



US00D841743S

(12) **United States Design Patent**  
**Barajas et al.**

(10) **Patent No.:** **US D841,743 S**

(45) **Date of Patent:** **\*\* Feb. 26, 2019**

- (54) **MODEL VEHICLE BODY**
- (71) Applicant: **TRAXXAS LP**, McKinney, TX (US)
- (72) Inventors: **Jaime Felix Barajas**, Dallas, TX (US);  
**Kent Poteet**, Lucas, TX (US)
- (73) Assignee: **TRAXXAS LP**, McKinney, TX (US)
- (\*\*) Term: **15 Years**

D567,301 S *	4/2008	Idiot .....	D21/549
D603,295 S *	11/2009	Honeycutt .....	D12/86
D605,083 S *	12/2009	Manoogian, II .....	D12/86
D612,767 S *	3/2010	Barkan .....	D12/86
D728,037 S *	4/2015	Barajas .....	D21/548
D769,378 S *	10/2016	Belker .....	D21/549
D770,575 S *	11/2016	Belker .....	D21/549
D771,202 S *	11/2016	Gan .....	D21/552
D771,203 S *	11/2016	Gan .....	D21/552
D792,526 S *	7/2017	Belker .....	D21/561
D802,685 S *	11/2017	Barajas .....	D21/562

\* cited by examiner

- (21) Appl. No.: **29/613,665**
- (22) Filed: **Aug. 11, 2017**
- (51) **LOC (11) Cl.** ..... **21-01**
- (52) **U.S. Cl.**  
USPC ..... **D21/548**; D12/86
- (58) **Field of Classification Search**  
USPC ..... D12/86, 88, 90-92, 164, 173, 184-186,  
D12/190, 196; D21/419, 421, 423,  
D21/424-426, 433-434, 548, 549, 550,  
D21/552, 559, 561  
CPC .... A63H 17/26; A63H 17/262; A63H 17/264;  
A63H 17/266; A63H 17/36; A63H 17/38;  
A63H 29/00; A63H 29/22; A63H 29/24;  
A63H 30/04  
See application file for complete search history.

*Primary Examiner* — Robin V Webster

*Assistant Examiner* — Keith J Wilson

(74) *Attorney, Agent, or Firm* — Daryl R. Wright; Greg Carr

(57) **CLAIM**

We claim the ornamental design for a model vehicle body, as shown and described.

**DESCRIPTION**

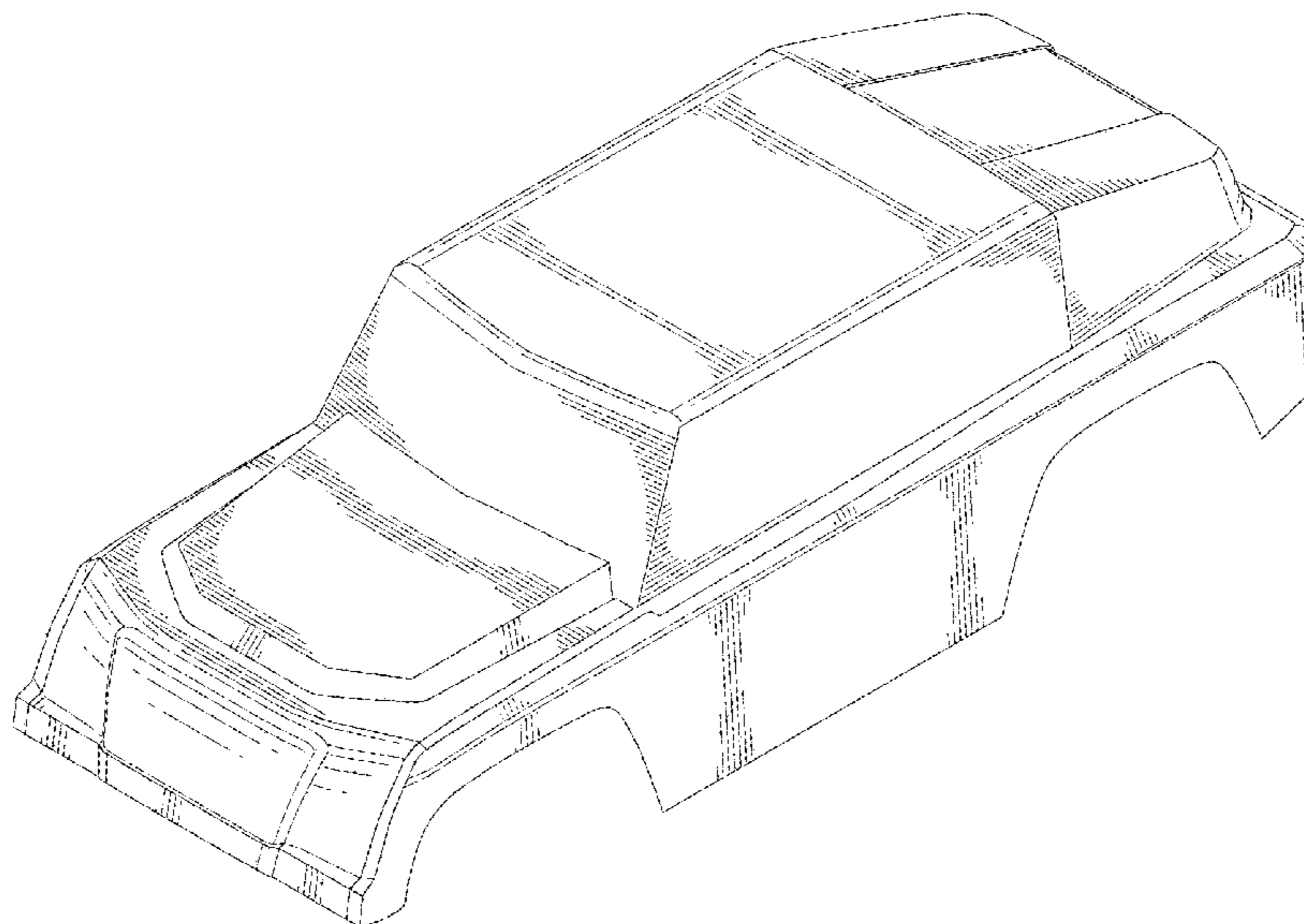
FIG. 1 is a top, left, front perspective view of a model vehicle body;  
 FIG. 2 is front elevation view thereof;  
 FIG. 3 is a rear elevation view thereof;  
 FIG. 4 is a left side elevation view thereof;  
 FIG. 5 is a right side elevation view thereof;  
 FIG. 6 is a top plan view thereof;  
 FIG. 7 is a bottom plan view thereof; and,  
 FIG. 8 is a top, right, rear perspective view.  
 In the drawings, the broken line showing of features of the body for a model vehicle illustrate portions of the body for a model vehicle that form no part of the claimed design.

(56) **References Cited**

**U.S. PATENT DOCUMENTS**

D277,494 S *	2/1985	Lerch .....	D21/559
D281,000 S *	10/1985	Kuna .....	D21/559
D496,409 S *	9/2004	Tilbor .....	D21/559
D547,249 S *	7/2007	Kurtz .....	D12/190
D566,789 S *	4/2008	Idiot .....	D21/552
D566,790 S *	4/2008	Idiot .....	D21/552

**1 Claim, 7 Drawing Sheets**



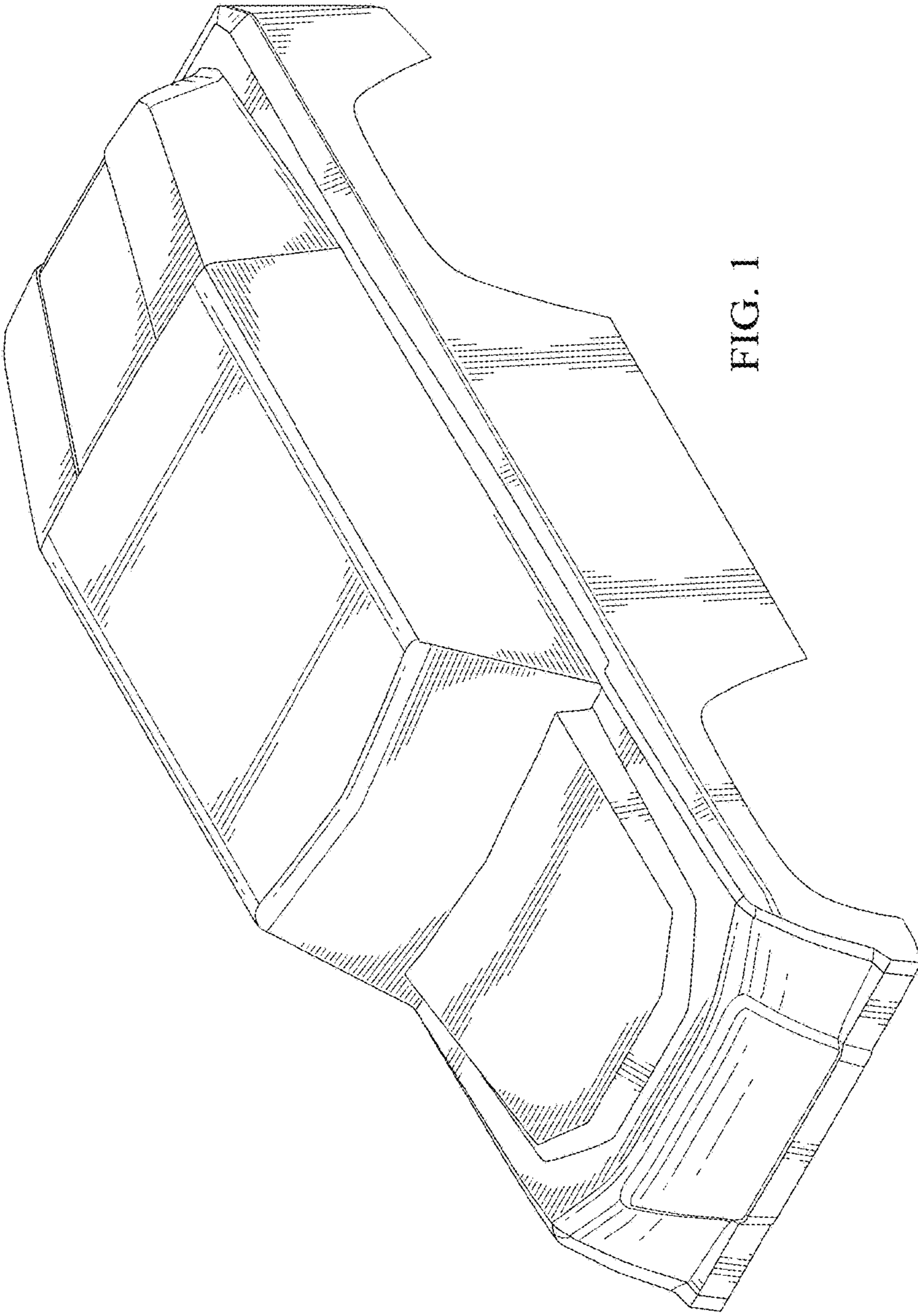


FIG. 1

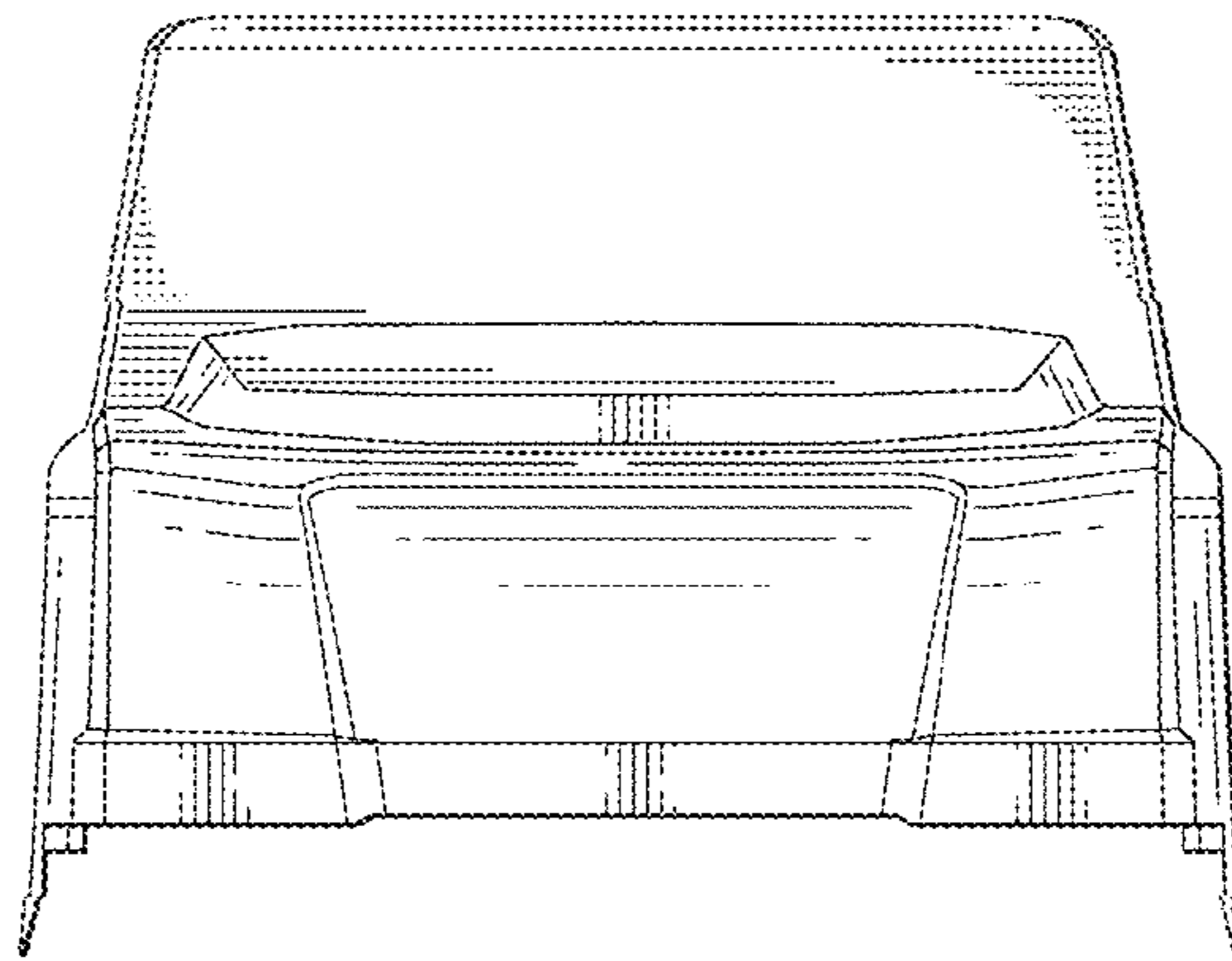


FIG. 2

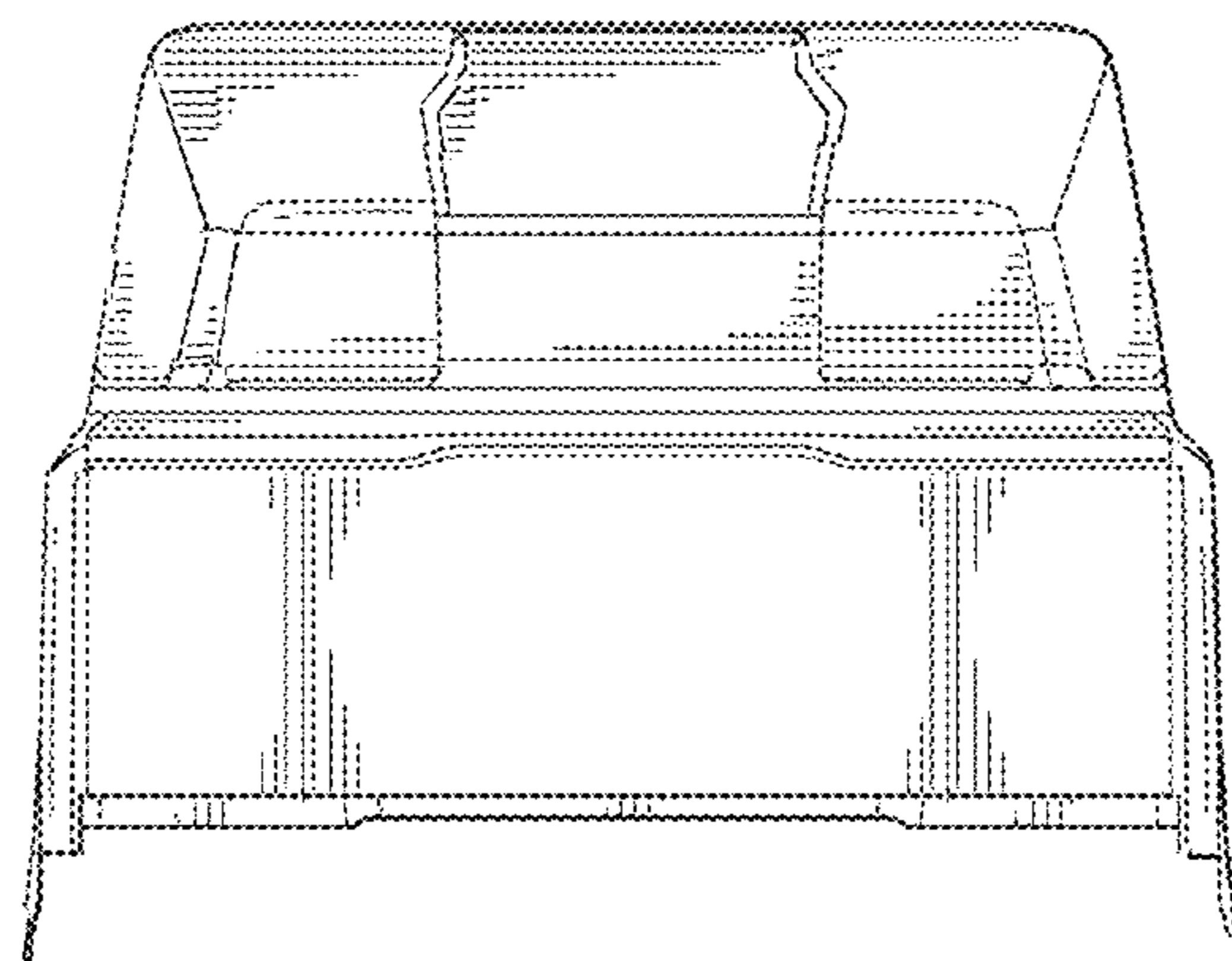


FIG. 3

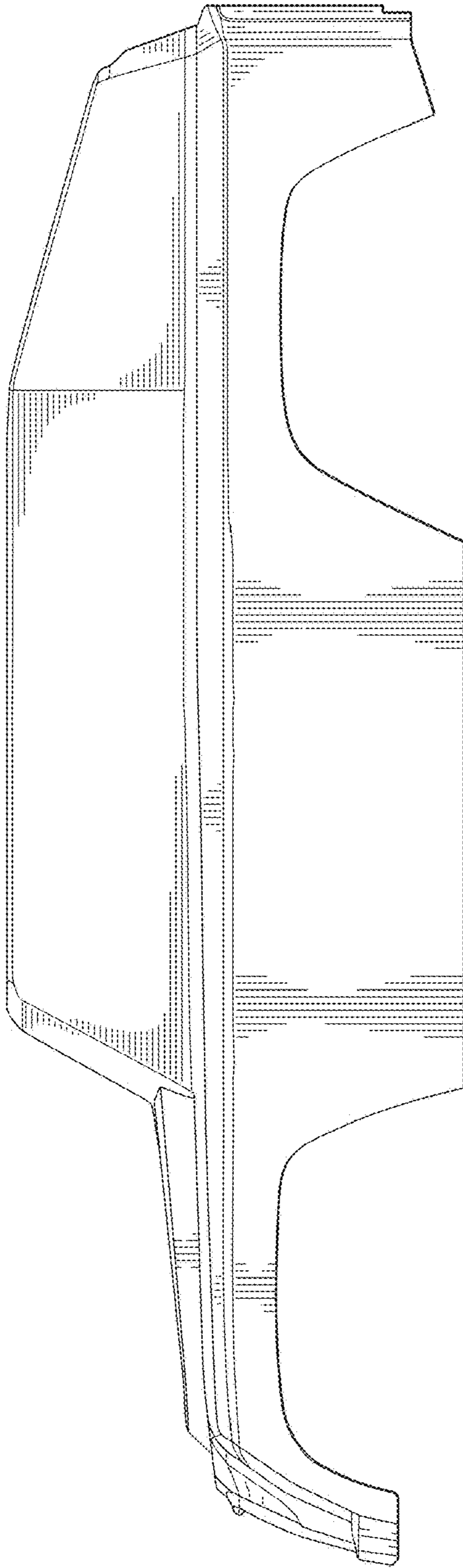


FIG. 4



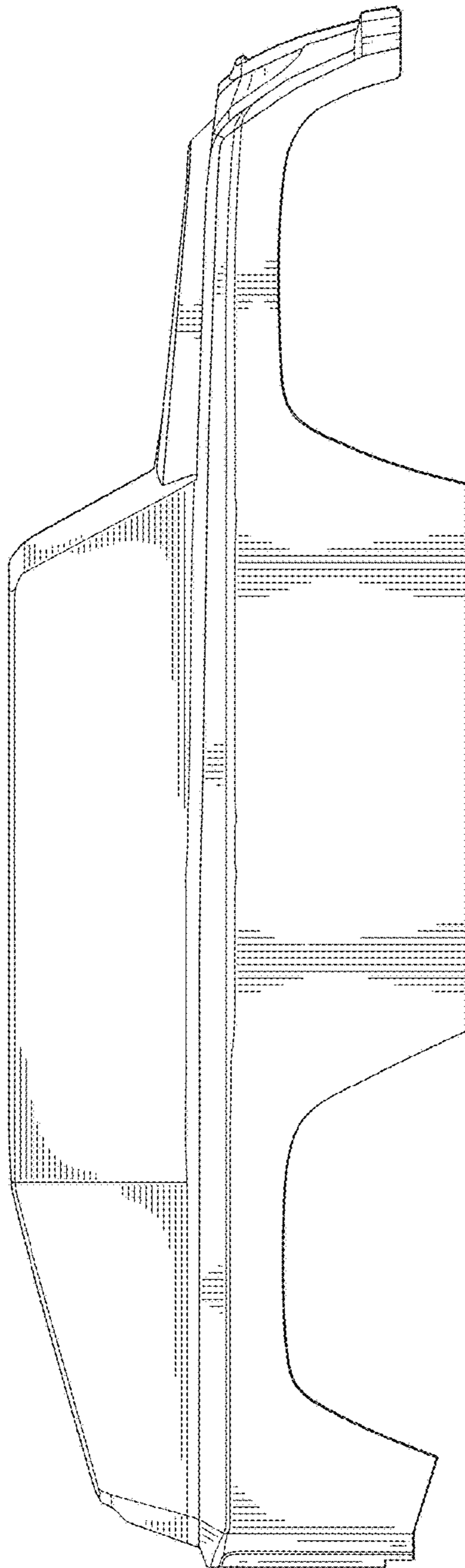


FIG. 5

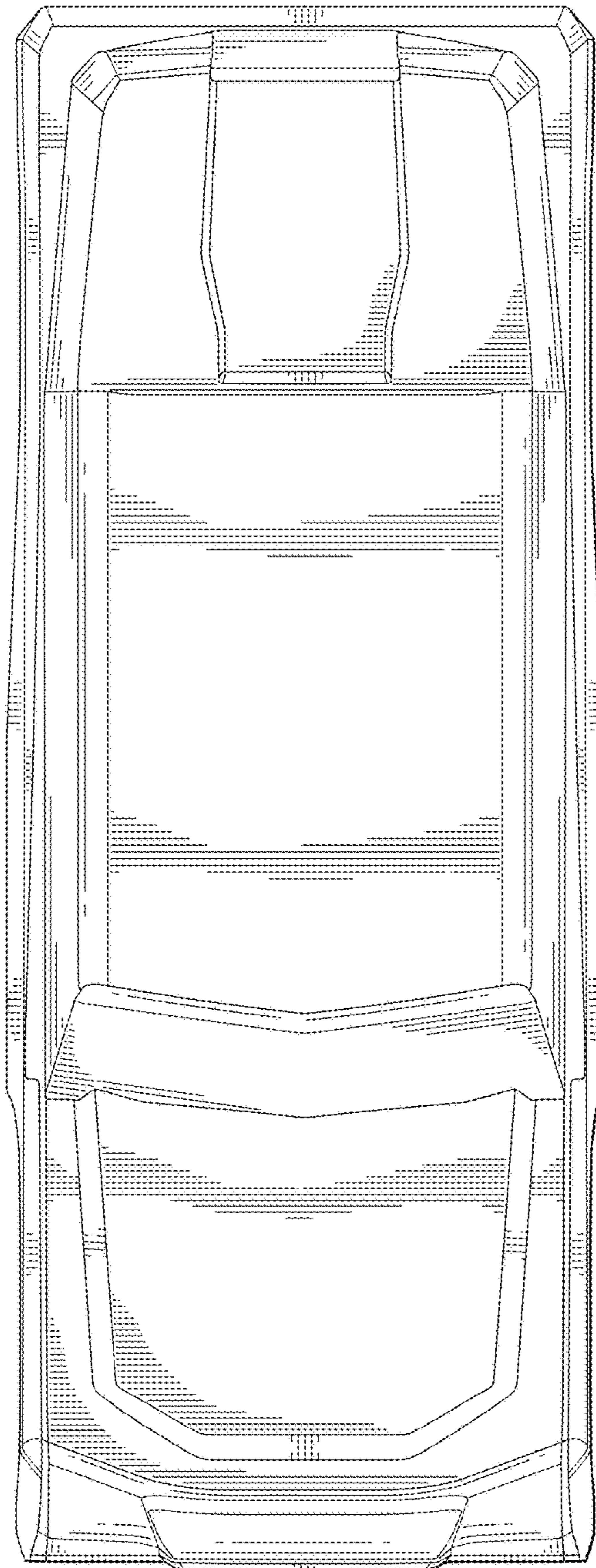


FIG. 6

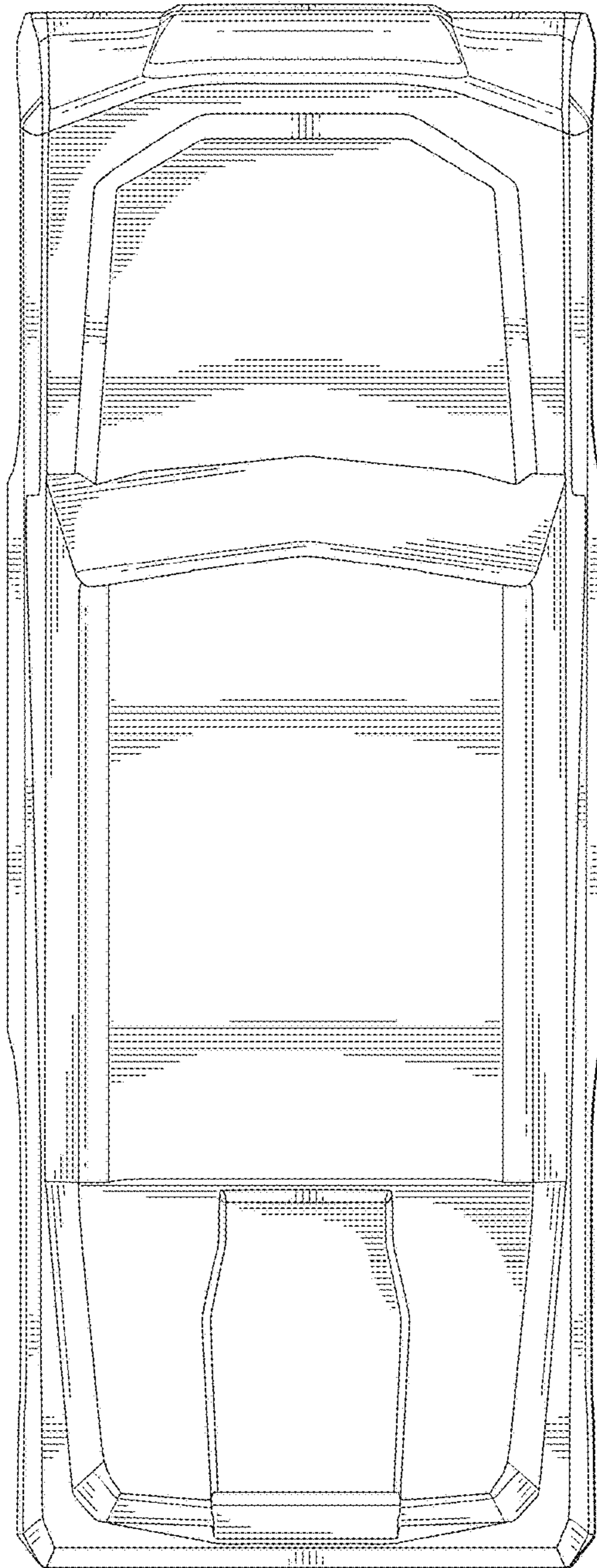


FIG. 7

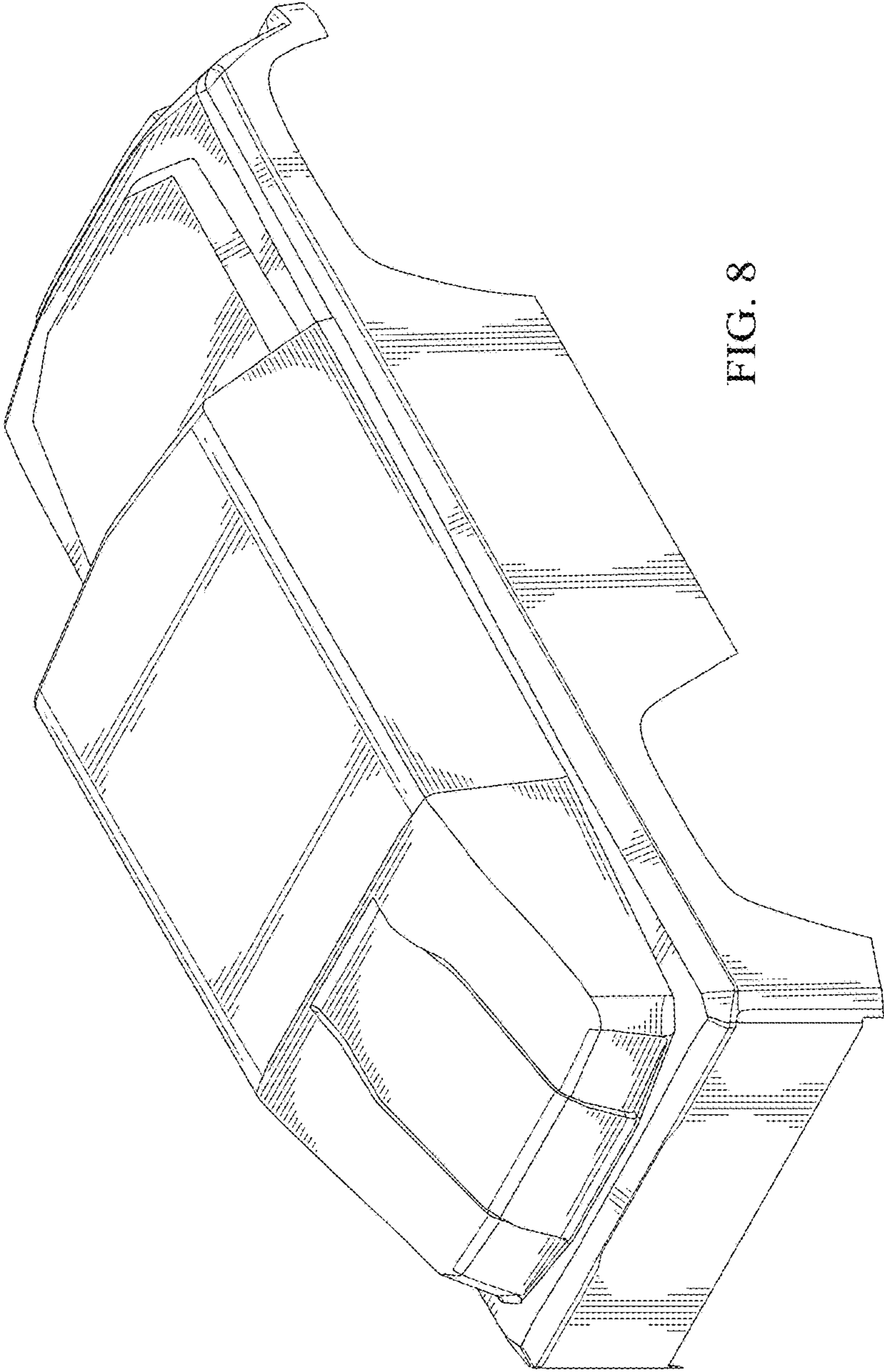


FIG. 8