



US00D841741S

(12) **United States Design Patent** (10) **Patent No.:** **US D841,741 S**
White (45) **Date of Patent:** **** Feb. 26, 2019**

(54) **DOUBLE AISLE SIGN BASE**
(71) Applicant: **Michael J. White**, Ripon, WI (US)
(72) Inventor: **Michael J. White**, Ripon, WI (US)
(73) Assignee: **K-International, Inc.**, Waukegan, IL (US)
(**) Term: **15 Years**
(21) Appl. No.: **29/570,969**
(22) Filed: **Jul. 13, 2016**
(51) **LOC (11) Cl.** **20-03**
(52) **U.S. Cl.**
USPC **D20/43**; D20/10
(58) **Field of Classification Search**
USPC D20/10, 11, 21-28, 37, 39-42, 99, 43;
D8/349
CPC G09F 1/00; G09F 1/02; G09F 2003/023;
G09F 2003/0261; G09F 2003/0208; G09F
2003/0264; G09F 7/00; G09F 3/206;
G09F 13/00; G09F 2007/1807; G09F
13/04; G09F 2013/0427; G09F
2013/0495; G09F 7/04; G09D 3/00
See application file for complete search history.

(56) **References Cited**
U.S. PATENT DOCUMENTS
D45,360 S * 3/1914 Vail D8/349
1,417,325 A * 5/1922 Hopp G09F 3/20
24/457

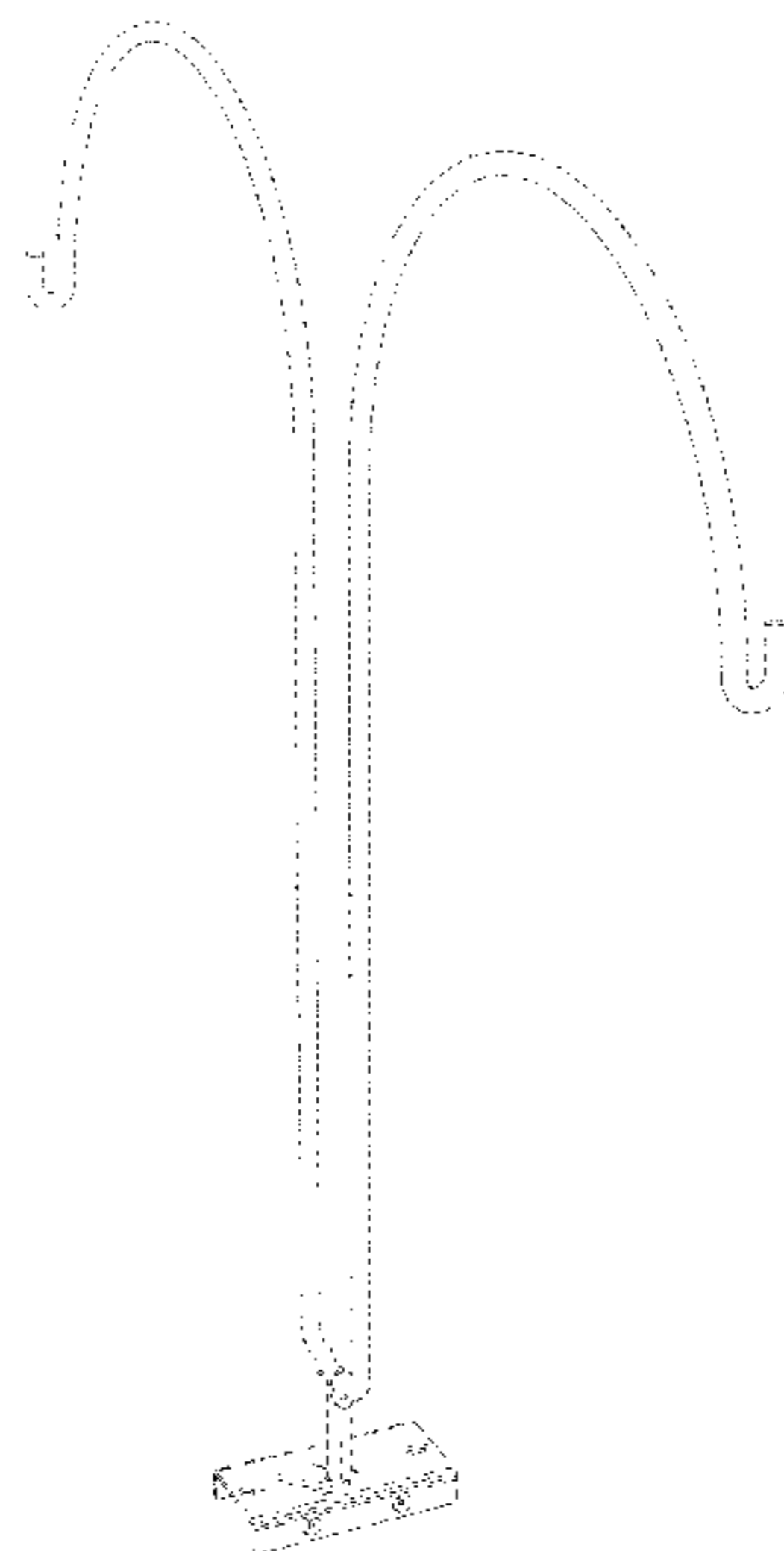
(Continued)

Primary Examiner — Mary Ann Calabrese
Assistant Examiner — Sloan Rozin
(74) *Attorney, Agent, or Firm* — Schiff Hardin LLP

(57) **CLAIM**
The ornamental design of a double aisle sign base, as shown and described.

DESCRIPTION
FIG. 1 is a perspective view taken from the top, front, left side of the double aisle sign base supporting two sign holders of a first type mounted in the double aisle sign base; FIG. 2 is a perspective view taken from the top, front, left side of the double aisle sign base supporting two sign holders of a second type mounted in the double aisle sign base; FIG. 3 is a perspective view taken from the top, front, left side of the double aisle sign base showing my new design according to a first embodiment; FIG. 4 is a perspective view taken from the bottom, back, right side thereof; FIG. 5 is an elevational view of the left side thereof; FIG. 6 is an elevational view of the right side thereof; FIG. 7 is an elevational view of the front thereof; FIG. 8 is an elevational view of the back thereof; FIG. 9 is a top plan view thereof; FIG. 10 is a bottom plan thereof; FIG. 11 is a perspective view taken from the top, front, left side of the double aisle sign base showing my new design according to a second embodiment; FIG. 12 is a perspective view taken from the bottom, back, right side of the double aisle sign base according to the second embodiment; FIG. 13 is an elevational view of the left side according to the second embodiment; FIG. 14 is an elevational view of the right side according to the second embodiment; FIG. 15 is an elevational view of the front of the second embodiment; FIG. 16 is an elevational view of the back of the second embodiment; FIG. 17 is a top plan view of the second embodiment; and, FIG. 18 is a bottom plan view of the second embodiment. The broken lines show features of the double aisle sign base that form no part of the claimed design.

1 Claim, 10 Drawing Sheets



(56)

References Cited

U.S. PATENT DOCUMENTS

D241,311	S *	9/1976	Porter	40/658
4,677,780	A *	7/1987	Shuman	G09F 3/18
				211/DIG. 1
D314,911	S *	2/1991	Spica	D10/110
D357,505	S *	4/1995	Callas	D20/43
D366,066	S *	1/1996	Callas	D20/43
D447,775	S *	9/2001	McCormick	D20/43
D472,278	S *	3/2003	Valiulis	D20/43
D491,054	S *	6/2004	Caterinacci, Jr.	D8/381
D556,016	S *	11/2007	Curtas	D8/354
D626,180	S *	10/2010	Dallatezza	D20/42
D667,718	S *	9/2012	Preda	D8/354
D713,463	S *	9/2014	Dougherty	D20/43
D742,969	S *	11/2015	White	D20/43
D752,415	S *	3/2016	Lu	D8/349
9,305,475	B2 *	4/2016	White	G09F 21/04
D767,973	S *	10/2016	DeDios-Shirley	D8/349
9,534,731	B2 *	1/2017	White	F16M 13/02
D782,281	S *	3/2017	Kuo	D8/349
9,637,942	B2 *	5/2017	White	E04H 12/003
D803,320	S *	11/2017	Greenberg	D20/43
D811,512	S *	2/2018	Jenkinson	D22/108
2008/0307687	A1 *	12/2008	Nagel	B23P 13/04
				40/642.02
2013/0263486	A1 *	10/2013	Logan	G09F 7/18
				40/607.13

* cited by examiner

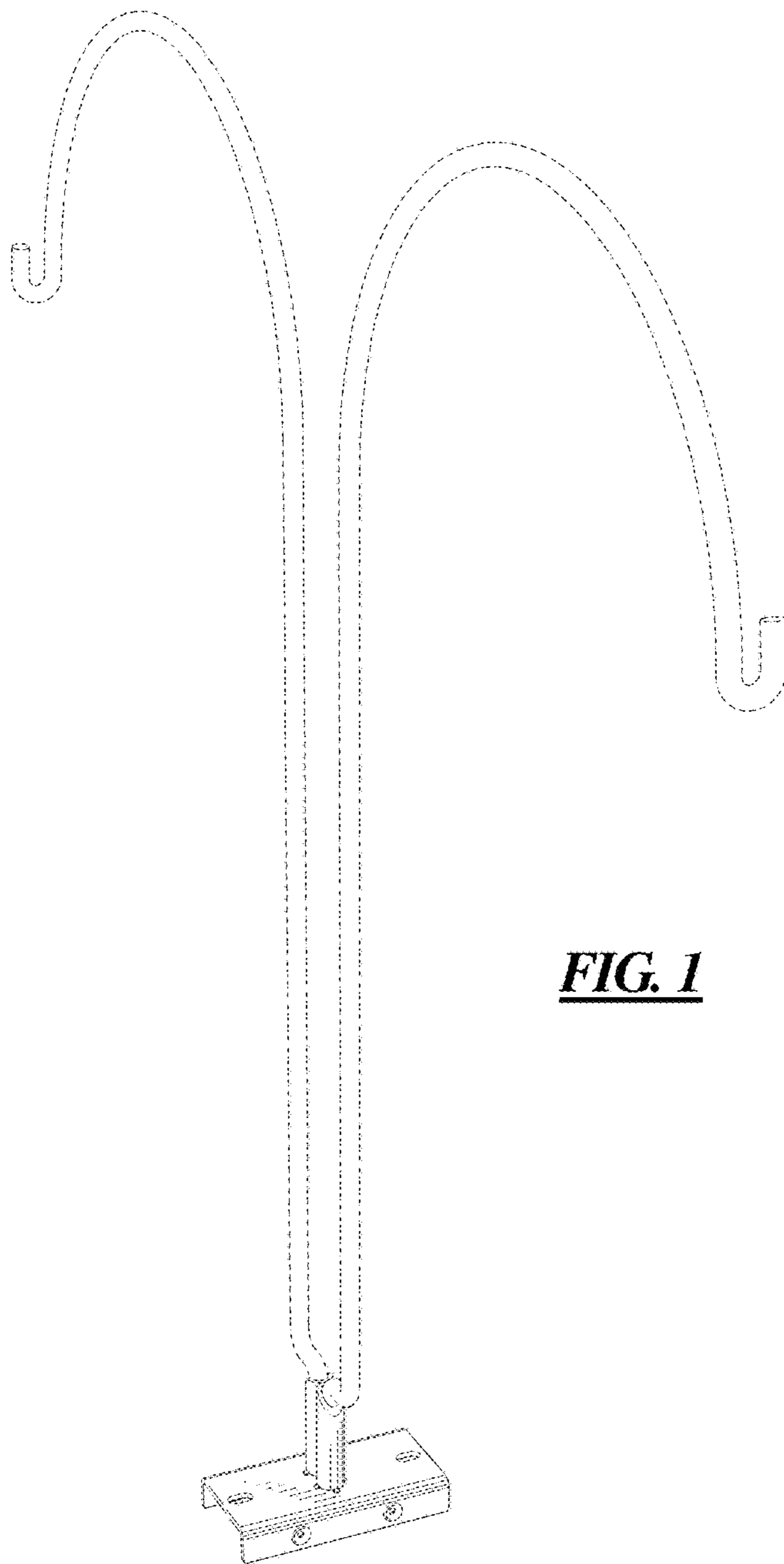
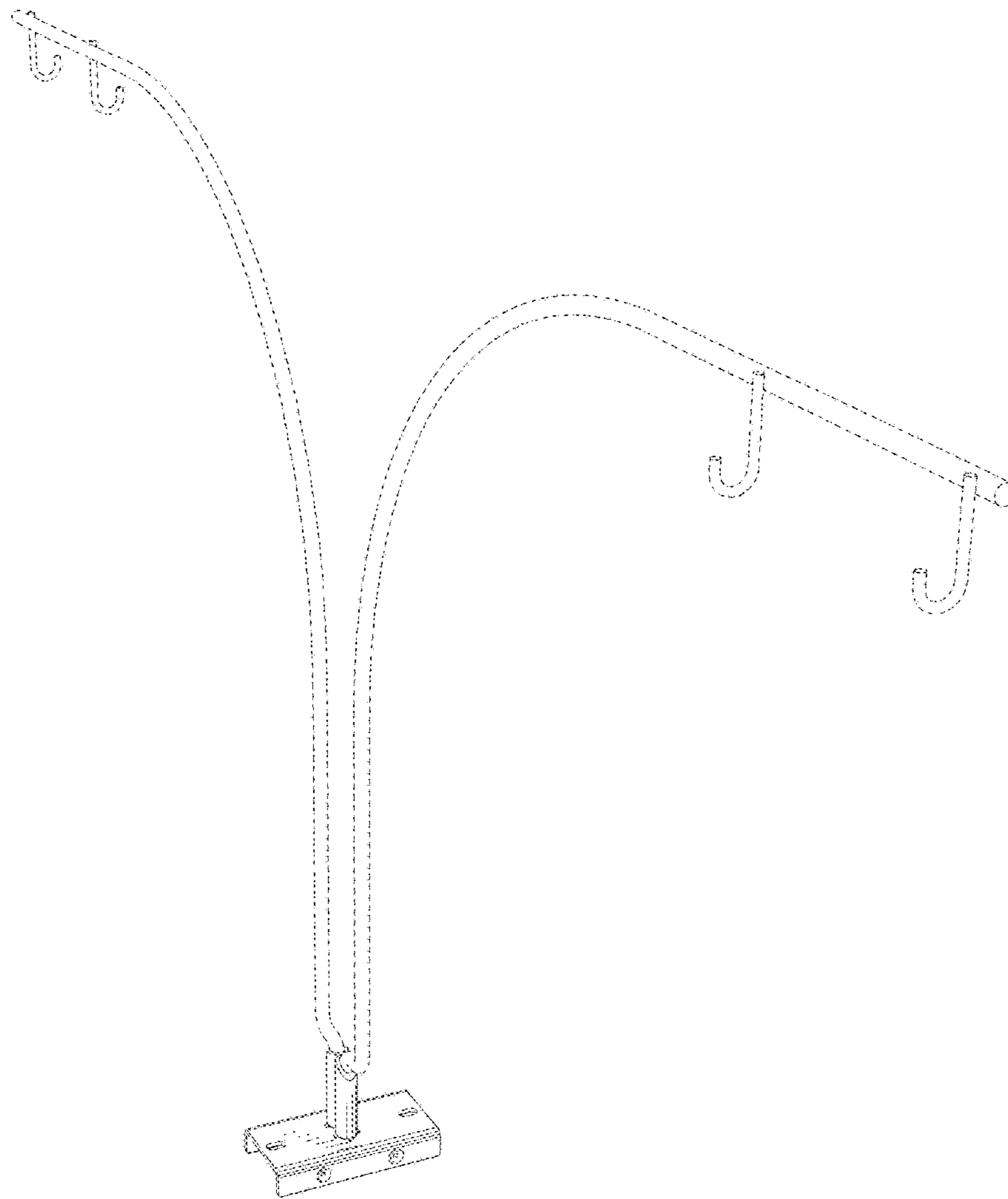


FIG. 1

FIG. 2



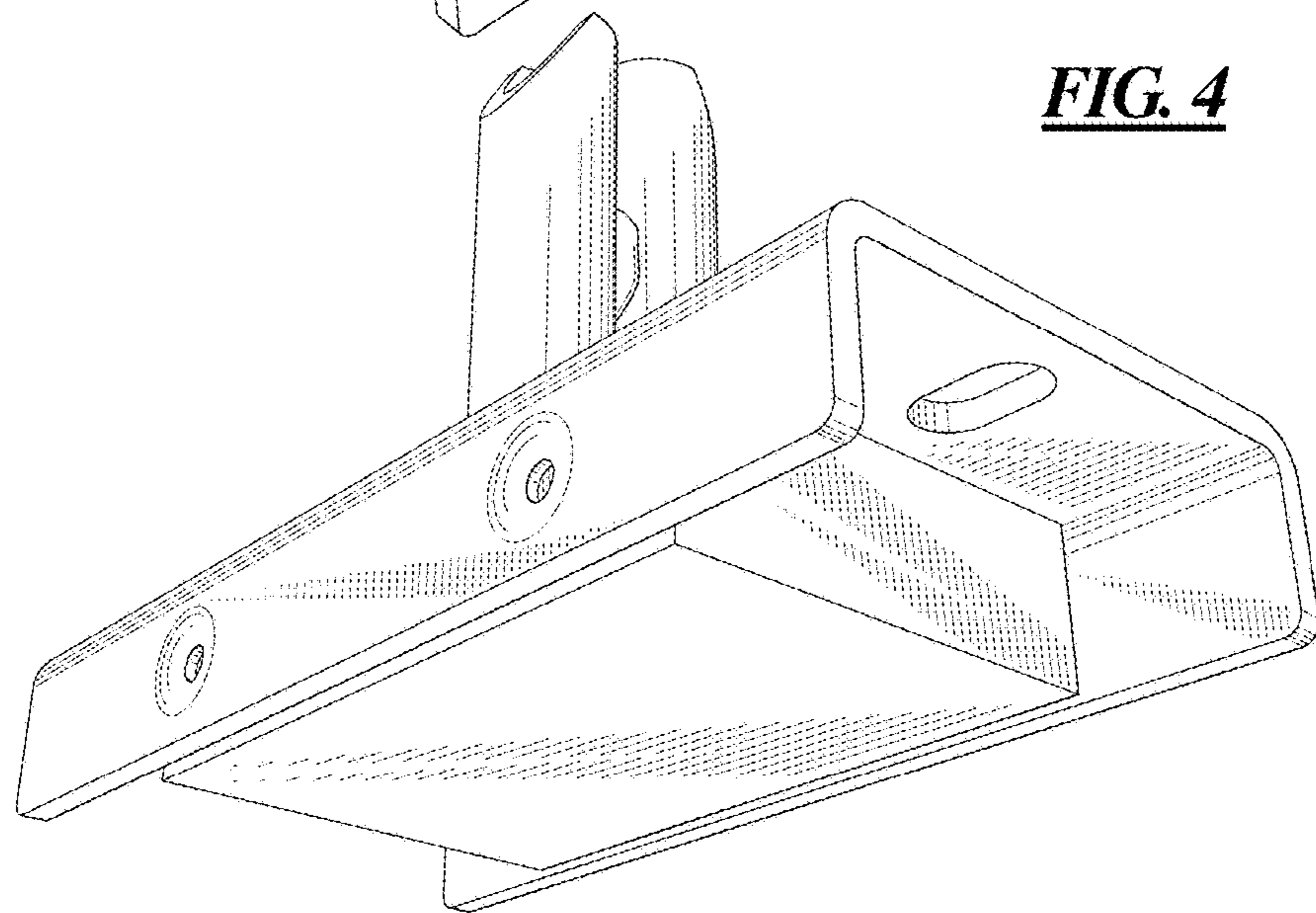
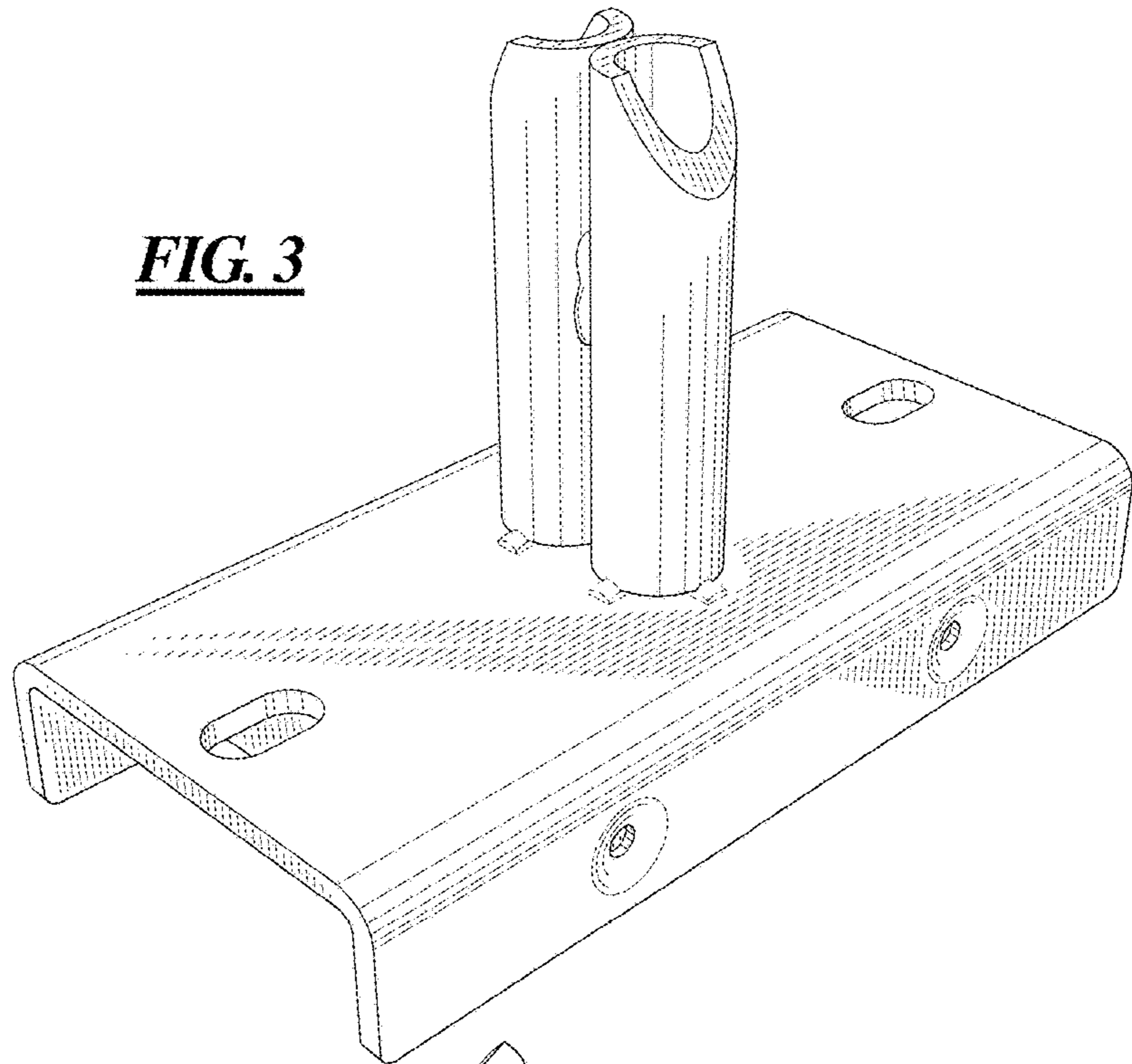


FIG. 5

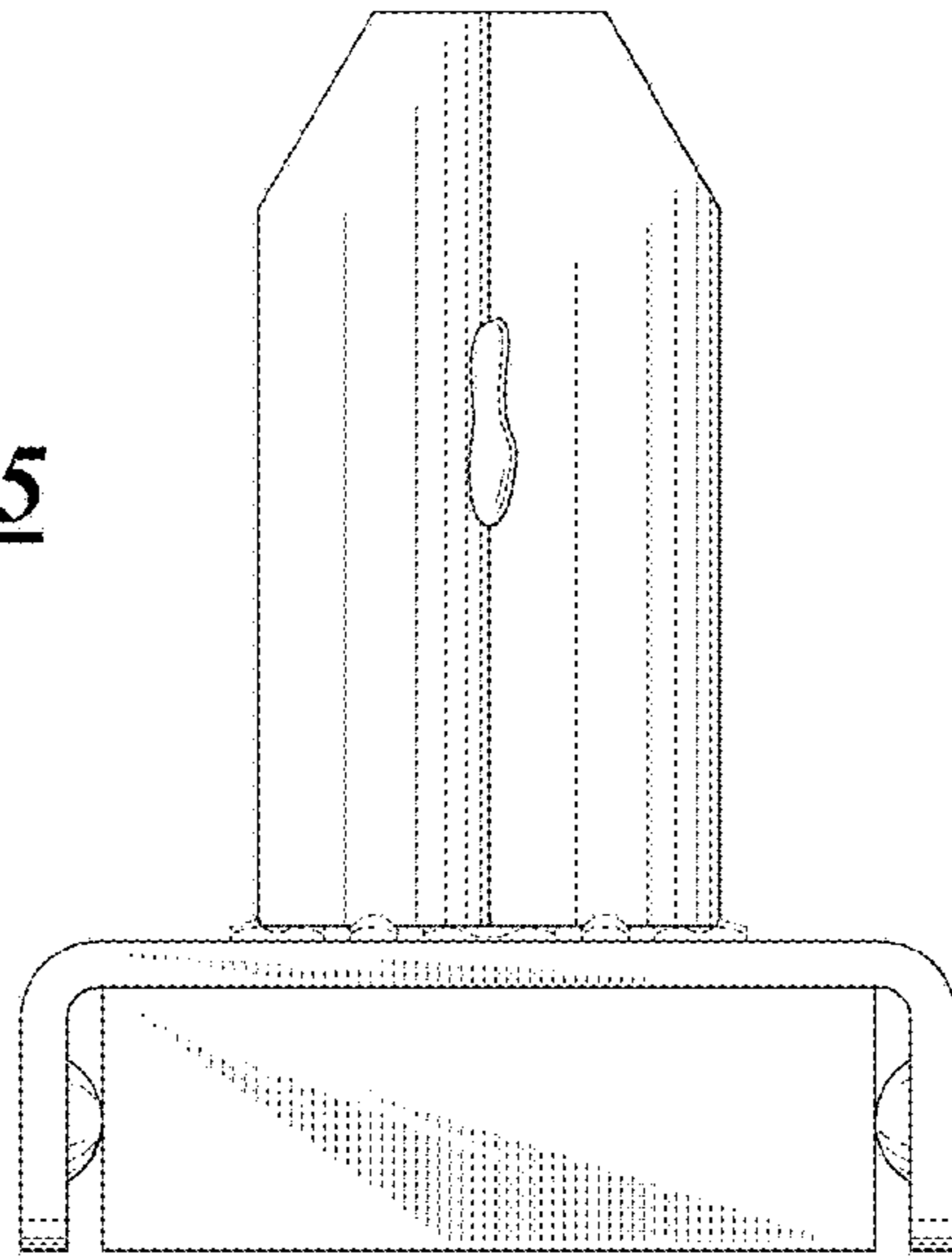
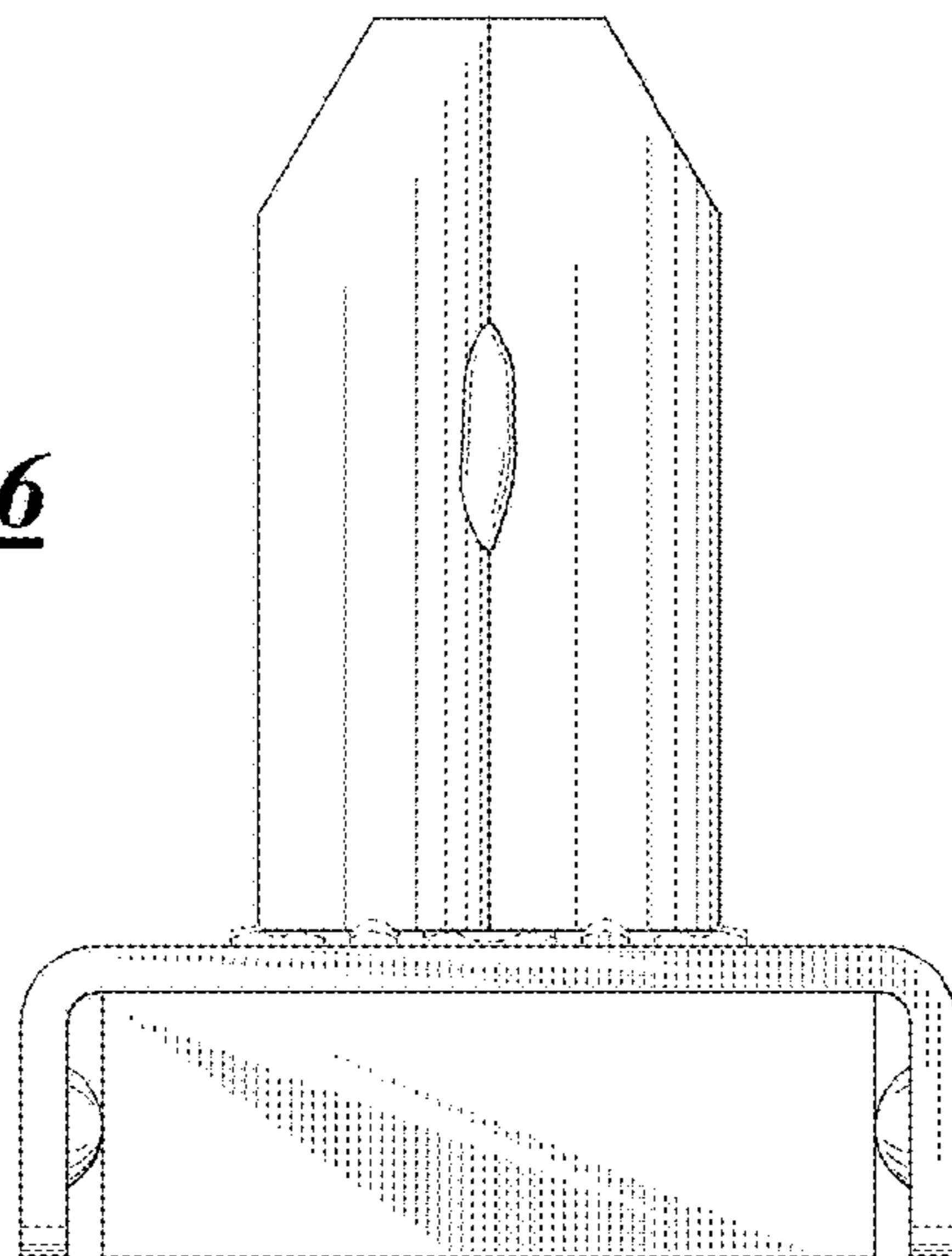


FIG. 6



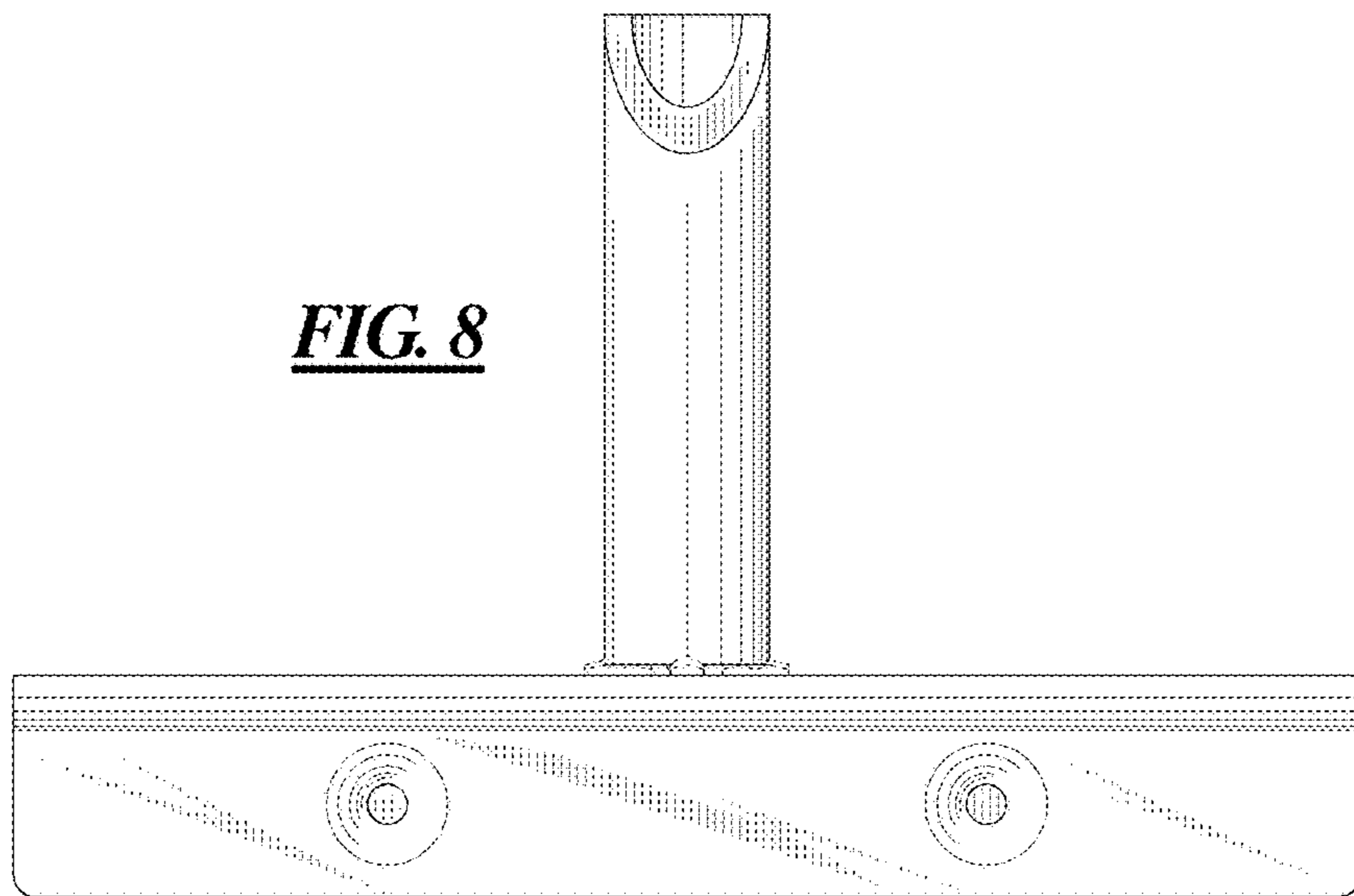
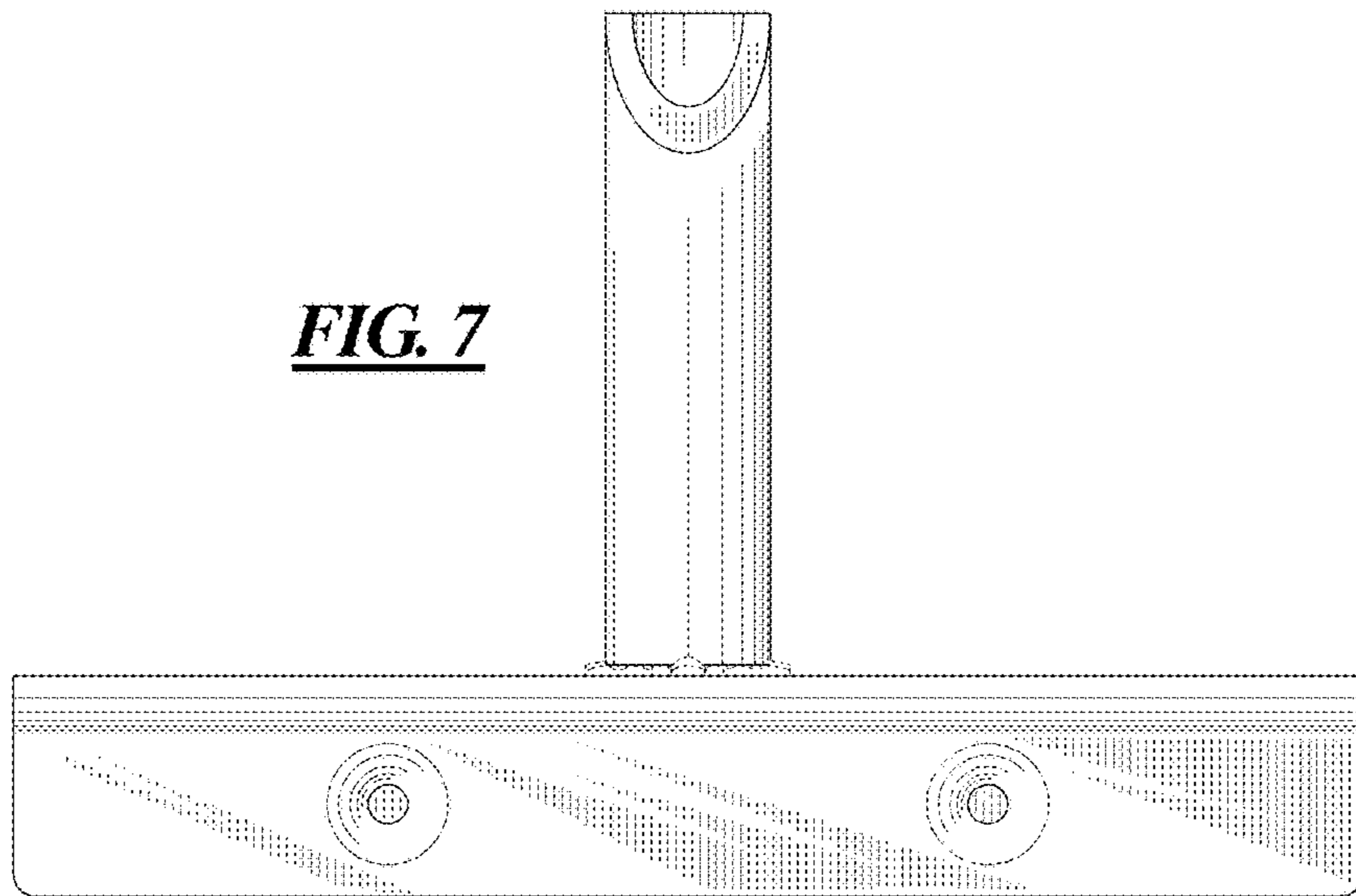


FIG. 9

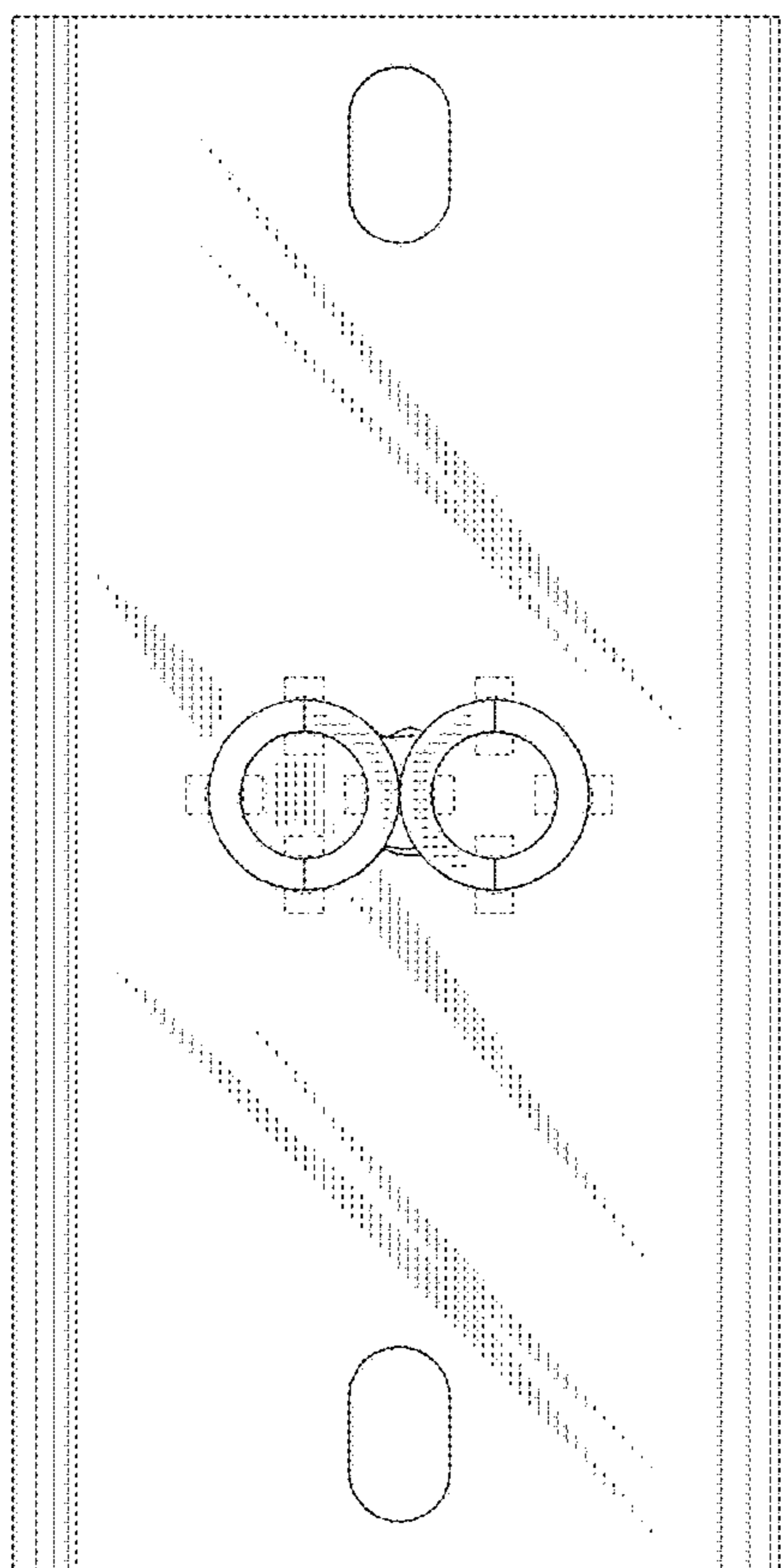
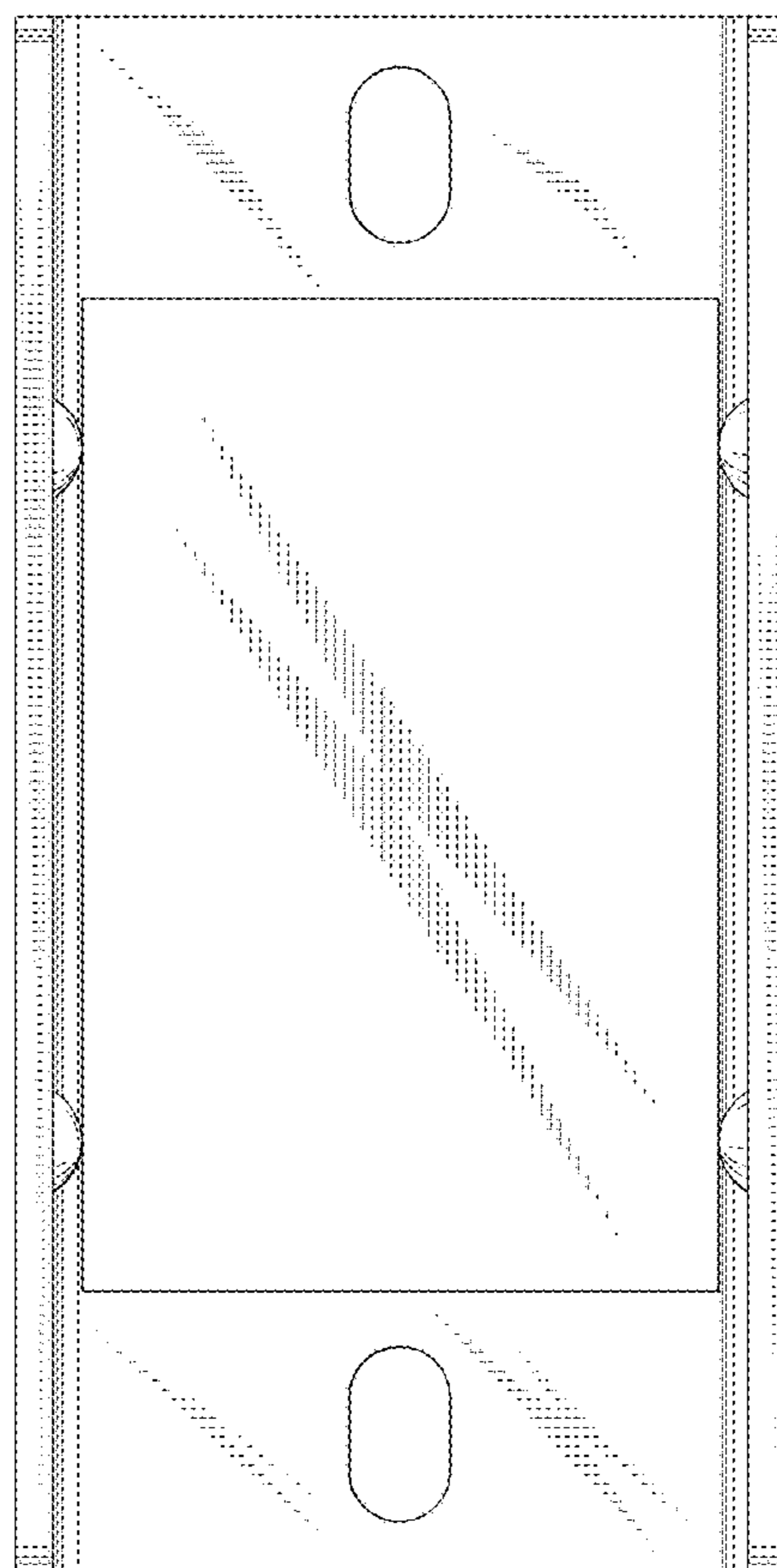


FIG. 10



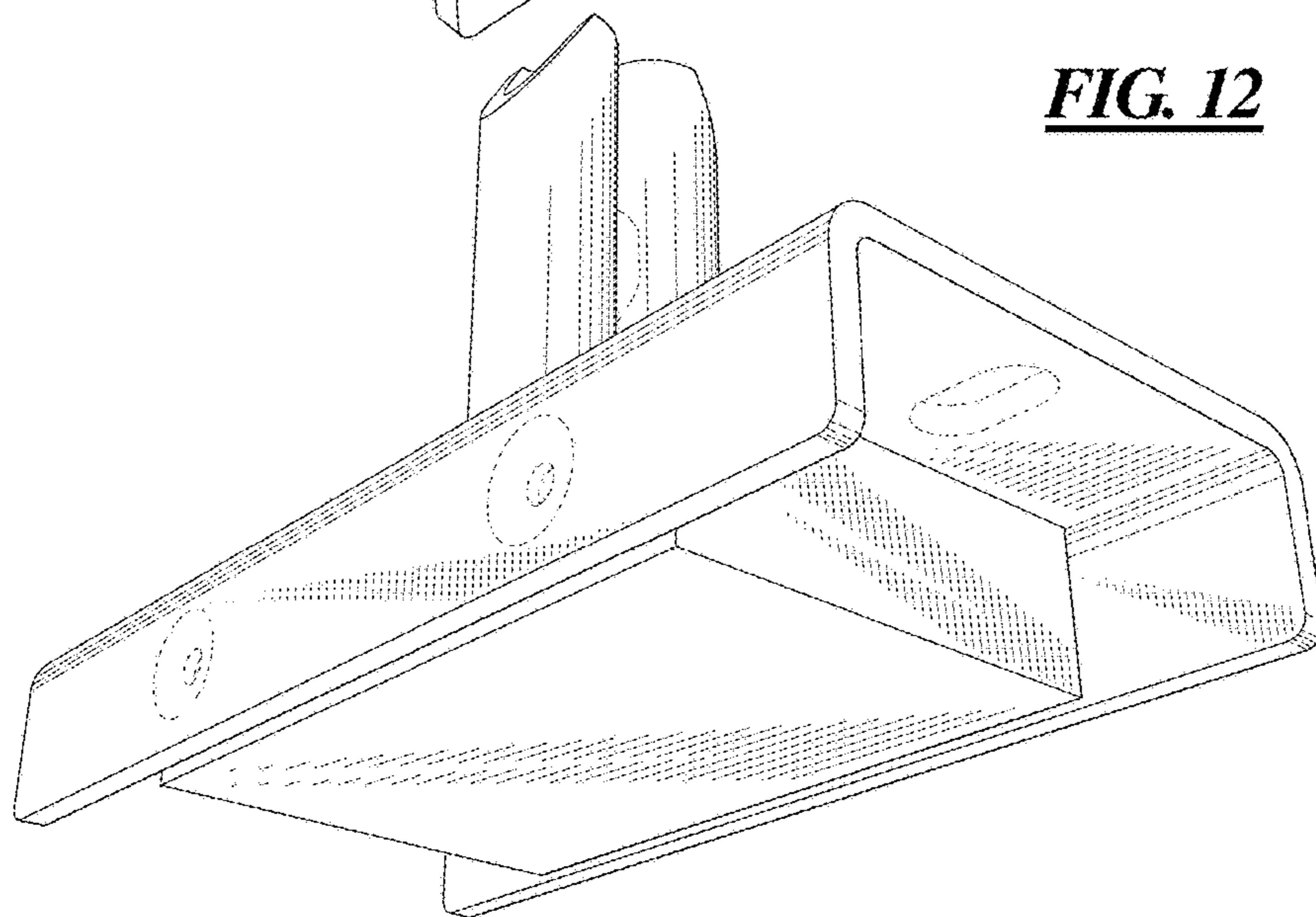
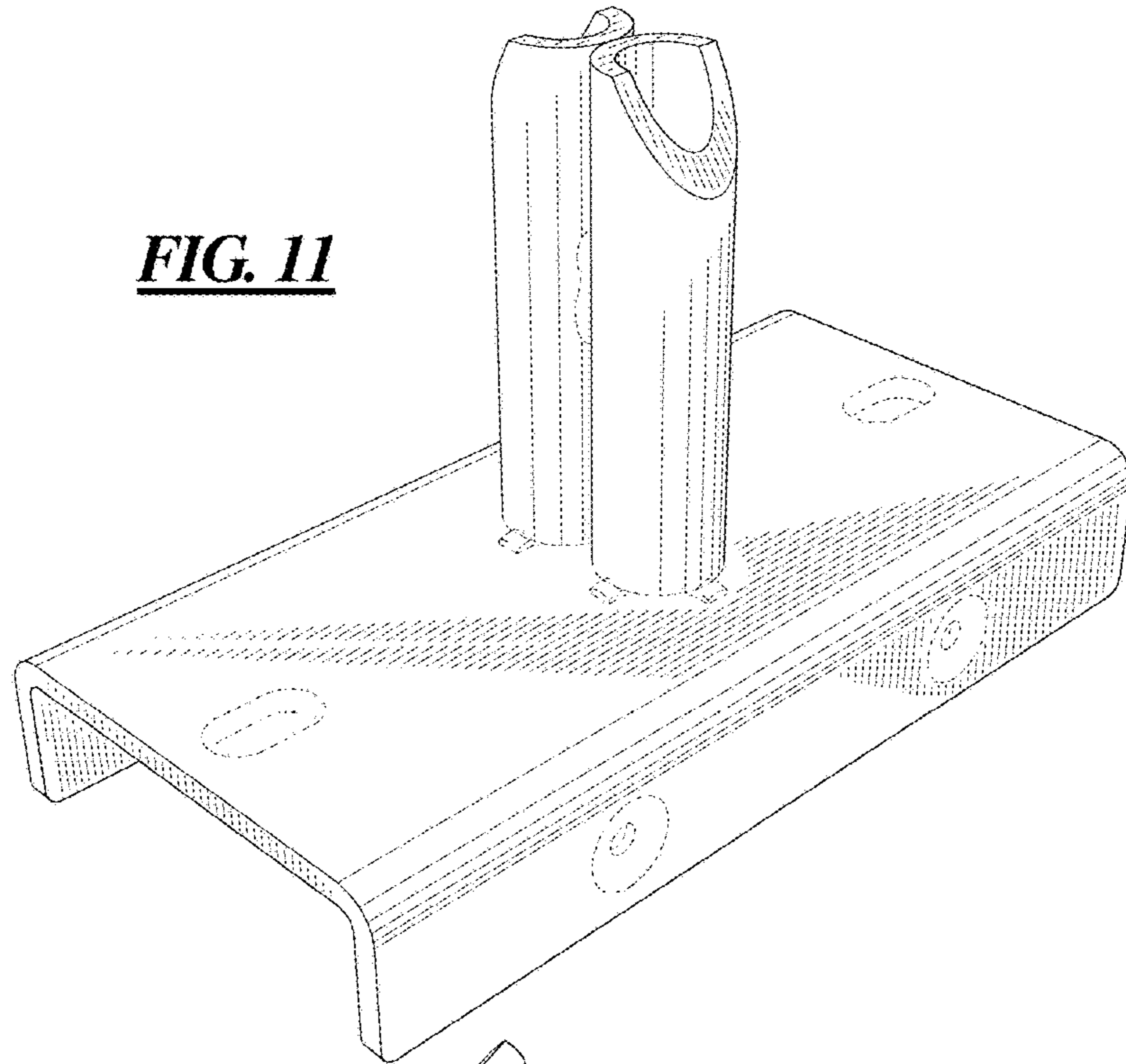


FIG. 13

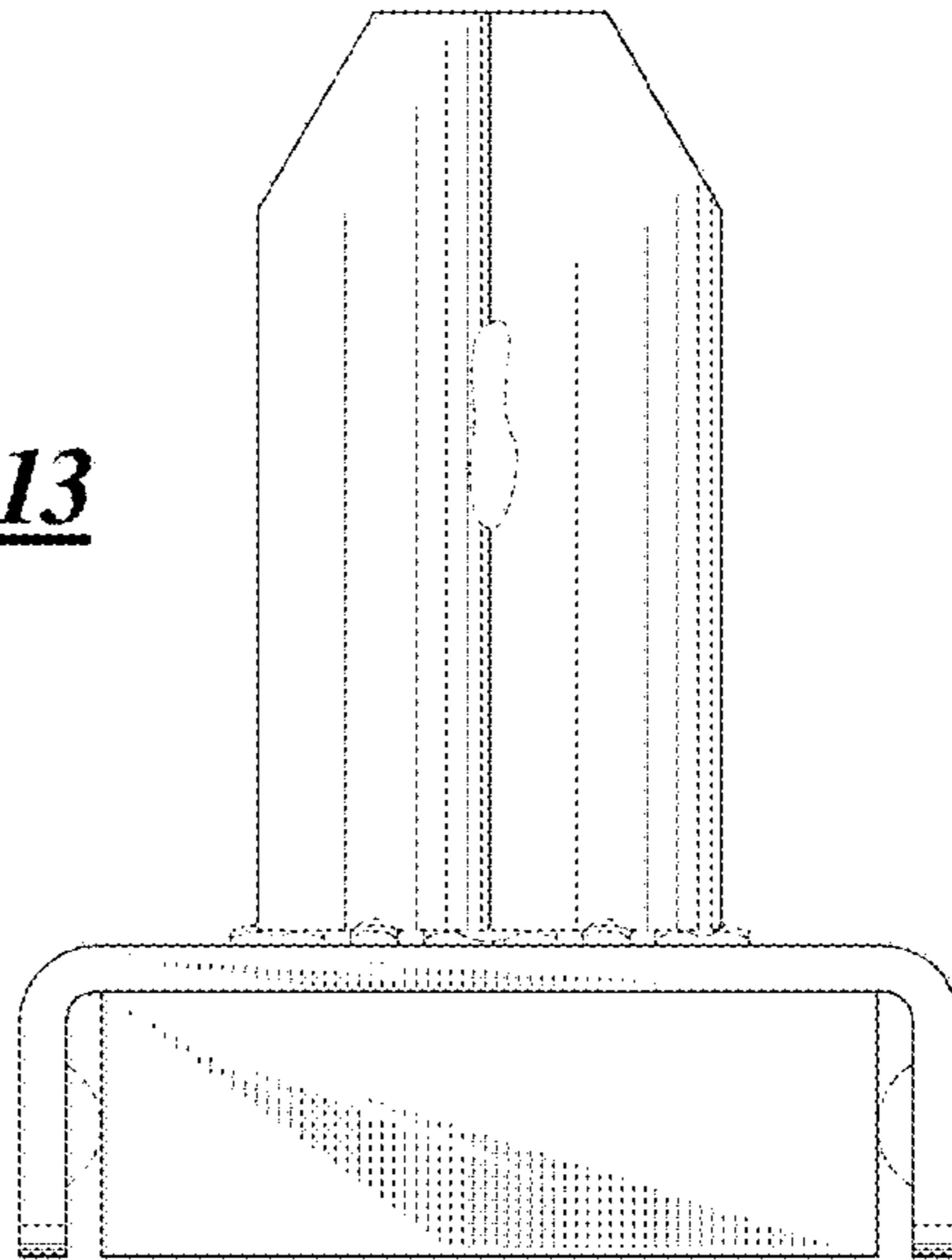
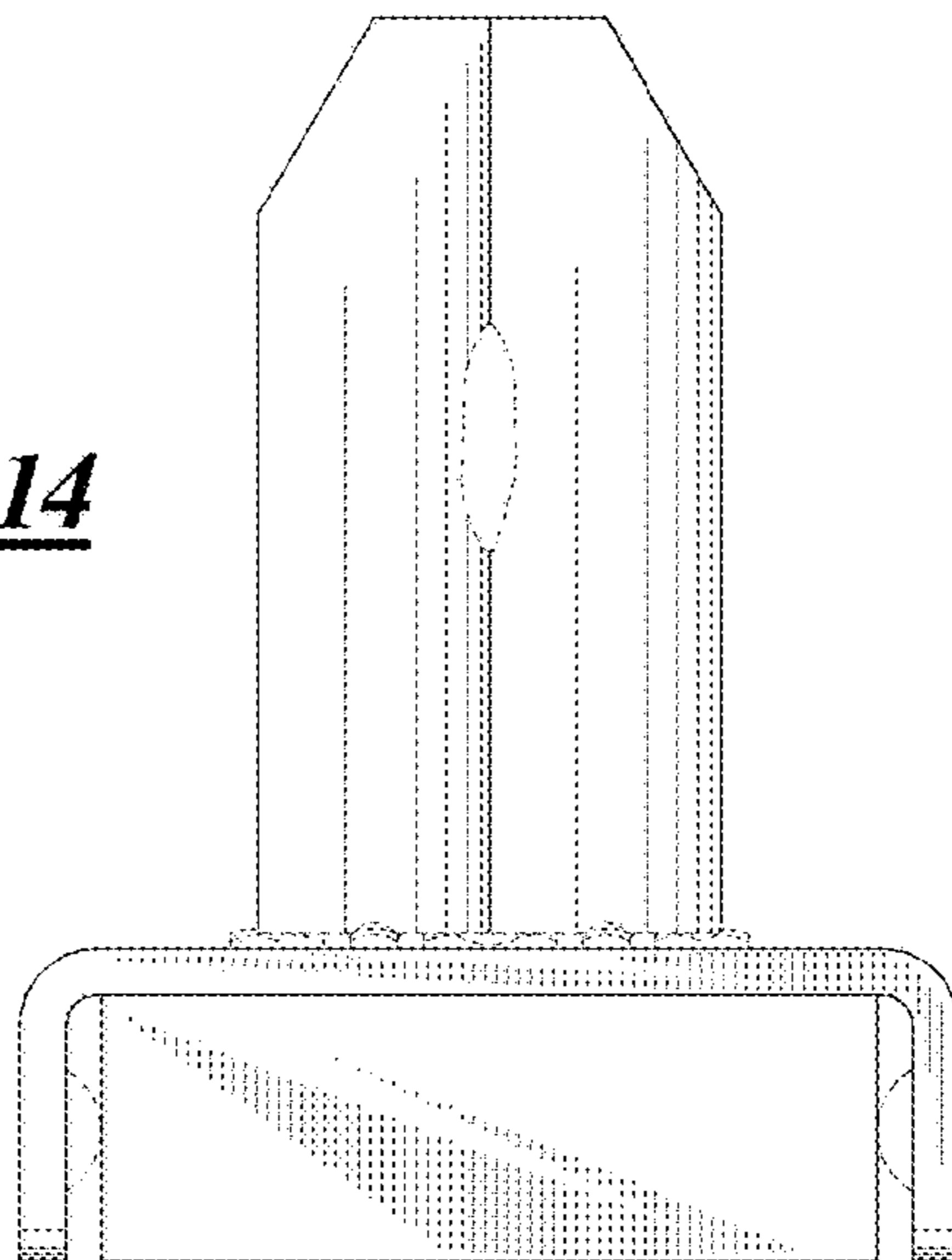


FIG. 14



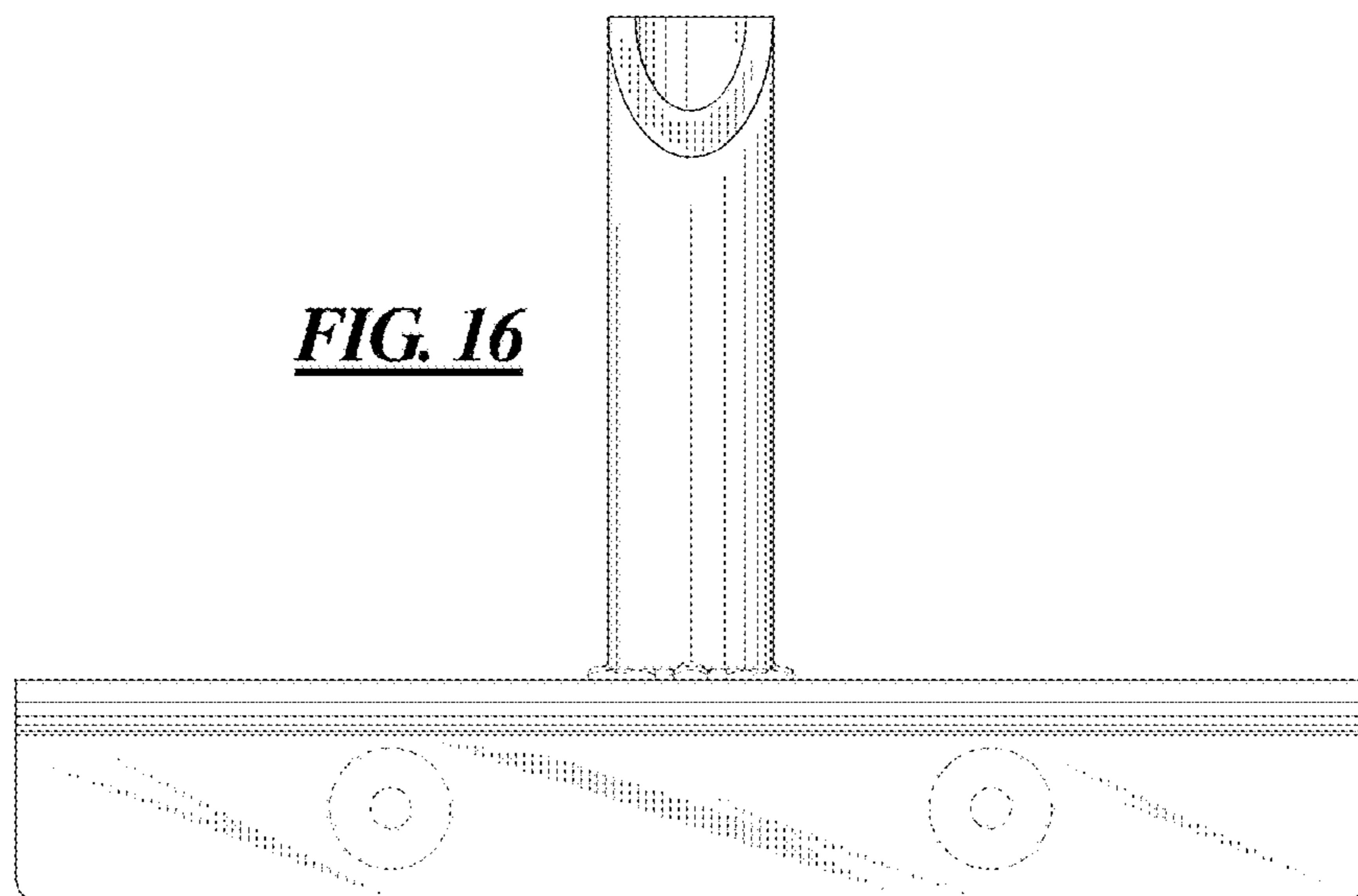
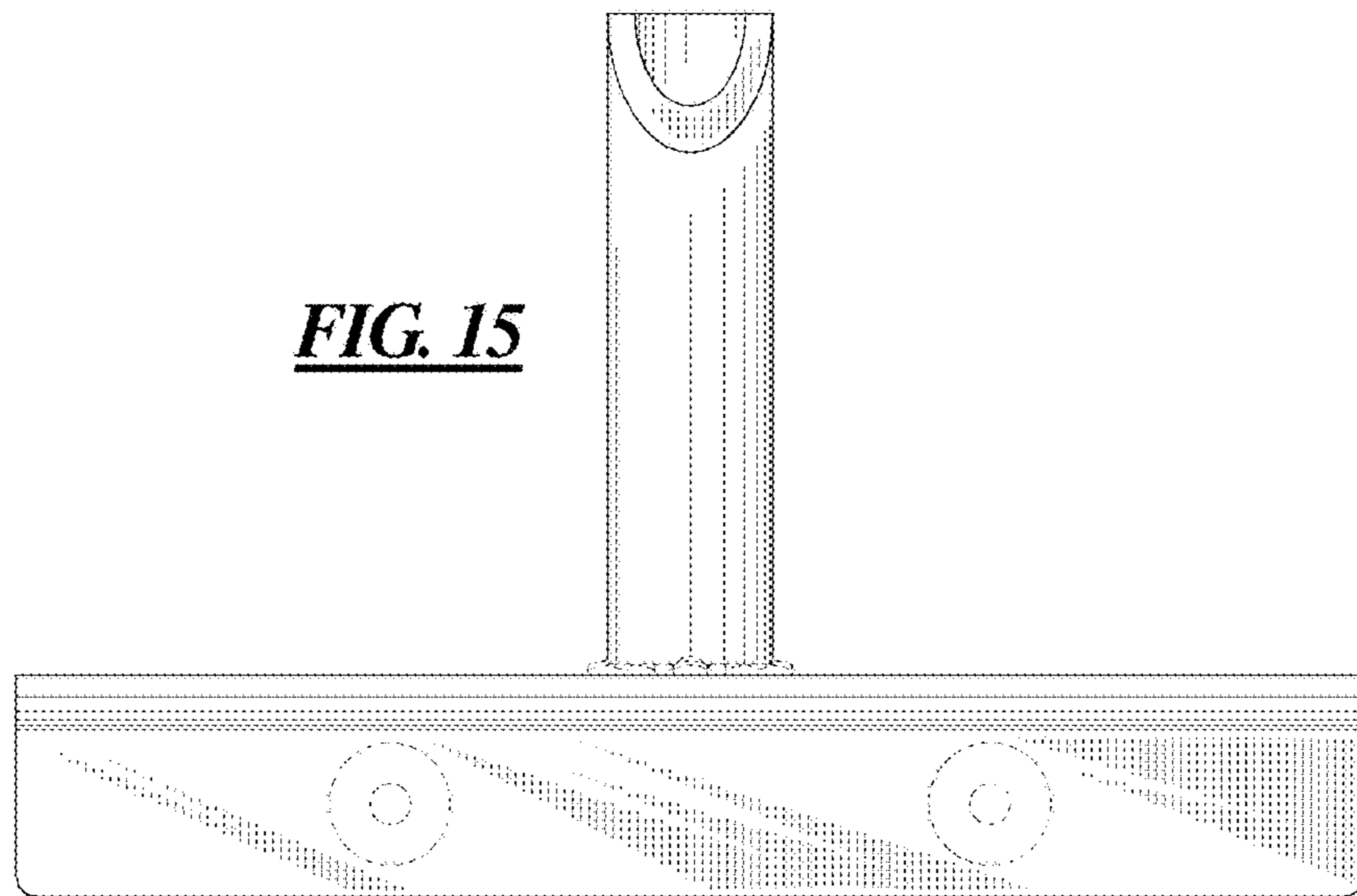


FIG. 17

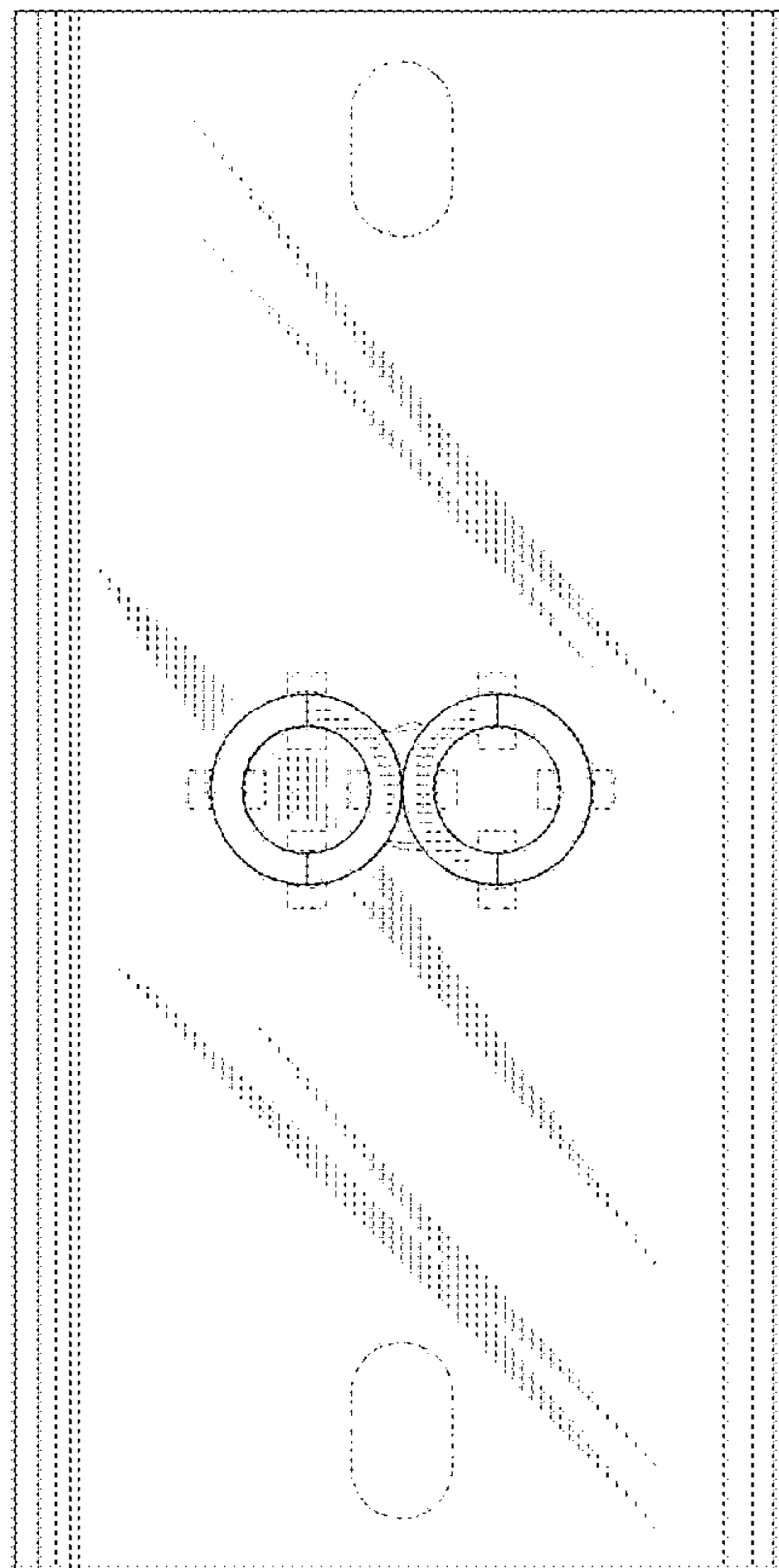


FIG. 18

