



US00D841736S

(12) **United States Design Patent**  
**Zhong**

(10) **Patent No.:** **US D841,736 S**

(45) **Date of Patent:** **\*\* Feb. 26, 2019**

- (54) **3D PEN**
- (71) Applicant: **Xionggen Zhong**, Pinjiang (CN)
- (72) Inventor: **Xionggen Zhong**, Pinjiang (CN)
- (\*\*) Term: **15 Years**
- (21) Appl. No.: **29/607,188**
- (22) Filed: **Jun. 12, 2017**
- (51) **LOC (11) Cl.** ..... **19-06**
- (52) **U.S. Cl.**  
USPC ..... **D19/142**
- (58) **Field of Classification Search**  
USPC ..... D14/411; D19/115-204; D9/609, 611;  
D21/588, 611, 617  
CPC . B43K 5/005; B43K 7/12; B43K 8/04; B43K  
8/06; B43K 19/00; B43K 19/02; B43K  
19/14; B43K 21/006; B43K 21/06  
See application file for complete search history.

- 5,310,380 A \* 5/1994 Levy ..... A63H 3/36  
446/320
- 5,489,050 A \* 2/1996 Finkiewicz ..... B65D 47/243  
222/525
- D383,667 S \* 9/1997 Frerichs ..... D9/608
- D396,505 S \* 7/1998 Leadbetter ..... D21/617
- 6,059,472 A \* 5/2000 Yeh ..... B43K 5/005  
401/131
- D470,886 S \* 2/2003 Sheng ..... D19/141
- D493,917 S \* 8/2004 Clay ..... D21/611
- D516,463 S \* 3/2006 Thorsteinsson ..... D11/158
- D517,446 S \* 3/2006 Thorsteinsson ..... D11/158
- D517,447 S \* 3/2006 Thorsteinsson ..... D11/158
- D520,409 S \* 5/2006 Thorsteinsson ..... D11/160
- D554,432 S \* 11/2007 Roth ..... D7/510
- D628,492 S \* 12/2010 Kim ..... D21/617
- D636,133 S \* 4/2011 Rutherford ..... D30/160

(Continued)

*Primary Examiner* — Elizabeth A. Albert

(57) **CLAIM**

The ornamental design for a 3D pen, as shown and described.

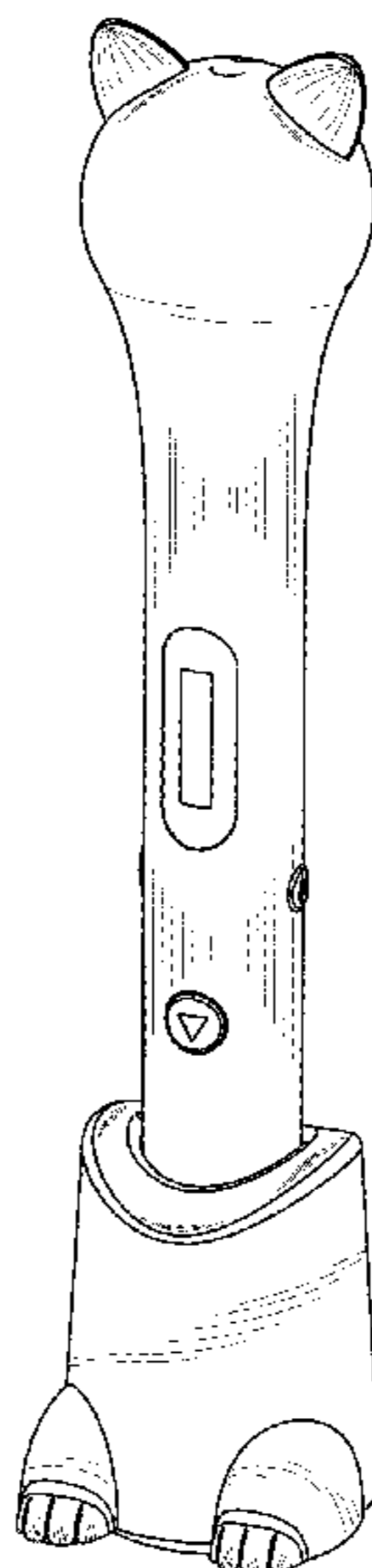
**DESCRIPTION**

FIG. 1 is a front elevational view of a 3D pen showing my new design;  
 FIG. 2 is a rear elevational view thereof;  
 FIG. 3 is a left side elevational view thereof;  
 FIG. 4 is a right side elevational view thereof;  
 FIG. 5 is a top plan view thereof;  
 FIG. 6 is a bottom plan view thereof, and  
 FIG. 7 is a front perspective view thereof.  
 FIG. 8 is a front perspective view of the docking portion thereof, shown without the pen for convenience; and,  
 FIG. 9 is a front perspective view of the pen thereof, shown without the docking portion for convenience.  
 The broken lines of FIG. 6 depict environment that forms no part of the claimed design.

**1 Claim, 9 Drawing Sheets**

(56) **References Cited**  
 U.S. PATENT DOCUMENTS

- D62,214 S \* 4/1923 Bongirno ..... D21/617
- D62,511 S \* 6/1923 Thomson ..... D21/617
- 2,187,407 A \* 1/1940 Stone ..... A63H 3/14  
446/327
- D163,779 S \* 6/1951 Ulvad ..... D19/142
- 2,911,950 A \* 11/1959 Freeman ..... B43K 7/005  
401/209
- 2,947,091 A \* 8/1960 McCrary ..... A61F 5/44  
116/67 R
- 3,510,949 A \* 5/1970 Christy ..... A63H 1/16  
33/27.01
- 4,468,146 A \* 8/1984 Tabachnik ..... B43K 23/016  
401/116
- D276,640 S \* 12/1984 Paczko ..... D21/617
- D276,759 S \* 12/1984 Inspector ..... D2/979
- D305,910 S \* 2/1990 Kim ..... D19/142



(56)

**References Cited**

U.S. PATENT DOCUMENTS

D725,478 S \* 3/2015 Huang ..... D21/617  
D753,513 S \* 4/2016 Deurloo ..... D10/40  
D789,801 S \* 6/2017 Johnson ..... D10/7  
9,944,111 B2 \* 4/2018 Elmore ..... B43K 8/003

\* cited by examiner

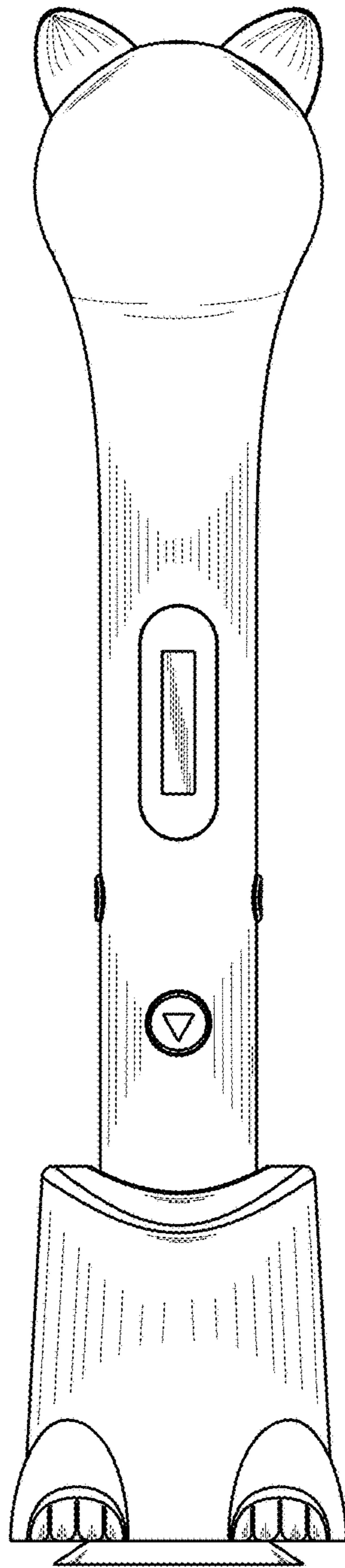


FIG. 1

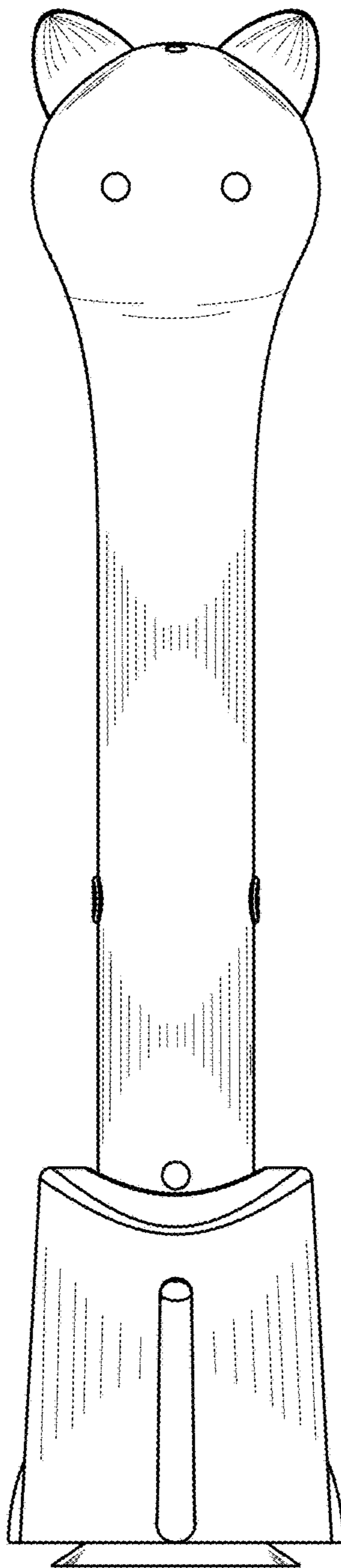


FIG.2

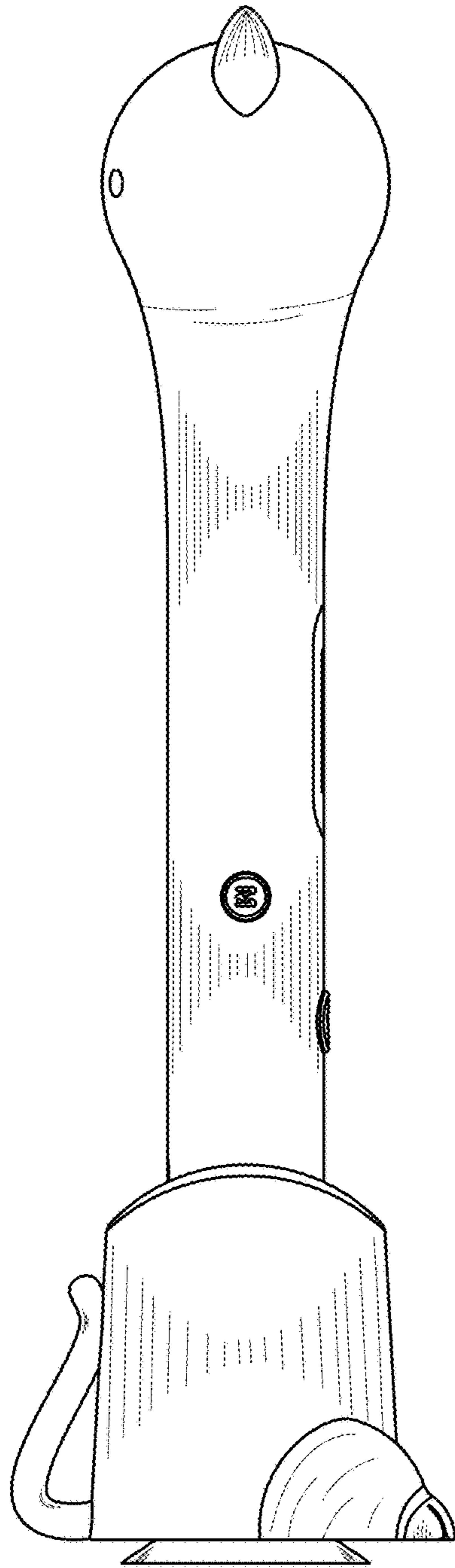


FIG.3

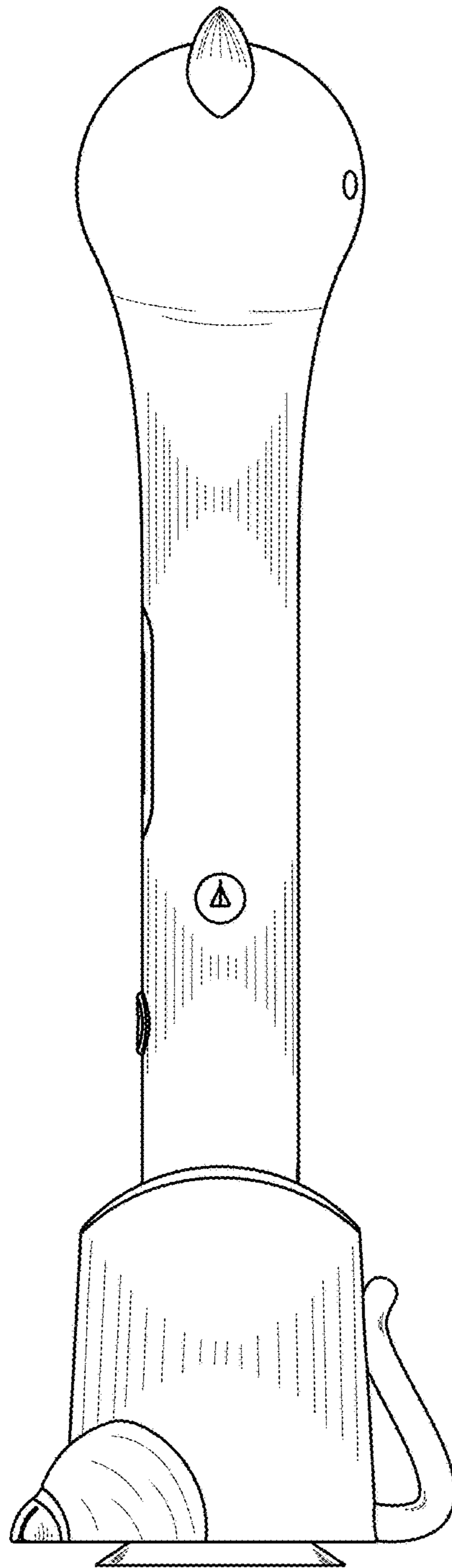


FIG. 4

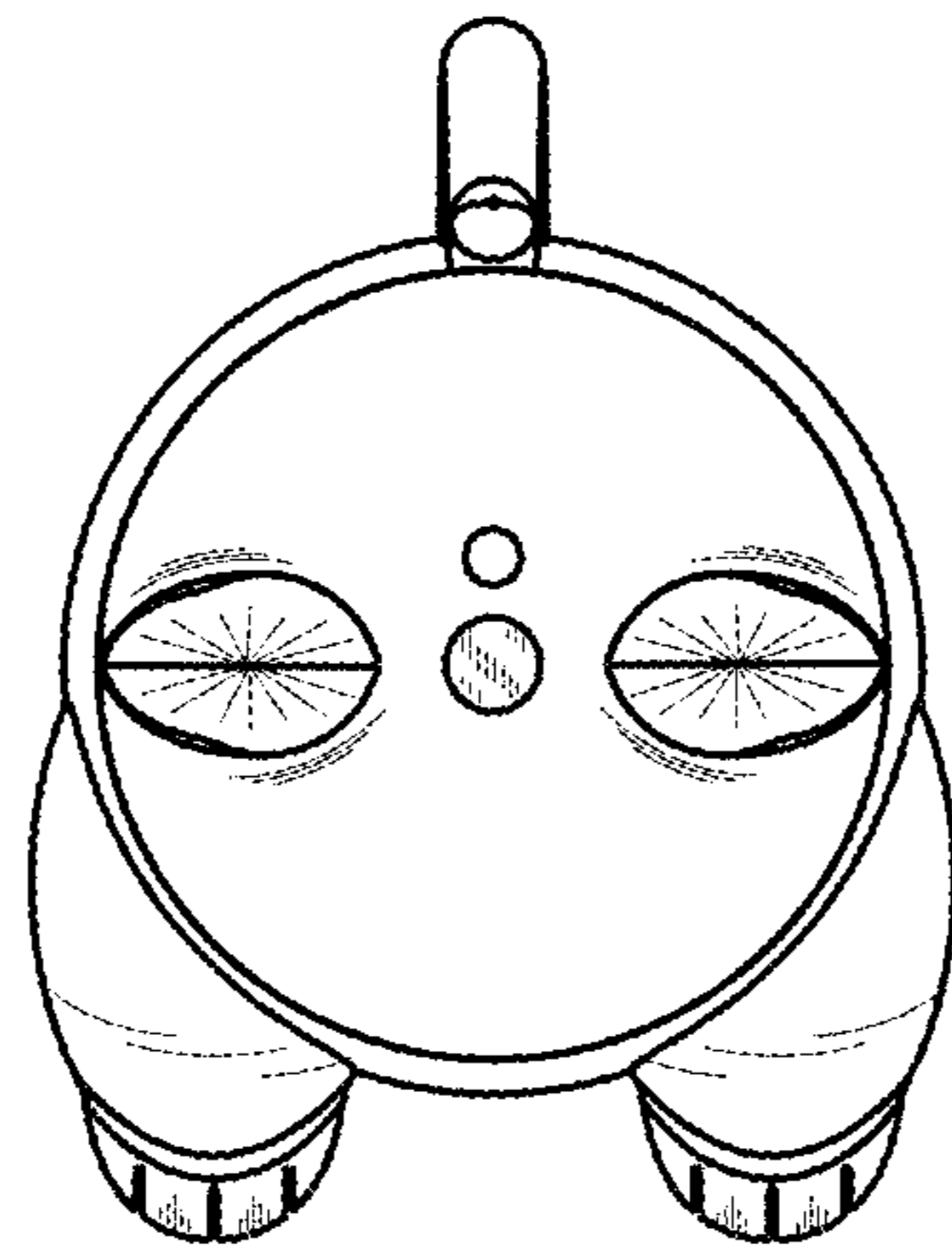


FIG.5

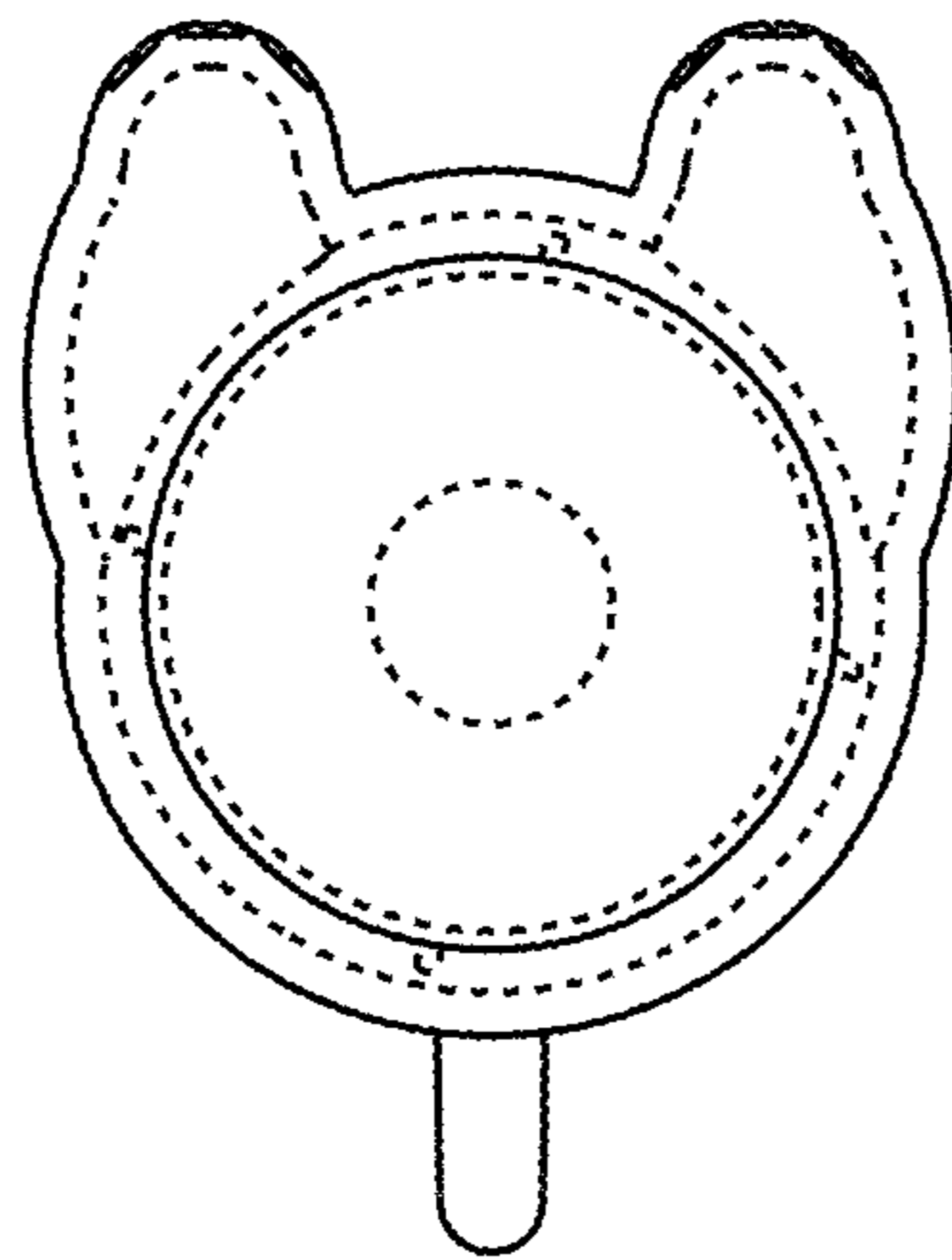


FIG. 6



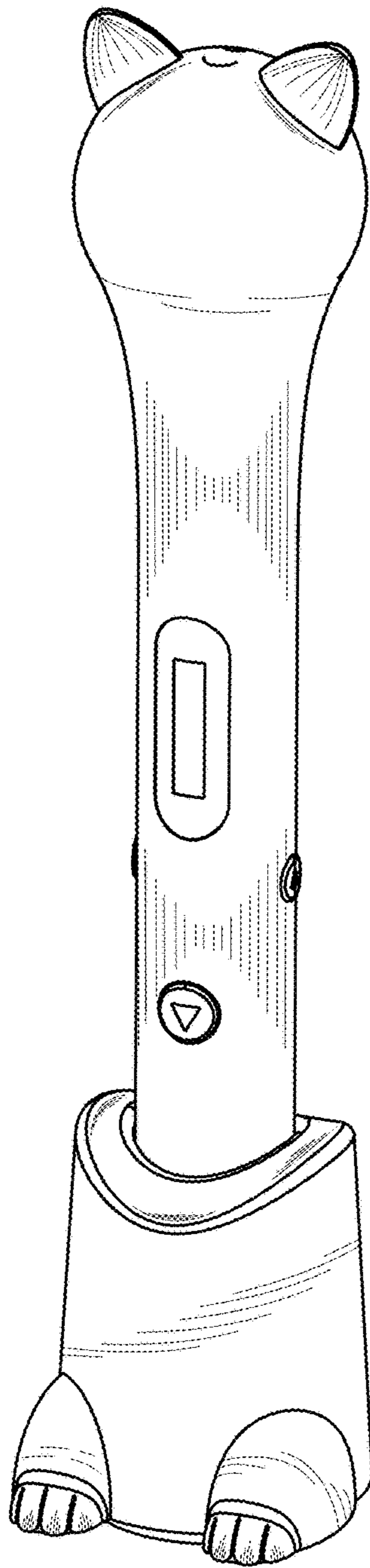


FIG. 7

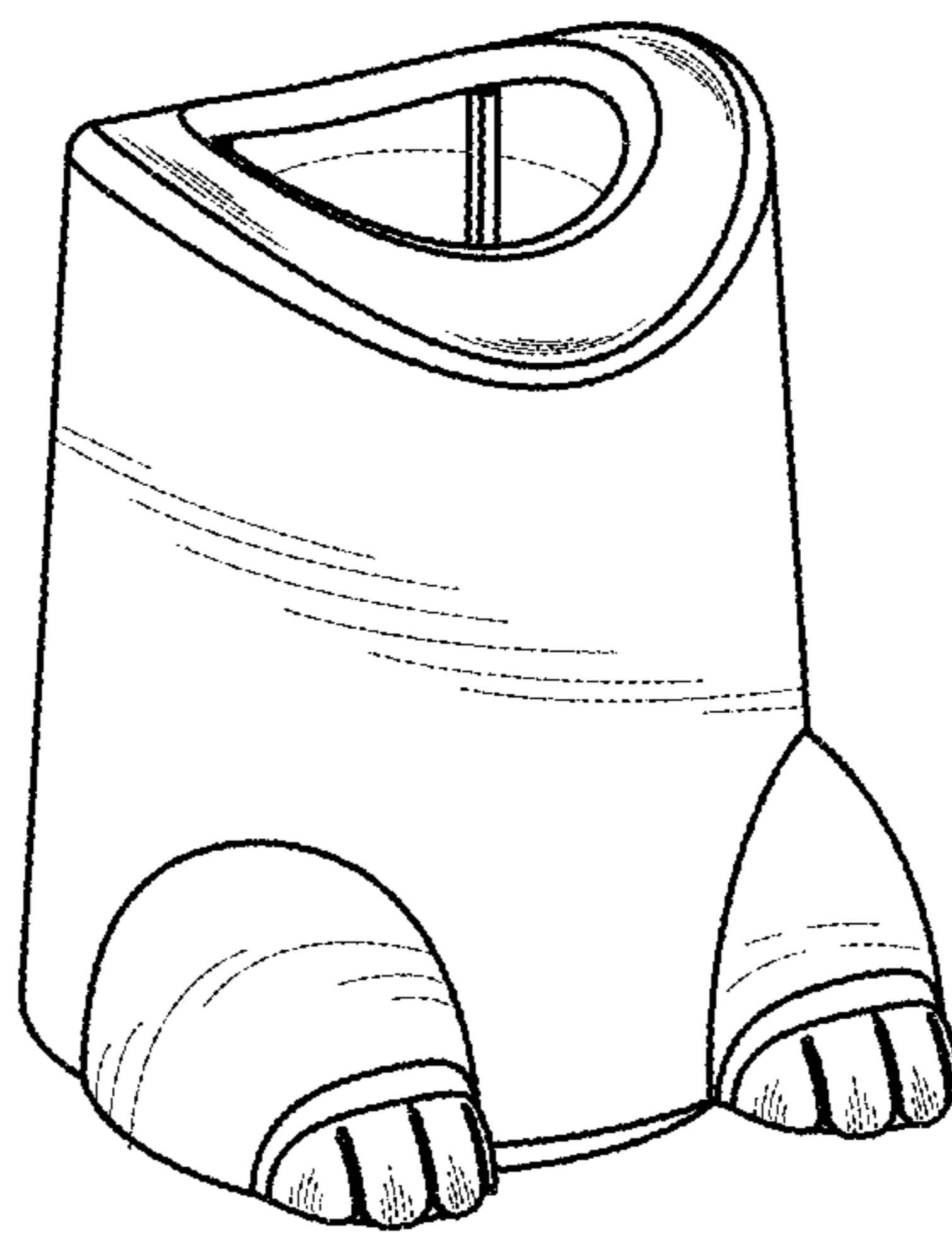


FIG.8

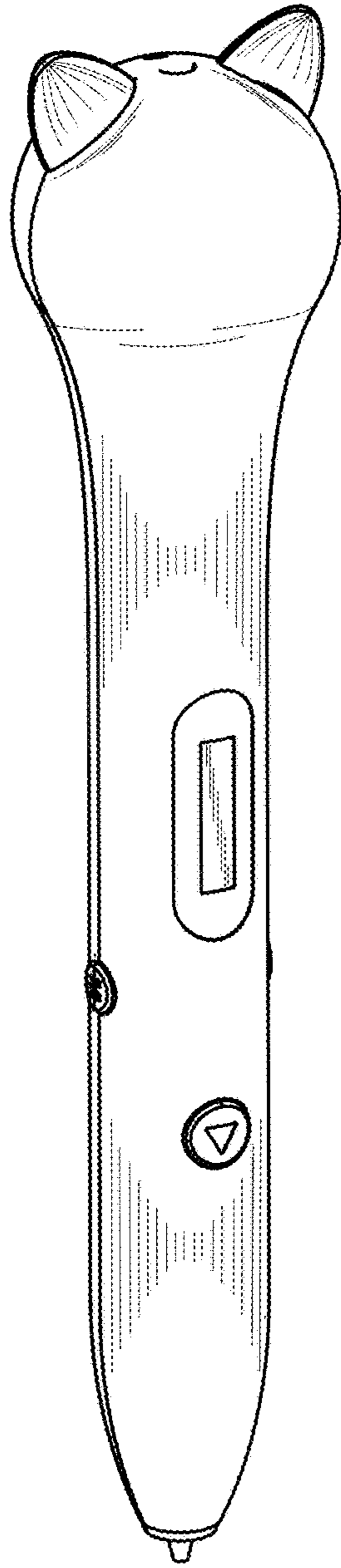


FIG. 9