

US00D841735S

(12) **United States Design Patent**
Tuang

(10) **Patent No.:** **US D841,735 S**
(45) **Date of Patent:** **** Feb. 26, 2019**

(54) **SHELF ORGANIZER**
(71) Applicant: **EP Family Corp.**, Walnut, CA (US)
(72) Inventor: **Bao-Yi Tuang**, Walnut, CA (US)
(**) Term: **15 Years**
(21) Appl. No.: **29/639,982**

6,092,672 A * 7/2000 Harris B42F 7/12
211/11
6,170,674 B1 * 1/2001 Caterinacci A47F 7/0042
211/41.1
6,357,608 B1 * 3/2002 Timm A47B 57/10
108/152
D493,289 S * 7/2004 Klein D6/320
(Continued)

(22) Filed: **Mar. 9, 2018**
(51) **LOC (11) Cl.** **19-02**
(52) **U.S. Cl.**
USPC **D19/90; D6/566**
(58) **Field of Classification Search**
USPC D6/566, 524, 536, 537, 540, 553, 567,
D6/570, 571, 574, 683.1, 678.4, 705.6,
D6/705.7; 211/10, 11, 13.1, 42, 45, 50,
211/85.3, 86.01, 87.01, 88.01, 90.01,
211/90.03, 106, 134, 153, 181.1, 188,
211/126.1; 108/91-93, 107, 144.11, 149;
D3/304-306, 206, 266; D19/89-92,
D19/75-77, 78-80, 86, 87; 206/215, 425,
206/556, 557; D7/409, 601
CPC .. A47F 7/146; A47F 5/103; A47F 7/14; A47F
7/145; A47G 29/00; A47J 47/16; A47K
10/04; B62H 3/12; A47B 96/028; A47B
96/067; A47B 63/00; B42F 7/00; B42F
7/02; B42F 7/10; B42F 17/02; B42F
17/08
See application file for complete search history.

OTHER PUBLICATIONS

Amazon.com SimpleHouseware 6 Tier Wall Mount Document Letter Tray Organizer Black, Apr. 19, 2017, <https://www.amazon.com/SimpleHouseware-Mount-Document-Letter-Organizer/dp/B06ZZD2DRQ/> (Year: 2017).*

Primary Examiner — David G Muller
Assistant Examiner — Nathan M Johnston
(74) *Attorney, Agent, or Firm* — Tommy SF Wang; Wang IP Law Group, P.C.

(57) **CLAIM**

The ornamental design for a shelf organizer, as shown and described.

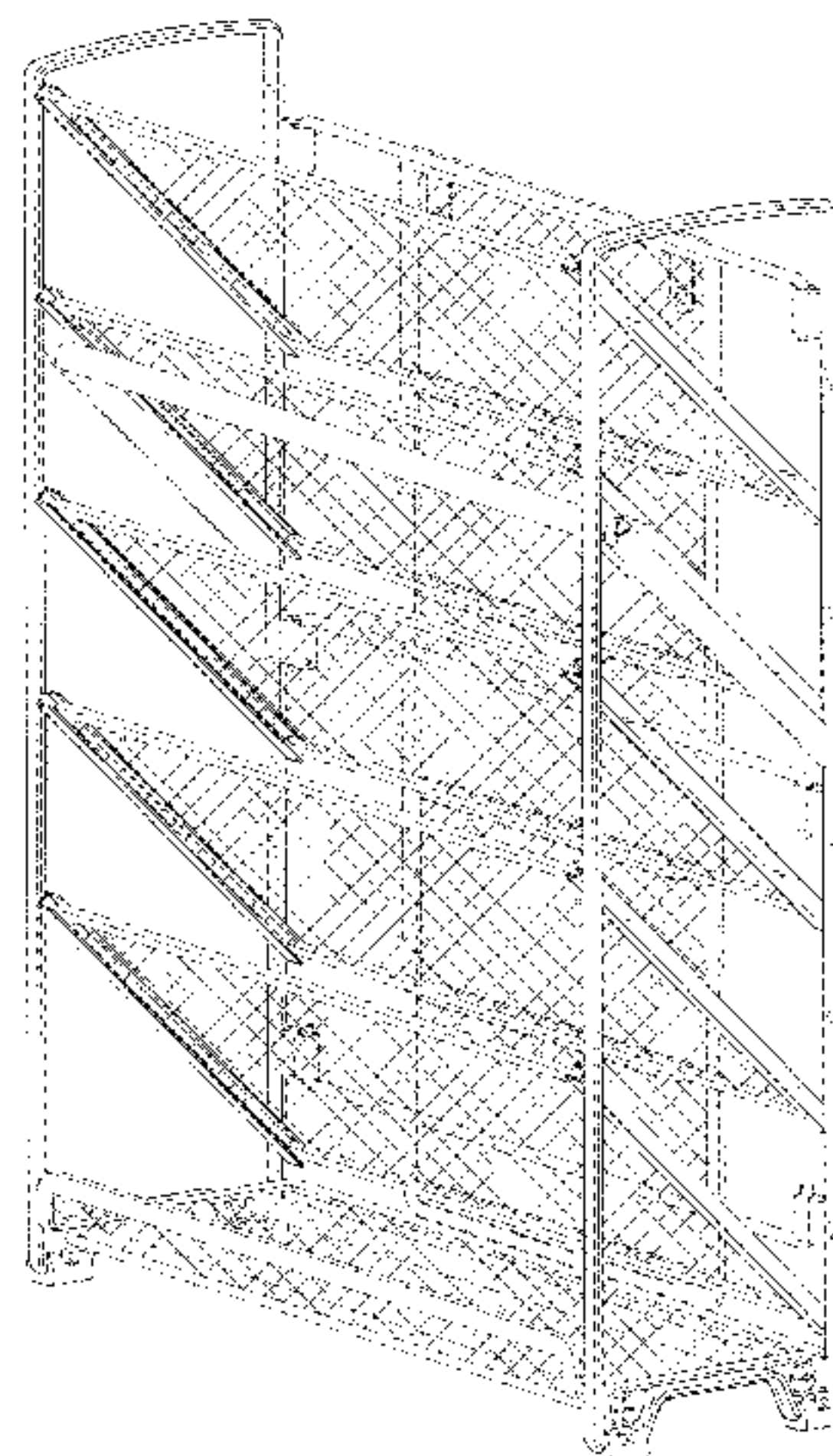
DESCRIPTION

FIG. 1 is a perspective view of a shelf organizer showing my new design;
FIG. 2 is a front view thereof;
FIG. 3 is a rear view thereof;
FIG. 4 is a left side view thereof;
FIG. 5 is a right side view thereof;
FIG. 6 is a top view thereof;
FIG. 7 is a bottom view thereof;
FIG. 8 is another perspective view thereof with one of shelves being removed; and,
FIG. 9 is an enlarged view of an indicated portion of FIG. 1.
The broken line portions of the shelf organizer in FIGS. 1-9 represent unclaimed portions of the claimed design and form no part thereof.

(56) **References Cited**
U.S. PATENT DOCUMENTS

5,016,760 A * 5/1991 Mayo A47F 7/146
211/55
D340,156 S * 10/1993 Bonazza D6/683.1
D382,434 S * 8/1997 Klein D6/315
5,823,359 A * 10/1998 Harris B42F 7/10
211/11
D401,627 S * 11/1998 Markelz D19/78
D419,349 S * 1/2000 Klein D6/548

1 Claim, 8 Drawing Sheets



(56)

References Cited

U.S. PATENT DOCUMENTS

D507,137 S * 7/2005 Klein D6/514
D514,355 S * 2/2006 Cowan D6/570
D649,819 S * 12/2011 Malik D6/513
8,636,156 B2 * 1/2014 Malik A47B 57/04
211/106
D707,978 S * 7/2014 Ruiz D6/320
D723,295 S * 3/2015 Ruiz D6/320
D756,457 S * 5/2016 Tsai D19/90
D757,176 S * 5/2016 Tsai D19/92
D758,487 S * 6/2016 Tsai D19/90
D769,022 S * 10/2016 Tsai D6/566
D769,023 S * 10/2016 Tsai D6/566
D782,833 S * 4/2017 Klein D6/320
D798,067 S * 9/2017 Felsenthal D6/320
2009/0026161 A1 * 1/2009 Scriba A47F 5/0018
211/144
2011/0120966 A1 * 5/2011 Salzstein A47F 5/137
211/149
2012/0000872 A1 * 1/2012 Troyner A47B 47/021
211/150

* cited by examiner

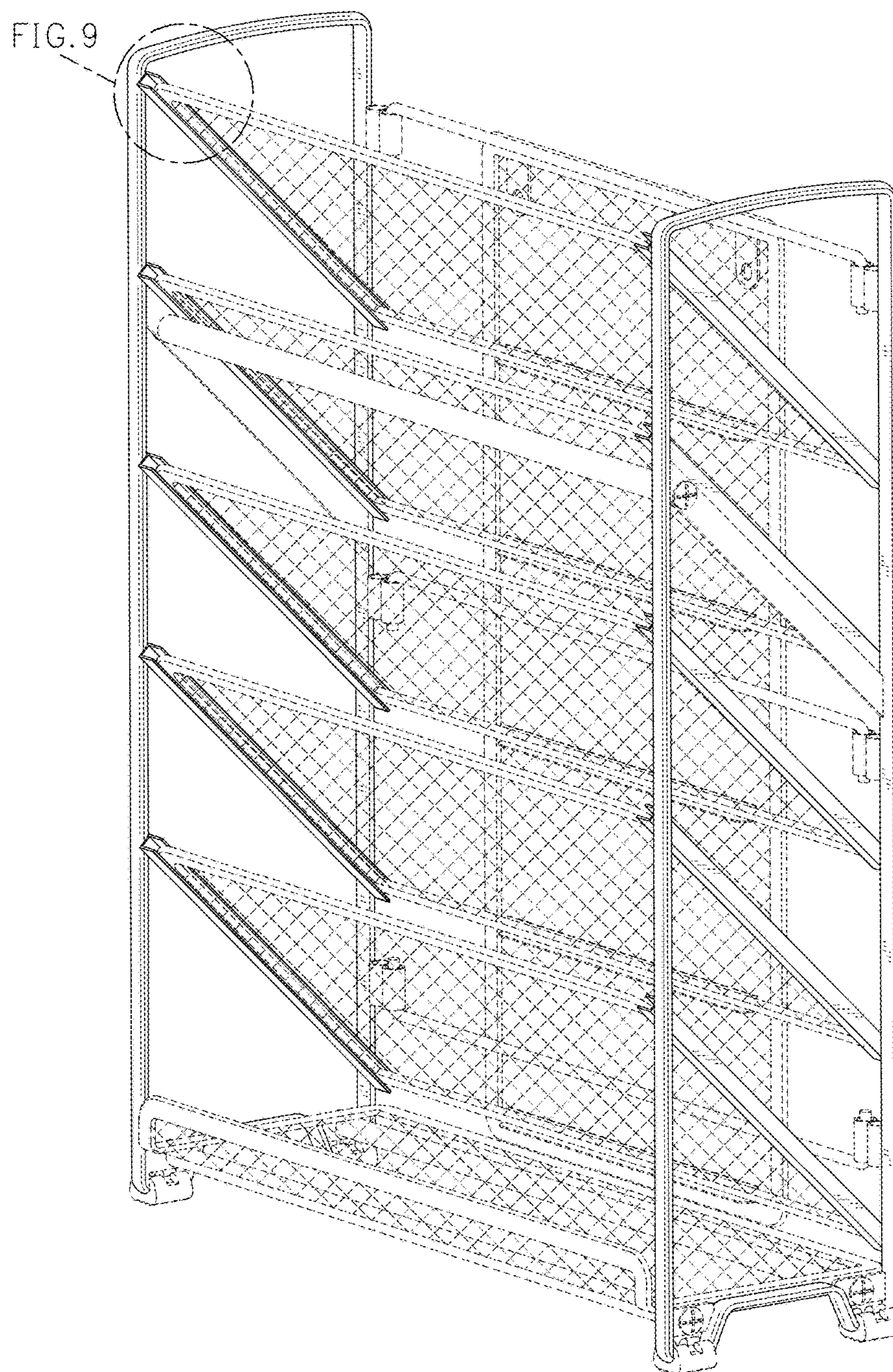


FIG. 1

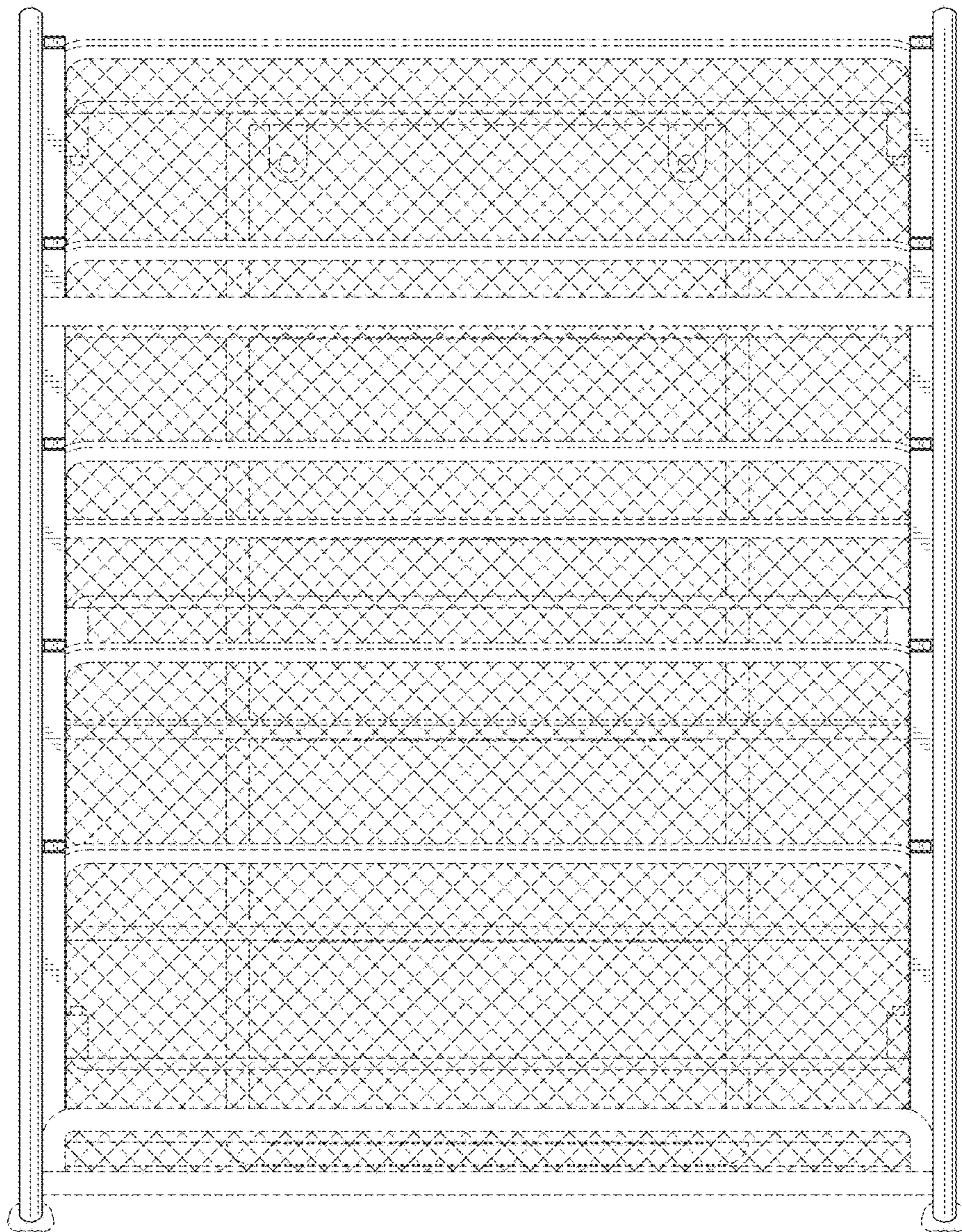


FIG. 2

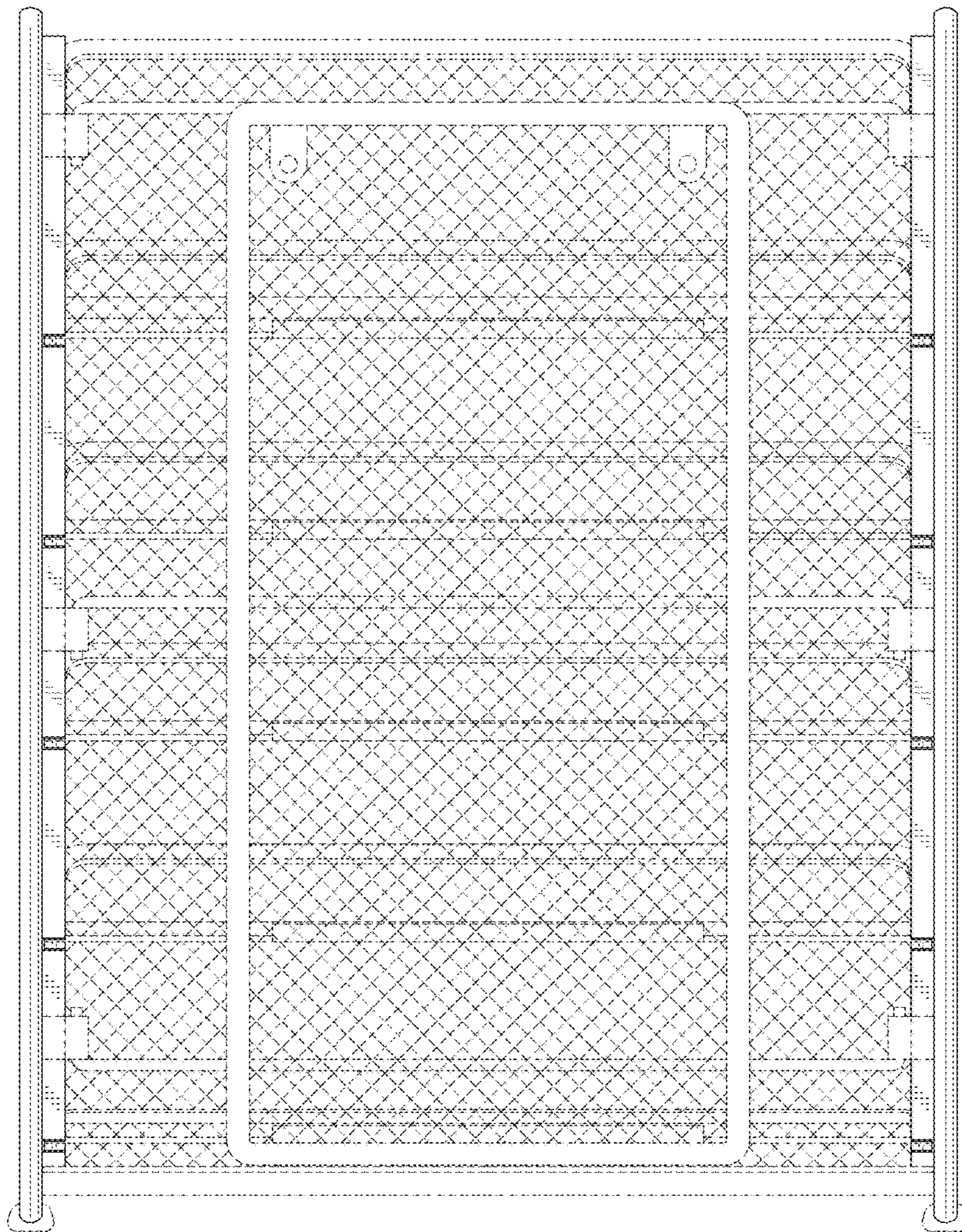


FIG. 3

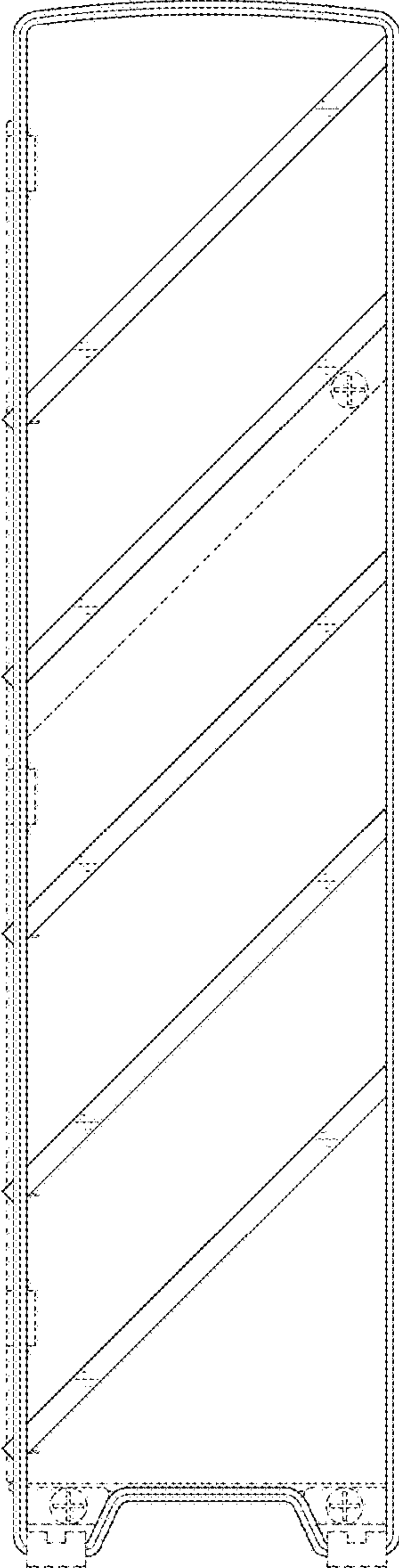


FIG. 4

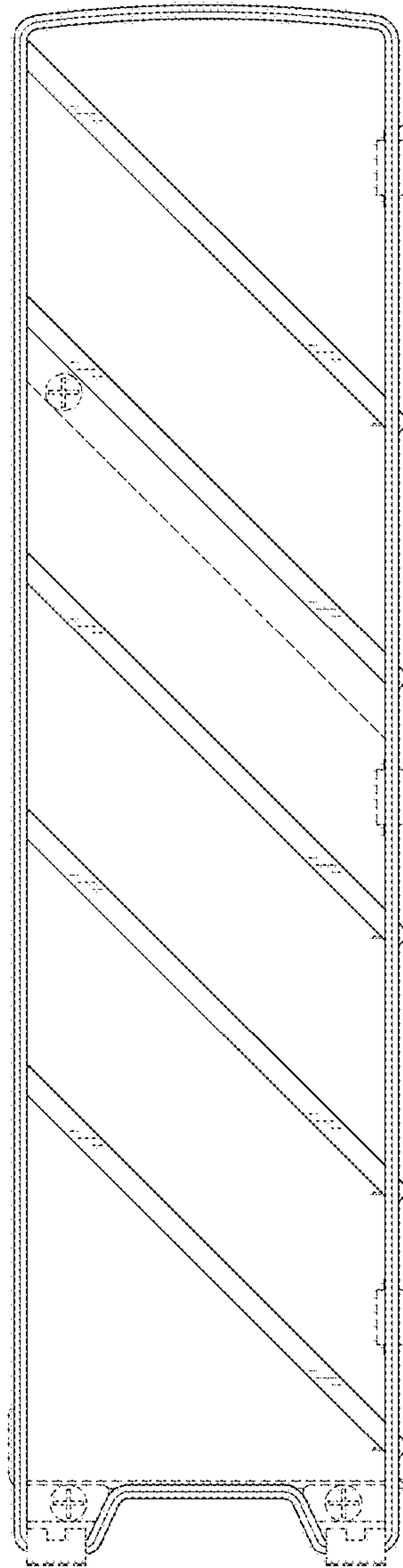


FIG. 5

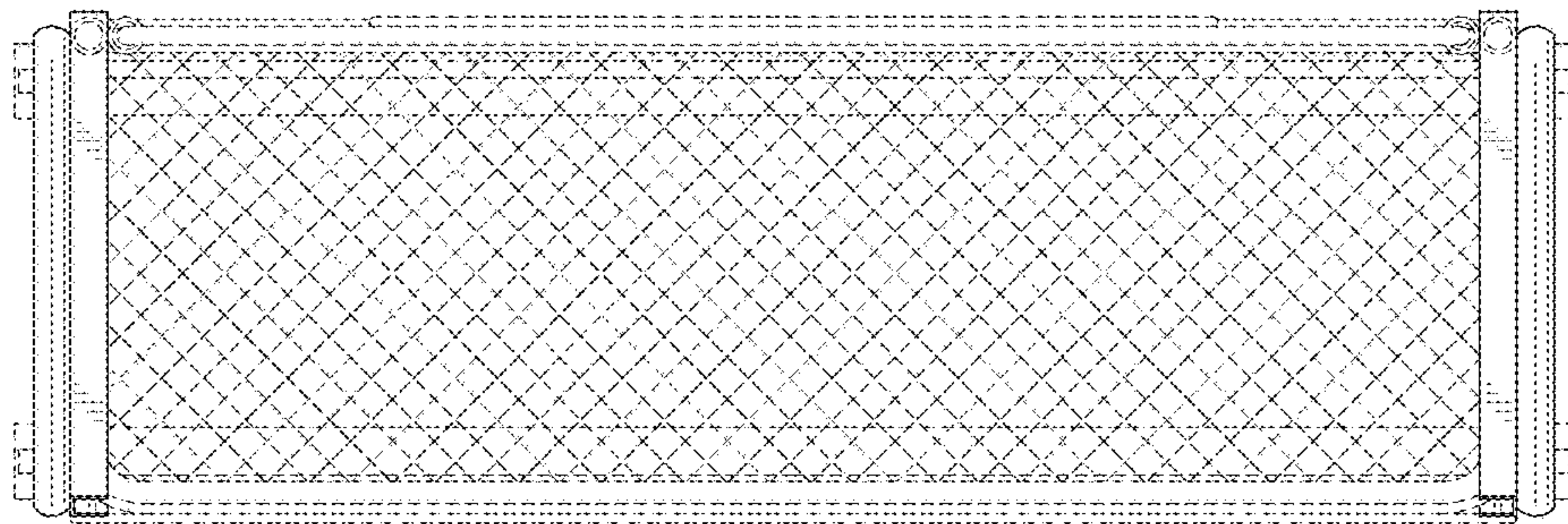


FIG. 6

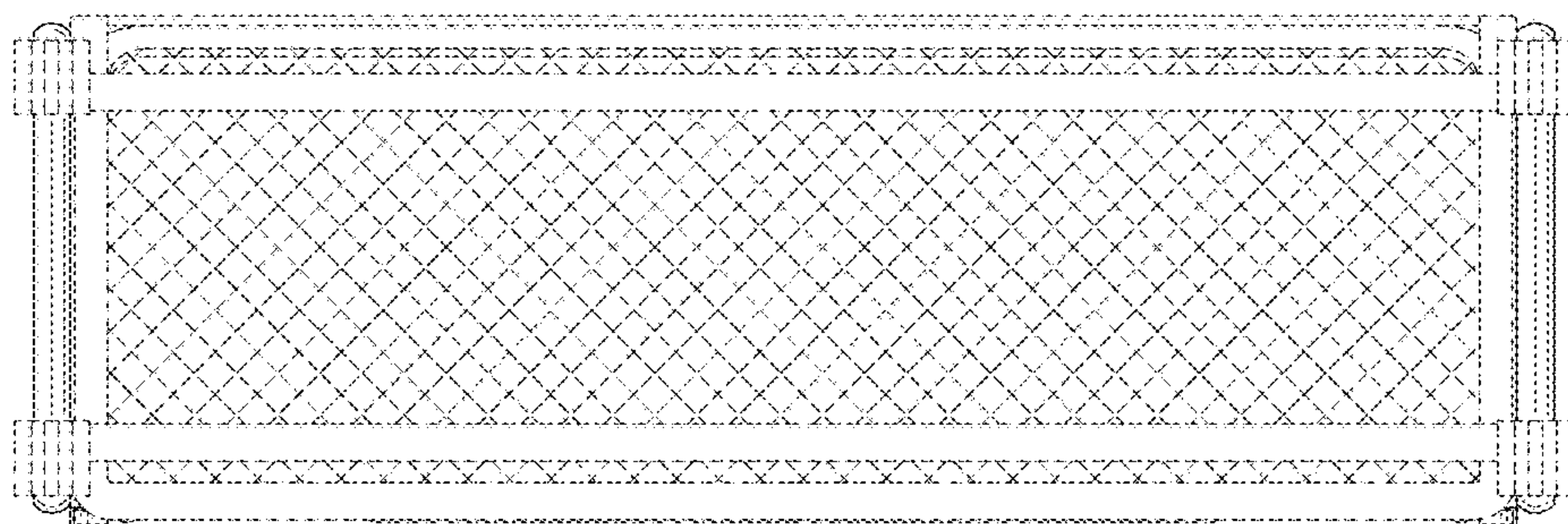


FIG. 7

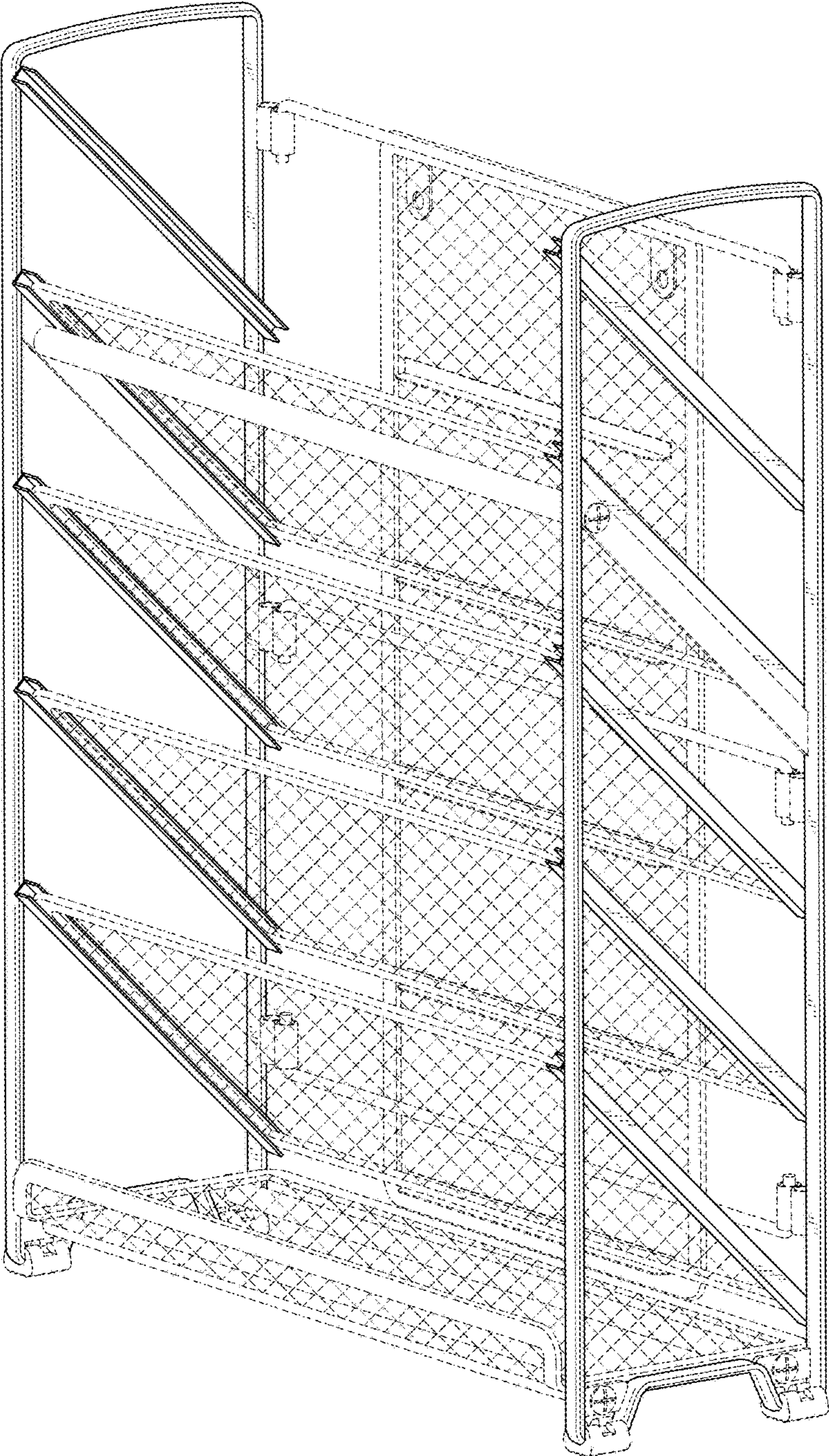


FIG. 8

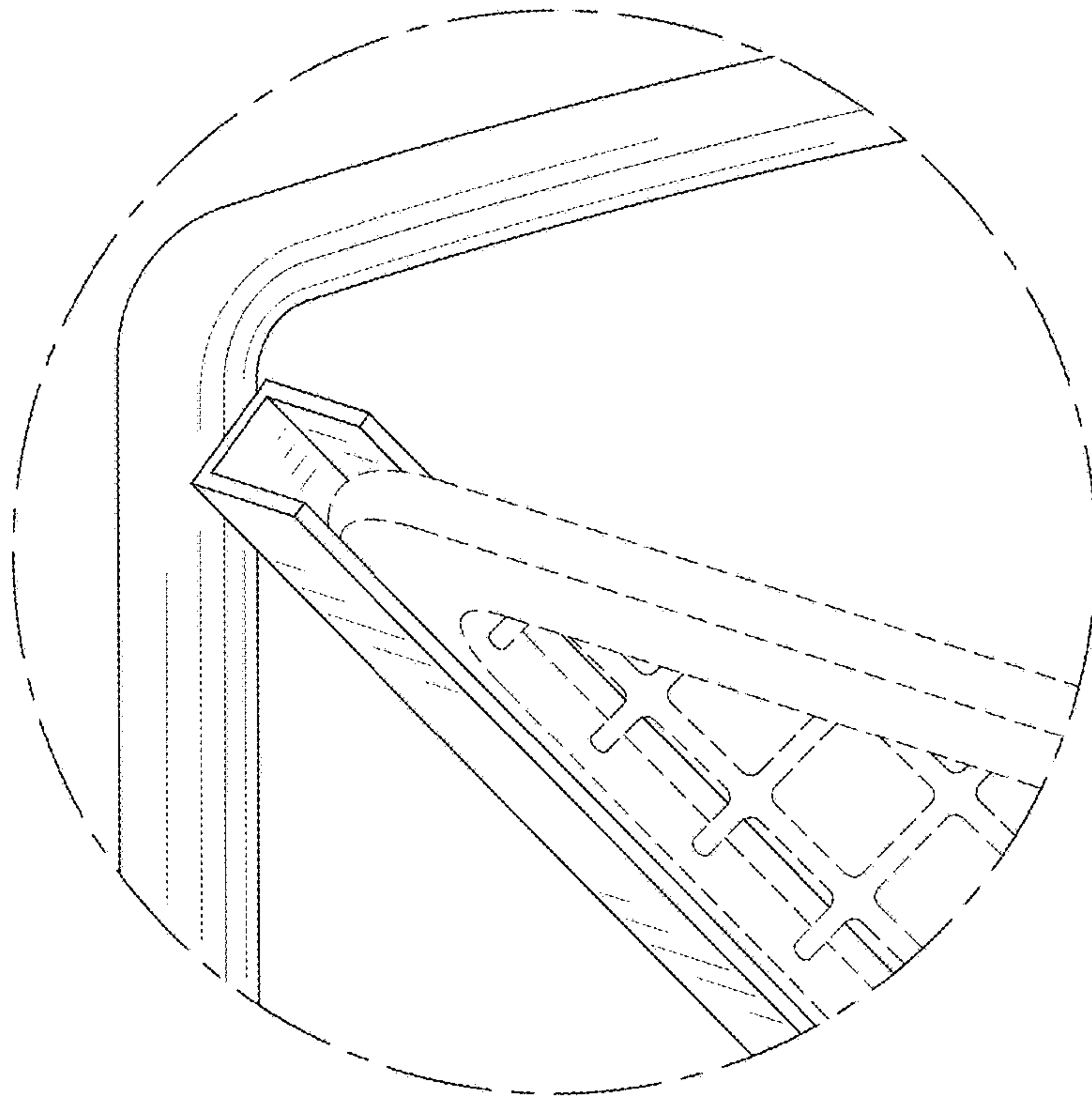


FIG. 9