

US00D841730S

(12) **United States Design Patent** (10) **Patent No.:** **US D841,730 S**  
**Anderson, Jr. et al.** (45) **Date of Patent:** **\*\* Feb. 26, 2019**

(54) **TONER CARTRIDGE**

FOREIGN PATENT DOCUMENTS

(71) Applicant: **LEXMARK INTERNATIONAL, INC.**, Lexington, KY (US)

JP D1335540 \* 7/2008  
RU 00085239 \* 5/2013  
RU 00099160 \* 7/2016

(72) Inventors: **James Daniel Anderson, Jr.**, Harrodsburg, KY (US); **Masahito Cho**, Lexington, KY (US); **Jason Paul Hale**, Pembroke Pines, FL (US); **Kyle Bradley Martin**, Lexington, KY (US); **Robert Watson McAlpine**, Lexington, KY (US); **Jeremy Keith Payne**, Georgetown, KY (US); **Matthew Lee Rogers**, Lexington, KY (US)

OTHER PUBLICATIONS

Amazon. <URL: [https://www.amazon.com/LINKYO-Replacement-Toner-Cartridges-2-Pack/dp/B06Y42ZZPG/ref=pd\\_day0\\_229\\_4?encoding=UTF8&pd\\_rd\\_i=B06Y42ZZPG&pd\\_rd\\_r=0VFE28T5AST33K86VWBS&pd\\_rd\\_w=lsLkS&pd\\_rd\\_wg=pOzbE&psc=1&refRID=0VFE28T5AST33K86VWBS](https://www.amazon.com/LINKYO-Replacement-Toner-Cartridges-2-Pack/dp/B06Y42ZZPG/ref=pd_day0_229_4?encoding=UTF8&pd_rd_i=B06Y42ZZPG&pd_rd_r=0VFE28T5AST33K86VWBS&pd_rd_w=lsLkS&pd_rd_wg=pOzbE&psc=1&refRID=0VFE28T5AST33K86VWBS)> Apr. 7, 2017. LINKYO Replacement Toner Cartridges.\*

(Continued)

(73) Assignee: **Lexmark International, Inc.**, Lexington, KY (US)

*Primary Examiner* — Thomas Johannes

*Assistant Examiner* — Lauren D McVey

(\*\*) Term: **15 Years**

(74) *Attorney, Agent, or Firm* — Justin M. Tromp

(21) Appl. No.: **29/609,439**

(57) **CLAIM**

(22) Filed: **Jun. 30, 2017**

The ornamental design for a toner cartridge, as shown and described.

(51) **LOC (11) Cl.** ..... **16-03**

**DESCRIPTION**

(52) **U.S. Cl.**

USPC ..... **D18/43**

(58) **Field of Classification Search**

USPC ..... D18/40–45, 56

CPC ..... G03G 15/0894; G03G 15/0896; G03G

15/0898; G03G 21/1661; G03G 21/1666;

G03G 21/1671; G03G 21/1676; G03G

21/168; G03G 21/1685; G03G 21/169;

G03G 21/1695; G03G 21/18; G03G

21/1803; G03G 21/1807; G03G 15/0868;

(Continued)

FIG. 1 is a front, right side, top perspective view of a toner cartridge, showing our new design;

FIG. 2 is a rear, left side, top perspective view thereof;

FIG. 3 is a front, left side, bottom perspective view thereof;

FIG. 4 is a rear, right side, bottom perspective view thereof;

FIG. 5 is a front elevation view thereof;

FIG. 6 is a left side elevation view thereof;

FIG. 7 is a rear elevation view thereof;

FIG. 8 is a right side elevation view thereof;

FIG. 9 is a top plan view thereof; and,

FIG. 10 is a bottom plan view thereof.

The broken lines immediately adjacent the shaded areas represent the bounds of the claimed design while all other broken lines are directed to environment. In addition, the unshaded surfaces which directly adjoin the claimed solid line edges form no part of the claimed design.

(56) **References Cited**

U.S. PATENT DOCUMENTS

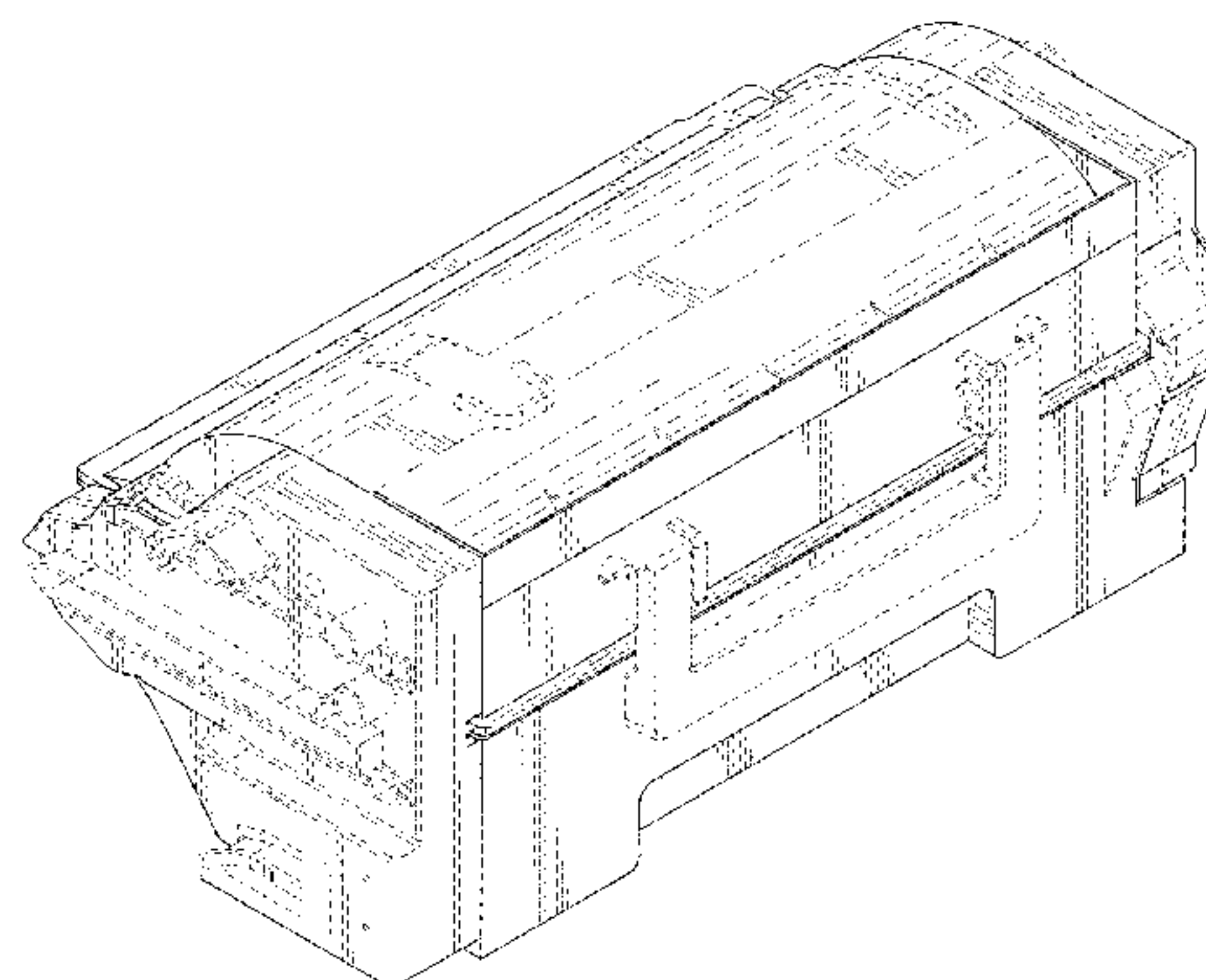
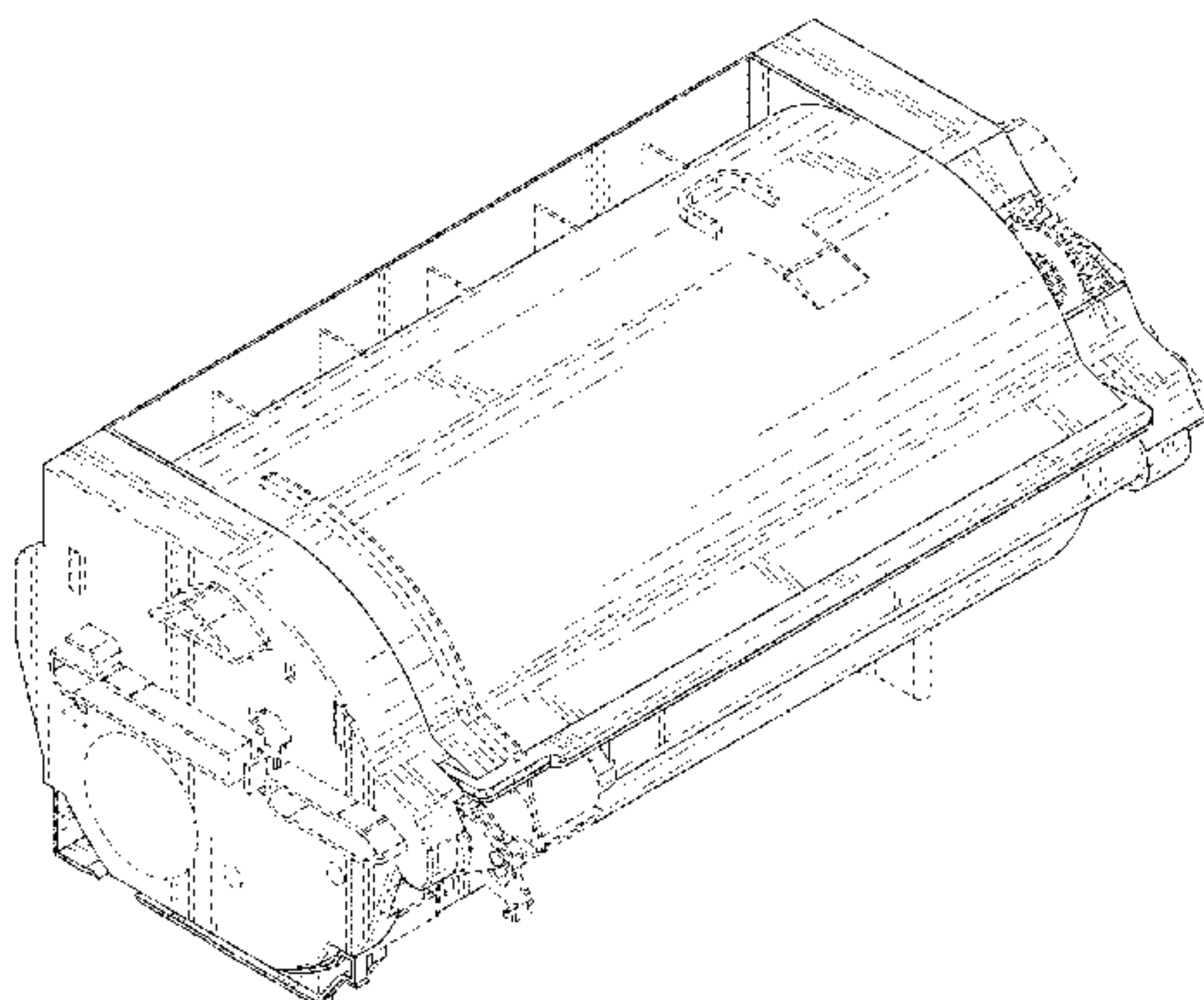
D379,829 S \* 6/1997 Hayashi ..... D18/43

D442,624 S \* 5/2001 Maeshima ..... D18/43

D524,849 S \* 7/2006 Komai ..... D18/43

(Continued)

**1 Claim, 9 Drawing Sheets**



(58) **Field of Classification Search**  
 CPC ..... G03G 15/087; G03G 15/0872; G03G  
 15/0874; G03G 15/0875; G03G 15/0877  
 See application file for complete search history.

(56) **References Cited**

U.S. PATENT DOCUMENTS

D645,077 S \* 9/2011 Murata ..... D18/43  
 D683,391 S \* 5/2013 Takahashi ..... D18/43  
 D693,400 S 11/2013 Boettcher et al.  
 8,588,659 B2 \* 11/2013 Carter ..... G03G 21/1676  
 399/258  
 D695,338 S 12/2013 Boettcher et al.  
 D695,820 S 12/2013 Carter, II et al.  
 D695,821 S 12/2013 Carter, II et al.  
 D697,549 S \* 1/2014 Wakimoto ..... D18/43  
 D707,751 S \* 6/2014 Wakimoto ..... D18/43  
 8,879,964 B1 \* 11/2014 Buchanan ..... G03G 15/0877  
 399/258  
 D723,614 S \* 3/2015 Shimizu ..... D18/43  
 9,104,135 B2 \* 8/2015 Hackney ..... G03G 15/0832  
 9,291,989 B1 3/2016 Carpenter  
 D755,283 S \* 5/2016 Lee ..... D18/43  
 9,360,797 B1 6/2016 Bayubay et al.  
 9,360,834 B1 6/2016 Payne et al.  
 9,477,178 B1 \* 10/2016 Bayubay ..... G03G 21/1821  
 9,551,974 B1 \* 1/2017 Martin ..... G03G 21/1652

9,563,169 B1 \* 2/2017 Carpenter ..... G03G 21/1652  
 9,709,925 B2 \* 7/2017 Bayubay ..... G03G 15/0886  
 D796,573 S \* 9/2017 Li ..... D18/43  
 D810,193 S \* 2/2018 Etoh ..... D18/43  
 9,915,894 B2 \* 3/2018 Bayubay ..... G03G 15/0865  
 9,921,522 B2 \* 3/2018 Acosta ..... G03G 15/0865  
 2009/0245853 A1 \* 10/2009 Lewis ..... G03G 15/0894  
 399/106  
 2013/0170866 A1 \* 7/2013 Carter ..... G03G 15/0886  
 399/258  
 2013/0170867 A1 \* 7/2013 Acosta ..... G03G 15/0886  
 399/258  
 2013/0170868 A1 \* 7/2013 Acosta ..... G03G 15/0886  
 399/258  
 2013/0170872 A1 \* 7/2013 Buchanan ..... G03G 15/0832  
 399/262

OTHER PUBLICATIONS

Design U.S. Appl. No. 29/609,432, filed Jun. 30, 2017 (Anderson et al.).  
 Design U.S. Appl. No. 29/609,435, filed Jun. 30, 2017 (Anderson et al.).  
 Rejection dated Jun. 19, 2018 for Brazilian Registered Design Application No. BR3020170055168.  
 Machine translation of rejection dated Jun. 19, 2018 for Brazilian Registered Design Application No. BR3020170055168.

\* cited by examiner



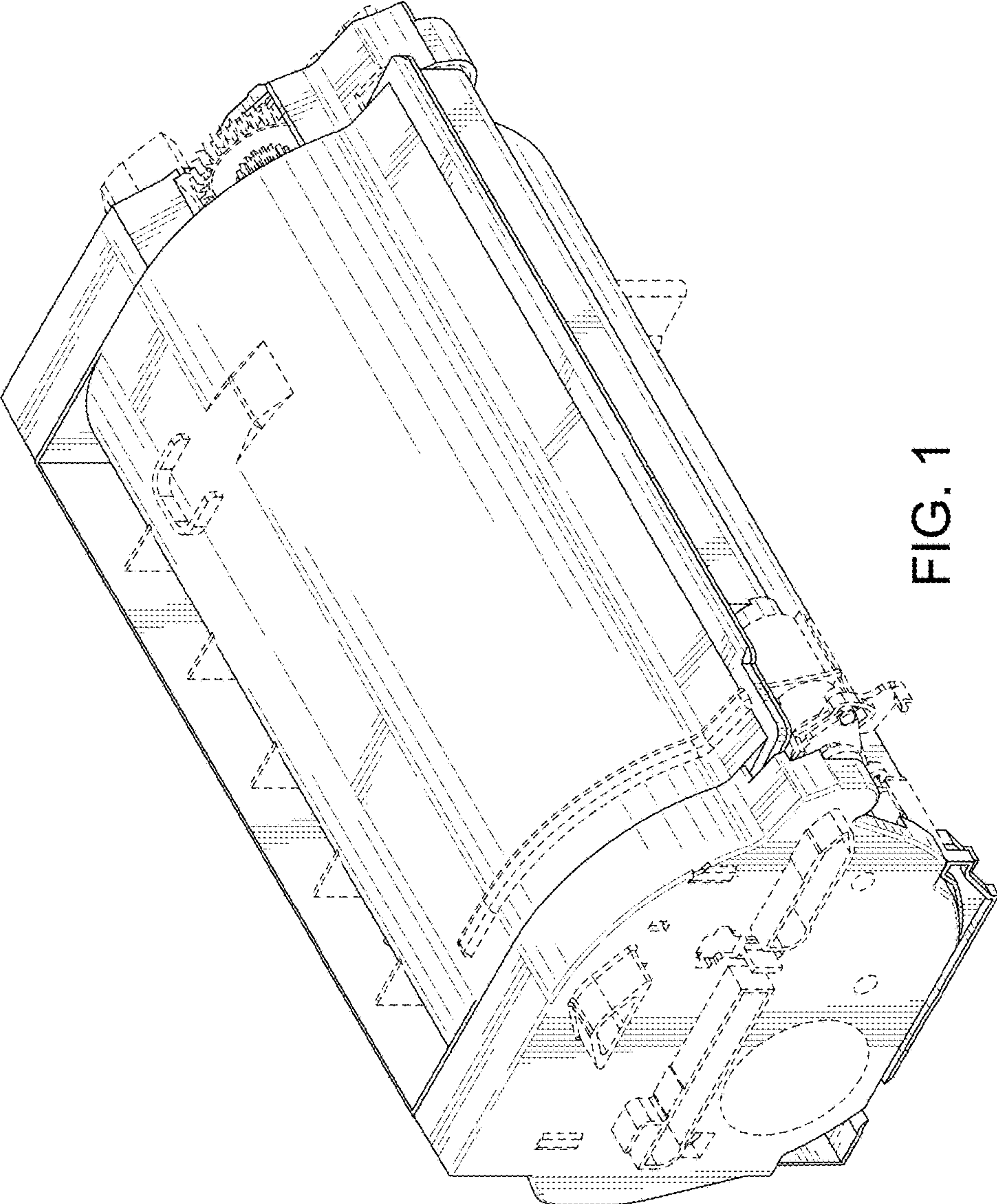


FIG. 1

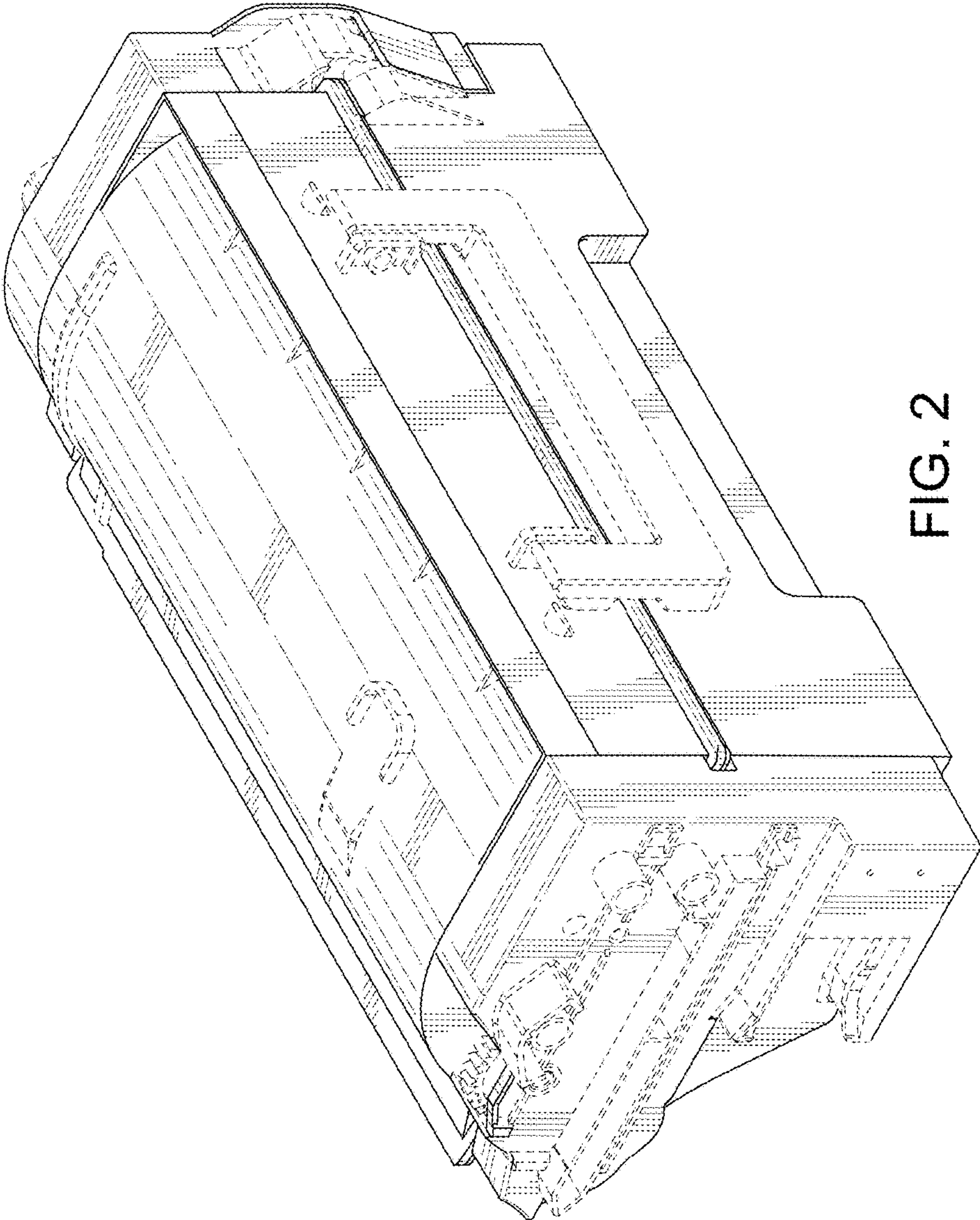


FIG. 2

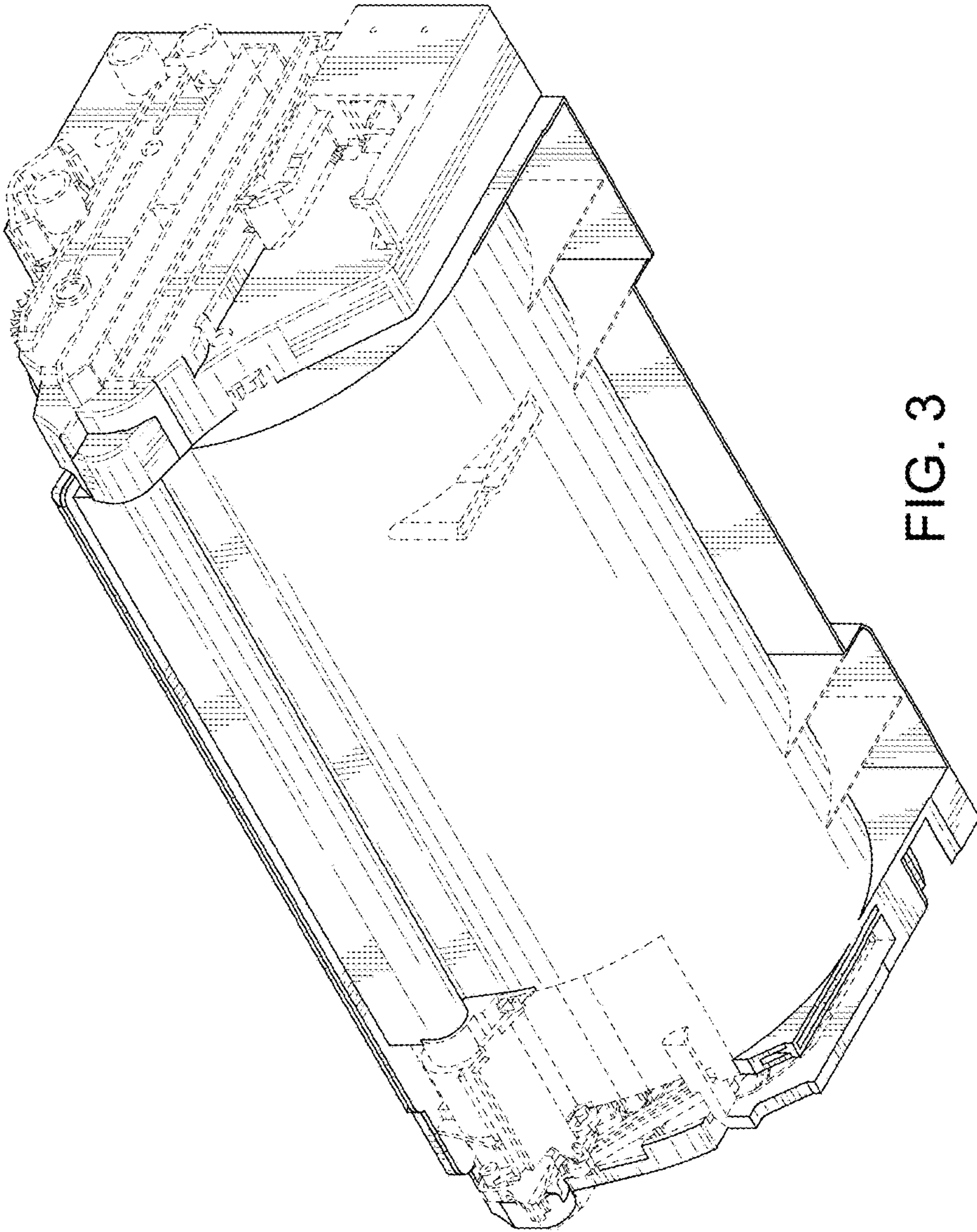


FIG. 3



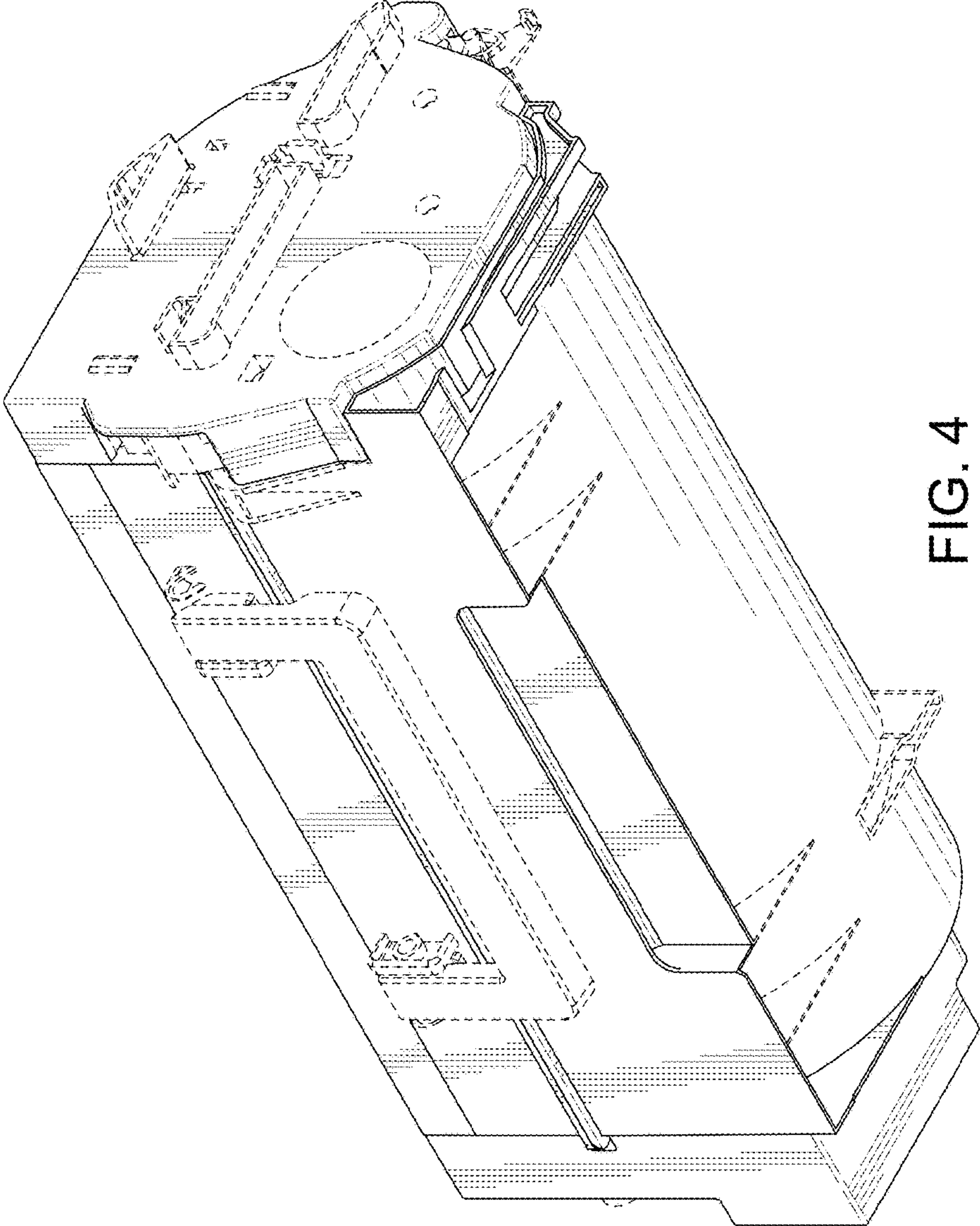


FIG. 4

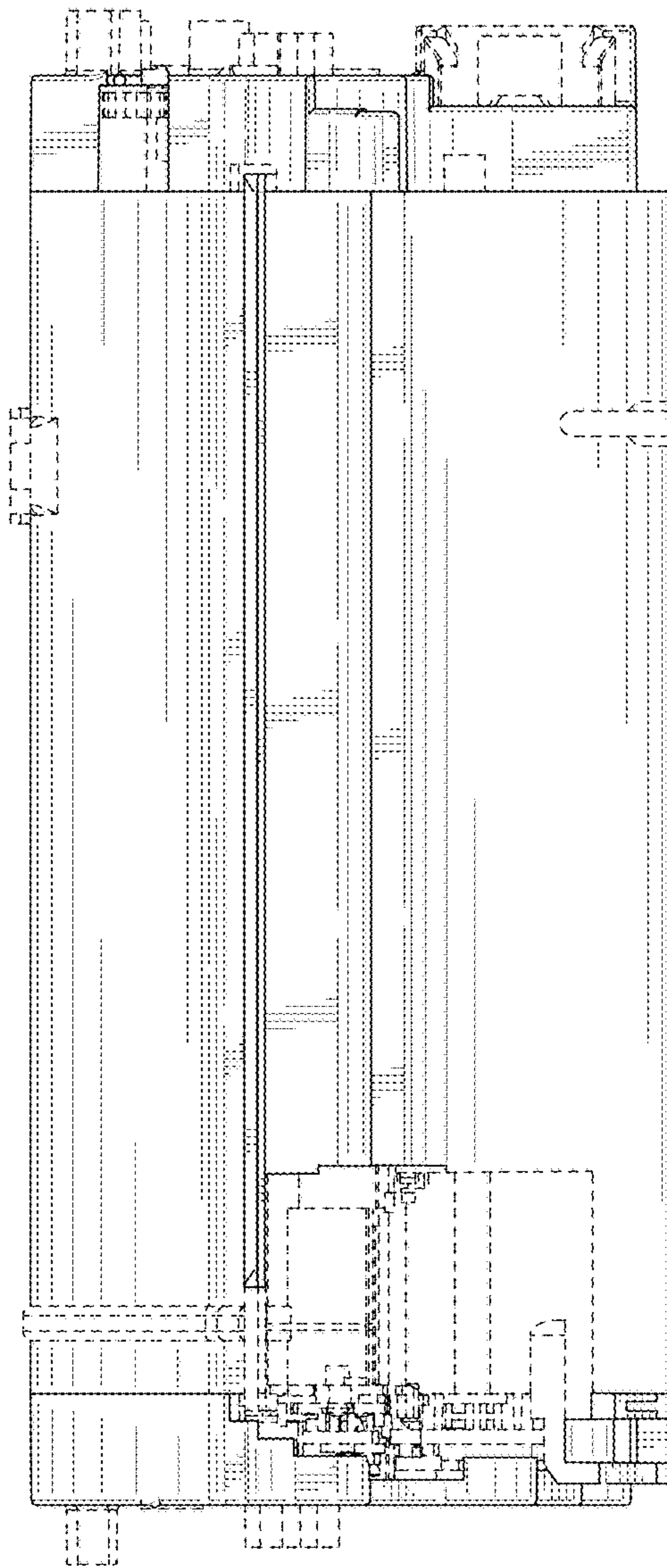


FIG. 5

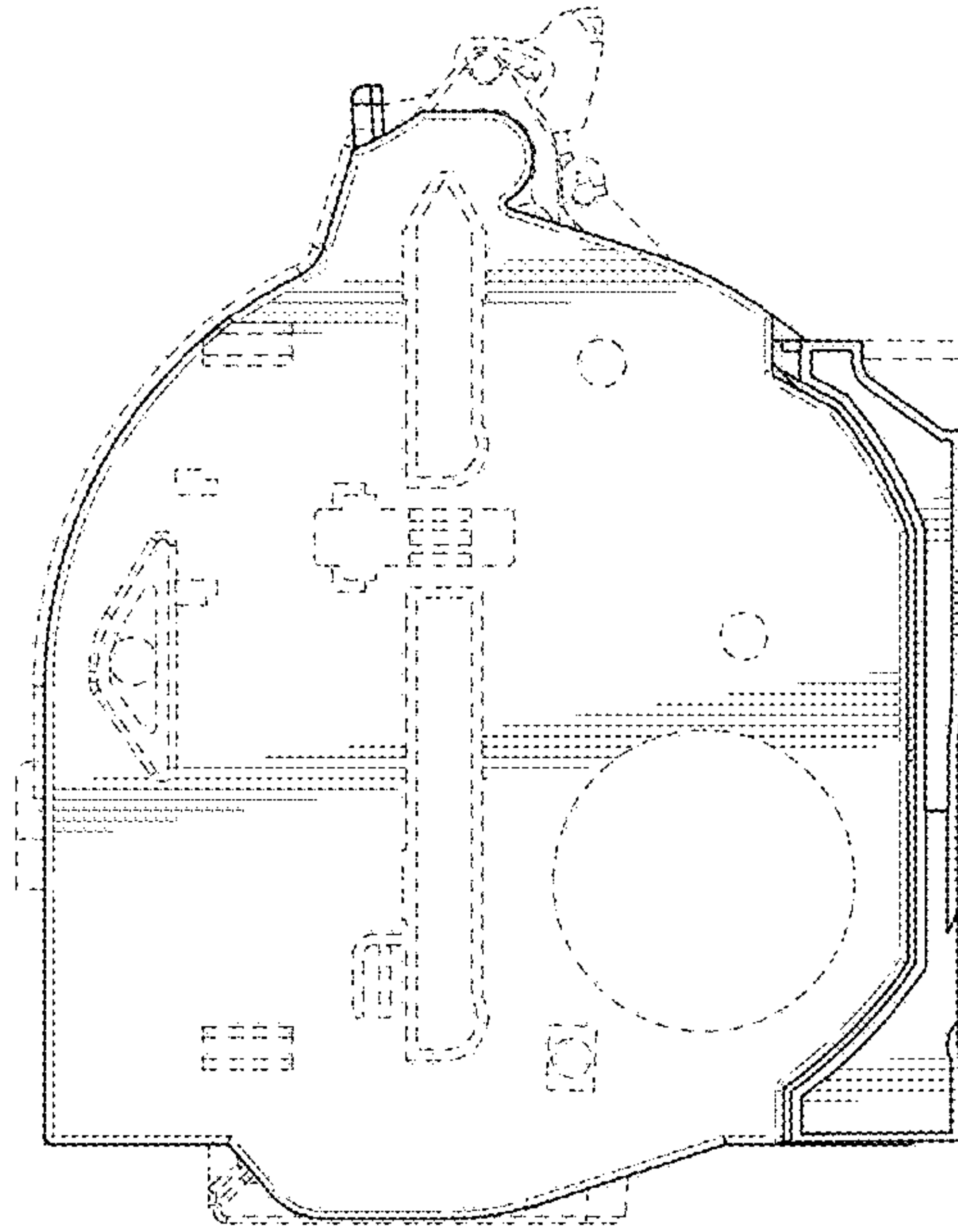


FIG. 6

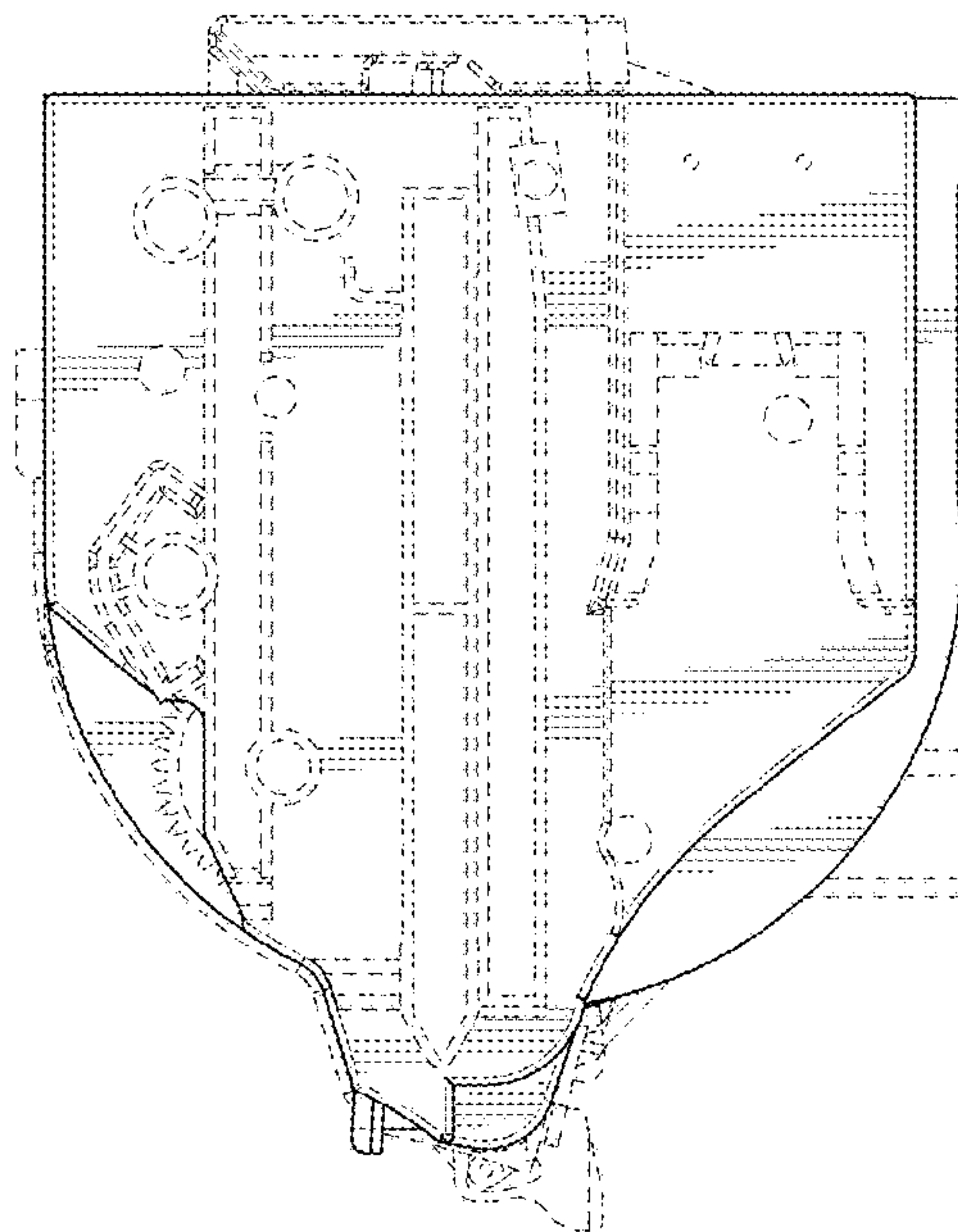


FIG. 8



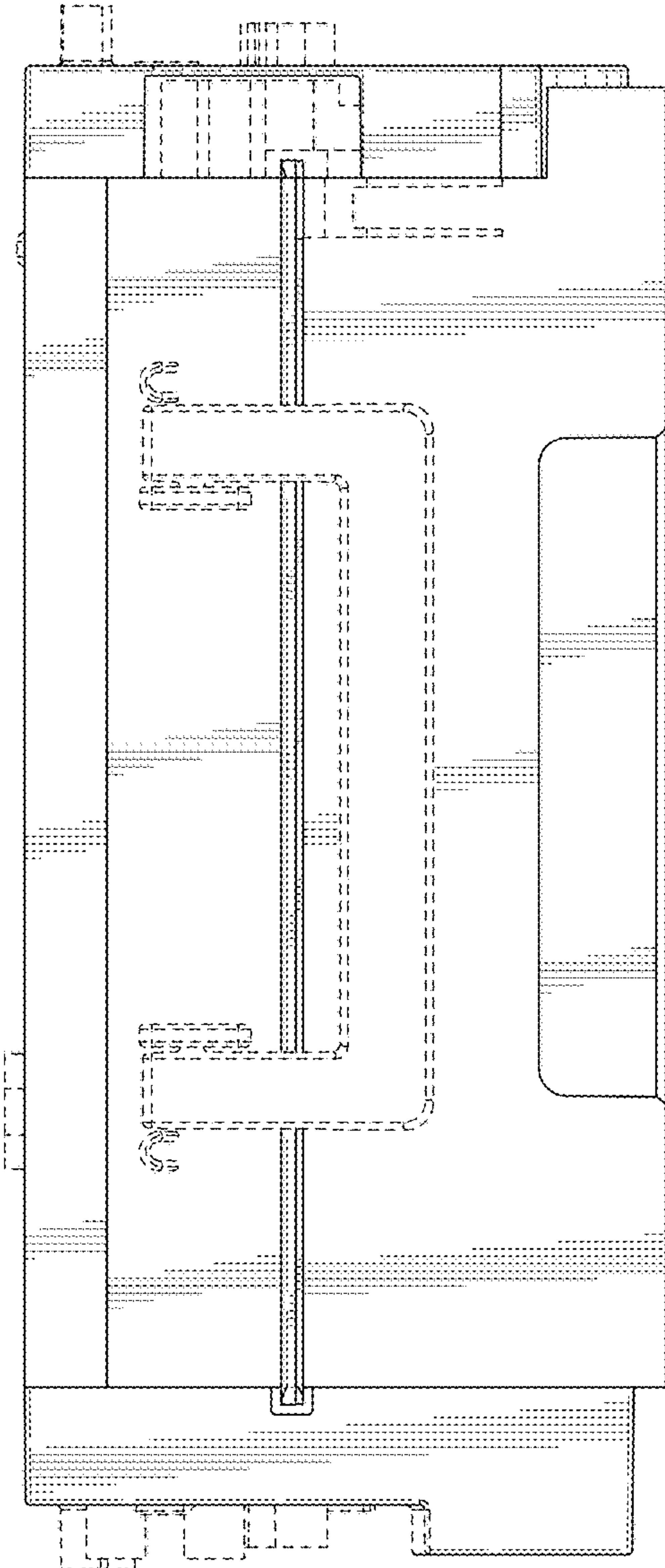


FIG. 7

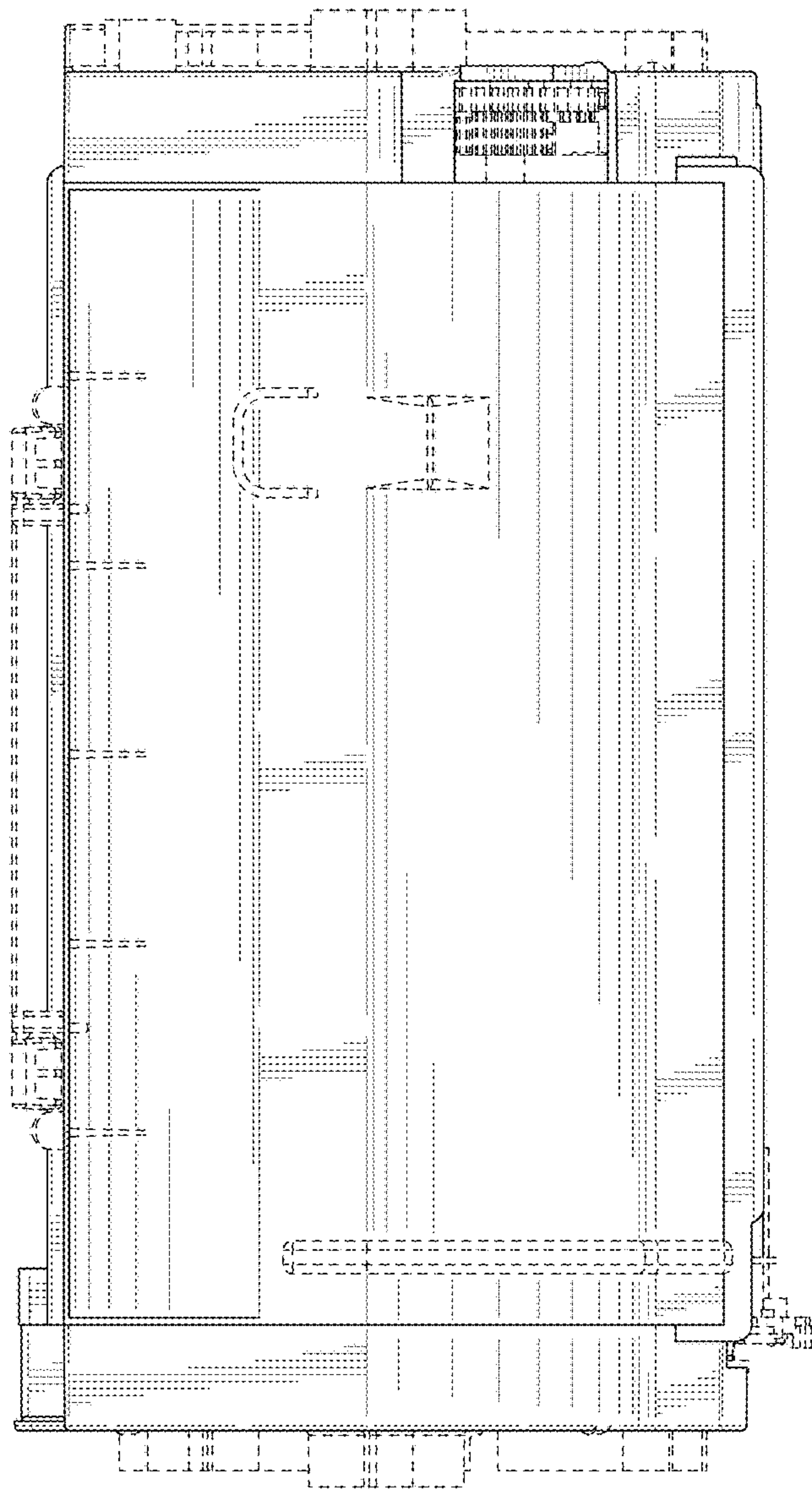


FIG. 9

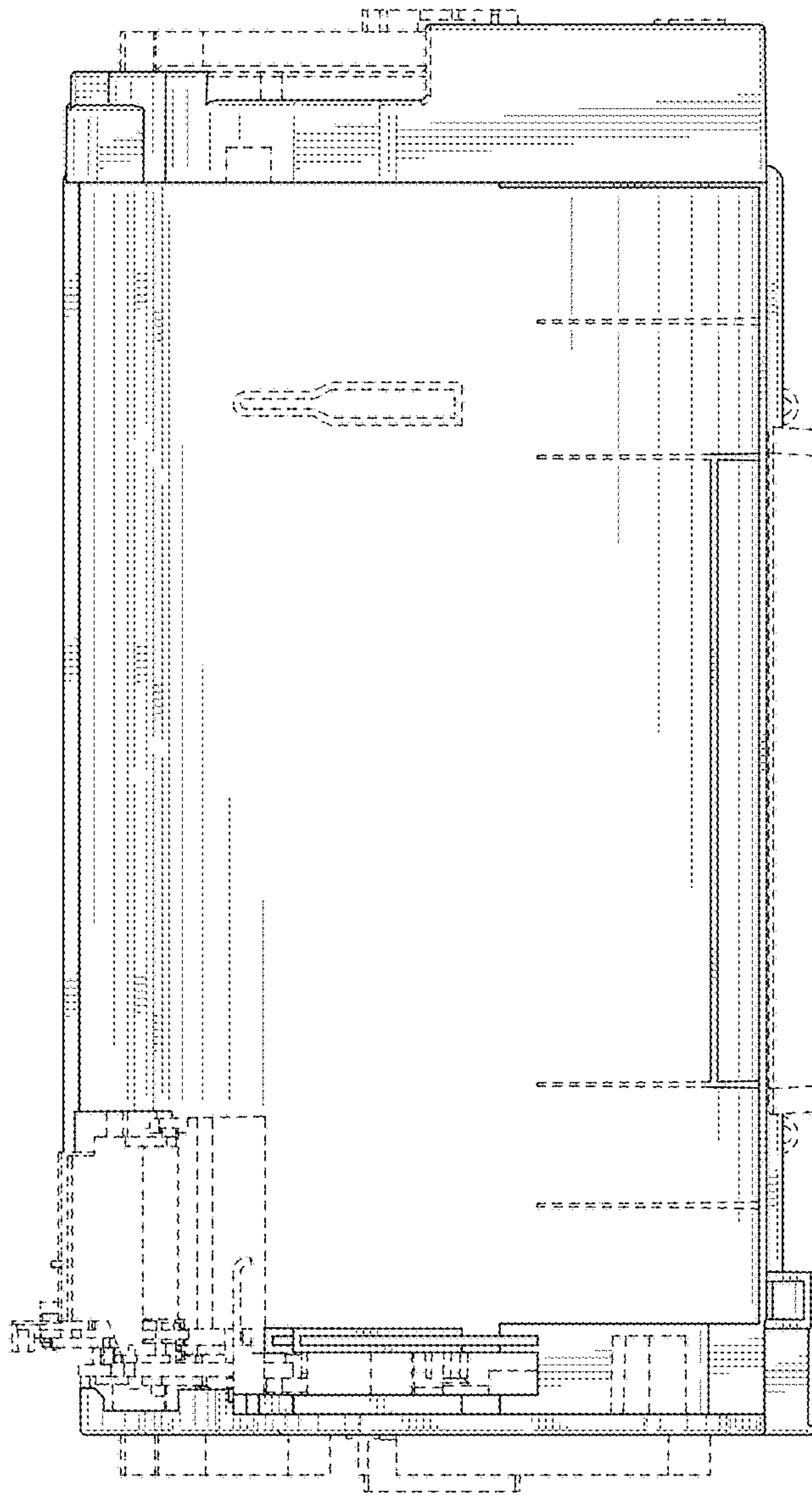


FIG. 10