



US00D841727S

(12) **United States Design Patent** (10) **Patent No.:** **US D841,727 S**
Maciel (45) **Date of Patent:** **** Feb. 26, 2019**

(54) **GUIDE FOR LENS COVER**

(71) Applicant: **Michael Edwin Maciel**, Camarillo, CA (US)

(72) Inventor: **Michael Edwin Maciel**, Camarillo, CA (US)

(**) Term: **15 Years**

(21) Appl. No.: **29/609,173**

(22) Filed: **Jun. 28, 2017**

(51) **LOC (11) Cl.** **16-06**

(52) **U.S. Cl.**
USPC **D16/330**

(58) **Field of Classification Search**
USPC D16/300-342, 101; D29/109-110;
D21/483, 659-661; 351/41, 44, 45-48,
351/51-52, 62, 158, 92, 103-123,
351/140-153, 63, 59; 2/13, 15, 426-432,
2/447-449, 441, 434-437
CPC . G02C 5/16; G02C 5/14; G02C 5/146; G02C
5/2254; G02C 5/008; G02C 2200/08;
G02C 2200/22; G02C 1/06; G02C 11/02;
G02C 11/04; A61M 2021/0044; A63B
33/002

See application file for complete search history.

(56) **References Cited**

U.S. PATENT DOCUMENTS

D82,473 S *	11/1930	Baker	D16/334
D82,474 S *	11/1930	Baker	D16/334
4,716,601 A	1/1988	McNeal		
D389,854 S *	1/1998	Nason	D16/333
D407,735 S	4/1999	Arnette		
5,915,540 A *	6/1999	Chou	A63B 33/002 2/428
D553,179 S *	10/2007	Irvine	D16/334
D682,924 S *	5/2013	Cheung	D16/334

9,161,858 B2	10/2015	Capers et al.		
2003/0147045 A1 *	8/2003	Fukuoka	G02C 5/2245 351/153
2006/0126011 A1 *	6/2006	Chen	G02C 5/2236 351/113
2006/0132706 A1 *	6/2006	Li	G02C 5/10 351/153
2007/0091253 A1 *	4/2007	Chao	G02C 9/00 351/59

(Continued)

Primary Examiner — Michelle E. Wilson

Assistant Examiner — Sanjeev Paul

(74) *Attorney, Agent, or Firm* — Koppel, Patrick, Heybl & Philpott

(57) **CLAIM**

The ornamental design for a guide for lens cover, as shown and described.

DESCRIPTION

This application is related to U.S. application Ser. No. 29/591,558, filed Jan. 20, 2017.

FIG. 1 is a top perspective view of a guide for a lens cover; FIG. 2 is a top view of the guide for a lens cover of FIG. 1; FIG. 3 is a bottom view of the guide for a lens cover of FIG. 1;

FIG. 4 is a view of the left side of the guide for a lens cover of FIG. 1;

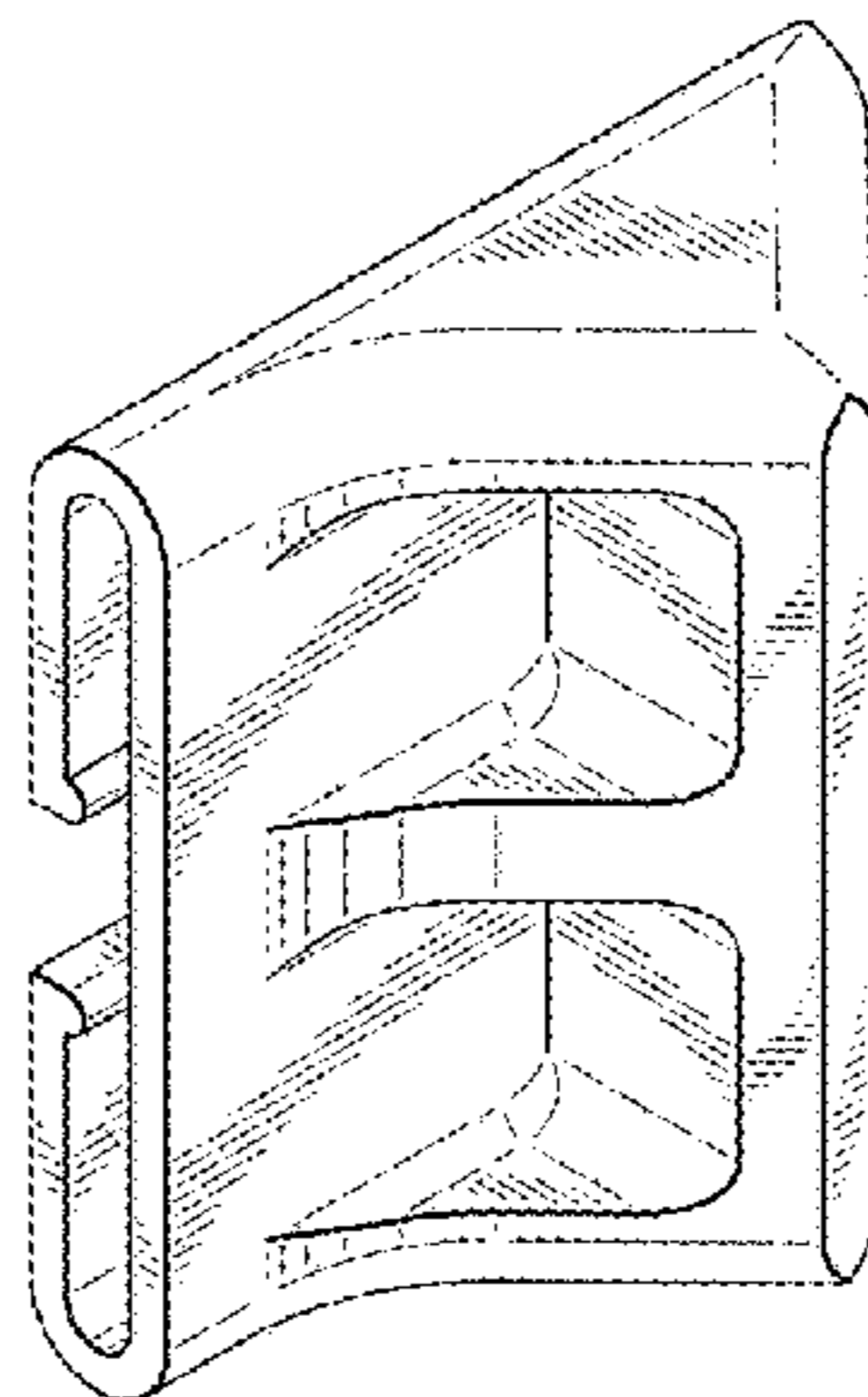
FIG. 5 is a view of the right side of the guide for a lens cover of FIG. 1;

FIG. 6 is a rear view of the guide for a lens cover of FIG. 1;

FIG. 7 is a front view of the guide for a lens cover of FIG. 1; and,

FIG. 8 is a perspective view of the guide for a lens cover of FIG. 1 shown mounted on a goggle strap adjacent the lens cover, the broken lines depicting environmental subject matter only and forming no part of the claimed design.

1 Claim, 3 Drawing Sheets



(56)

References Cited

U.S. PATENT DOCUMENTS

2008/0074608 A1* 3/2008 Chen G02C 5/2263
351/120
2009/0113608 A1* 5/2009 Chou A63B 33/002
2/452
2011/0032473 A1* 2/2011 Medana G02C 5/10
351/153
2012/0144566 A1* 6/2012 Hunt A42B 3/223
2/422
2014/0289937 A1 10/2014 Capers et al.
2015/0168741 A1* 6/2015 Esmaili G02C 5/001
351/115
2016/0116761 A1* 4/2016 Sbardella G02C 5/2245
351/153

* cited by examiner

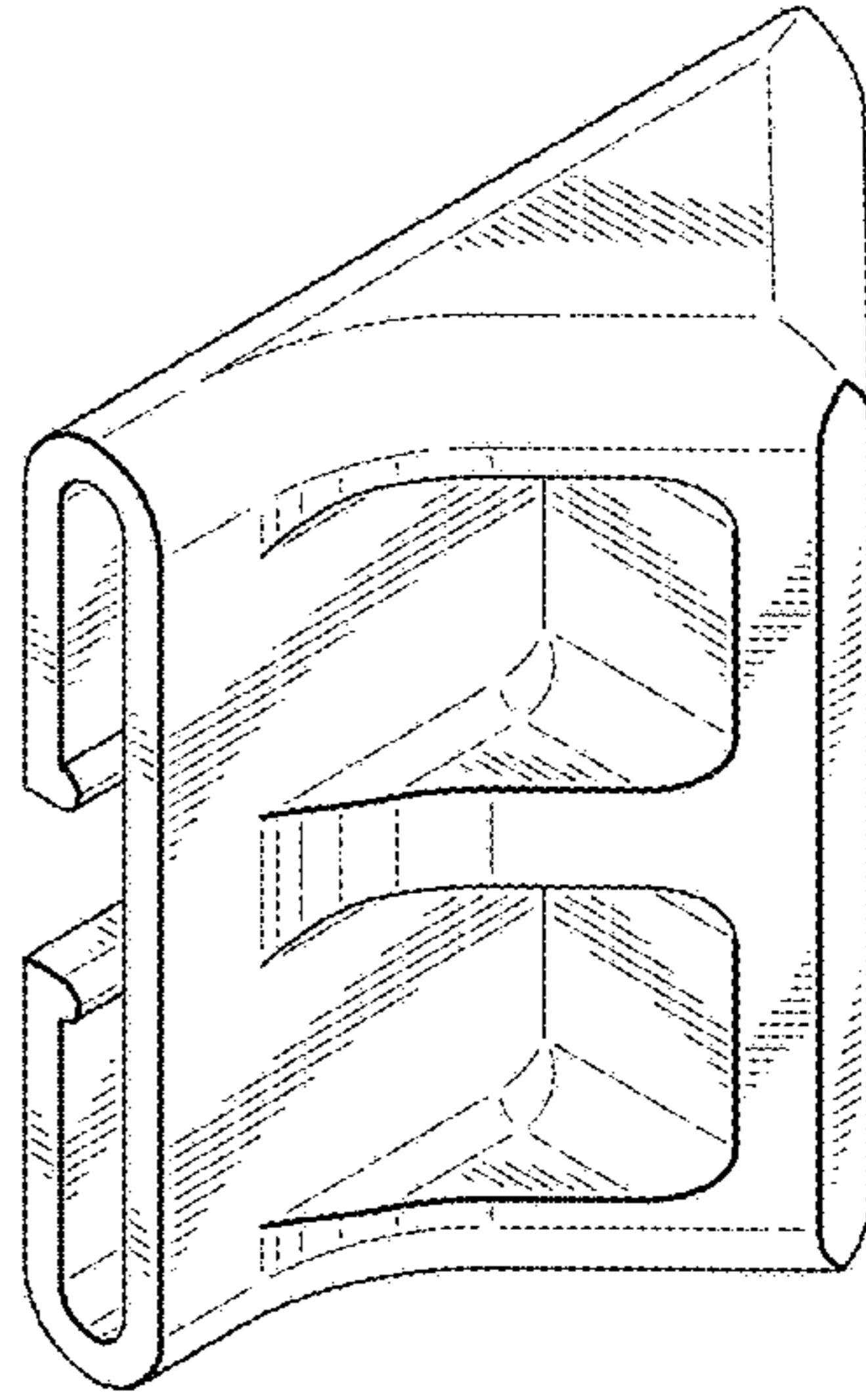


FIG. 1

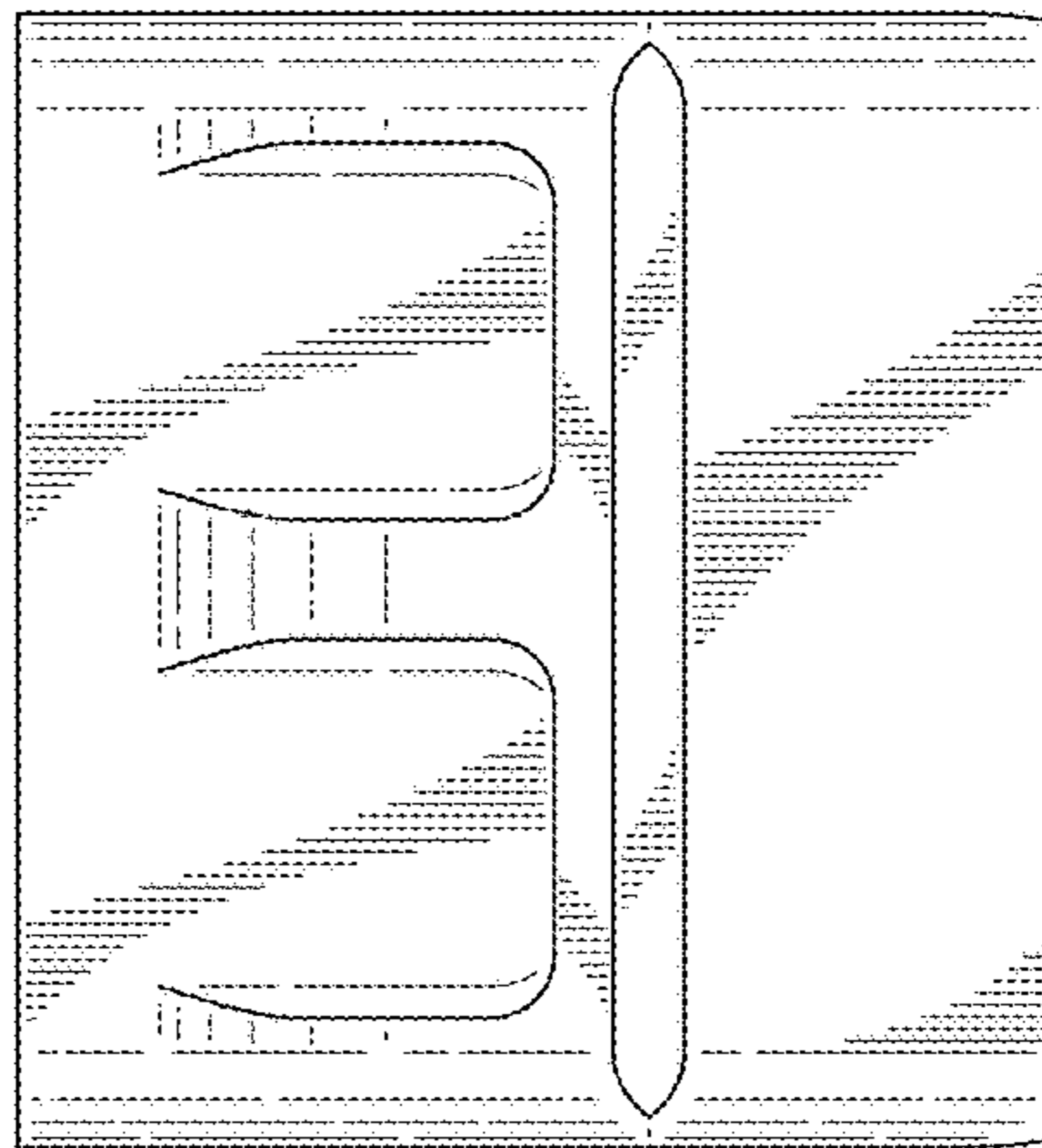


FIG. 2

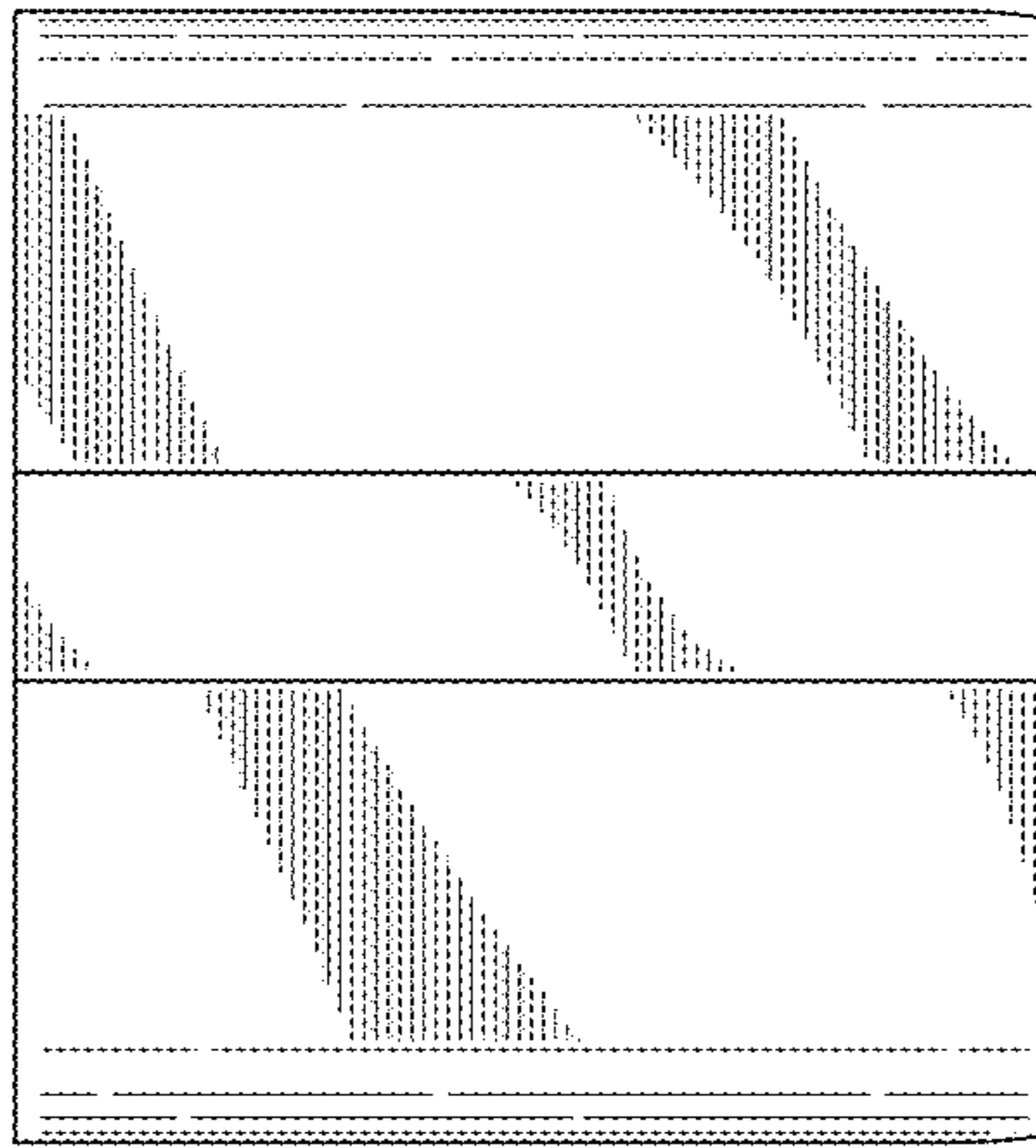


FIG. 3

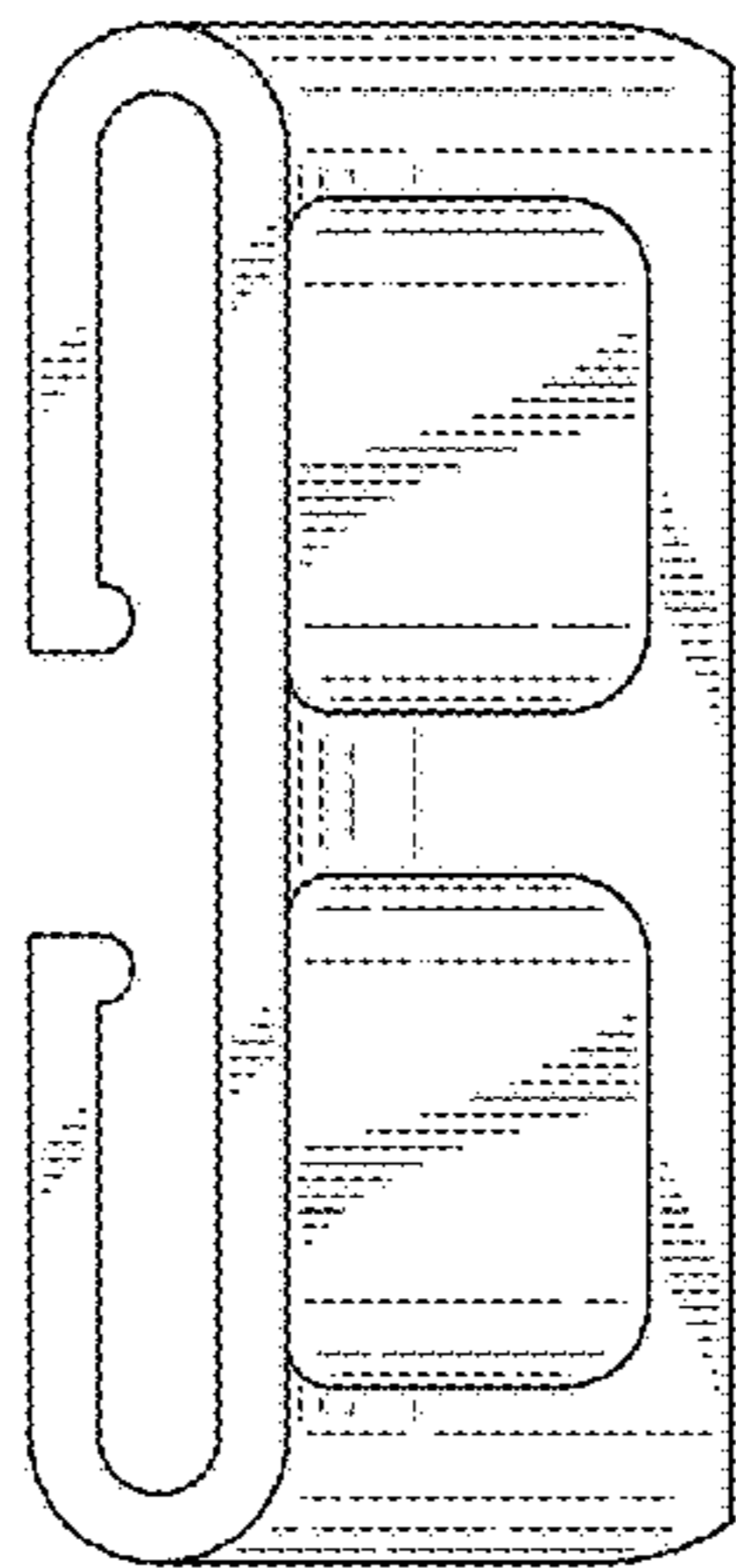


FIG. 4

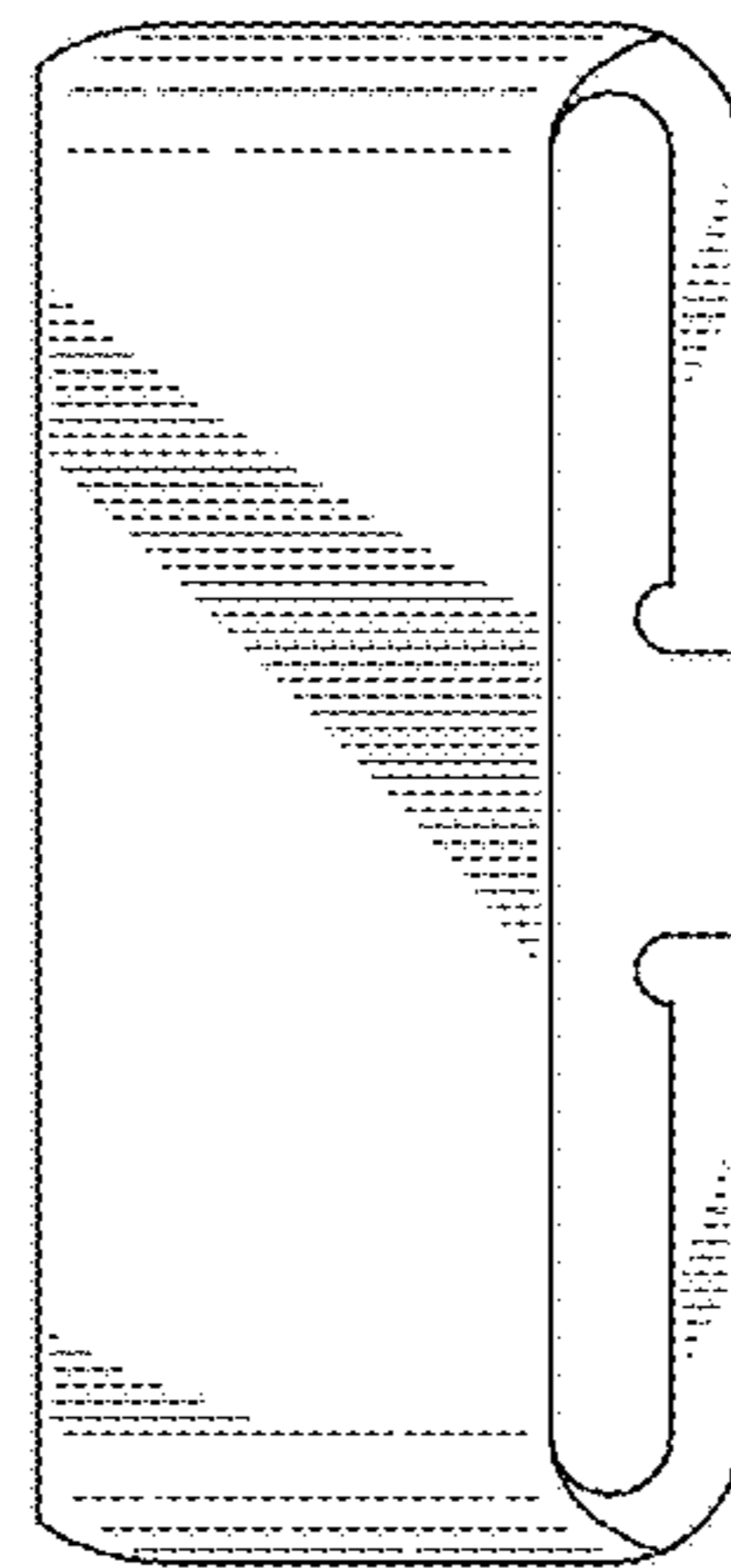


FIG. 5

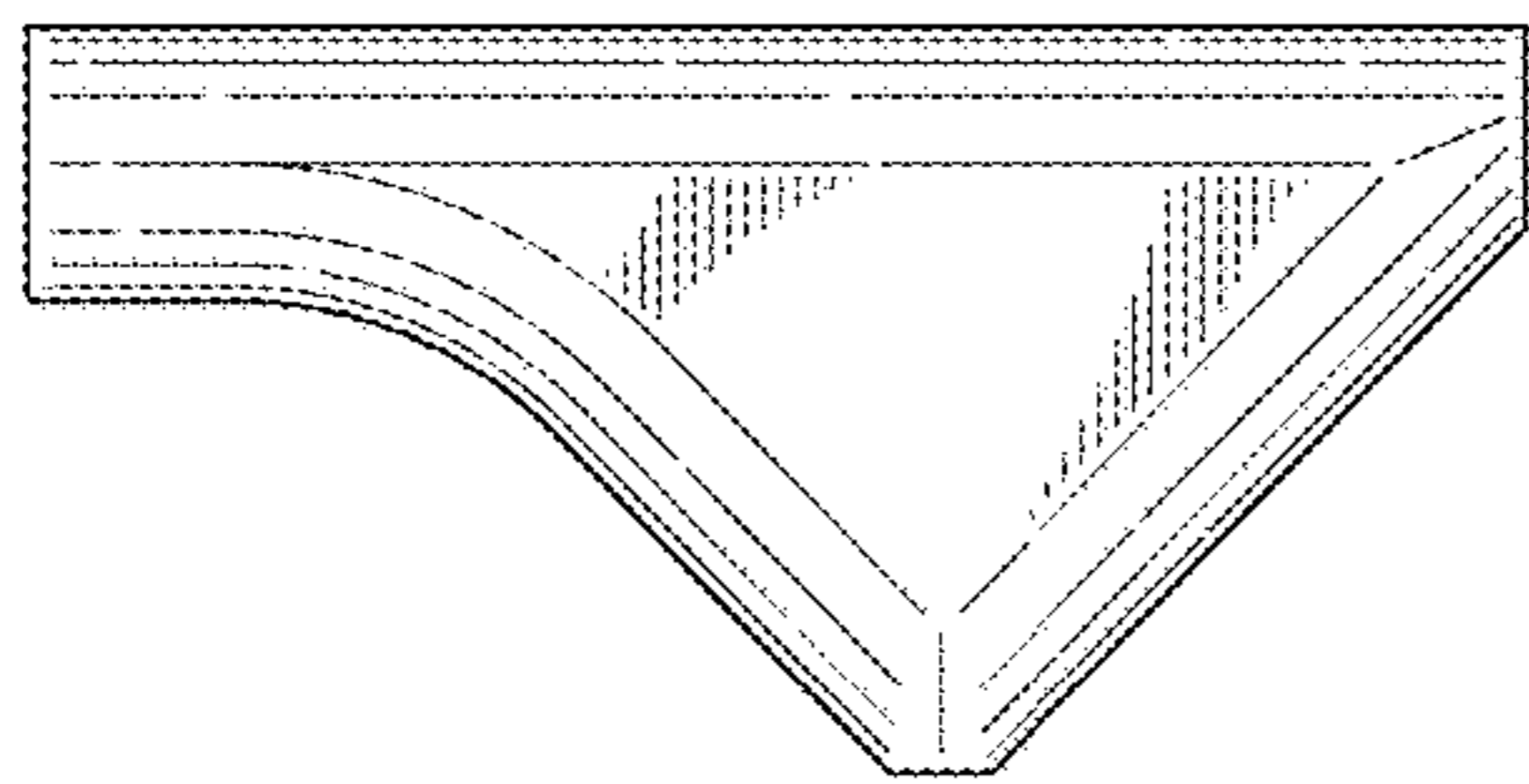


FIG. 6

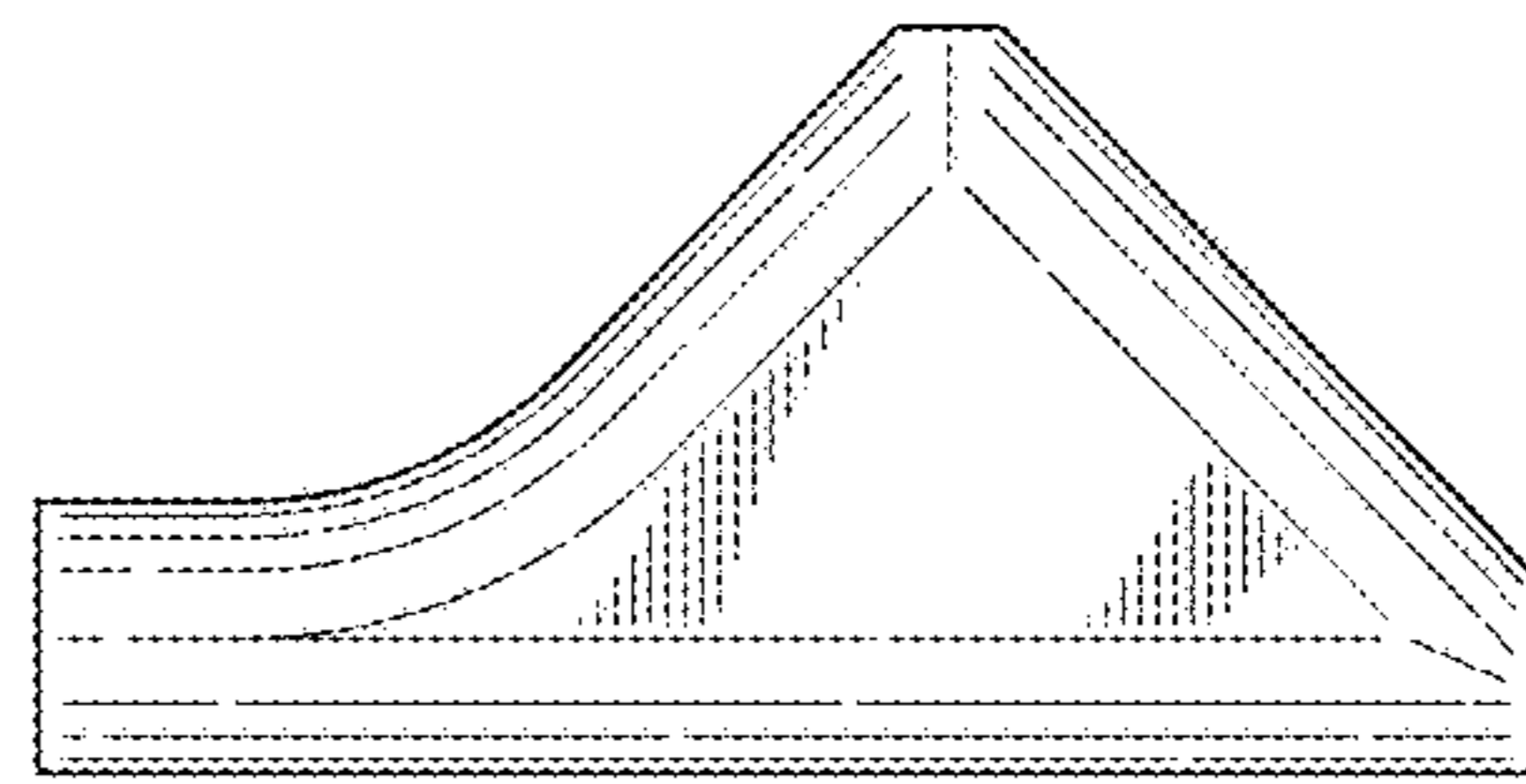


FIG. 7

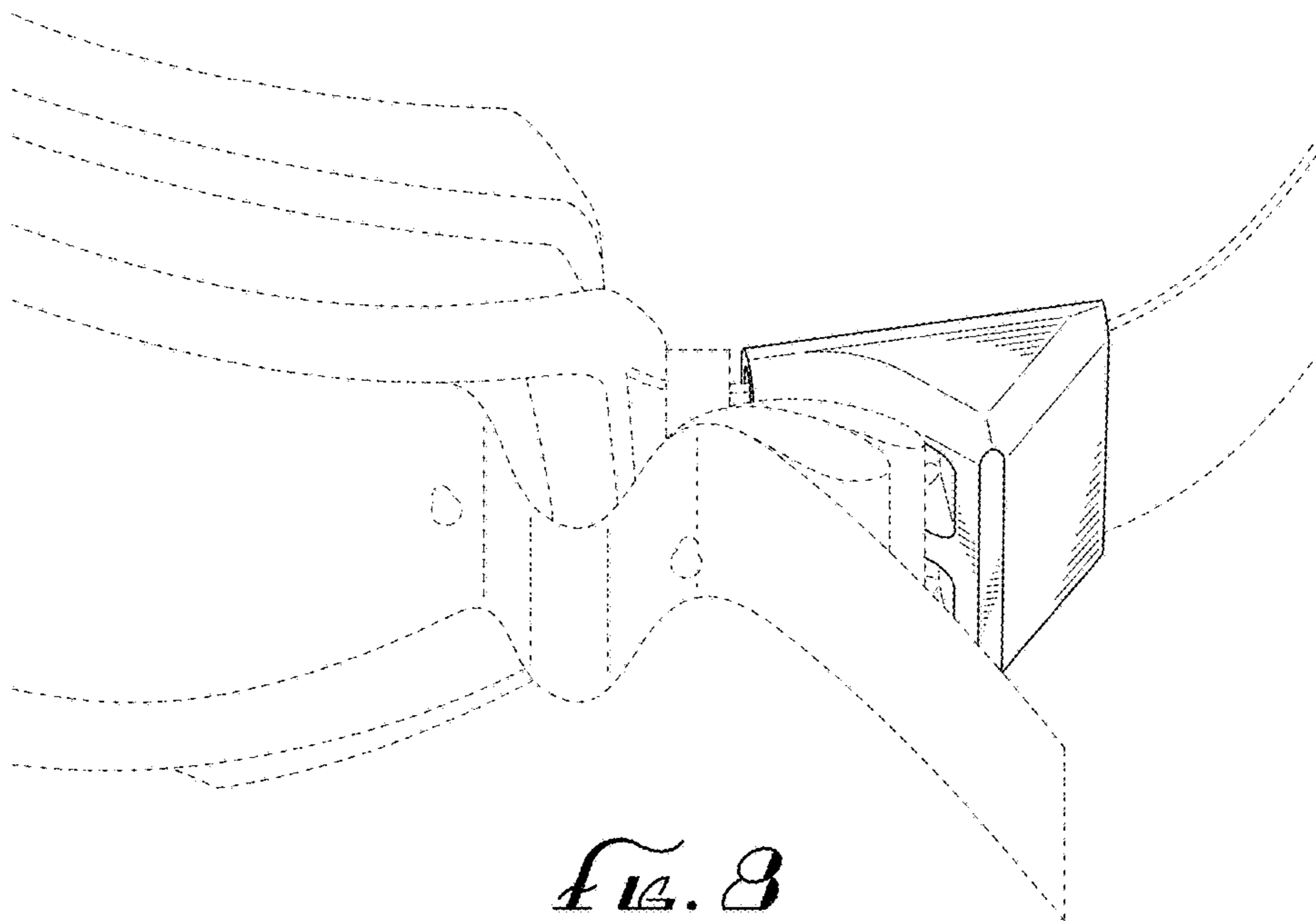


FIG. 8