



US00D841725S

(12) **United States Design Patent**
Frisancho Vera et al.

(10) **Patent No.:** **US D841,725 S**

(45) **Date of Patent:** **** Feb. 26, 2019**

(54) **STAND FOR PHOTOGRAPHIC AND CINEMATOGRAPHIC CAMERAS**

(71) Applicant: **SHOULDERPOD S.L.**, Barcelona (ES)

(72) Inventors: **Enrique Frisancho Vera**, Barcelona (ES); **Ana Maria Vicens Pedret**, Barcelona (ES)

(73) Assignee: **SHOULDERPOD S.L.**, Barcelona (ES)

(**) Term: **15 Years**

(21) Appl. No.: **29/655,050**

(22) Filed: **Jun. 29, 2018**

Related U.S. Application Data

(62) Division of application No. 29/579,364, filed on Sep. 29, 2016, now Pat. No. Des. 829,808.

(30) **Foreign Application Priority Data**

Jul. 25, 2016 (EM) 003319581

(51) **LOC (11) Cl.** **16-05**

(52) **U.S. Cl.**
USPC **D16/245**

(58) **Field of Classification Search**
USPC D16/219, 237-250; D8/18, 49
CPC G02B 7/00
See application file for complete search history.

(56) **References Cited**

U.S. PATENT DOCUMENTS

D245,830 S * 9/1977 De Gross D8/18
D296,411 S * 6/1988 Madsen D8/18

5,069,090 A * 12/1991 Clark B67B 7/14
7/105
D382,453 S * 8/1997 Drinkwater D8/18
D477,523 S * 7/2003 Malvasio D8/105
D501,773 S * 2/2005 Kohn D8/18
D560,987 S * 2/2008 Krushlin D8/49
D574,205 S * 8/2008 Krushlin D8/49
D707,747 S * 6/2014 Pelini D16/242
D754,778 S * 4/2016 Terashita D16/242
D805,866 S * 12/2017 Seiders D8/40
D805,867 S * 12/2017 Seiders D8/40
2011/0185858 A1 * 8/2011 Luo B67B 7/44
81/3.09

* cited by examiner

Primary Examiner — Garth Rademaker

Assistant Examiner — Melvin L Davis

(74) *Attorney, Agent, or Firm* — Lucas & Mercanti, LLP

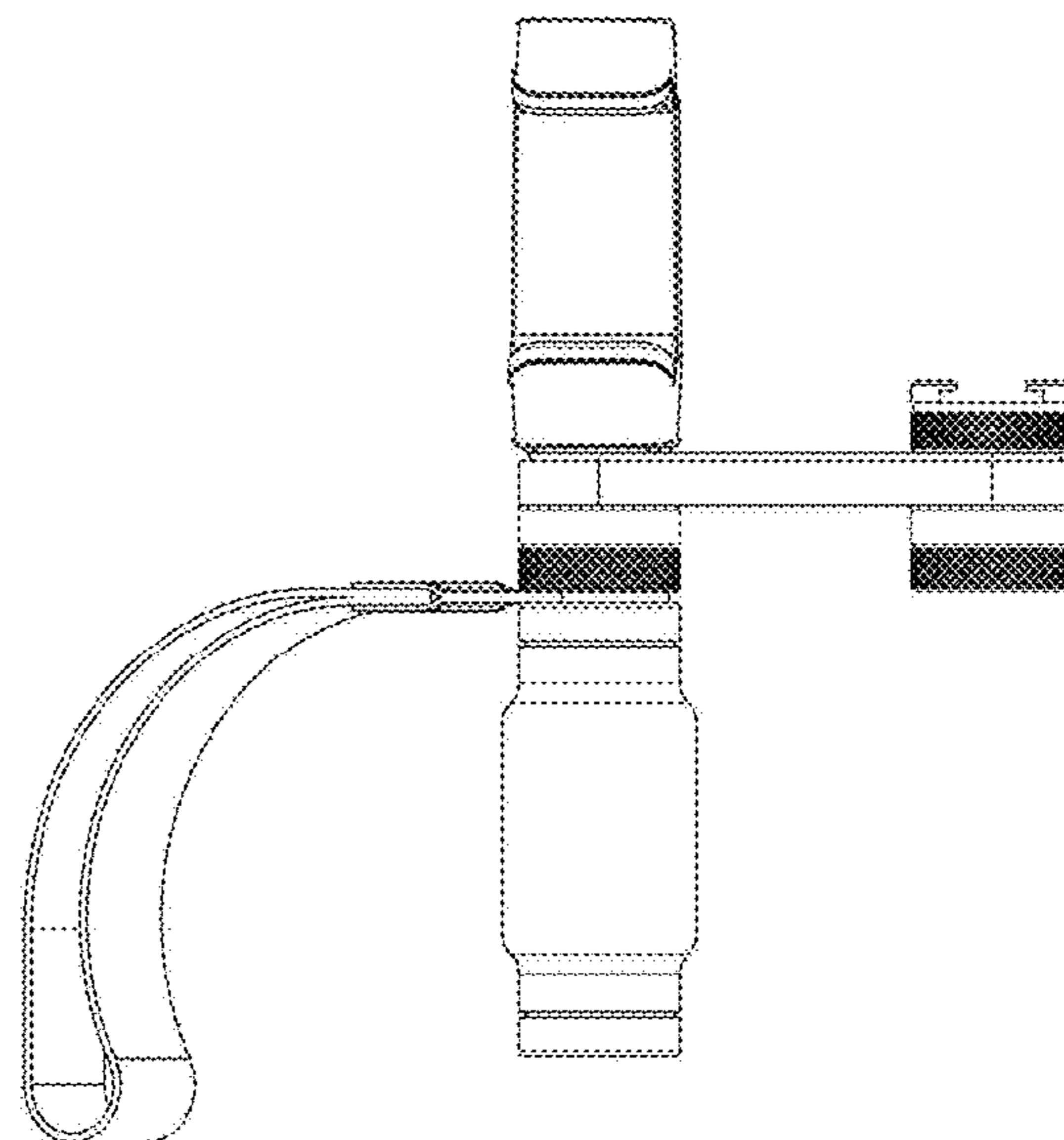
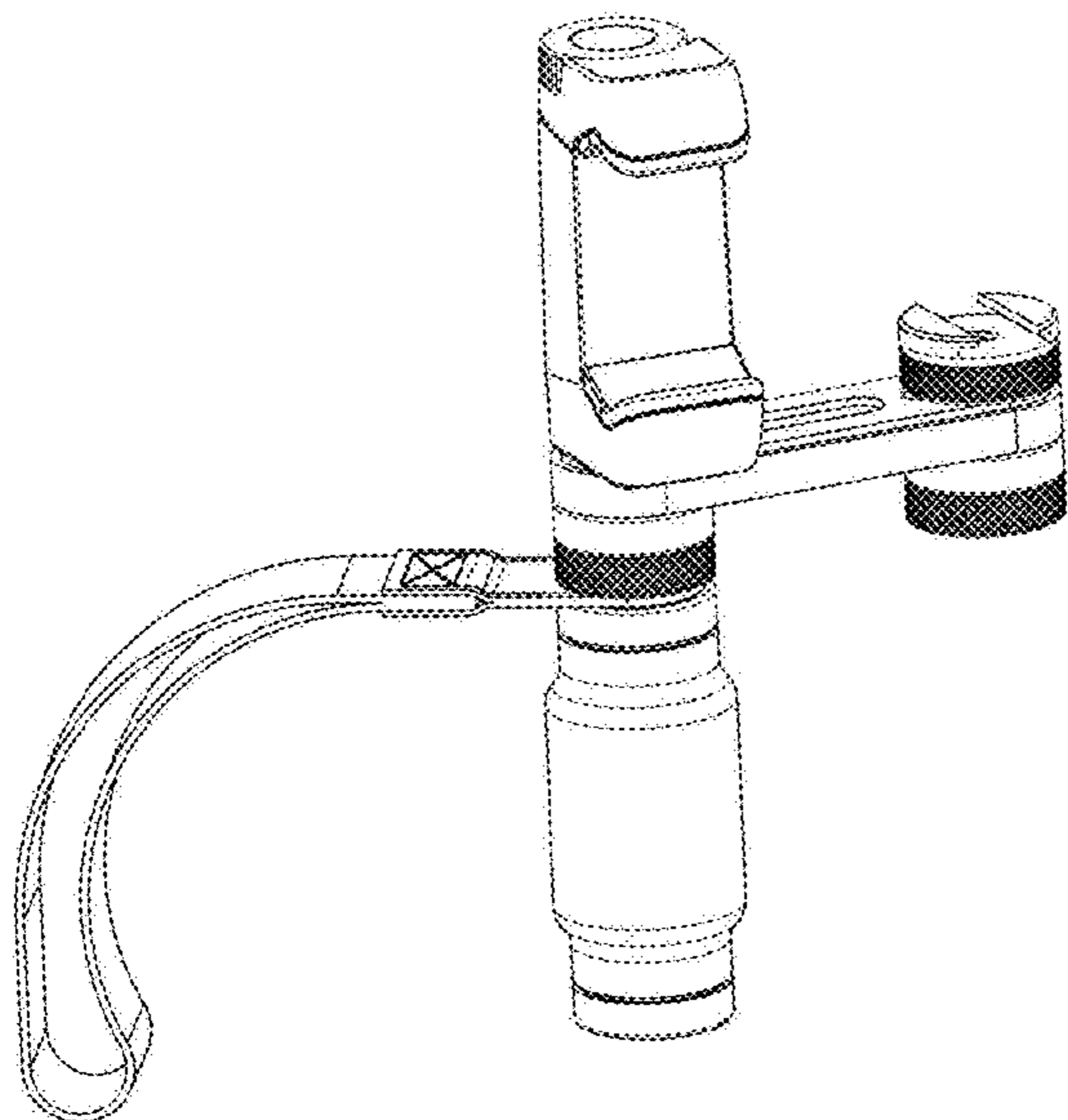
(57) **CLAIM**

The ornamental design for a stand for photographic and cinematographic cameras, as shown and described.

DESCRIPTION

FIG. 1 is an assembled front perspective view of a stand for photographic and cinematographic cameras;
FIG. 2 is a front view thereof;
FIG. 3 is a side view thereof;
FIG. 4 is a bottom perspective view thereof; and,
FIG. 5 is an exploded view thereof.
The evenly broken line shown in FIG. 5 is stitching and considered part of the claimed design.

1 Claim, 5 Drawing Sheets



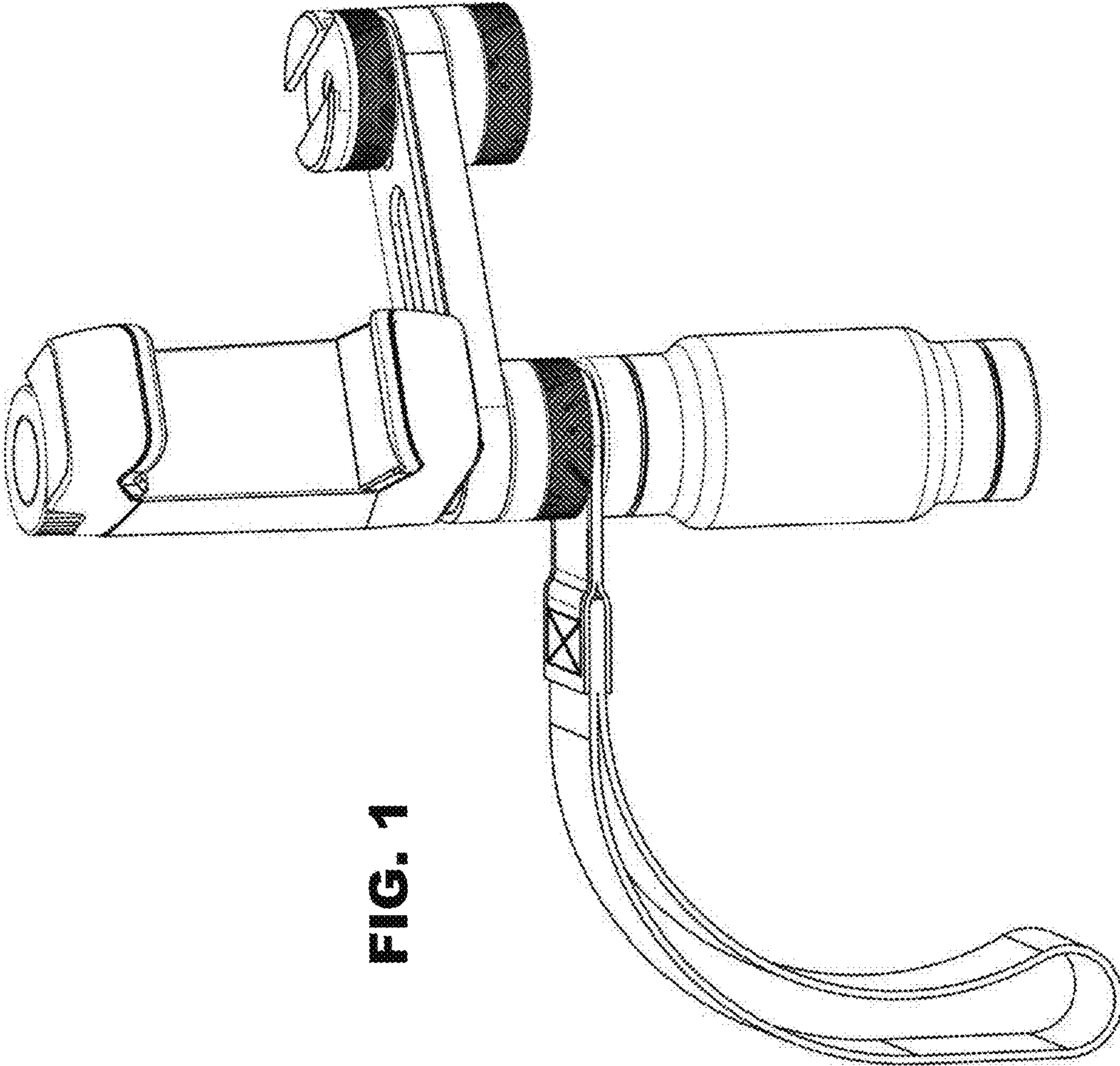


FIG. 1

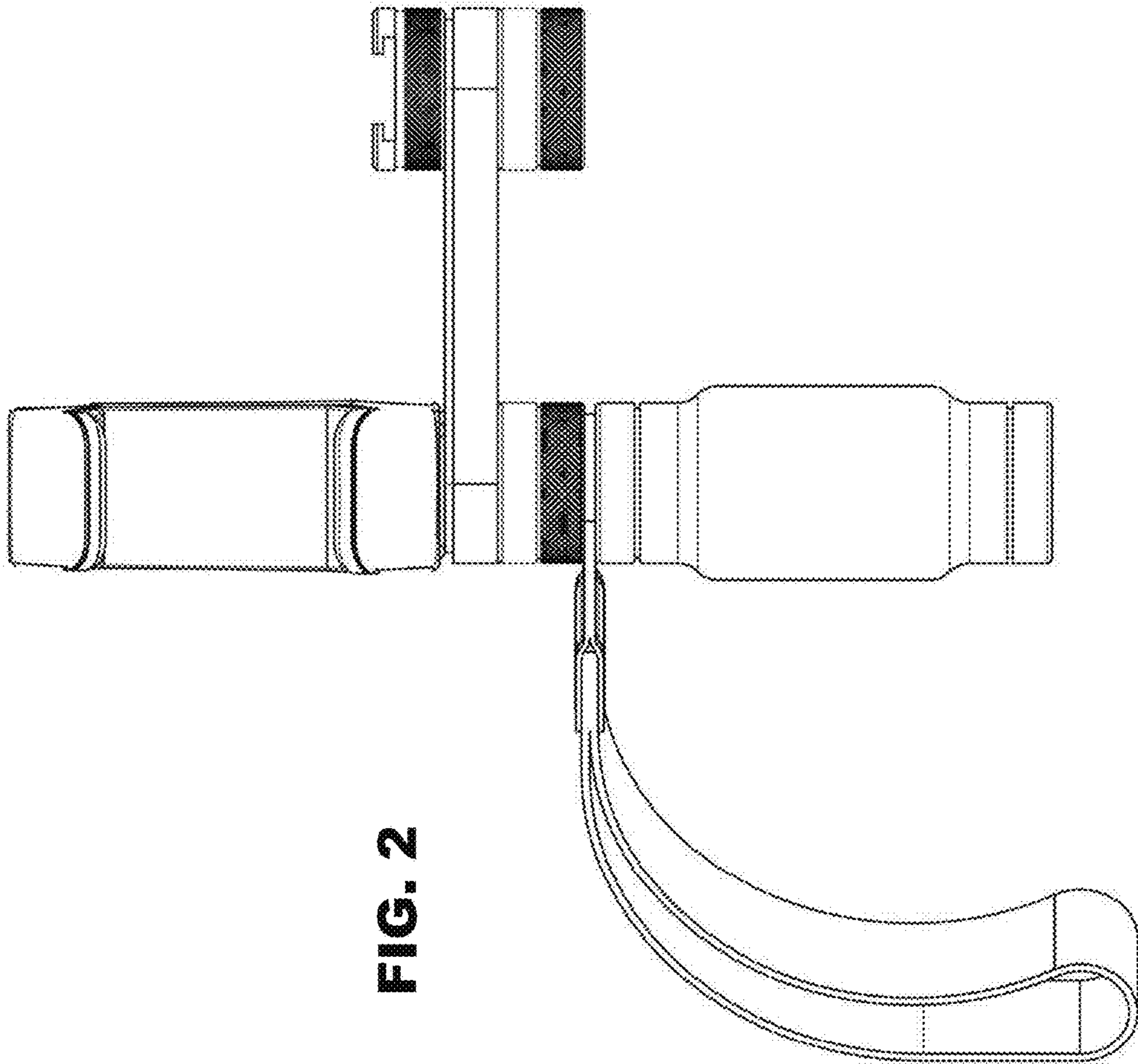


FIG. 2

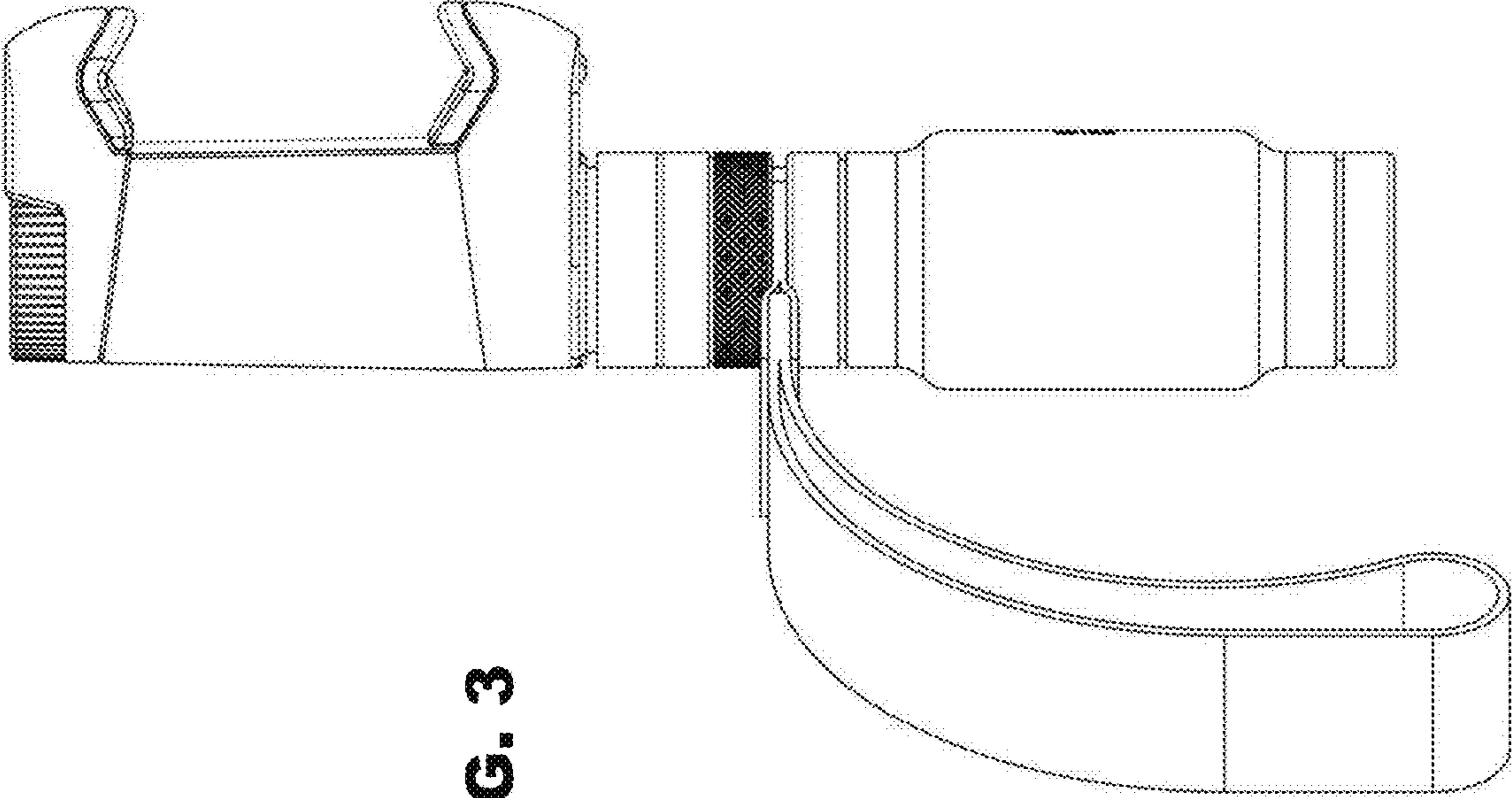


FIG. 3

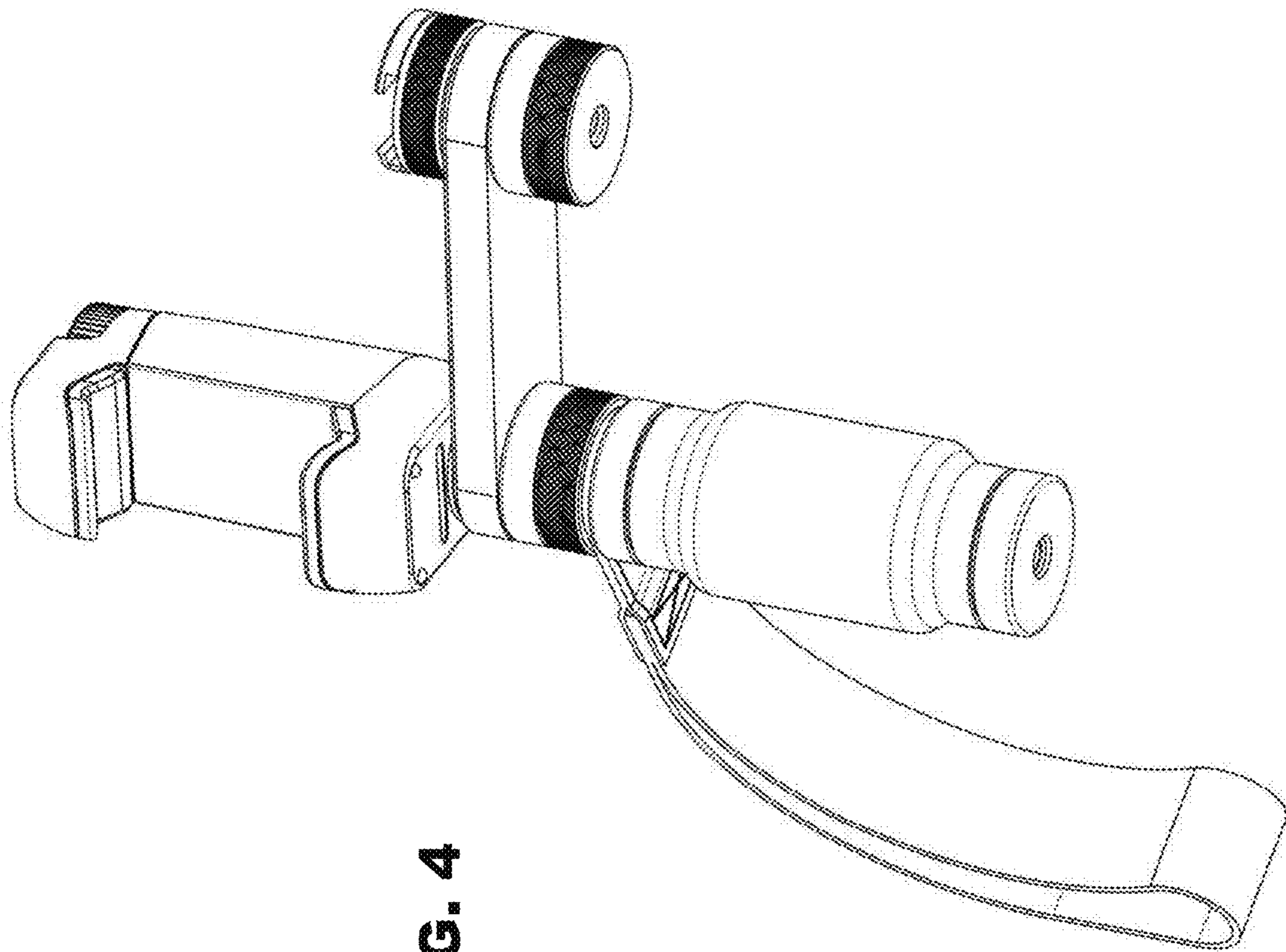


FIG. 4

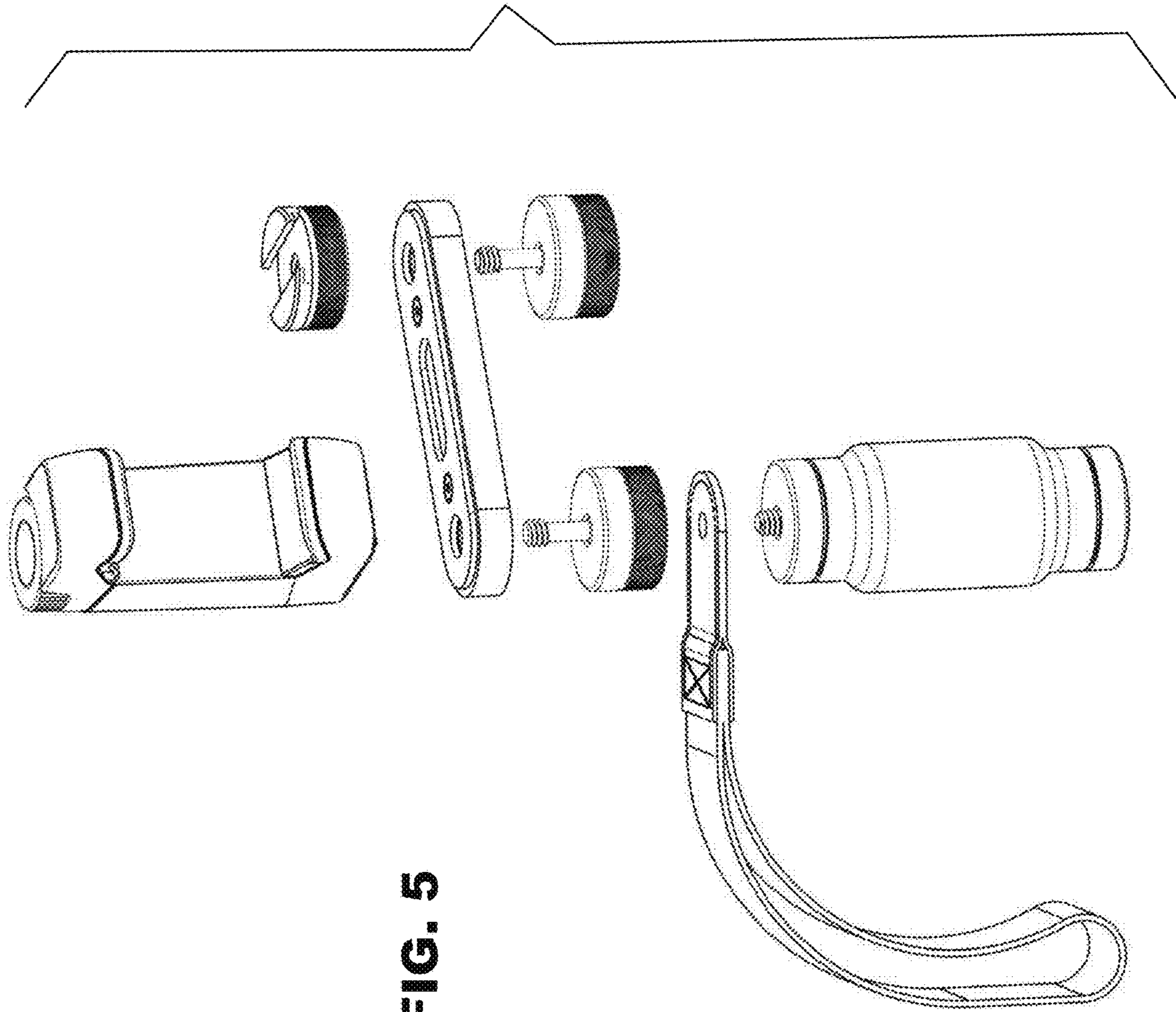


FIG. 5