



US00D841724S

(12) **United States Design Patent**
Huang

(10) **Patent No.:** **US D841,724 S**

(45) **Date of Patent:** **** Feb. 26, 2019**

(54) **SELFIE STICK**

(71) Applicant: **Xiang Huang**, Jieyang (CN)

(72) Inventor: **Xiang Huang**, Jieyang (CN)

(**) Term: **15 Years**

(21) Appl. No.: **29/619,893**

(22) Filed: **Oct. 3, 2017**

(30) **Foreign Application Priority Data**

Sep. 5, 2017 (CN) 2017 3 0416764

(51) **LOC (11) Cl.** **16-05**

(52) **U.S. Cl.**
USPC **D16/243**; D14/253

(58) **Field of Classification Search**
USPC D16/219, 237-250; D14/224, 229, 238,
D14/251, 253, 447, 451, 457
CPC G03B 17/56; G03B 17/561-17/568; A45F
5/00; A45F 5/10
See application file for complete search history.

(56) **References Cited**

U.S. PATENT DOCUMENTS

D715,791 S * 10/2014 Yu D14/253
D765,650 S * 9/2016 Huang D14/253
D779,580 S * 2/2017 Jia D16/237
D780,825 S * 3/2017 Kim D10/103
D787,499 S * 5/2017 Lee D14/253

D799,465 S * 10/2017 Sukphist D14/253
D819,118 S * 5/2018 Muhlenkamp, IV D16/243
D822,754 S * 7/2018 Fang D16/243
2018/0066792 A1 * 3/2018 Chen F16M 11/04

OTHER PUBLICATIONS

Extendable Selfie Stick Monopod. [online] Published Oct. 23, 2015. Retrieved Sep. 25, 2018 from URL: <https://www.ebay.com/p/Extendable-Selfie-Stick-Monopod-With-Bluetooth-Remote-Shutter-for-Phone-GoPro/1154452886>.*

* cited by examiner

Primary Examiner — Vy N Koenig

(74) *Attorney, Agent, or Firm* — Li & Cai Intellectual Property (USA) Office

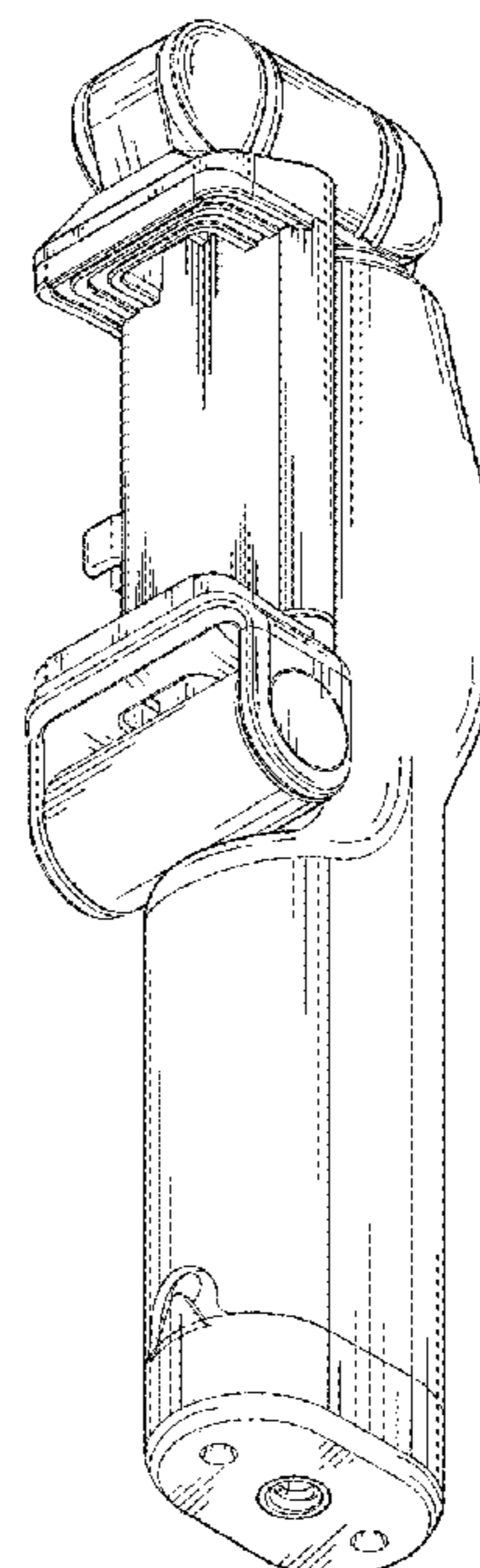
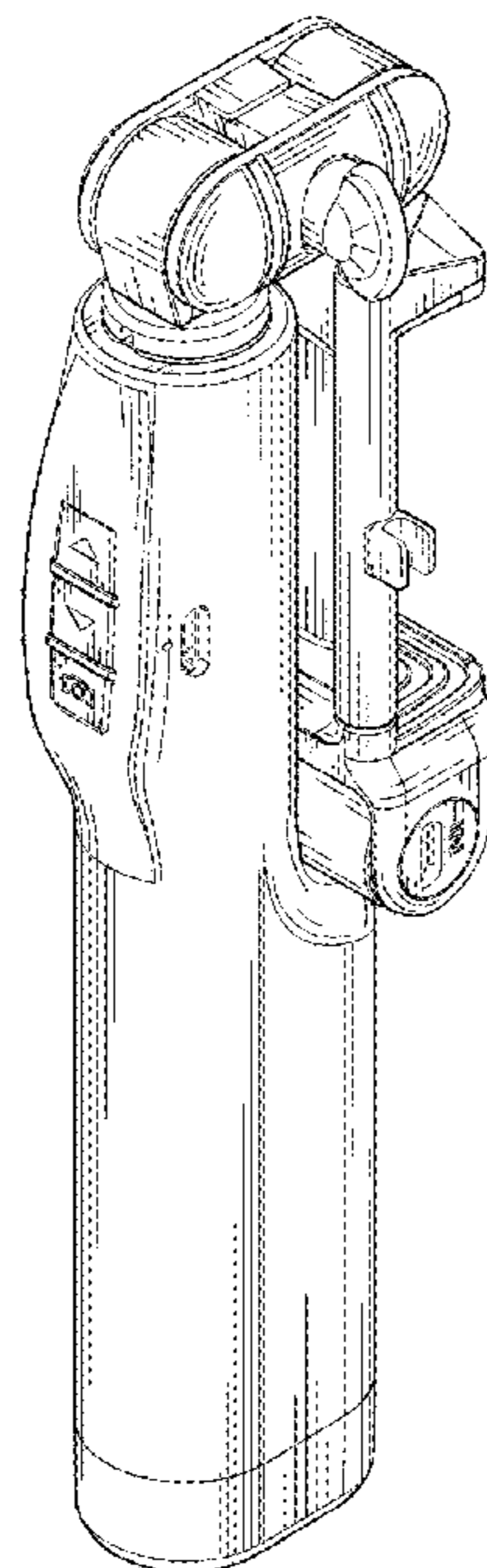
(57) **CLAIM**

The ornamental design for a selfie stick, as shown and described.

DESCRIPTION

FIG. 1 is a right, top, and front perspective view of a selfie stick showing my new design;
FIG. 2 is a front elevational view thereof;
FIG. 3 is a rear elevational view thereof;
FIG. 4 is a left side elevational view thereof;
FIG. 5 is a right side elevational view thereof;
FIG. 6 is a top plan view thereof;
FIG. 7 is a bottom plan view thereof; and,
FIG. 8 is a left, bottom and rear perspective view thereof.

1 Claim, 7 Drawing Sheets



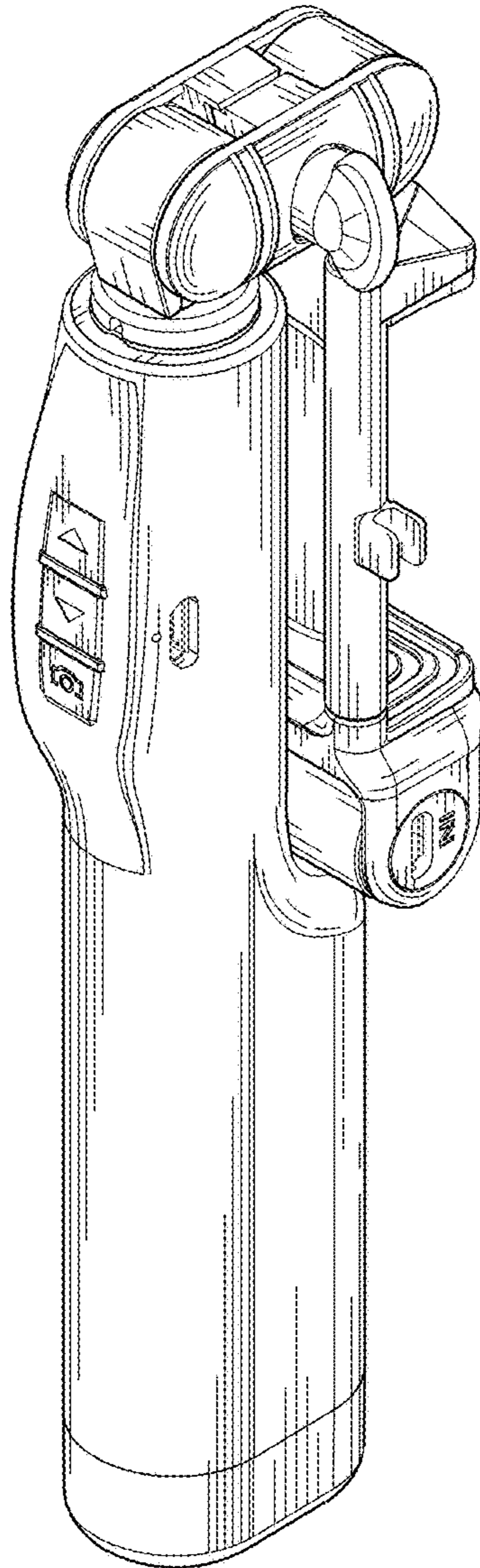


FIG. 1

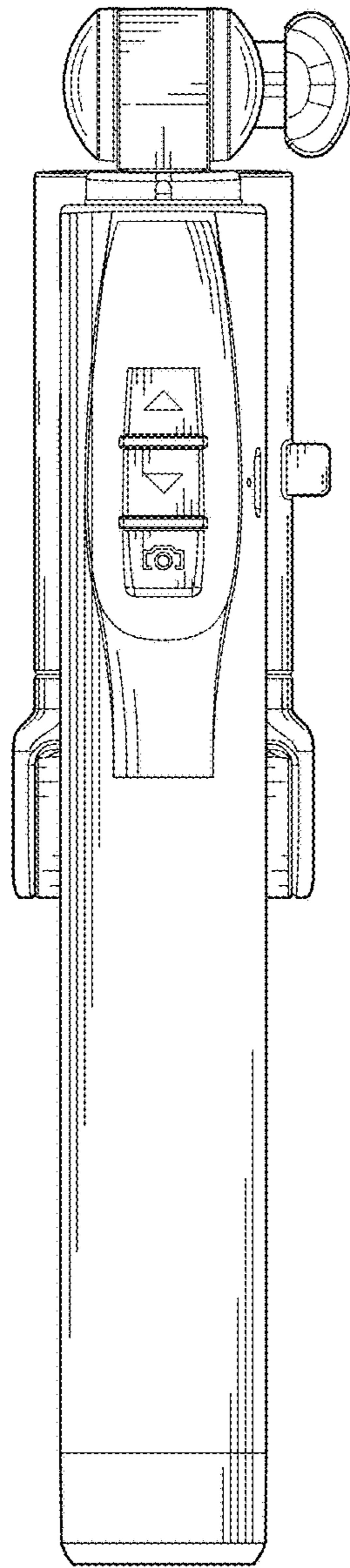


FIG. 2

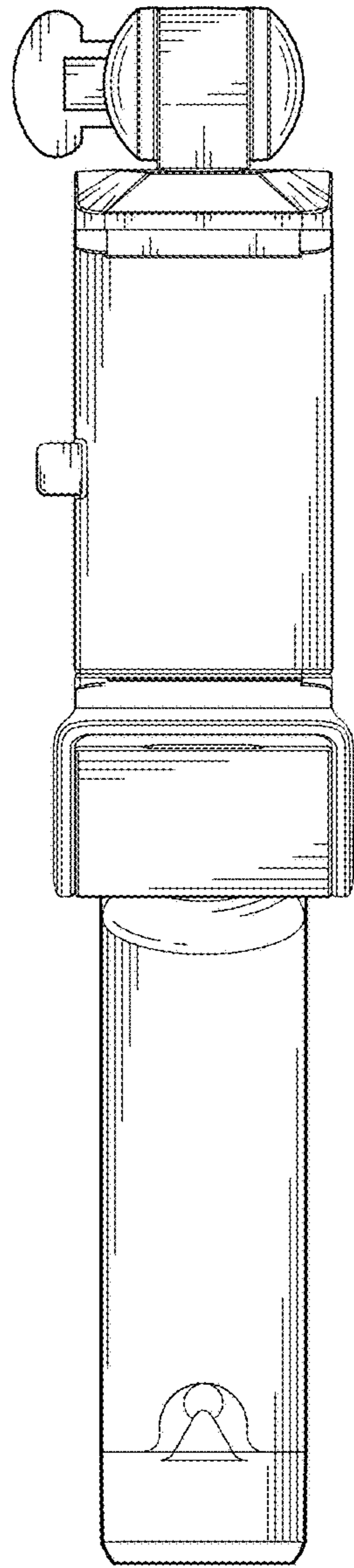


FIG. 3

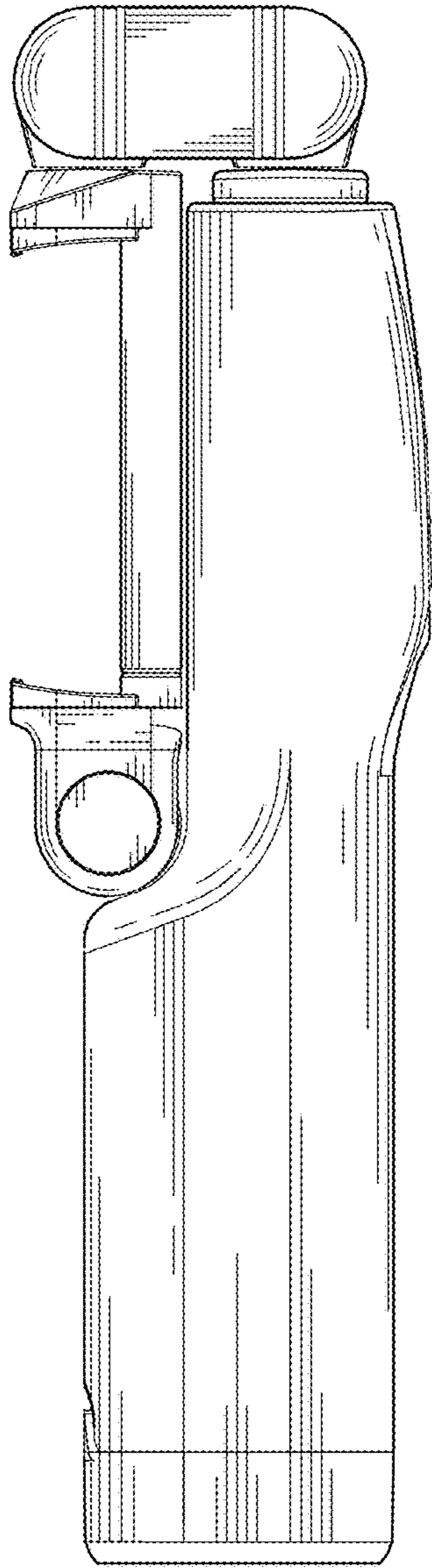


FIG. 4

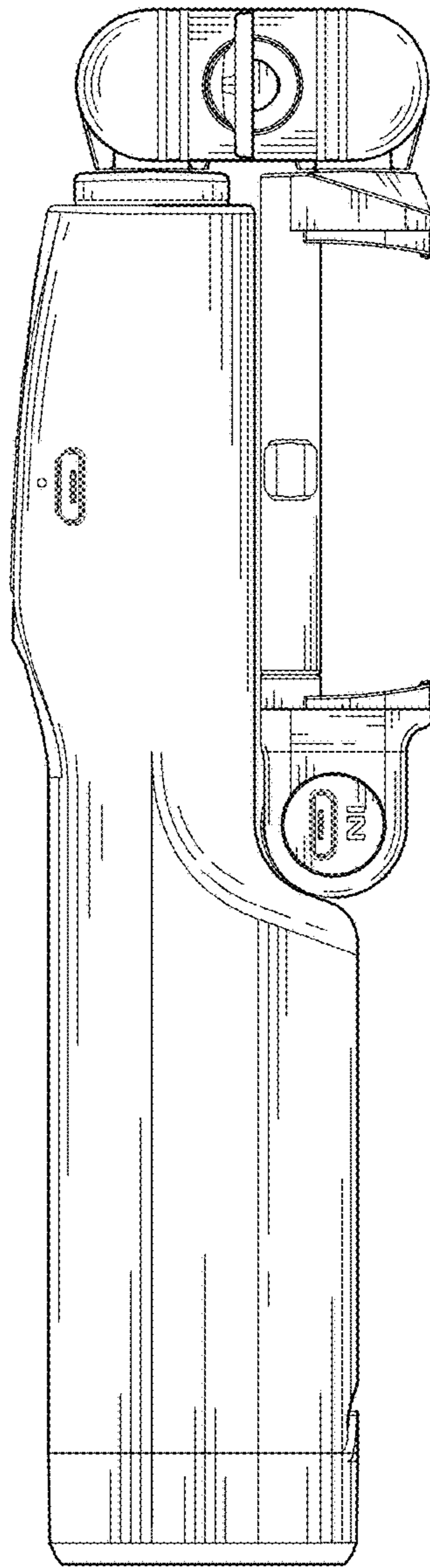


FIG. 5

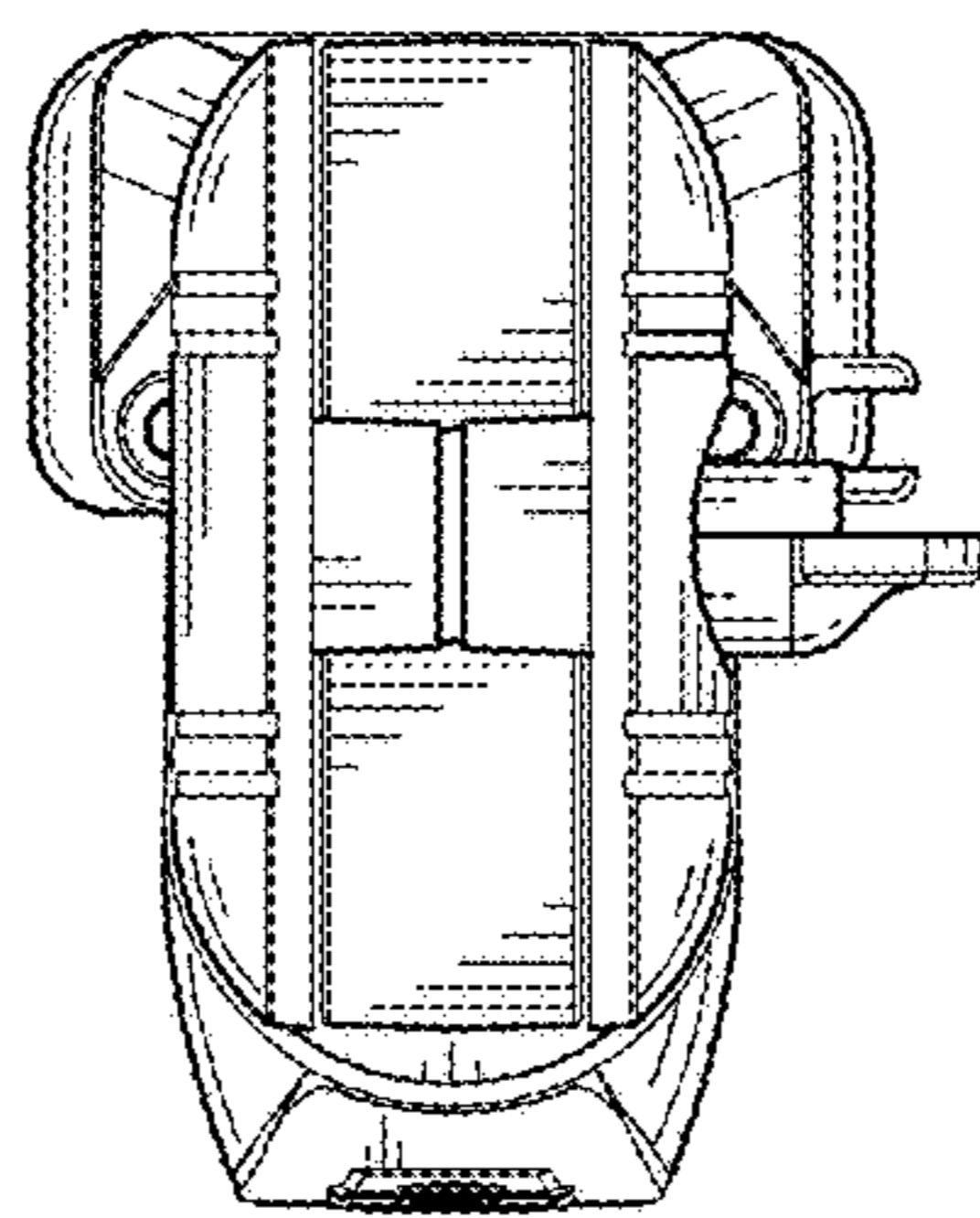


FIG. 6

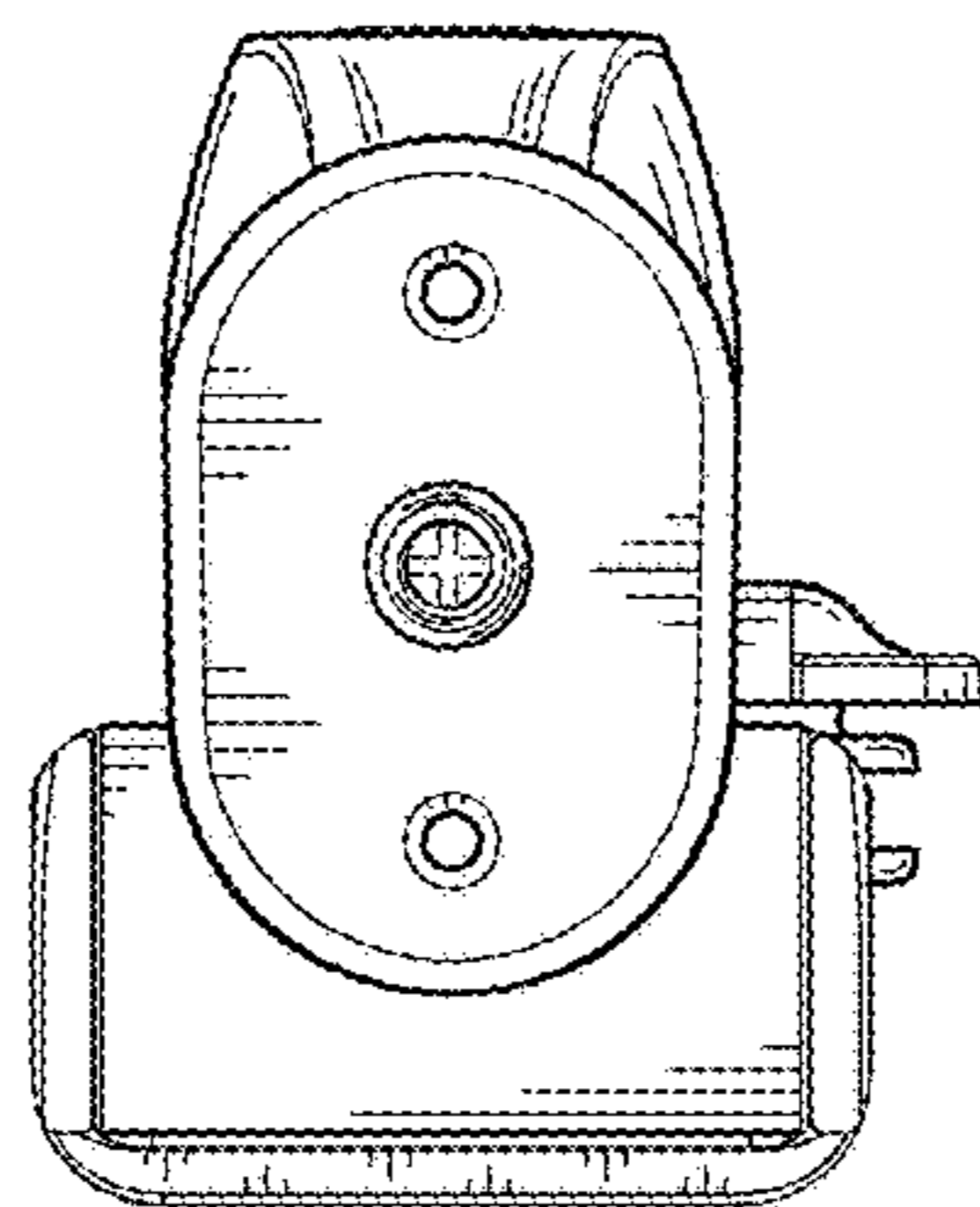


FIG. 7

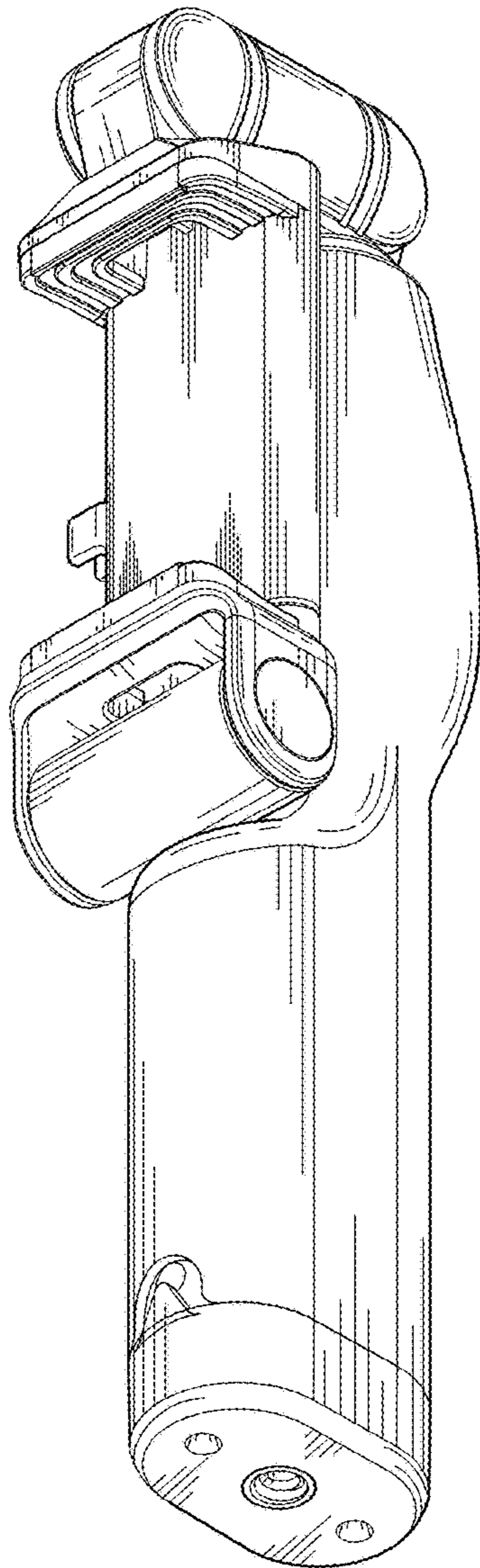


FIG. 8