



US00D841723S

(12) **United States Design Patent** (10) **Patent No.:** **US D841,723 S**  
**Rosenberg et al.** (45) **Date of Patent:** **\*\* Feb. 26, 2019**

(54) **MOUNTING DEVICE FOR A VIDEO CAMERA**

(71) Applicant: **Logitech Europe S.A.**, Lausanne (CH)

(72) Inventors: **Aron Michael Rosenberg**, Lafayette, CA (US); **Andrew Gartrell**, Walnut Creek, CA (US); **Gaurav Bradoo**, San Francisco, CA (US); **Timucin Kip**, Burlingame, CA (US)

(73) Assignee: **Logitech Europe S.A.**, Lausanne (CH)

(\*\*) Term: **15 Years**

(21) Appl. No.: **29/612,539**

(22) Filed: **Aug. 1, 2017**

(51) **LOC (11) Cl.** ..... **16-05**

(52) **U.S. Cl.**  
USPC ..... **D16/242**

(58) **Field of Classification Search**  
USPC ..... D16/219, 237-250; D14/224, 229, 238, D14/251, 253, 447, 451, 457; D8/354, D8/355, 363, 373, 382, 383, 394, 395, D8/396  
CPC ..... A45F 5/00; F16M 11/06-11/10; G02B 7/00-7/002; G03B 17/56; G03B 17/561; G03B 17/563; G03B 17/565; G03B 17/566; G03B 17/568; H04N 5/2253-5/2254

See application file for complete search history.

(56) **References Cited**

**U.S. PATENT DOCUMENTS**

D364,795 S \* 12/1995 Mekyska ..... D8/354  
D383,053 S \* 9/1997 Schrader ..... D23/262

(Continued)

**OTHER PUBLICATIONS**

Logitech Circle 2 1 Wired 2MP & 2 Wire.[online] Retrieved May 10, 2018 from URL: [https://www.bhphotovideo.com/c/product/1388992-REG/logitech\\_961\\_000473\\_circle\\_2\\_multi\\_pack.html](https://www.bhphotovideo.com/c/product/1388992-REG/logitech_961_000473_circle_2_multi_pack.html).\*

(Continued)

*Primary Examiner* — Vy N Koenig  
(74) *Attorney, Agent, or Firm* — Kilpatrick Townsend & Stockton LLP

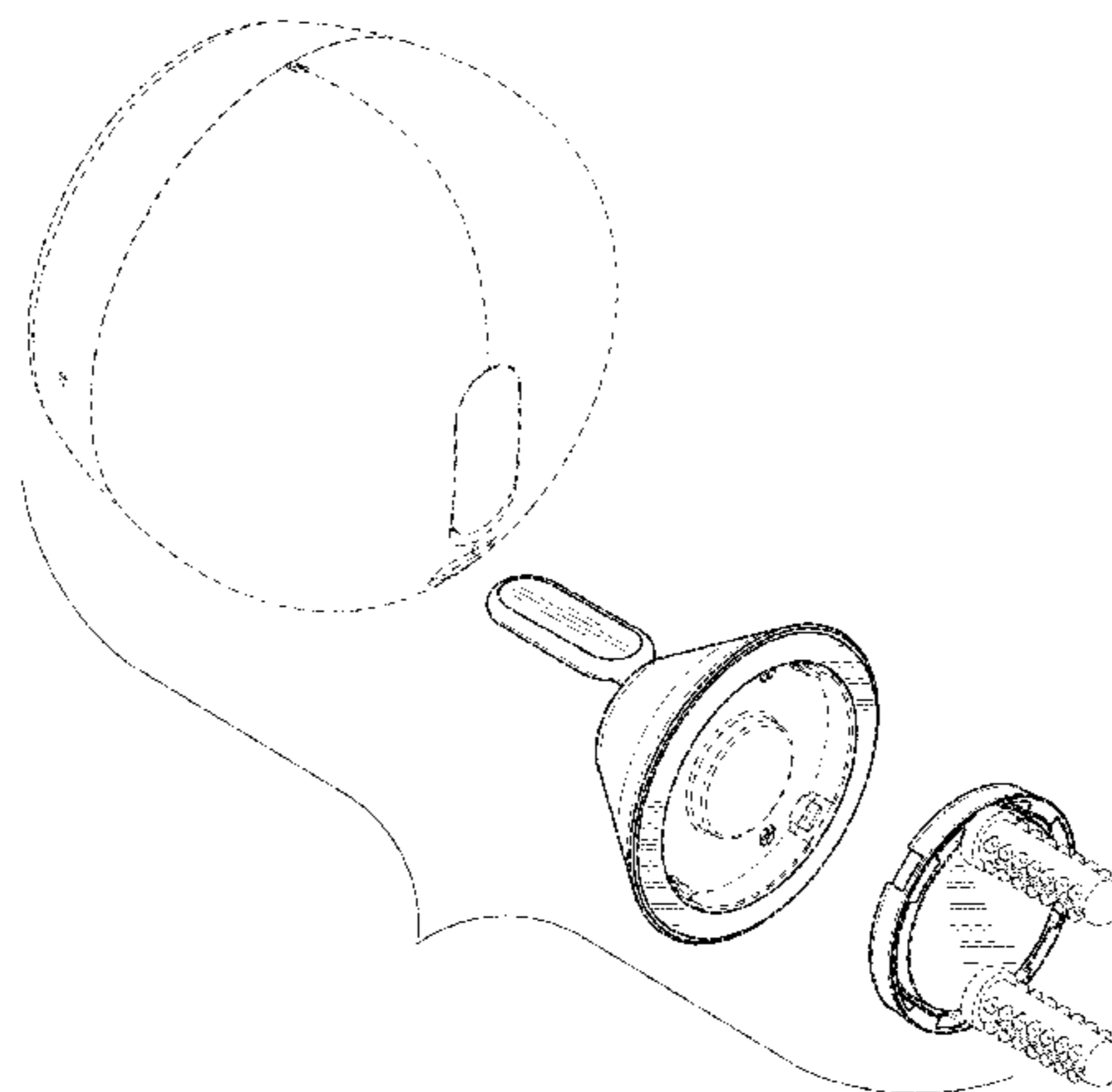
(57) **CLAIM**

The ornamental design for a mounting device for a video camera, as shown and described.

**DESCRIPTION**

FIG. 1 is a perspective view of a mounting device for a video camera showing our new design coupled to a video camera accessory;  
FIG. 2 is a second perspective view of thereof;  
FIG. 3 is a third perspective view thereof presented in an exploded view with a claimed mounting plate portion decoupled from a claimed base portion;  
FIG. 4 is a fourth perspective view thereof presented in an exploded view with the claimed mounting plate portion decoupled from the claimed base portion;  
FIG. 5 is a front elevation view thereof;  
FIG. 6 is a rear elevation view thereof;  
FIG. 7 is a top plan view thereof;  
FIG. 8 is a bottom plan view thereof;  
FIG. 9 is a left side elevation view thereof; and  
FIG. 10 is a right side elevation view thereof.  
FIG. 11 is a front elevation view of the mounting device for a video camera showing our new design separated from the video camera accessory with the claimed mounting plate removed to show the underlying base portion;  
FIG. 12 is a rear elevation view thereof;  
FIG. 13 is a top plan view thereof;  
FIG. 14 is a bottom plan view thereof;  
FIG. 15 is a left side elevation view thereof; and,  
FIG. 16 is a right side elevation view thereof.  
Broken lines in the drawings depict environmental subject matter and form no part of the claimed design.

**1 Claim, 8 Drawing Sheets**



(56)

**References Cited**

U.S. PATENT DOCUMENTS

D430,790 S \* 9/2000 Kuo ..... D8/363  
 D431,451 S \* 10/2000 Kuo ..... D8/367  
 D485,743 S \* 1/2004 Wilson, Sr. .... D8/354  
 D529,065 S \* 9/2006 Watanabe ..... D16/134  
 D745,079 S \* 12/2015 Oh ..... D16/136  
 D749,666 S \* 2/2016 Ahdoot ..... D14/218  
 D766,702 S \* 9/2016 Hope ..... D8/354  
 D769,957 S \* 10/2016 Hinkel ..... D16/219  
 D784,438 S \* 4/2017 Rondinelli ..... D16/242  
 9,948,837 B1 \* 4/2018 Gartrell ..... B60R 11/04  
 2012/0062789 A1 \* 3/2012 Sasaki ..... G03B 17/00  
 348/373  
 2012/0106943 A1 \* 5/2012 Mukai ..... G03B 37/00  
 396/427

2013/0287385 A1 \* 10/2013 Andersson ..... H04N 5/2252  
 396/427  
 2015/0177596 A1 \* 6/2015 Bergsten ..... F16M 13/022  
 248/205.1  
 2017/0139310 A1 \* 5/2017 Yasuda ..... G02B 27/0006  
 2017/0255083 A1 \* 9/2017 Donaldson ..... G03B 17/02  
 2017/0299949 A1 \* 10/2017 Donaldson ..... G03B 17/02

OTHER PUBLICATIONS

Megapixel M12x0.5 Mount Waterproof Sharp Cone Pinhole Lens for covert cameras. [online] Retrieved May 9, 2018 from URL:<http://www.megapixellenses.com/sale-8078449-2-8-3-7-4-3-6mm-megapixel-m12x0-5-mount-waterproof-sharp-cone-pinhole-lens-for-covert-cameras.html>.\*

\* cited by examiner

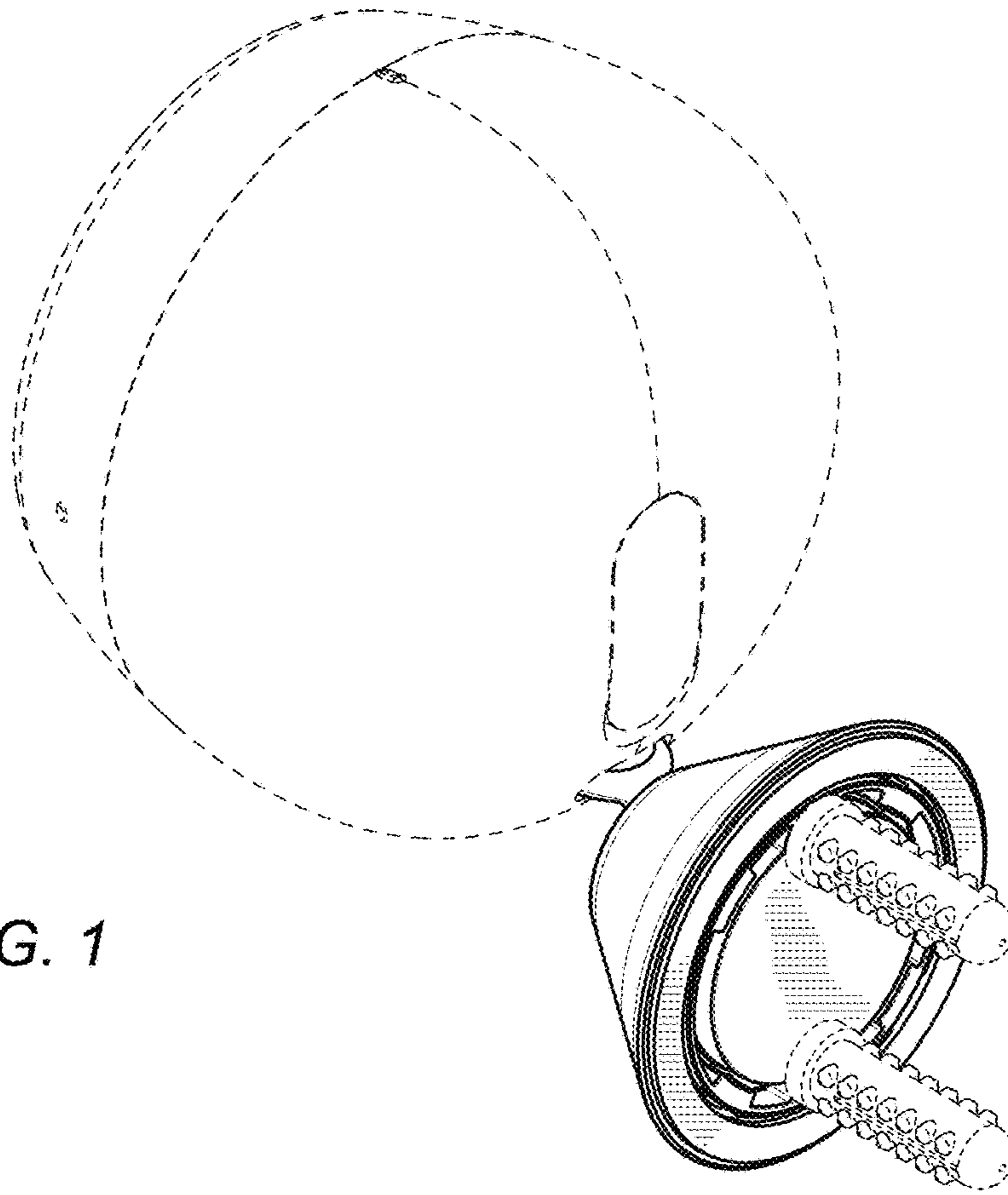


FIG. 1

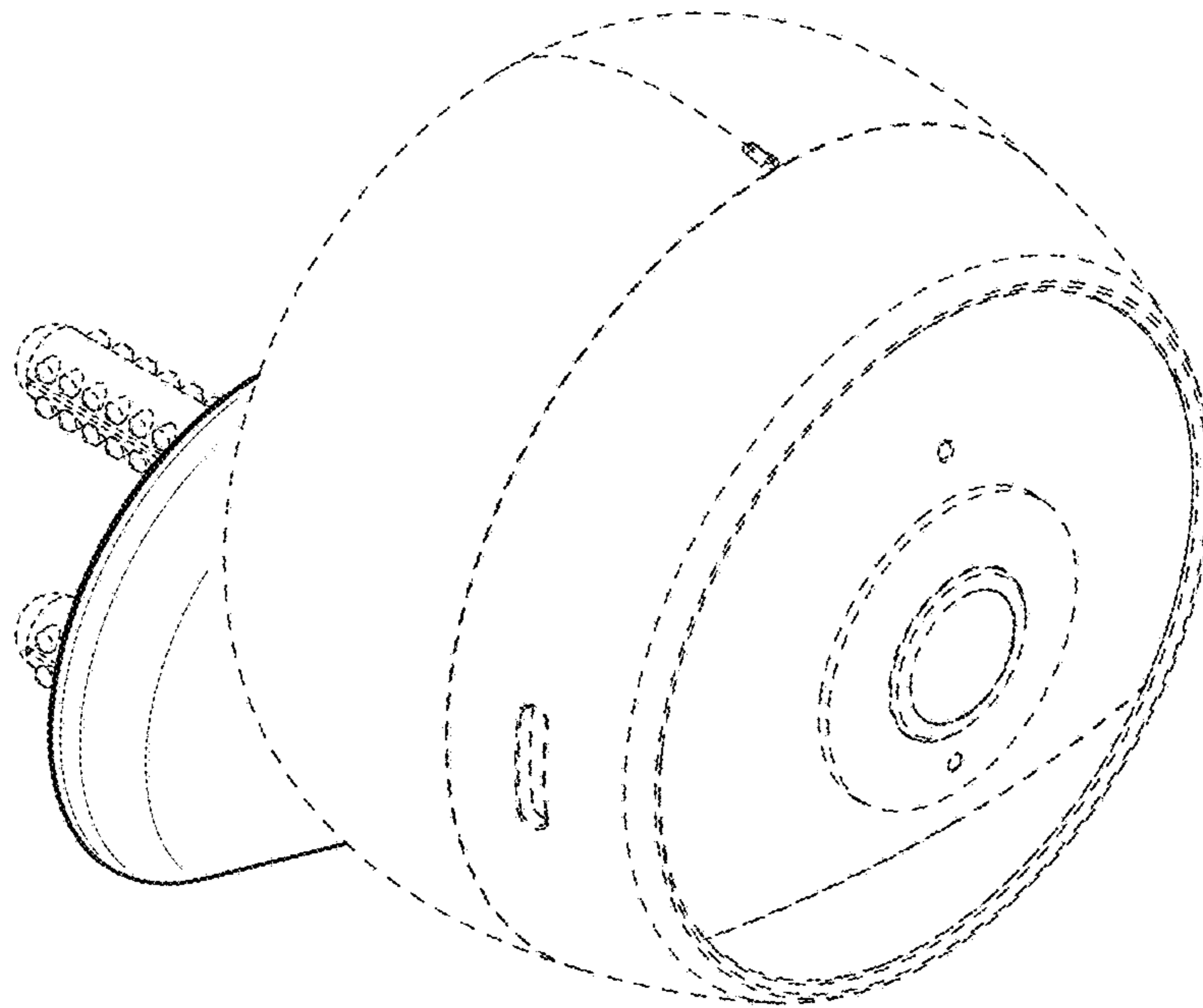


FIG. 2

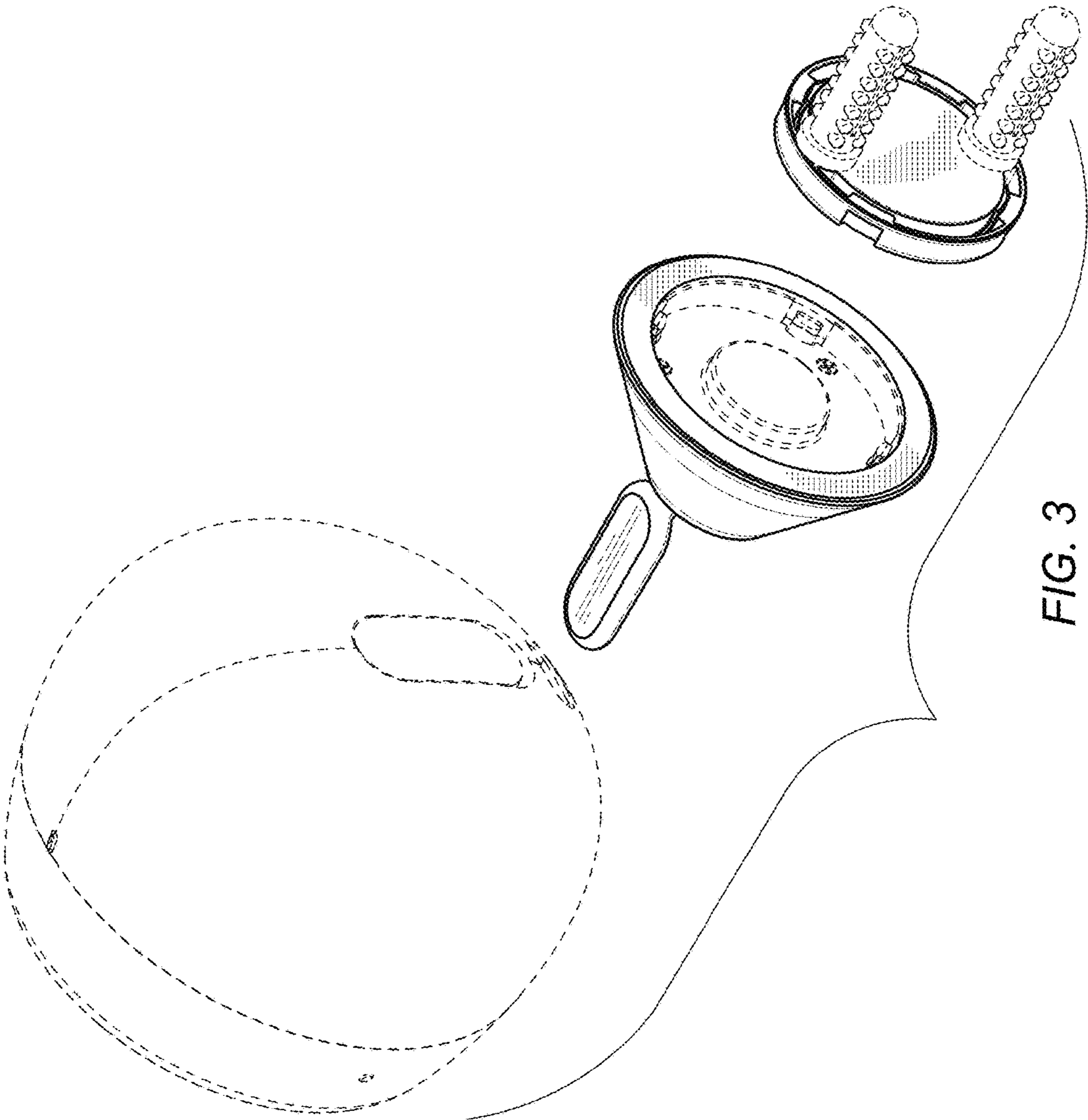


FIG. 3



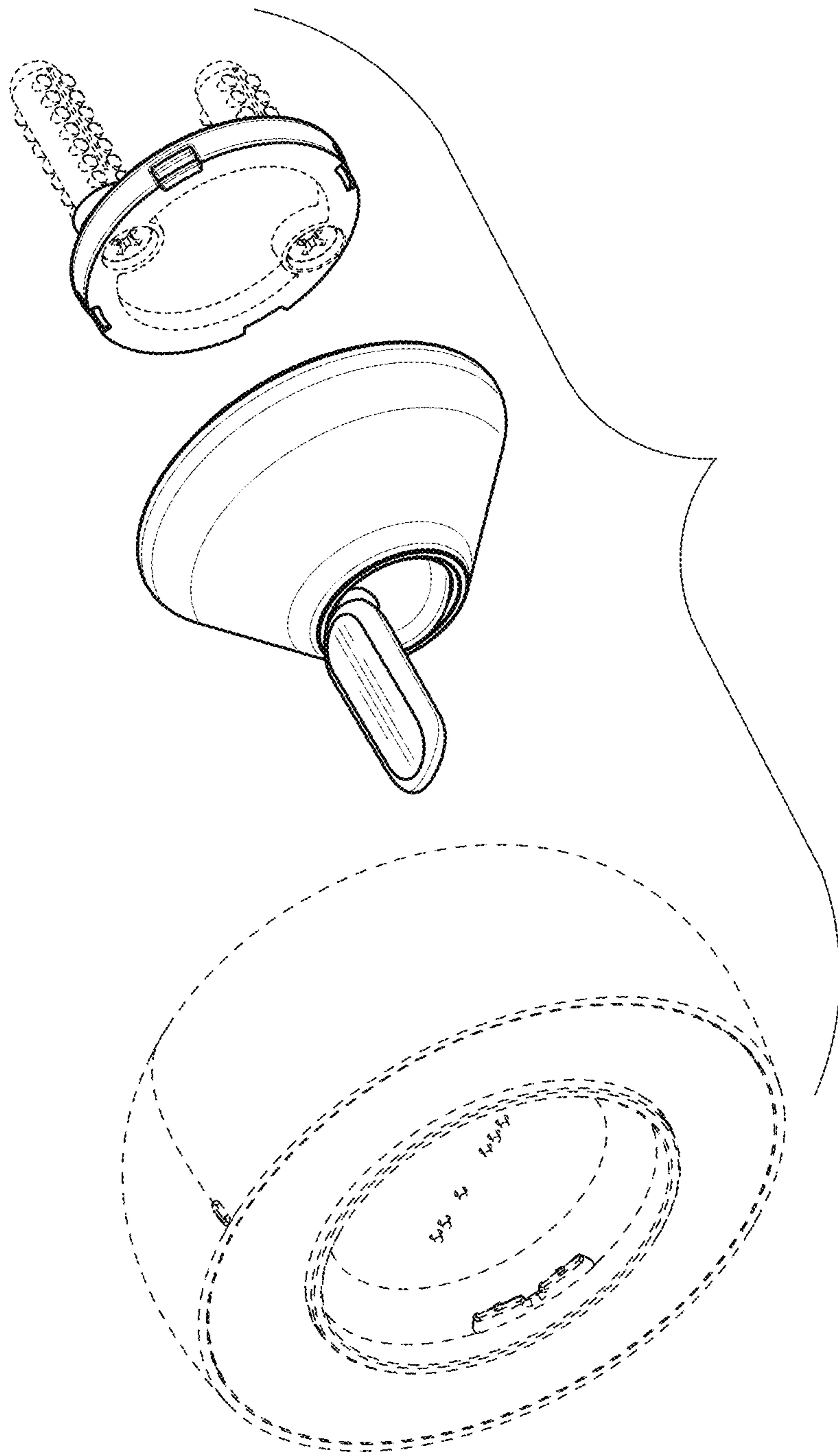


FIG. 4

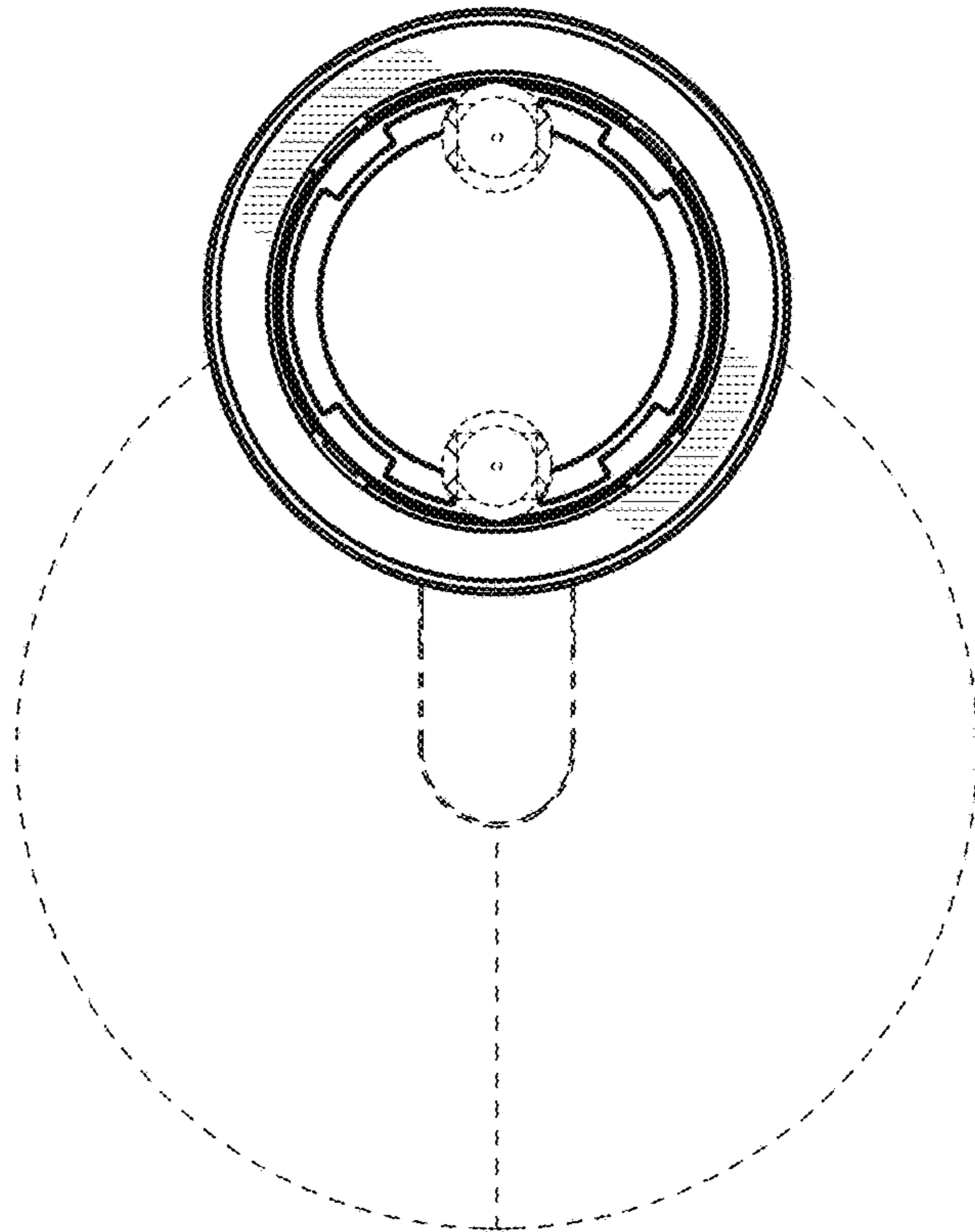


FIG. 5

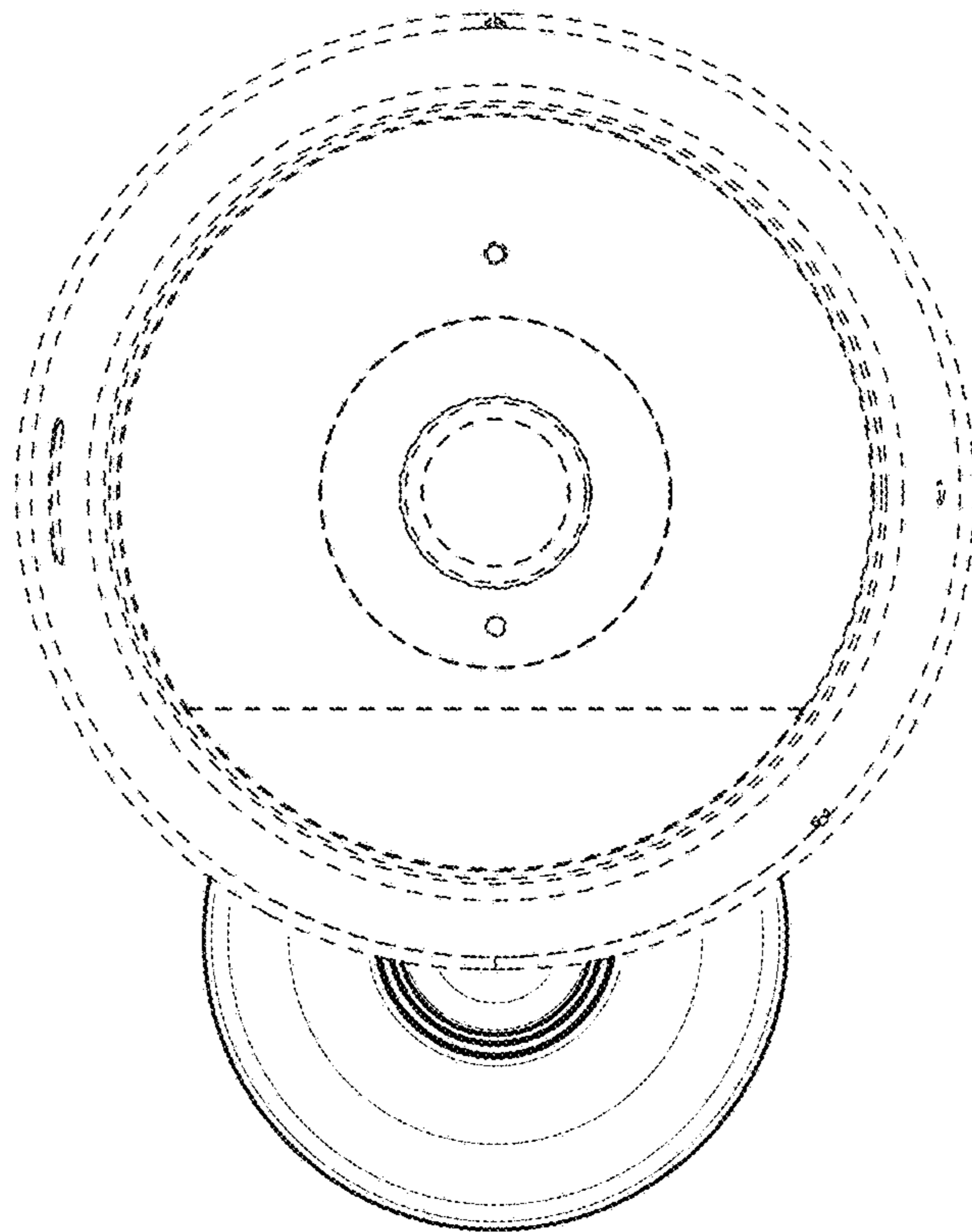


FIG. 6

FIG. 7

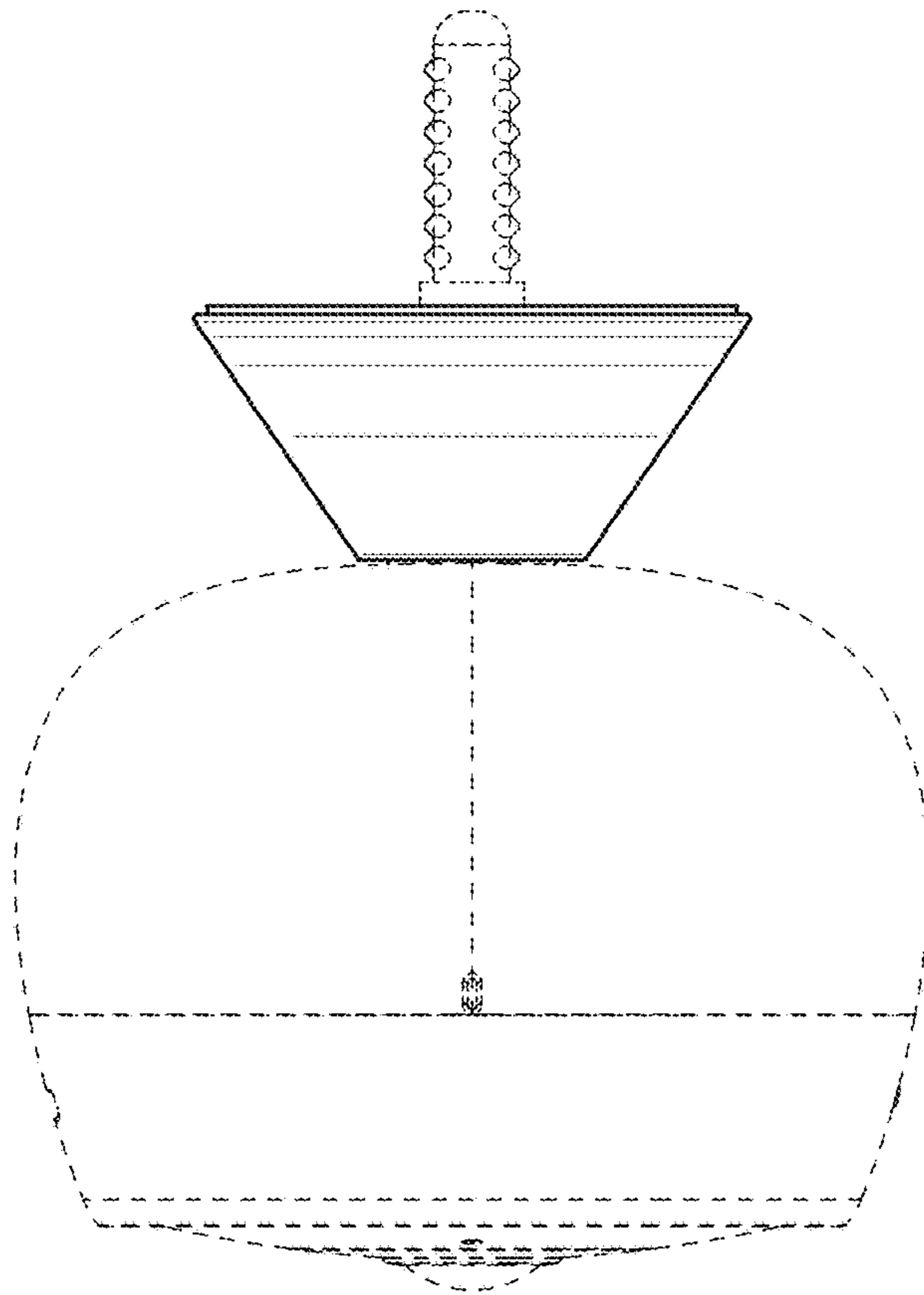
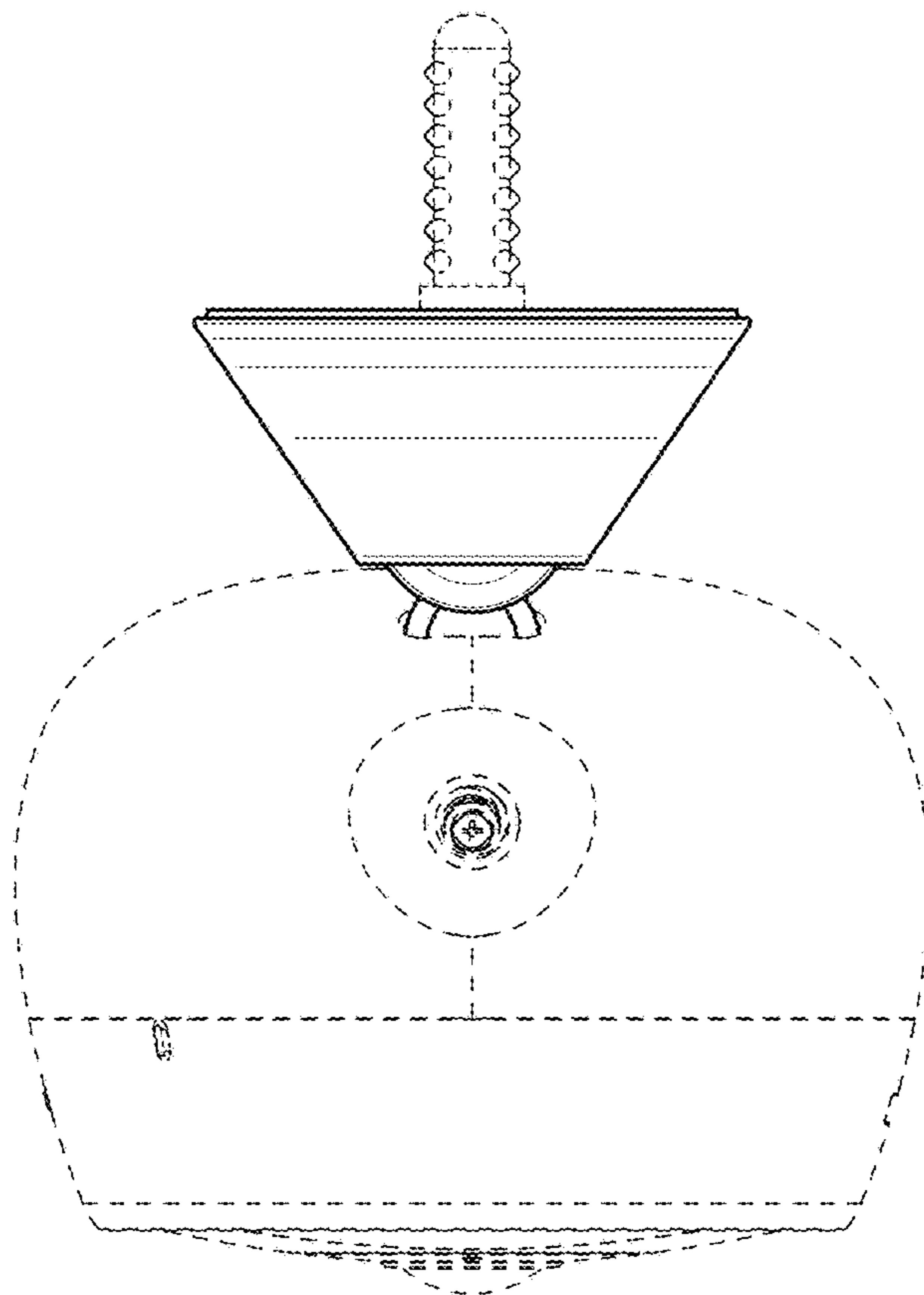
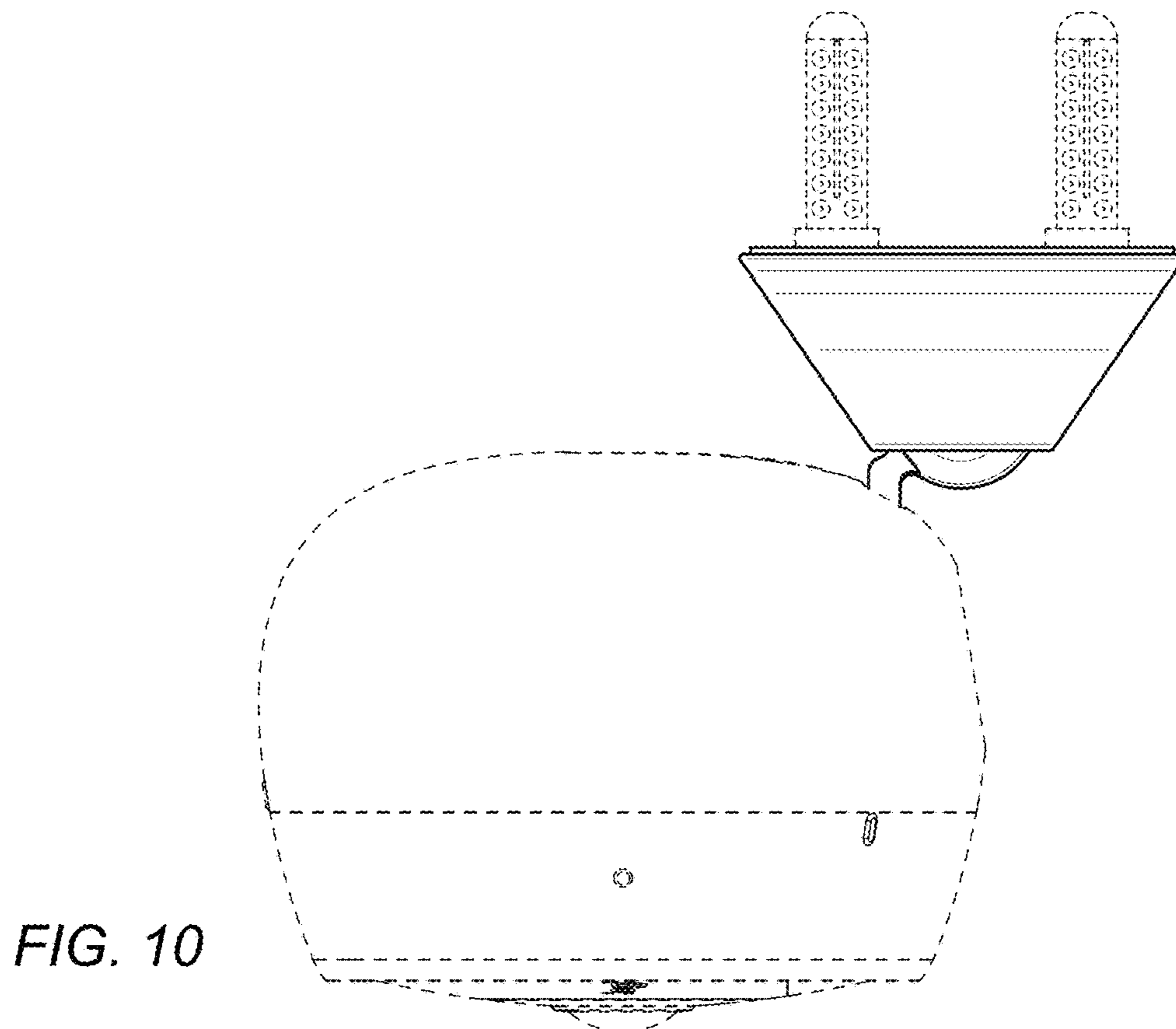
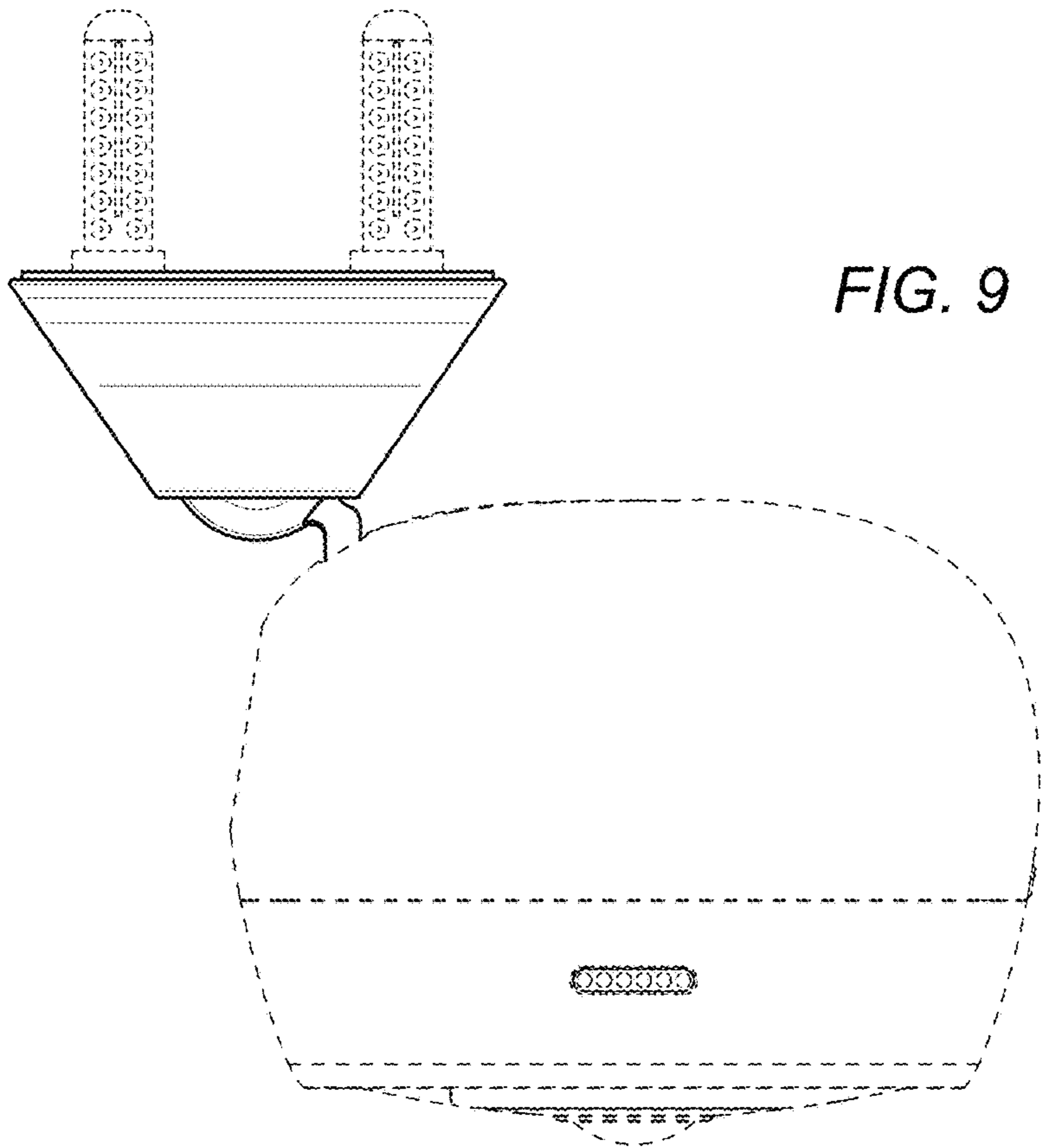


FIG. 8







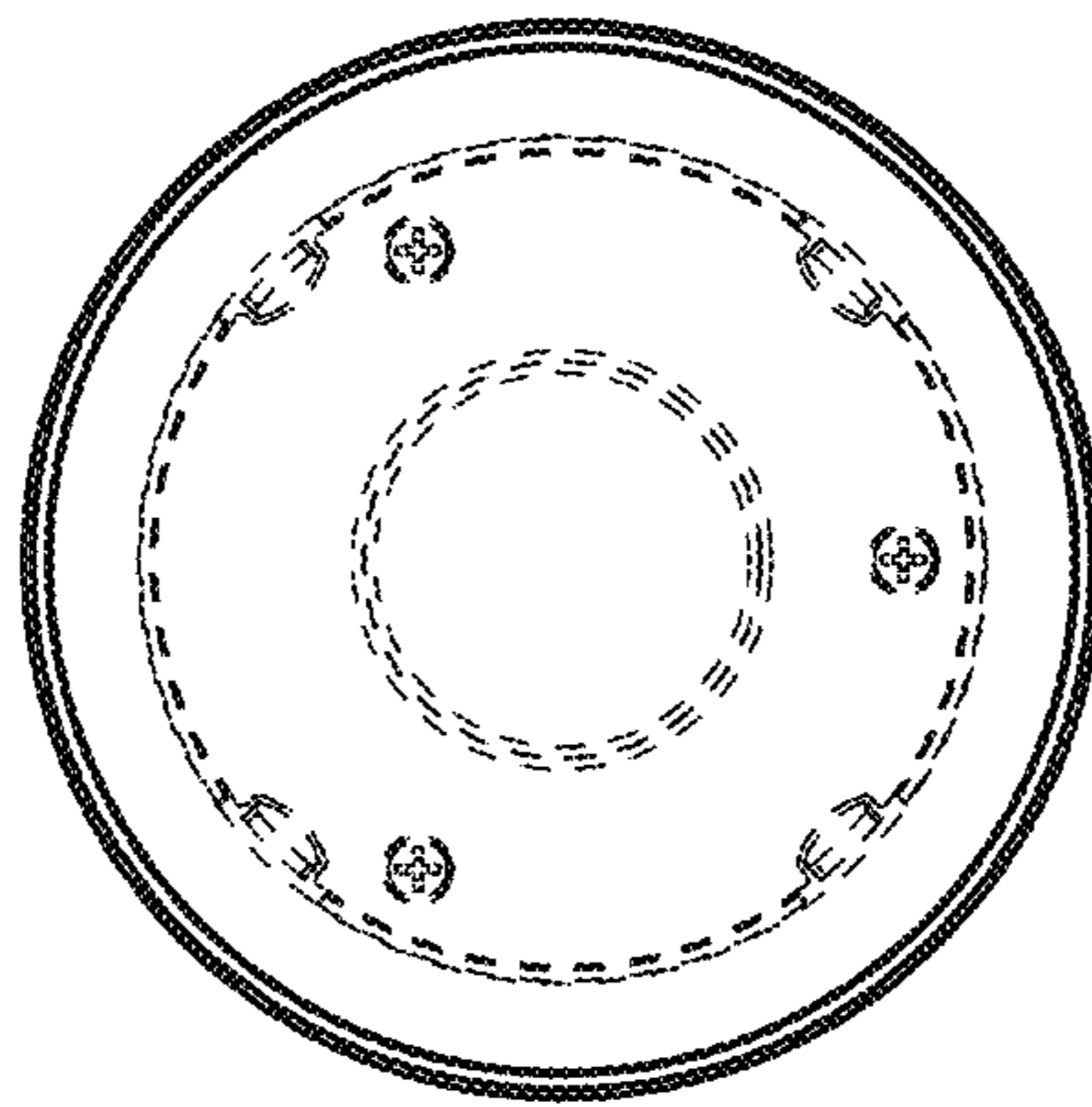


FIG. 11

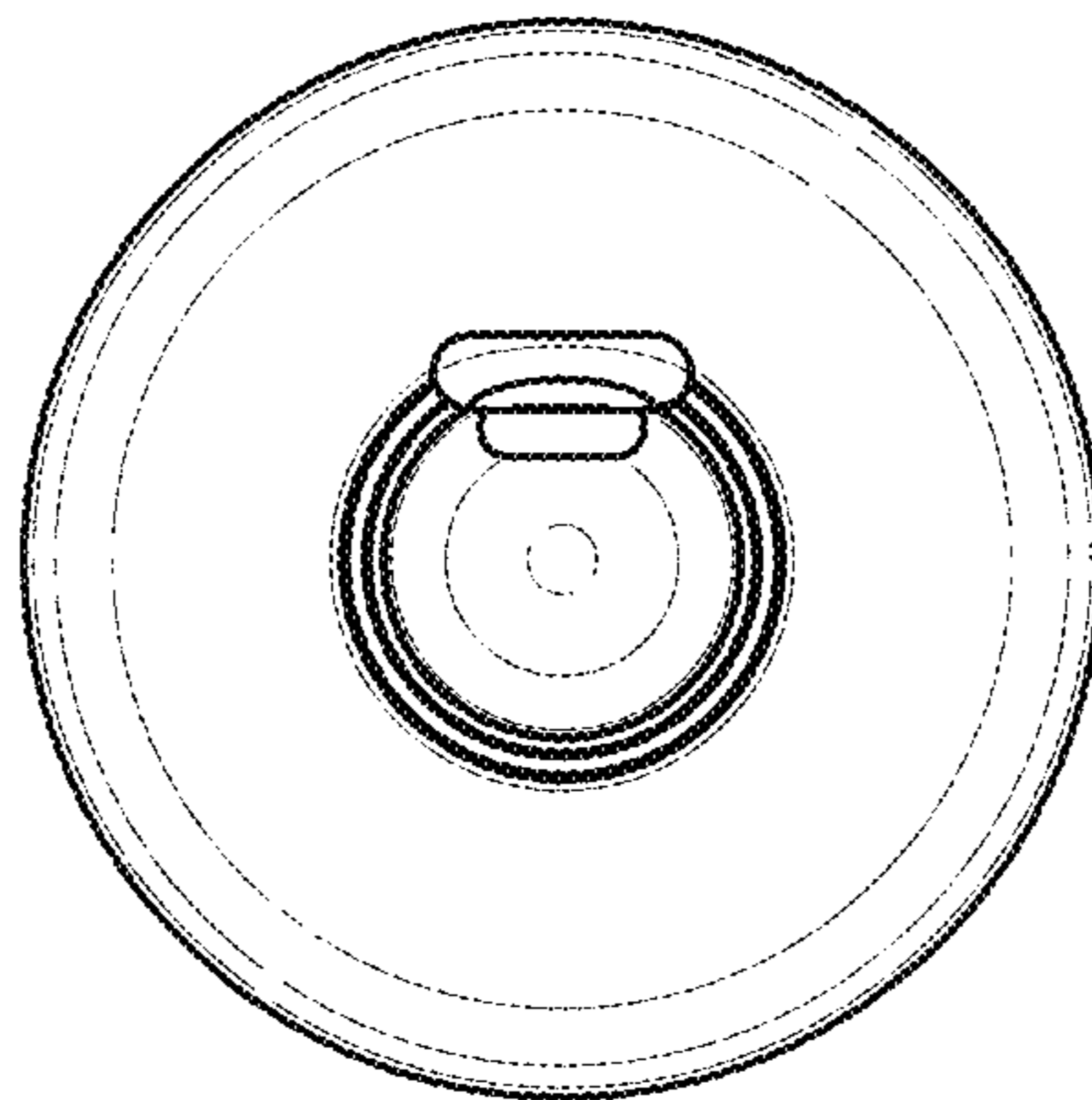


FIG. 12

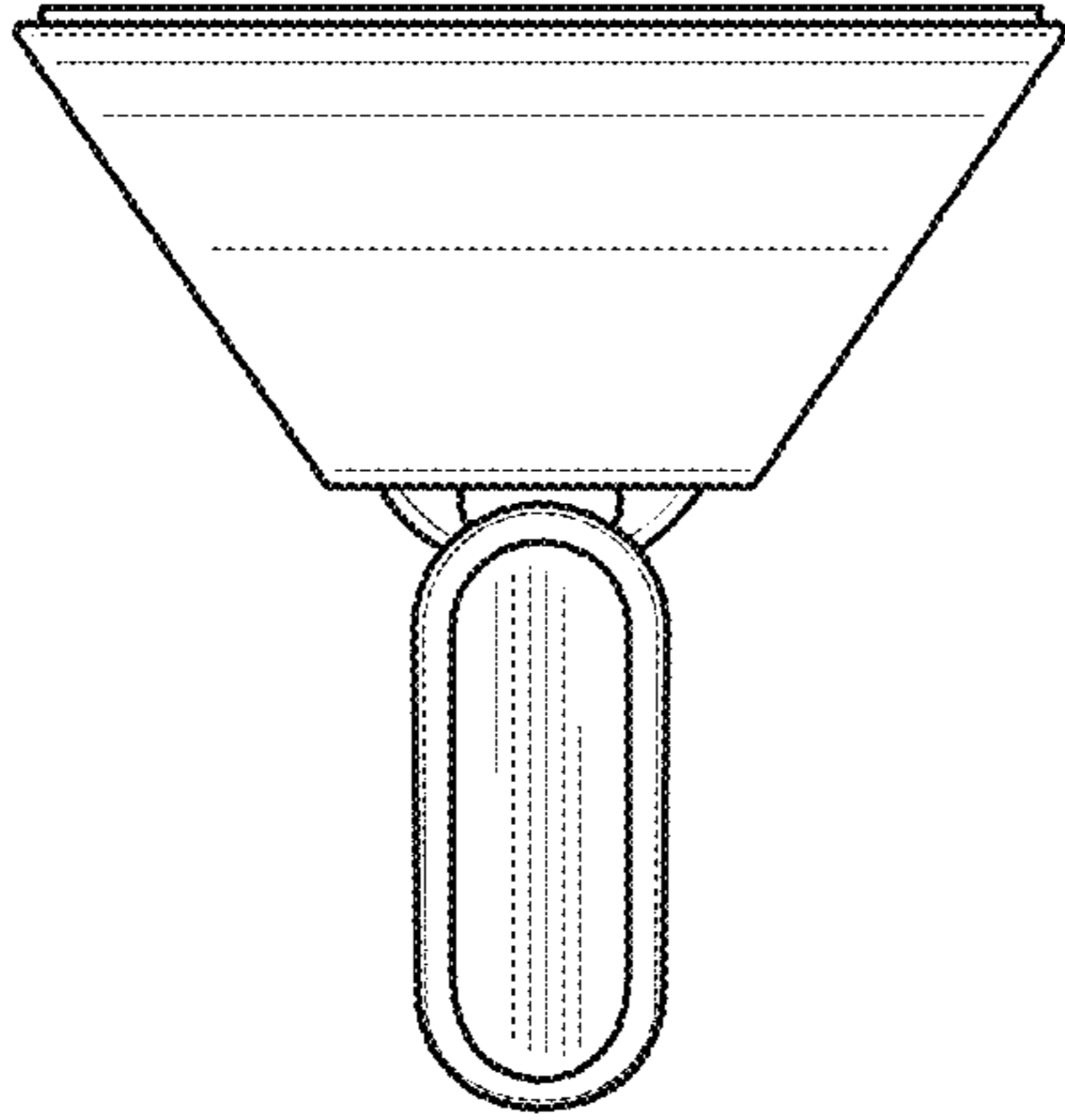


FIG. 13

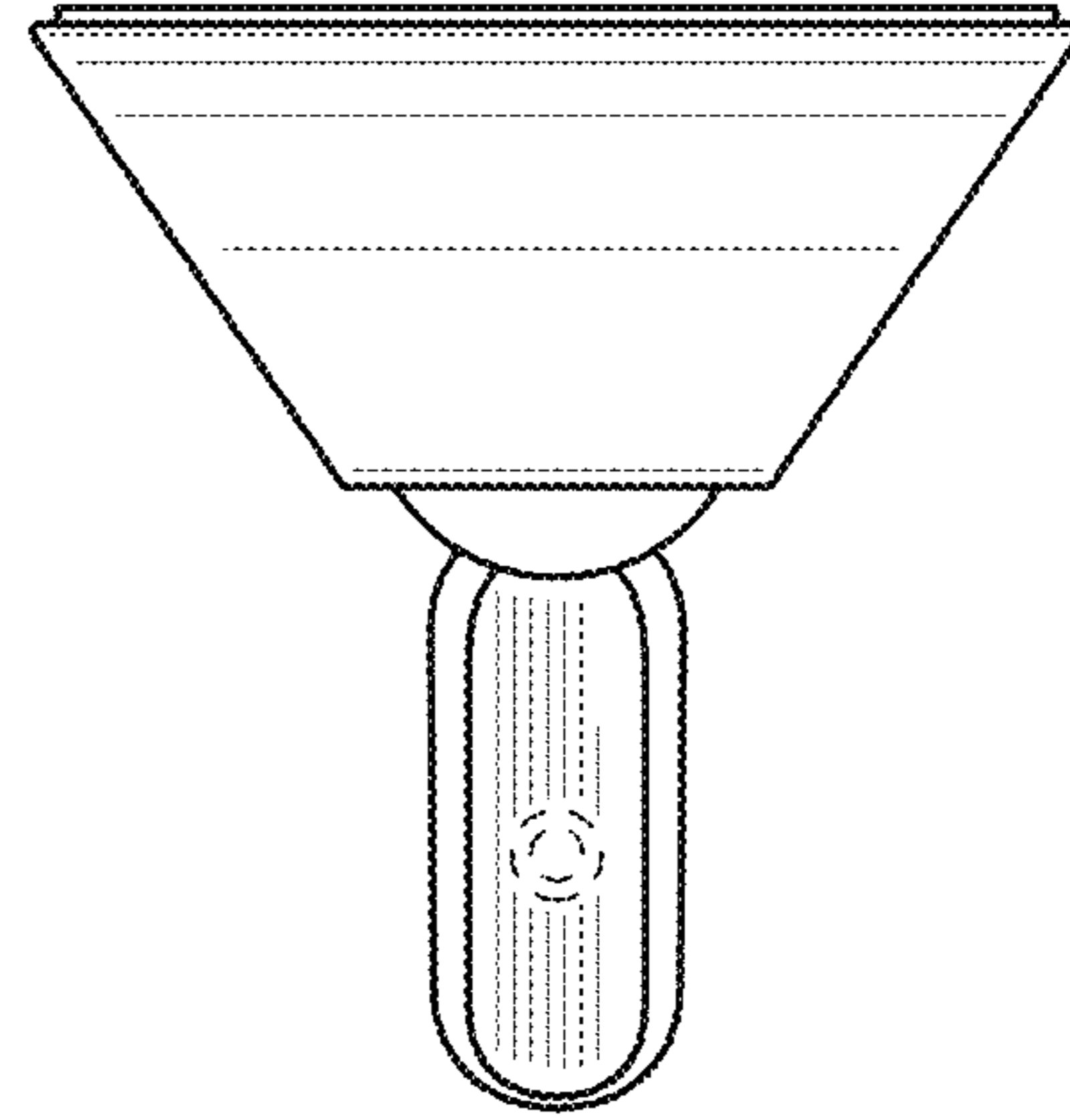


FIG. 14

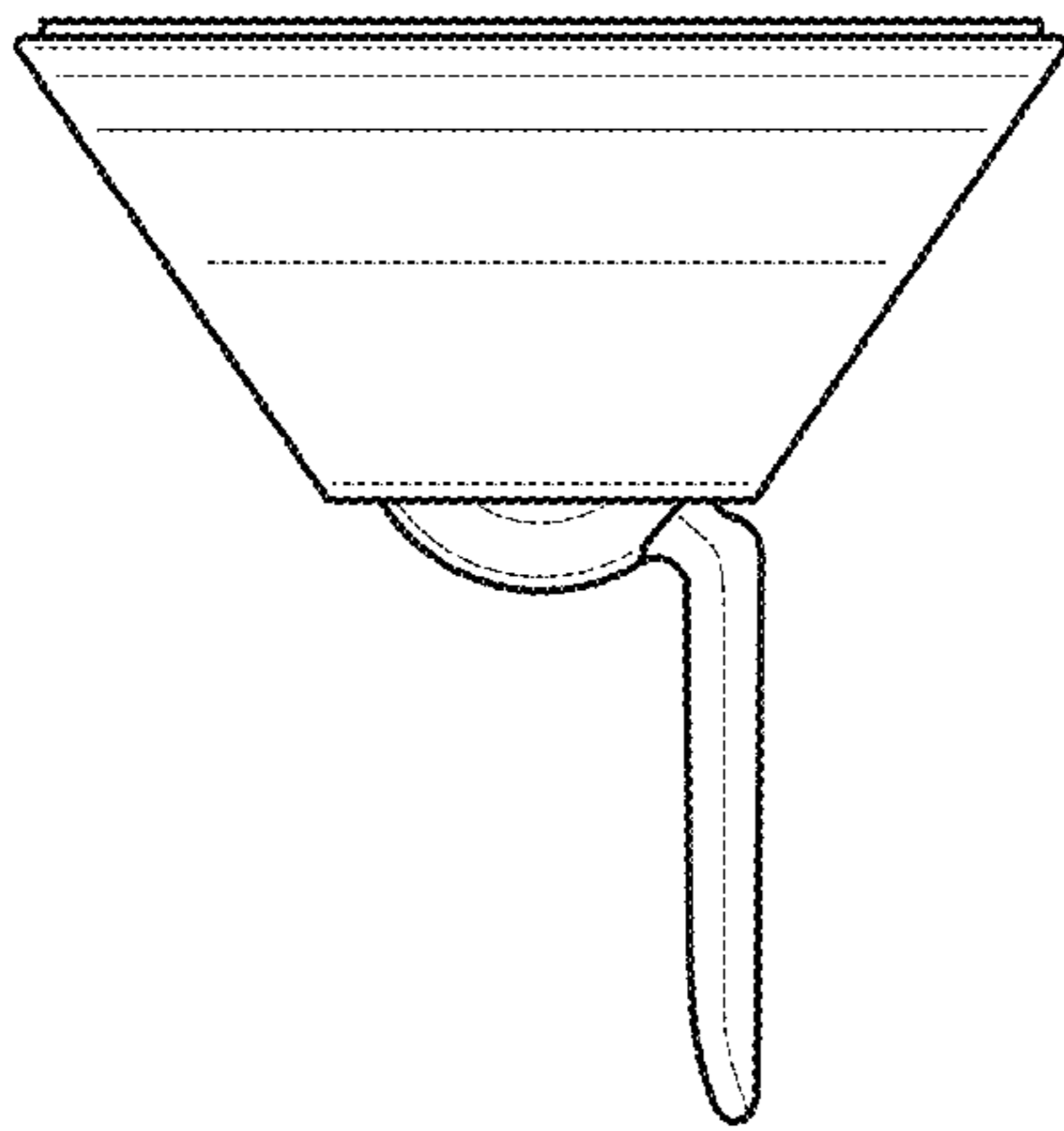


FIG. 15

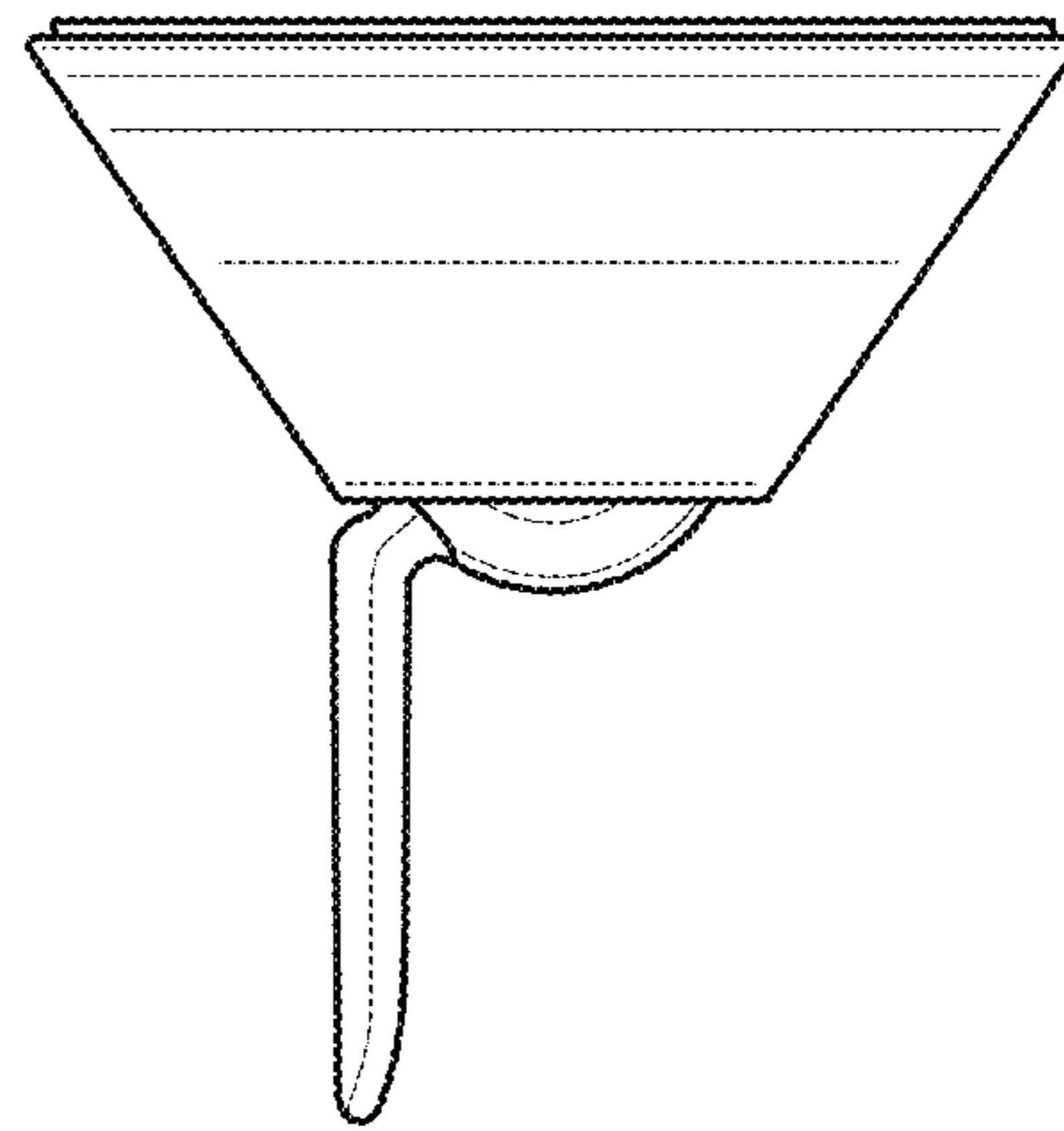


FIG. 16