



US00D841722S

(12) **United States Design Patent** (10) **Patent No.:** **US D841,722 S**
Bergman et al. (45) **Date of Patent:** **** Feb. 26, 2019**

(54) **CAMERA MOUNT**

(71) Applicant: **GoPro, Inc.**, San Mateo, CA (US)

(72) Inventors: **Senka Agic Bergman**, Montara, CA (US); **Arthur Charles Kwun**, Newark, CA (US); **Huy Phuong Nguyen**, San Mateo, CA (US); **Eric Mccallister Bennett**, Foster City, CA (US); **Nicholas D. Woodman**, Woodside, CA (US); **Joshua T. Druker**, Redwood City, CA (US); **Travis Pynn**, Moss Beach, CA (US)

(73) Assignee: **GoPro, Inc.**, San Mateo, CA (US)

(**) Term: **15 Years**

(21) Appl. No.: **29/607,455**

(22) Filed: **Jun. 13, 2017**

(51) **LOC (11) Cl.** **16-05**

(52) **U.S. Cl.**
USPC **D16/242**

(58) **Field of Classification Search**
USPC D16/219, 237-250; D14/224, 229, 238, D14/251, 447, 451, 457; D8/354, 355, D8/363, 373, 382, 383, 394, 395, 396
CPC G03B 17/56; G03B 17/561-17/568; G02B 7/00-7/002; H04N 5/2253-5/2254; F16M 11/06-11/10; F16M 11/14; A45F 5/10
See application file for complete search history.

(56) **References Cited**

U.S. PATENT DOCUMENTS

D713,531 S * 9/2014 Way D24/181
D719,266 S * 12/2014 Goldstein D24/180
9,426,341 B1 * 8/2016 Baldrige F16M 11/041
D776,745 S 1/2017 Bennett et al.
D776,746 S 1/2017 Bennett et al.
D780,249 S * 2/2017 Ramsthaler D16/242

9,715,164 B2 * 7/2017 Russell G03B 17/561
2015/0076184 A1 * 3/2015 Achenbach G03B 17/561
224/181
2015/0253651 A1 * 9/2015 Russell G03B 17/561
224/181
2015/0309396 A1 * 10/2015 Rohrer G03B 17/561
224/181
2015/0316205 A1 11/2015 Bennett et al.

OTHER PUBLICATIONS

GoPro Bite Mount & Floaty . [online] Published on Oct. 4, 2017. Retrieved Apr. 24, 2018 from URL: <https://shop.gopro.com/mounts/bite-mount-plus-floaty/ASLBM-001.html>.*

* cited by examiner

Primary Examiner — Vy N Koenig

(74) *Attorney, Agent, or Firm* — Young Basile Hanlon & MacFarlane, P.C.

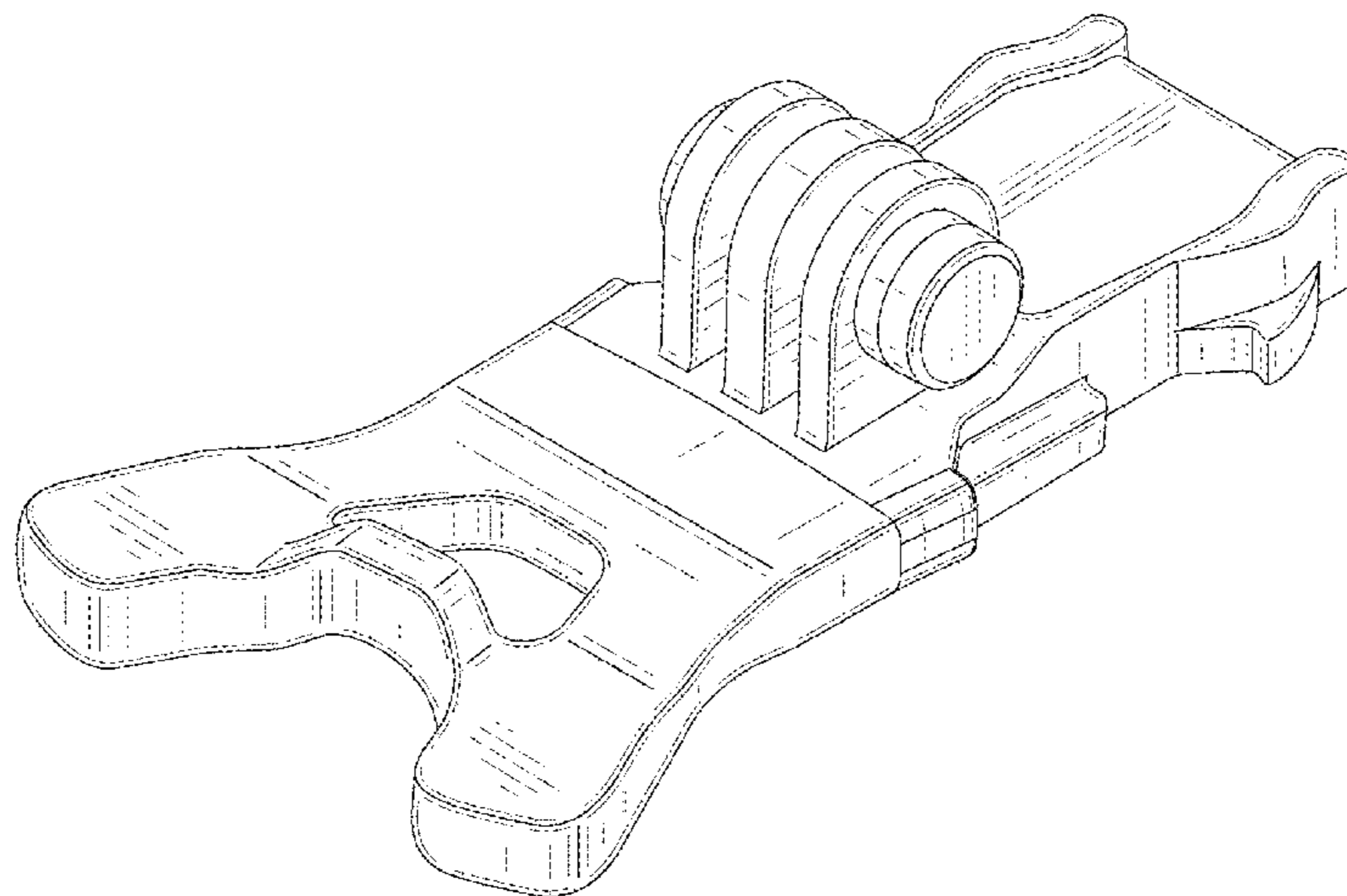
(57) **CLAIM**

The ornamental design for a camera mount, as shown and described.

DESCRIPTION

FIG. 1 is a top, rear, left perspective view of a camera mount. FIG. 2 is a top plan view of the camera mount shown in FIG. 1. FIG. 3 is a left elevation view of the camera mount shown in FIG. 1. FIG. 4 is a right elevation view of the camera mount shown in FIG. 1. FIG. 5 is a rear elevation view of the camera mount shown in FIG. 1; and, FIG. 6 is a front elevation view of the camera mount shown in FIG. 1. Broken lines in the drawings represent unclaimed subject matter and form no part of the claimed design.

1 Claim, 6 Drawing Sheets



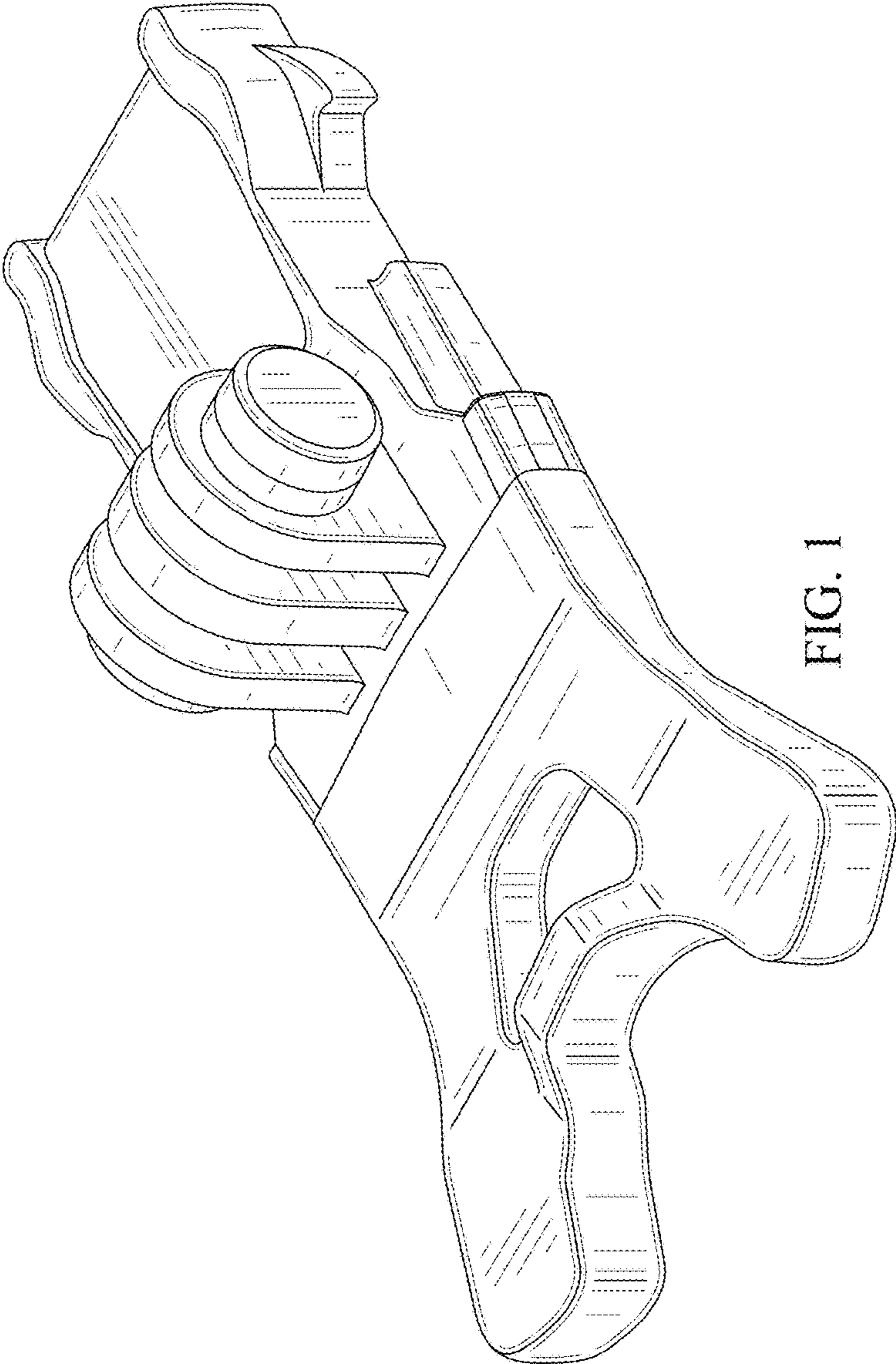
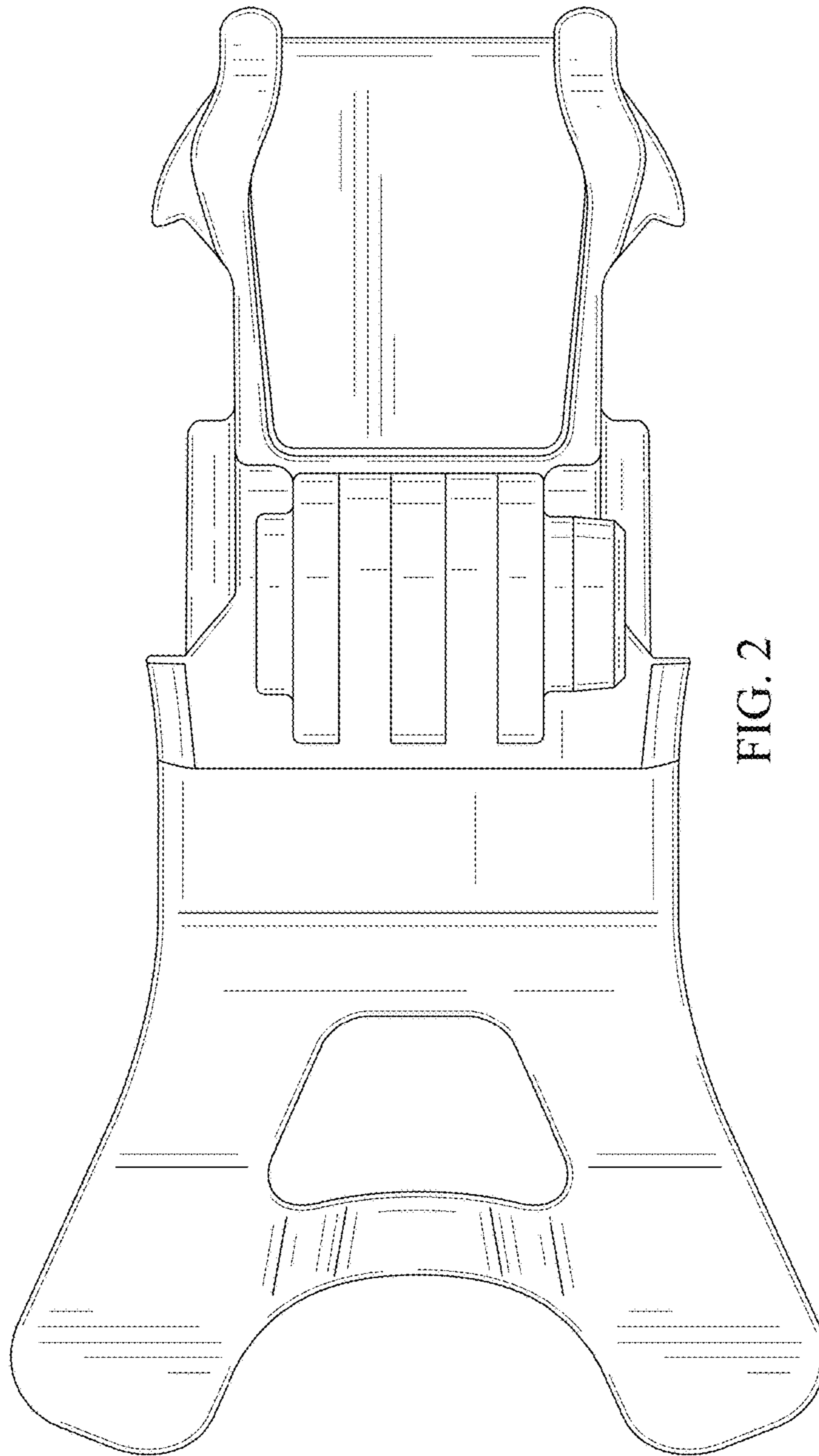


FIG. 1



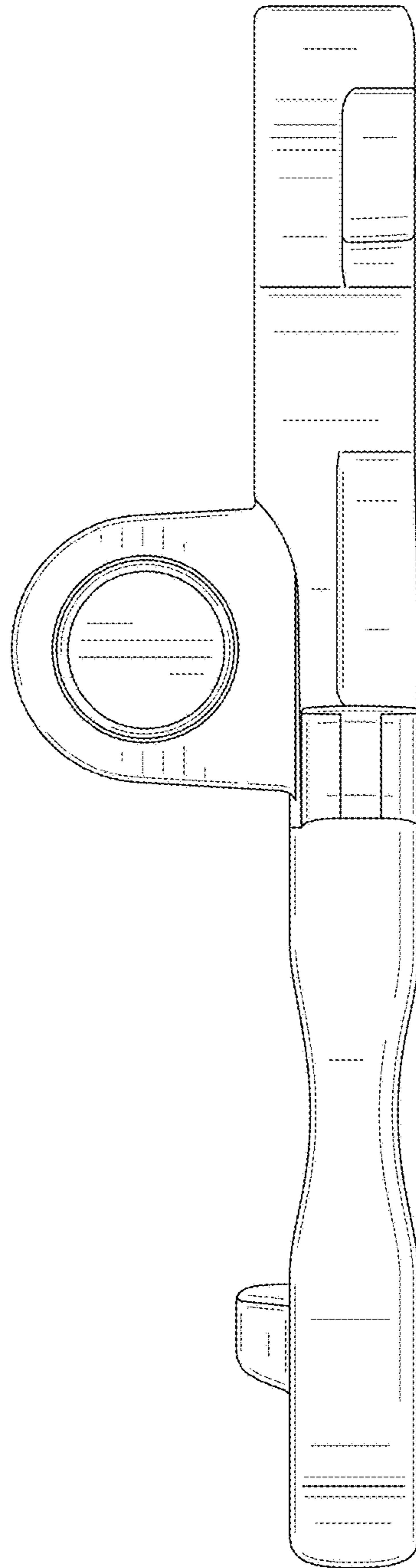


FIG. 3

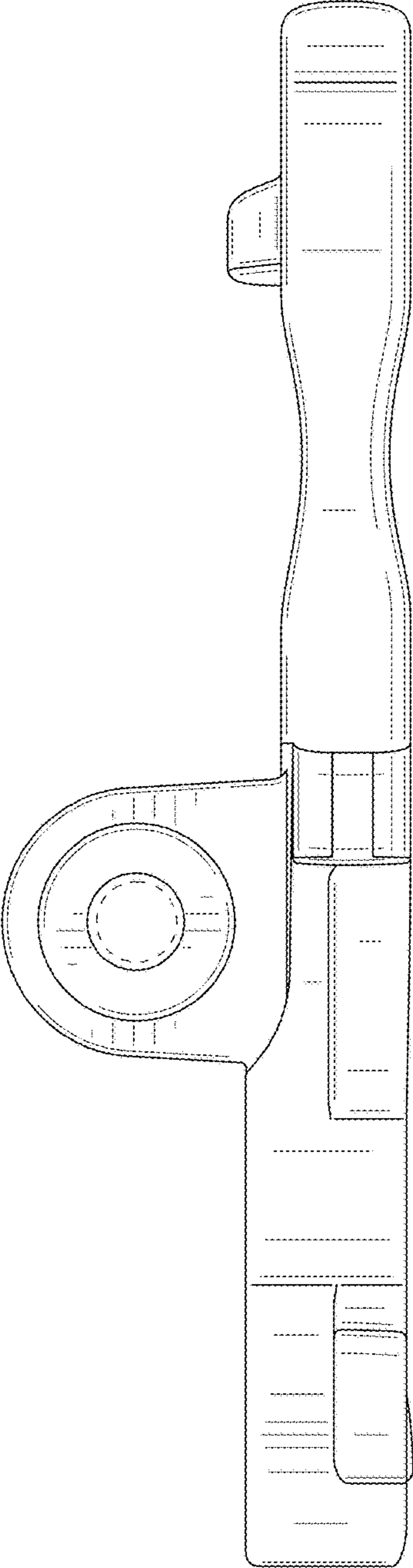


FIG. 4

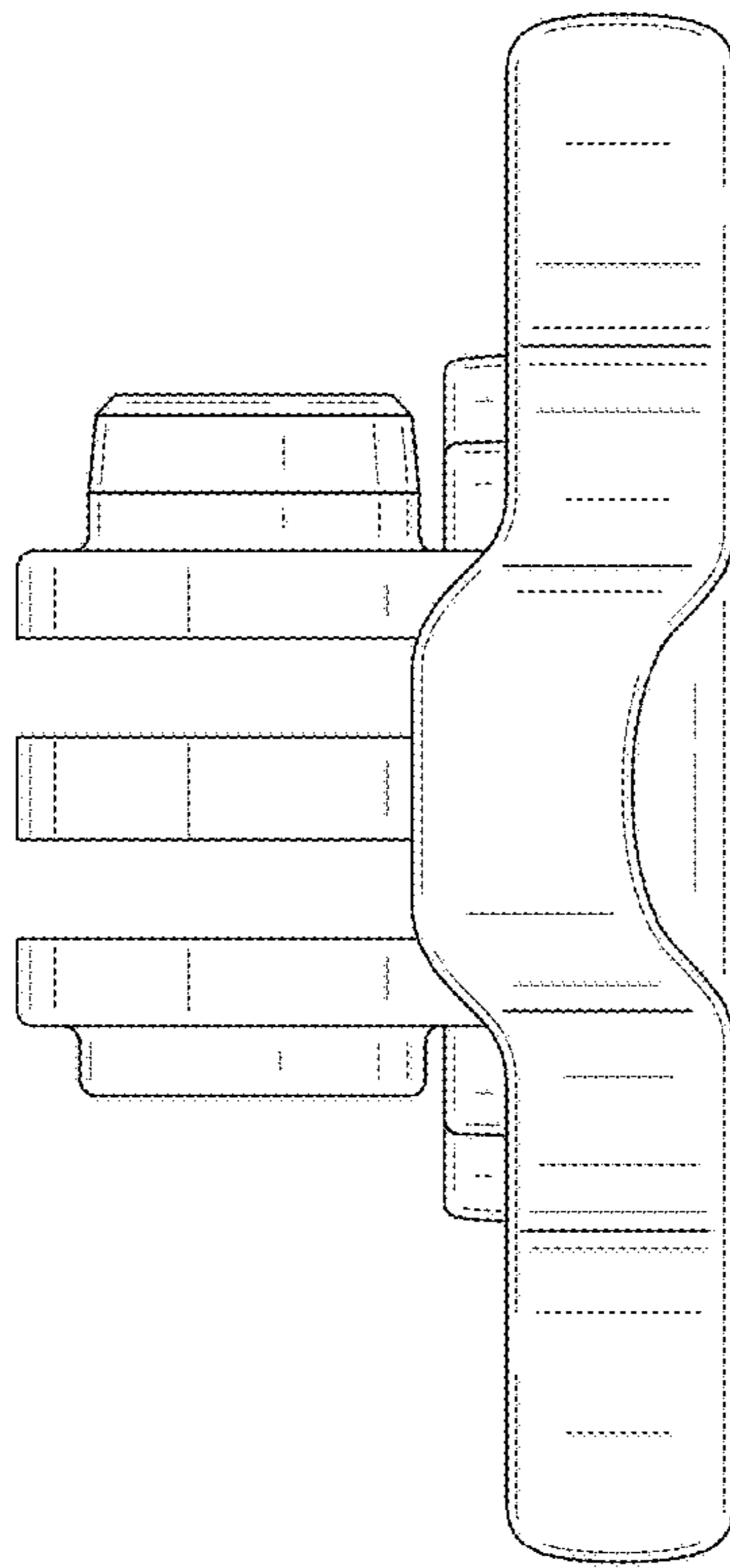


FIG. 5

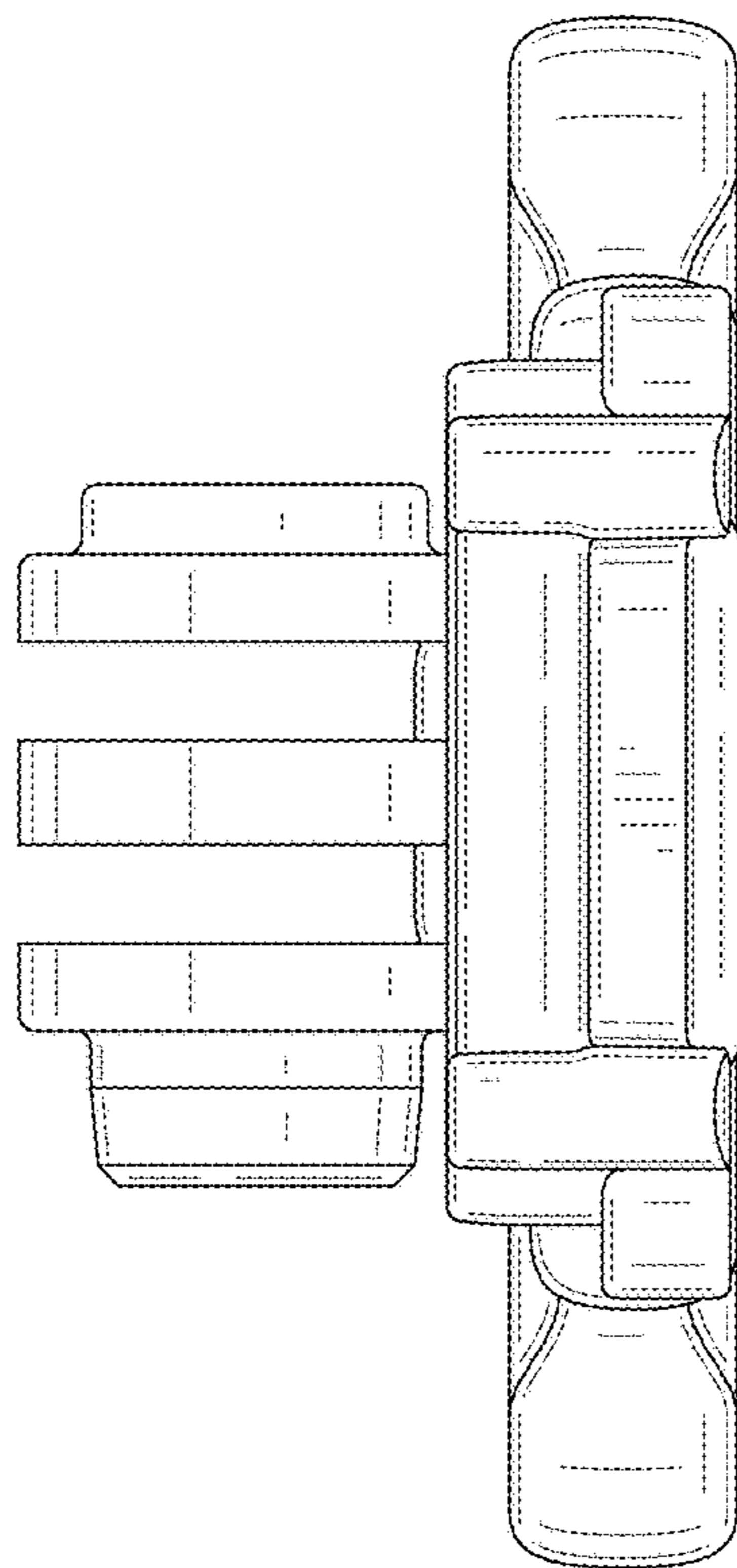


FIG. 6