



US00D841721S

(12) **United States Design Patent** (10) **Patent No.:** **US D841,721 S**
Muhlenkamp, IV et al. (45) **Date of Patent:** **** Feb. 26, 2019**

(54) **CAMERA MOUNT**

8,827,219 B2 9/2014 Kessler
9,243,737 B2 1/2016 Hida
D749,164 S * 2/2016 Raccah D16/242
(Continued)

(71) Applicant: **GoPro, Inc.**, San Mateo, CA (US)

(72) Inventors: **John George Muhlenkamp, IV**,
Brisbane, CA (US); **Christopher Aaron**
Clearman, Half Moon Bay, CA (US)

(73) Assignee: **GoPro, Inc.**, San Mateo, CA (US)

(**) Term: **15 Years**

(21) Appl. No.: **29/606,950**

(22) Filed: **Jun. 8, 2017**

Related U.S. Application Data

(63) Continuation-in-part of application No. 15/180,535,
filed on Jun. 13, 2016, now Pat. No. 9,772,542, which
is a continuation of application No. 14/883,431, filed
on Oct. 14, 2015, now Pat. No. 9,395,031.

(51) **LOC (11) Cl.** **16-05**

(52) **U.S. Cl.**
USPC **D16/242**

(58) **Field of Classification Search**
USPC D16/203, 208, 213–219, 235–250;
D14/217, 229, 250–253; D8/353, 362,
D8/371, 394
CPC G03B 17/02–17/04; G03B 17/14; G03B
17/56; G03B 17/561–17/568; G03B
21/20; G02B 7/00–7/002; F16M 11/02;
F16M 11/04; F16M 11/20; F16M 11/40
See application file for complete search history.

(56) **References Cited**

U.S. PATENT DOCUMENTS

7,077,582 B2 7/2006 Johnson
7,185,862 B1 3/2007 Yang
8,348,214 B2 1/2013 Vogt

OTHER PUBLICATIONS

Fantaseal Action Camera Bike Mount Aluminum Alloy 2-Rail
Saddle Bike Seat Mount for GoPro Pro Seat Rail Mount GoPro Bike
Mount GoPro Bicycle Seat Rack Mount for GoPro Garmin Virb XE
SJCAMDBPOWER-BK. Online, published date unknown. Retrieved
on May 23, 2018 from URL: https://www.amazon.com/fantaseal-Action-Camera-Bi.*

(Continued)

Primary Examiner — Karen S Acker
Assistant Examiner — Omeed Agilee

(74) *Attorney, Agent, or Firm* — Young Basile Hanlon &
MacFarlane, P.C.

(57) **CLAIM**

The ornamental design for a camera mount, as shown and
described.

DESCRIPTION

FIG. 1 is a bottom, front, left perspective view of the camera
mount showing our new design.

FIG. 2 is a top, front, right perspective view of the camera
mount shown in FIG. 1.

FIG. 3 is a bottom plan view of the camera mount shown in
FIG. 1.

FIG. 4 is a top plan view of the camera mount shown in FIG.
1.

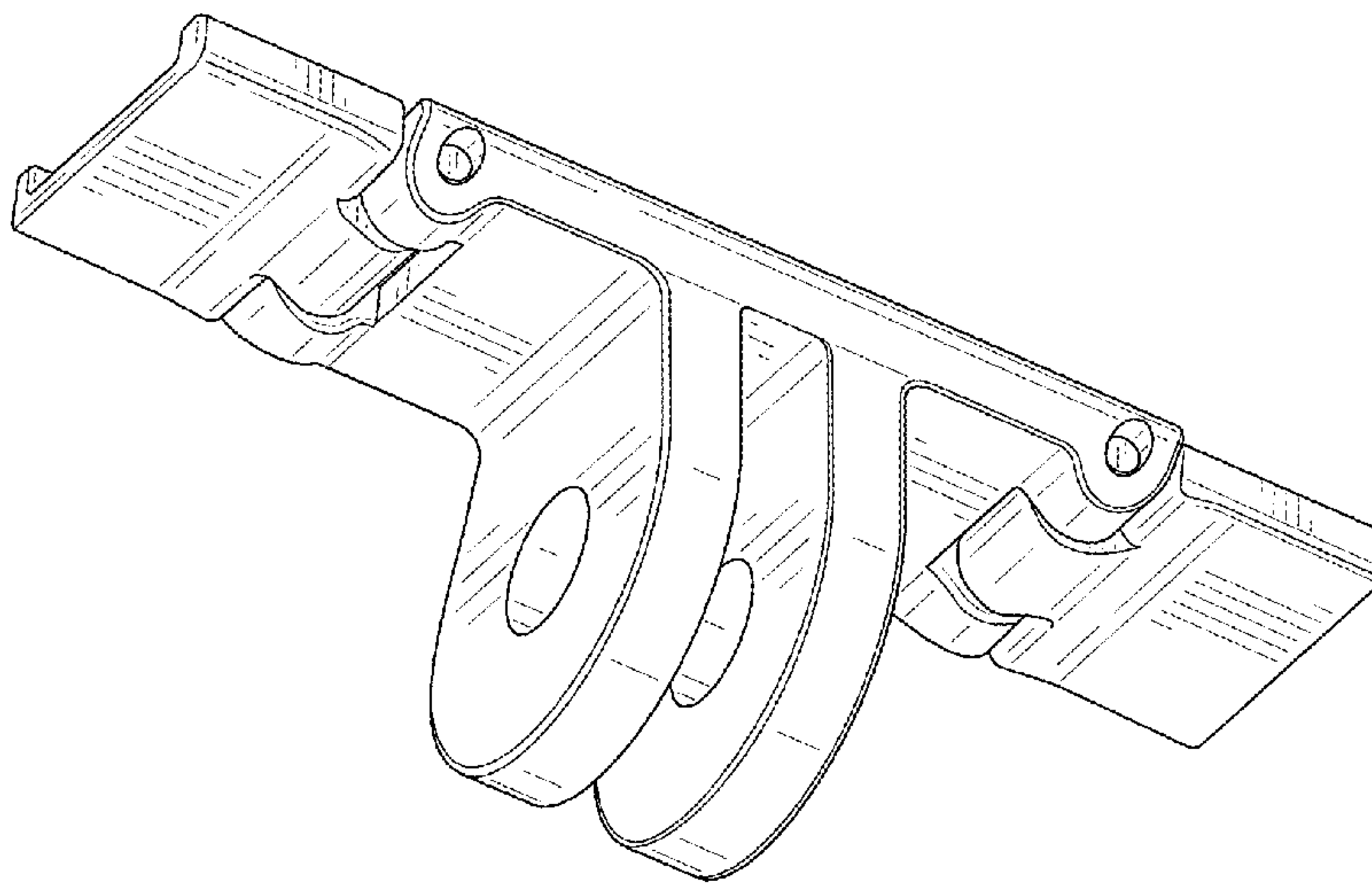
FIG. 5 is a front elevation view of the camera mount shown
in FIG. 1.

FIG. 6 is a rear elevation view of the camera mount shown
in FIG. 1.

FIG. 7 is a right elevation view of the camera mount shown
in FIG. 1; and,

FIG. 8 is a left elevation view of the camera mount shown
in FIG. 1.

1 Claim, 4 Drawing Sheets



(56)

References Cited

U.S. PATENT DOCUMENTS

9,297,640	B2	3/2016	Tassakos	
9,372,383	B2	6/2016	Johnson	
D764,566	S *	8/2016	Bennett	D16/242
9,426,341	B1 *	8/2016	Baldrige	F16M 11/041
D776,746	S *	1/2017	Bennett	D16/242
D777,240	S *	1/2017	Costa	D16/245
D800,205	S *	10/2017	Harrison	D16/242
D800,822	S *	10/2017	Costa	D16/242
9,851,622	B2 *	12/2017	Song	G03B 17/561
2005/0041966	A1	2/2005	Johnson	
2009/0110380	A1	4/2009	Fantone	
2010/0229450	A1	9/2010	Becker	
2012/0120236	A1	5/2012	Xiao	
2014/0321843	A1 *	10/2014	Hulse	G03B 17/561 396/420
2015/0234258	A1	8/2015	Hida	
2015/0346588	A1	12/2015	Hudson	
2016/0186919	A1 *	6/2016	Zhao	F16M 11/045 403/322.1
2017/0255082	A1 *	9/2017	Song	A45F 5/02

OTHER PUBLICATIONS

Pro Camera Bracket Integrated Mount. Online, published date unknown. Retrieved on May 23, 2018 from URL: <https://www.amaincycling.com/pro-camera-bracket-integrated-mount-black-17-pro-saddle-compatible-prac0129/p612468>.*

United States Office Action, U.S. Appl. No. 15/180,535, dated Jan. 17, 2017, 12 pages.

* cited by examiner

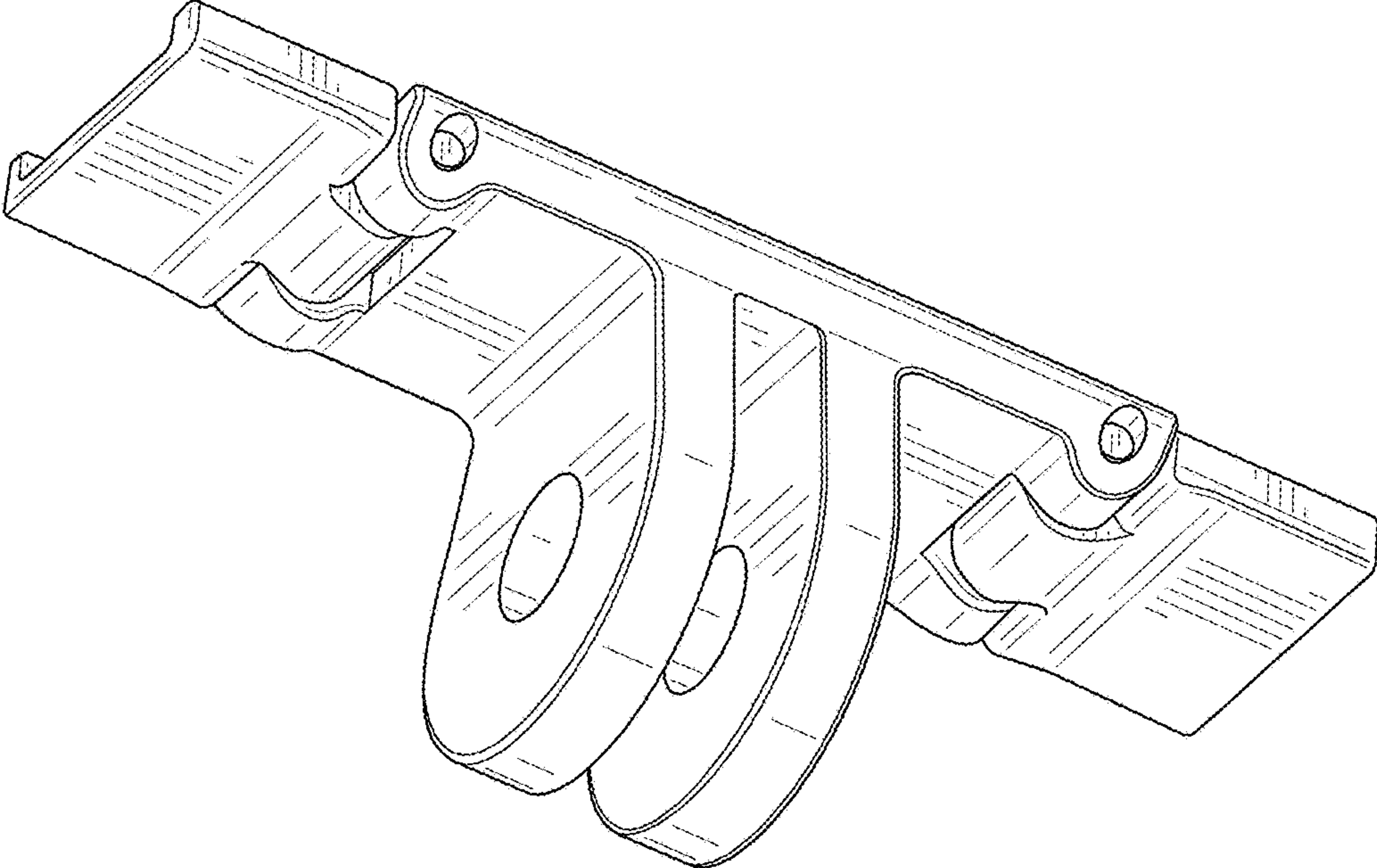


FIG. 1

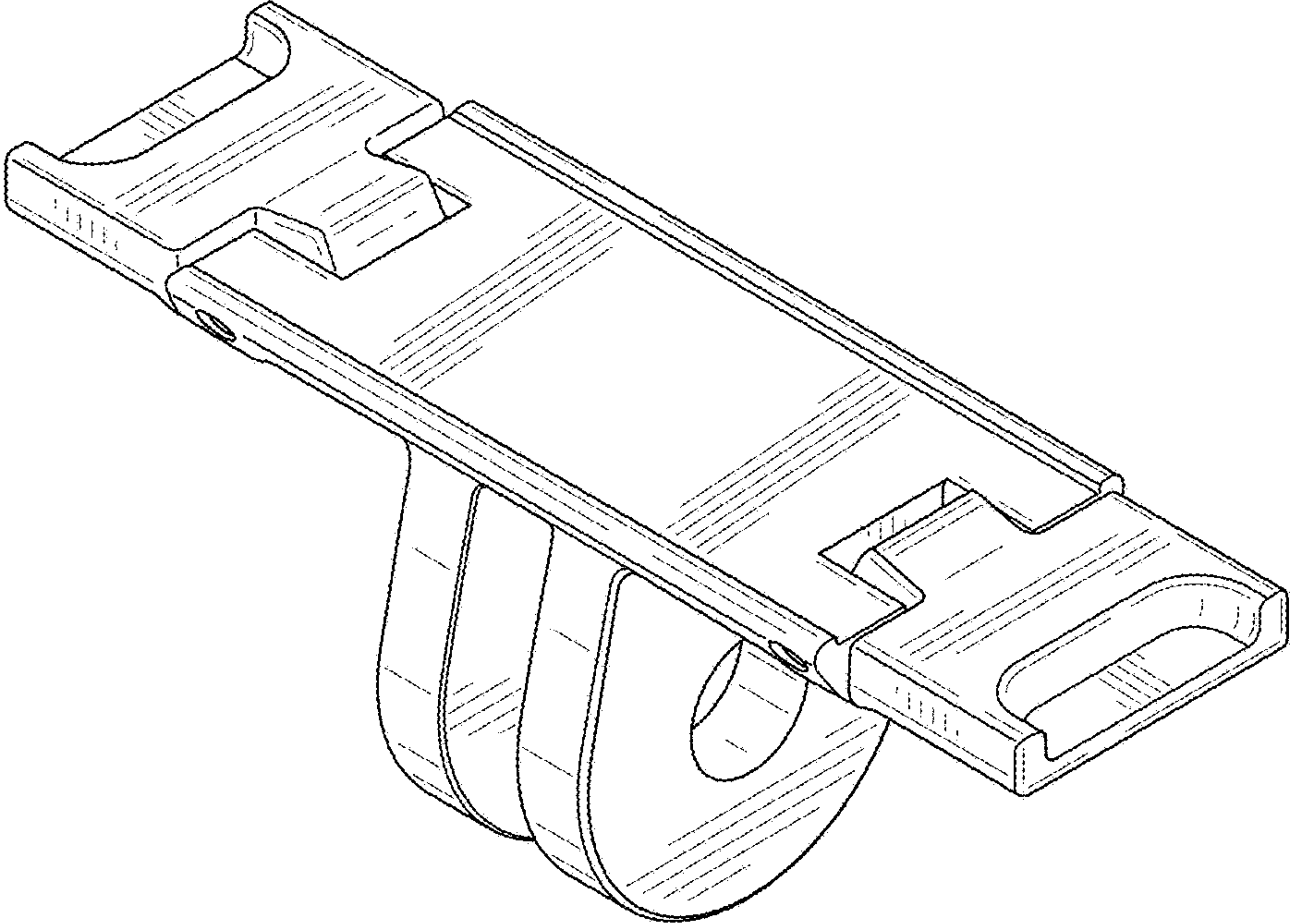


FIG. 2

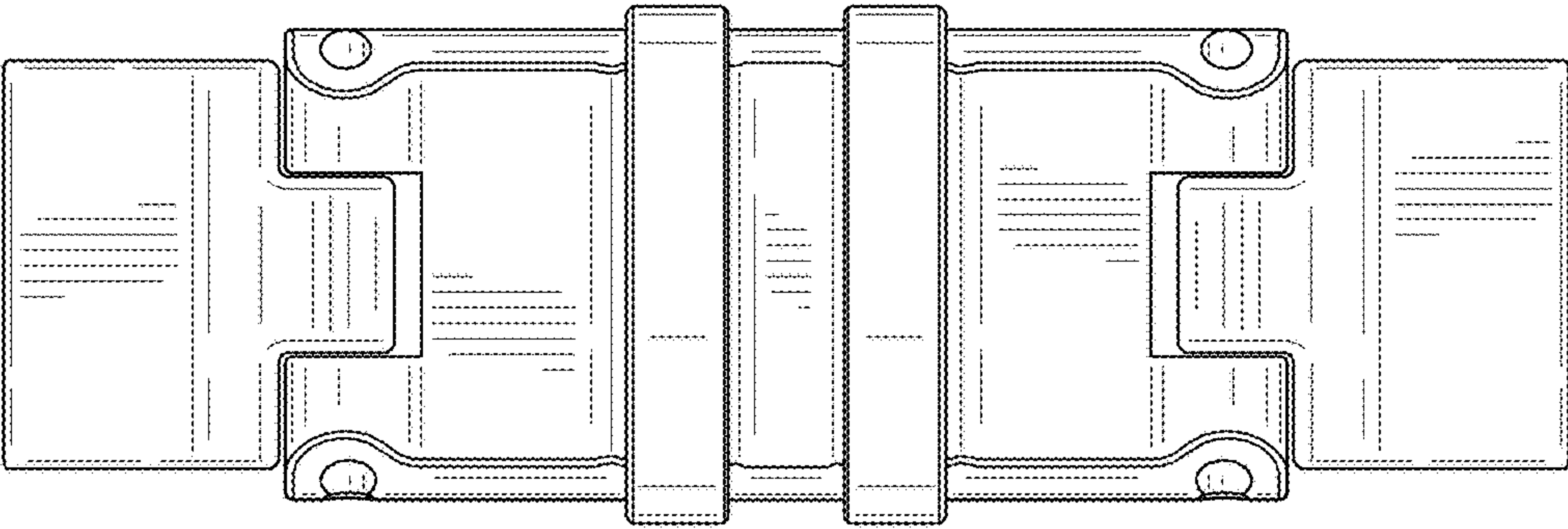


FIG. 3

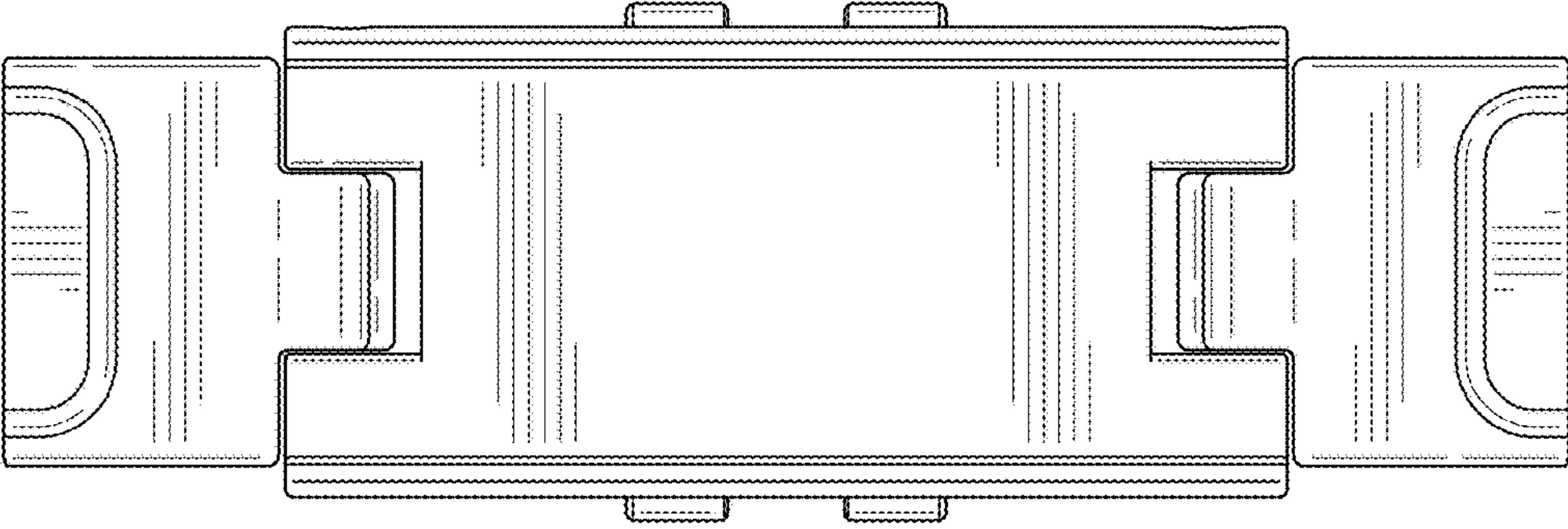


FIG. 4

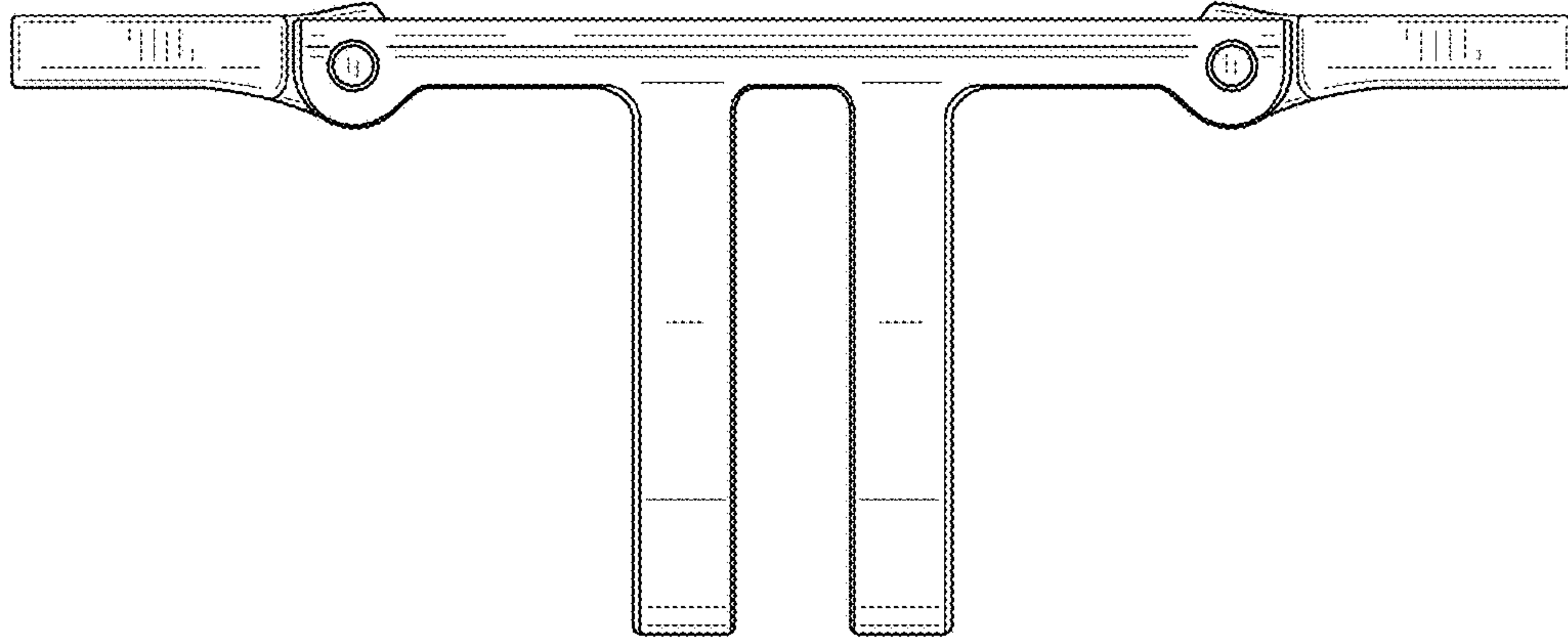


FIG. 5

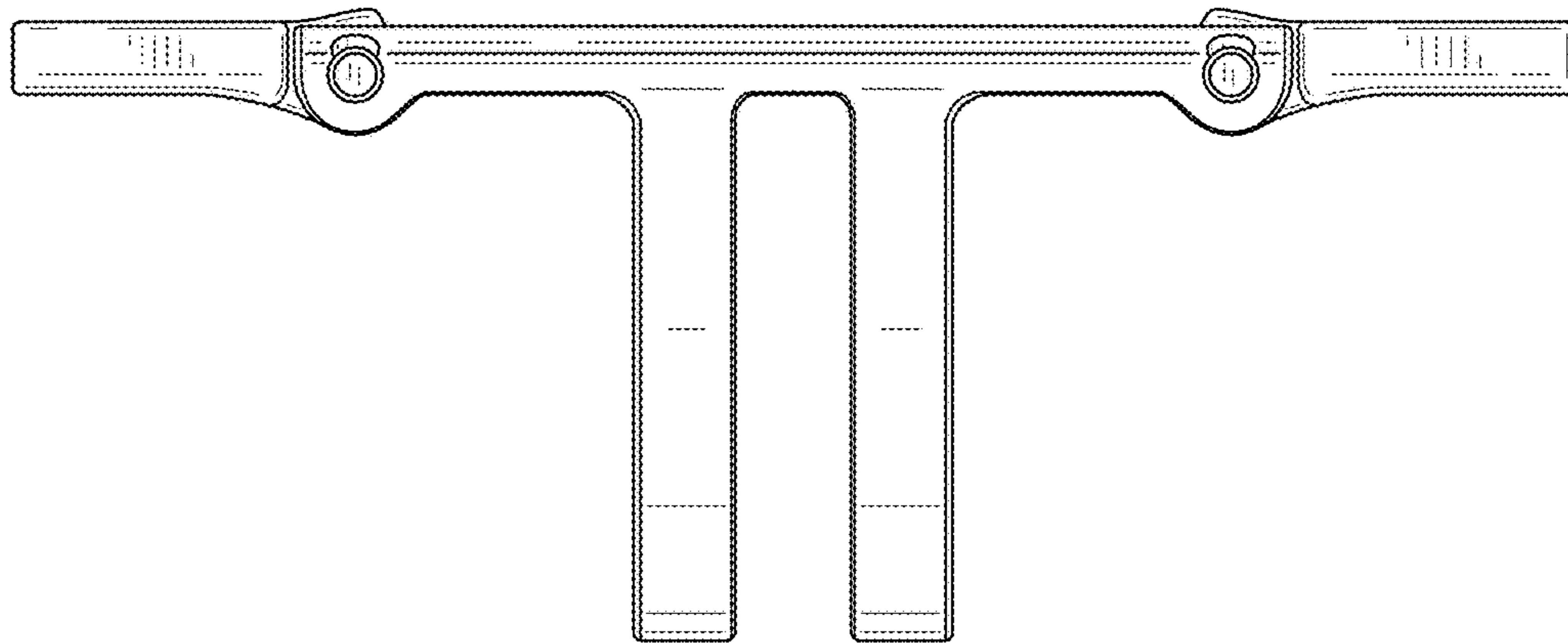


FIG. 6

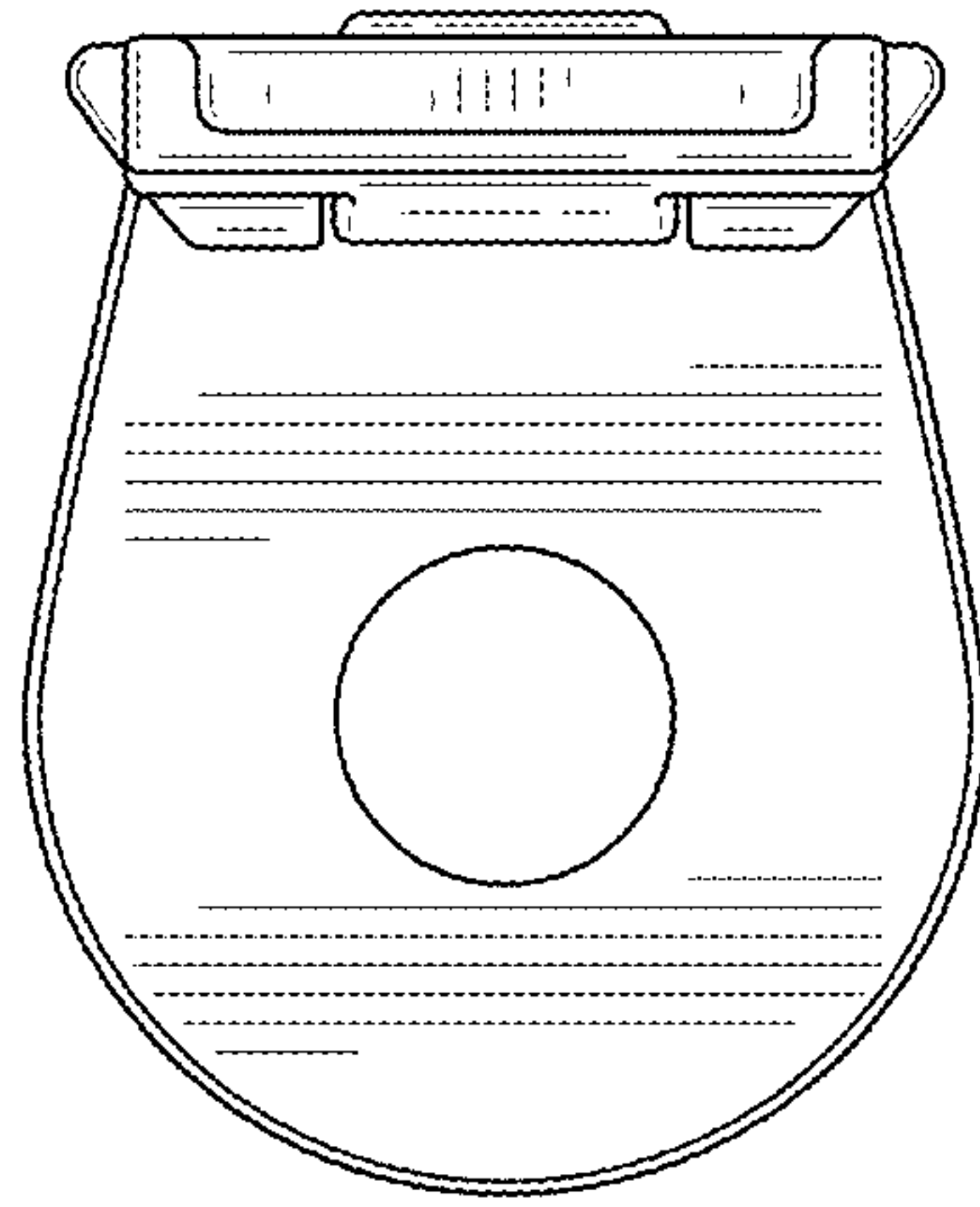


FIG. 7

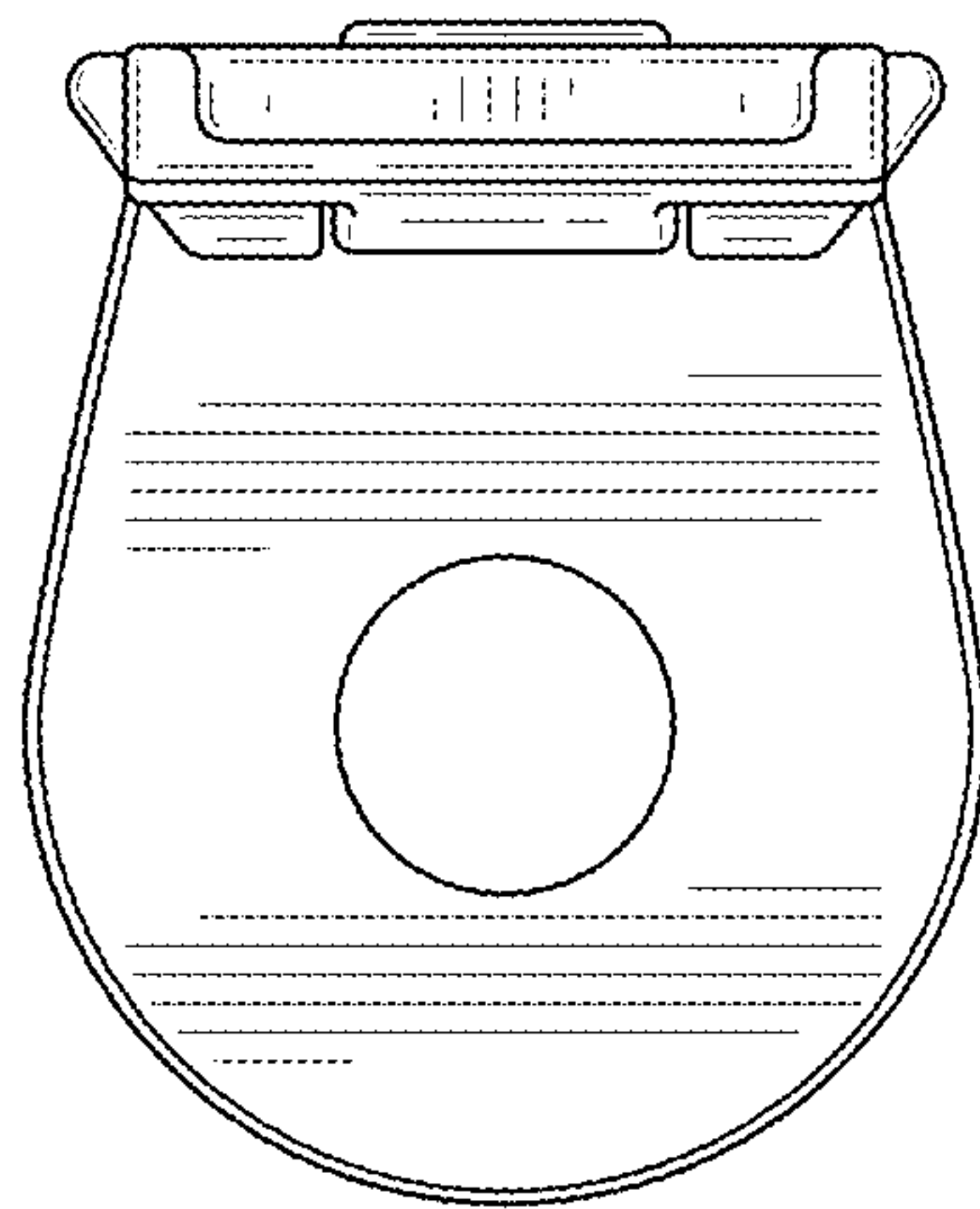


FIG. 8