



US00D841717S

(12) **United States Design Patent**
Wei et al.

(10) **Patent No.:** **US D841,717 S**

(45) **Date of Patent:** **** Feb. 26, 2019**

(54) **PANORAMIC CAMERA**

(71) Applicant: **Shanghai Xiaoyi Technology Co., Ltd.**, Shanghai (CN)

(72) Inventors: **Minfang Wei**, Shanghai (CN); **Chao He**, Beijing (CN); **Bin Sun**, Shanghai (CN); **Fengsheng Chang**, Shanghai (CN)

(73) Assignee: **SHANGHAI XIAOYI TECHNOLOGY CO., LTD.**, Shanghai (CN)

(**) Term: **15 Years**

(21) Appl. No.: **29/617,269**

(22) Filed: **Sep. 13, 2017**

(30) **Foreign Application Priority Data**

Jun. 12, 2017 (CN) 2017 3 0236889

(51) **LOC (11) Cl.** **16-01**

(52) **U.S. Cl.**
USPC **D16/210; D16/218**

(58) **Field of Classification Search**
USPC D16/200–208, 210, 214, 218, 219, 242;
D10/65, 70, 74, 106.6; 348/373–376;
358/906; 396/419, 427, 428, 535,
396/539–541
CPC G03B 15/03; G03B 17/02; G03B 17/04;
G03B 17/56; G03B 19/04; H04N 5/2251;
H04N 5/2252; H04N 5/2253; H04N
5/2254; H04N 2101/00
See application file for complete search history.

(56) **References Cited**

U.S. PATENT DOCUMENTS

5,853,045 A * 12/1998 Patry F28D 20/023
165/10
D460,978 S * 7/2002 Toste D16/203

D505,439 S * 5/2005 Liiv D16/202
D645,071 S * 9/2011 Hinkel D16/203
D734,380 S * 7/2015 Tzarnotzky D16/207
D768,750 S * 10/2016 Pfeil D16/207
9,609,234 B1 * 3/2017 Checka H04N 5/247
D785,070 S * 4/2017 Mistry D16/207
D798,930 S * 10/2017 Macmillan D16/202
D813,927 S * 3/2018 van Hoff D16/218
2001/0043737 A1 * 11/2001 Rogina G06K 9/209
382/154

(Continued)

Primary Examiner — Philip S Hyder

Assistant Examiner — Ramzi S Almatrahi

(74) *Attorney, Agent, or Firm* — Finnegan, Henderson, Farabow, Garrett & Dunner, L.L.P.

(57) **CLAIM**

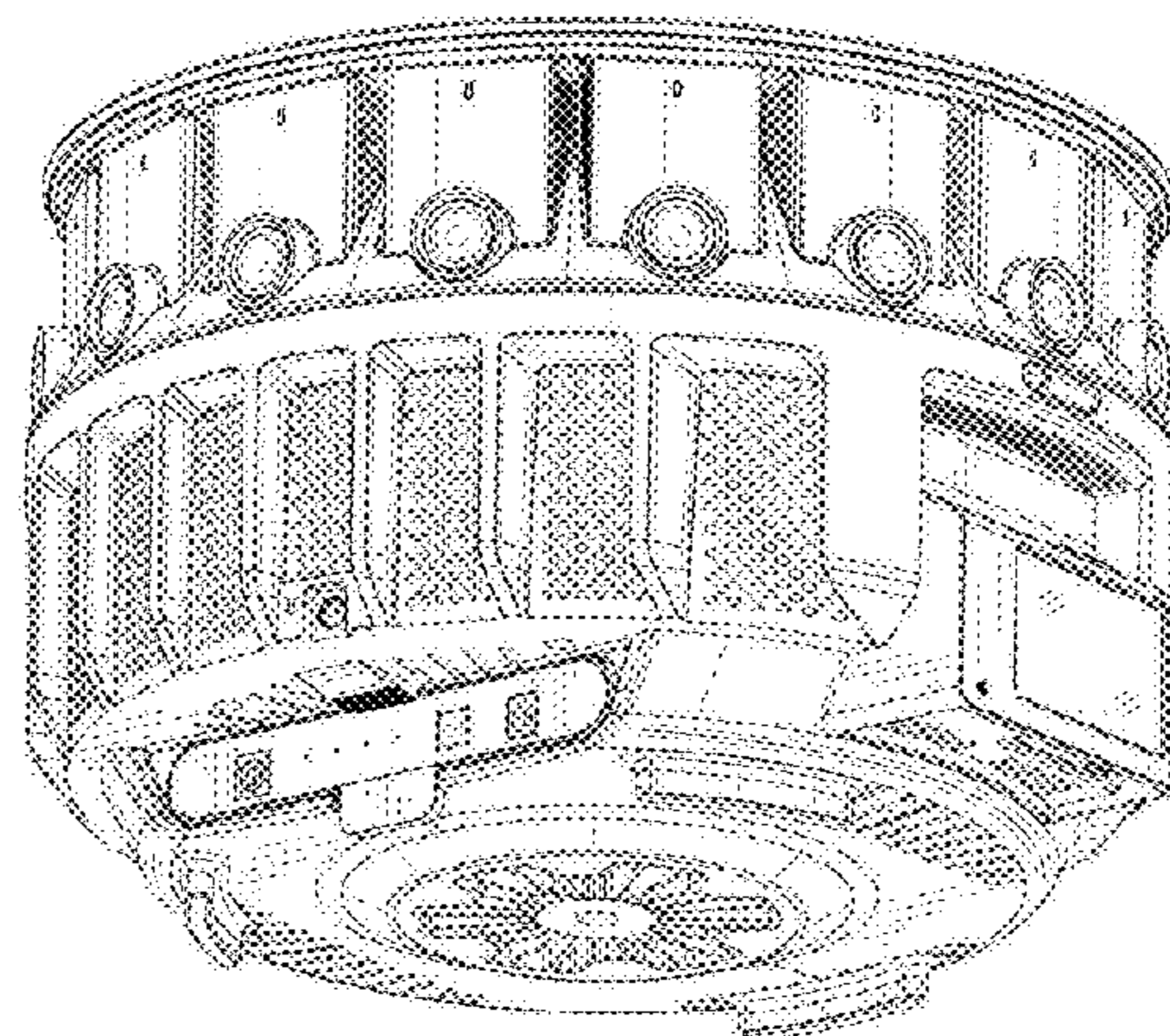
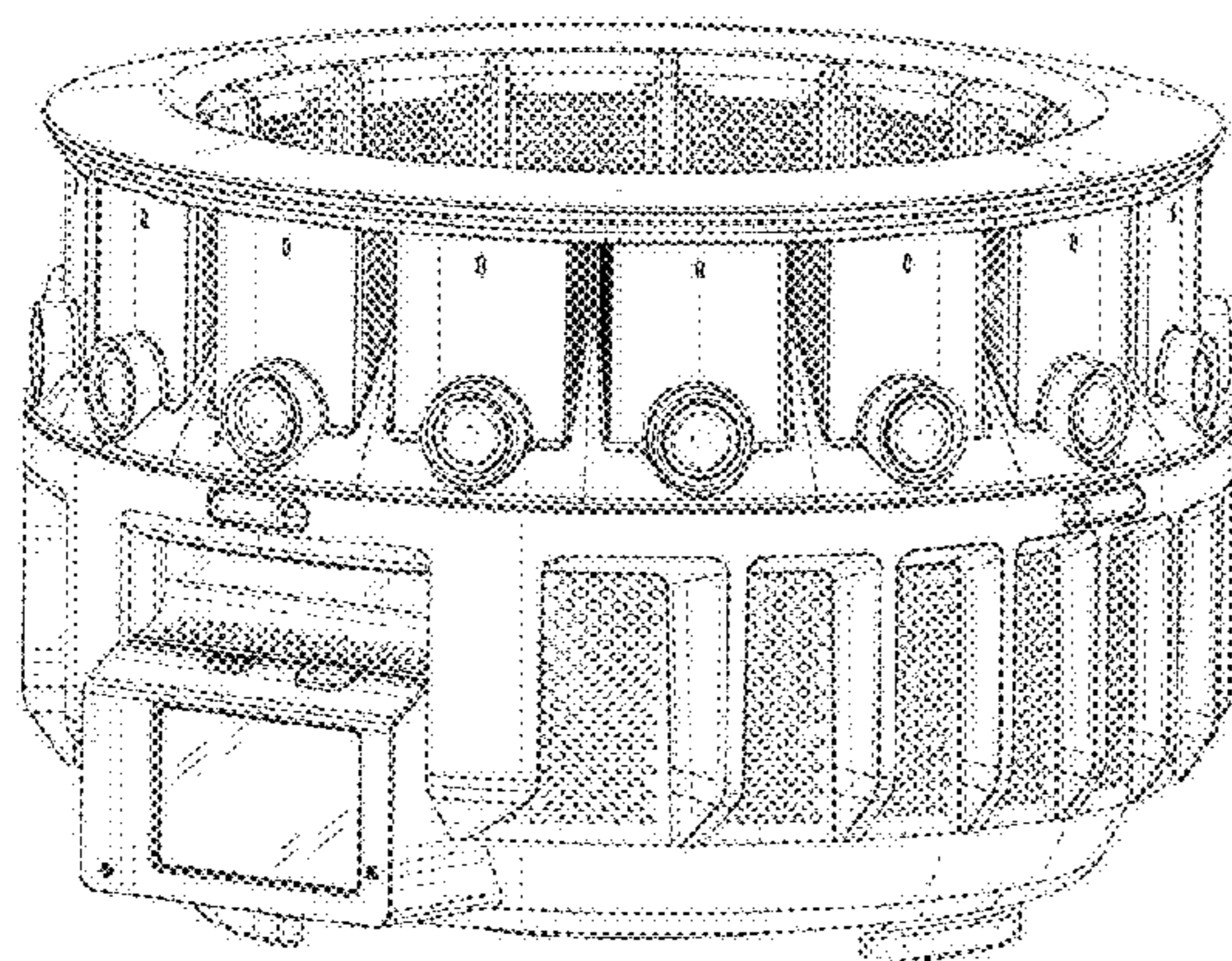
The ornamental design for a panoramic camera, as shown and described.

DESCRIPTION

FIG. 1 is a top, front and right side perspective view of a panoramic camera showing our new design; FIG. 2 is a top, rear and left side perspective view thereof; FIG. 3 is a bottom, front and left side perspective view thereof; FIG. 4 is a top, front and left side perspective view thereof; FIG. 5 is a front elevation view thereof; FIG. 6 is a rear elevation view thereof; FIG. 7 is a left side elevation view thereof; FIG. 8 is a right side elevation view thereof; FIG. 9 is a top plan view thereof; and, FIG. 10 is a bottom plan view thereof.

The broken lines shown in the drawings illustrate portions of the panoramic camera that form no part of the claimed design.

1 Claim, 10 Drawing Sheets



(56)

References Cited

U.S. PATENT DOCUMENTS

2011/0128349 A1* 6/2011 Theobald H04N 5/23238
348/36
2015/0348580 A1* 12/2015 van Hoff G11B 19/20
348/38

* cited by examiner

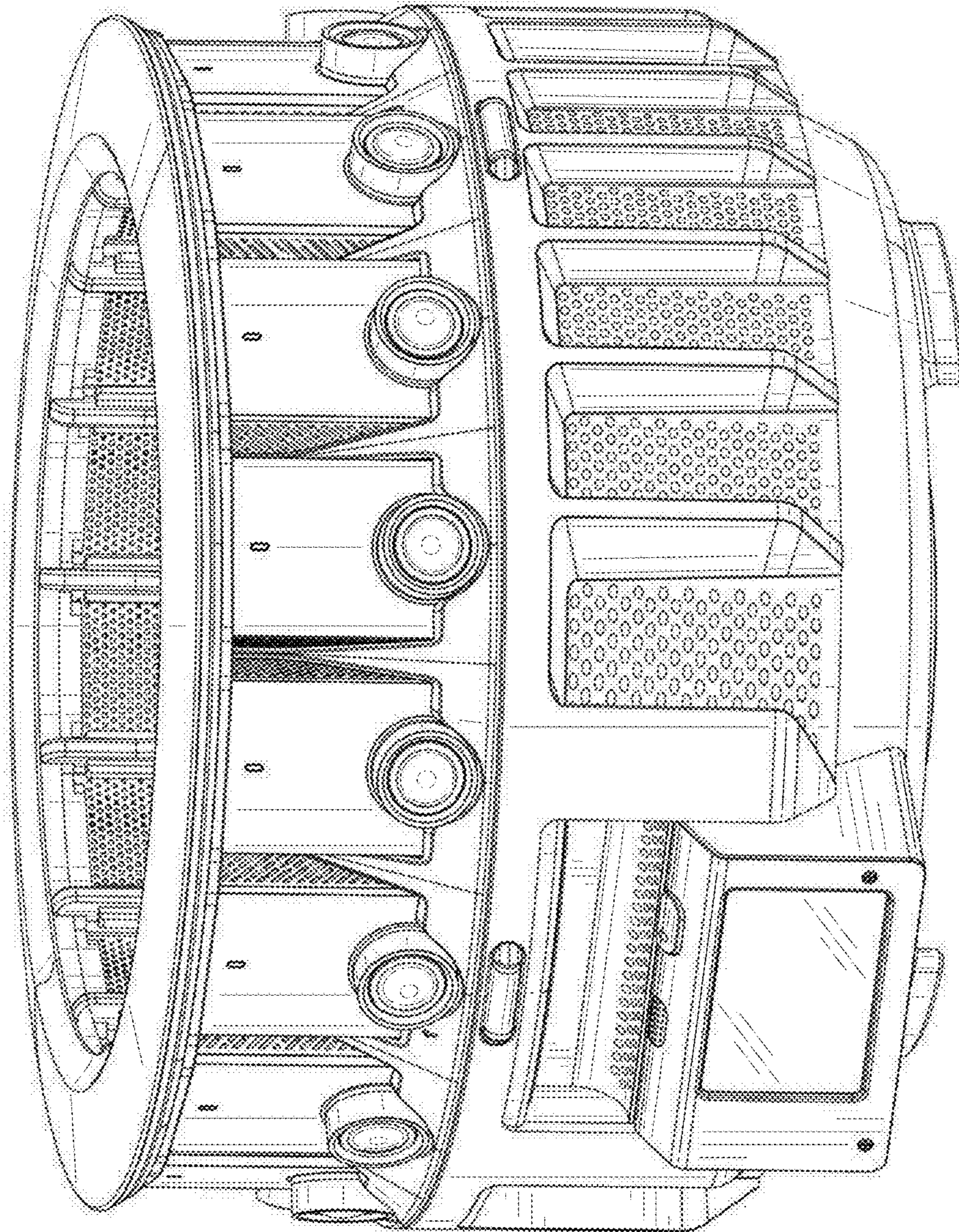


FIG. 1

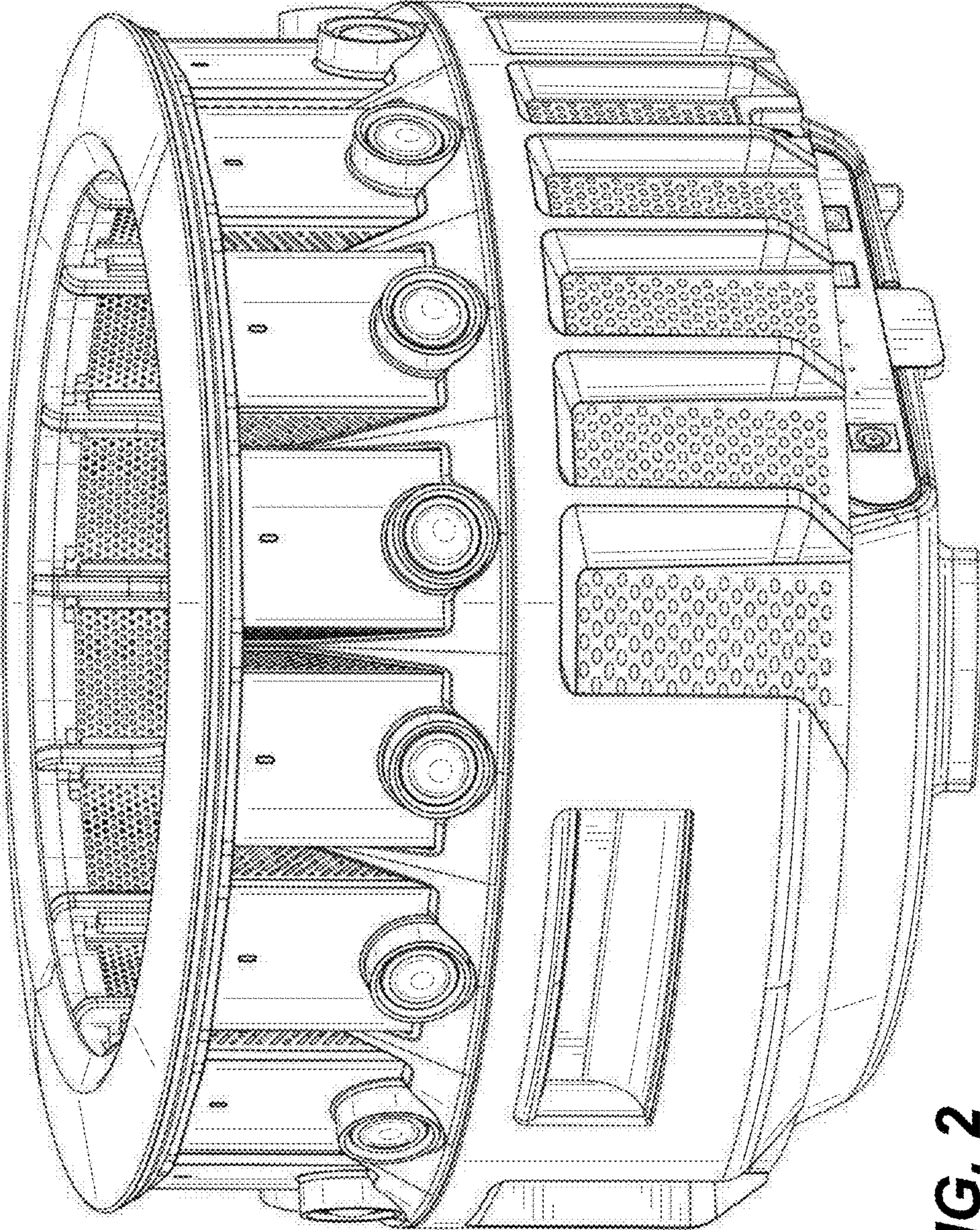


FIG. 2

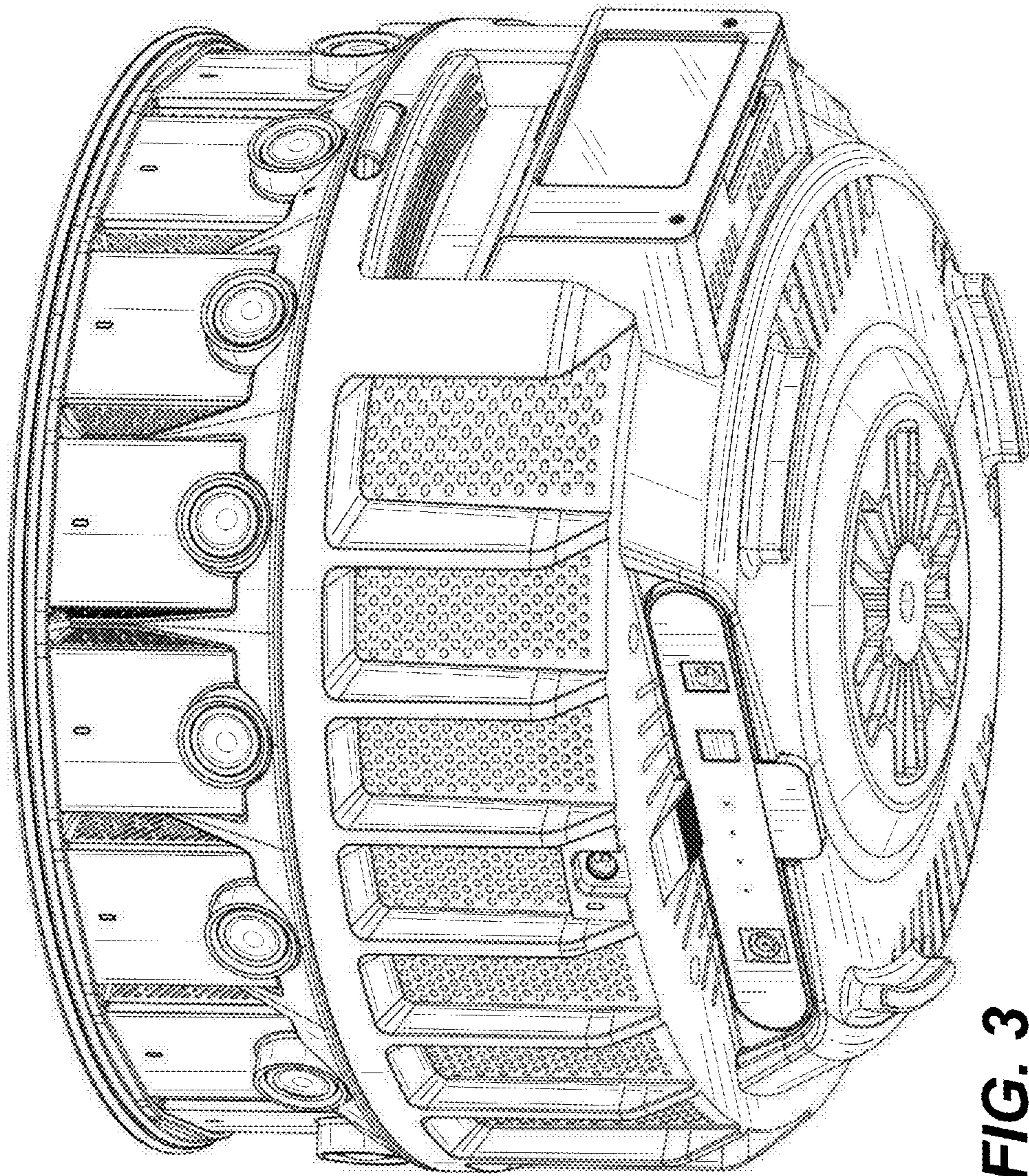


FIG. 3

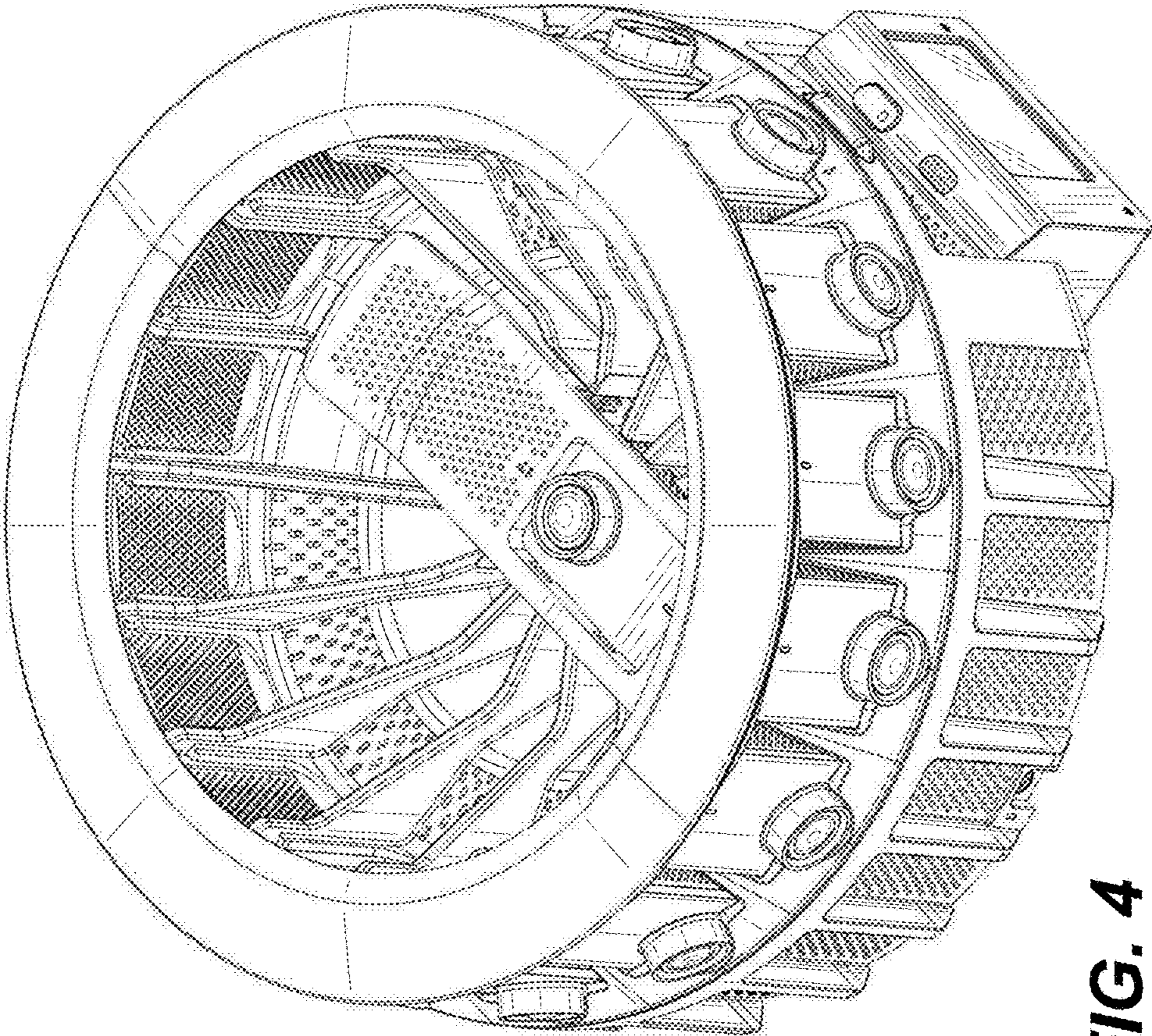


FIG. 4

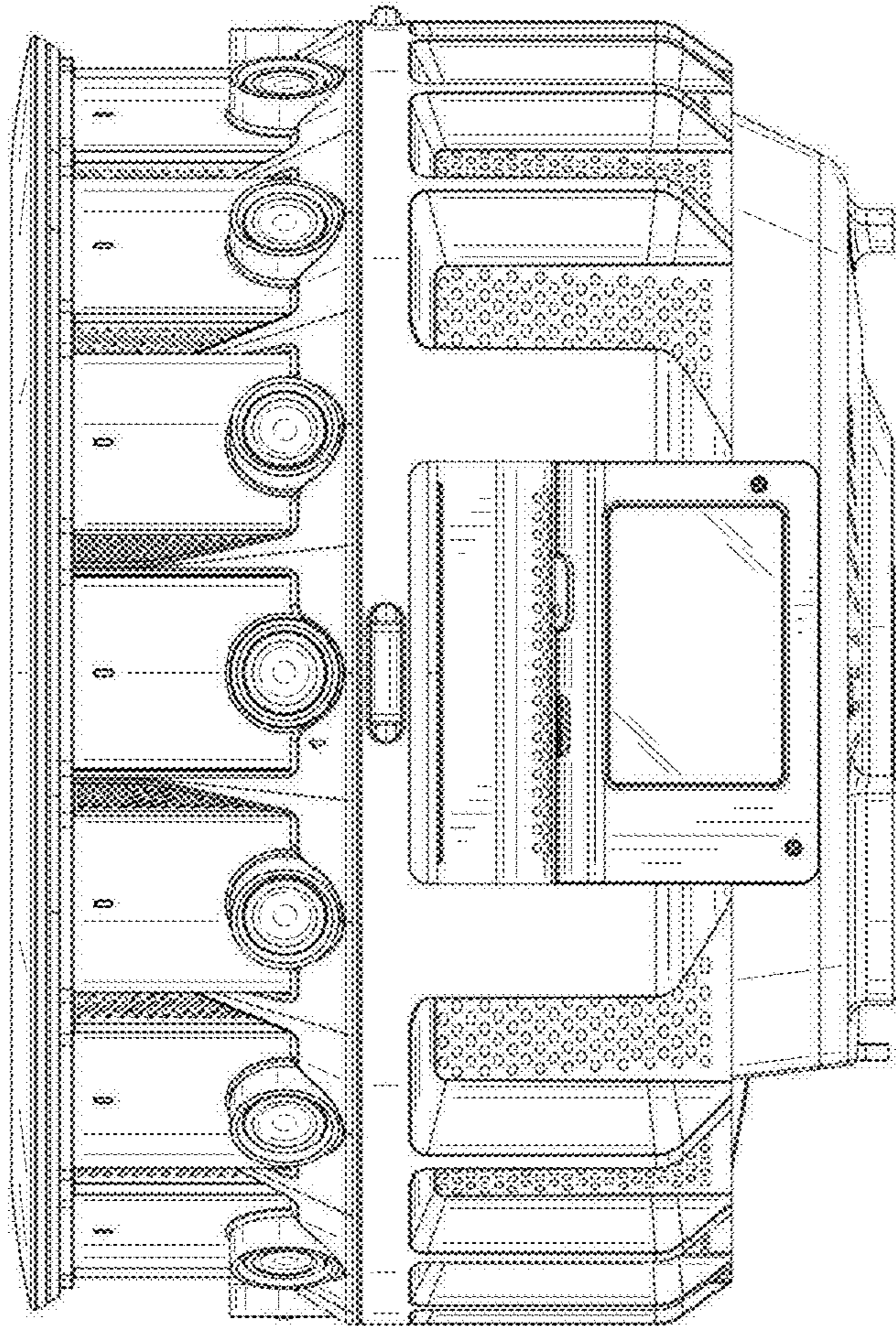


FIG. 5

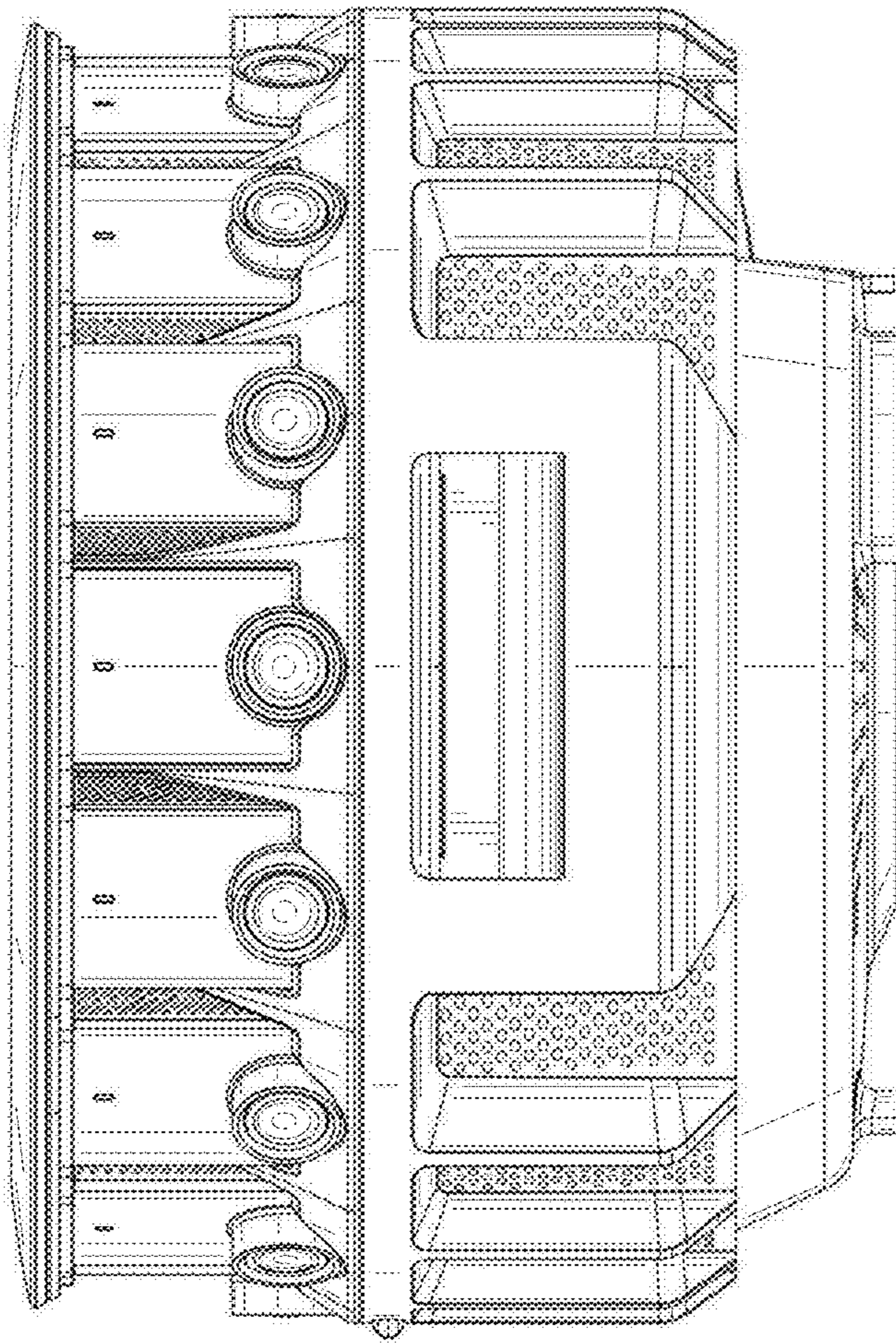


FIG. 6

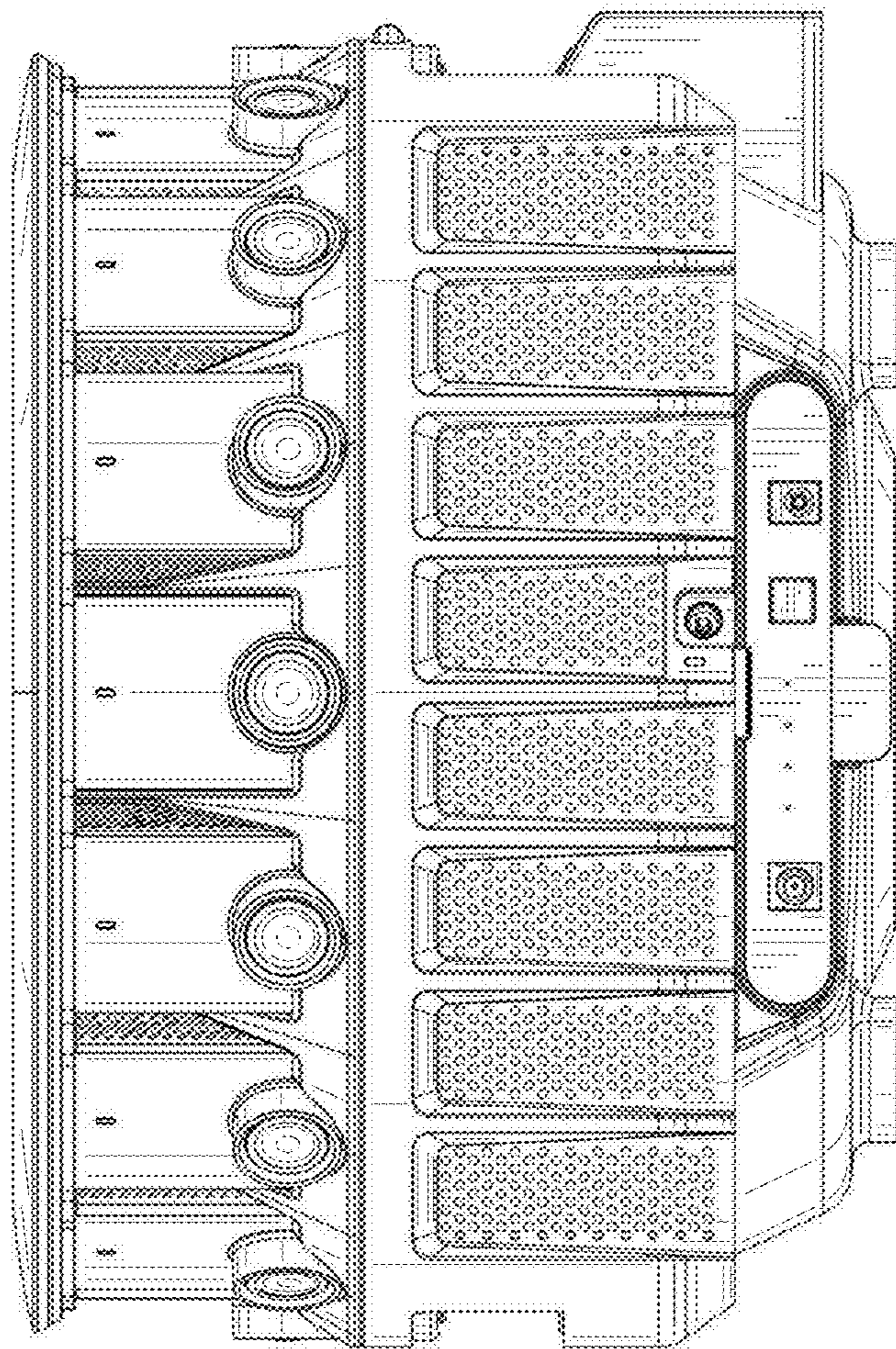


FIG. 7

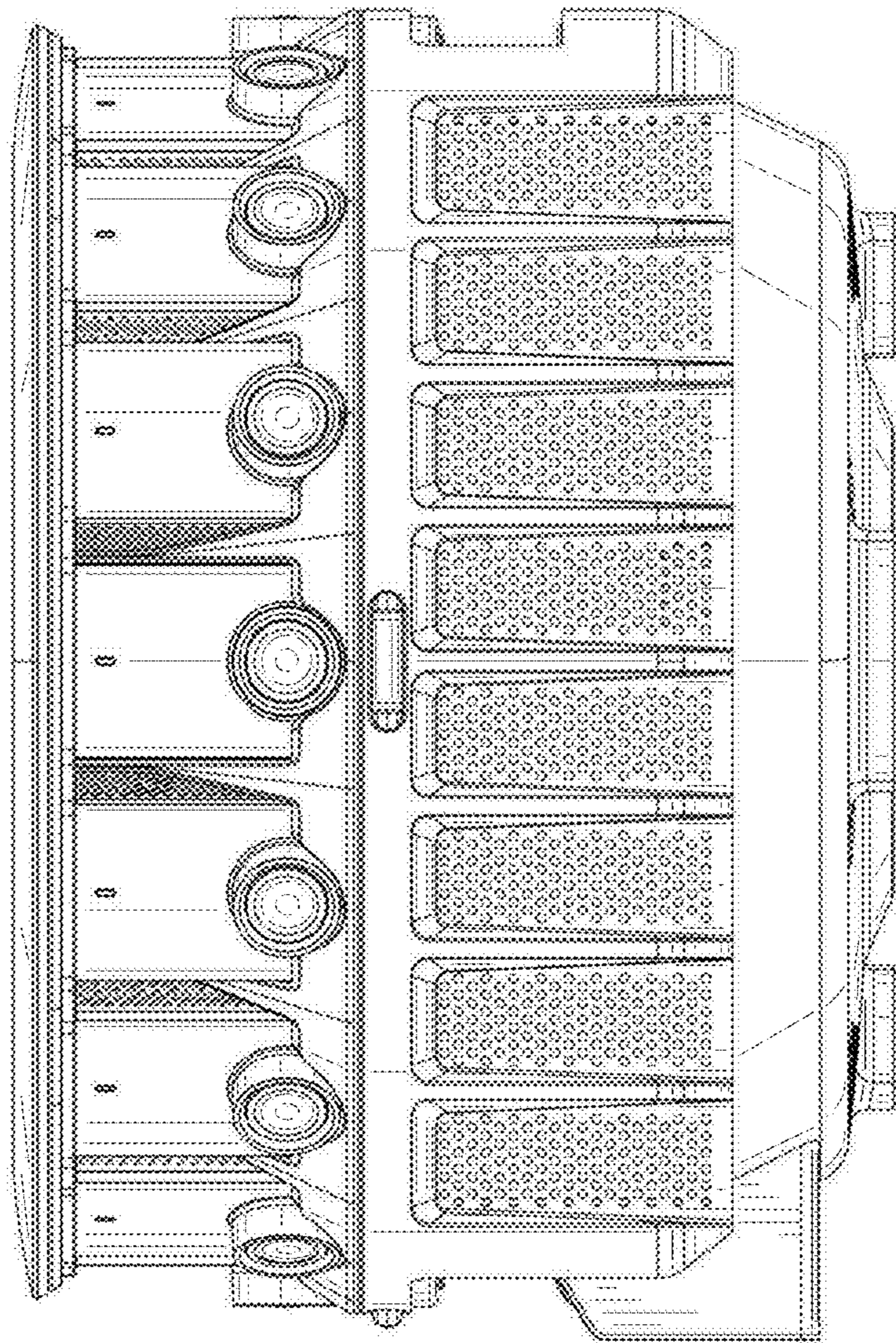


FIG. 8

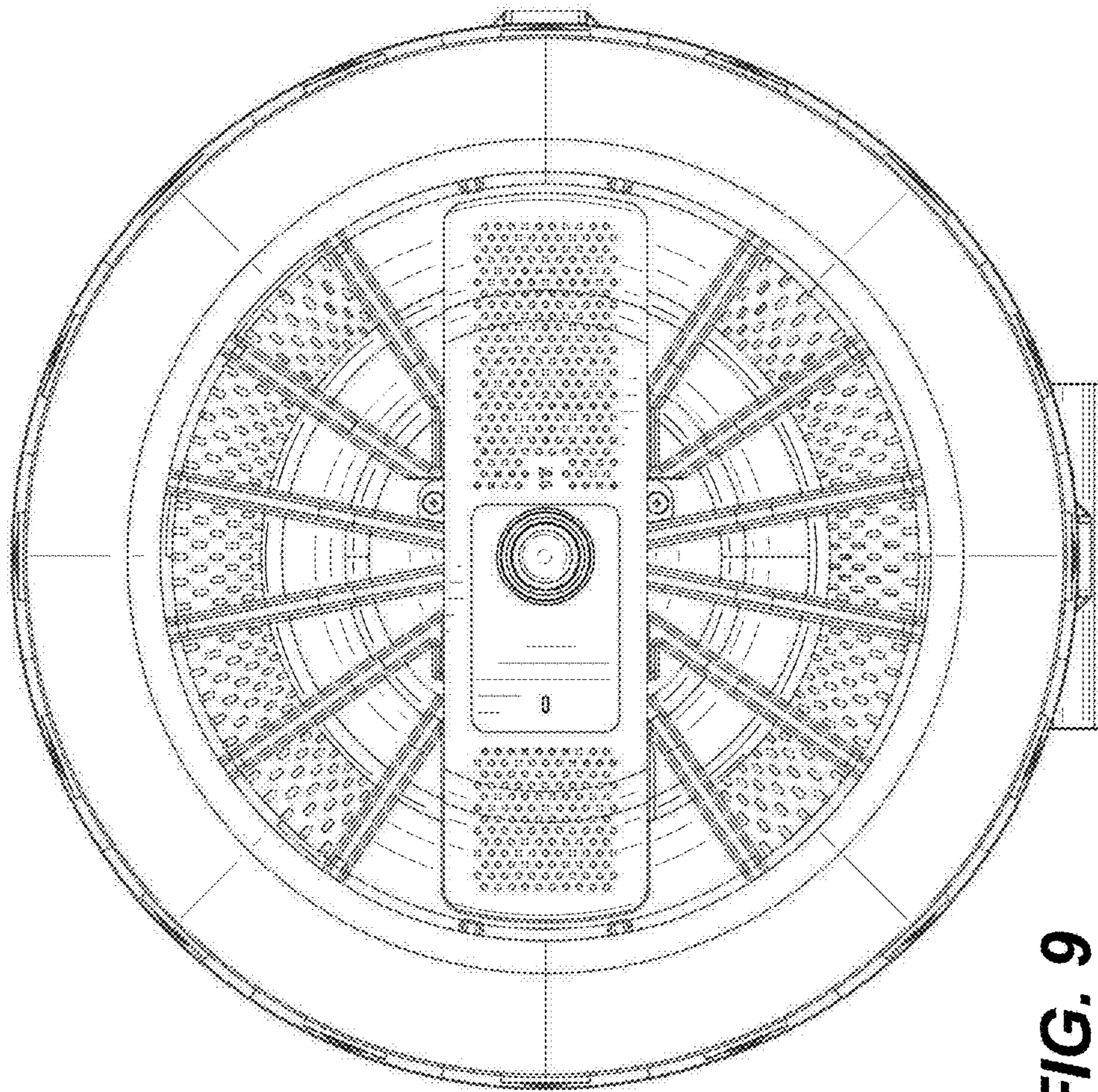


FIG. 9

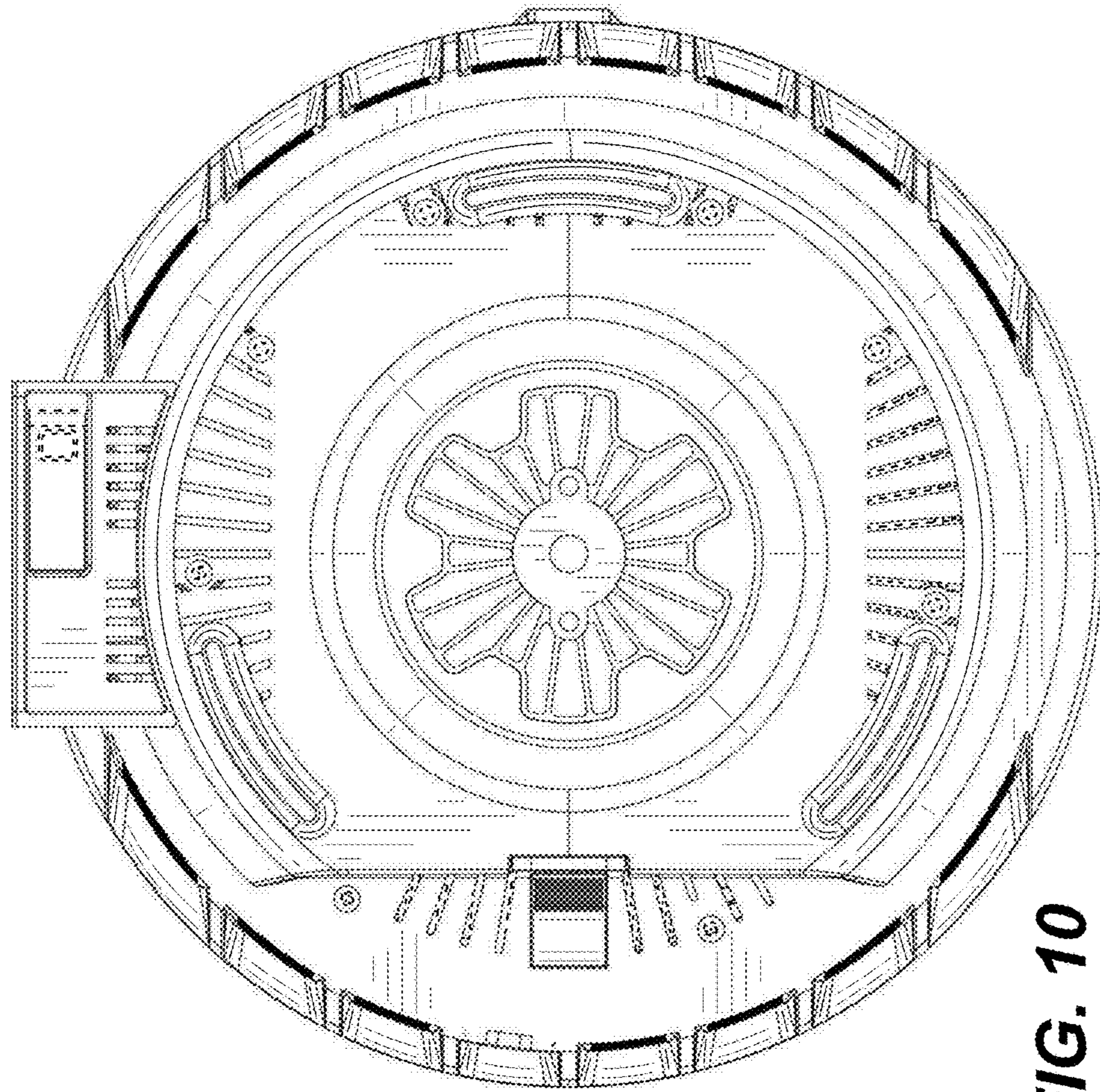


FIG. 10