



US00D841716S

(12) **United States Design Patent** (10) **Patent No.:** **US D841,716 S**
Teachworth et al. (45) **Date of Patent:** **** Feb. 26, 2019**

(54) **CAMERA HOUSING WITH MOUNT**

(71) Applicant: **Cisco Technology, Inc.**, San Jose, CA (US)

(72) Inventors: **Morgan Teachworth**, Campbell, CA (US); **Nicholas Kawamoto**, Novato, CA (US); **Jennifer Ouk**, San Francisco, CA (US); **Raj Misra**, Milpitas, CA (US)

(73) Assignee: **CISCO TECHNOLOGY, INC.**, San Jose, CA (US)

(**) Term: **15 Years**

(21) Appl. No.: **29/656,176**

(22) Filed: **Jul. 11, 2018**

Related U.S. Application Data

(63) Continuation of application No. 29/589,103, filed on Dec. 28, 2016, now Pat. No. Des. 824,985.

(51) **LOC (11) Cl.** **16-01**

(52) **U.S. Cl.**
USPC **D16/203**

(58) **Field of Classification Search**
USPC D16/200, 202–206, 218, 219, 242; 348/143, 148, 151, 373–376; 396/419, 396/427, 535, 539–541
CPC G03B 17/02; G03B 19/04; G03B 17/56; G03B 17/04; G03B 15/03; H04N 5/2251; H04N 5/2252; H04N 5/2253; H04N 5/2254; H04N 7/181; H04N 7/183; H04N 7/18; G08B 13/1963; G08B 13/19619; G08B 13/19632; F16M 11/04; F16M 13/00

See application file for complete search history.

(56) **References Cited**

U.S. PATENT DOCUMENTS

D552,501	S	*	10/2007	Lin	D10/104.1
D584,756	S	*	1/2009	Yamakawa	D16/203
D628,225	S	*	11/2010	Deurwaarder	D16/203
D633,120	S	*	2/2011	Ham	D16/203
D639,842	S	*	6/2011	Zeinoun	D16/203
8,066,438	B2	*	11/2011	Takahashi	H04N 5/2251 348/143
D688,720	S	*	8/2013	Yilin	D16/203
D690,345	S	*	9/2013	Seo	D16/203

(Continued)

Primary Examiner — Philip S Hyder

Assistant Examiner — Ramzi S Almatrahi

(74) *Attorney, Agent, or Firm* — Polsinelli PC

(57) **CLAIM**

The ornamental design for a camera housing with mount, as shown and described.

DESCRIPTION

FIG. 1 is a front and left side perspective view of a camera housing with mount showing our new design.

FIG. 2 is a rear and right side perspective view thereof;

FIG. 3 is an exploded rear and right side perspective view thereof;

FIG. 4 is an exploded top and rear perspective view thereof;

FIG. 5 is a front elevational view thereof;

FIG. 6 is a rear elevational view thereof;

FIG. 7 is a right side elevational view thereof.

FIG. 8 is a left side elevational view thereof;

FIG. 9 is a top plan view thereof;

FIG. 10 is a bottom plan view thereof;

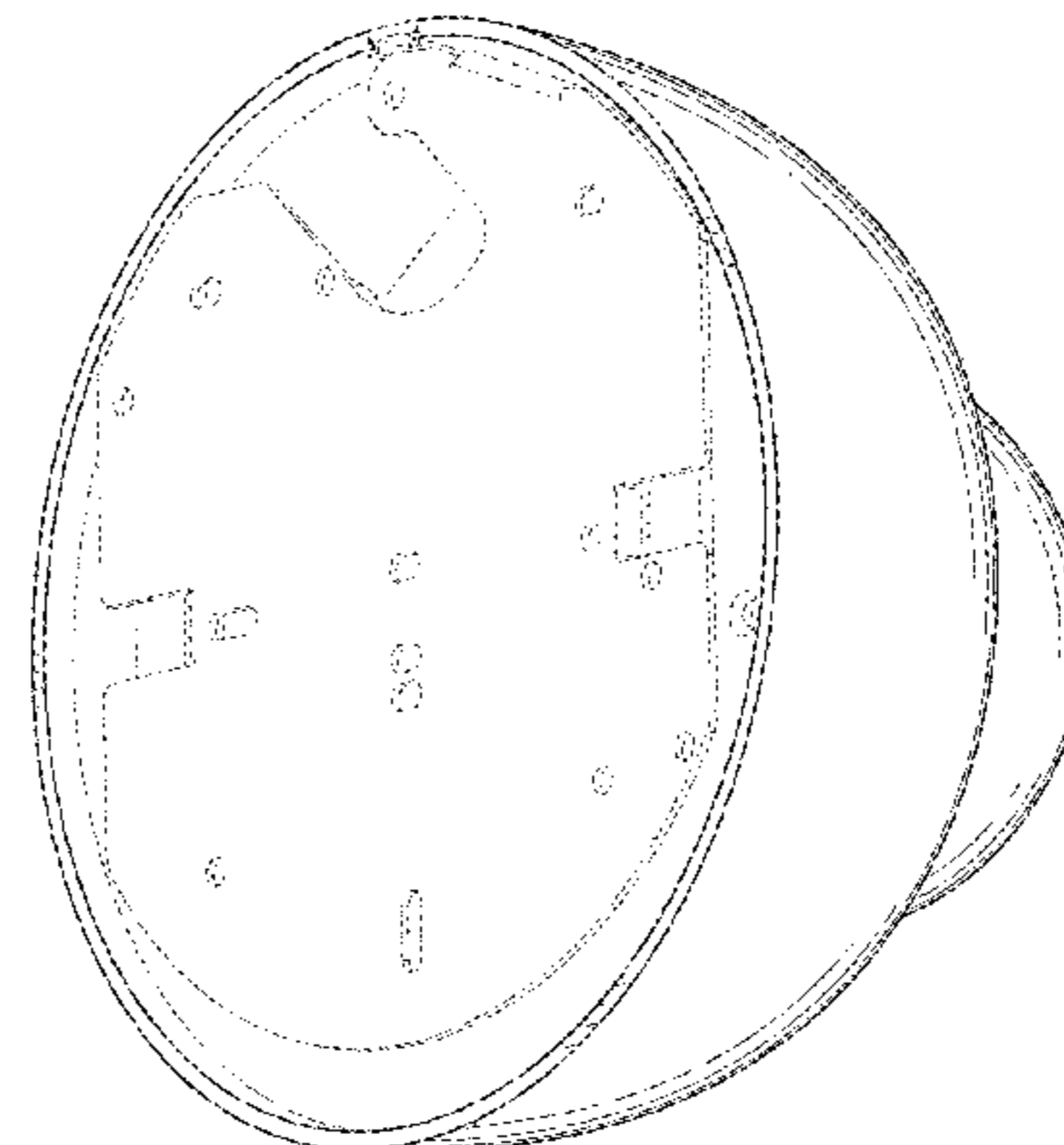
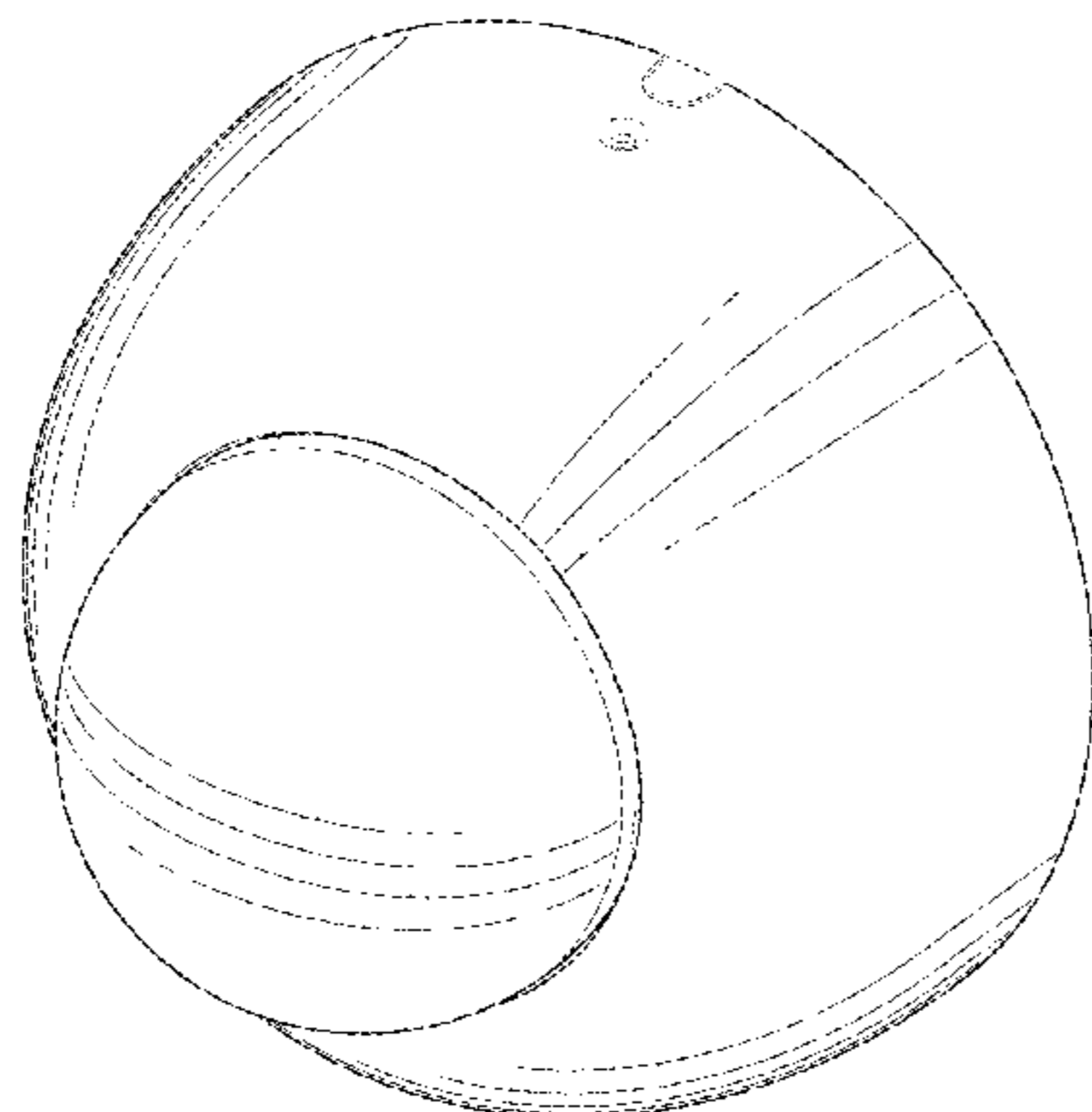
FIG. 11 is a rear and right side perspective view of the mount of the camera housing, with the camera housing omitted for ease of illustration;

FIG. 12 is a top and front perspective view thereof; and,

FIG. 13 is a top plan view thereof.

The broken lines depict portions of the camera housing with mount in which the design is embodied that form no part of the claimed design.

1 Claim, 13 Drawing Sheets



(56)

References Cited

U.S. PATENT DOCUMENTS

D740,870 S * 10/2015 Park D16/203
D761,341 S * 7/2016 Katori D16/203
D798,934 S * 10/2017 Wu D16/203
2011/0158637 A1* 6/2011 Jung G03B 15/03
396/535
2013/0169805 A1* 7/2013 Park G08B 13/19619
348/143

* cited by examiner

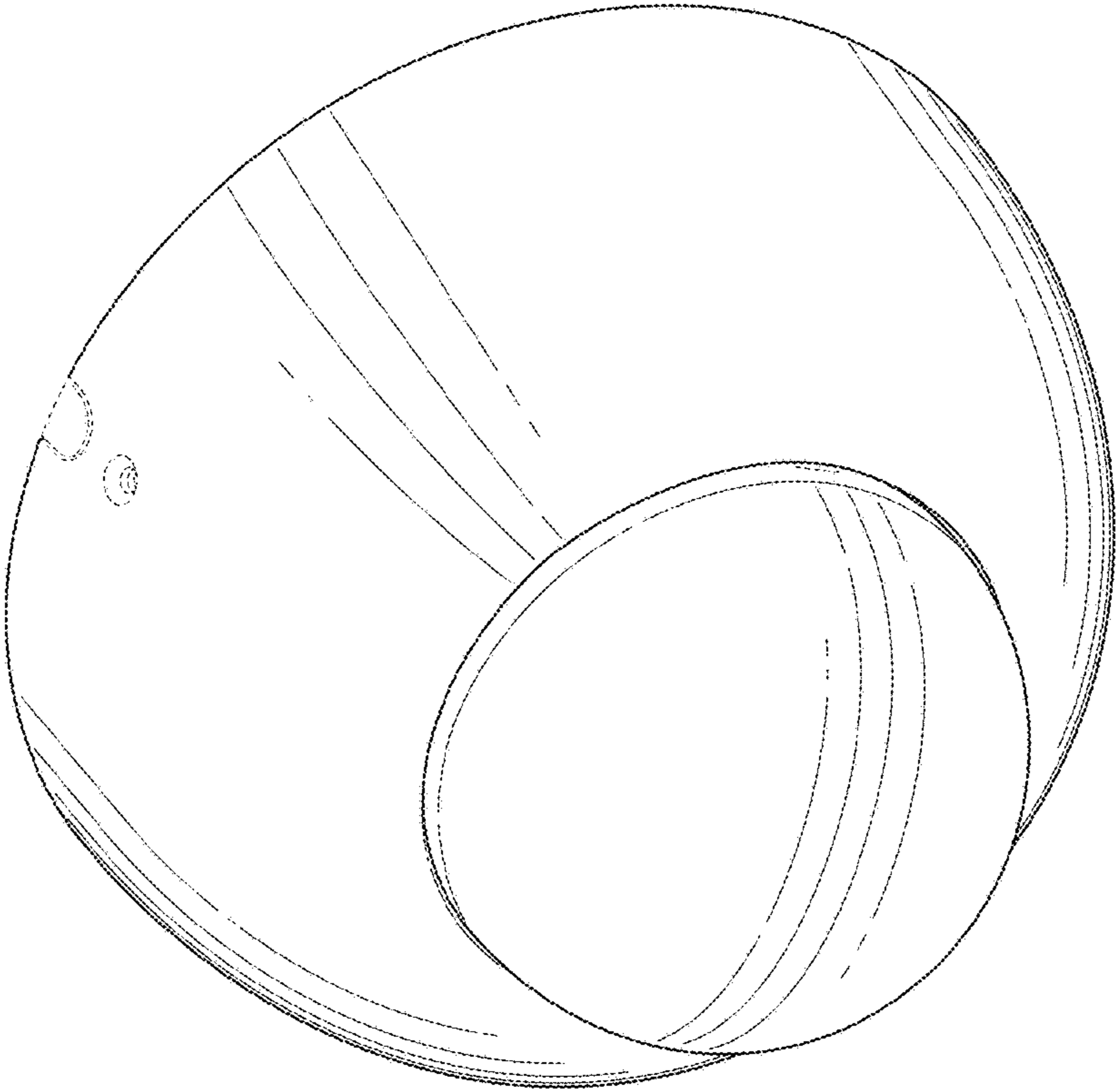


FIG. 1

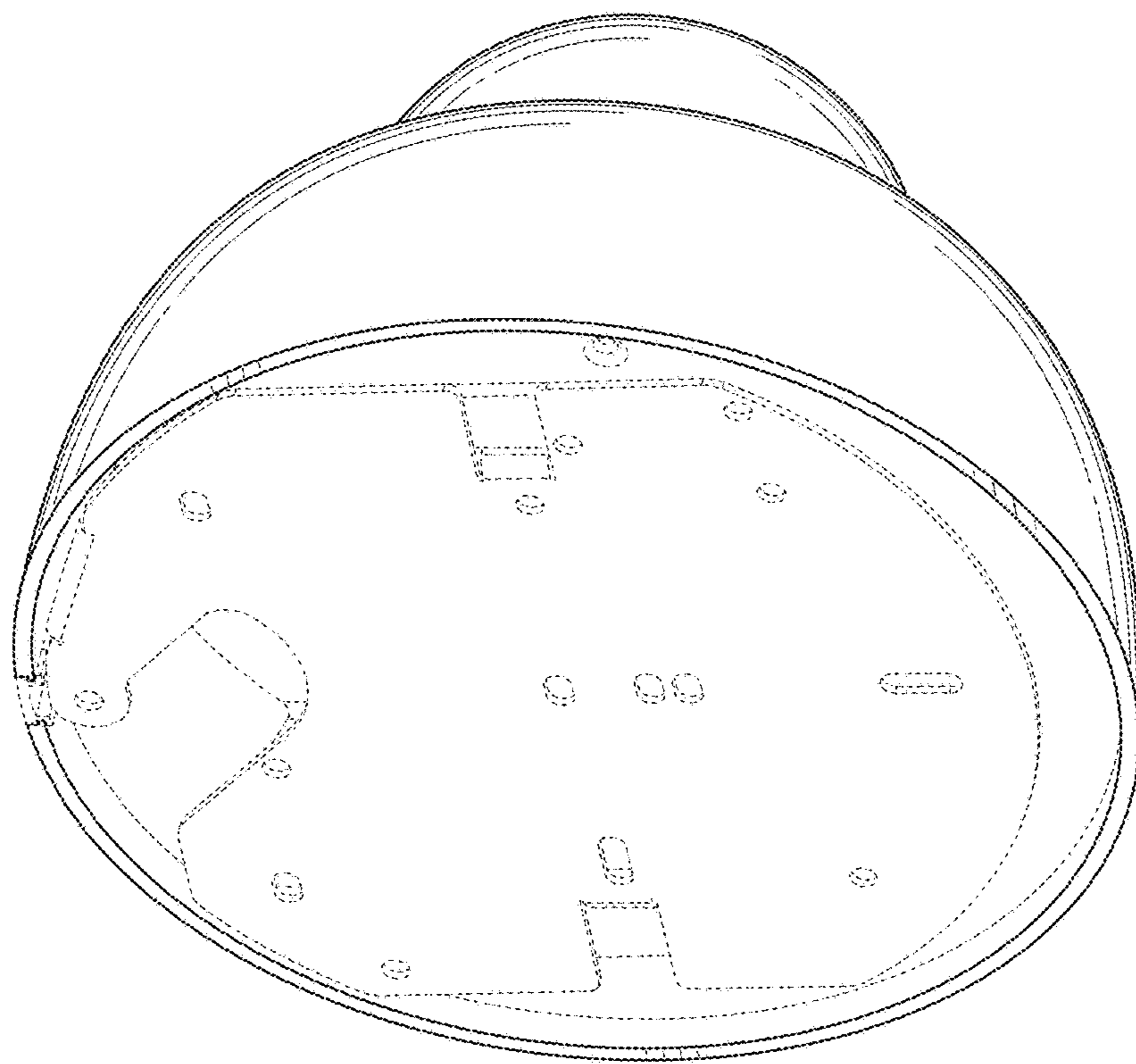


FIG. 2

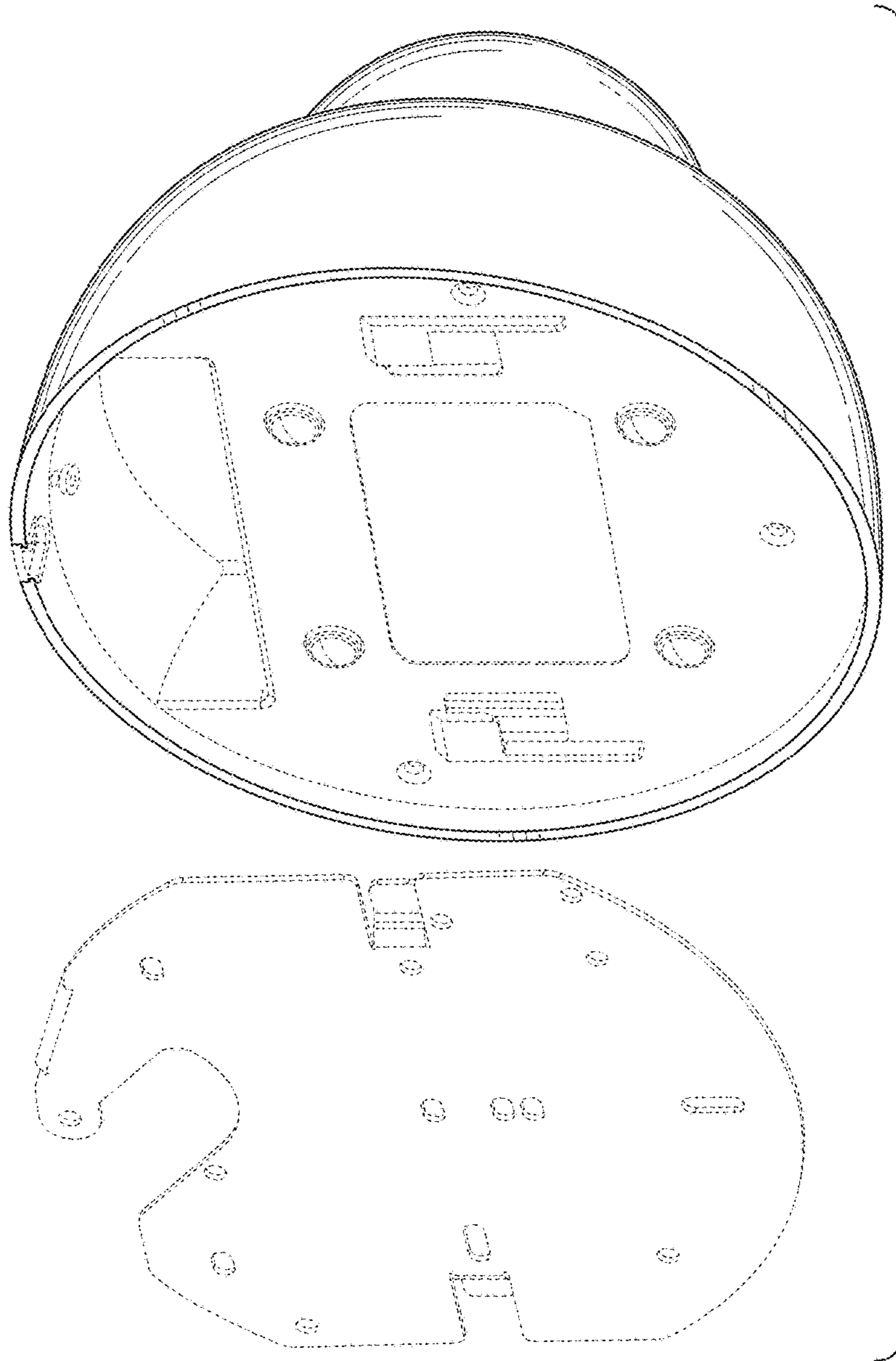


FIG. 3

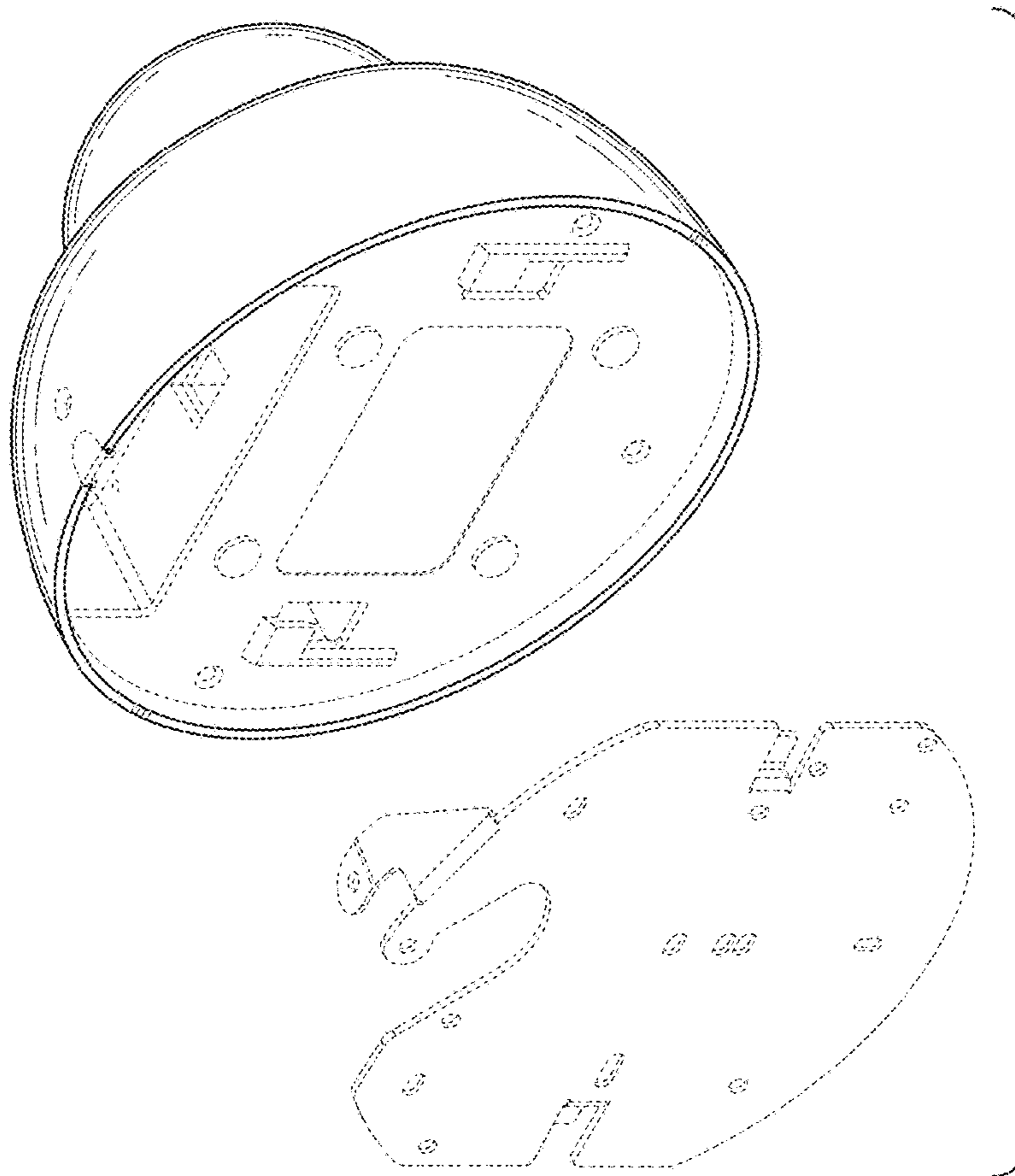


FIG. 4

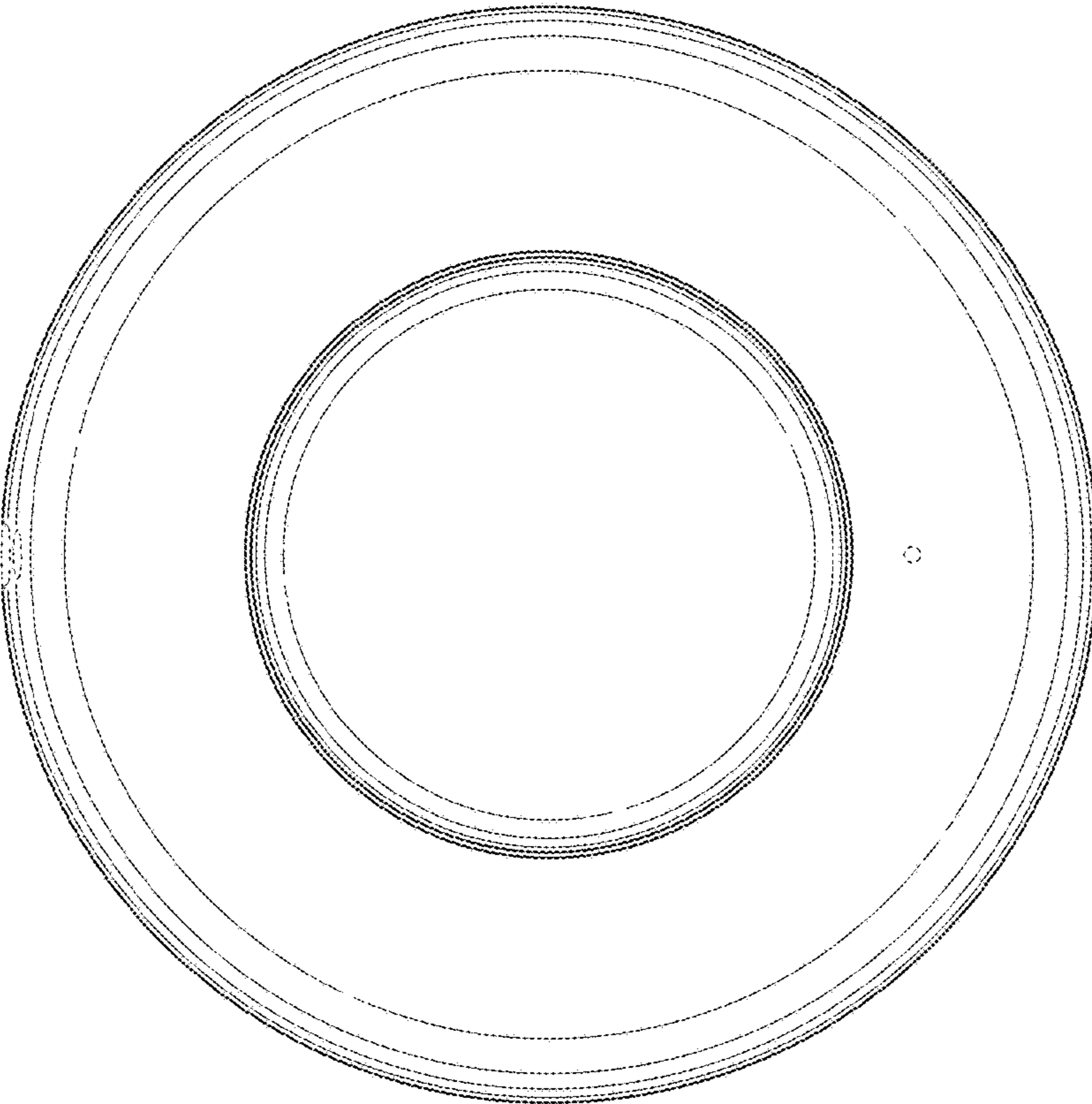


FIG. 5

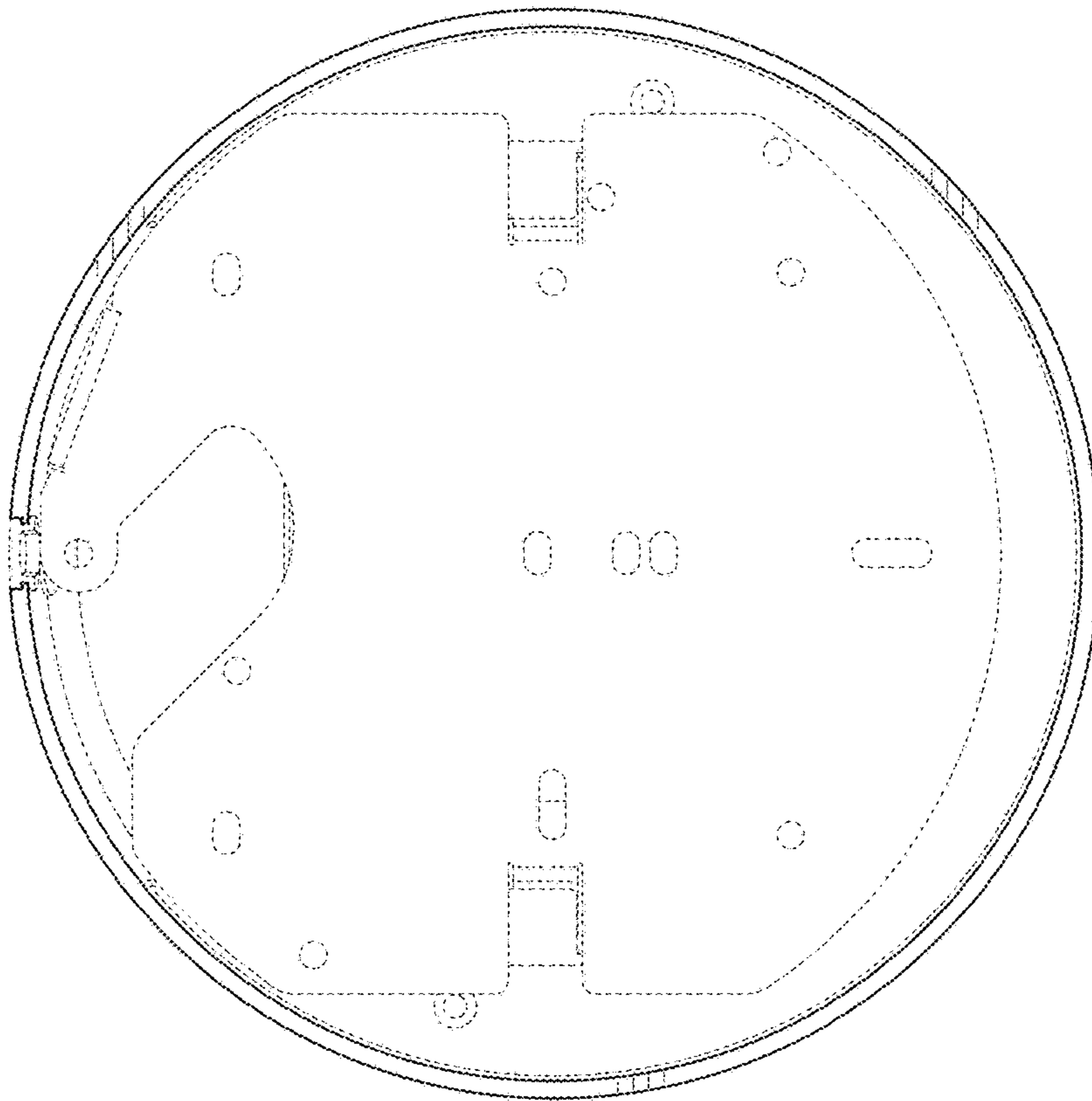


FIG. 6

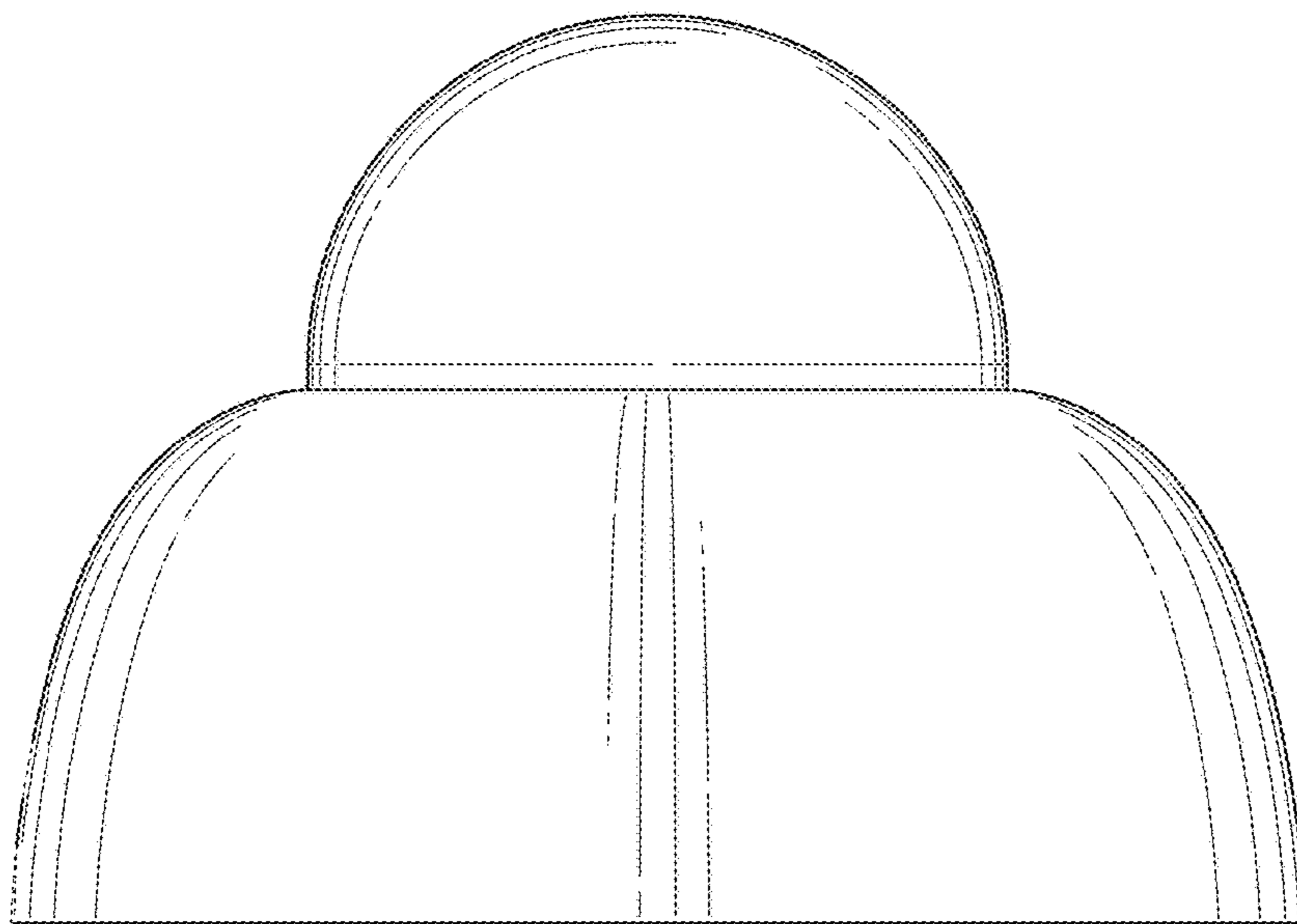


FIG. 7

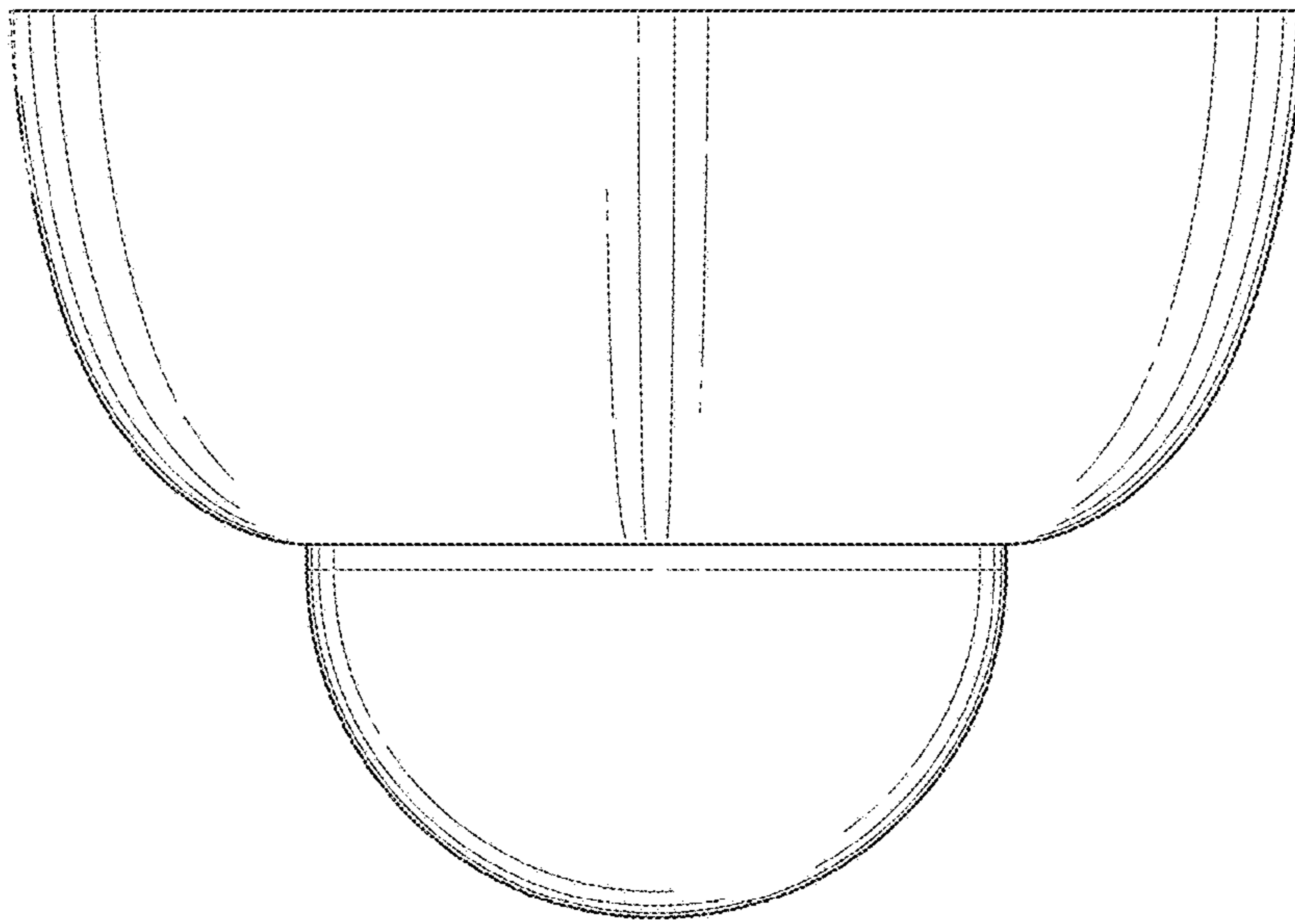


FIG. 8

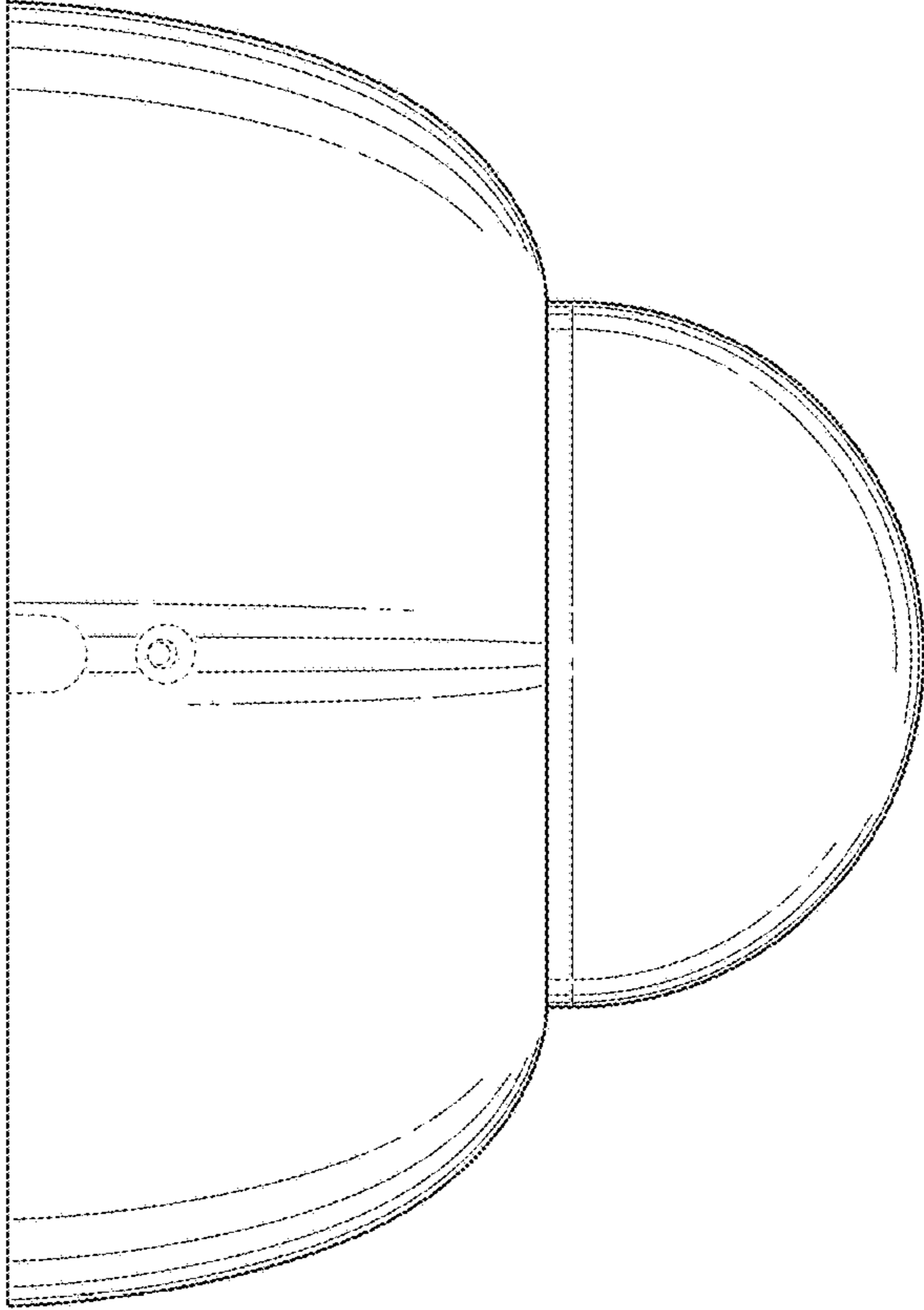


FIG. 9

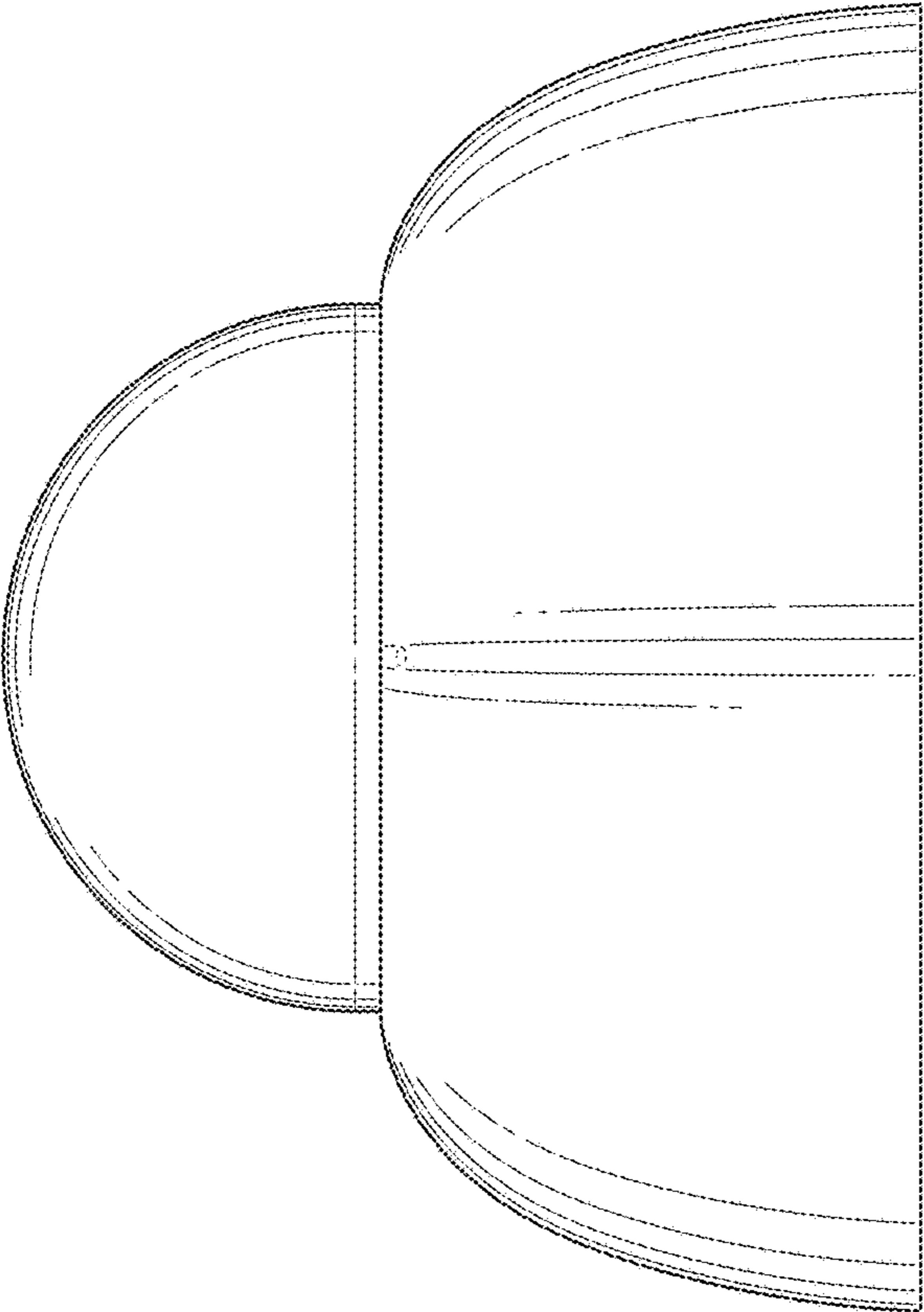


FIG. 10

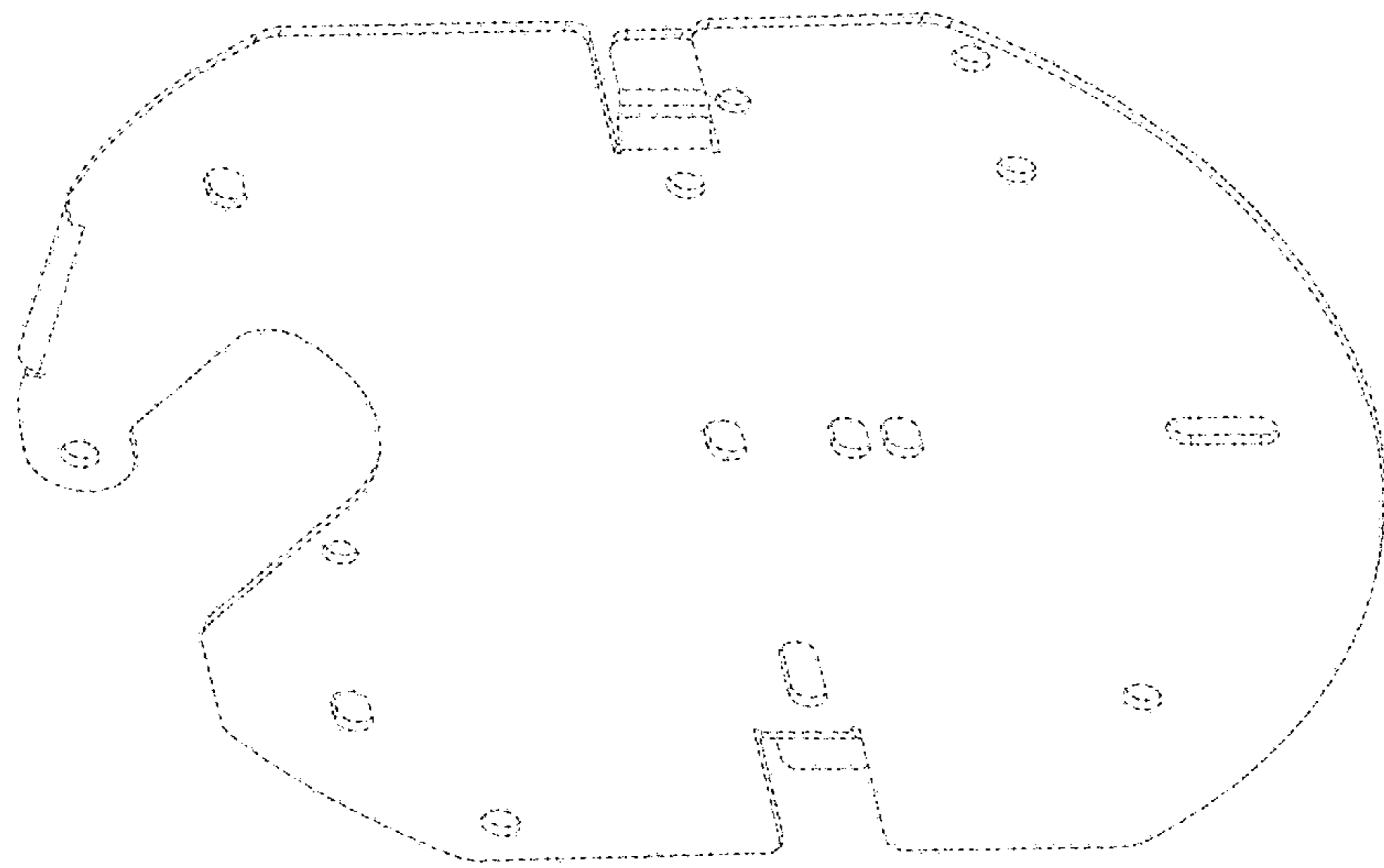


FIG. 11

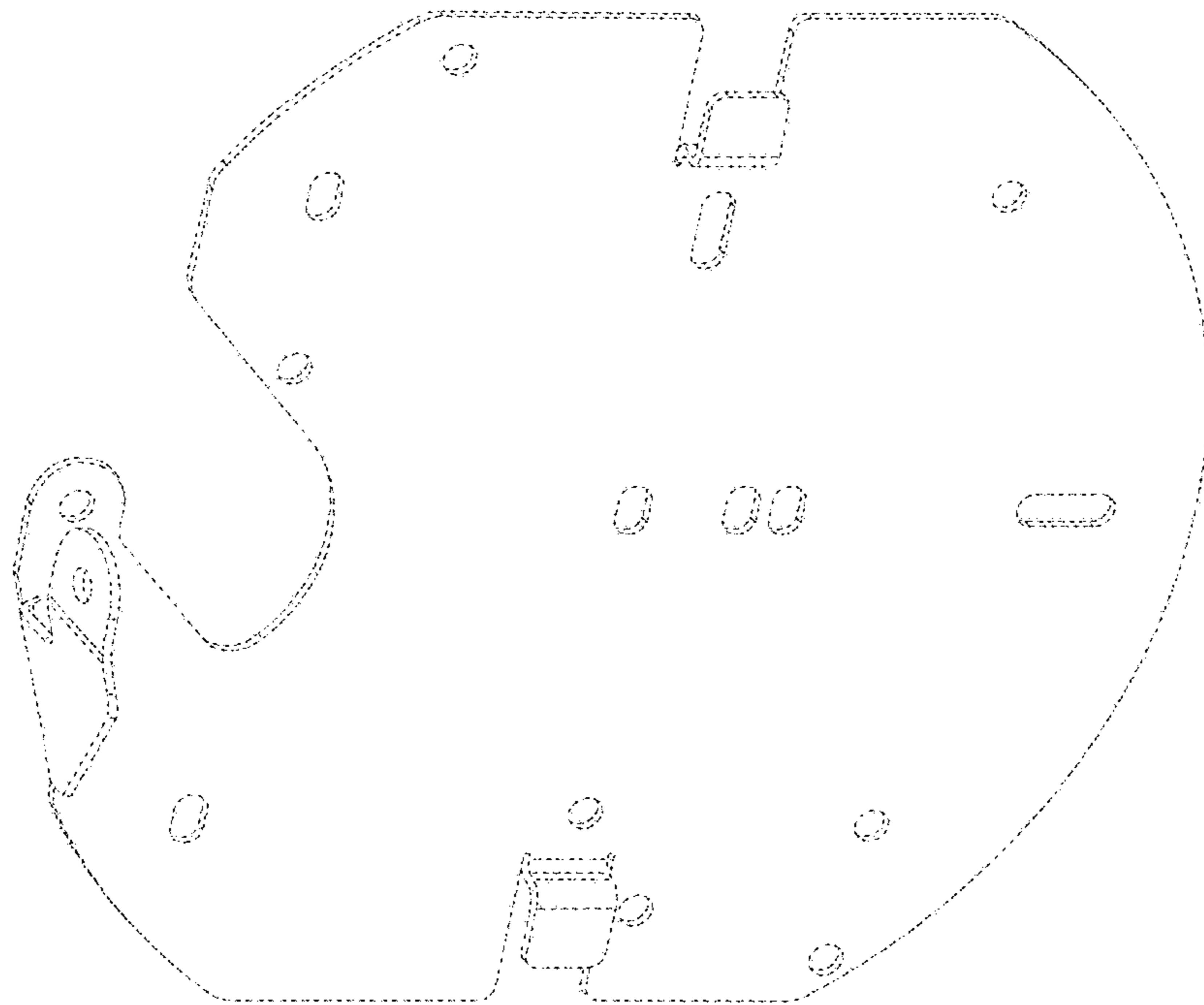


FIG. 12

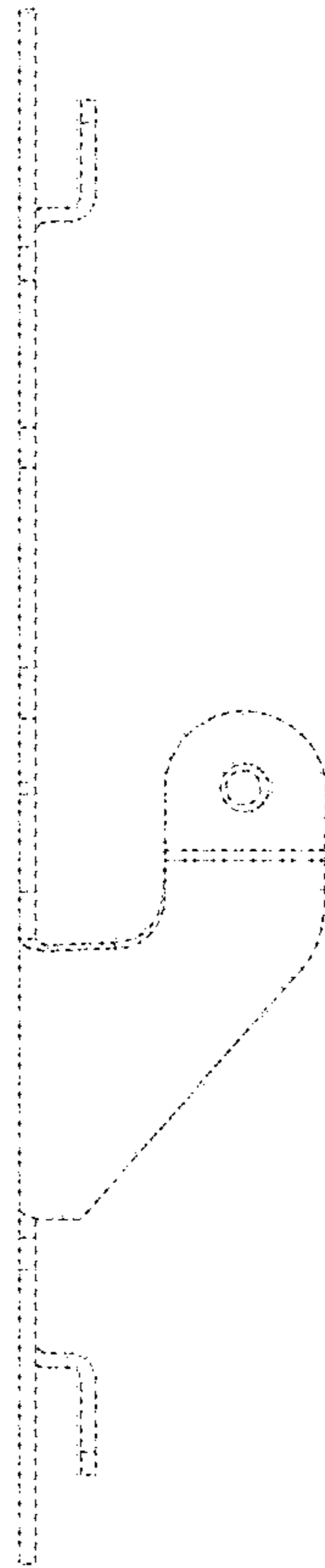


FIG. 13