



US00D841714S

(12) **United States Design Patent**
Yuan

(10) **Patent No.:** **US D841,714 S**

(45) **Date of Patent:** **** Feb. 26, 2019**

(54) **ASTRONOMICAL TELESCOPE**

D297,646 S * 9/1988 Hilko D16/132
D375,507 S * 11/1996 Hsu D16/130
6,940,642 B2 * 9/2005 Shen G02B 23/16
359/399

(71) Applicant: **CHIFEN TECHNOLOGY LTD.,**
Northamptonshire (GB)

(72) Inventor: **Wong Andrew Shi Yuan,**
Northamptonshire (GB)

(73) Assignee: **CHIFEN TECHNOLOGY LTD.,**
Northamptonshire (GB)

(**) Term: **15 Years**

(21) Appl. No.: **29/585,277**

(22) Filed: **Nov. 22, 2016**

(30) **Foreign Application Priority Data**

May 23, 2016 (CN) 2016 3 0194587

(51) **LOC (11) Cl.** **16-06**

(52) **U.S. Cl.**
USPC **D16/132**

(58) **Field of Classification Search**
USPC D16/131, 132, 130, 242, 244, 245
CPC G02B 1/00; G02B 23/00
See application file for complete search history.

(56) **References Cited**

U.S. PATENT DOCUMENTS

3,147,553 A * 9/1964 Cogswell F16M 11/126
248/183.4
D264,856 S * 6/1982 Nottingham D16/132

* cited by examiner

Primary Examiner — John Windmuller

Assistant Examiner — Benjamin M Weeks

(74) *Attorney, Agent, or Firm* — Hauptman Ham, LLP

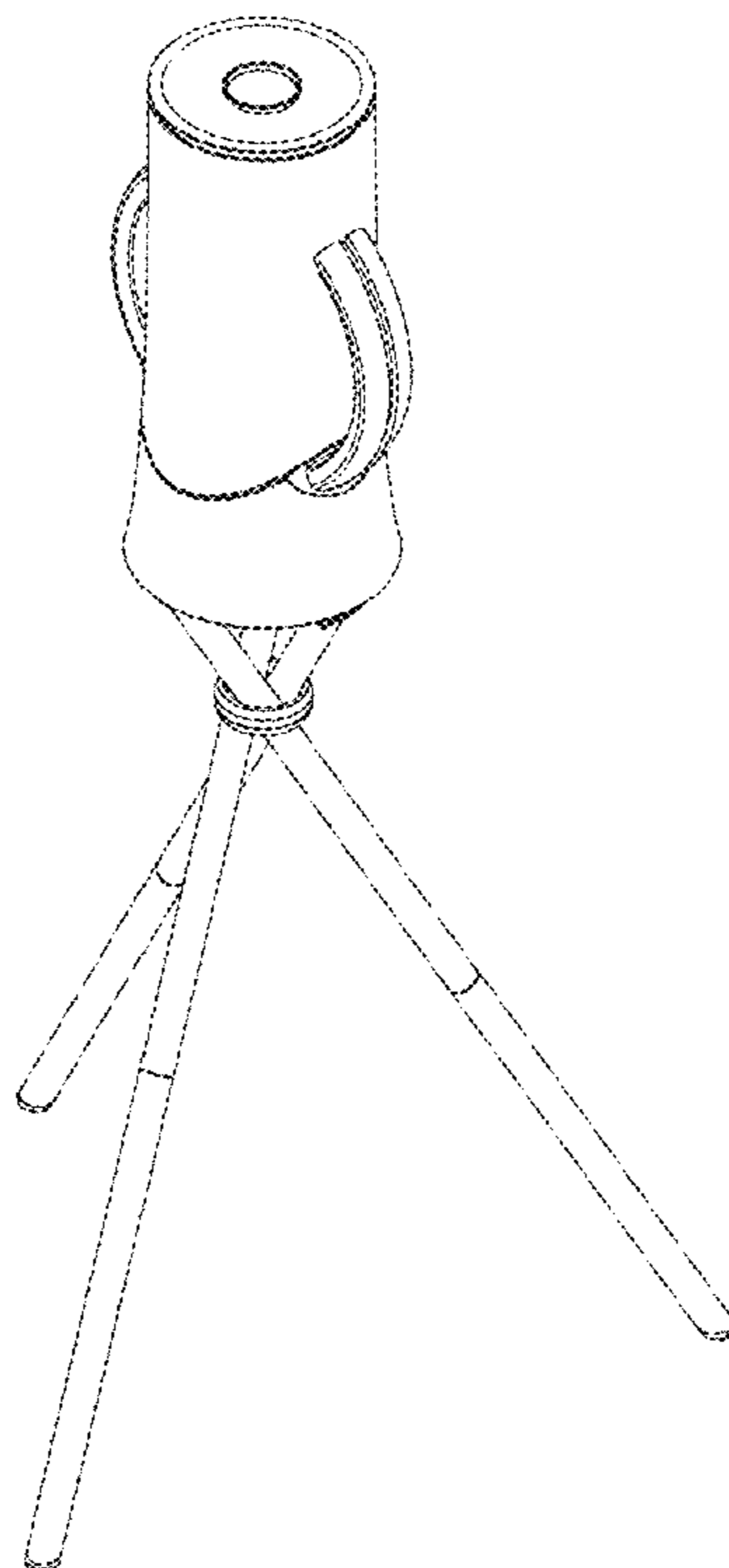
(57) **CLAIM**

The ornamental design for an astronomical telescope, as shown and described.

DESCRIPTION

FIG. 1 is an isometric view of the astronomical telescope; FIG. 2 is a back view thereof; FIG. 3 is a bottom view thereof; FIG. 4 is a front view thereof; FIG. 5 is a left view thereof; FIG. 6 is a right view thereof; and, FIG. 7 is a top view thereof. The broken lines illustrate portions of the astronomical telescope and form no part of the claimed design.

1 Claim, 7 Drawing Sheets



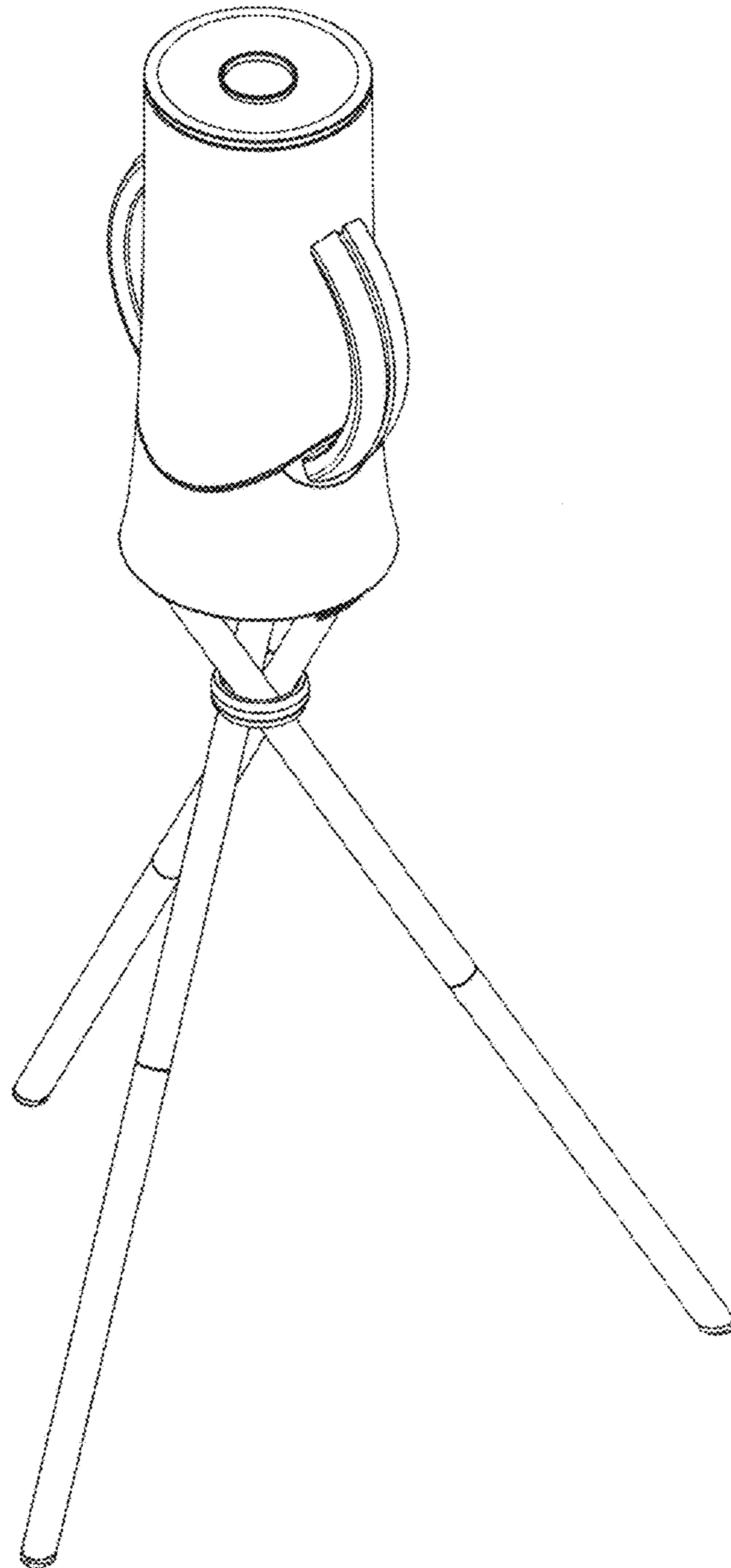


FIG. 1

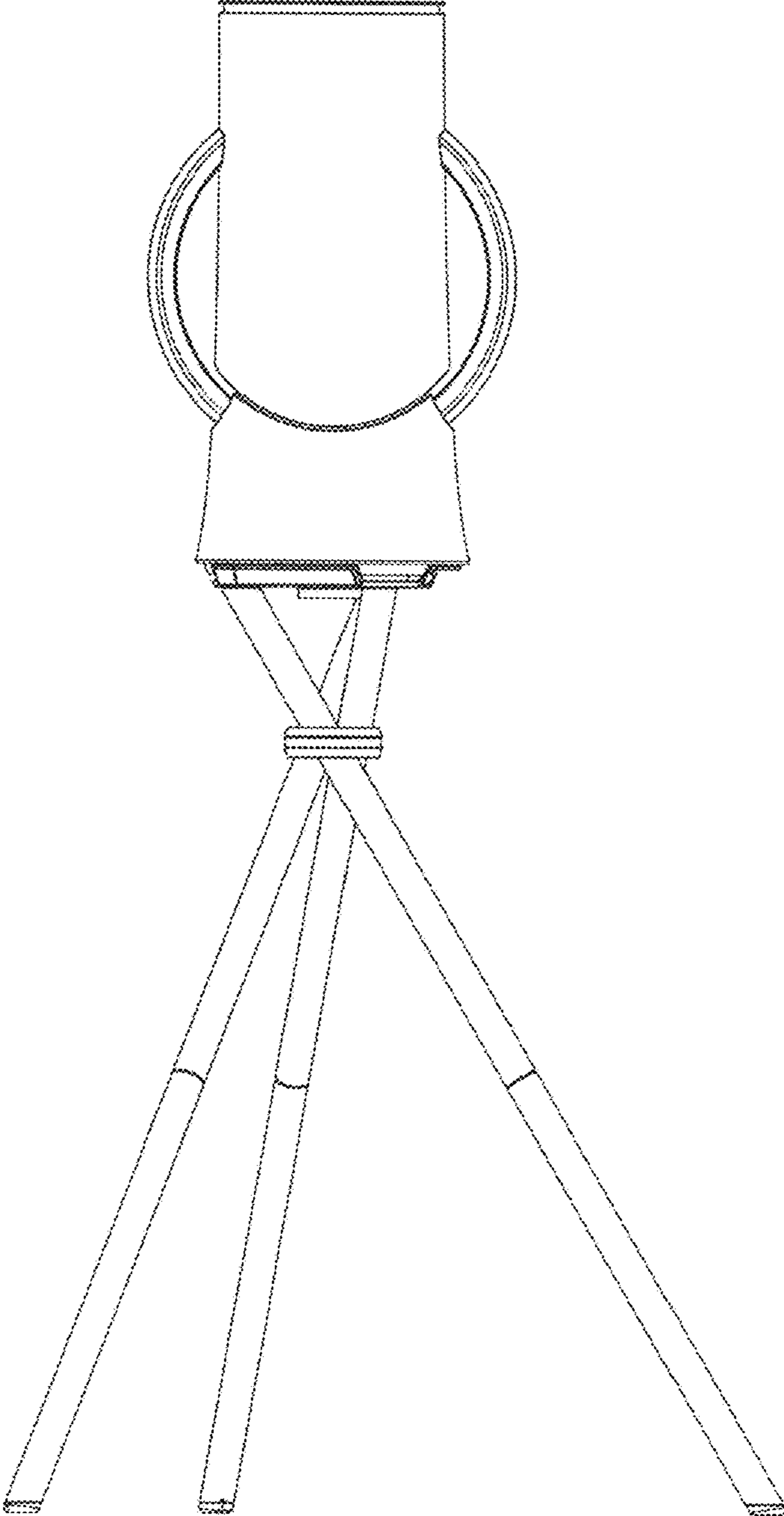


FIG. 2

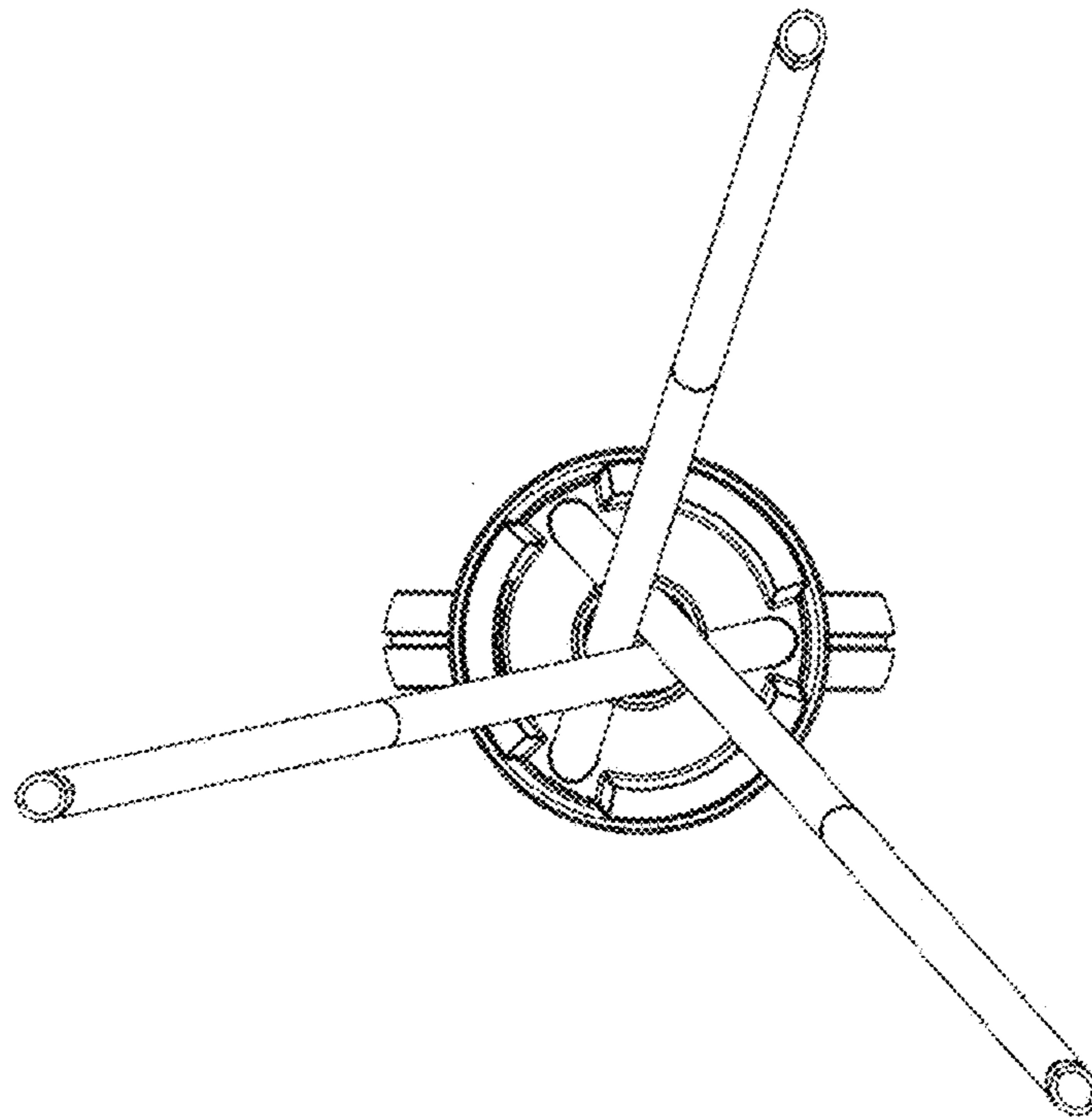


FIG. 3

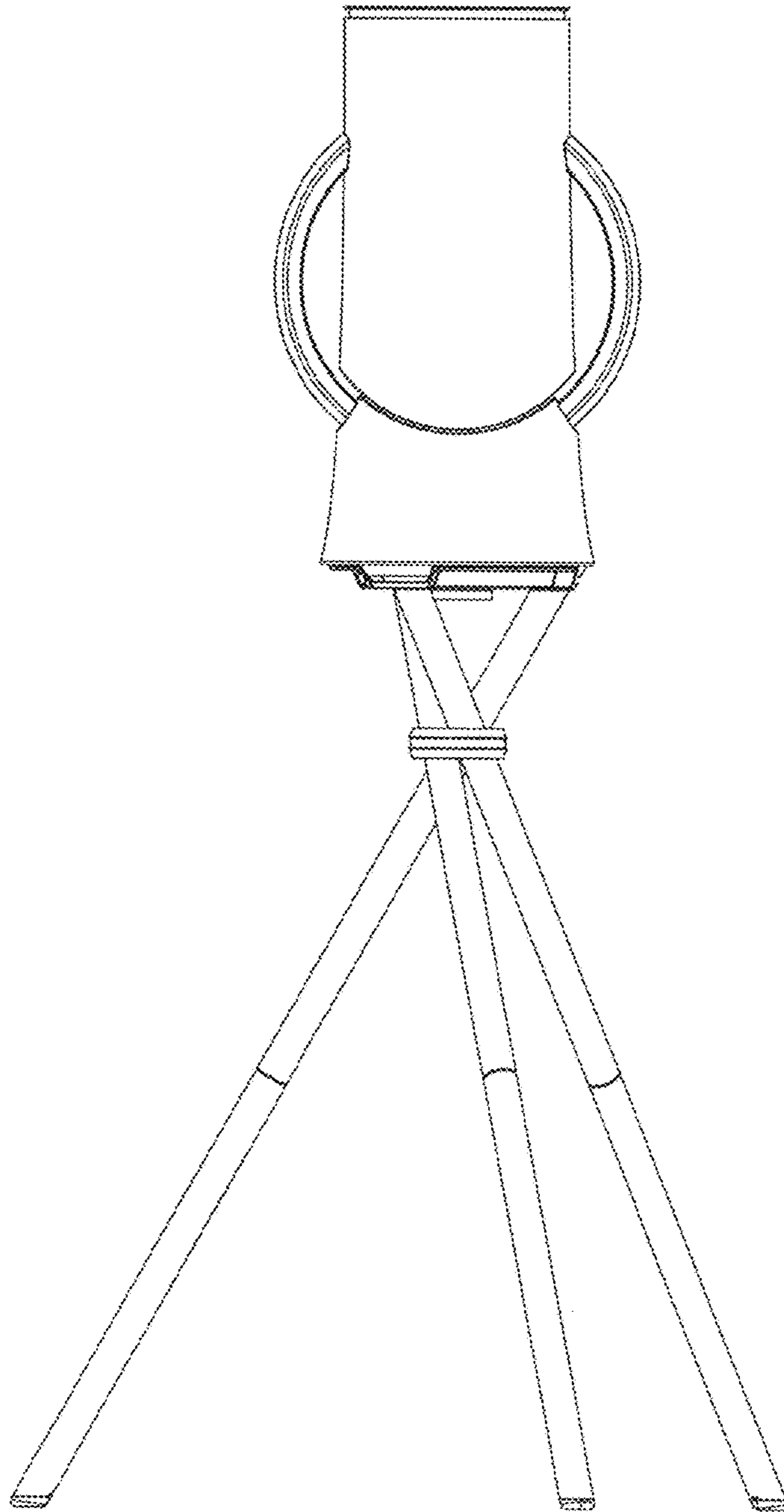


FIG. 4

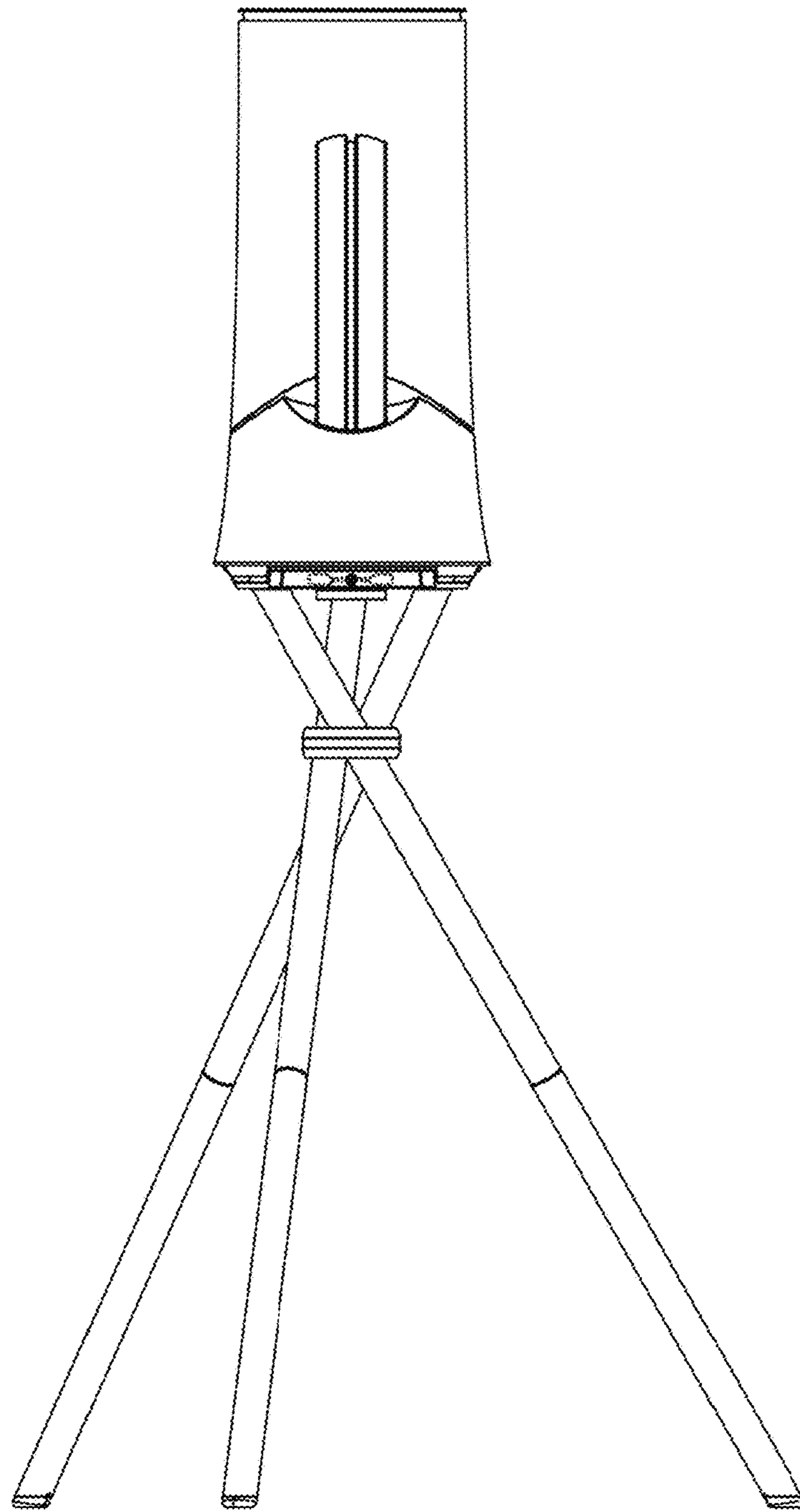


FIG. 5

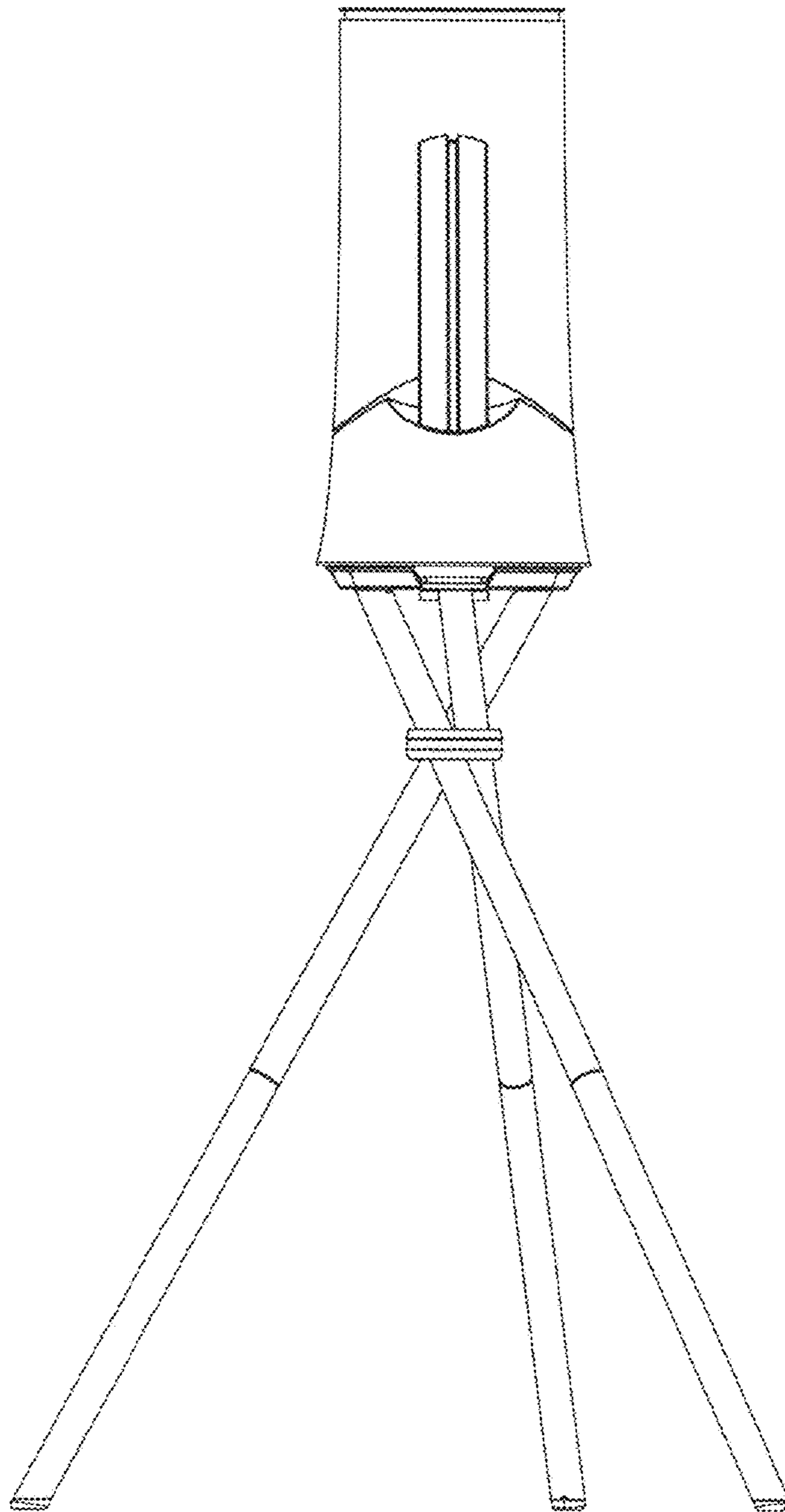


FIG. 6

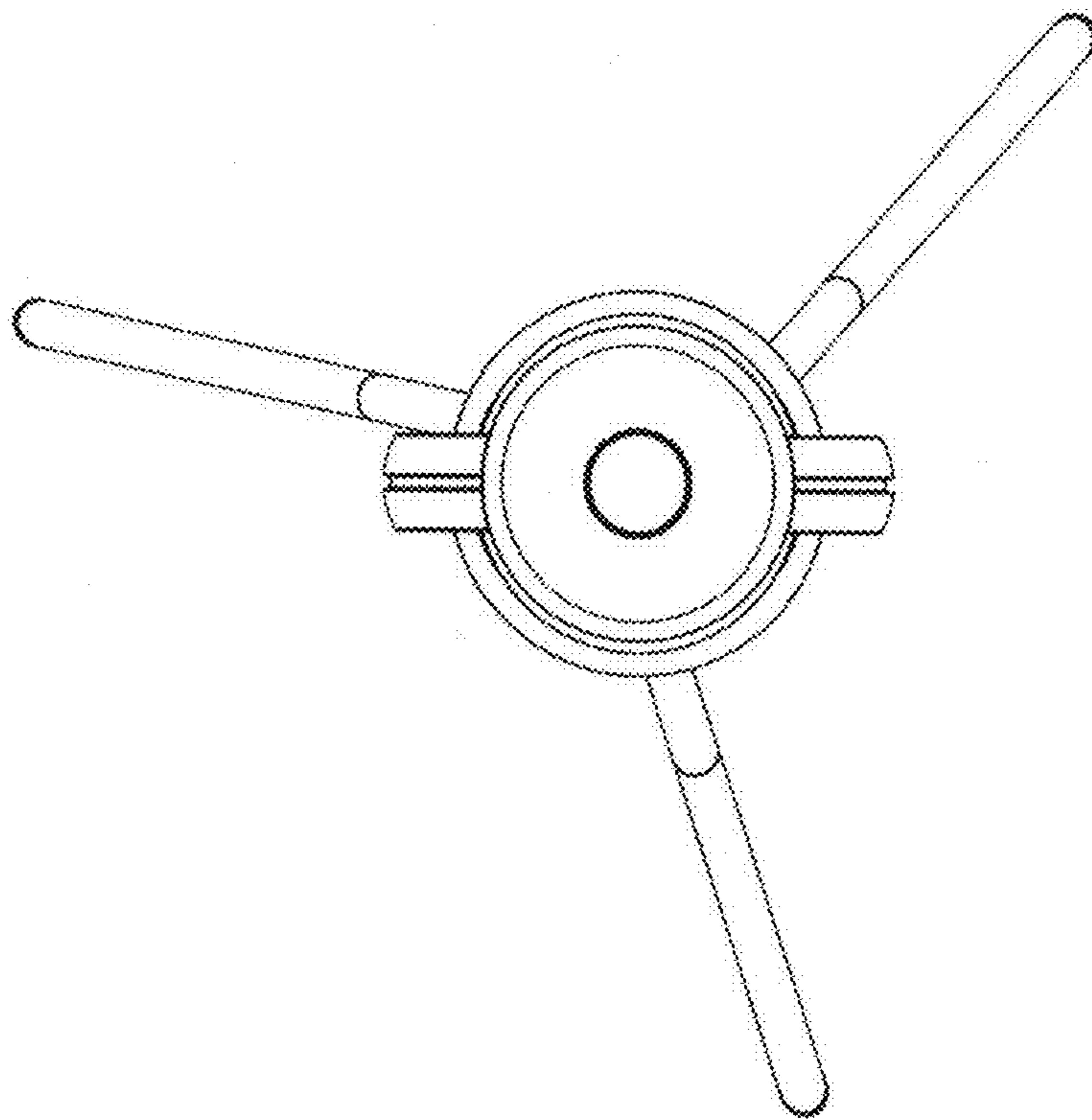


FIG. 7