



US00D841713S

(12) **United States Design Patent**  
**Miyashita**

(10) **Patent No.:** **US D841,713 S**

(45) **Date of Patent:** **\*\* Feb. 26, 2019**

(54) **ALIGNING UNIT FOR INDUSTRIAL ROBOT ARM**

(71) Applicant: **KOGANEI CORPORATION**, Tokyo (JP)

(72) Inventor: **Takeshi Miyashita**, Koganei (JP)

(73) Assignee: **Koganei Corporation**, Tokyo (JP)

(\*\*) Term: **15 Years**

(21) Appl. No.: **35/503,676**

(22) Filed: **Mar. 15, 2017**

(80) **Hague Agreement Data**

Int. Filing Date: **Mar. 15, 2017**

Int. Reg. No.: **DM/095838**

Int. Reg. Date: **Mar. 15, 2017**

Int. Reg. Pub. Date: **Sep. 15, 2017**

(30) **Foreign Application Priority Data**

Oct. 4, 2016 (JP) ..... 2016-21558

Oct. 4, 2016 (JP) ..... 2016-21559

(51) **LOC (11) Cl.** ..... **15-99**

(52) **U.S. Cl.**

USPC ..... **D15/199**

CPC ..... **F04D 29/10** (2013.01)

(58) **Field of Classification Search**

USPC ..... D15/138, 143, 199

CPC ..... F04D 29/10; F04D 29/043; F04D 29/049;

F04D 29/053; F04D 29/059

See application file for complete search history.

(56) **References Cited**

**U.S. PATENT DOCUMENTS**

D304,834 S \* 11/1989 Habicht ..... D15/148

D313,650 S \* 1/1991 Odegaard ..... D23/386

D479,541 S *	9/2003	Lannoch	.....	D15/148
D540,348 S *	4/2007	Chu	.....	D15/7
D541,816 S *	5/2007	Puls	.....	D15/7
D638,454 S *	5/2011	Torii	.....	D15/143
D673,196 S *	12/2012	von Hafen	.....	D15/148
D673,197 S *	12/2012	von Hafen	.....	D15/148
D733,779 S *	7/2015	Ebner	.....	D15/148
D740,867 S *	10/2015	Barta	.....	D15/148
D769,952 S *	10/2016	Andersson	.....	D15/148
D775,252 S *	12/2016	Shentu	.....	D15/149
D779,390 S *	2/2017	Shentu	.....	D12/133
D779,391 S *	2/2017	Shentu	.....	D12/133
D789,432 S *	6/2017	Tokuda	.....	D15/148
D790,616 S *	6/2017	Tokuda	.....	D15/148
D790,617 S *	6/2017	Tokuda	.....	D15/148
D824,967 S *	8/2018	Getto	.....	D15/143
D829,792 S *	10/2018	Matsutou	.....	D15/148
D832,325 S *	10/2018	Matsuto	.....	D15/148
2009/0096149 A1 *	4/2009	Miyashita	.....	B25B 5/087 269/49

\* cited by examiner

*Primary Examiner* — Richard E Chilcot

(74) *Attorney, Agent, or Firm* — McCormick, Paulding & Huber LLP

(57) **CLAIM**

The ornamental design for an aligning unit for industrial robot arm, as shown and described.

**DESCRIPTION**

1. Aligning unit for industrial robot arm

1.1 : Perspective

1.2 : Perspective

1.3 : Front

1.4 : Back

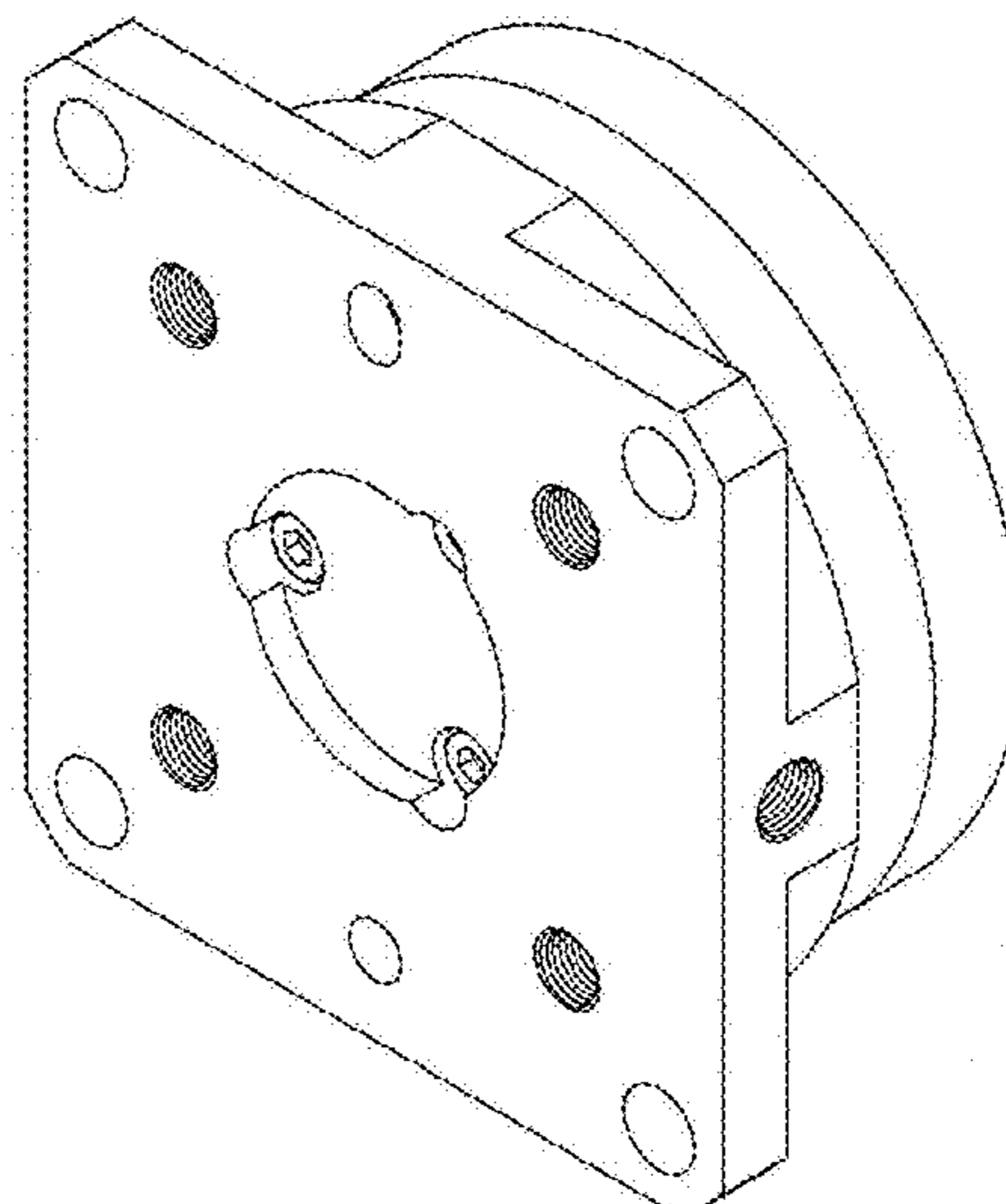
1.5 : Top

1.6 : Bottom

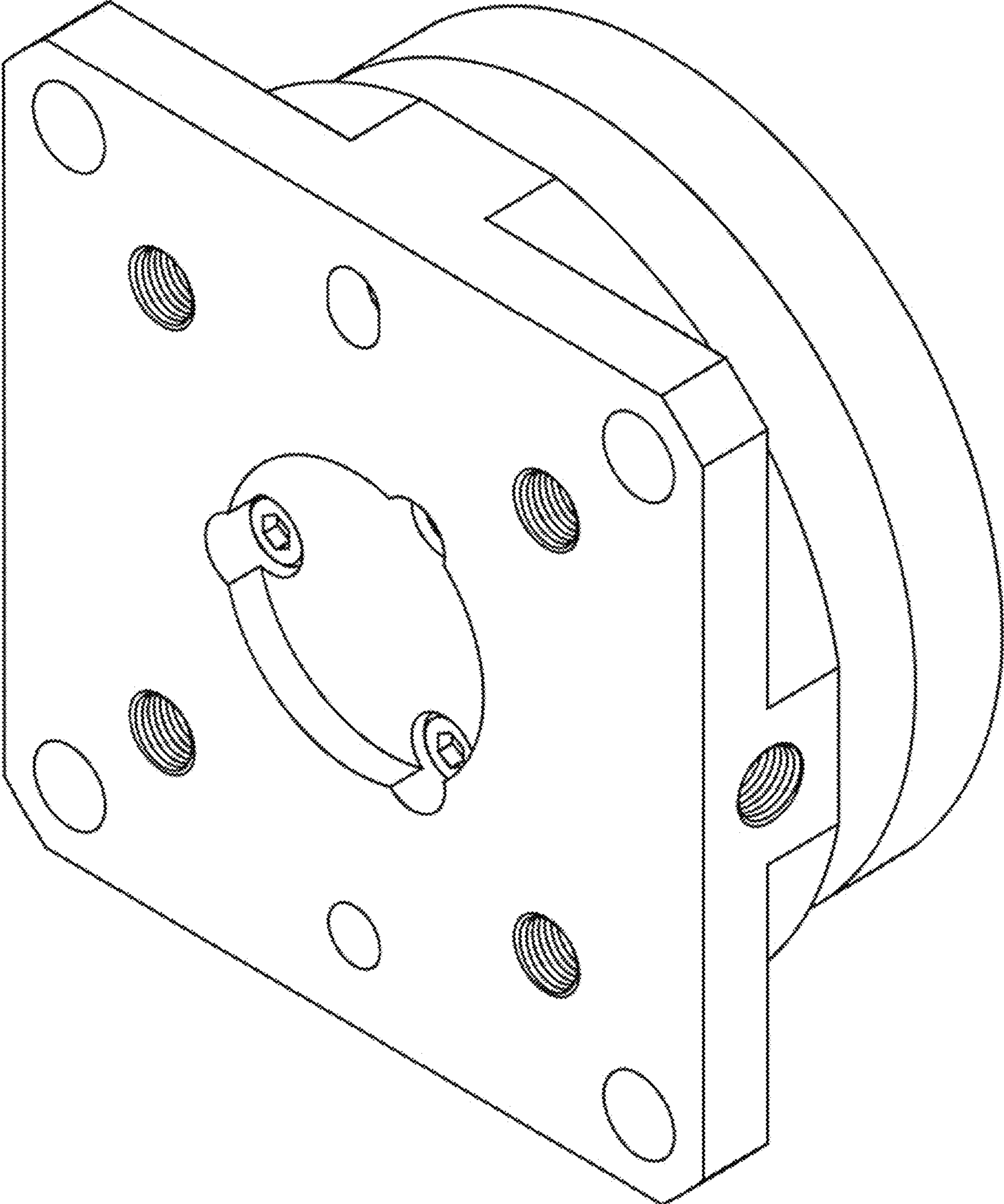
1.7 : Right

1.8 : Left

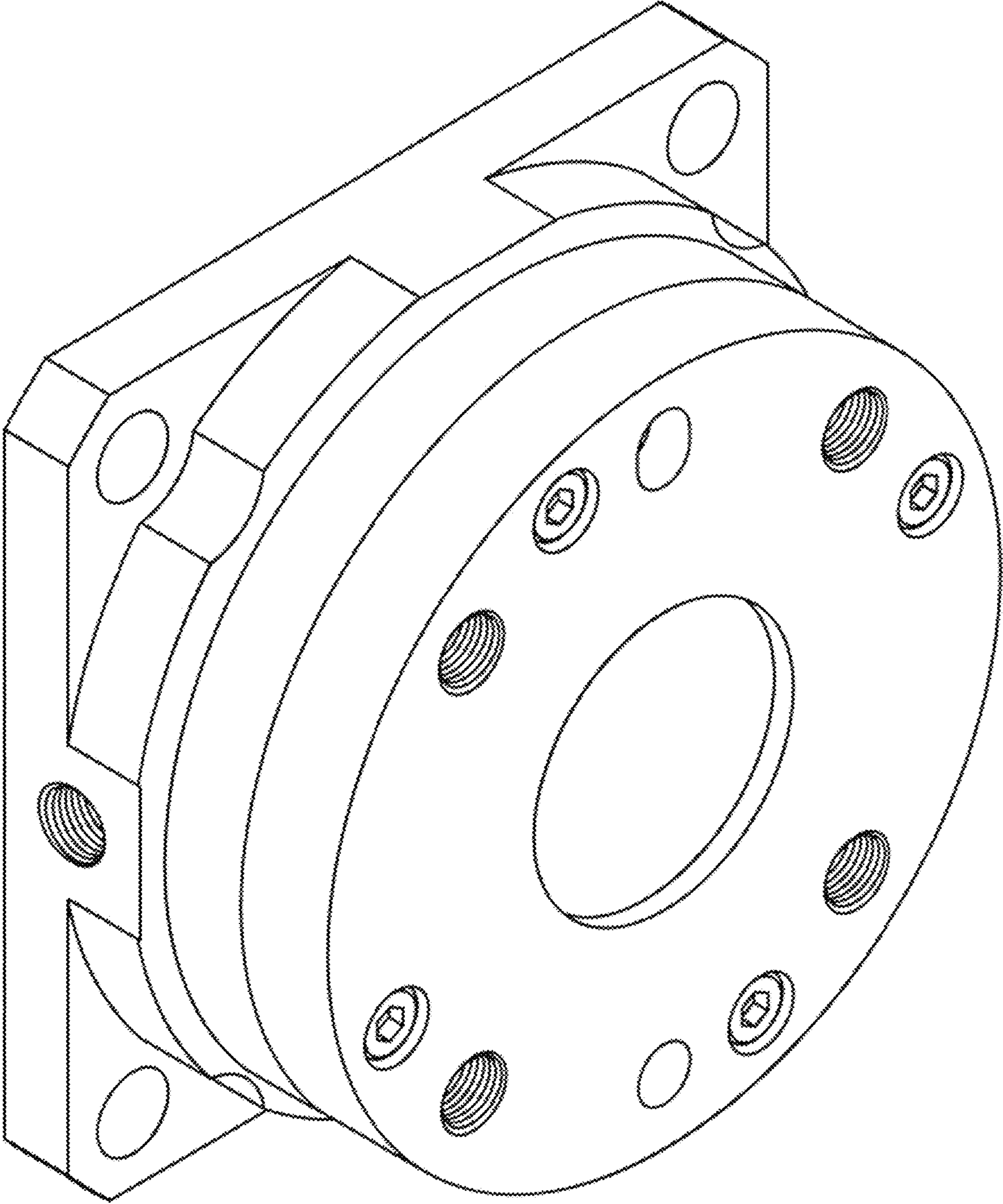
**1 Claim, 8 Drawing Sheets**



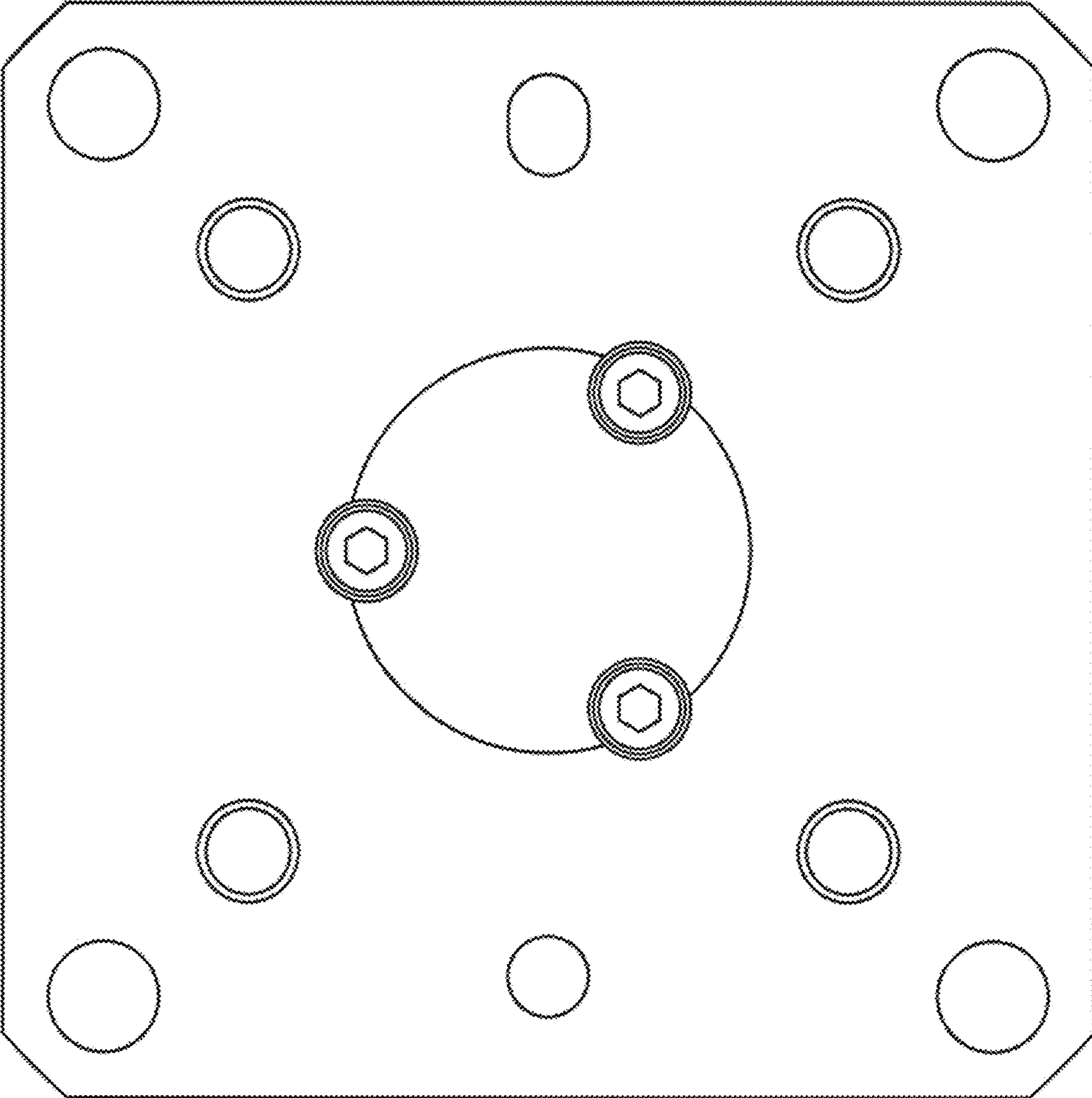
1.1



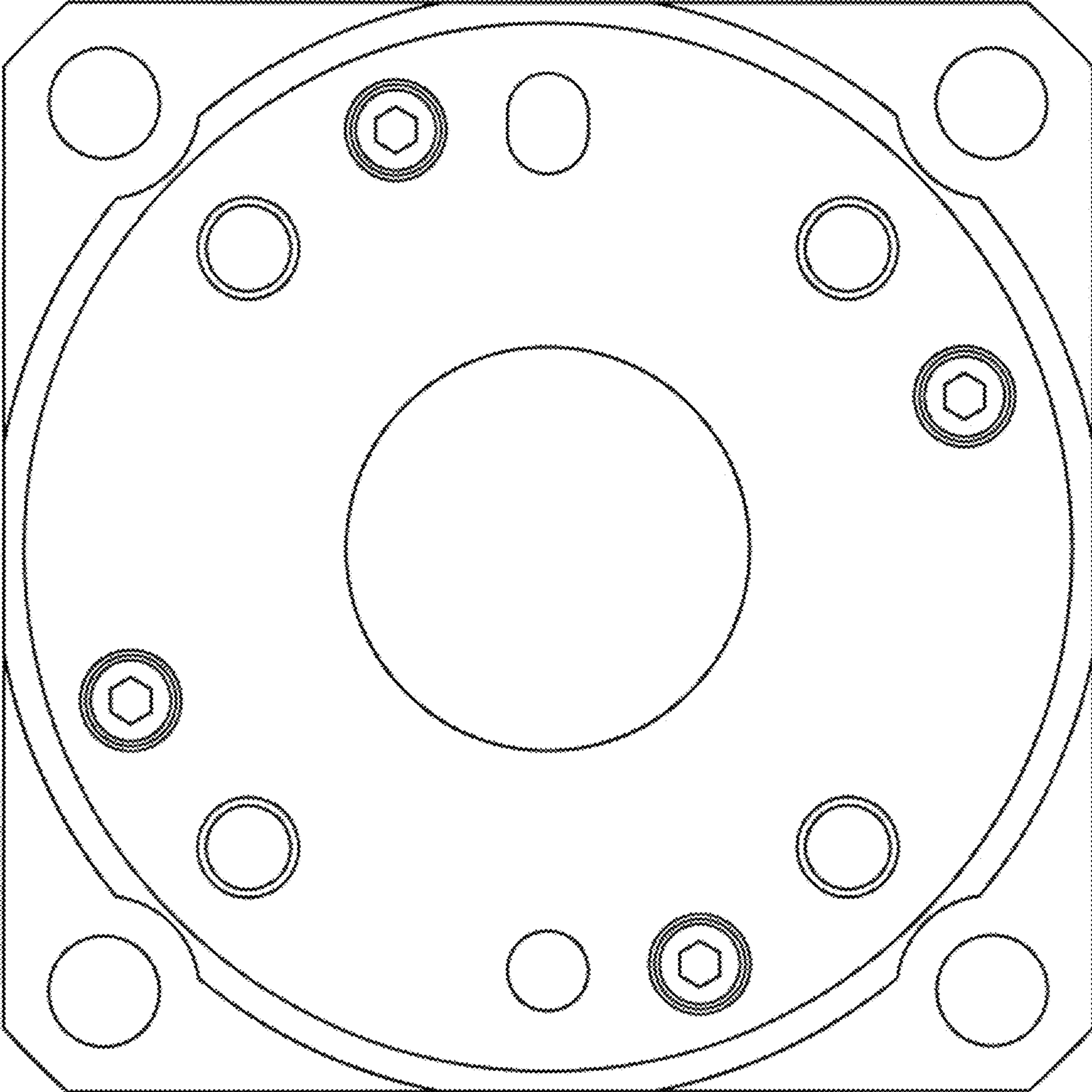
1.2



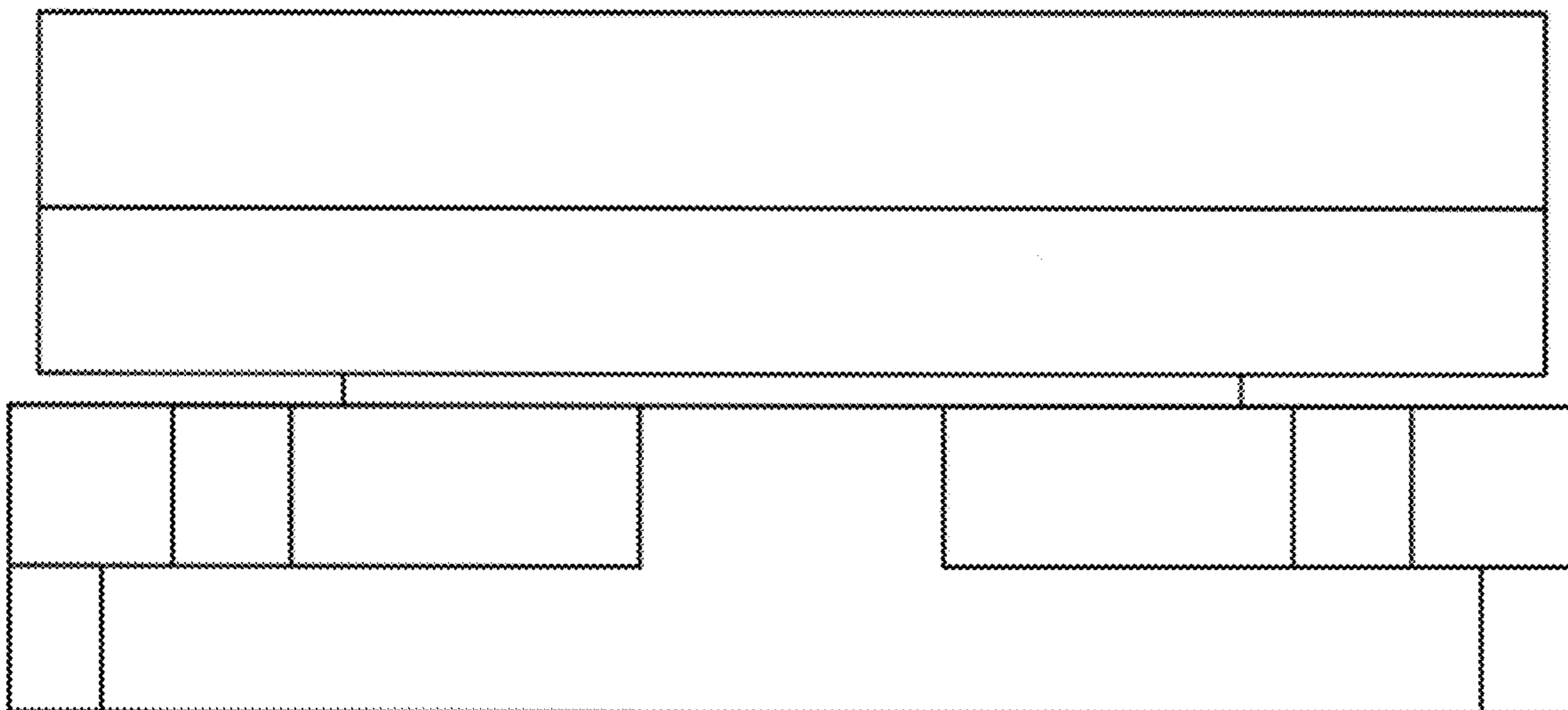
1.3



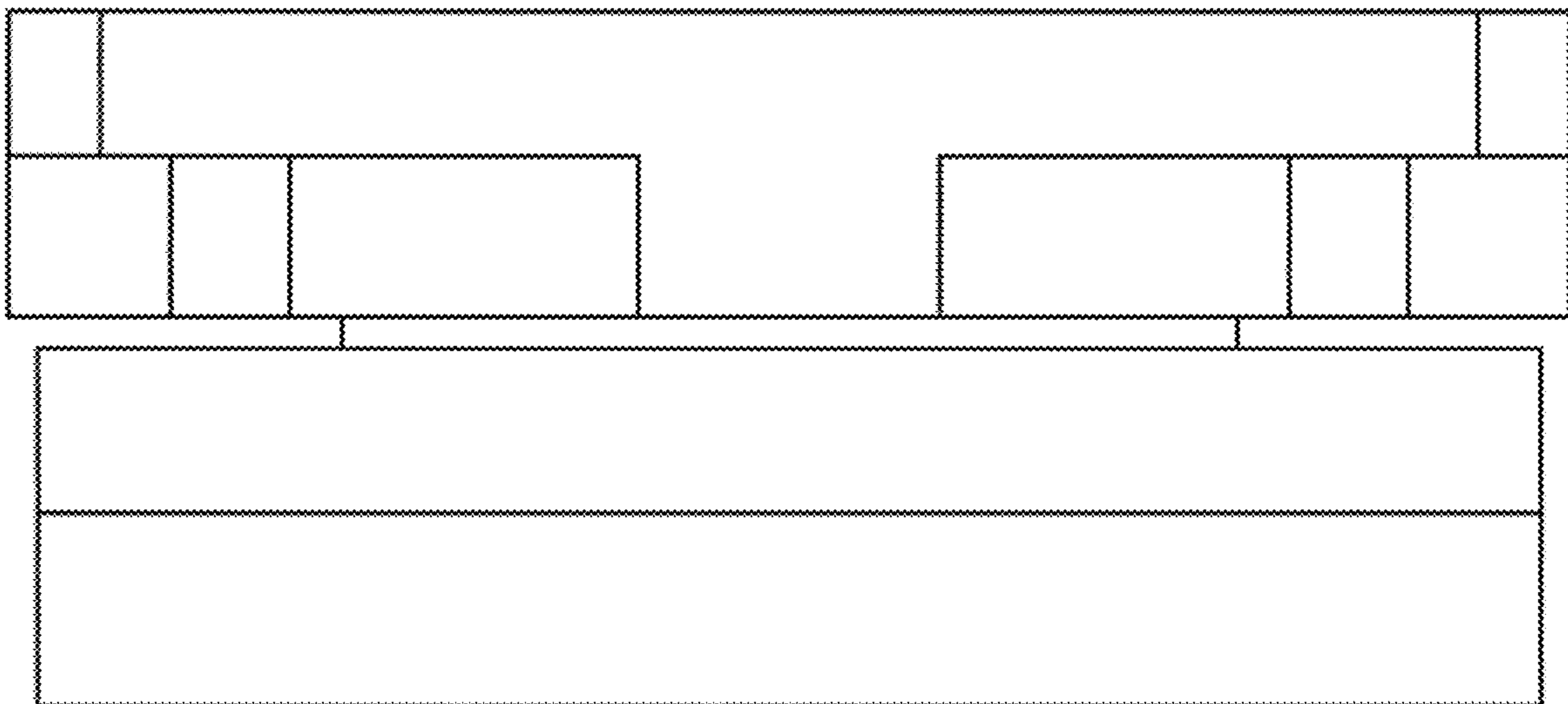
1.4



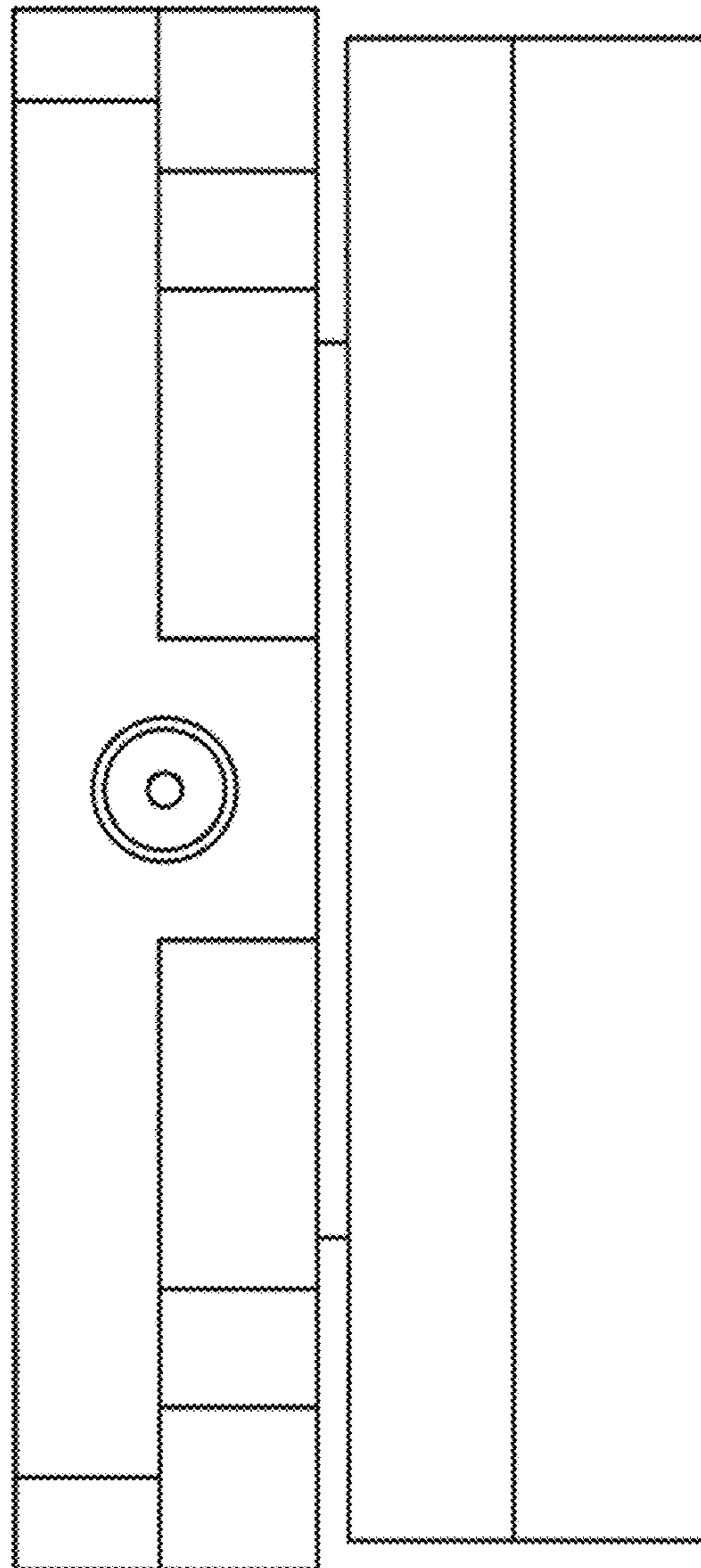
1.5



1.6



1.7





1.8

