

US00D841711S

(12) **United States Design Patent** (10) **Patent No.:** **US D841,711 S**  
**Liu** (45) **Date of Patent:** **\*\* Feb. 26, 2019**

(54) **HOUSEHOLD ROBOT**  
(71) Applicant: **Shenzhen GLI Technology Limited**,  
Shenzhen, Guangdong OT (CN)  
(72) Inventor: **Jonathan Yang Liu**, Shenzhen (CN)  
(73) Assignee: **SHENZHEN GLI TECHNOLOGY LIMITED**, Shenzhen (CN)  
(\*\*) Term: **15 Years**  
(21) Appl. No.: **29/629,528**  
(22) Filed: **Dec. 13, 2017**  
(30) **Foreign Application Priority Data**  
Aug. 29, 2017 (CN) ..... 2017 3 0403781.3  
(51) **LOC (11) Cl.** ..... **15-99**  
(52) **U.S. Cl.**  
USPC ..... **D15/199**  
(58) **Field of Classification Search**  
USPC ..... D15/199; D21/578-583, 621, 622  
CPC .. A47L 9/2826; A47L 9/2852; A47L 2201/06;  
B25J 5/007; B60B 19/006; B62D 57/024;  
H01F 7/0221; Y10S 901/01  
See application file for complete search history.

D727,867 S \* 4/2015 Chao ..... D14/130  
D741,389 S \* 10/2015 Park ..... D16/203  
D778,218 S \* 2/2017 Okazaki ..... D12/174  
D803,765 S \* 11/2017 Bei ..... D12/533  
D810,167 S \* 2/2018 Yang ..... D15/199  
D812,329 S \* 3/2018 Nam ..... D32/21  
D816,119 S \* 4/2018 Pu ..... D15/1  
D817,375 S \* 5/2018 Deyle ..... D15/199  
D819,712 S \* 6/2018 Gee ..... D15/199  
D820,334 S \* 6/2018 Lee ..... D15/199  
D822,736 S \* 7/2018 Kato ..... D15/199  
D825,632 S \* 8/2018 Clemmer ..... D15/199  
D829,250 S \* 9/2018 Zilbershtein ..... D15/199  
2012/0102665 A1 \* 5/2012 Hui ..... E04H 4/1654  
15/1.7  
2015/0314453 A1 \* 11/2015 Witelson ..... B25J 11/00  
320/108  
2015/0355638 A1 \* 12/2015 Field ..... G05D 1/0044  
700/254  
2015/0375812 A1 \* 12/2015 Bernini ..... E04H 4/1654  
180/9.1  
2016/0059408 A1 \* 3/2016 Isobe ..... B25J 5/007  
700/253

(Continued)

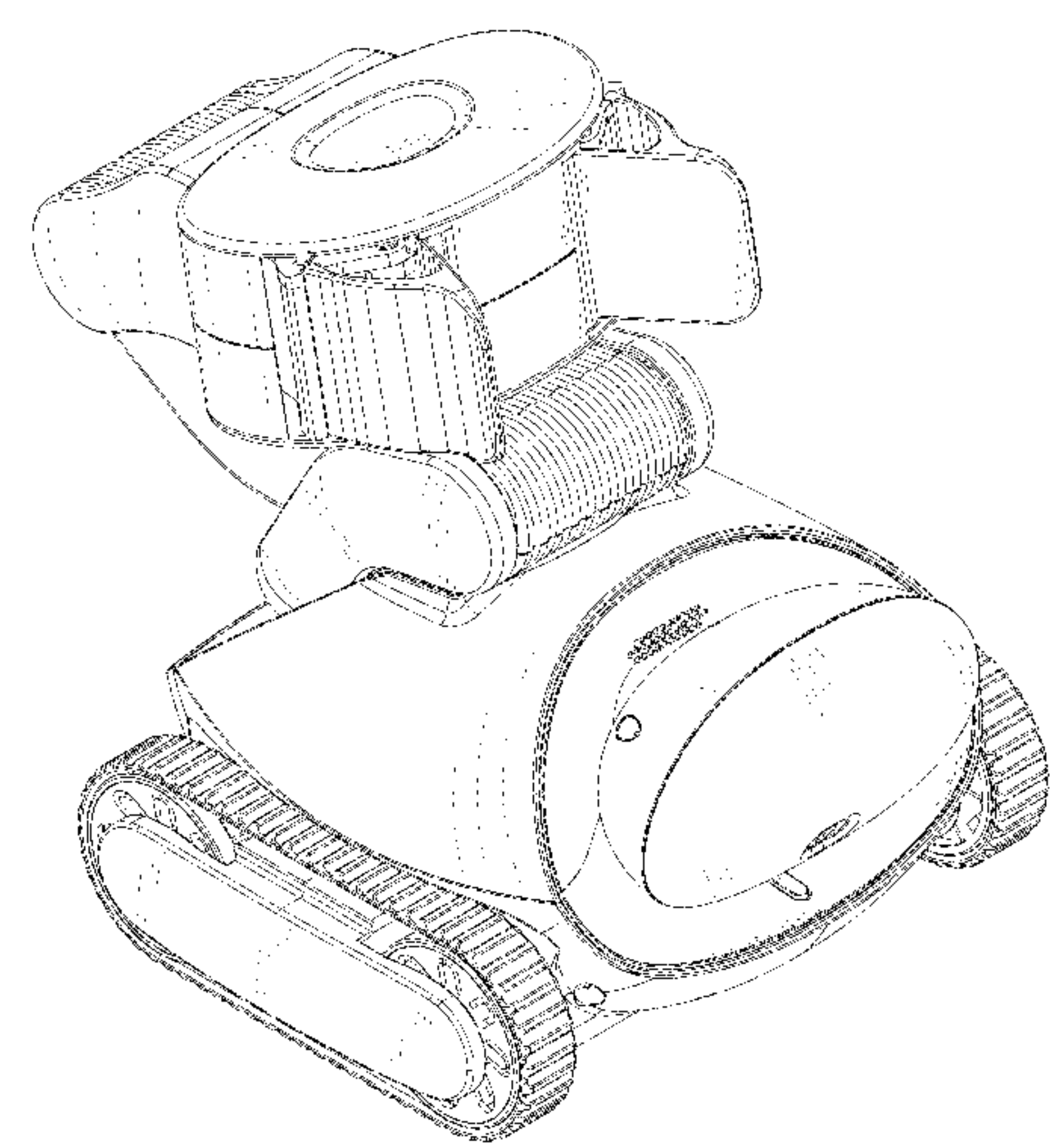
*Primary Examiner* — Patricia A Palasik  
(74) *Attorney, Agent, or Firm* — Loeb & Loeb LLP

(57) **CLAIM**  
The ornamental design for a household robot, as shown and described.

(56) **References Cited**  
U.S. PATENT DOCUMENTS  
D410,479 S \* 6/1999 Sawai ..... D16/202  
6,132,287 A \* 10/2000 Kuralt ..... A63H 17/004  
446/431  
D545,721 S \* 7/2007 Hacker ..... D12/1  
D549,756 S \* 8/2007 Park ..... D15/199  
D644,256 S \* 8/2011 Kitano ..... D15/199  
D675,656 S \* 2/2013 Sutherland ..... D15/199  
D691,675 S \* 10/2013 Kim ..... D21/533  
D712,447 S \* 9/2014 He ..... D15/199  
D719,621 S \* 12/2014 Song ..... D21/578

**DESCRIPTION**  
FIG. 1 is a perspective view of a household robot my new design;  
FIG. 2 is a front elevational view thereof;  
FIG. 3 is a back devotional view thereof;  
FIG. 4 is a right side elevational view thereof;  
FIG. 5 is a left side elevational view thereof;  
FIG. 6 is a top view thereof; and,  
FIG. 7 is a bottom view thereof.

**1 Claim, 7 Drawing Sheets**



(56)

**References Cited**

U.S. PATENT DOCUMENTS

2016/0229058 A1\* 8/2016 Pinter ..... G06Q 50/22  
2016/0271803 A1\* 9/2016 Stewart ..... B25J 11/0085  
2016/0298350 A1\* 10/2016 Deloche ..... E04H 4/1654  
2017/0065355 A1\* 3/2017 Ross ..... A61B 34/30  
2018/0104829 A1\* 4/2018 Altman ..... B25J 19/005  
2018/0111270 A1\* 4/2018 Hasegawa ..... B25J 9/1633

\* cited by examiner

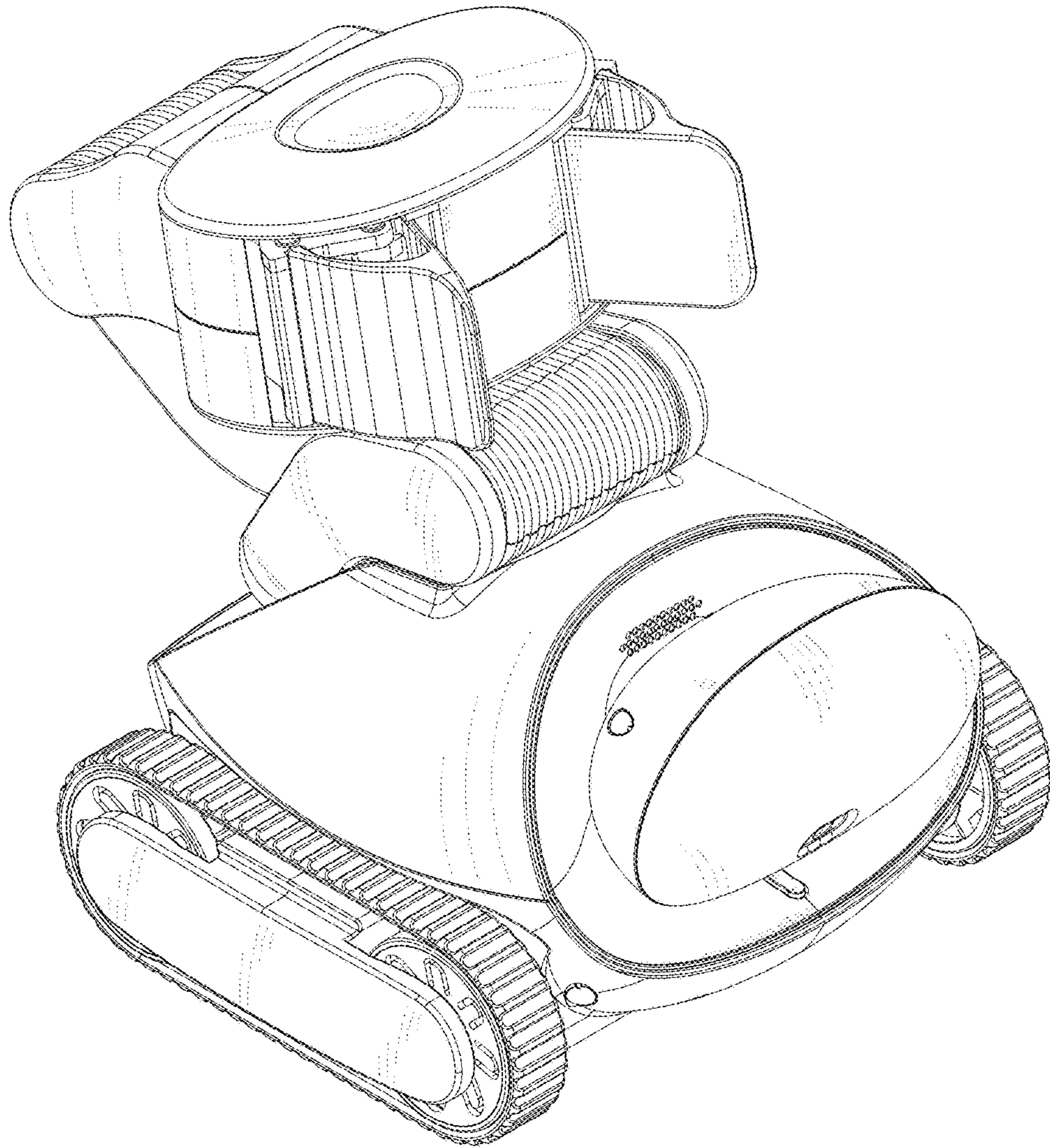


FIG. 1



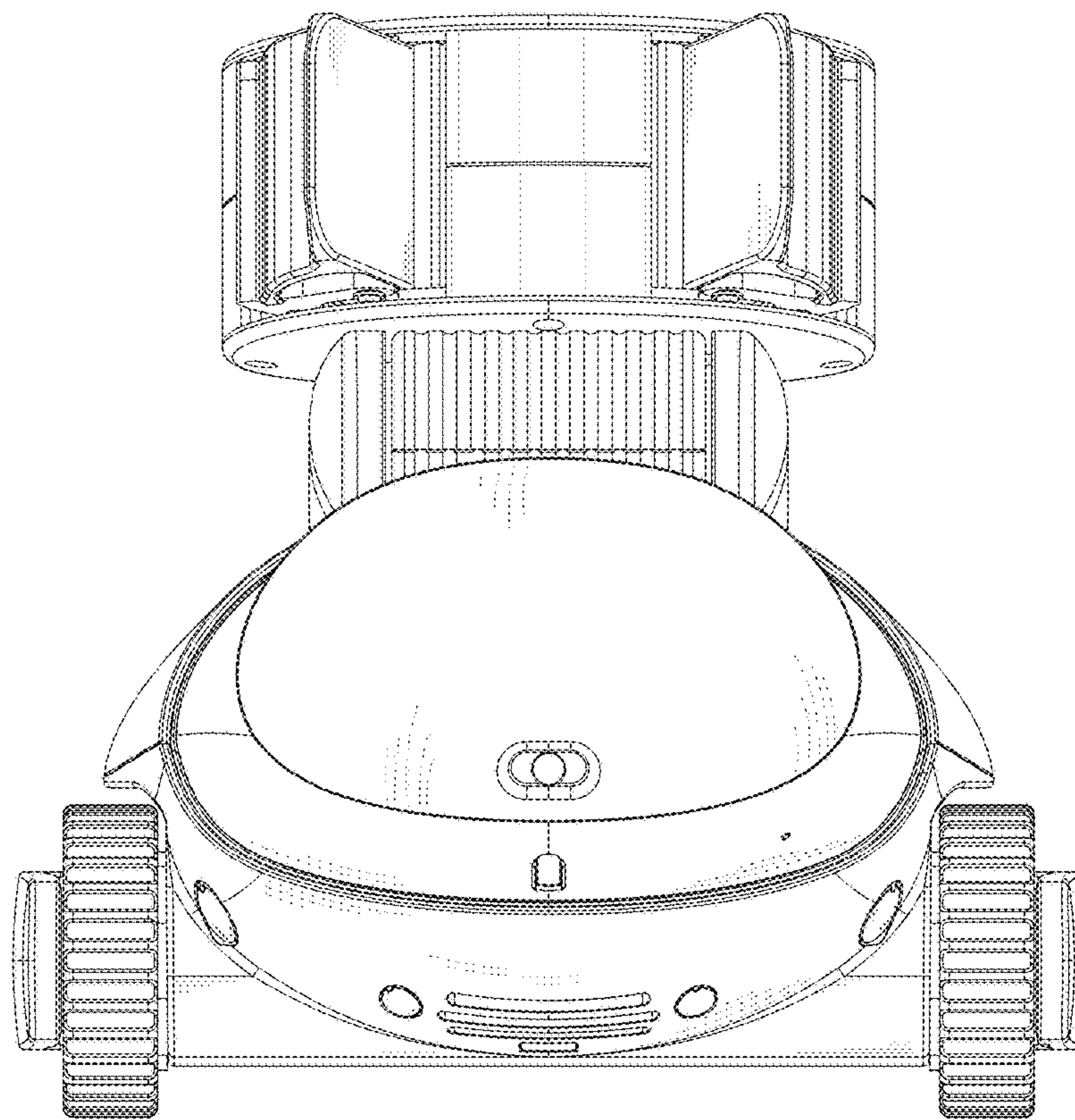


FIG.2

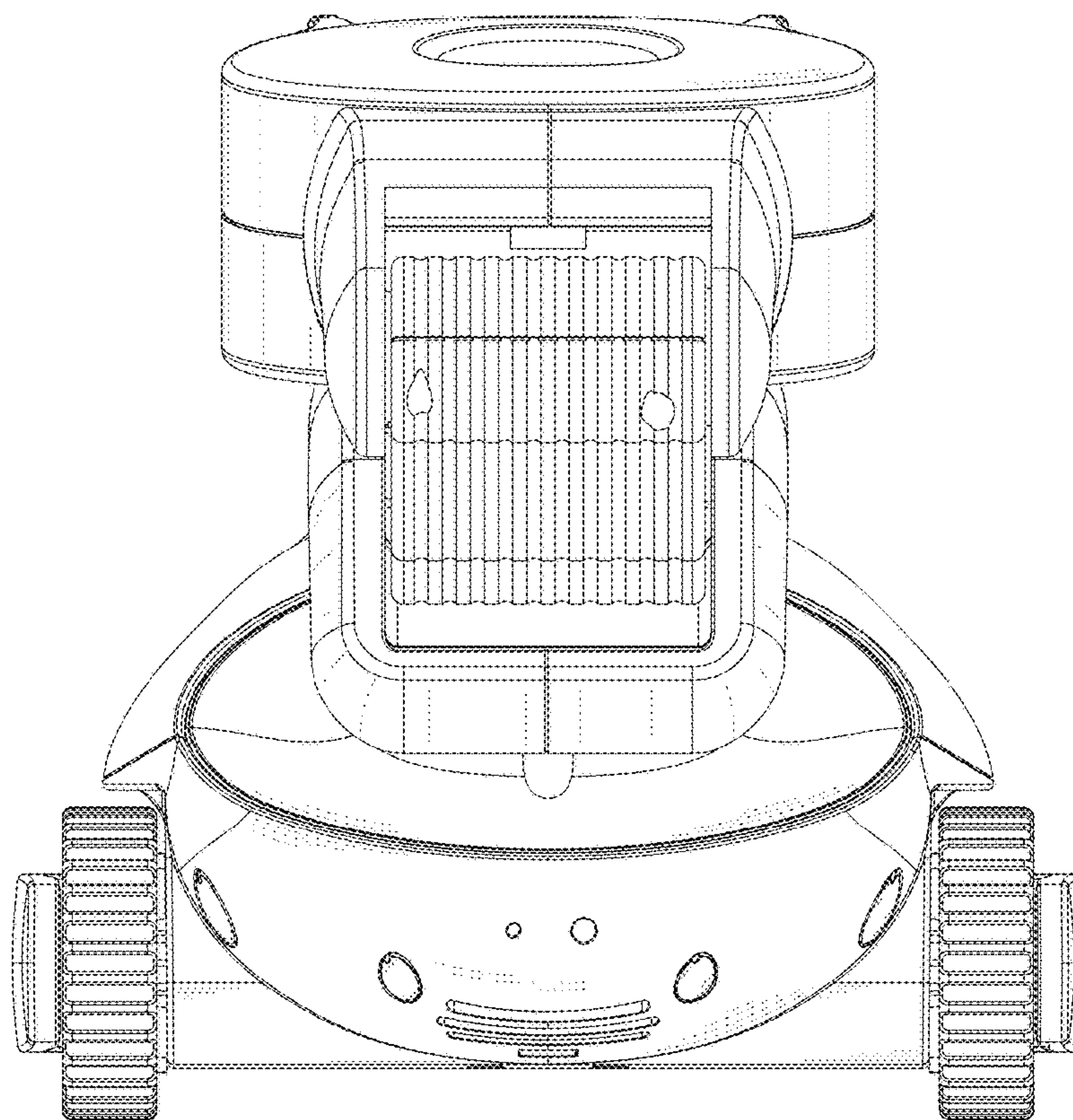


FIG.3

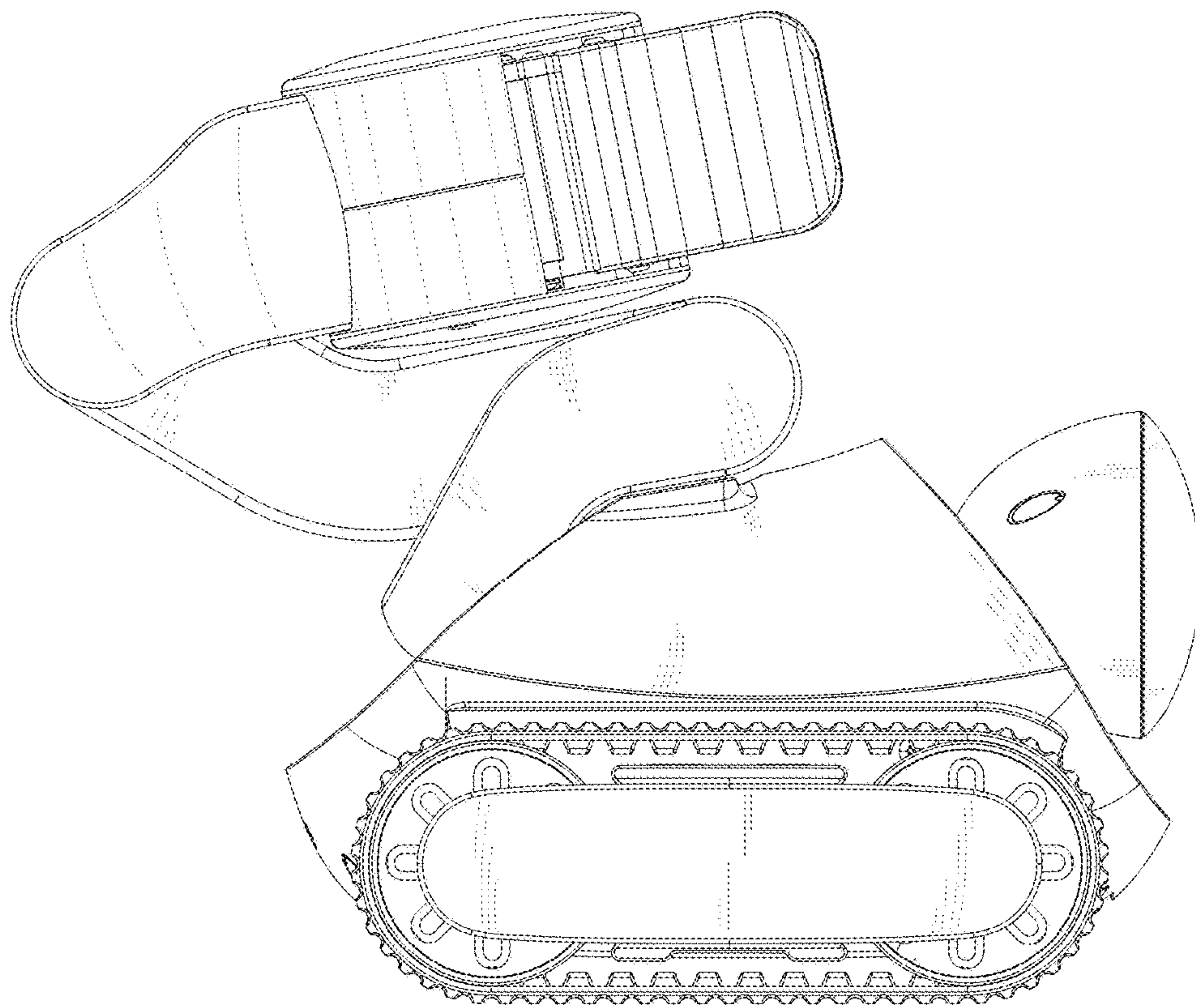


FIG.4

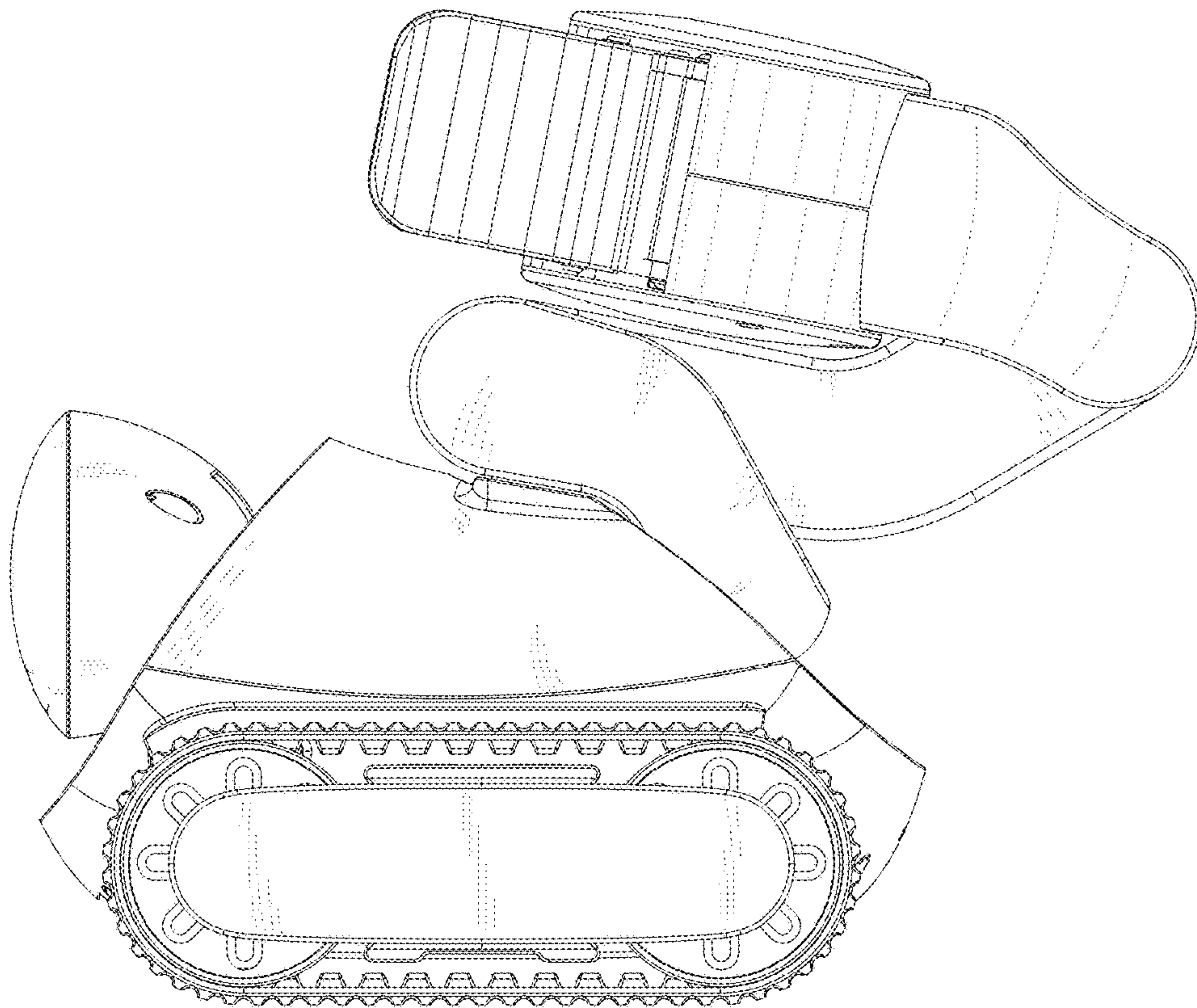


FIG.5



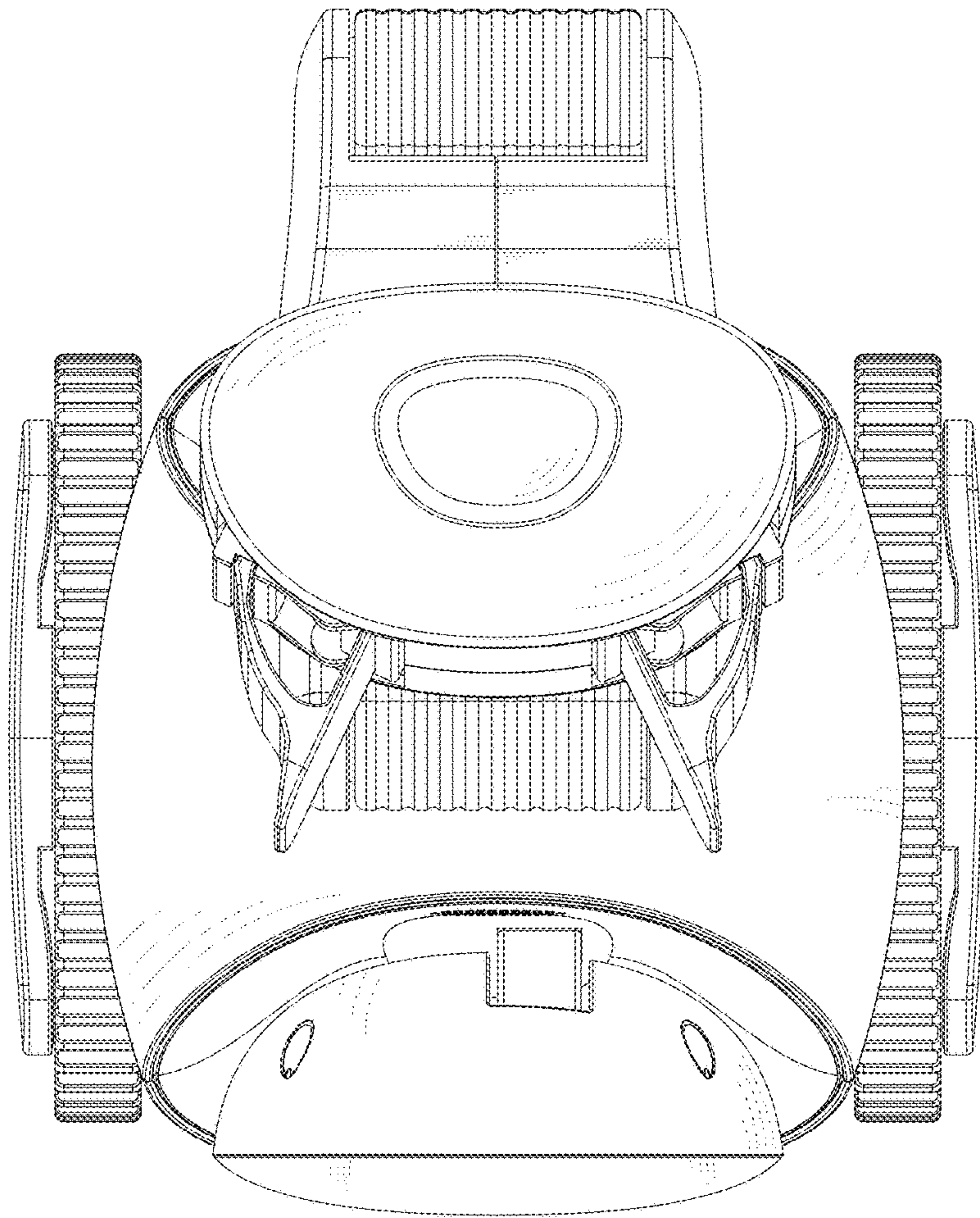


FIG. 6



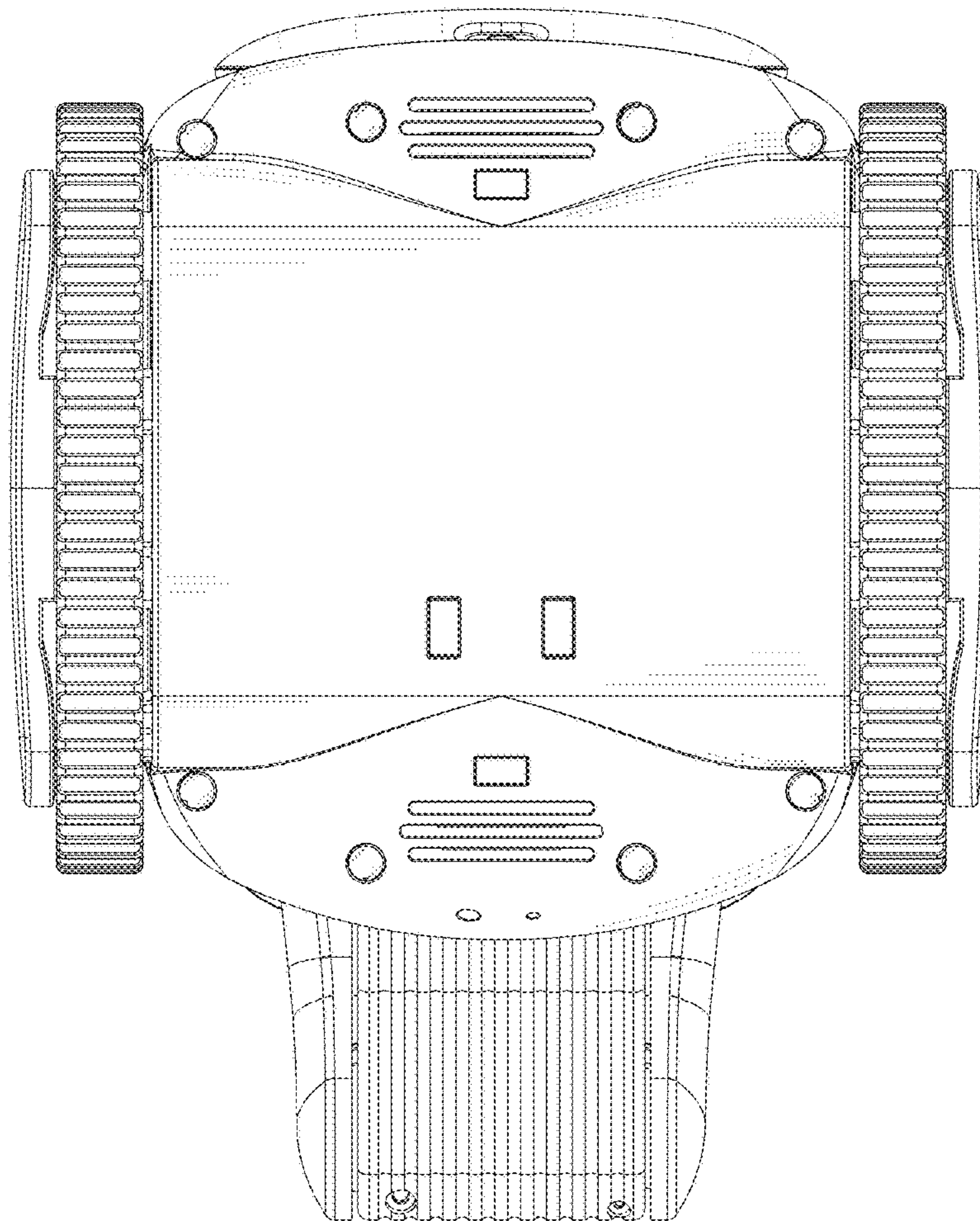


FIG. 7