



US00D841709S

(12) **United States Design Patent**
Koshiishi

(10) **Patent No.:** **US D841,709 S**

(45) **Date of Patent:** **** Feb. 26, 2019**

- (54) **LEG OF A ROBOT**
- (71) Applicant: **HONDA MOTOR CO., LTD.**, Tokyo (JP)
- (72) Inventor: **Takeshi Koshiishi**, Wako (JP)
- (73) Assignee: **HONDA MOTOR CO., LTD.**, Tokyo (JP)
- (**) Term: **15 Years**
- (21) Appl. No.: **29/610,248**
- (22) Filed: **Jul. 11, 2017**
- (30) **Foreign Application Priority Data**
Jan. 12, 2017 (JP) 2017-000338
- (51) **LOC (11) Cl.** **15-99**
- (52) **U.S. Cl.**
USPC **D15/199**
- (58) **Field of Classification Search**
USPC D15/199; D21/578-583, 621, 622
CPC B25J 13/085; B25J 17/0275
See application file for complete search history.

- (56) **References Cited**
U.S. PATENT DOCUMENTS
D453,199 S * 1/2002 Sawai D21/578
D460,131 S * 7/2002 Koshiishi D21/578
D460,503 S * 7/2002 Koshiishi D21/578
6,831,437 B2 * 12/2004 Filo B62D 57/032
318/568.11
6,897,631 B2 * 5/2005 Miyazaki B25J 9/126
180/8.6
6,981,562 B2 * 1/2006 Takahashi B25J 9/08
180/8.6
D541,353 S * 4/2007 Takahashi D21/578

- 7,240,747 B2 * 7/2007 Miyazaki B25J 13/085
180/8.1
- 7,492,115 B2 * 2/2009 Gomi B25J 9/1065
318/568.11
- D593,164 S * 5/2009 Sonoda D21/578
- D677,743 S * 3/2013 Koshiishi D15/199
- 8,387,726 B2 * 3/2013 Miyazaki A63H 11/00
180/8.6
- 9,327,785 B2 * 5/2016 Alfayad B25J 17/0283
- D774,148 S * 12/2016 Hong D21/578
- D794,692 S * 8/2017 Haranaka D15/199
- D795,320 S * 8/2017 Liu D15/199
- 2016/0229058 A1 * 8/2016 Pinter G06Q 50/22
- 2016/0361813 A1 * 12/2016 Fei B25J 9/08

* cited by examiner

Primary Examiner — Patricia A Palasik
(74) *Attorney, Agent, or Firm* — Westerman, Hattori, Daniels & Adrian, LLP

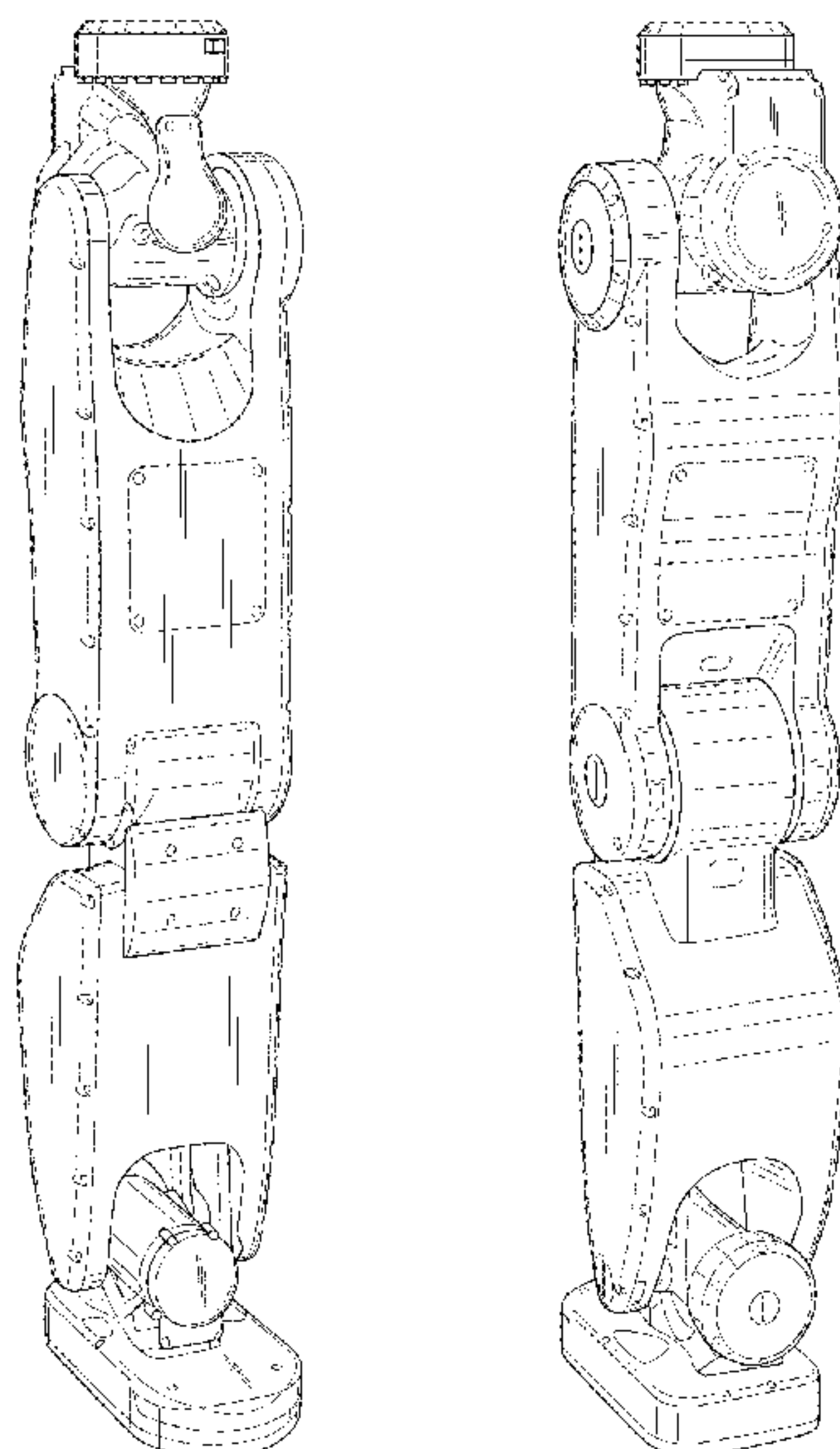
(57) **CLAIM**

The ornamental design for a leg of a robot, as shown and described.

DESCRIPTION

FIG. 1 is a front perspective view of a leg of a robot;
FIG. 2 is a rear perspective view thereof;
FIG. 3 is a front view thereof;
FIG. 4 is a rear view thereof;
FIG. 5 is a top plan view thereof;
FIG. 6 is a bottom view thereof;
FIG. 7 is a left side view thereof;
FIG. 8 is a right side view thereof;
FIG. 9 is a front perspective view thereof; and,
FIG. 10 is a rear perspective view thereof.

1 Claim, 10 Drawing Sheets



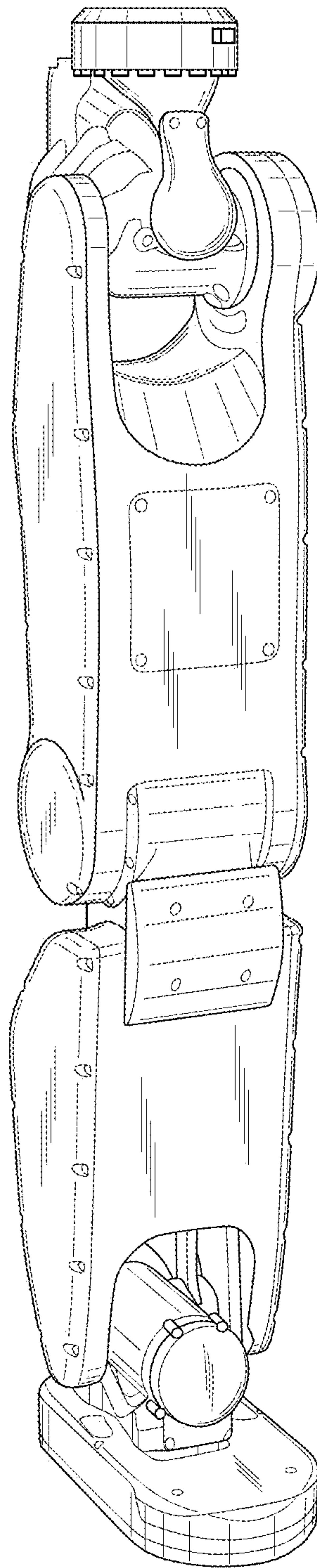


FIG. 1

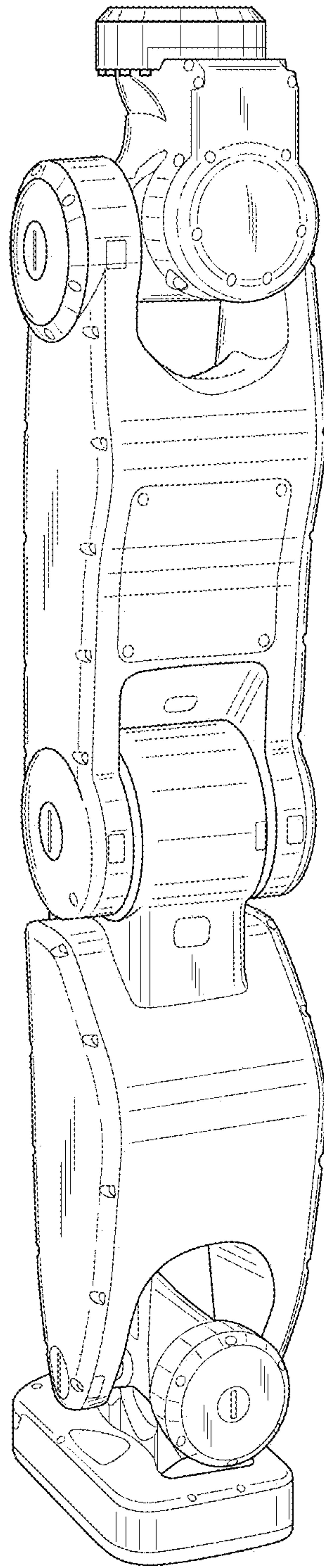


FIG. 2

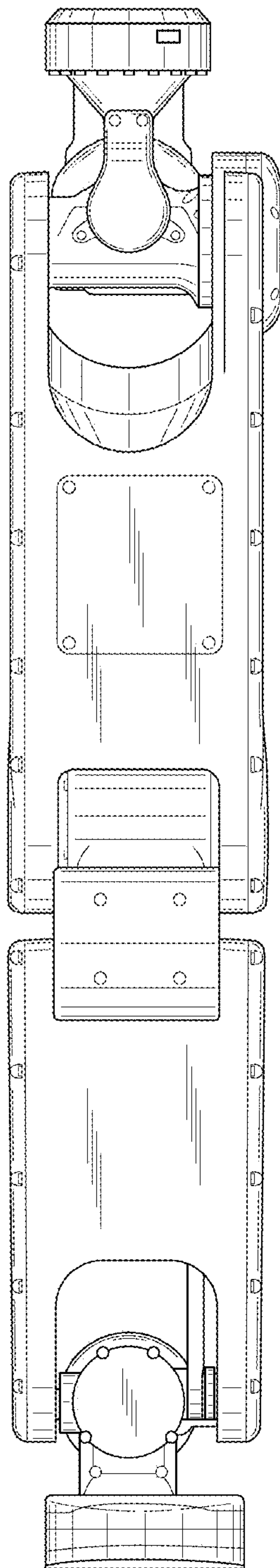


FIG.3

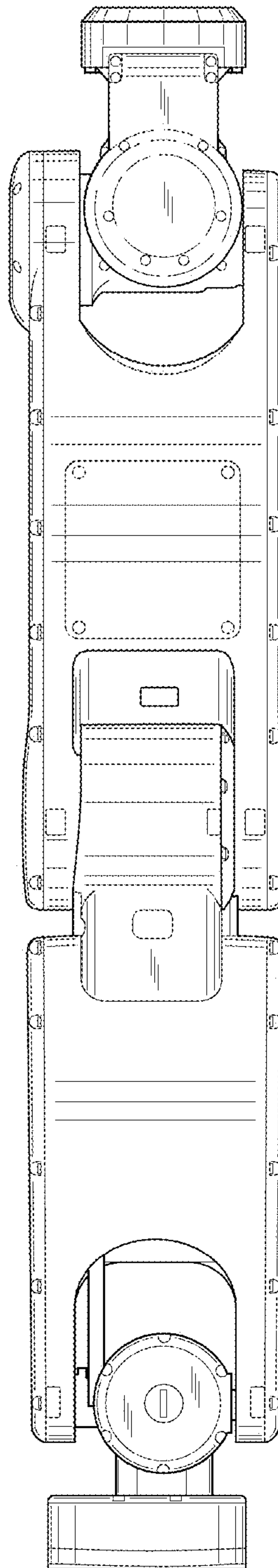


FIG. 4

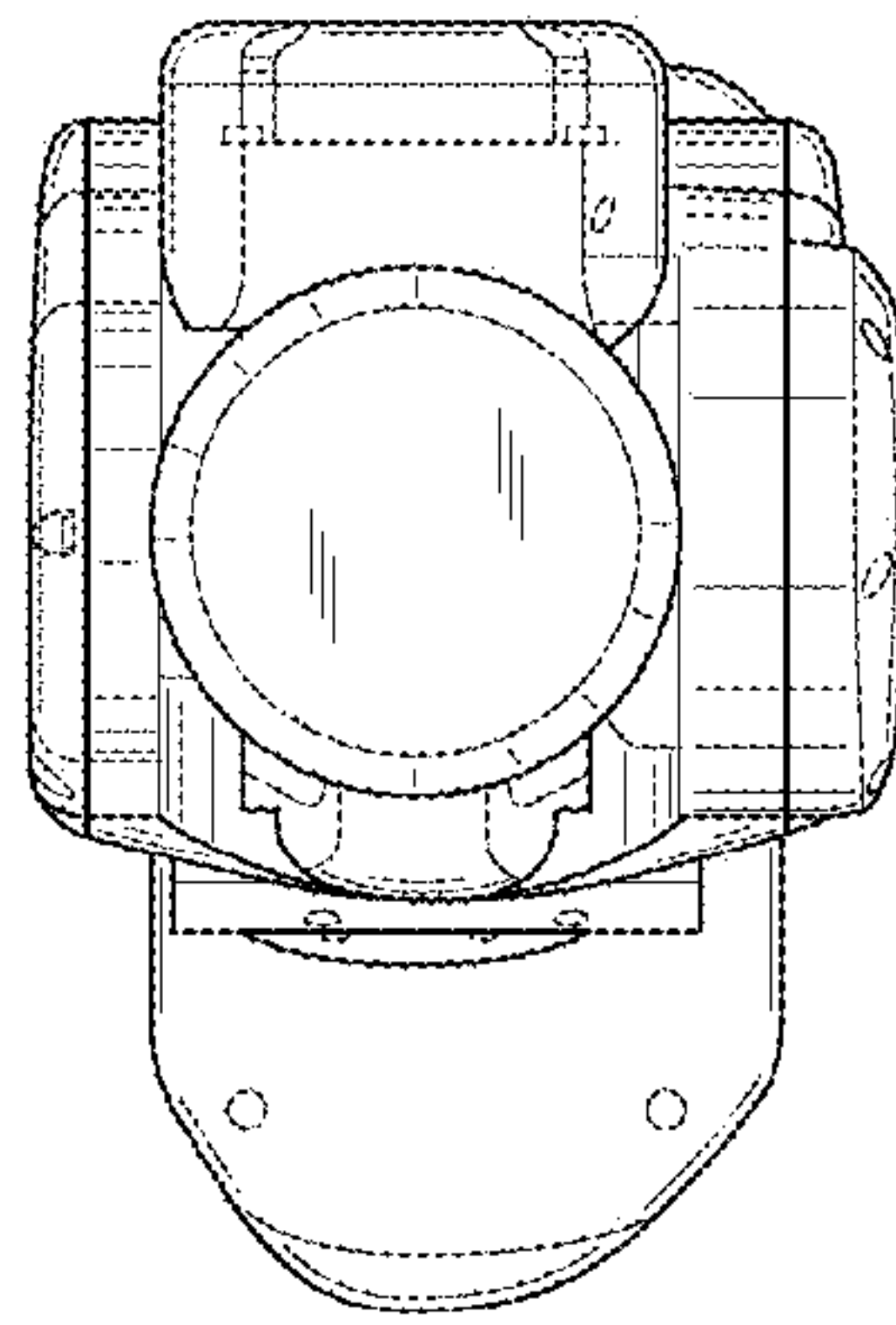


FIG.5

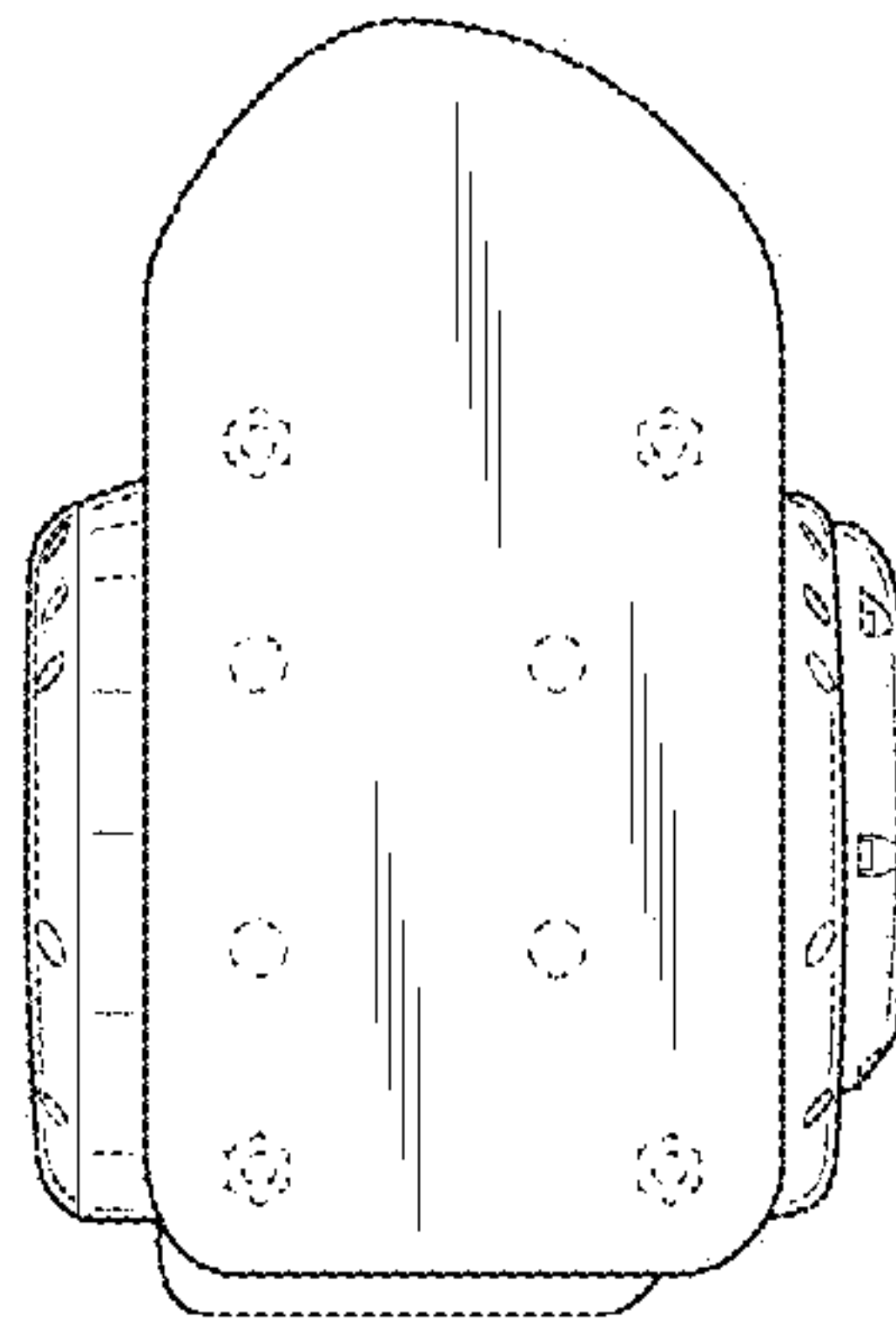


FIG.6

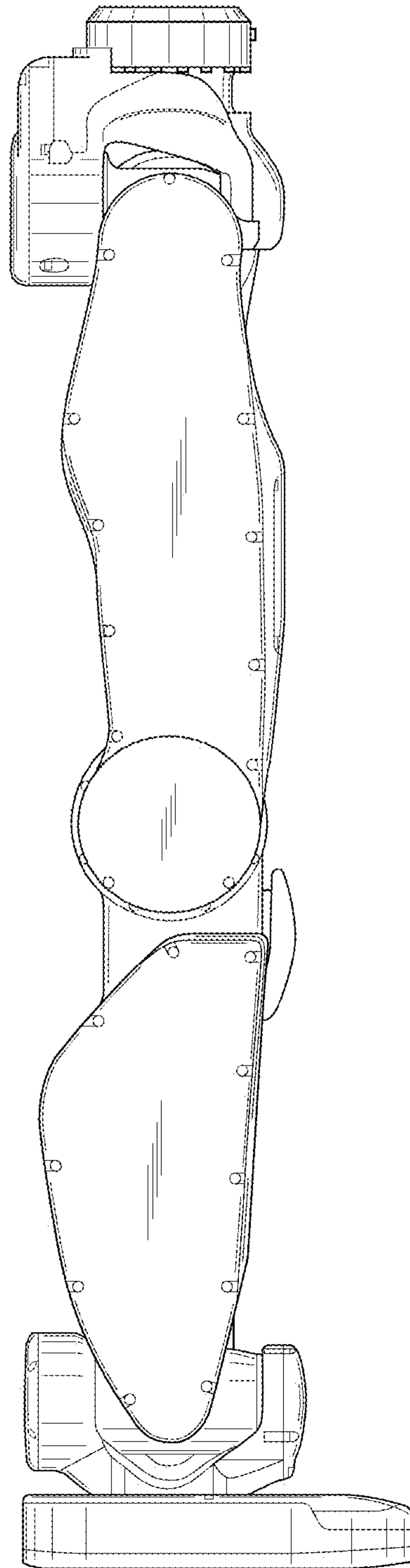


FIG.7

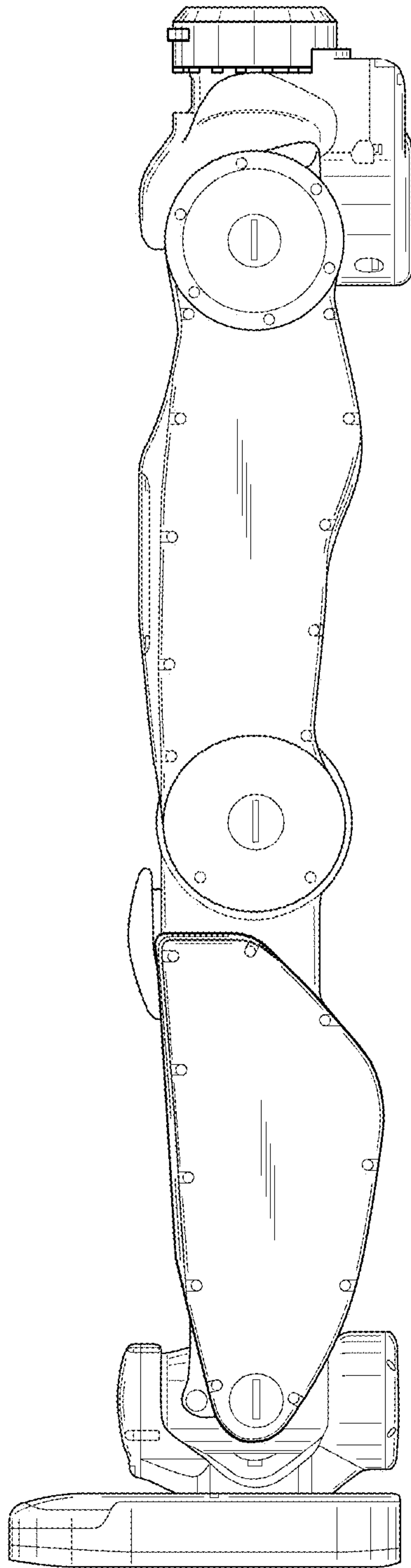


FIG.8

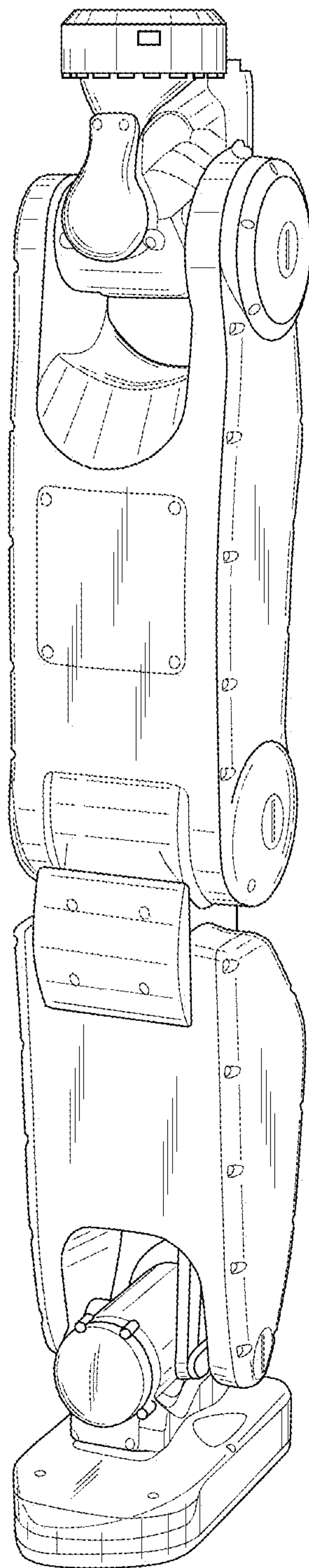


FIG.9

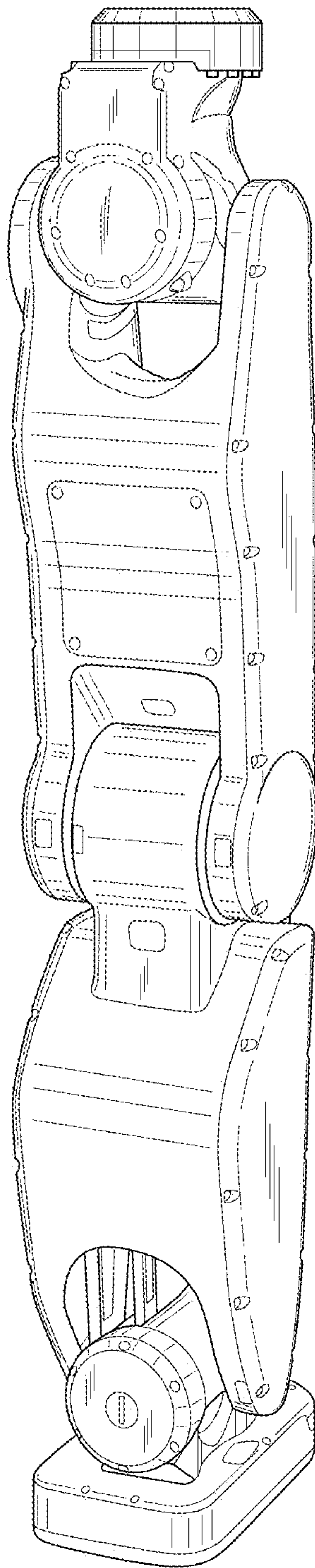


FIG. 10