



US00D841708S

(12) **United States Design Patent**  
**Koshiishi**

(10) **Patent No.:** **US D841,708 S**

(45) **Date of Patent:** **\*\* Feb. 26, 2019**

(54) **ROBOT**

(71) Applicant: **HONDA MOTOR CO., LTD.**, Tokyo  
(JP)

(72) Inventor: **Takeshi Koshiishi**, Wako (JP)

(73) Assignee: **HONDA MOTOR CO., LTD.**, Tokyo  
(JP)

(\*\*) Term: **15 Years**

(21) Appl. No.: **29/610,093**

(22) Filed: **Jul. 10, 2017**

(30) **Foreign Application Priority Data**

Jan. 12, 2017 (JP) ..... 2017-000339

(51) **LOC (11) Cl.** ..... **15-99**

(52) **U.S. Cl.**  
USPC ..... **D15/199**

(58) **Field of Classification Search**  
USPC ..... D15/199; D21/578–583, 621, 622  
CPC ..... B25J 5/007; B60B 19/006; B62D 57/024;  
H01F 7/0221; Y10S 901/01  
See application file for complete search history.

(56) **References Cited**

**U.S. PATENT DOCUMENTS**

D453,199 S *	1/2002	Sawai	.....	D21/578
D460,131 S *	7/2002	Koshiishi	.....	D21/578
D460,503 S *	7/2002	Koshiishi	.....	D21/578
D541,353 S *	4/2007	Takahashi	.....	D21/578
D593,164 S *	5/2009	Sonoda	.....	D21/578
D677,743 S *	3/2013	Koshiishi	.....	D15/199
D719,620 S *	12/2014	Clerc	.....	B25J 5/007
				D15/199
D774,148 S *	12/2016	Hong	.....	D21/578

D794,692 S *	8/2017	Haranaka	.....	D15/199
D795,320 S *	8/2017	Liu	.....	D15/199
D795,321 S *	8/2017	Liu	.....	D15/199
2016/0229058 A1 *	8/2016	Pinter	.....	G06Q 50/22
2016/0361813 A1 *	12/2016	Fei	.....	B25J 9/08

\* cited by examiner

*Primary Examiner* — Patricia A Palasik

(74) *Attorney, Agent, or Firm* — Westerman, Hattori,  
Daniels & Adrian, LLP

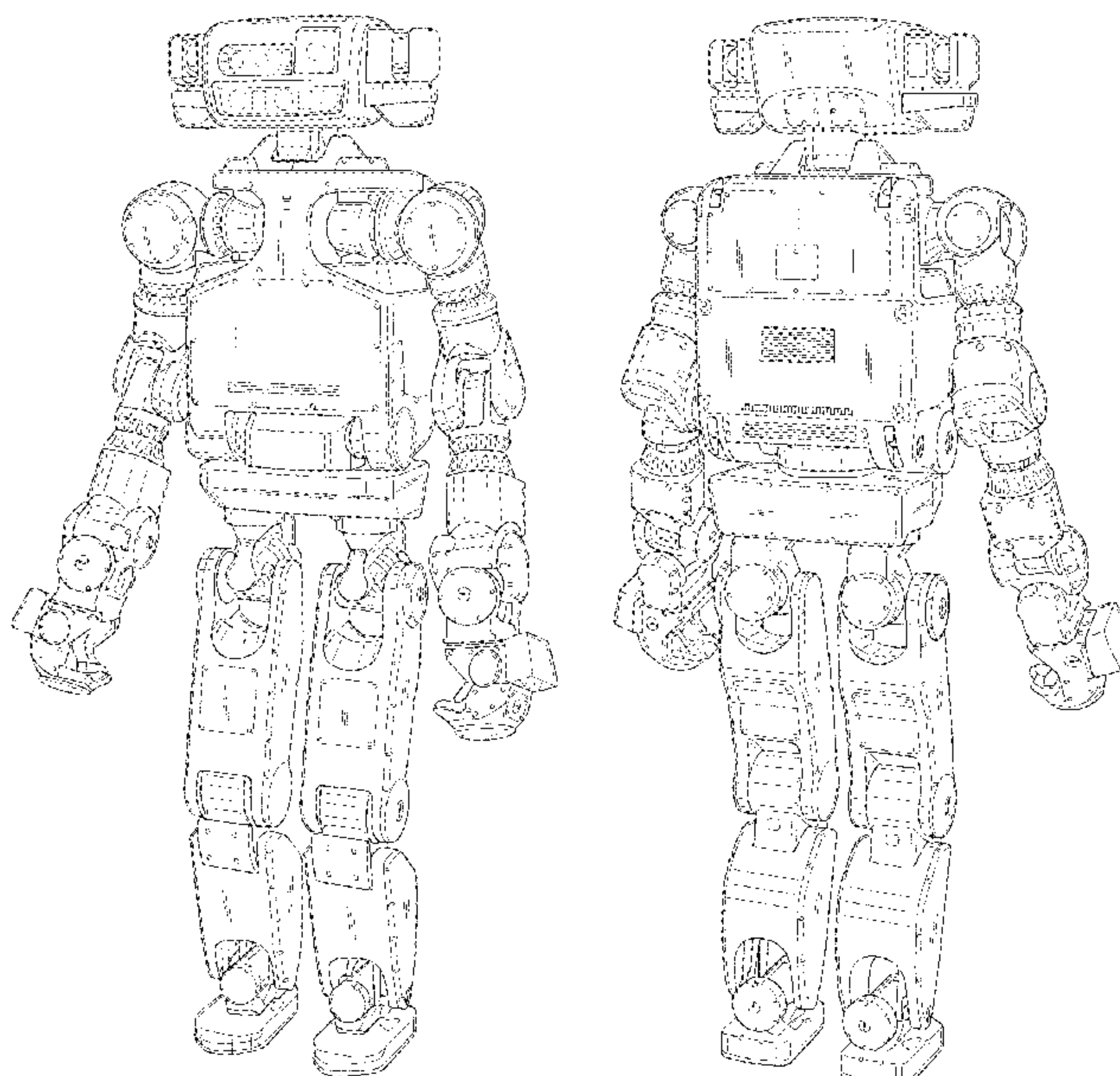
(57) **CLAIM**

The ornamental design for a robot, as shown and described.

**DESCRIPTION**

FIG. 1 is a front perspective view of a robot;  
 FIG. 2 is a rear perspective view thereof;  
 FIG. 3 is a front view thereof;  
 FIG. 4 is a rear view thereof;  
 FIG. 5 is a top plan view thereof;  
 FIG. 6 is a bottom view thereof;  
 FIG. 7 is a left side view thereof;  
 FIG. 8 is a right side view thereof;  
 FIG. 9 is a front perspective view thereof in a four-legged posture;  
 FIG. 10 is a rear perspective view thereof in a four-legged posture;  
 FIG. 11 is a front view thereof in a four-legged posture;  
 FIG. 12 is a rear view thereof in a four-legged posture;  
 FIG. 13 is a top plan view thereof in a four-legged posture;  
 FIG. 14 is a bottom view thereof in a four-legged posture;  
 FIG. 15 is a left side view thereof in a four-legged posture;  
 and,  
 FIG. 16 is a right side view thereof in a four-legged posture.

**1 Claim, 16 Drawing Sheets**



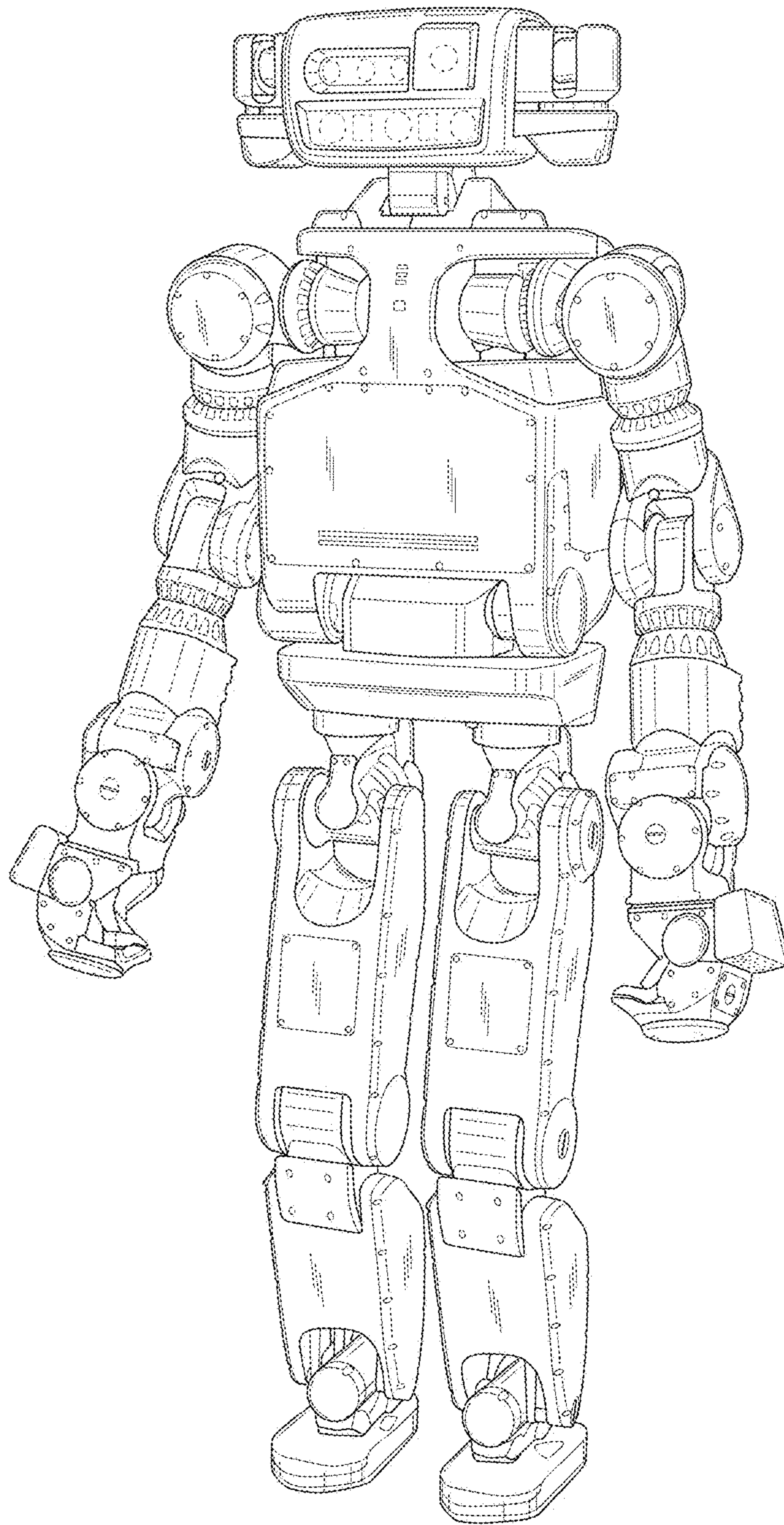


FIG. 1



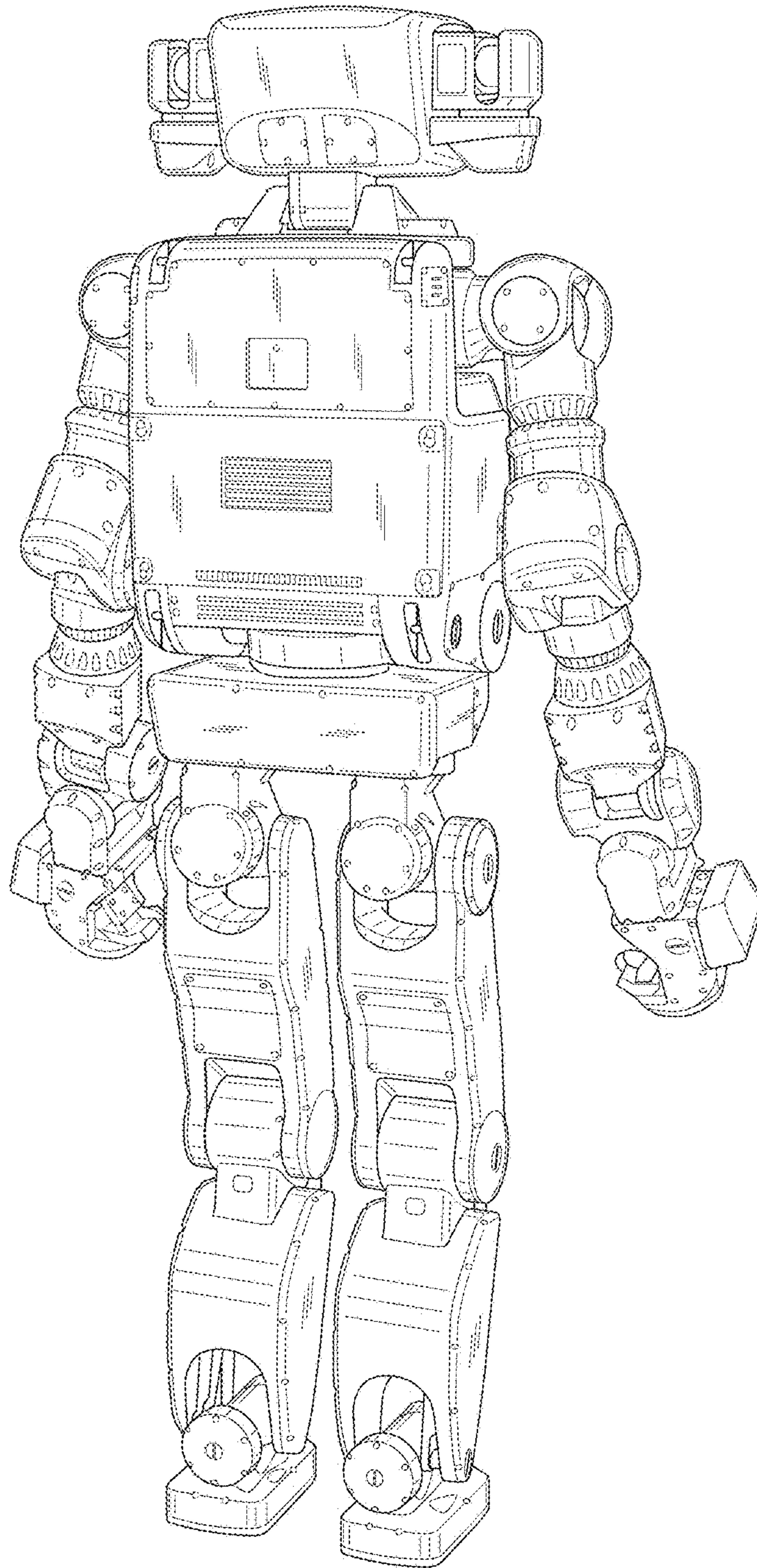


FIG. 2

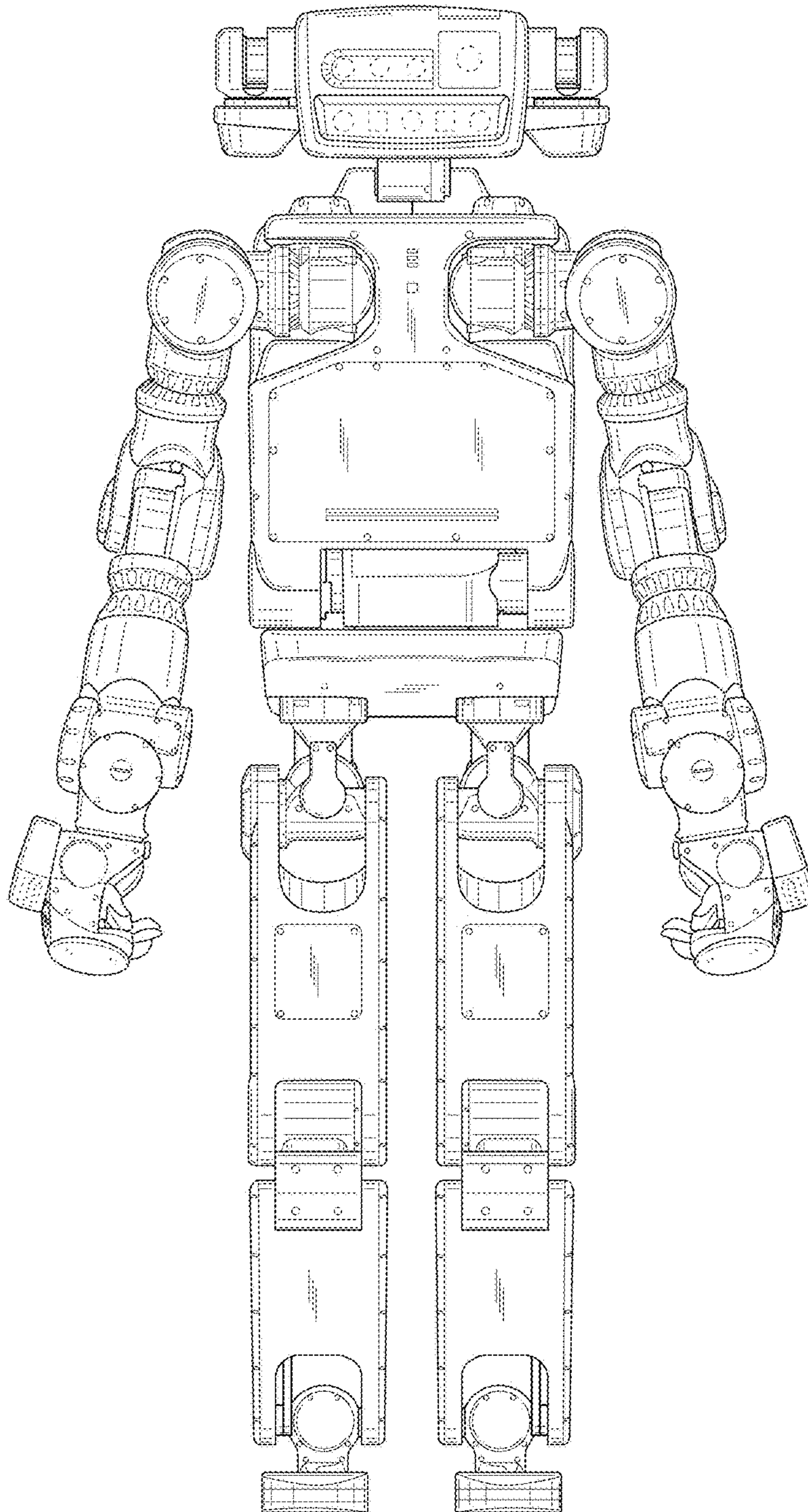


FIG.3



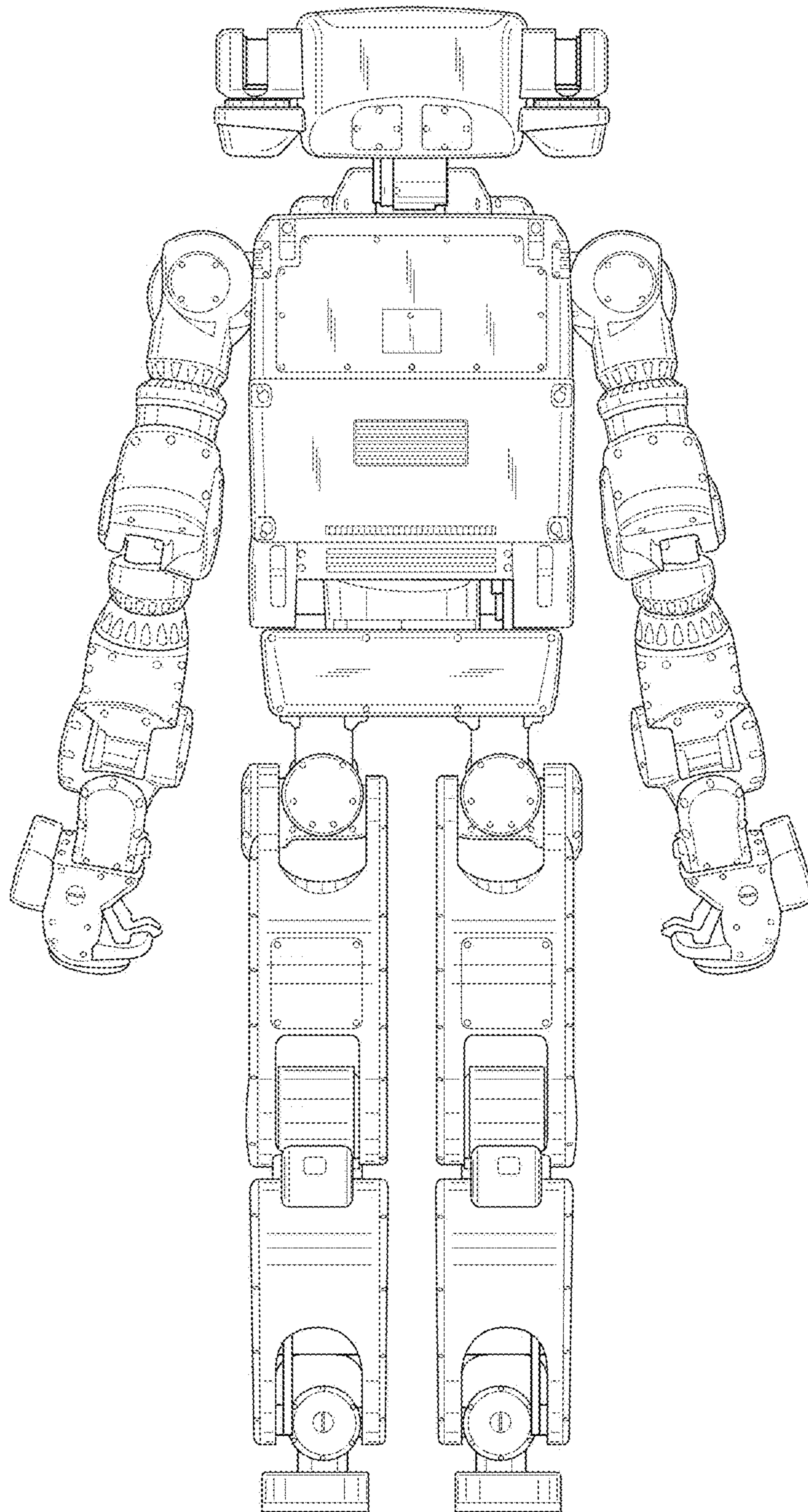


FIG.4

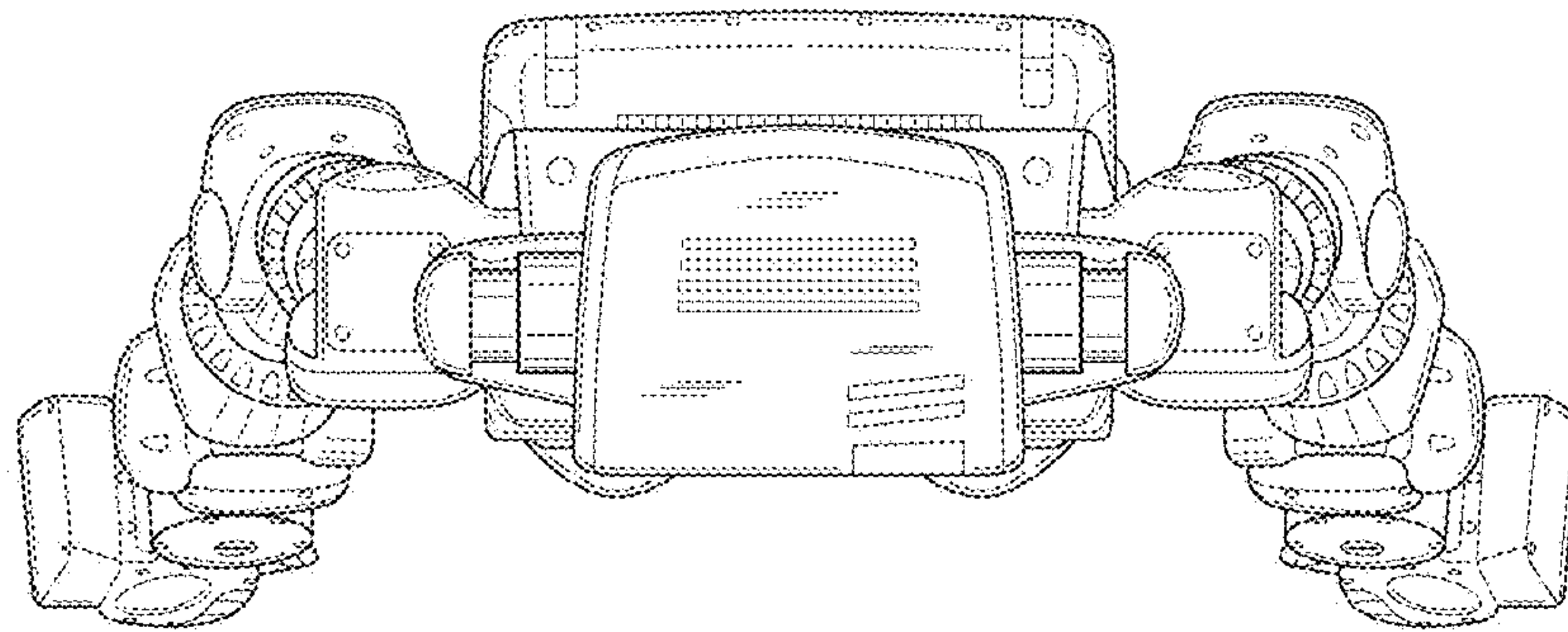


FIG.5

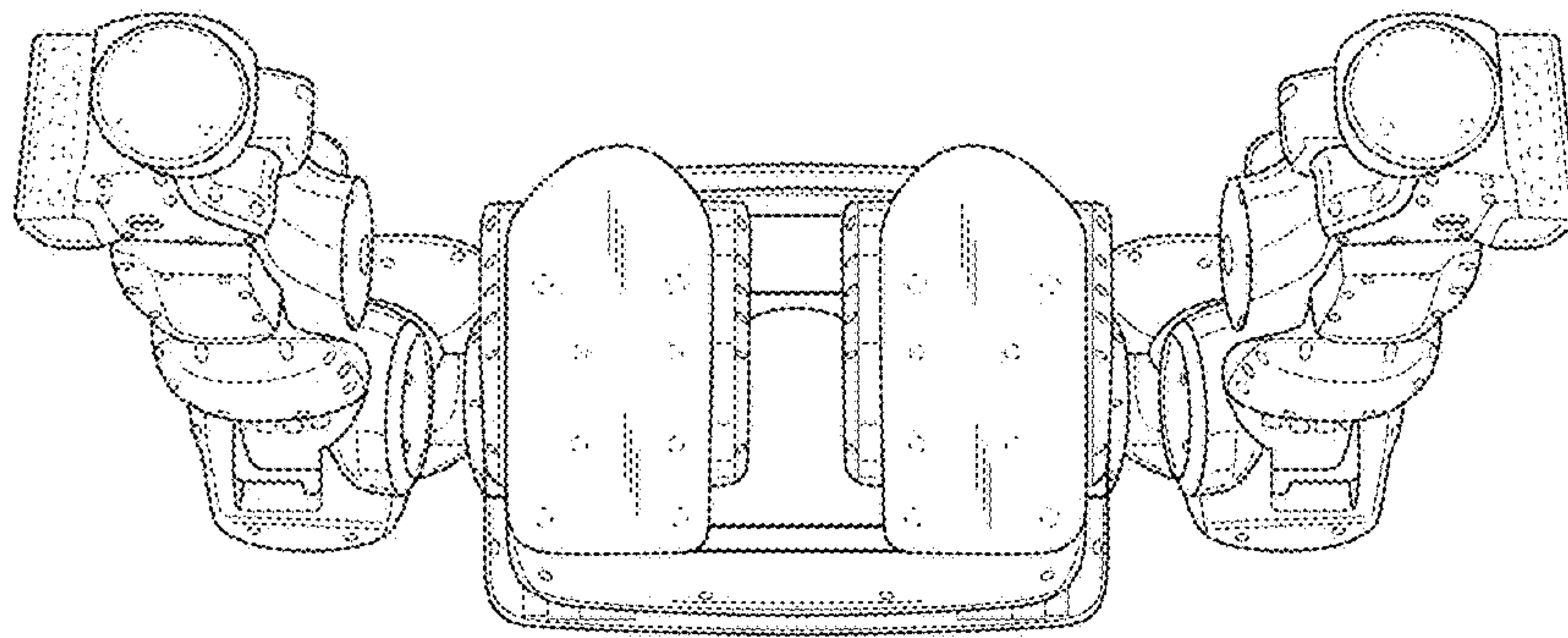


FIG.6

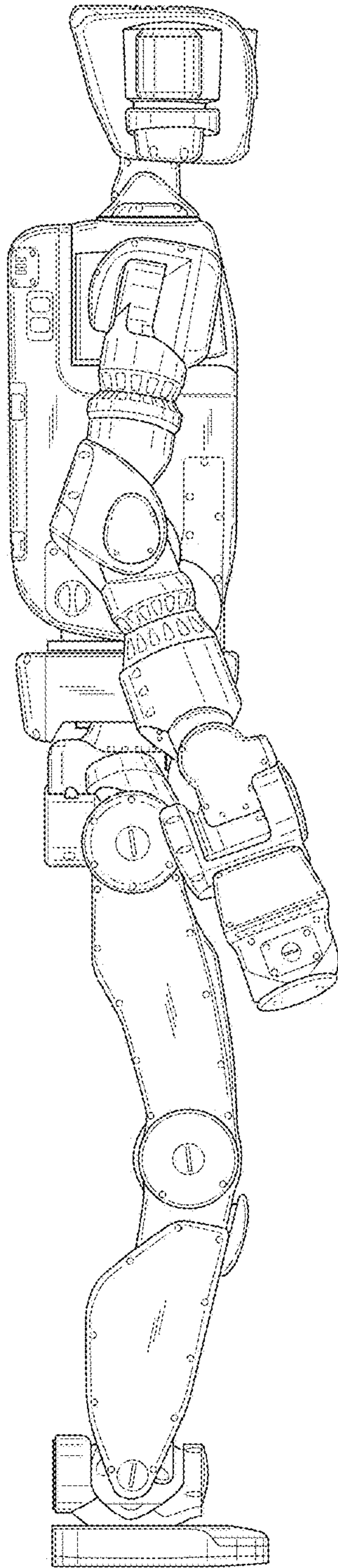


FIG.7



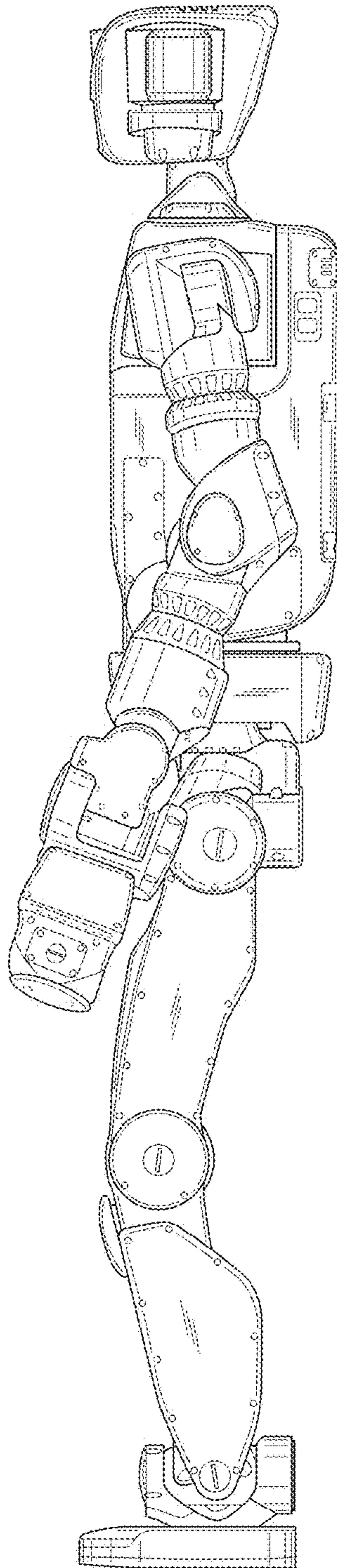


FIG. 8

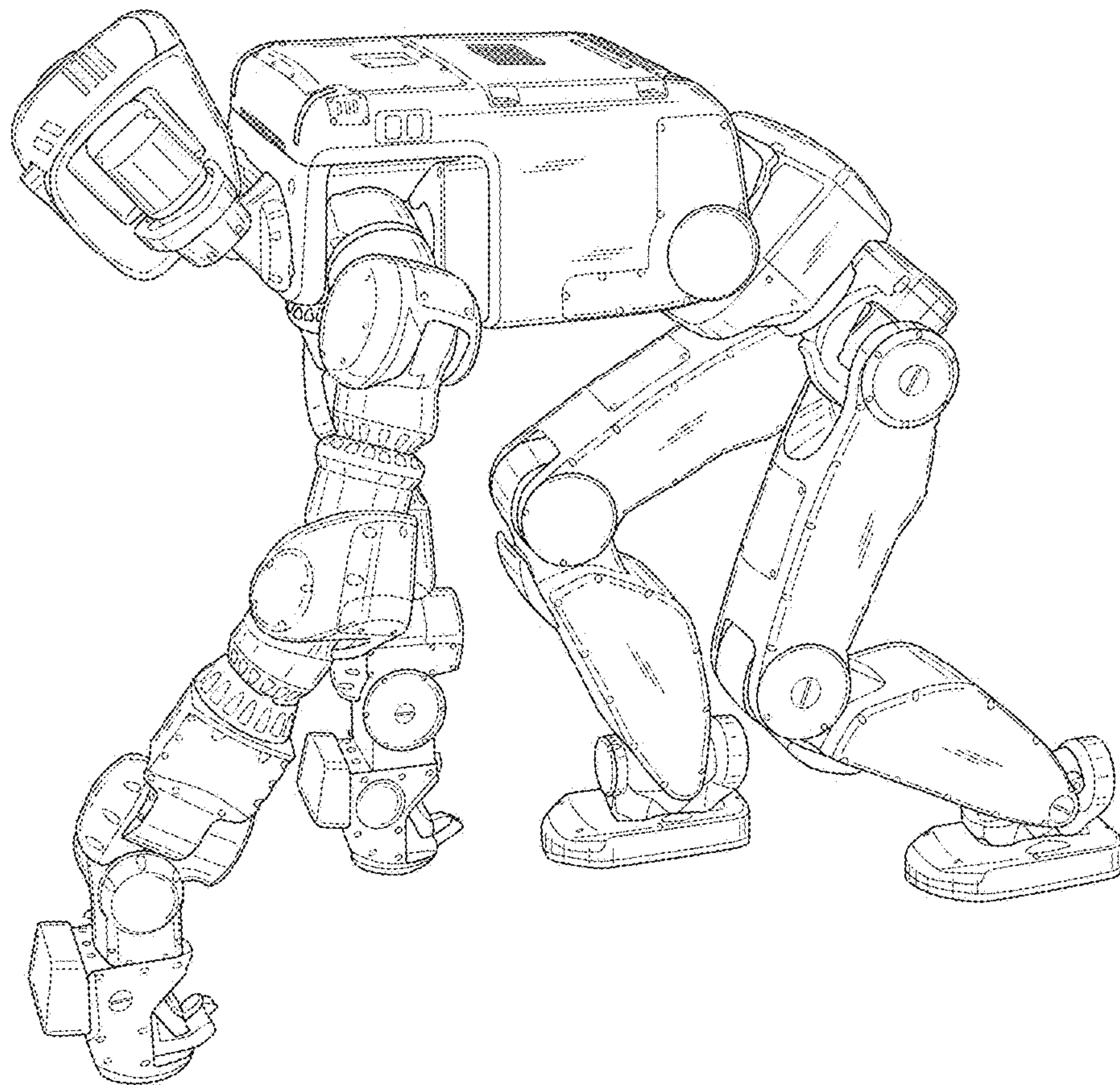


FIG. 9

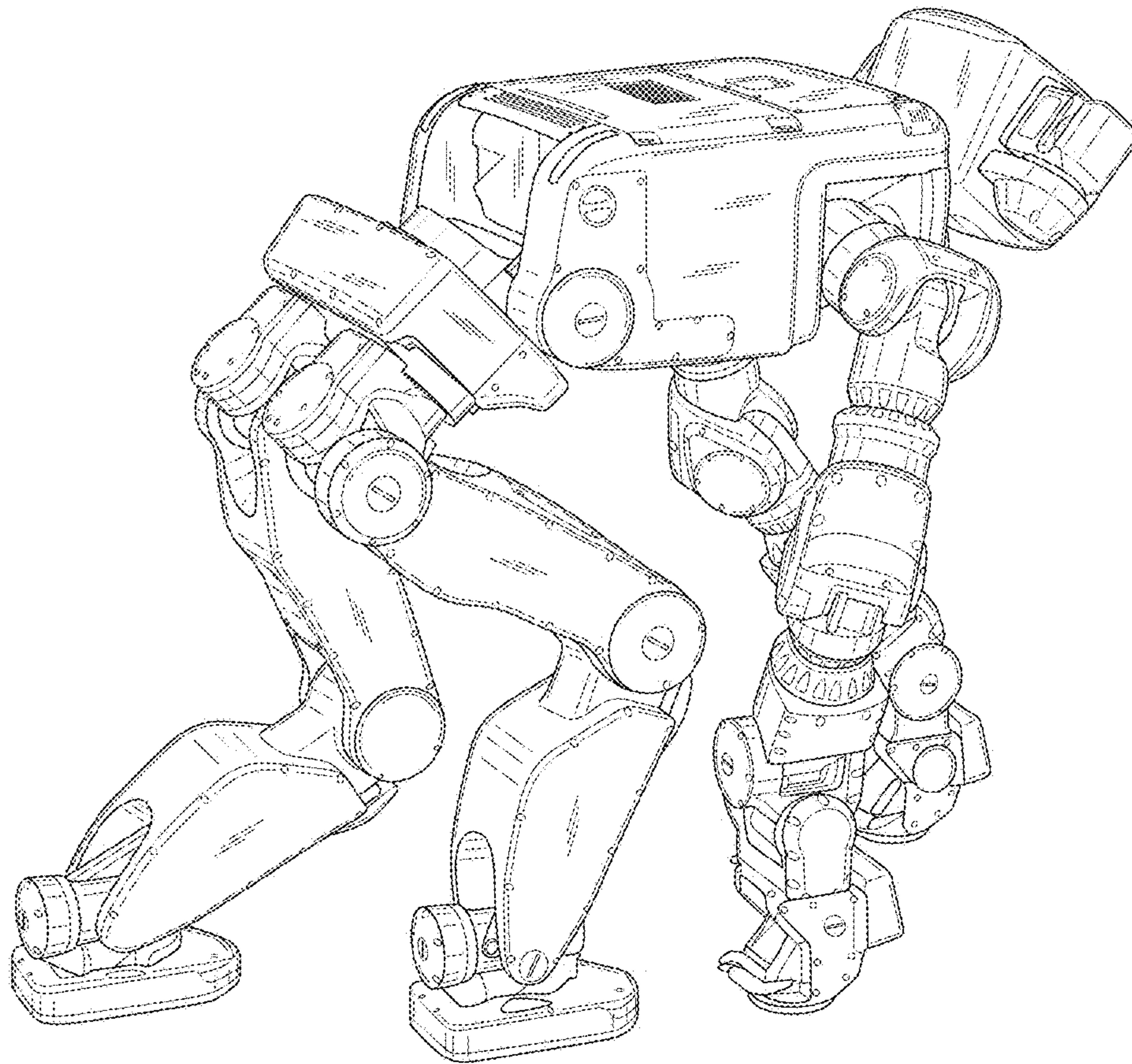


FIG. 10



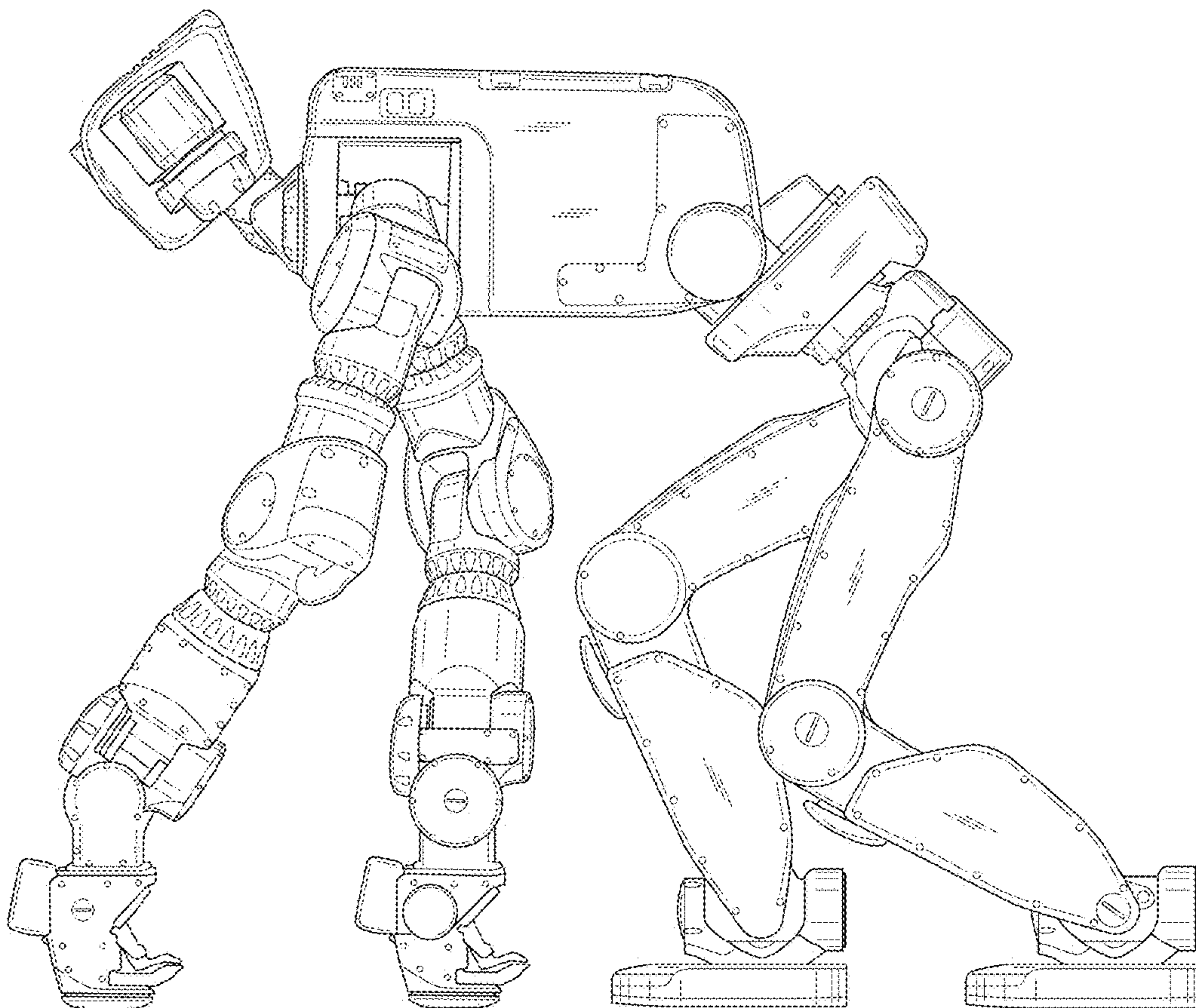


FIG. 11

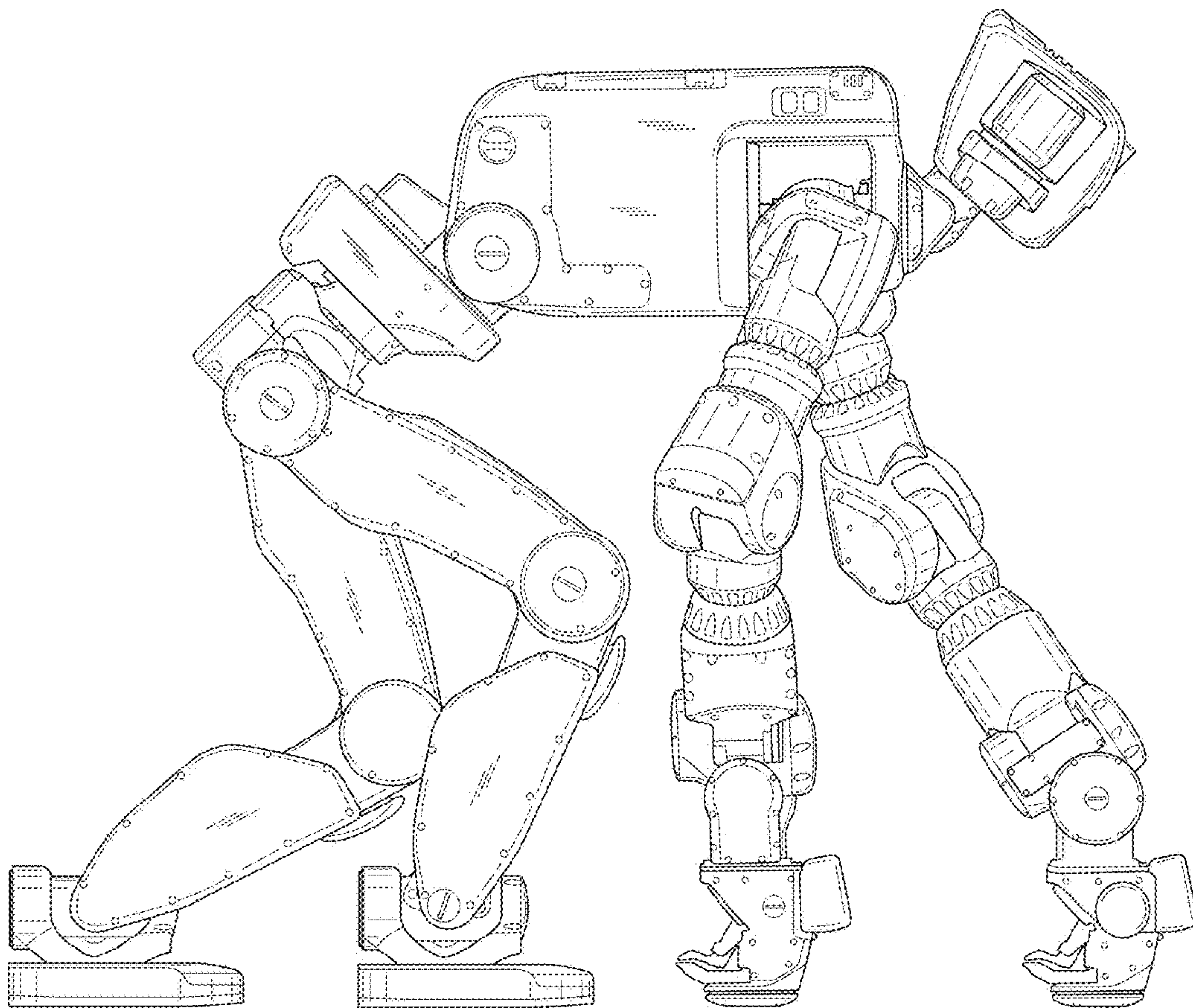


FIG.12

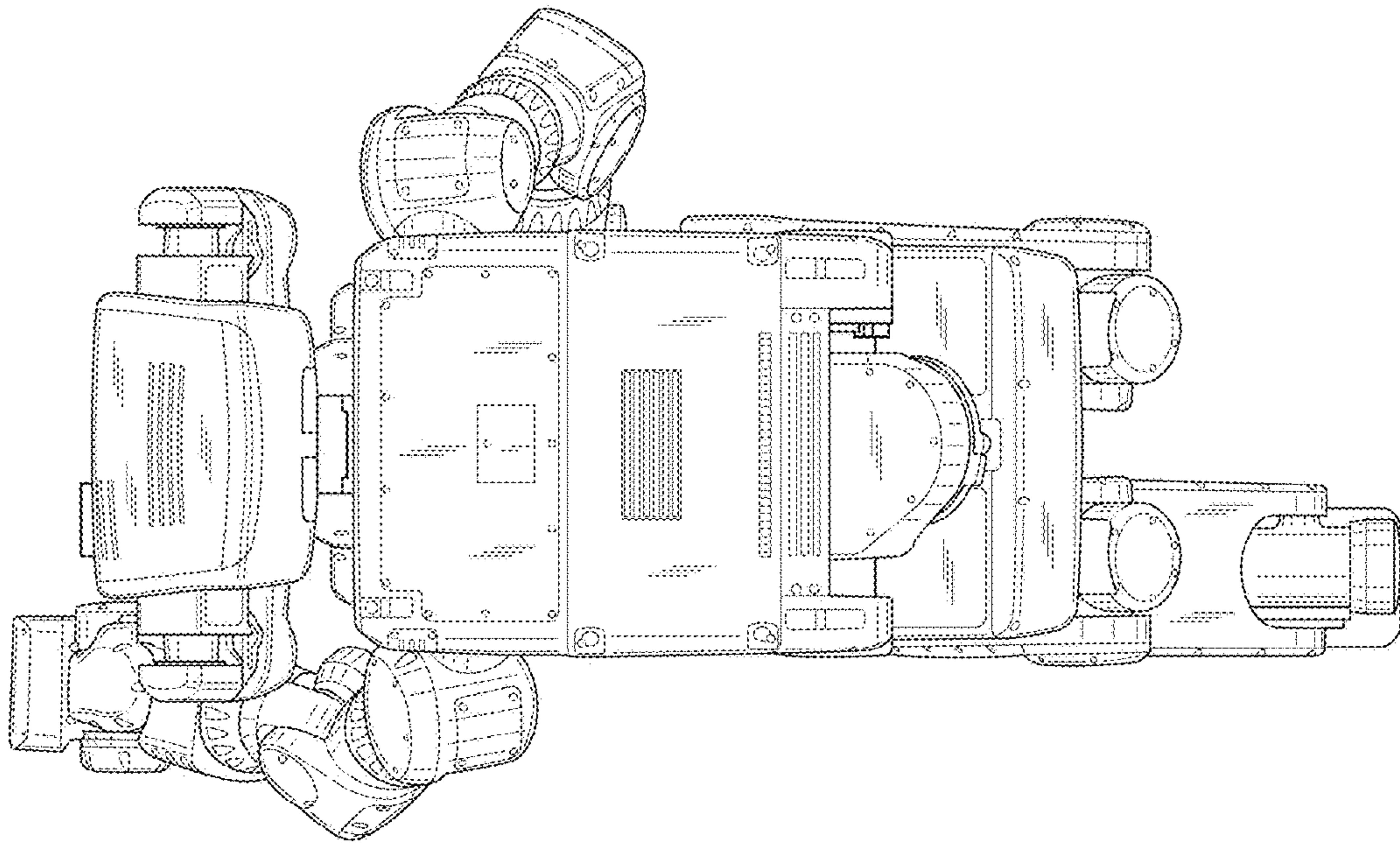


FIG.13



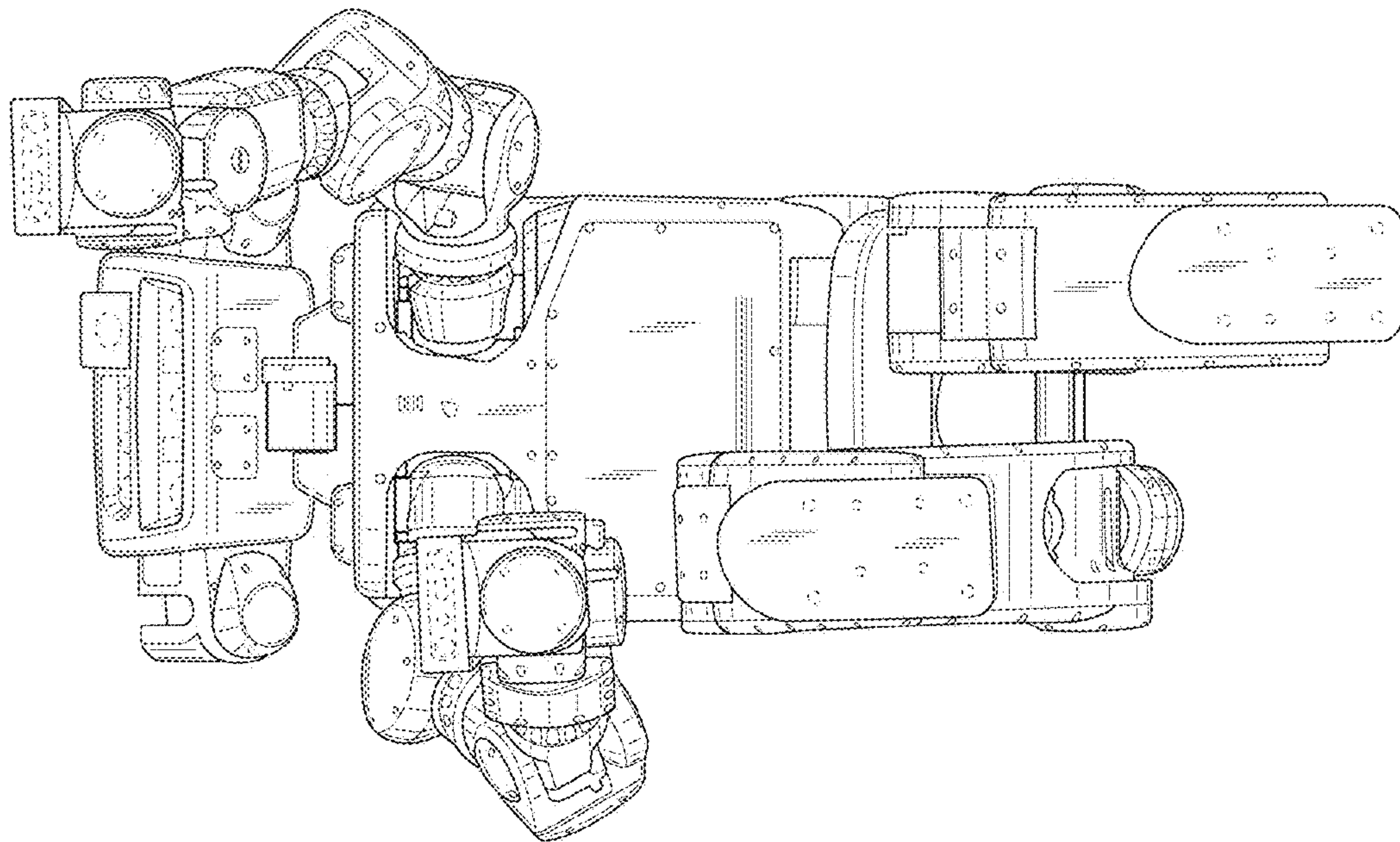


FIG.14

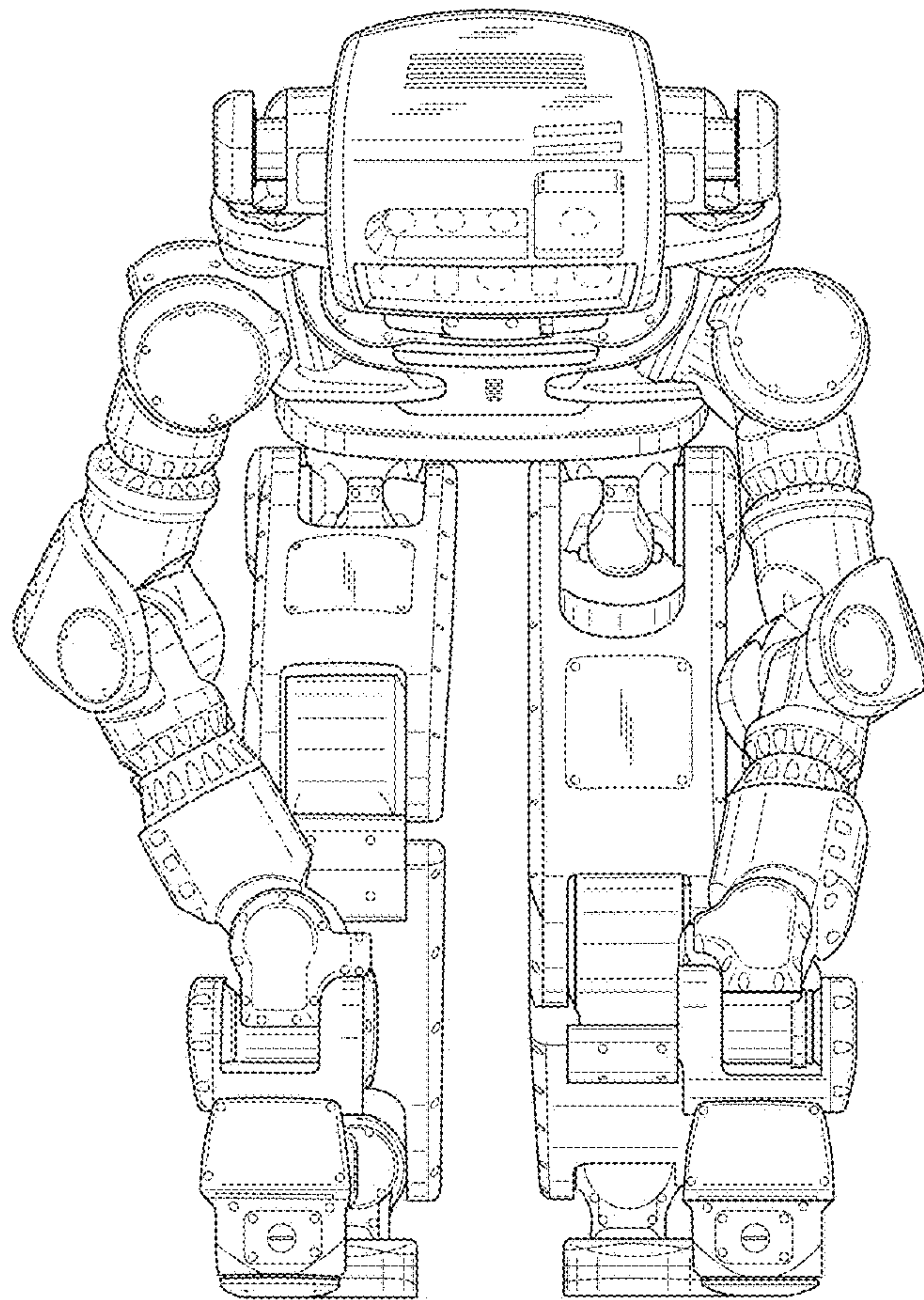


FIG. 15

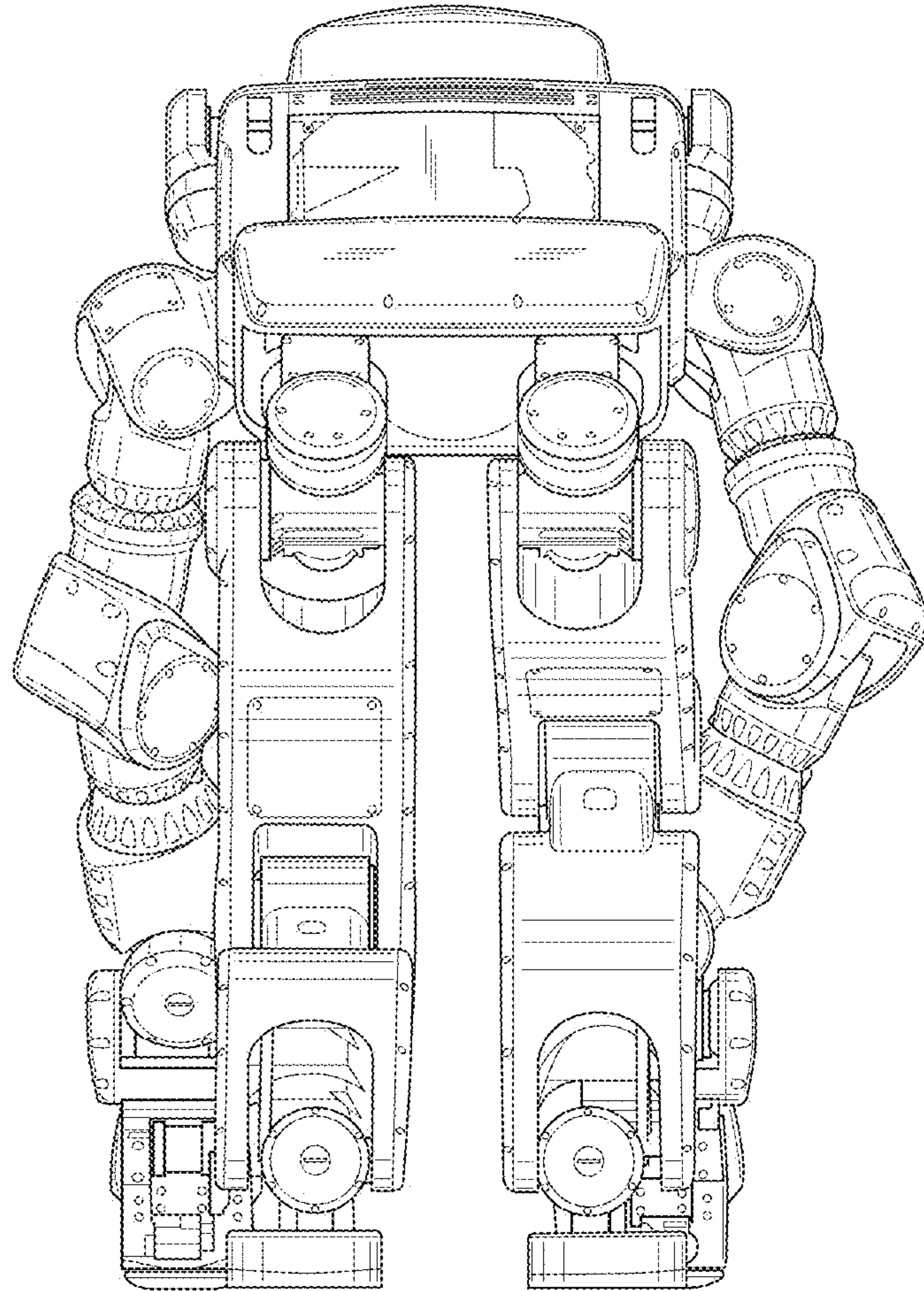


FIG.16