



US00D841707S

(12) **United States Design Patent** (10) **Patent No.:** **US D841,707 S**
Yamamoto et al. (45) **Date of Patent:** **** Feb. 26, 2019**

(54) **INDUSTRIAL ROBOT**

(71) Applicant: **FANUC CORPORATION**,
Minamitsuru-gun, Yamanashi (JP)
(72) Inventors: **Hiroaki Yamamoto**, Yamanashi (JP);
Harutora Inaba, Yamanashi (JP);
Masahiro Morioka, Yamanashi (JP);
Takatoshi Iwayama, Yamanashi (JP)
(73) Assignee: **Fanuc Corporation**, Yamanashi (JP)

(**) Term: **15 Years**

(21) Appl. No.: **29/581,590**

(22) Filed: **Oct. 20, 2016**

Related U.S. Application Data

(62) Division of application No. 29/504,668, filed on Oct. 8, 2014, now Pat. No. Des. 774,578.

(30) **Foreign Application Priority Data**

Apr. 9, 2014 (JP) 2014-007814
Apr. 9, 2014 (JP) 2014-007818

(51) **LOC (11) Cl.** **15-99**

(52) **U.S. Cl.**
USPC **D15/199**

(58) **Field of Classification Search**
USPC D15/199; 74/490.01-490.06; D10/63;
D24/128, 158, 184
CPC B25J 17/00; B25J 9/06; B25J 9/102; B25J
18/00; B25J 19/0029; B25J 19/0009;
A61B 19/2203; A61B 19/5212; A61B
1/008; A61B 2019/2234; A61B
2019/2242; A61B 2019/2223; A61B
2019/223; A61B 2019/2238

See application file for complete search history.

(56) **References Cited**

U.S. PATENT DOCUMENTS

D334,581 S * 4/1993 Yoshikawa D15/199
5,327,058 A 7/1994 Rembutsu
5,375,480 A 12/1994 Nihei
D440,241 S 4/2001 Kawahara
D443,287 S 6/2001 Kawahara
D613,781 S 1/2010 Liu
D615,574 S 5/2010 Liu
D616,477 S 5/2010 Long

(Continued)

FOREIGN PATENT DOCUMENTS

JP D1508021 9/2014
JP D1508216 9/2014

OTHER PUBLICATIONS

Non Final Office Action dated Feb. 1, 2016 for U.S. Appl. No. 29/521,492.

(Continued)

Primary Examiner — Patricia A Palasik

(74) *Attorney, Agent, or Firm* — RatnerPrestia

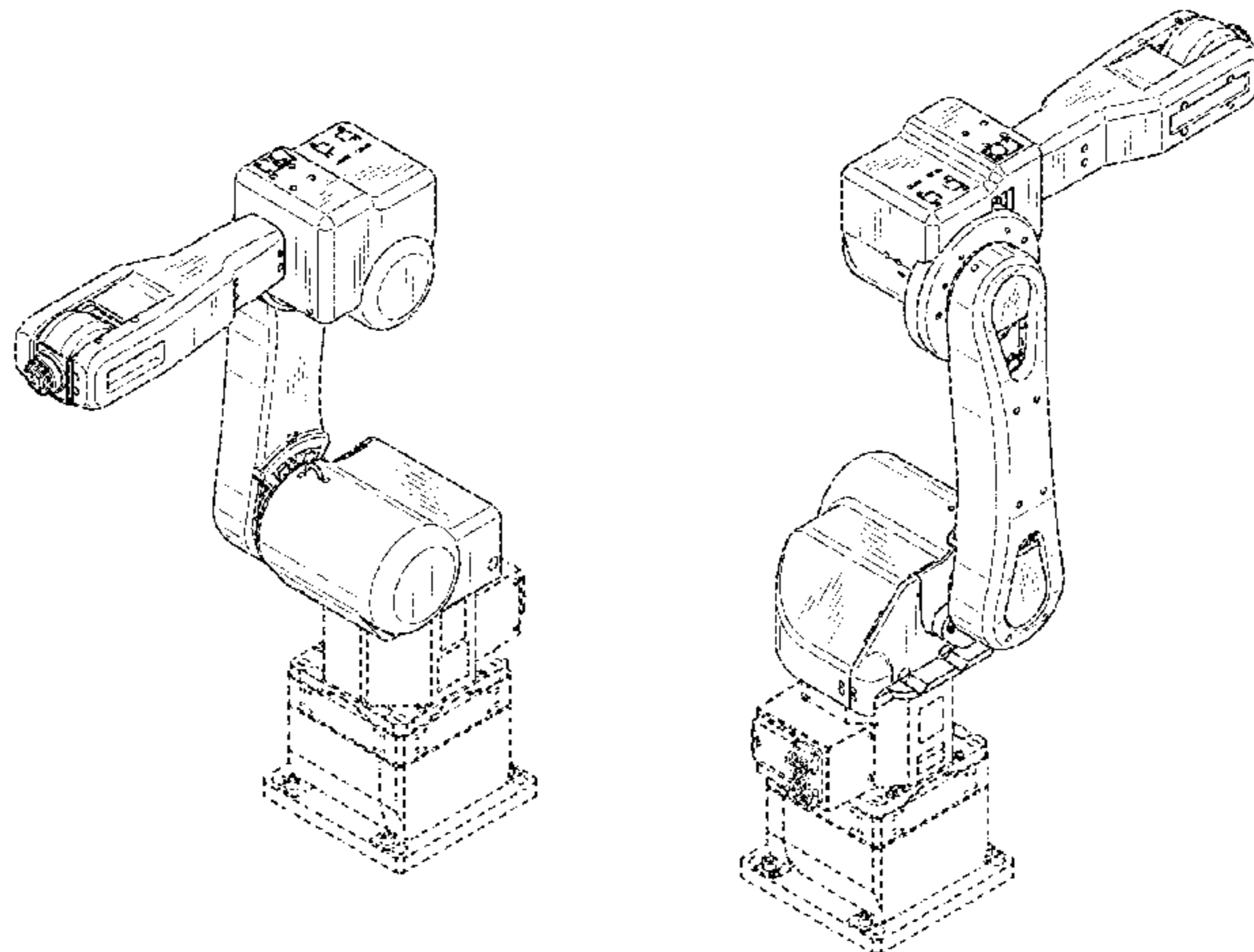
(57) **CLAIM**

The ornamental design for an industrial robot, as shown and described.

DESCRIPTION

FIG. 1 is a front perspective view of an industrial robot showing our new design;
FIG. 2 is a rear perspective view thereof;
FIG. 3 is a front view thereof;
FIG. 4 is a rear view thereof;
FIG. 5 is a left side elevational view thereof;
FIG. 6 is a right side elevational view thereof;
FIG. 7 is a top plan view thereof; and,
FIG. 8 is a bottom plan view thereof.
The broken lines shown in the drawings depict environment and form no part of the claimed design.

1 Claim, 6 Drawing Sheets



(56)

References Cited

U.S. PATENT DOCUMENTS

D624,104 S 9/2010 Miyake
D629,030 S 12/2010 Long
D636,004 S * 4/2011 Nakagiri D15/199
D636,803 S 4/2011 Nakagiri
D638,043 S 5/2011 Tsuchiya
D638,044 S 5/2011 Ikoma
D650,820 S 12/2011 Long
D651,627 S 1/2012 Long
D670,319 S 11/2012 Liu
D677,294 S 3/2013 Long
D678,378 S 3/2013 Selic
D681,708 S 5/2013 Miyake
D690,753 S 10/2013 Liu
D707,277 S 6/2014 Olsson
D713,436 S 9/2014 Liu
D769,954 S * 10/2016 Kinoshita D15/199
D774,578 S 12/2016 Oda
D774,579 S 12/2016 Oda
D774,580 S 12/2016 Oda

2005/0126327 A1 6/2005 Markert
2005/0189333 A1 9/2005 Nakagiri
2010/0234996 A1 9/2010 Schreiber
2011/0303042 A1 12/2011 Pan
2013/0125691 A1 5/2013 Wappling
2013/0305869 A1 11/2013 Krumbacher
2014/0047940 A1 2/2014 Yamamoto
2014/0224057 A1 8/2014 Tanaka
2015/0202780 A1 7/2015 Wang
2015/0258681 A1 9/2015 Kinoshita
2016/0089779 A1 3/2016 Hahakura
2016/0089794 A1 3/2016 Niu

OTHER PUBLICATIONS

Non Final Office Action dated Feb. 2, 2016 for U.S. Appl. No. 29/521,496.
Notice of Allowance for U.S. Appl. No. 29/504,668, dated Aug. 17, 2016, 10 pages.

* cited by examiner

FIG. 1

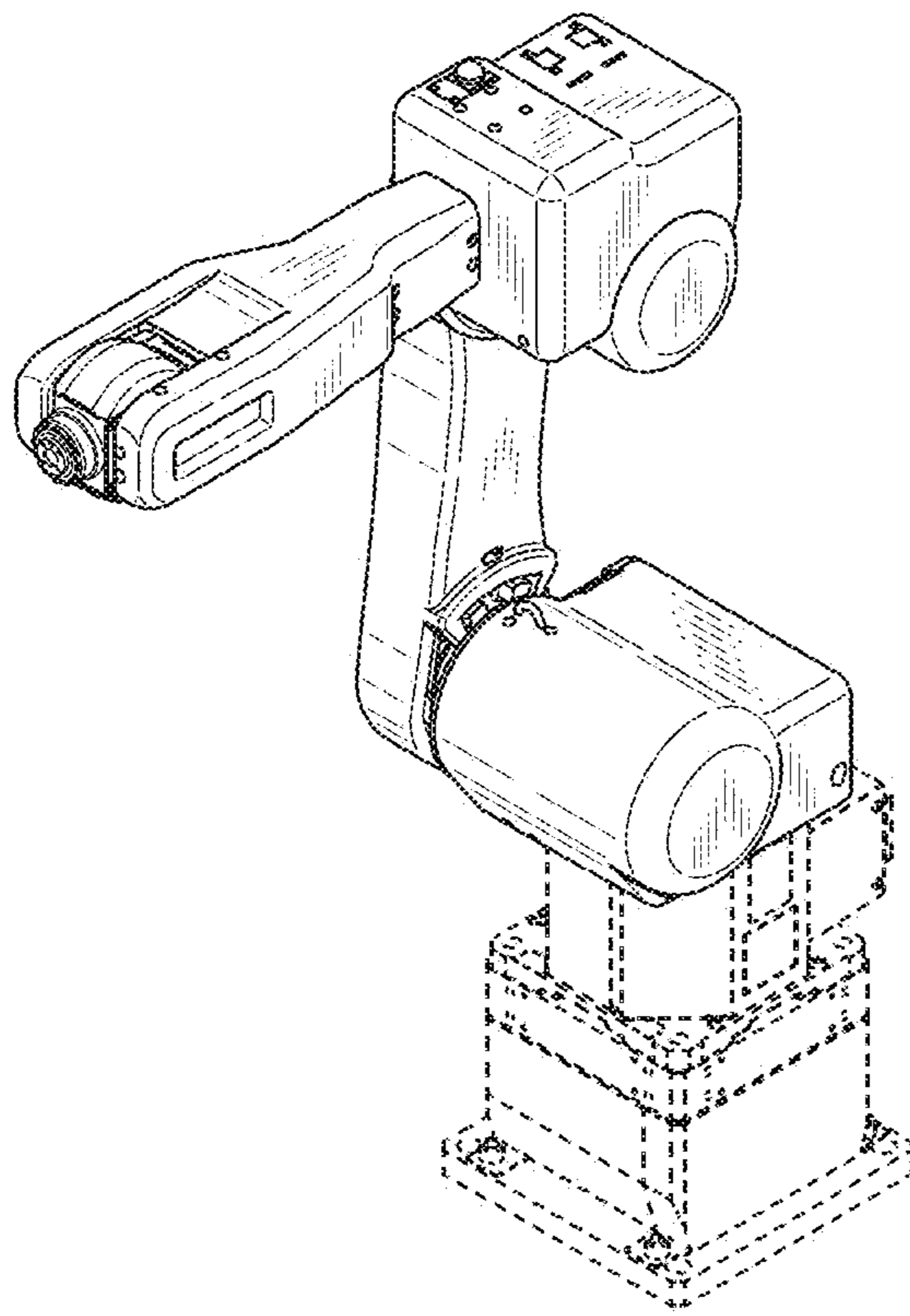


FIG. 2

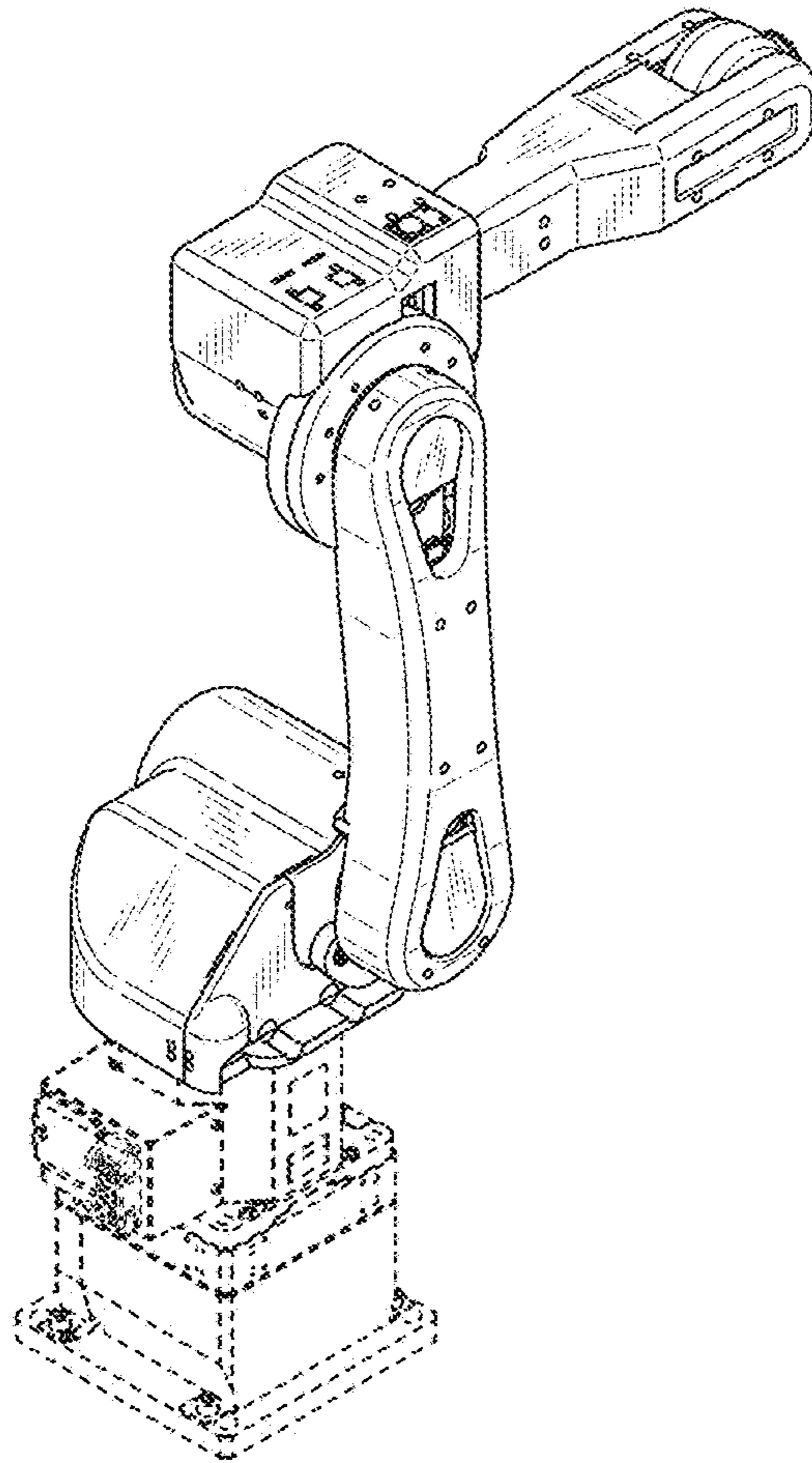


FIG. 3

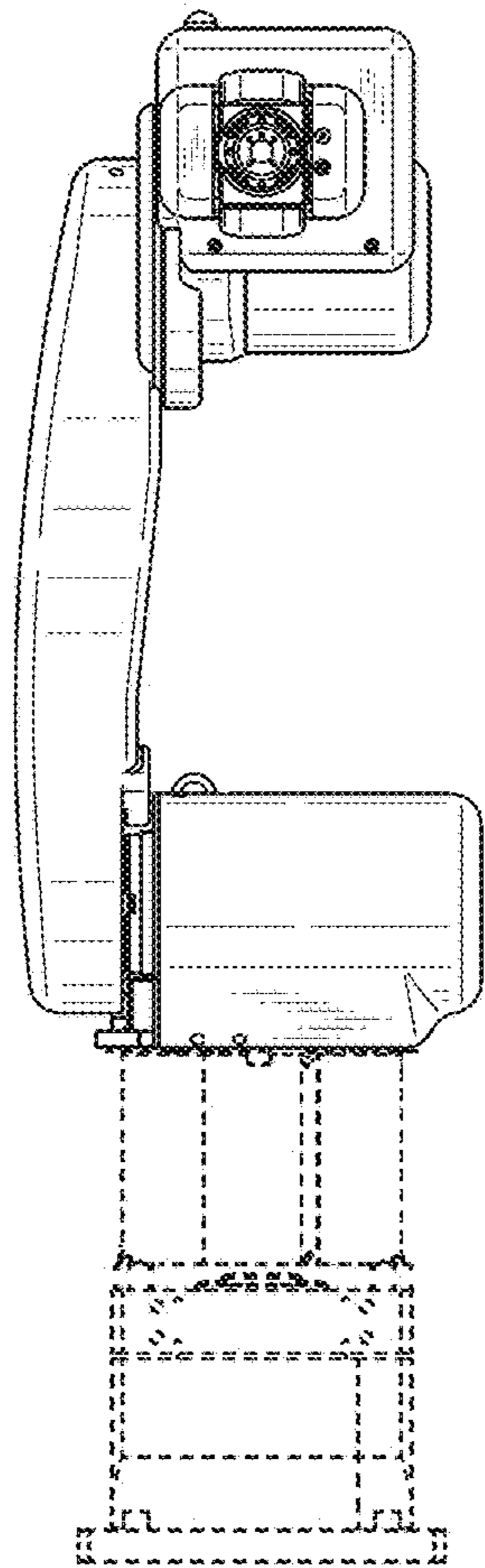


FIG. 4

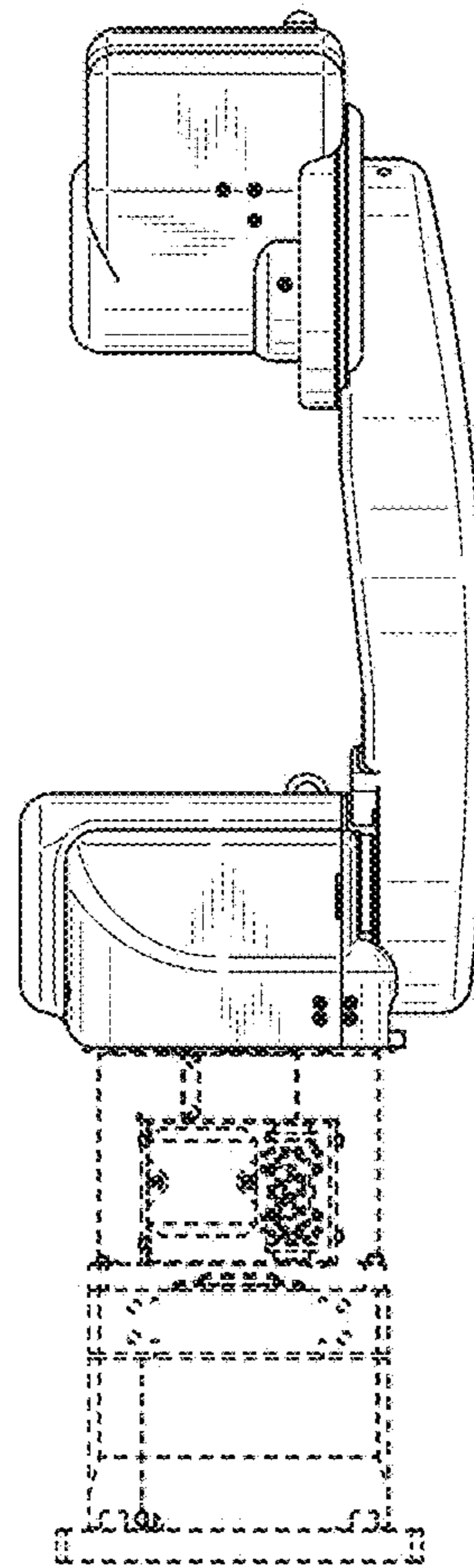


FIG. 5

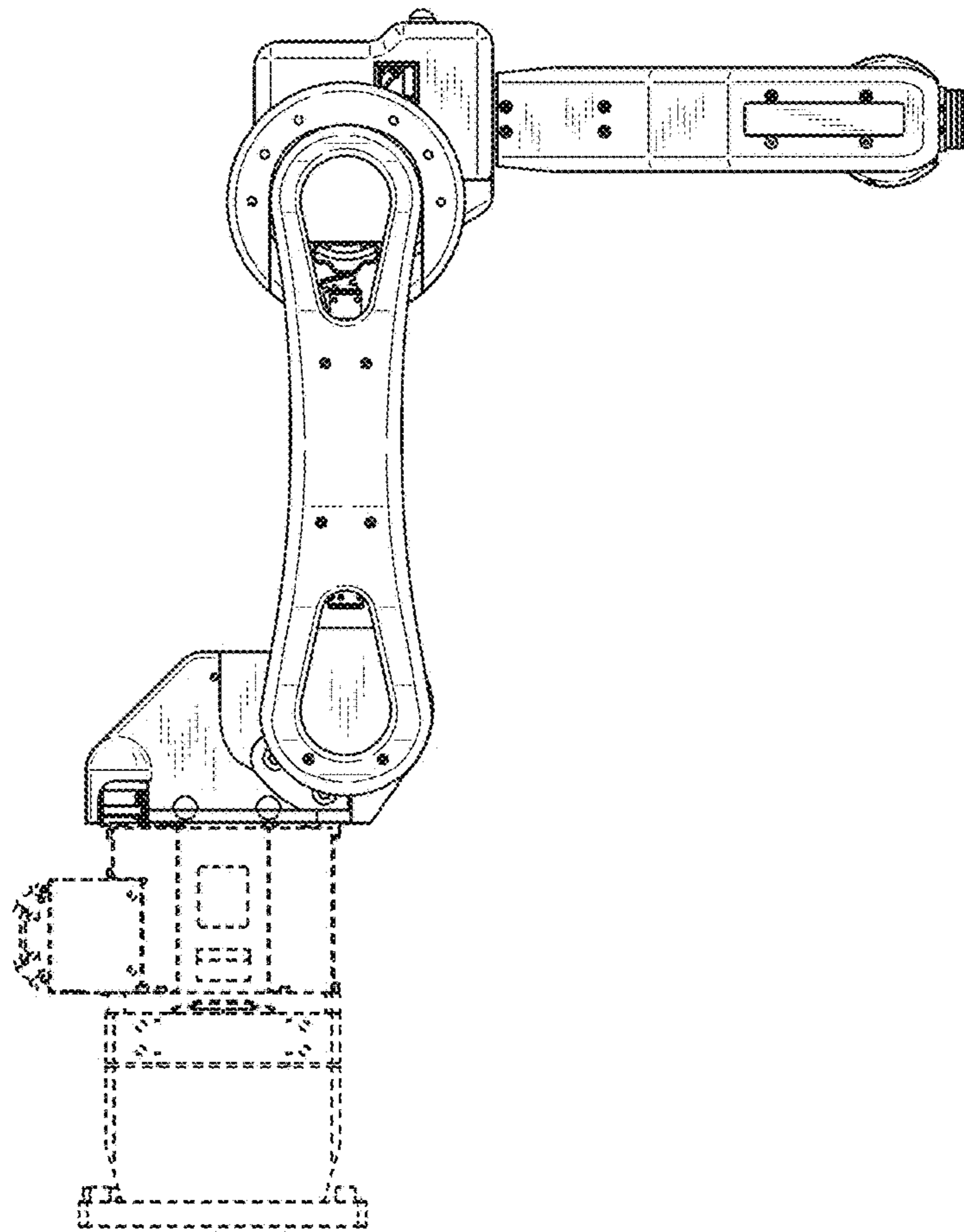


FIG. 6

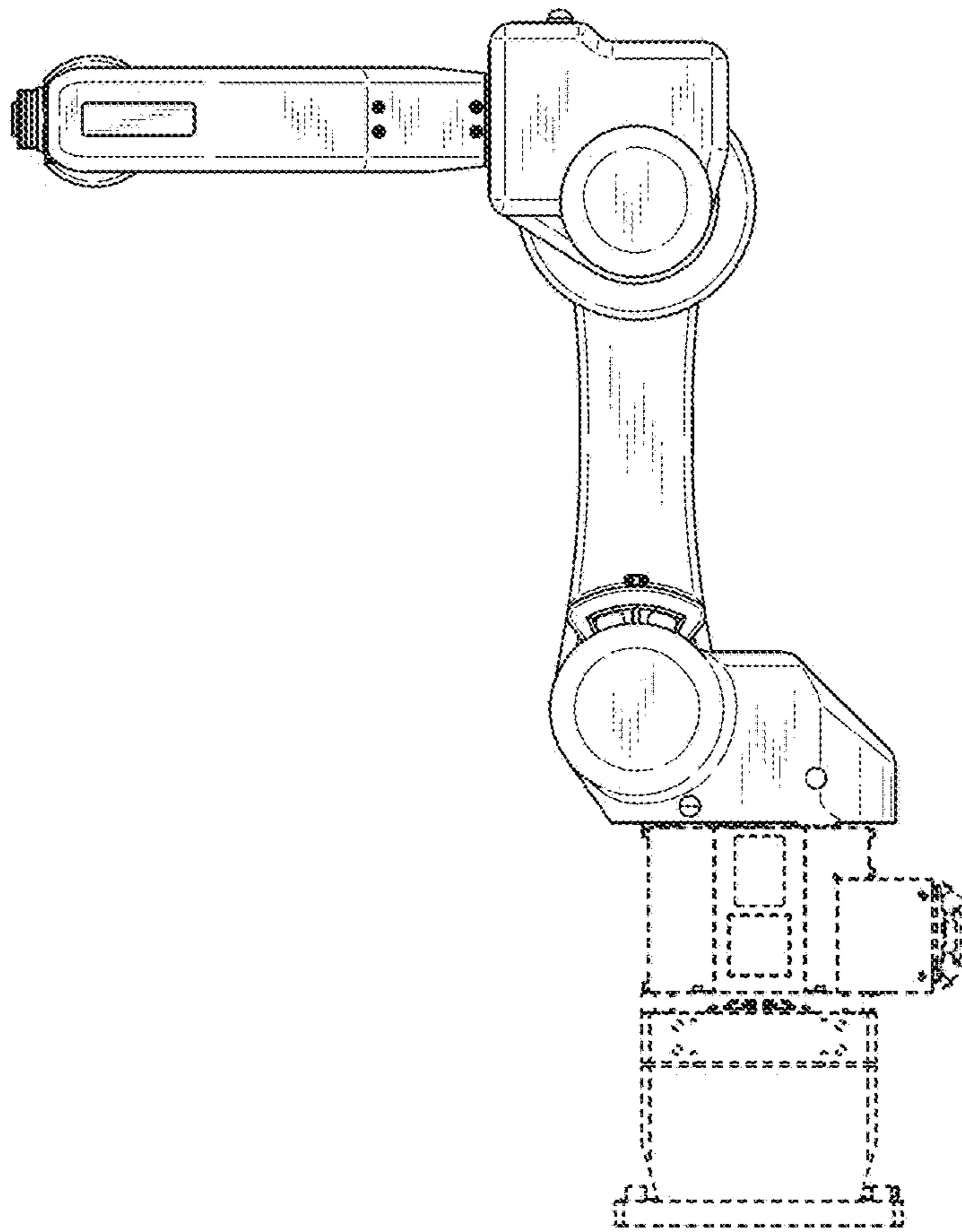


FIG. 7

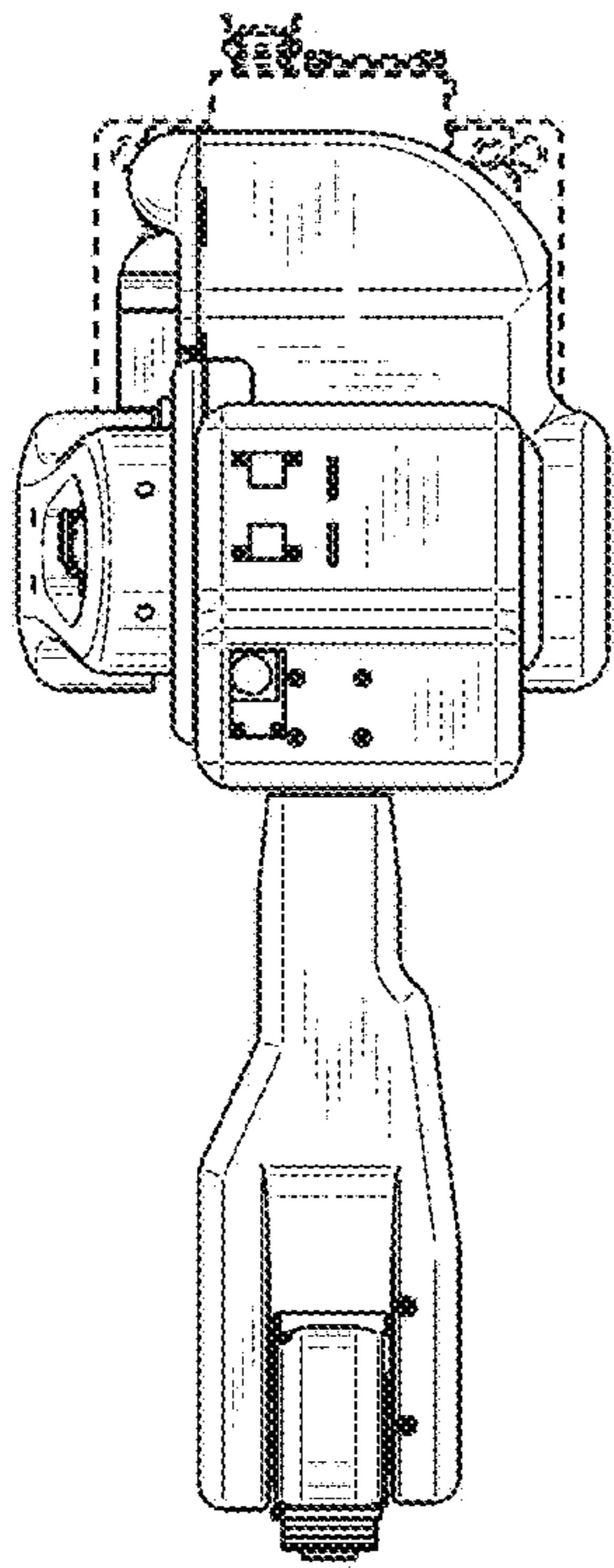


FIG. 8

