



US00D841704S

(12) **United States Design Patent**
Maeda

(10) **Patent No.:** **US D841,704 S**
(45) **Date of Patent:** **** Feb. 26, 2019**

(54) **THROW-AWAY TIP FOR CUTTING TOOL**

(71) Applicant: **SUMITOMO ELECTRIC SINTERED ALLOY, LTD.**,
Takahashi-shi (JP)

(72) Inventor: **Kazuo Maeda**, Takahashi (JP)

(73) Assignee: **SUMITOMO ELECTRIC SINTERED ALLOY, LTD.**,
Takahashi-shi (JP)

(**) Term: **15 Years**

(21) Appl. No.: **29/598,868**

(22) Filed: **Mar. 29, 2017**

(30) **Foreign Application Priority Data**

Sep. 29, 2016 (JP) 2016-020991
Sep. 29, 2016 (JP) 2016-020992

(Continued)

(51) **LOC (11) Cl.** **15-09**

(52) **U.S. Cl.**
USPC **D15/139**

(58) **Field of Classification Search**
USPC D8/20, 70; D15/126, 131, 138, 139, 140
(Continued)

(56) **References Cited**

U.S. PATENT DOCUMENTS

D271,497 S * 11/1983 Green D15/139
4,507,023 A * 3/1985 Shikata B23B 27/1614
407/103

(Continued)

FOREIGN PATENT DOCUMENTS

JP 1553247 S 7/2016
JP 1553248 S 7/2016

(Continued)

OTHER PUBLICATIONS

Notice in counterpart Japanese Design Application No. 2016-020991 dated Dec. 12, 2016.

(Continued)

Primary Examiner — Patricia A Palasik

(74) *Attorney, Agent, or Firm* — Venable LLP; Michael A. Sartori; Laura G. Remus

(57) **CLAIM**

The ornamental design for a throw-away tip for cutting tool, as shown and described.

DESCRIPTION

FIG. 1 is a front view of an embodiment of a throw-away tip for cutting tool showing my new design;

FIG. 2 is a rear view thereof;

FIG. 3 is a top view thereof;

FIG. 4 is a bottom view thereof;

FIG. 5 is a right side view thereof;

FIG. 6 is a left side view thereof;

FIG. 7 is a first perspective view thereof;

FIG. 8 is a second perspective view thereof;

FIG. 9 is an enlarged view of IX-IX portion of FIG. 1;

FIG. 10 is an enlarged view of X-X portion of FIG. 4;

FIG. 11 is an enlarged view of XI-XI portion of FIG. 4;

FIG. 12 is an enlarged view of XII-XII portion of FIG. 5;

FIG. 13 is an enlarged view of XIII-XIII portion of FIG. 6;

FIG. 14 is a cross sectional view taken along line XIV-XIV of FIG. 9;

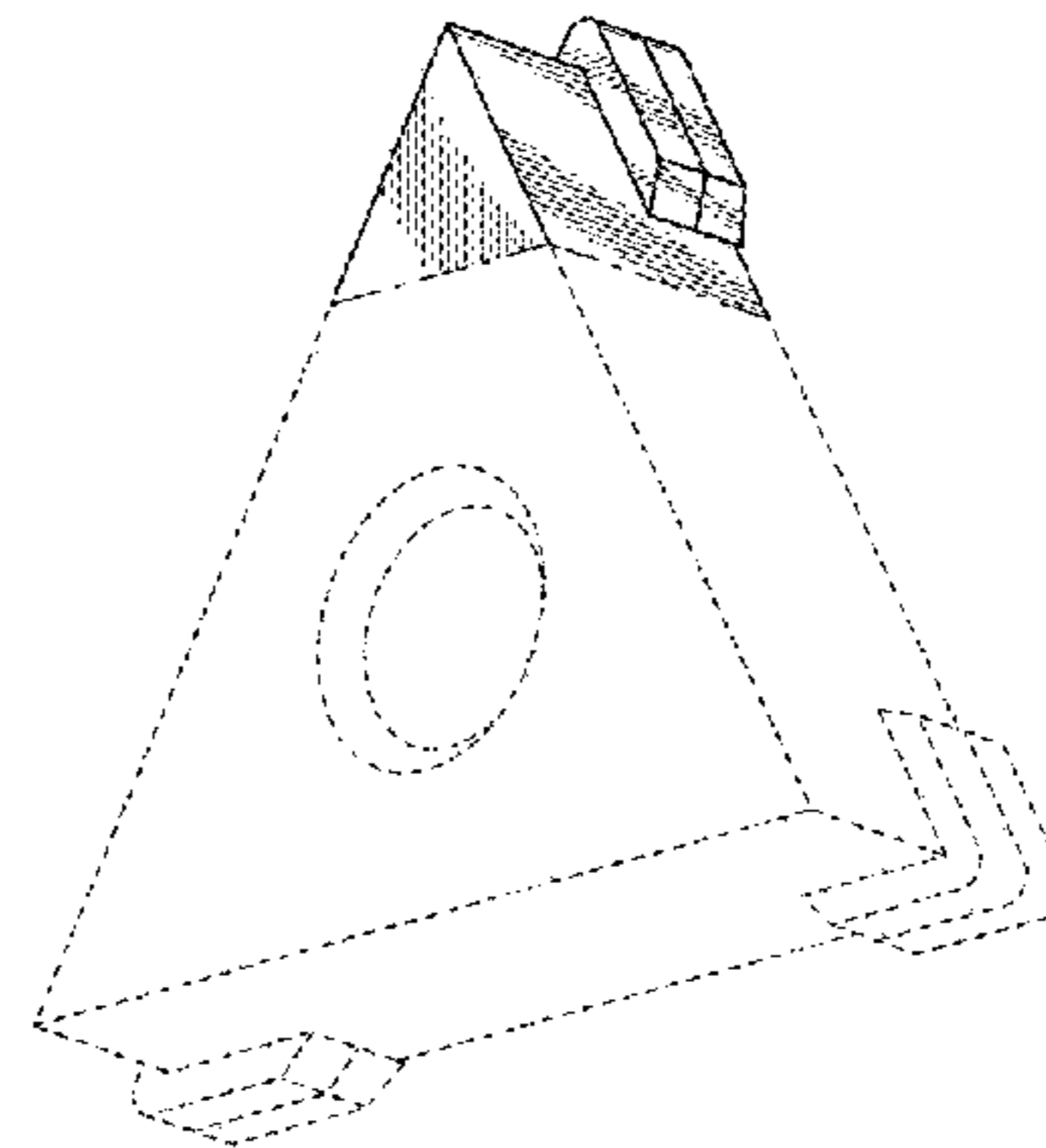
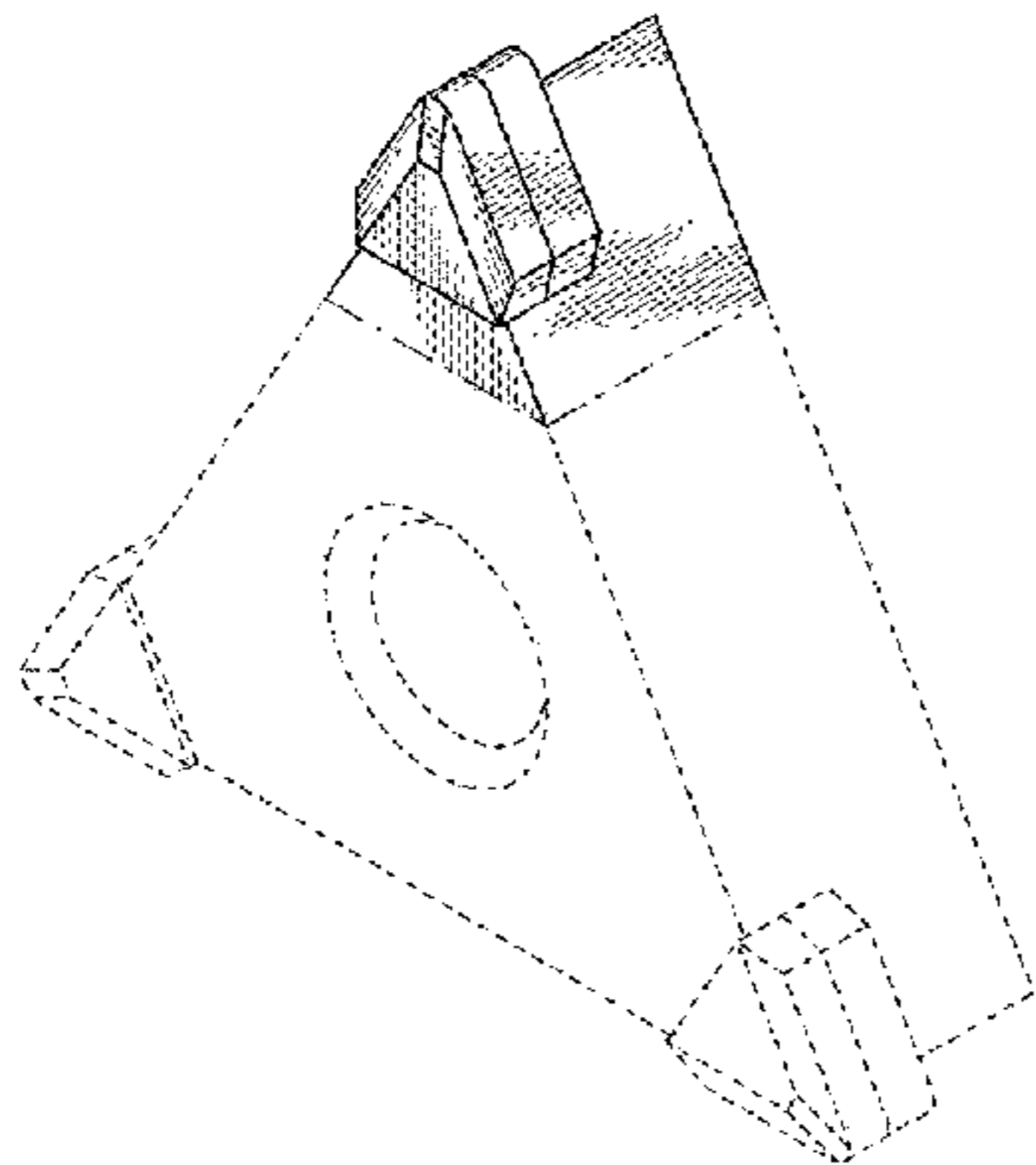
FIG. 15 is a cross sectional view taken along line XV-XV of FIG. 9;

FIG. 16 is a cross sectional view taken along line XVI-XVI of FIG. 9; and,

FIG. 17 is a referential view showing the state in which a workpiece is machined with the throw-away tip for cutting tool according to the first embodiment attached to a holder.

The broken lines in the drawings depict unclaimed environmental subject matter. The long dashed and short dashed

(Continued)



lines shown in the drawings indicate only a boundary between the claimed portion and the unclaimed portion.

1 Claim, 9 Drawing Sheets

(30) Foreign Application Priority Data

Sep. 29, 2016 (JP) 2016-020993
Sep. 29, 2016 (JP) 2016-020994

(58) Field of Classification Search

CPC B23C 5/109; B23C 5/207
See application file for complete search history.

(56) References Cited

U.S. PATENT DOCUMENTS

D475,376 S * 6/2003 Sikstrom D15/139
D475,377 S * 6/2003 Sikstrom D15/139
D475,379 S * 6/2003 Sikstrom D15/139
D475,723 S * 6/2003 Sikstrom D15/139
D475,724 S * 6/2003 Sikstrom D15/139
D475,725 S * 6/2003 Sikstrom D15/139
D476,019 S * 6/2003 Sikstrom D15/139
D541,321 S * 4/2007 Sjoo D15/139
D595,322 S * 6/2009 Sakata D15/139

D595,323 S * 6/2009 Sakata D15/139
D595,751 S * 7/2009 Sakata D15/139
D664,168 S * 7/2012 Okamura D15/139
D787,578 S * 5/2017 Watanobe D15/139
2002/0146292 A1* 10/2002 Shimizu B23B 27/145
407/113
2007/0280790 A1* 12/2007 Kovac B23B 27/1662
407/30
2010/0272525 A1* 10/2010 Corbin B23B 27/141
407/113
2011/0299948 A1* 12/2011 Edler B23B 27/145
407/114

FOREIGN PATENT DOCUMENTS

JP 1553380 S 7/2016
JP 1553381 S 7/2016
JP 1553382 S 7/2016
JP 1553383 S 7/2016
JP 1553384 S 7/2016
JP 1556315 S 8/2016
JP 1556316 S 8/2016
JP 1556536 S 8/2016

OTHER PUBLICATIONS

Notice in counterpart Japanese Design Application No. 2016-020992 dated Dec. 12, 2016.

* cited by examiner

FIG.1

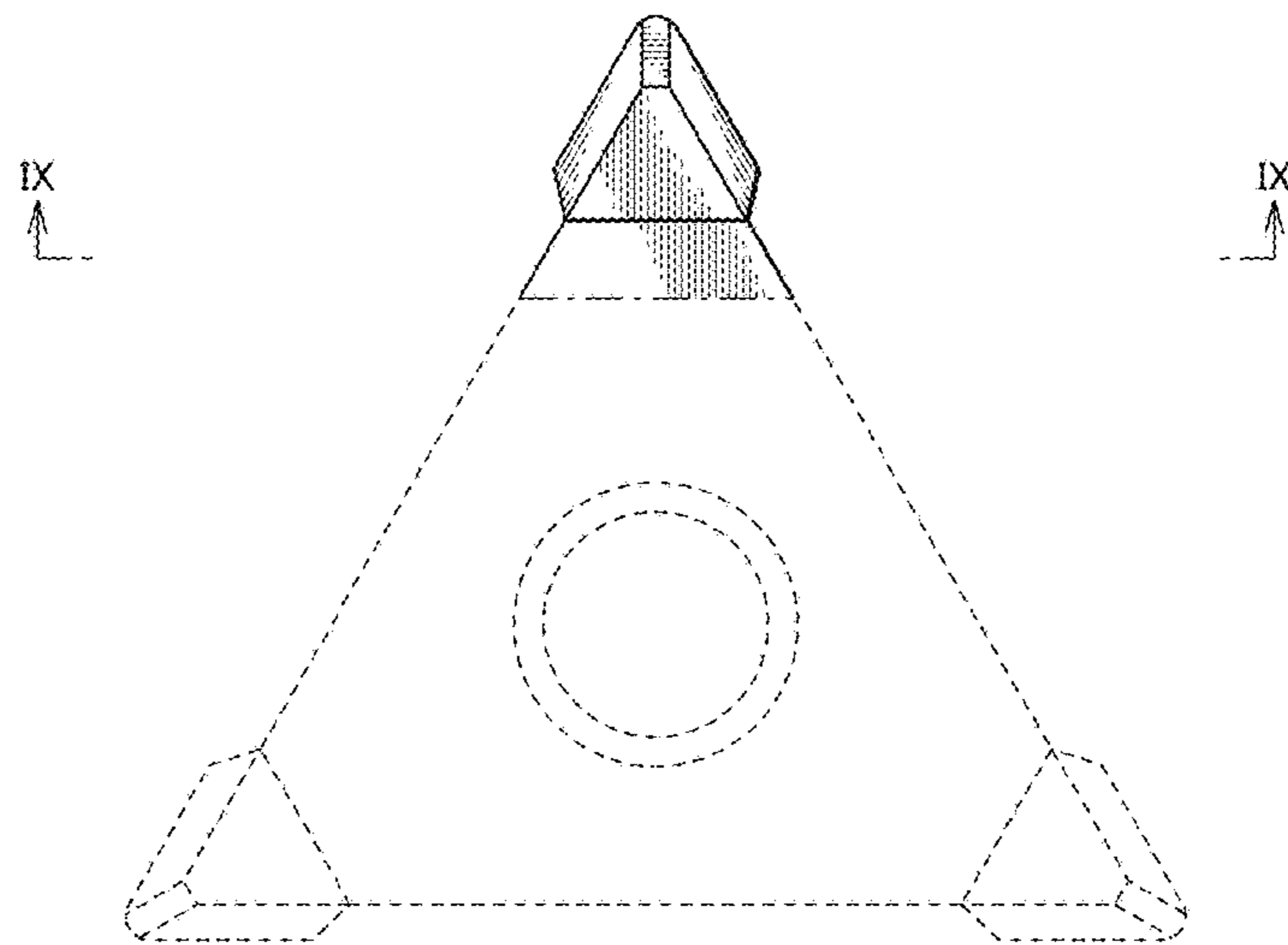


FIG.2

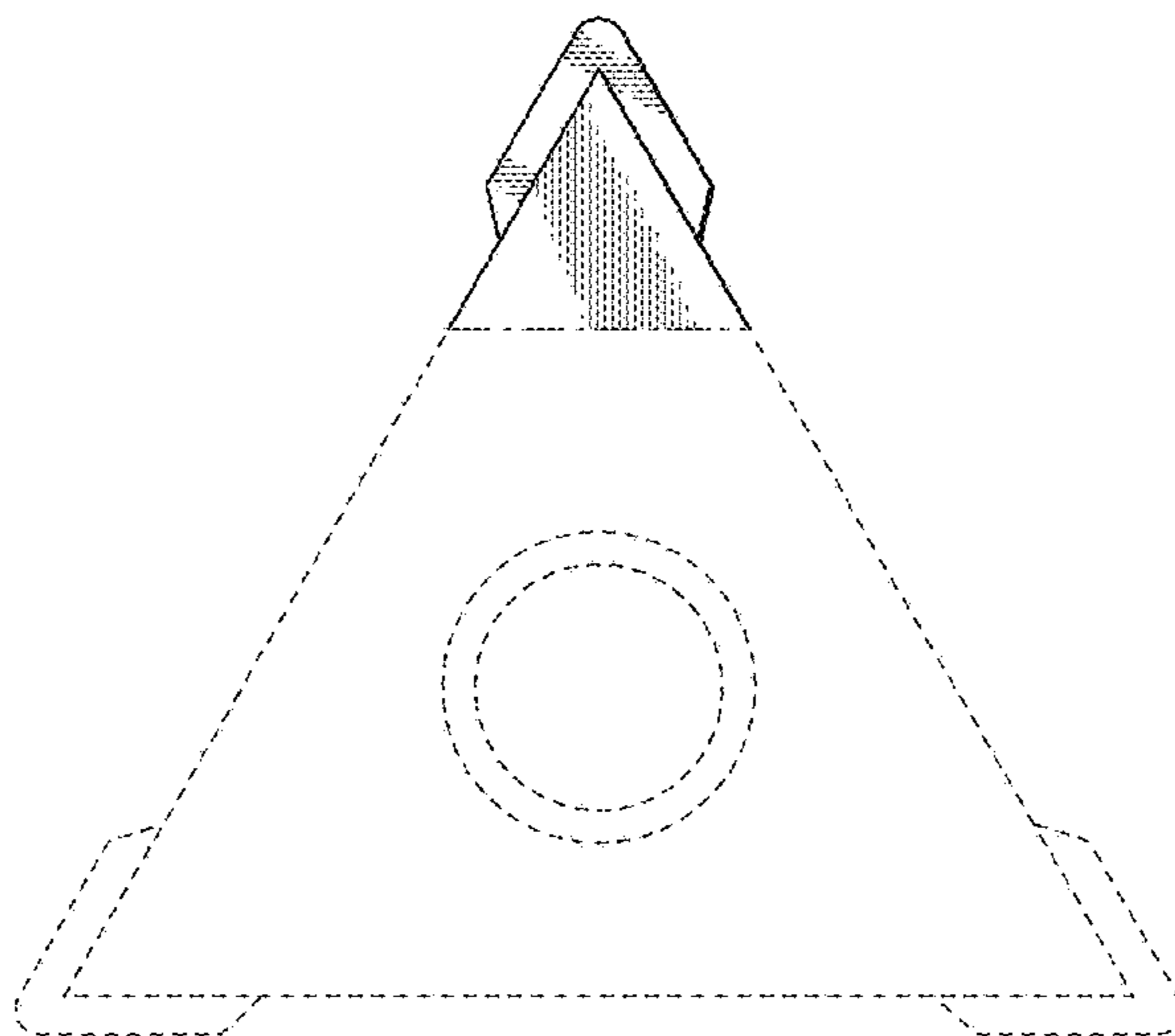


FIG.3

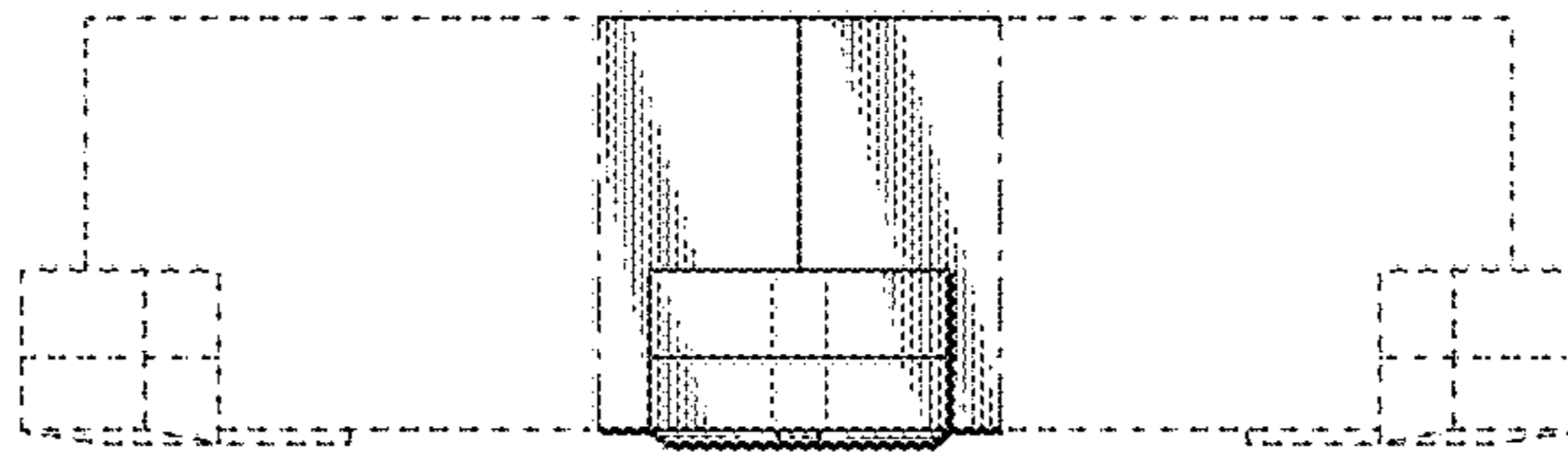


FIG.4

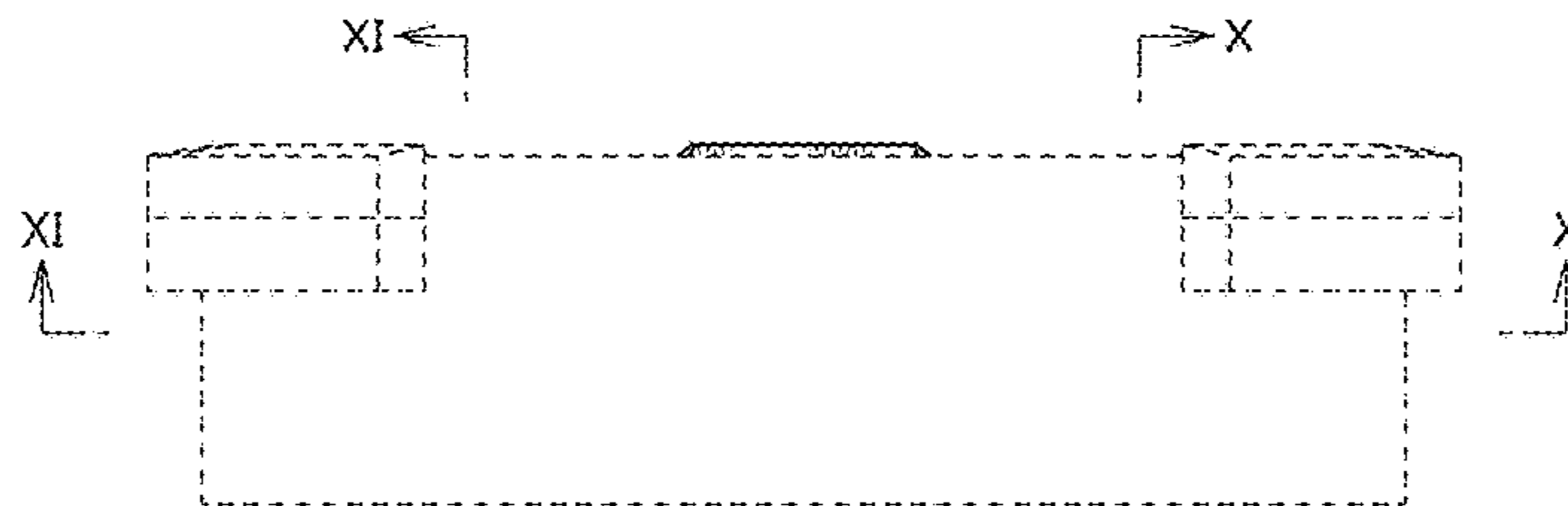


FIG.5

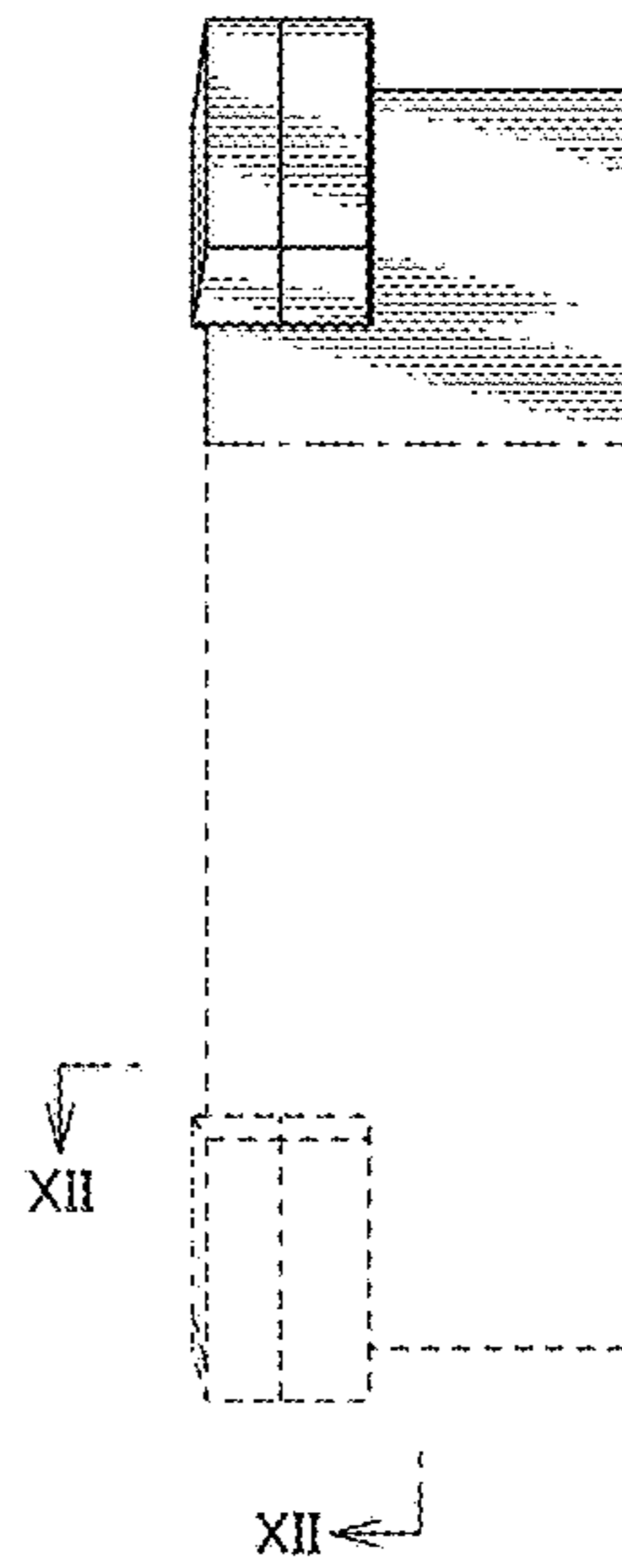


FIG.6

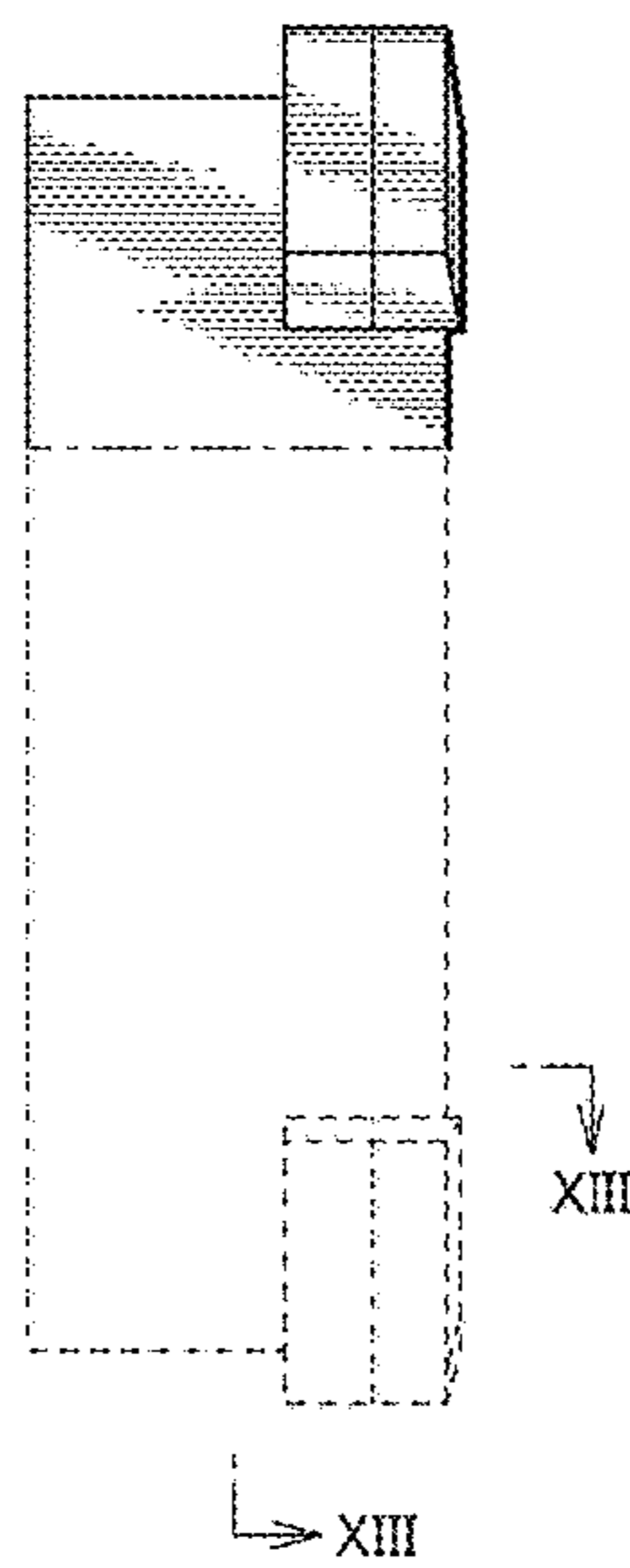


FIG.7

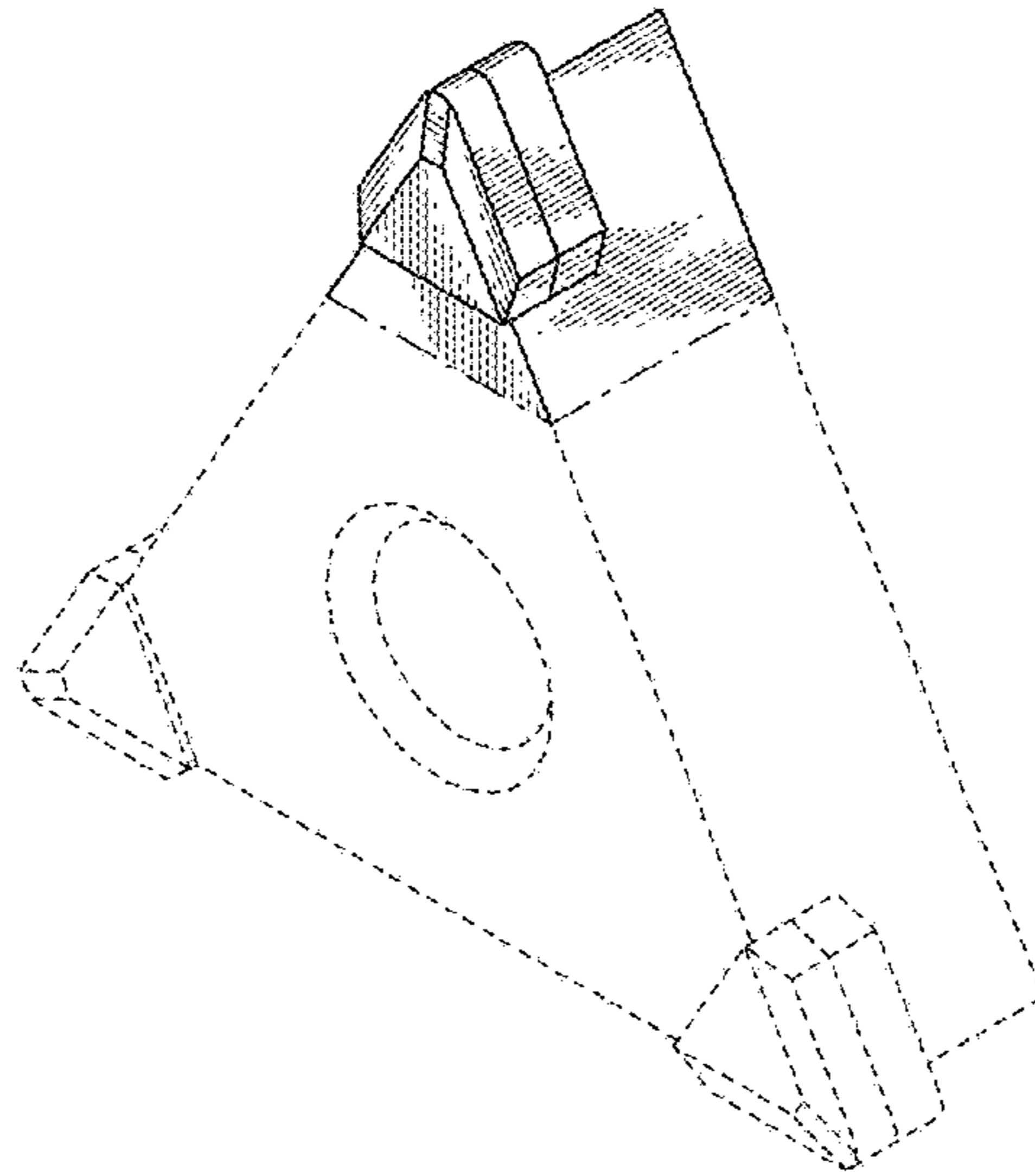


FIG.8

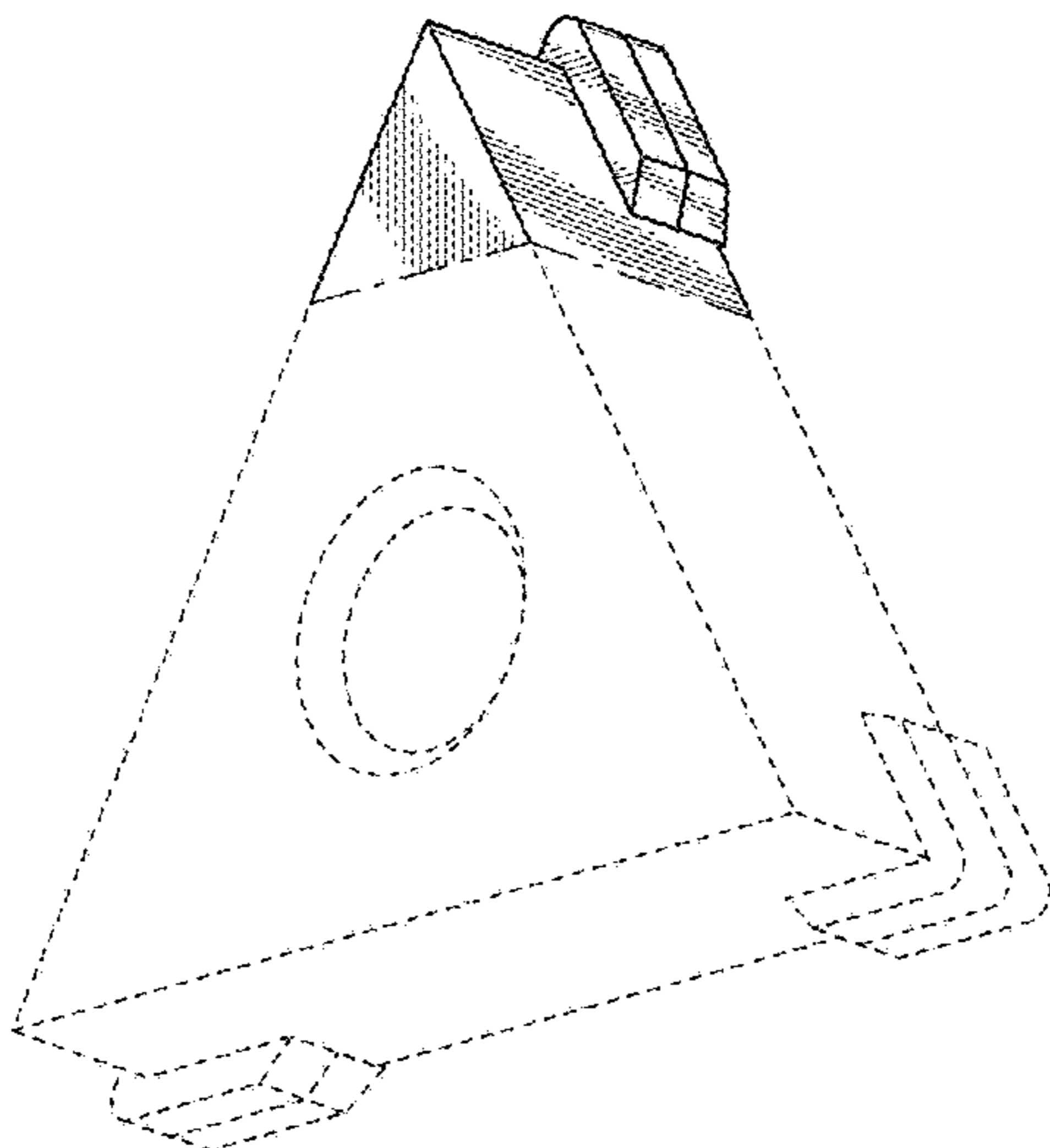


FIG.9

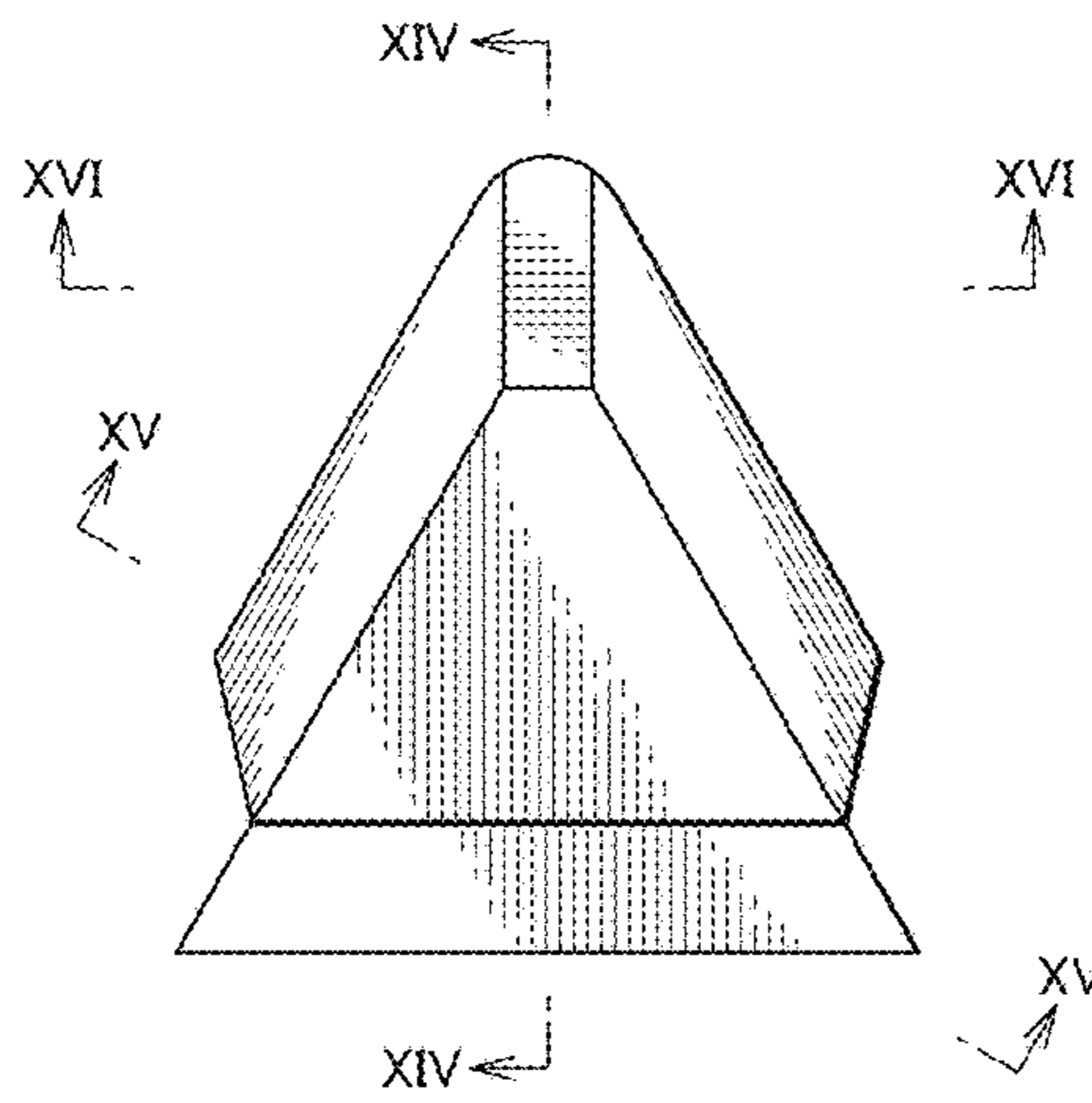


FIG.10

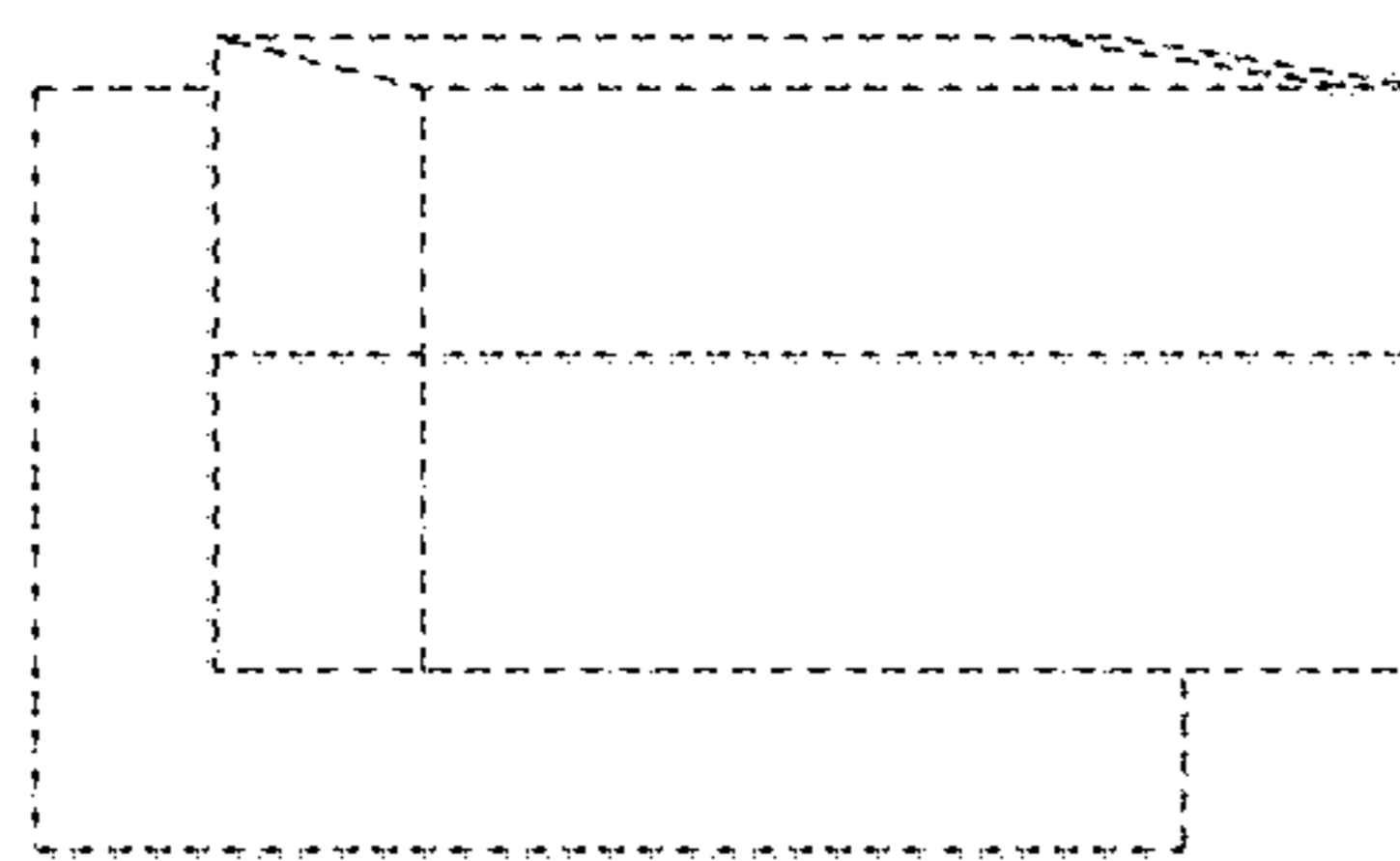


FIG.11

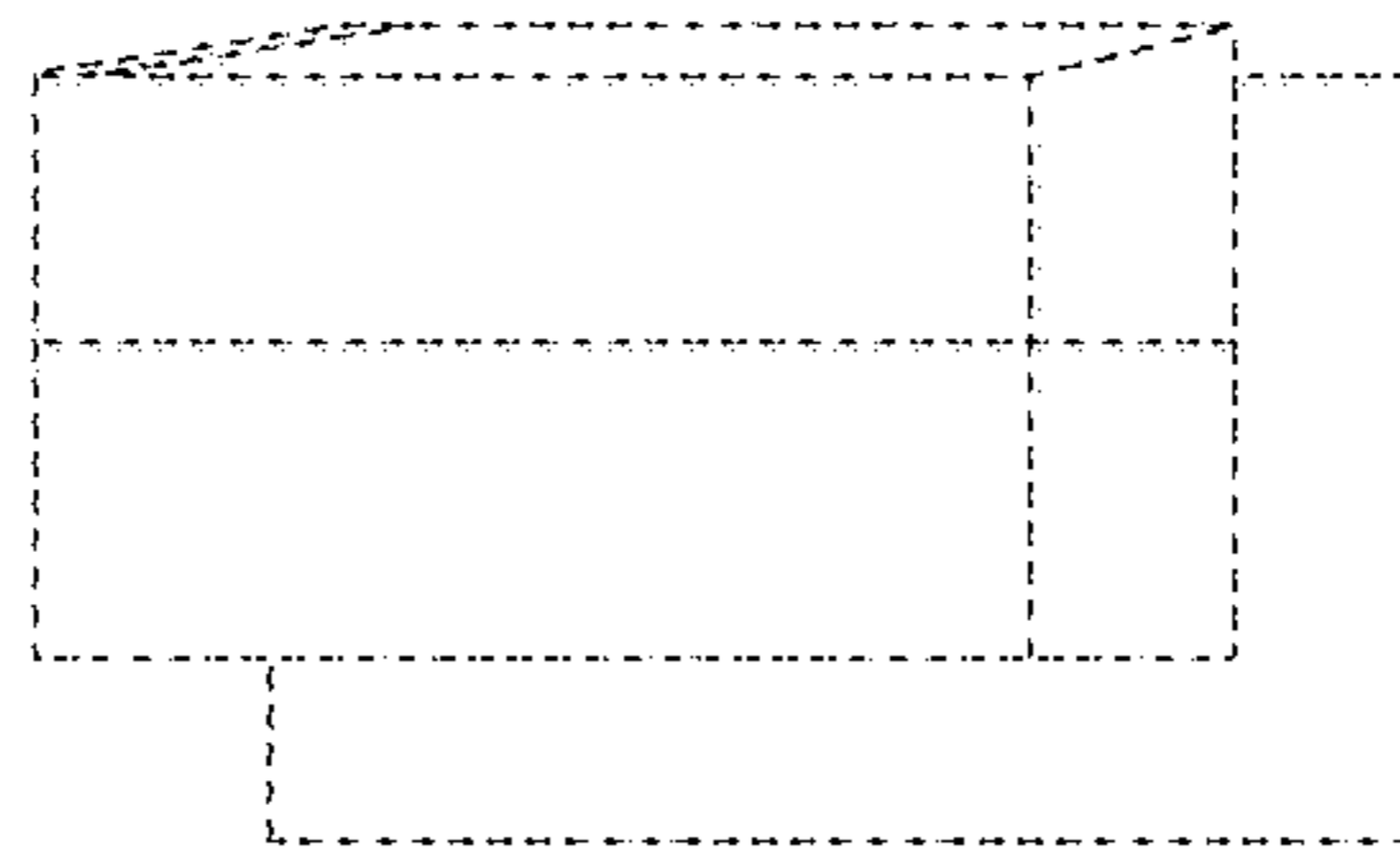


FIG.12

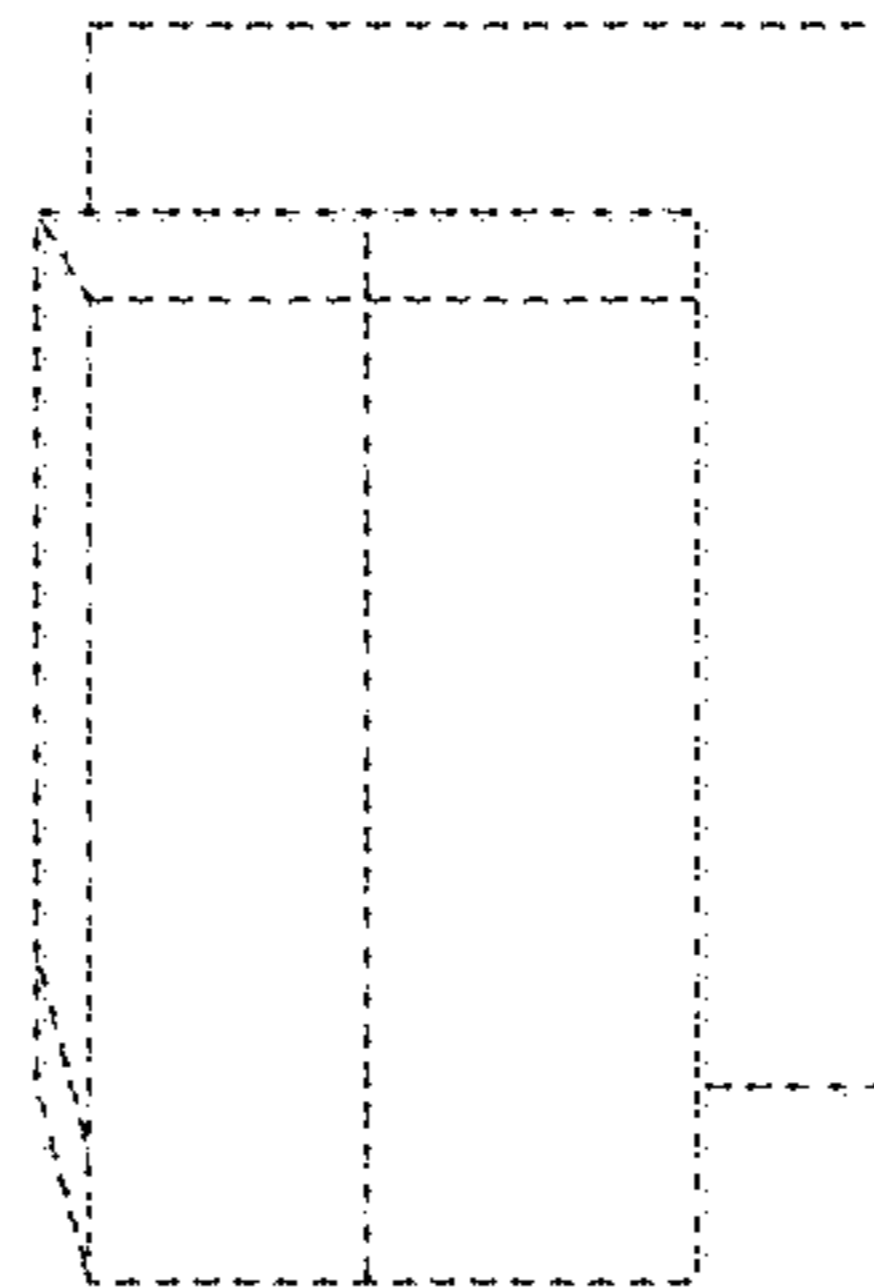


FIG.13

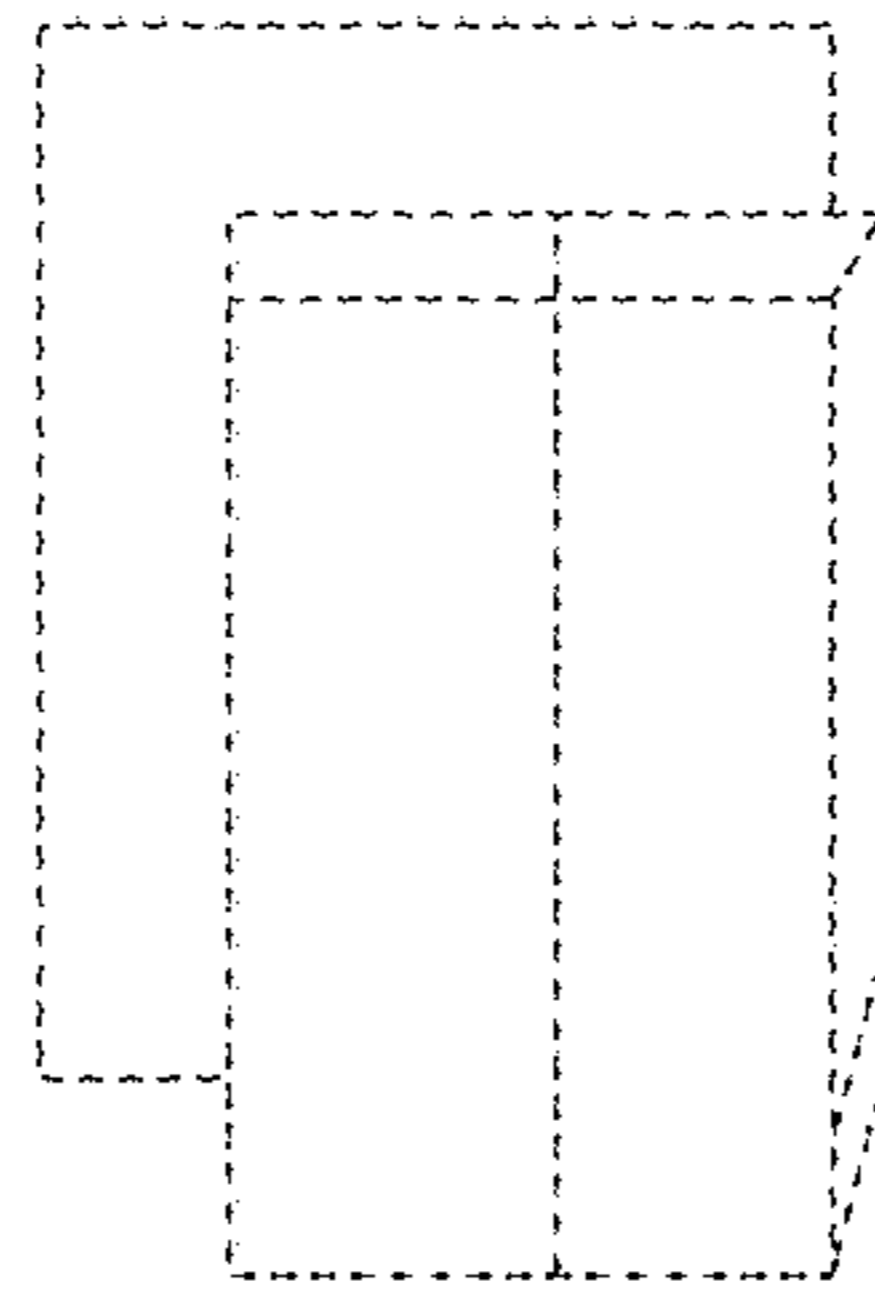


FIG.14

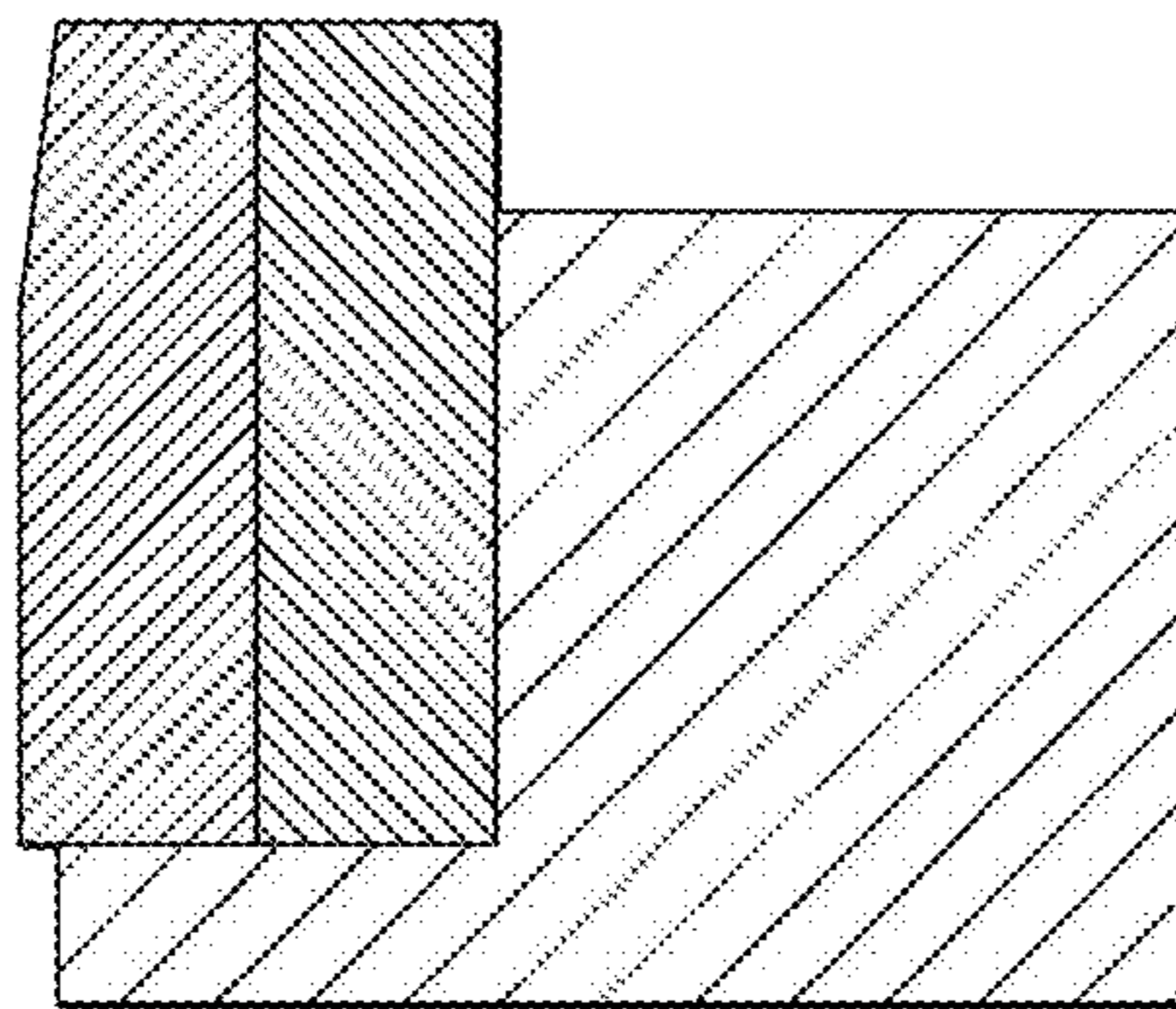


FIG.15

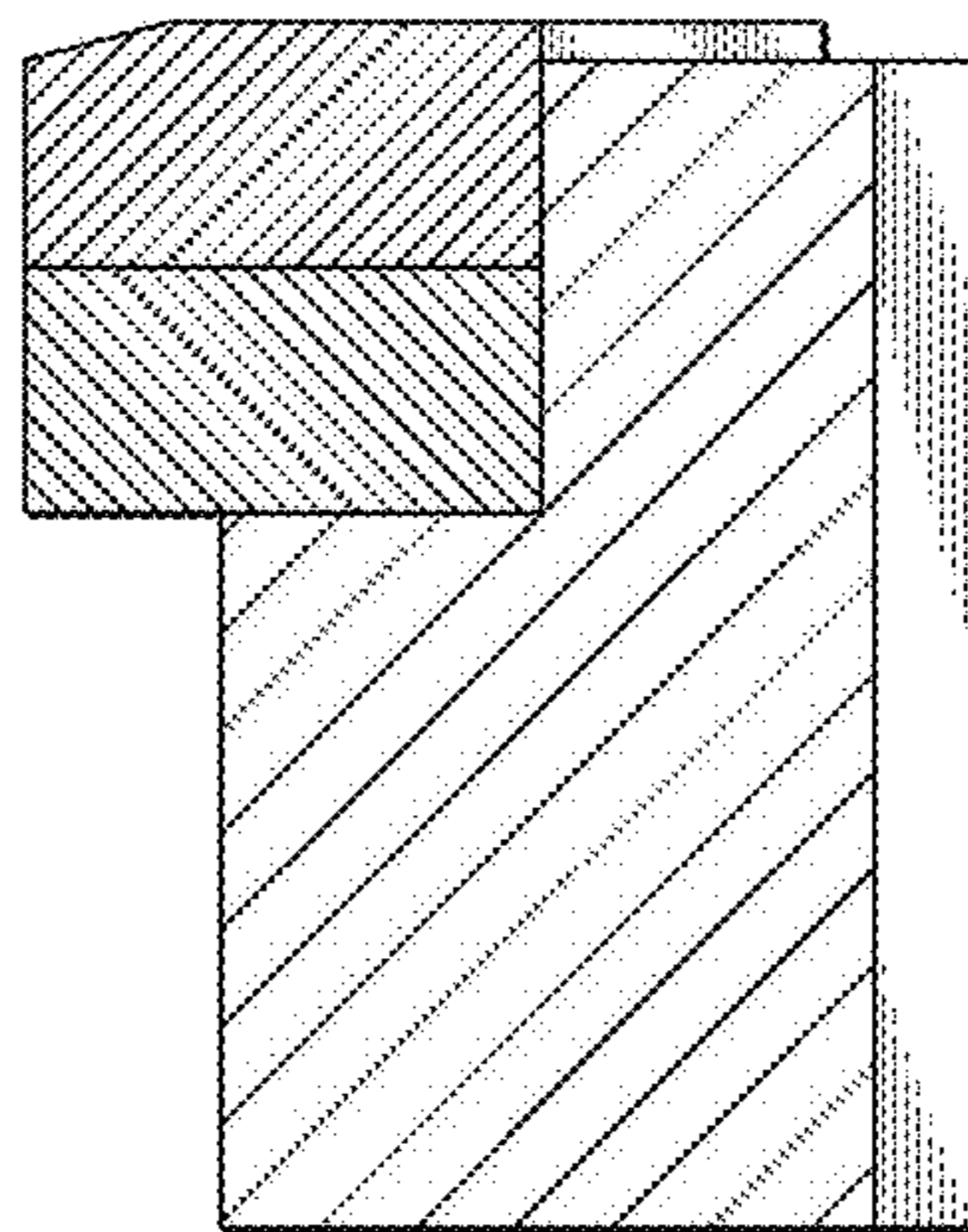


FIG.16

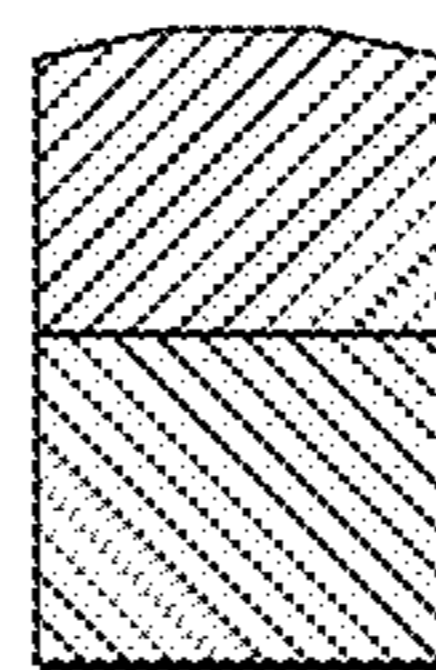
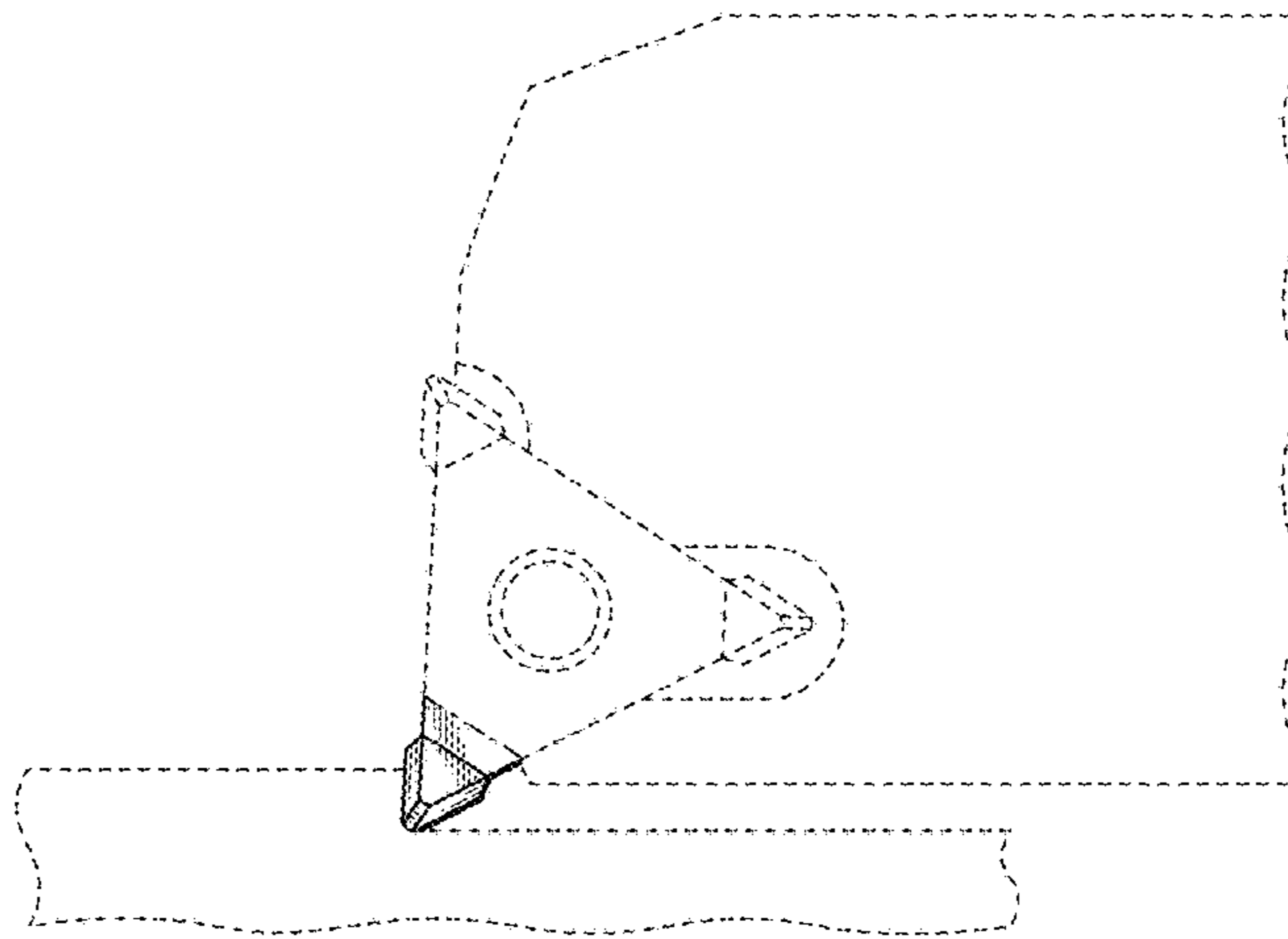


FIG.17



UNITED STATES PATENT AND TRADEMARK OFFICE
CERTIFICATE OF CORRECTION

PATENT NO. : D841,704 S
APPLICATION NO. : 29/598868
DATED : February 26, 2019
INVENTOR(S) : Kazuo Maeda

Page 1 of 1

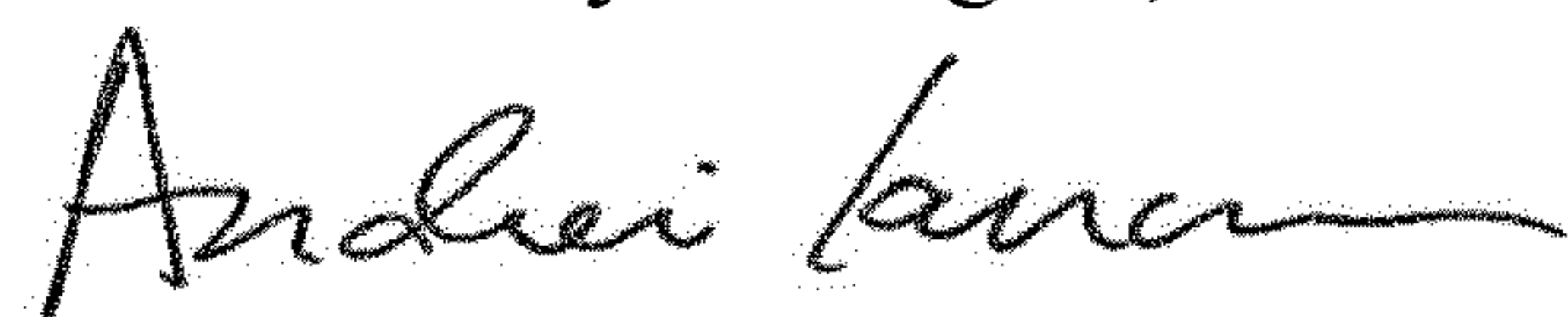
It is certified that error appears in the above-identified patent and that said Letters Patent is hereby corrected as shown below:

On the Title Page

Item (57) under DESCRIPTION, please delete “first” in the third line of the description of Figure 17 as follows:

“FIG. 17 is a referential view showing the state in which a workpiece is machined with the throw-away tip for cutting tool according to the first embodiment attached to a holder.” should read -- FIG. 17 is a referential view showing the state in which a workpiece is machined with the throw-away tip for cutting tool according to the embodiment attached to a holder. --.

Signed and Sealed this
Sixth Day of August, 2019



Andrei Iancu
Director of the United States Patent and Trademark Office