



US00D841703S

(12) **United States Design Patent**
Igarashi et al.

(10) **Patent No.:** **US D841,703 S**

(45) **Date of Patent:** **** Feb. 26, 2019**

(54) **CORE FOR ROTARY ELECTRIC MACHINE**

Primary Examiner — Patricia A Palasik

(71) Applicants: **SUMITOMO ELECTRIC
SINTERED ALLOY, LTD.**,
Takahashi-shi (JP); **Sumitomo Electric
Industries, Ltd.**, Osaka-shi (JP)

(74) *Attorney, Agent, or Firm* — Venable LLP; Michael
A. Sartori; Laura G. Remus

(72) Inventors: **Naoto Igarashi**, Itami (JP); **Shinichi
Hirono**, Itami (JP); **Tomoyuki Ueno**,
Itami (JP); **Asako Watanabe**, Itami (JP)

(57) **CLAIM**

The ornamental design for a core for rotary electric machine,
as shown and described.

(73) Assignees: **Sumitomo Electric Sintered Alloy,
Ltd.**, Takahashi-shi (JP); **Sumitomo
Electric Industries, Ltd.**, Osaka-shi
(JP)

DESCRIPTION

(**) Term: **15 Years**

FIG. 1 is a perspective view of a first embodiment of a core
for rotary electric machine showing our new design;

(21) Appl. No.: **29/584,908**

FIG. 2 is a front view thereof;

(22) Filed: **Nov. 18, 2016**

FIG. 3 is a rear view thereof;

(30) **Foreign Application Priority Data**

May 19, 2016 (JP) 2016-010705
May 19, 2016 (JP) 2016-010706

(Continued)

(51) **LOC (11) Cl.** **15-09**

(52) **U.S. Cl.**
USPC **D15/138**

(58) **Field of Classification Search**
USPC D15/126, 138, 141

(Continued)

(56) **References Cited**

U.S. PATENT DOCUMENTS

D443,585 S * 6/2001 Shida D13/122
D552,543 S * 10/2007 Su D13/118

(Continued)

FOREIGN PATENT DOCUMENTS

JP 2011-030334 A 2/2011
JP 2011-091933 A 5/2011

FIG. 4 is a left side view thereof;

FIG. 5 is a right side view thereof;

FIG. 6 is a top view thereof;

FIG. 7 is a bottom view thereof;

FIG. 8 is a cross-sectional view thereof taken along the line
8-8 in FIG. 6;

FIG. 9 is a cross-sectional view thereof taken along the line
9-9 in FIG. 6;

FIG. 10 is a perspective view of the core for rotary electric
machine in a condition of use.

FIG. 11 is a perspective view of a second embodiment of a
core for rotary electric machine showing our new design;

FIG. 12 is a front view thereof;

FIG. 13 is a rear view thereof;

FIG. 14 is a left side view thereof;

FIG. 15 is a right side view thereof;

FIG. 16 is a top view thereof;

FIG. 17 is a bottom view thereof;

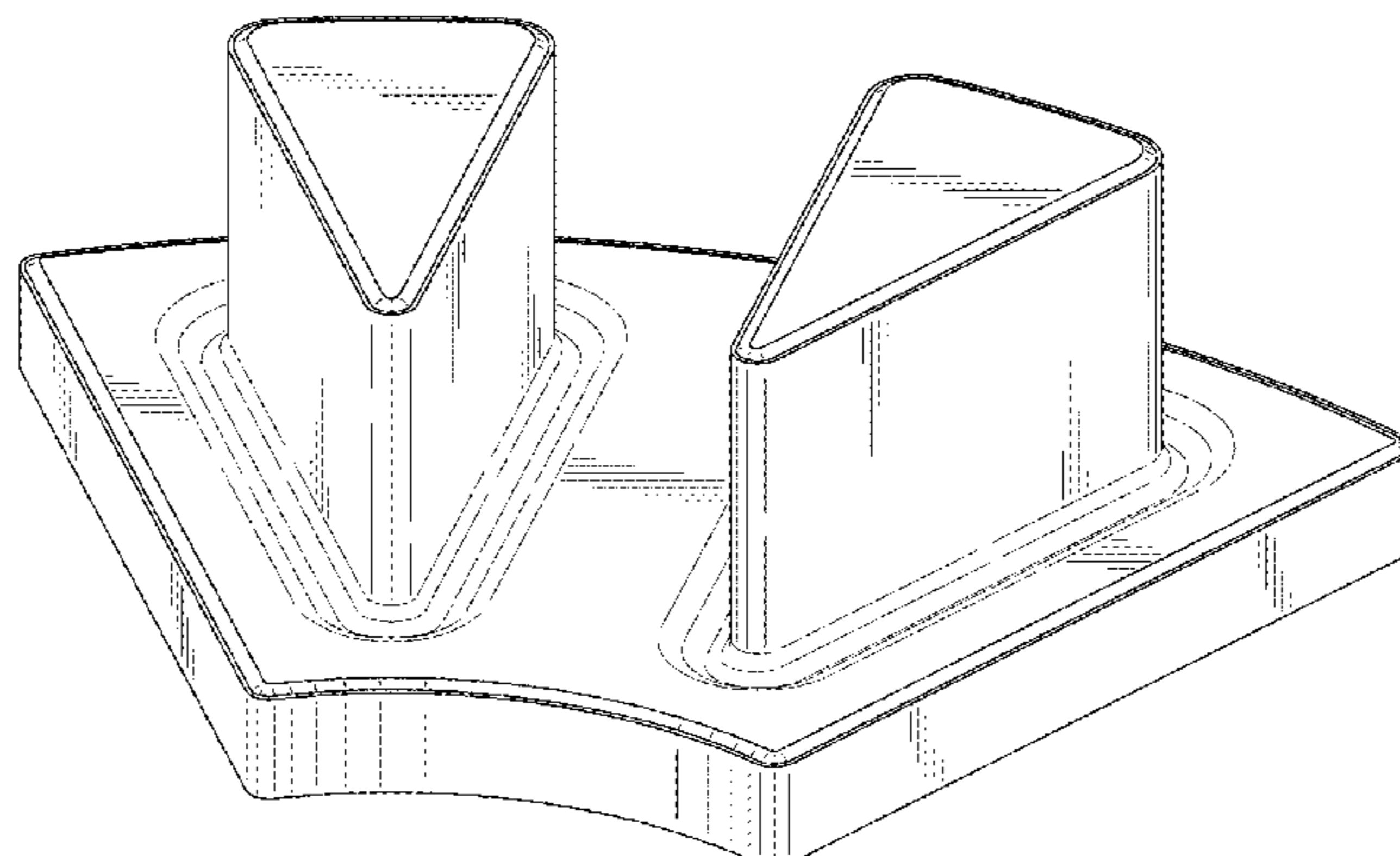
FIG. 18 is a cross-sectional view thereof taken along the line
18-18 in FIG. 16;

FIG. 19 is a cross-sectional view thereof taken along the line
19-19 in FIG. 16; and,

FIG. 20 is a perspective view of the core for rotary electric
machine in a condition of use.

The broken lines in the figures are included for the purpose
of illustrating the unclaimed portions of the core for rotary

(Continued)



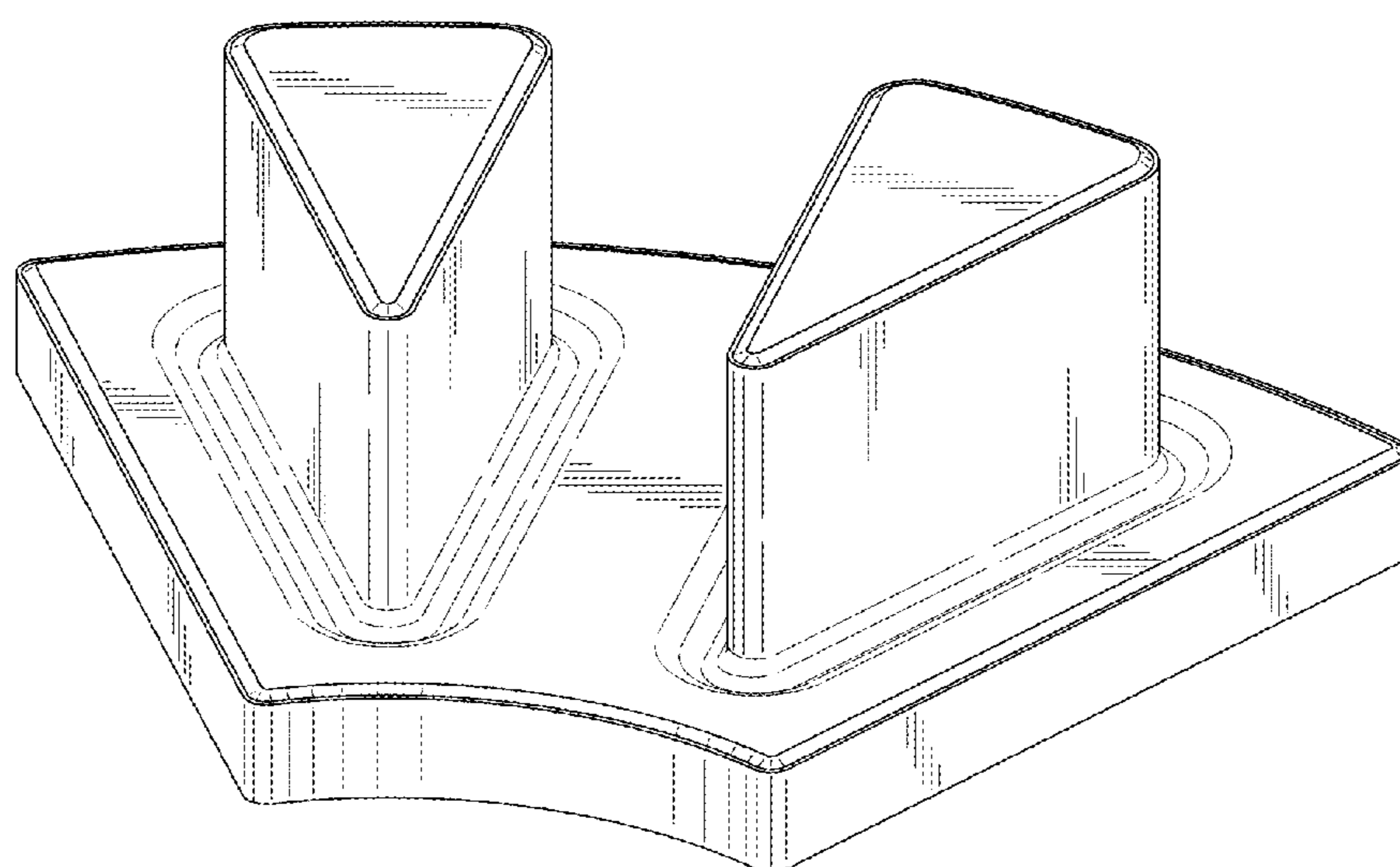


FIG. 1

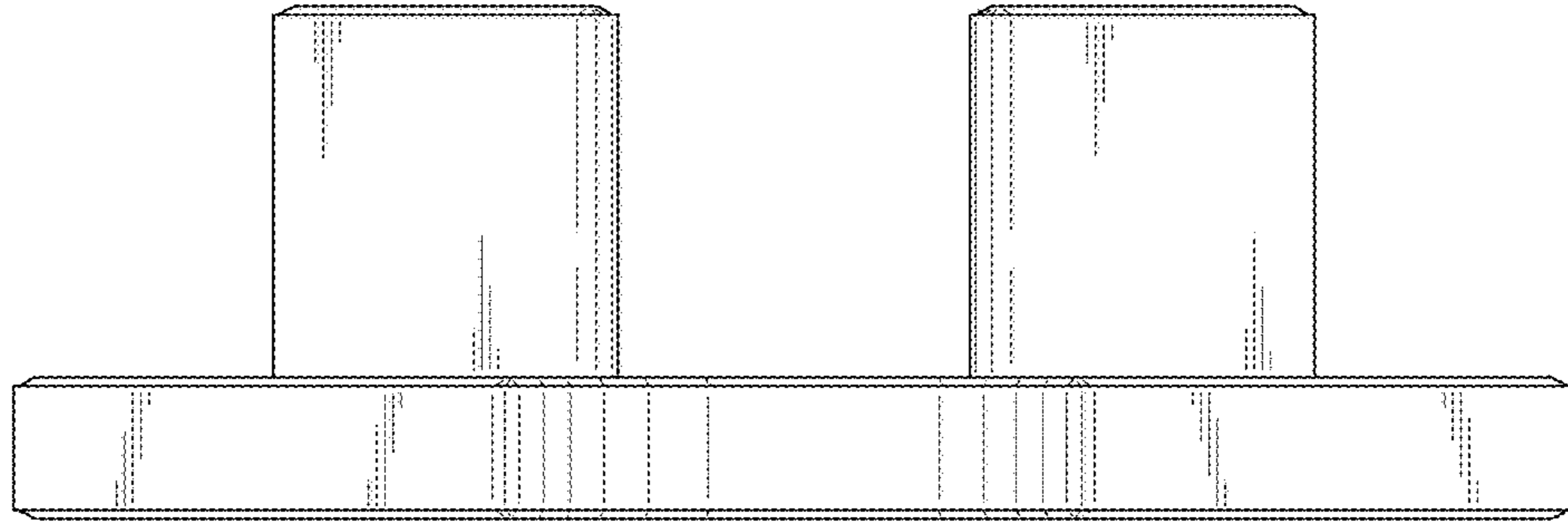


FIG. 2

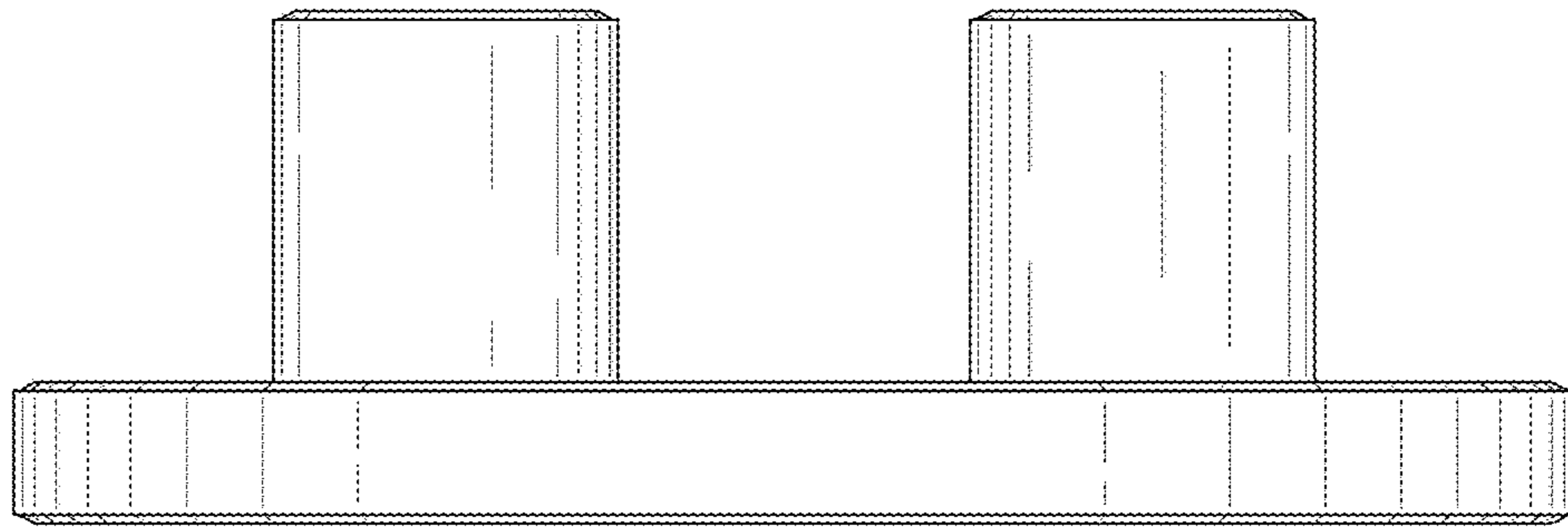


FIG. 3

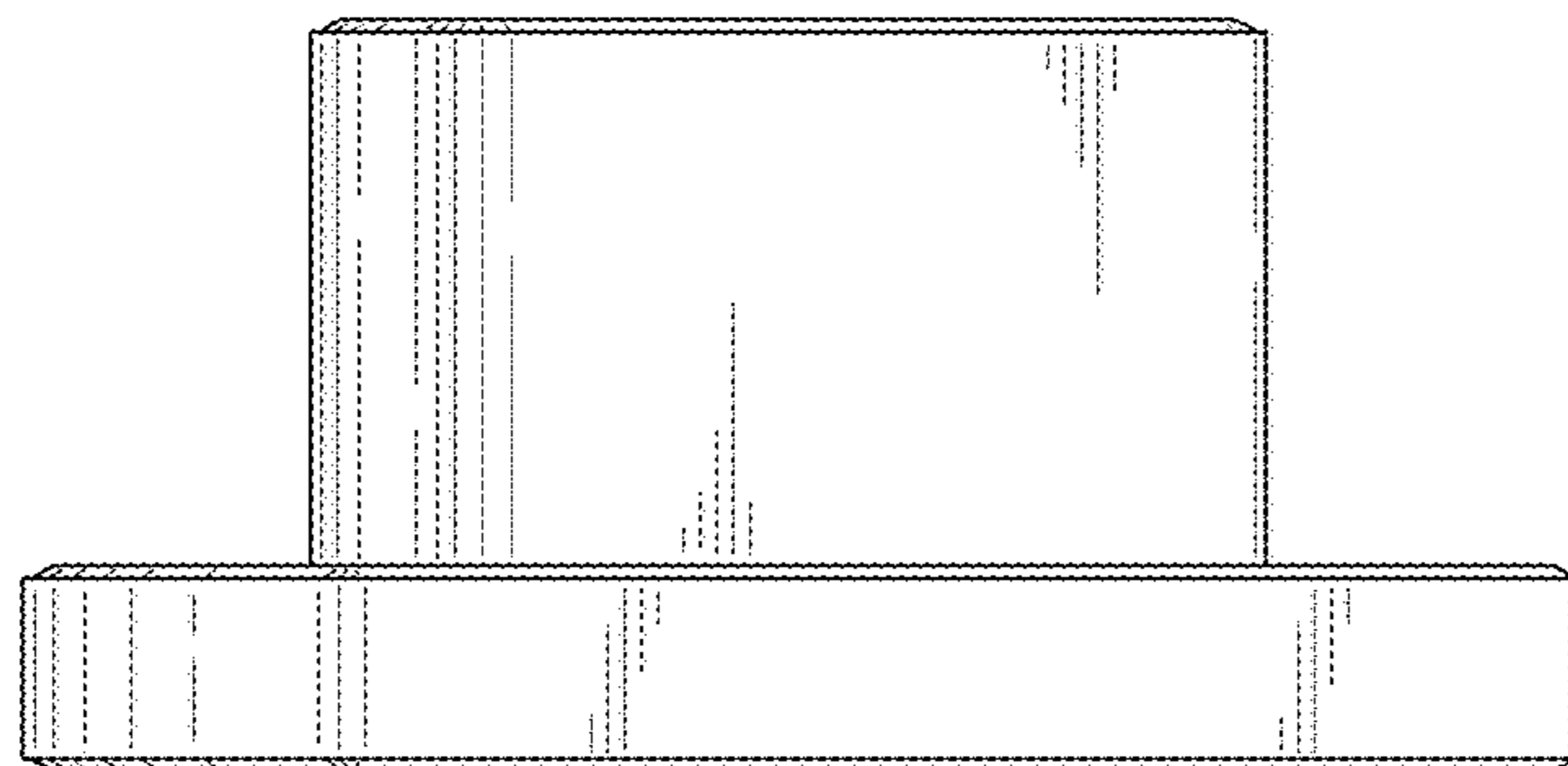


FIG. 4

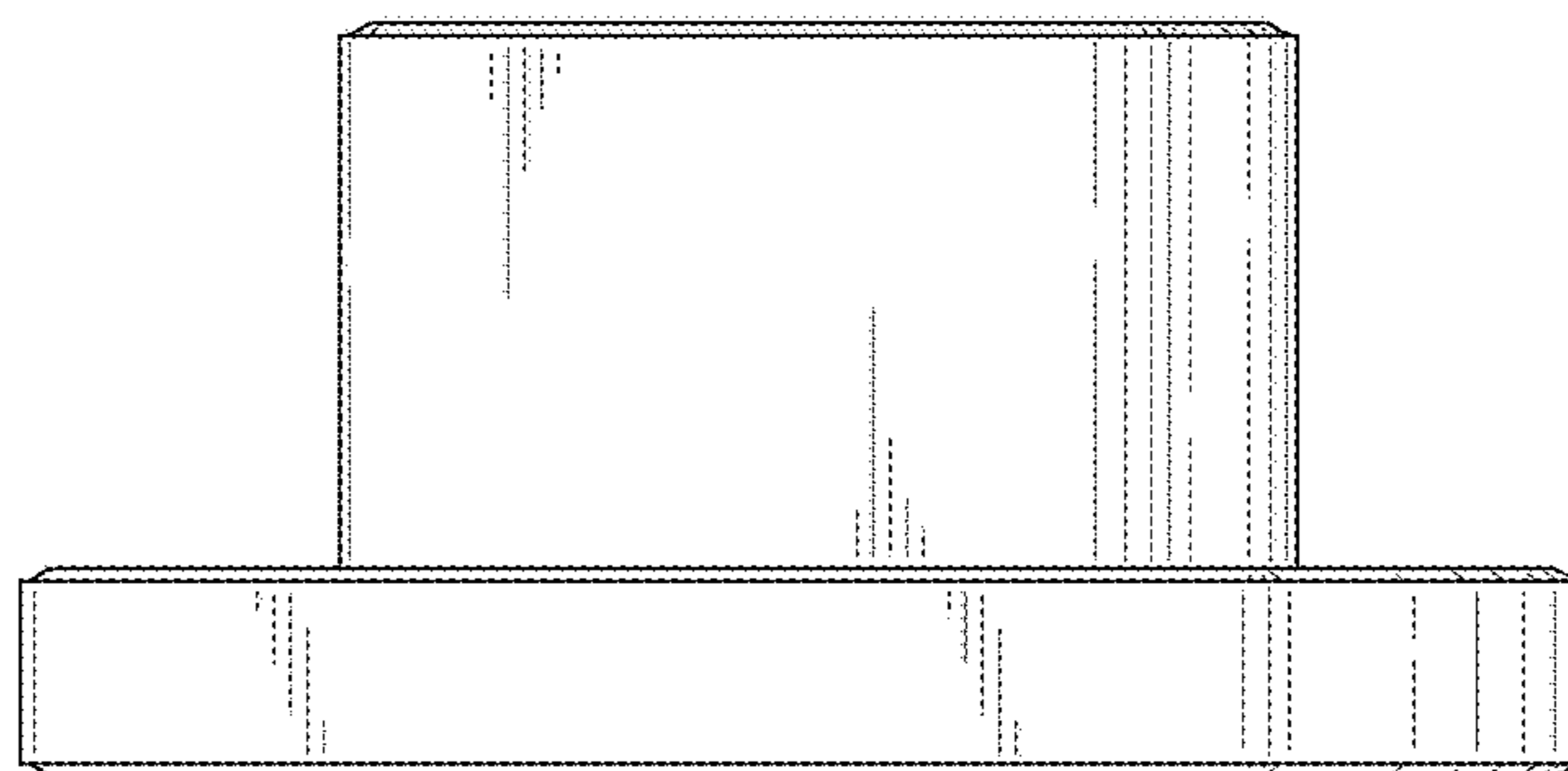
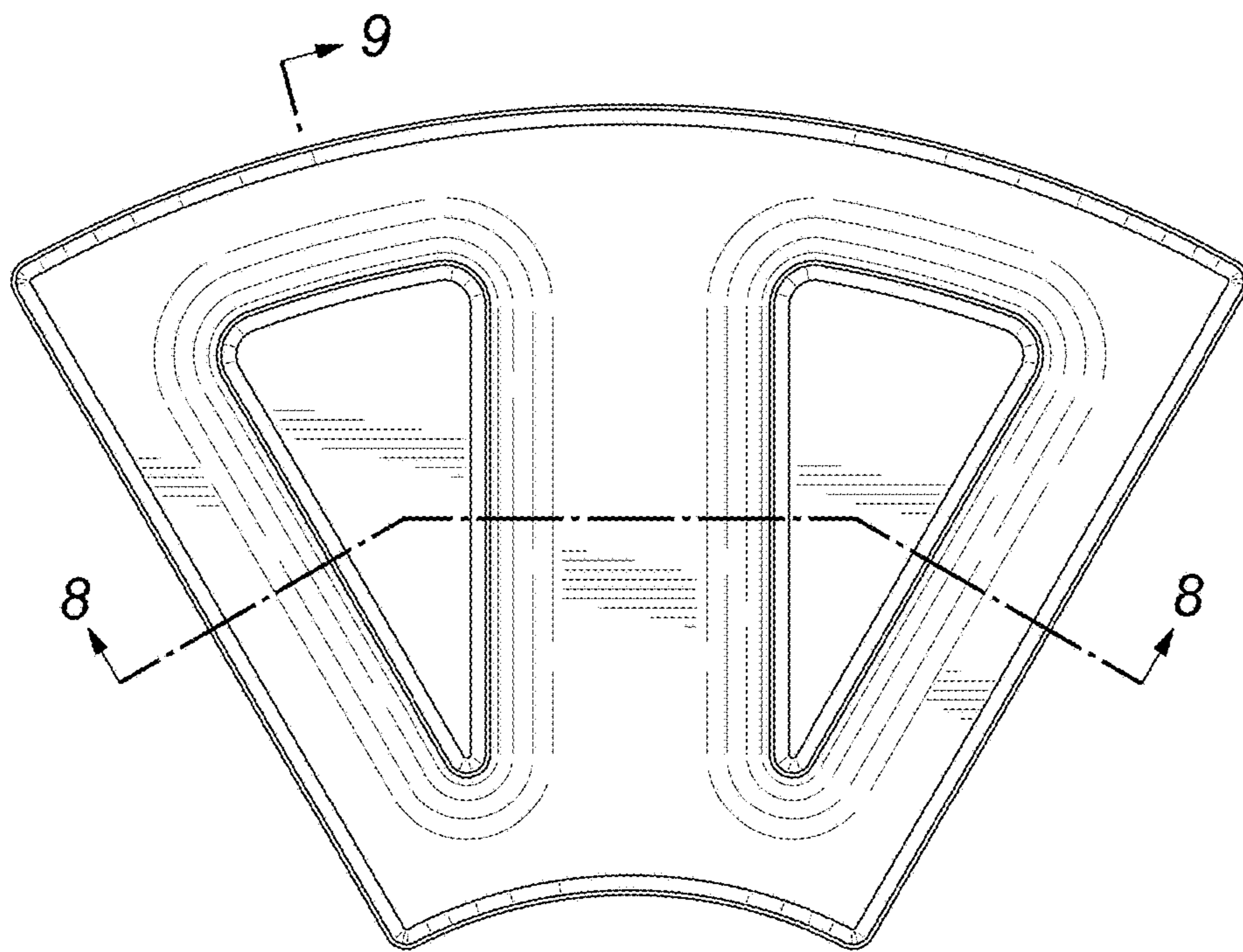


FIG. 5



9

FIG. 6

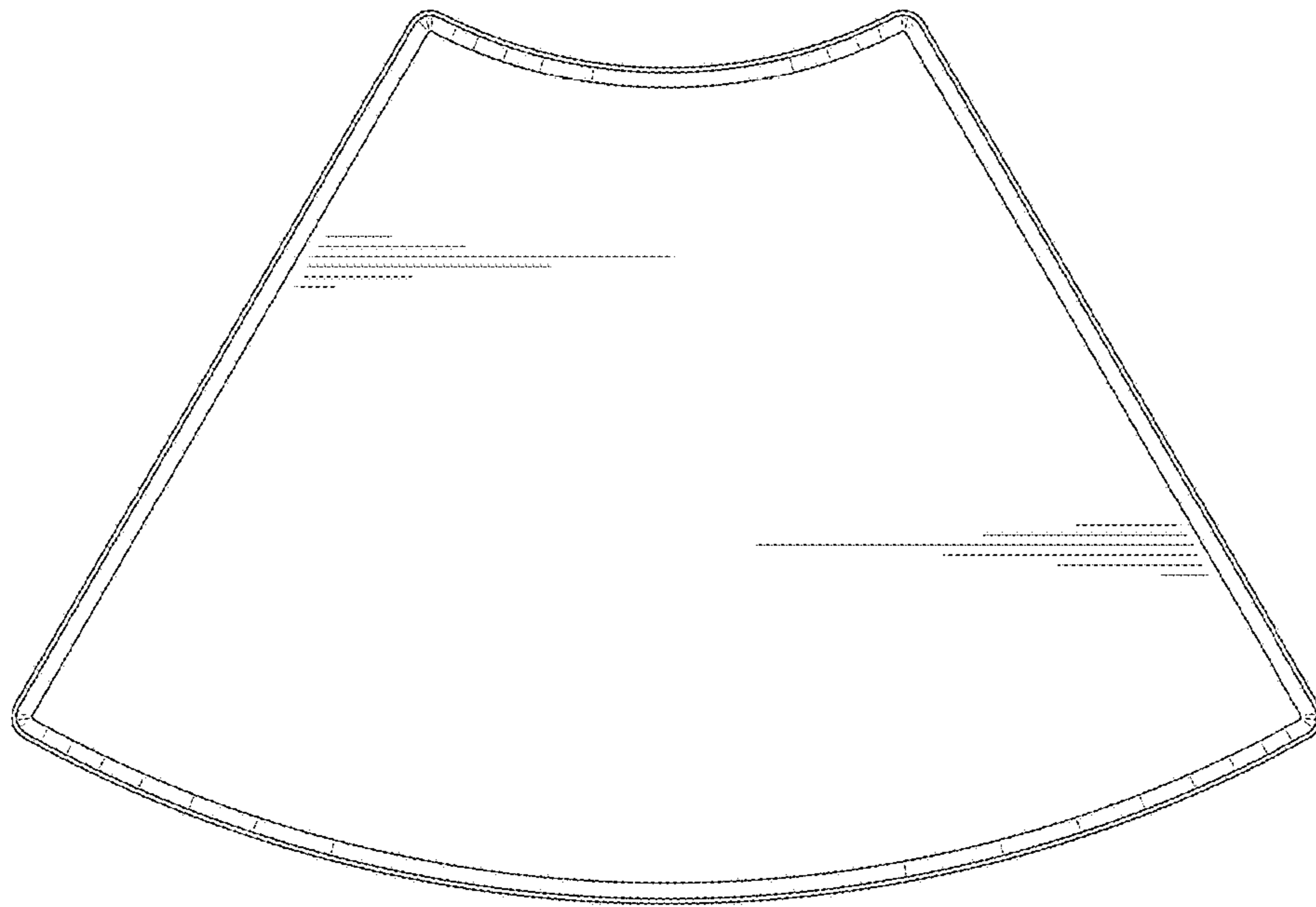


FIG. 7

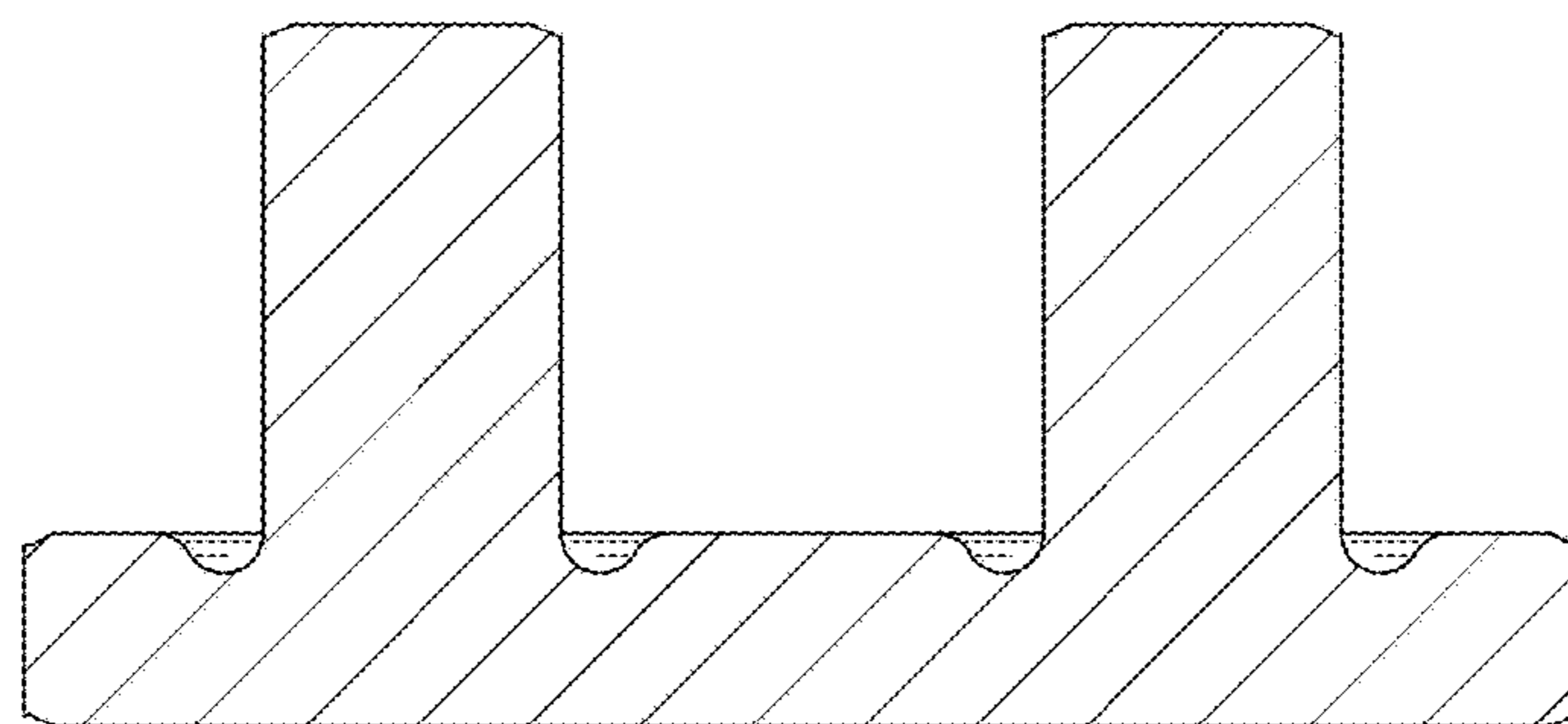


FIG. 8

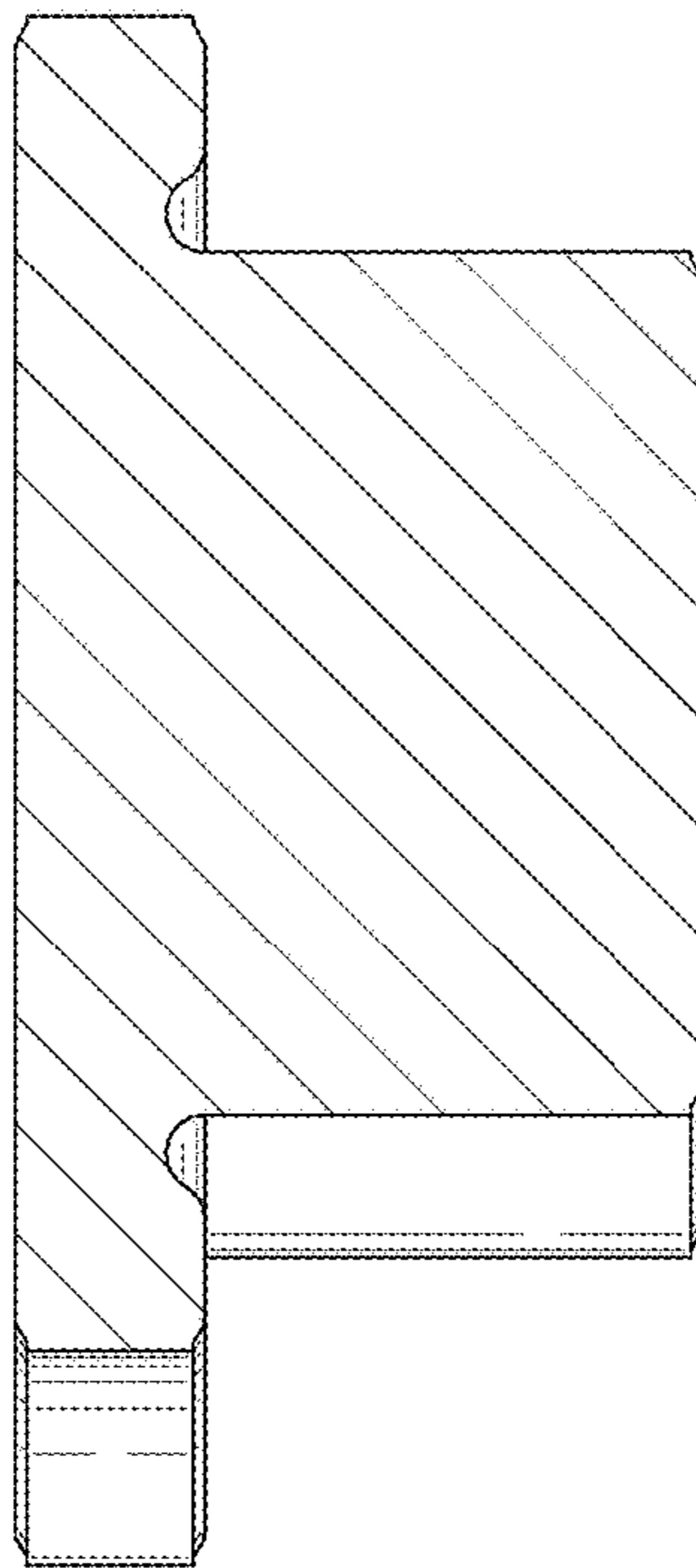


FIG. 9

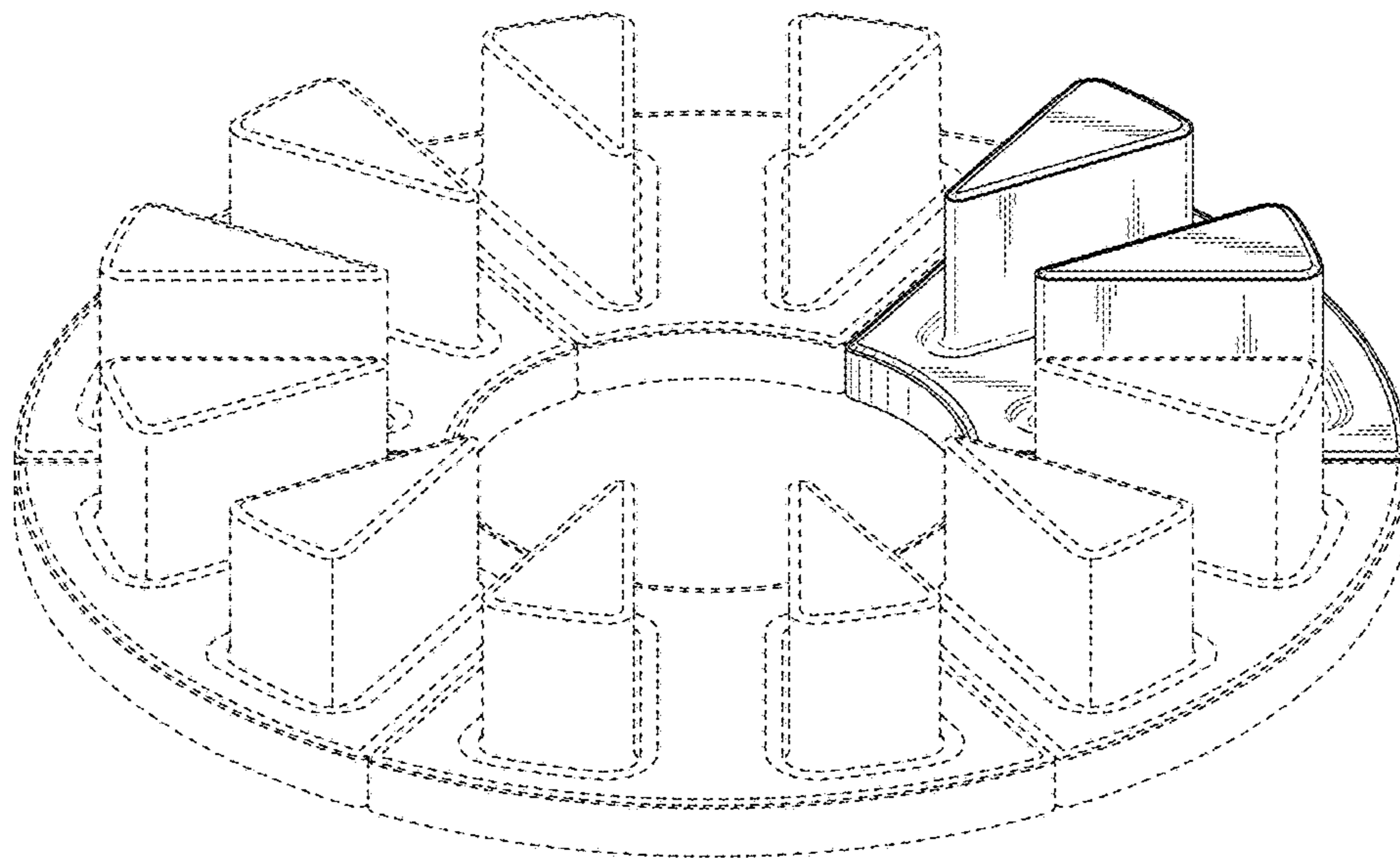


FIG. 10

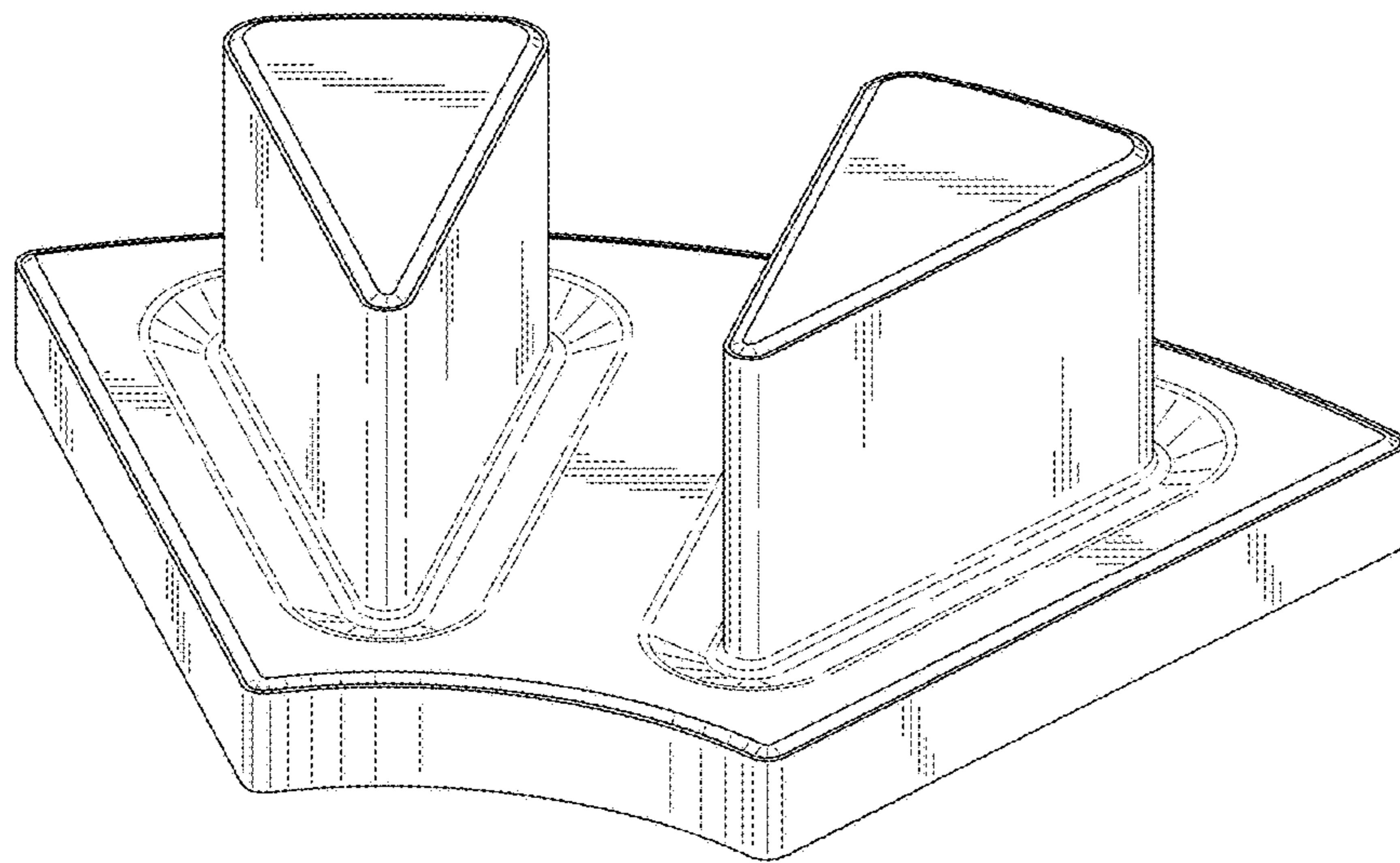


FIG. 11

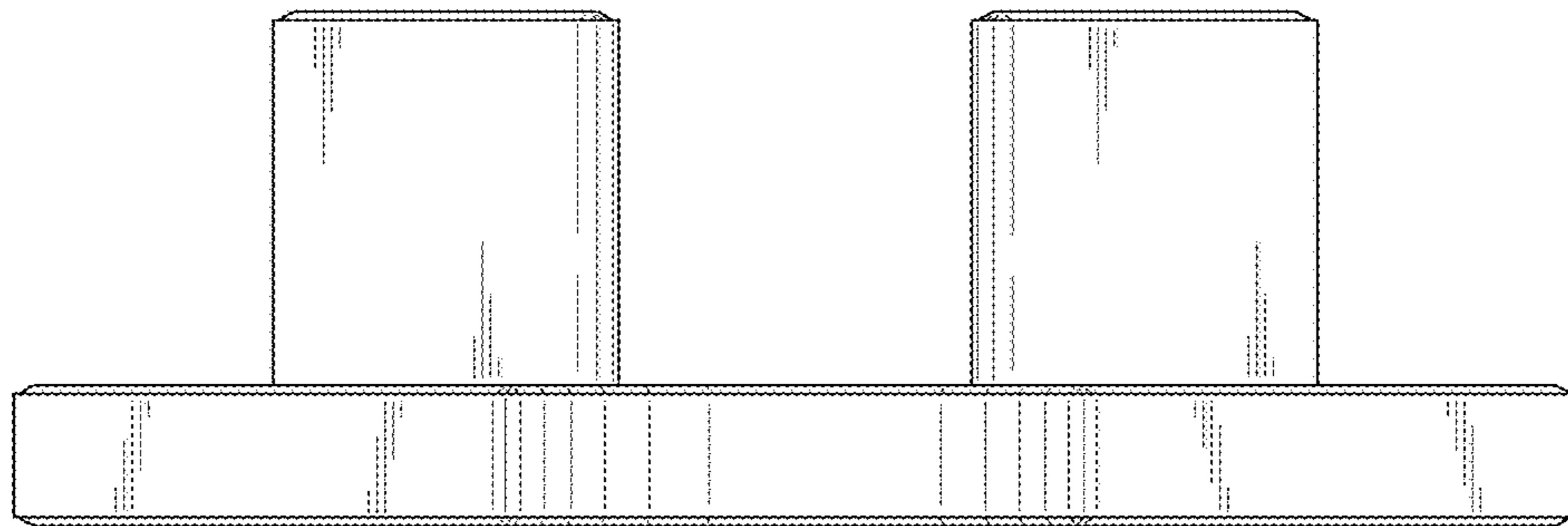


FIG. 12

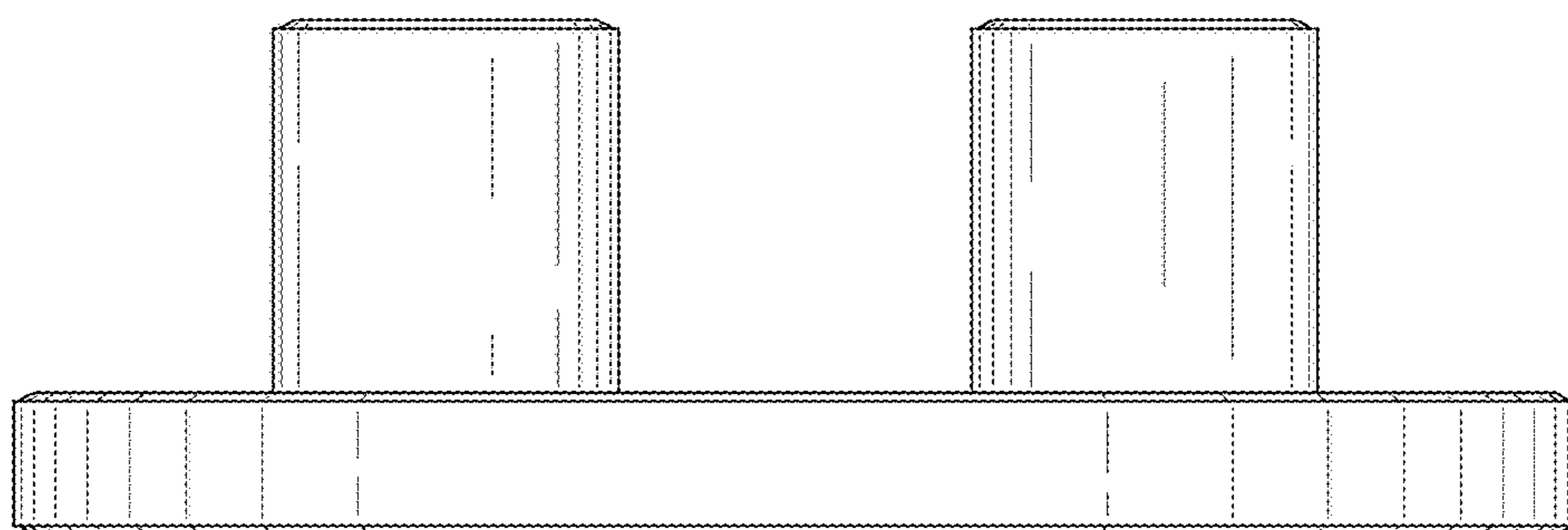


FIG. 13

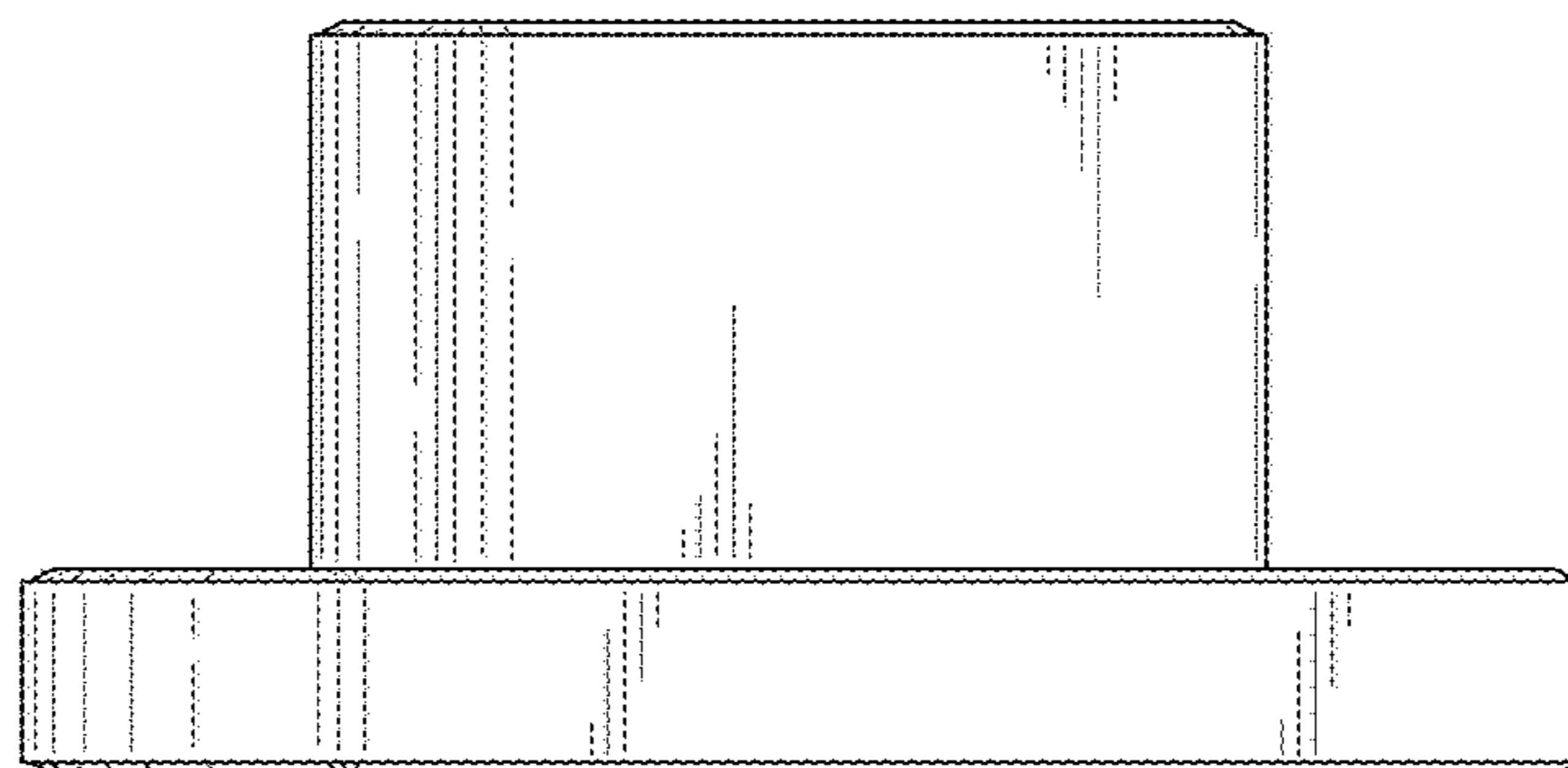


FIG. 14

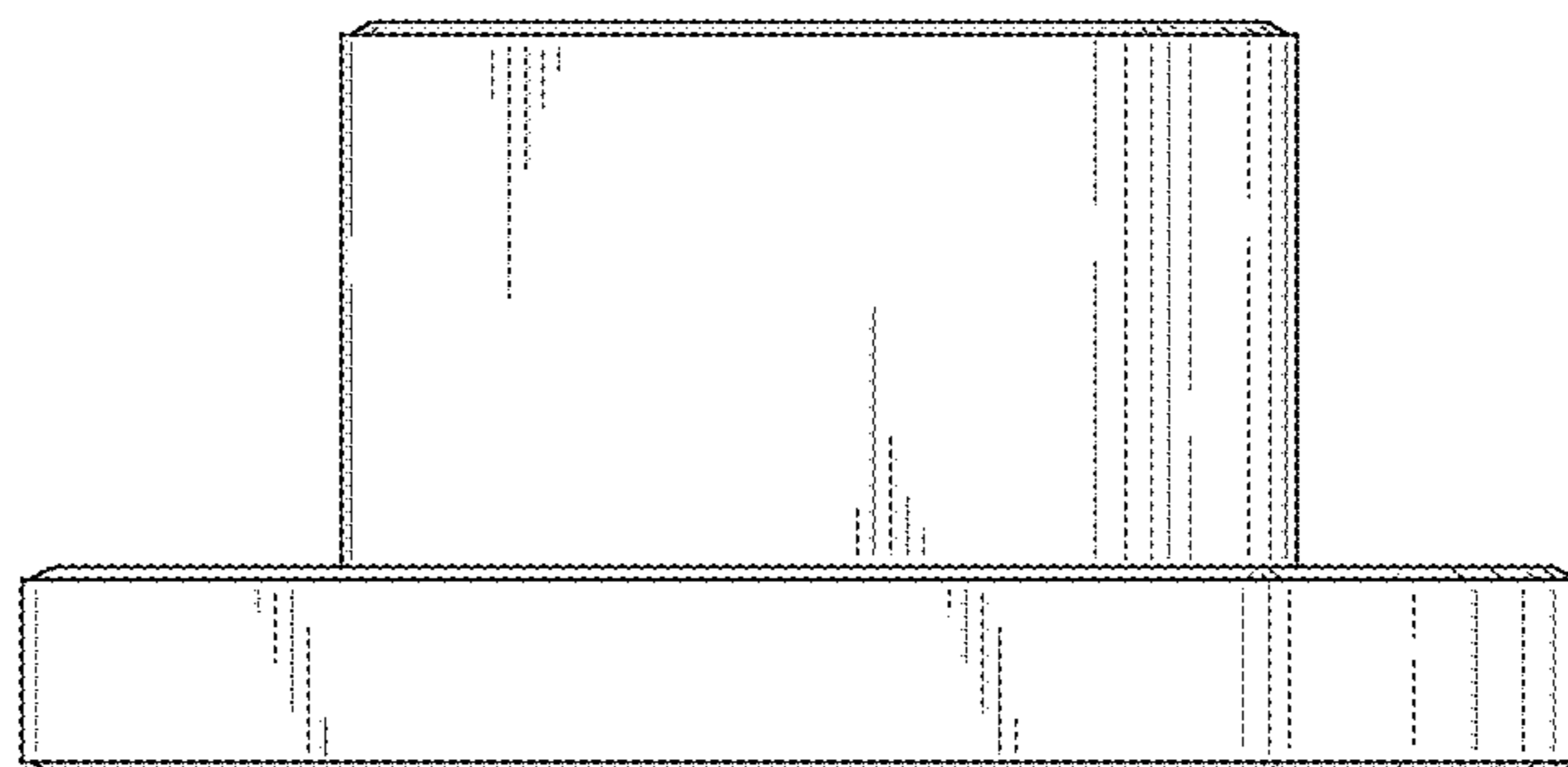
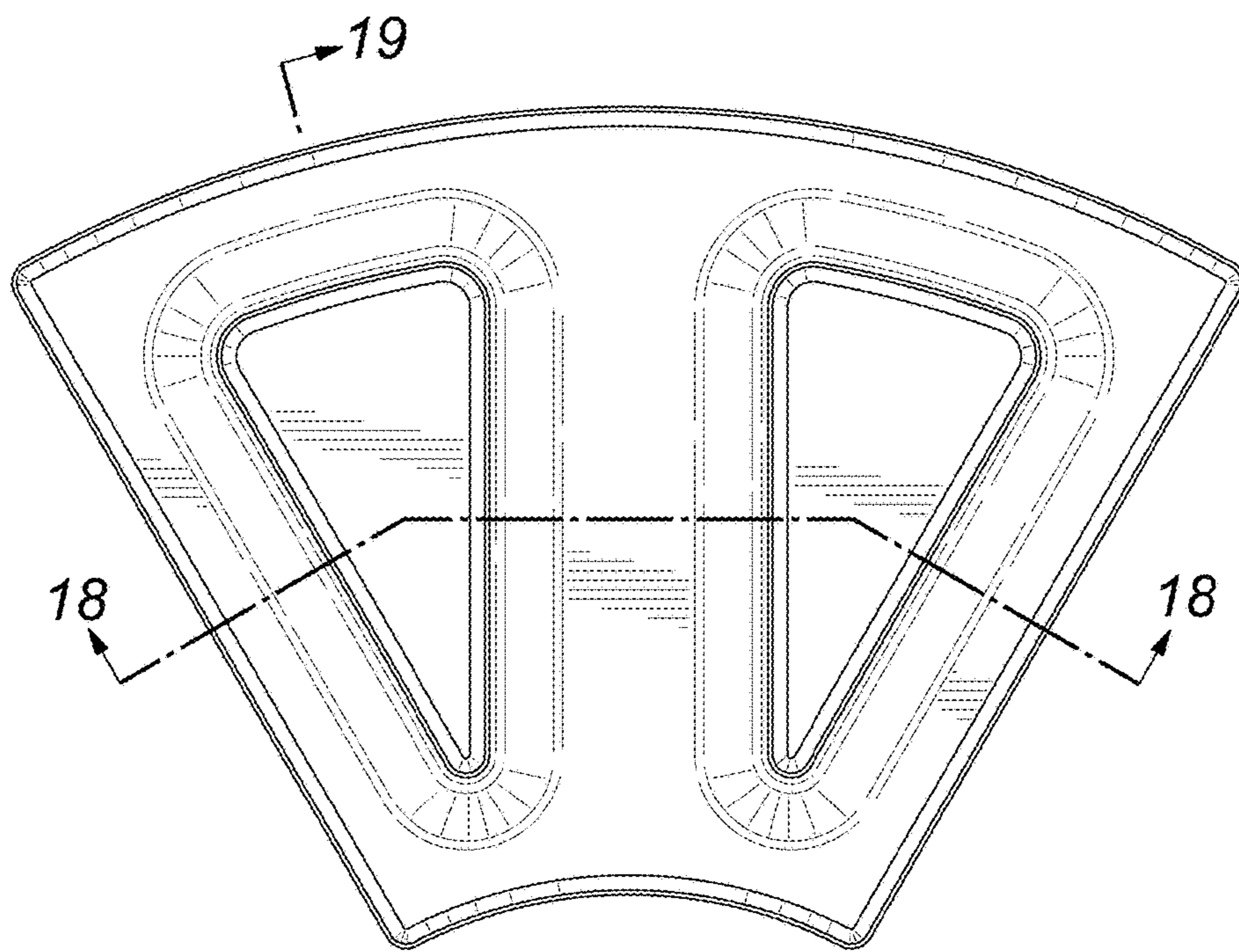


FIG. 15



19

FIG. 16

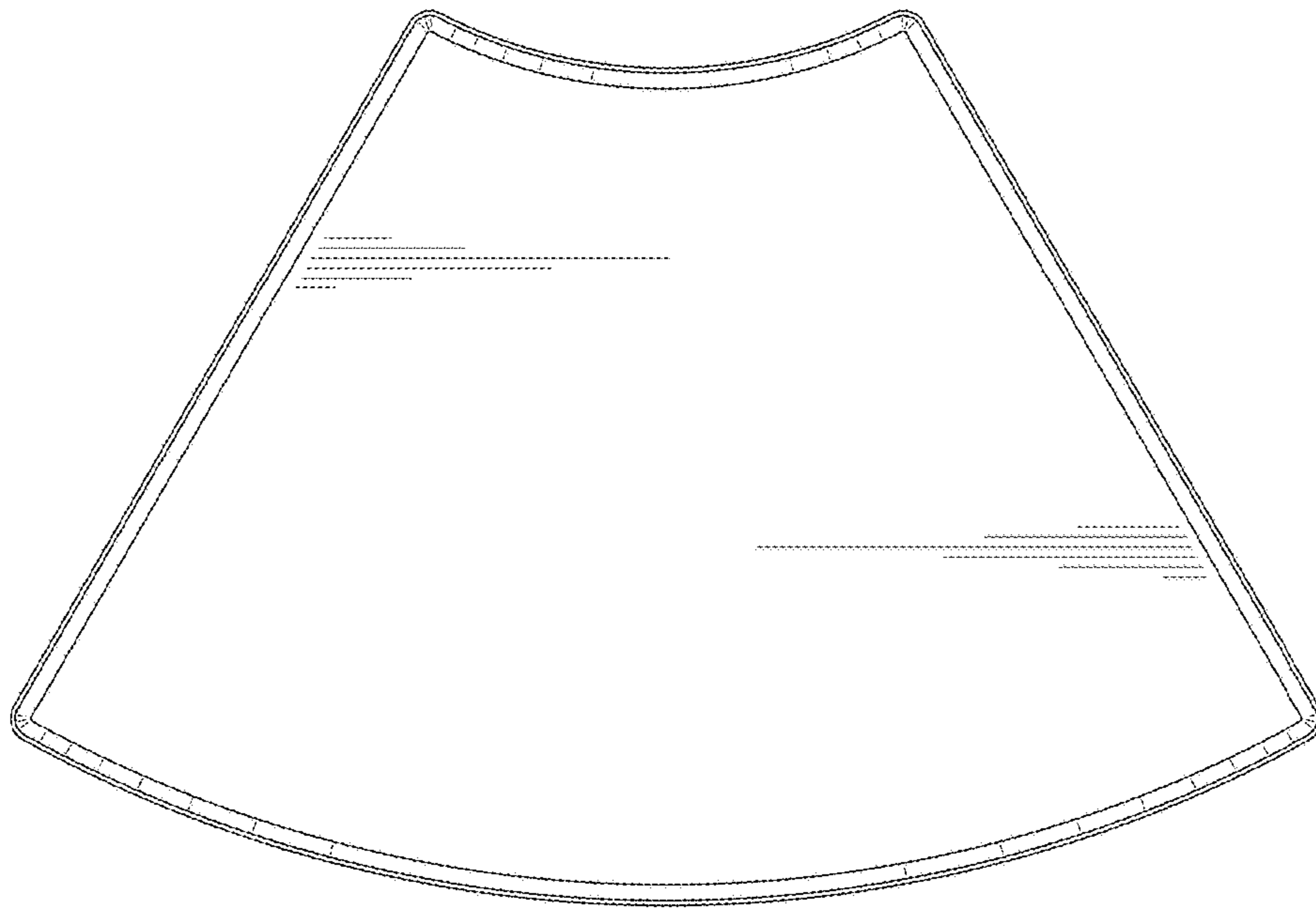


FIG. 17

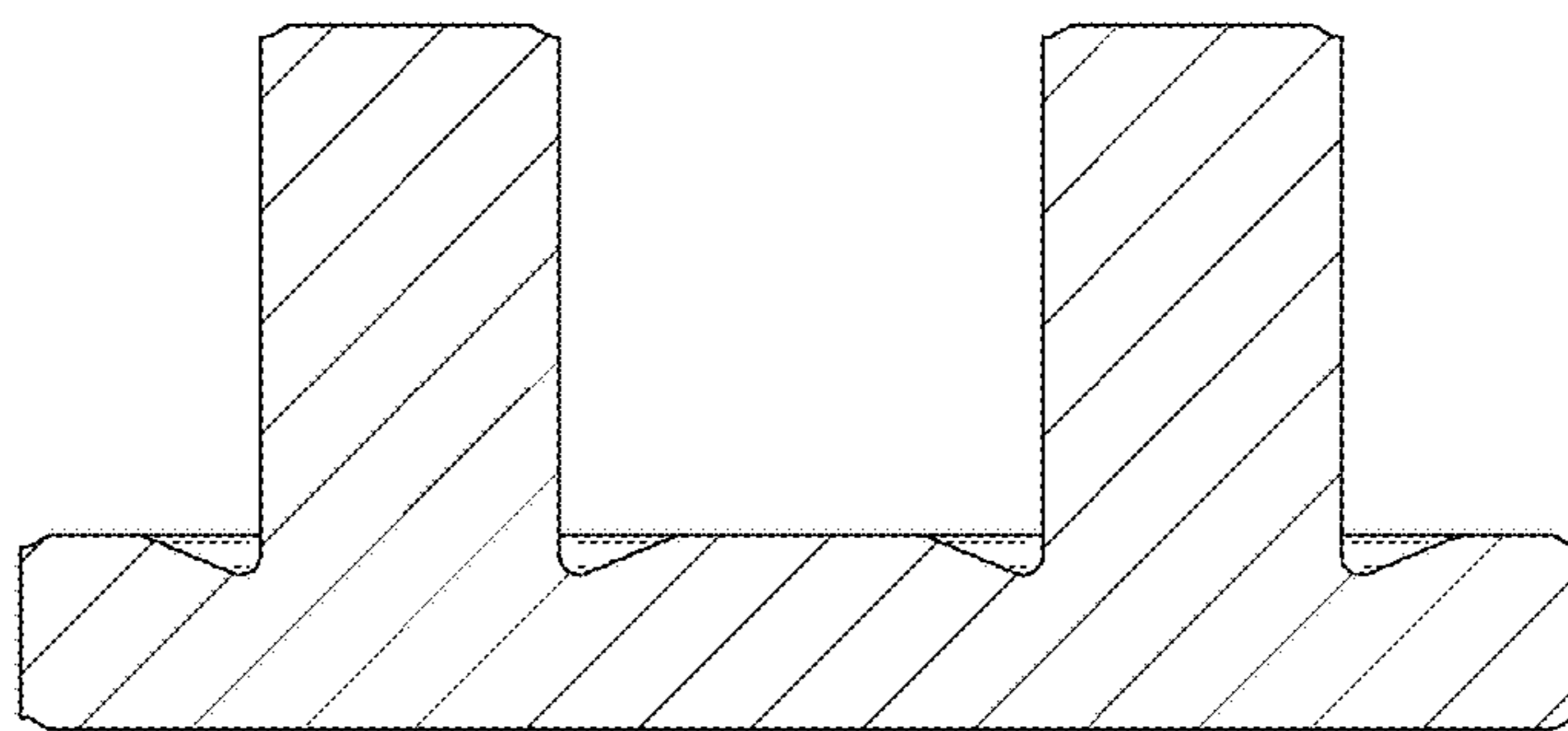


FIG. 18

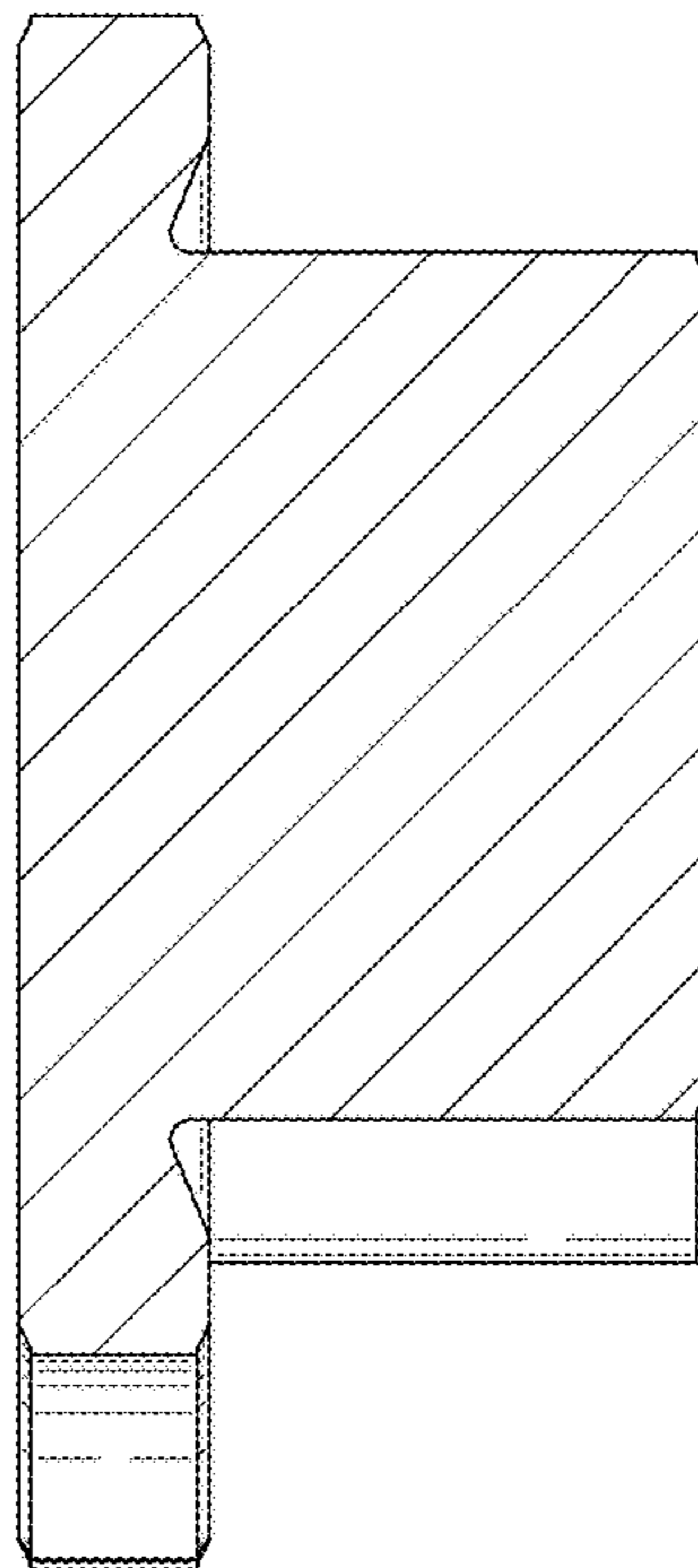


FIG. 19

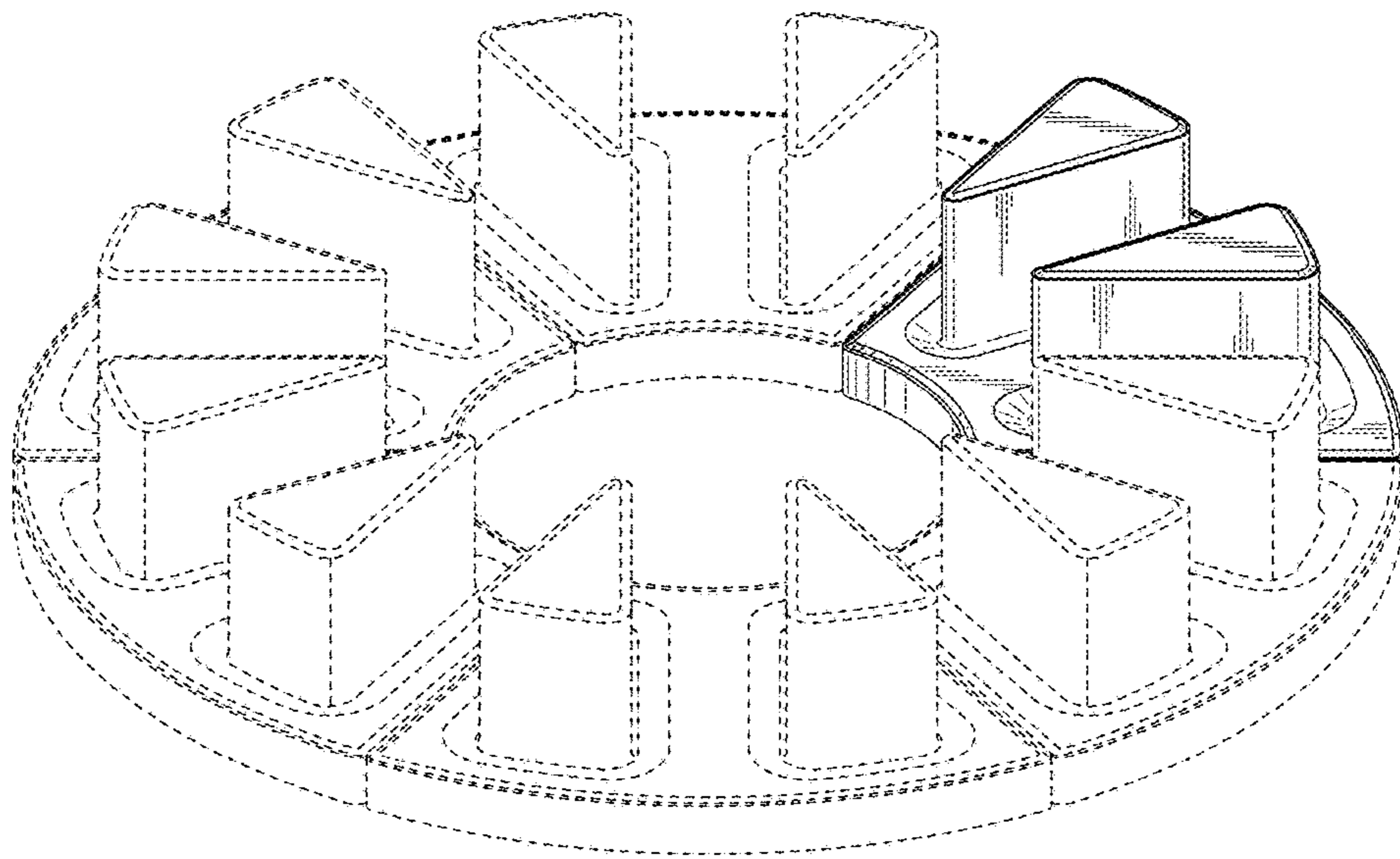


FIG. 20