



US00D841700S

(12) **United States Design Patent** (10) **Patent No.:** **US D841,700 S**  
**Lee et al.** (45) **Date of Patent:** **\*\* Feb. 26, 2019**

(54) **REFRIGERATOR**

(71) Applicant: **LG ELECTRONICS INC.**, Seoul (KR)

(72) Inventors: **Hangbok Lee**, Seoul (KR); **Kyutae Park**, Seoul (KR); **Hozin Song**, Seoul (KR)

(73) Assignee: **LG ELECTRONICS INC.**, Seoul (KR)

(\*\*) Term: **15 Years**

(21) Appl. No.: **35/503,490**

(22) Filed: **Feb. 10, 2017**

(80) **Hague Agreement Data**

Int. Filing Date: **Feb. 10, 2017**  
Int. Reg. No.: **DM/094858**  
Int. Reg. Date: **Feb. 10, 2017**  
Int. Reg. Pub. Date: **Aug. 11, 2017**

(30) **Foreign Application Priority Data**

Aug. 31, 2016 (KR) ..... 30-2016-0042834

(51) **LOC (11) Cl.** ..... **15-07**

(52) **U.S. Cl.**  
USPC ..... **D15/91**  
CPC ..... **F25D 23/00** (2013.01)

(58) **Field of Classification Search**  
USPC ..... D15/79-91  
CPC ..... F25D 2323/021; F25D 11/00; F25D 2323/024; F25D 23/04; F25D 25/024; F25D 27/005; F25D 23/12; F25D 29/005; F25D 17/042; F25D 2325/021  
See application file for complete search history.

(56) **References Cited**

**U.S. PATENT DOCUMENTS**

D518,077 S \* 3/2006 Lee ..... D15/91  
D553,167 S \* 10/2007 Busalt ..... D15/91

D562,362 S \* 2/2008 Bissig ..... D15/91  
D567,262 S \* 4/2008 Crookshanks ..... D15/91  
D577,373 S \* 9/2008 Crookshanks ..... D15/91  
D642,600 S \* 8/2011 Kristiansen ..... D15/86  
D646,308 S \* 10/2011 Kristiansen ..... D15/91  
D674,416 S \* 1/2013 Seo ..... D15/86  
D680,138 S \* 4/2013 Seo ..... D15/86  
D681,695 S \* 5/2013 Lee ..... D15/86  
D684,609 S \* 6/2013 Seo ..... D15/86  
D686,254 S \* 7/2013 Wang ..... D15/91  
D689,104 S \* 9/2013 Yang ..... D15/91  
D706,315 S \* 6/2014 Seo ..... D15/89  
D707,734 S \* 6/2014 Seo ..... D15/86  
D709,925 S \* 7/2014 Seo ..... D15/89  
D710,403 S \* 8/2014 Seo ..... D15/89  
D713,862 S \* 9/2014 Lee ..... D15/86  
D714,360 S \* 9/2014 Seo ..... D15/85  
D714,361 S \* 9/2014 Seo ..... D15/86  
D722,624 S \* 2/2015 Cho ..... D15/89  
D722,625 S \* 2/2015 Cho ..... D15/89  
D723,595 S \* 3/2015 You ..... D15/91  
D724,113 S \* 3/2015 Seo ..... D15/85

(Continued)

*Primary Examiner* — Richard E Chilcot  
(74) *Attorney, Agent, or Firm* — Birch, Stewart, Kolasch & Birch, LLP

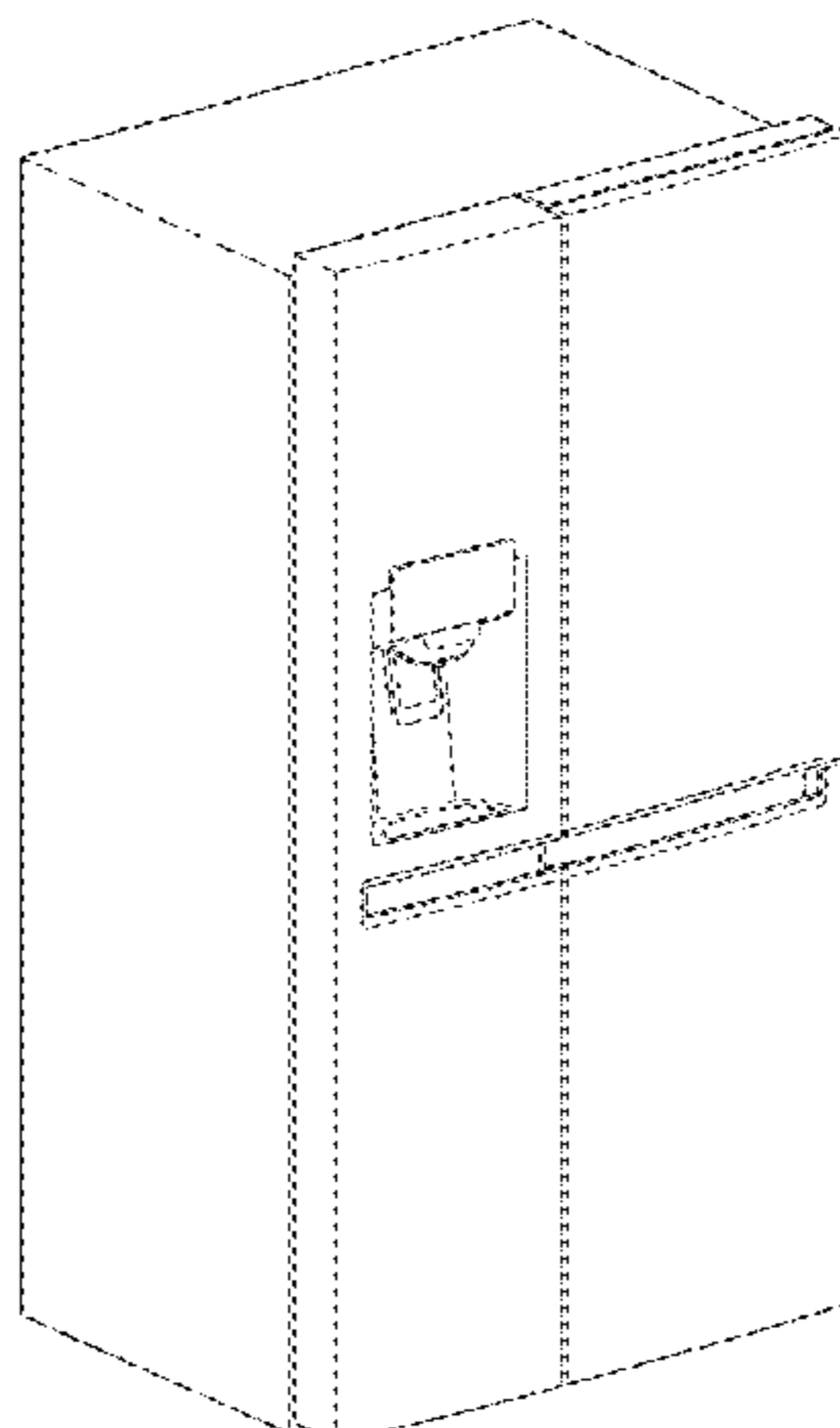
(57) **CLAIM**

The ornamental design for a refrigerator, as shown and described.

**DESCRIPTION**

1 . Refrigerator  
1.1 is a perspective view of a refrigerator, showing our new design;  
1.2 is a front elevation view thereof;  
1.3 is a rear elevation view thereof;  
1.4 is a left-side elevation view thereof;  
1.5 is a right-side elevation view thereof;  
1.6 is a top plan view thereof;  
1.7 is a bottom plan view thereof; and  
1.8 is a perspective view thereof, in a use condition.

**1 Claim, 8 Drawing Sheets**



(56)

References Cited

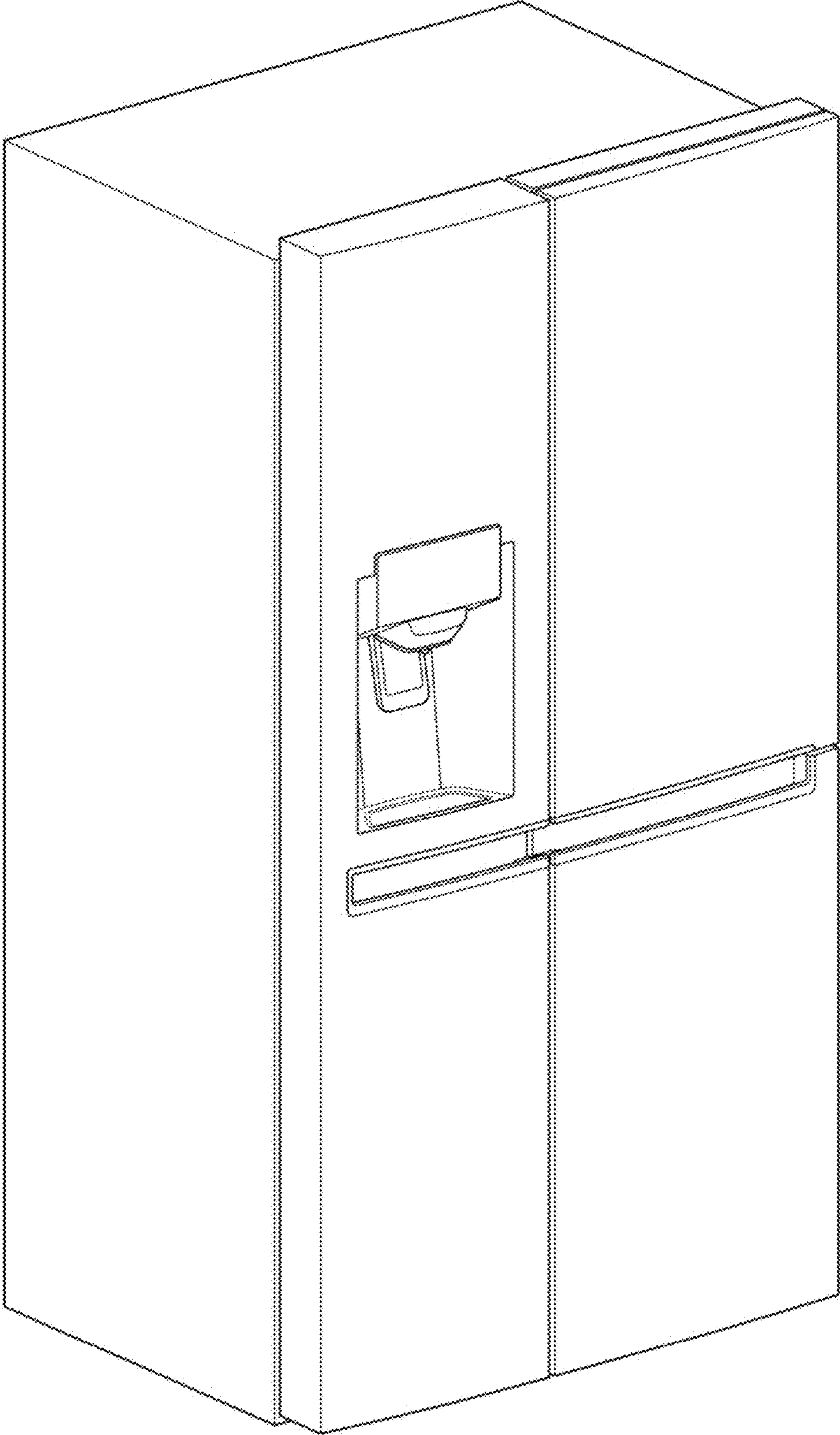
U.S. PATENT DOCUMENTS

D730,958 S \* 6/2015 Choi ..... D15/91  
 D742,431 S \* 11/2015 Seo ..... D15/86  
 D742,437 S \* 11/2015 Choi ..... D15/91  
 D742,438 S \* 11/2015 Jeon ..... D15/91  
 D744,551 S \* 12/2015 Park ..... D15/91  
 D747,368 S \* 1/2016 Kim ..... D15/85  
 D757,131 S \* 5/2016 Lee ..... D15/91  
 D759,132 S \* 6/2016 Kwon ..... D15/91  
 D760,819 S \* 7/2016 Lee ..... D15/86  
 D760,820 S \* 7/2016 Lee ..... D15/91  
 D760,821 S \* 7/2016 Lee ..... D15/91  
 D760,822 S \* 7/2016 Lee ..... D15/91  
 D760,823 S \* 7/2016 Lee ..... D15/91  
 D760,824 S \* 7/2016 Lee ..... D15/91  
 D761,333 S \* 7/2016 Lee ..... D15/86  
 D761,334 S \* 7/2016 Lee ..... D15/86  
 D761,336 S \* 7/2016 Lee ..... D15/91  
 D761,887 S \* 7/2016 Seo ..... D15/89

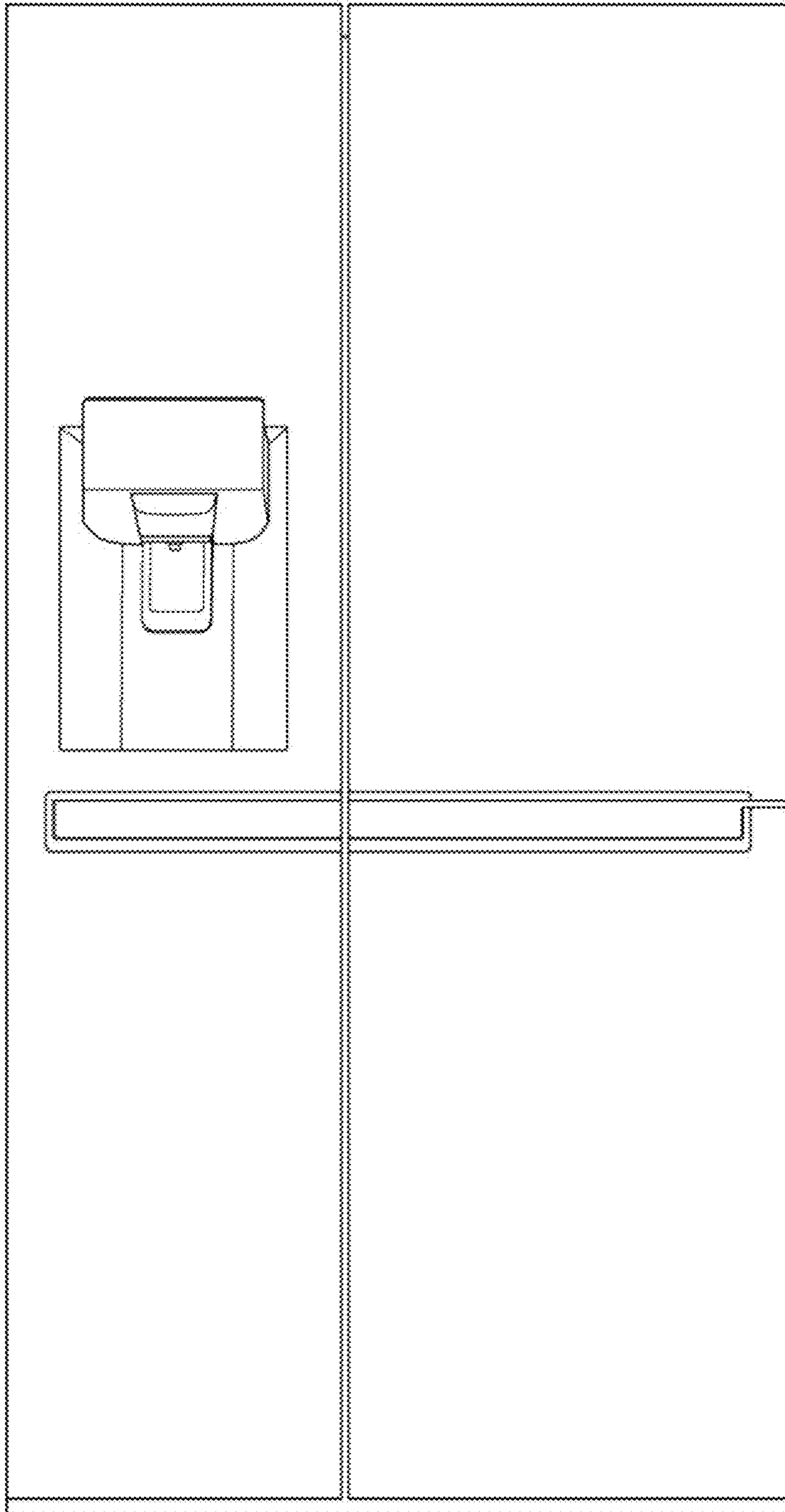
D762,249 S \* 7/2016 Kim ..... D15/86  
 D763,329 S \* 8/2016 Seo ..... D15/89  
 D765,151 S \* 8/2016 Park ..... D15/81  
 D766,344 S \* 9/2016 Kim ..... D15/86  
 D767,648 S \* 9/2016 Shoemaker ..... D15/86  
 D768,738 S \* 10/2016 Lee ..... D15/91  
 D768,739 S \* 10/2016 Lee ..... D15/91  
 D775,674 S \* 1/2017 Seo ..... D15/86  
 D776,173 S \* 1/2017 Kim ..... D15/91  
 D787,566 S \* 5/2017 Seo ..... D15/85  
 D787,572 S \* 5/2017 Seo ..... D15/91  
 D788,187 S \* 5/2017 Kim ..... D15/84  
 D788,188 S \* 5/2017 Seo ..... D15/86  
 D788,193 S \* 5/2017 Seo ..... D15/91  
 D788,194 S \* 5/2017 Kwak ..... D15/91  
 D788,828 S \* 6/2017 Seo ..... D15/86  
 2010/0242526 A1 \* 9/2010 Junge ..... F25C 5/005  
 62/449  
 2014/0117830 A1 \* 5/2014 Lee ..... F25D 25/025  
 312/402

\* cited by examiner

1.1



1.2

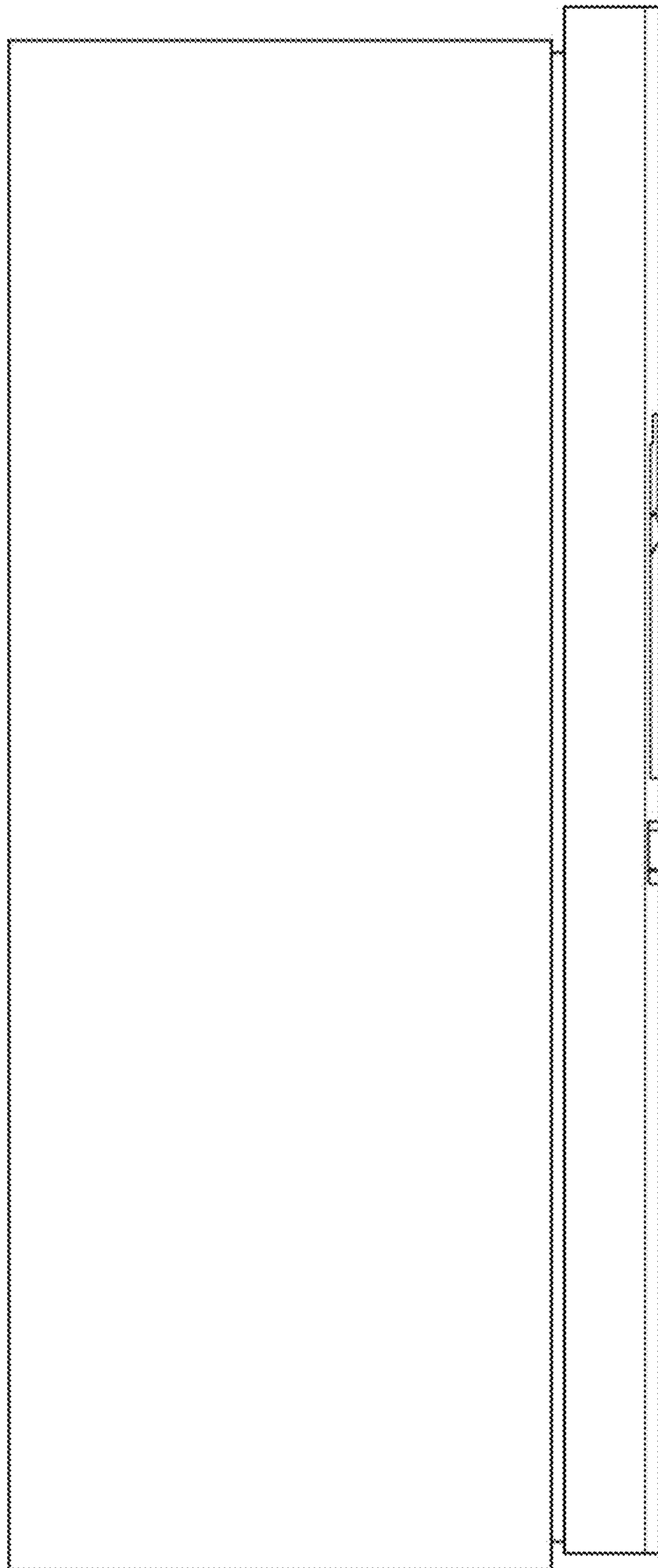




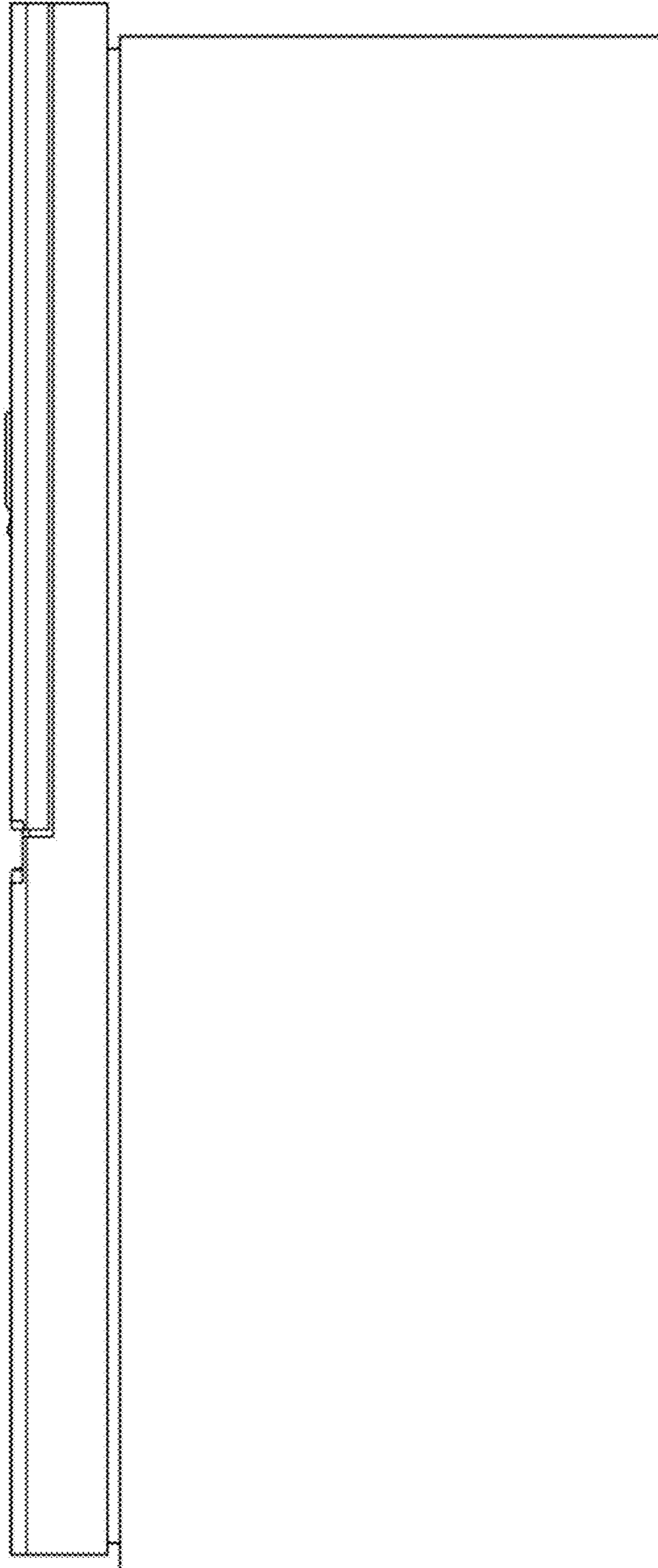
1.3



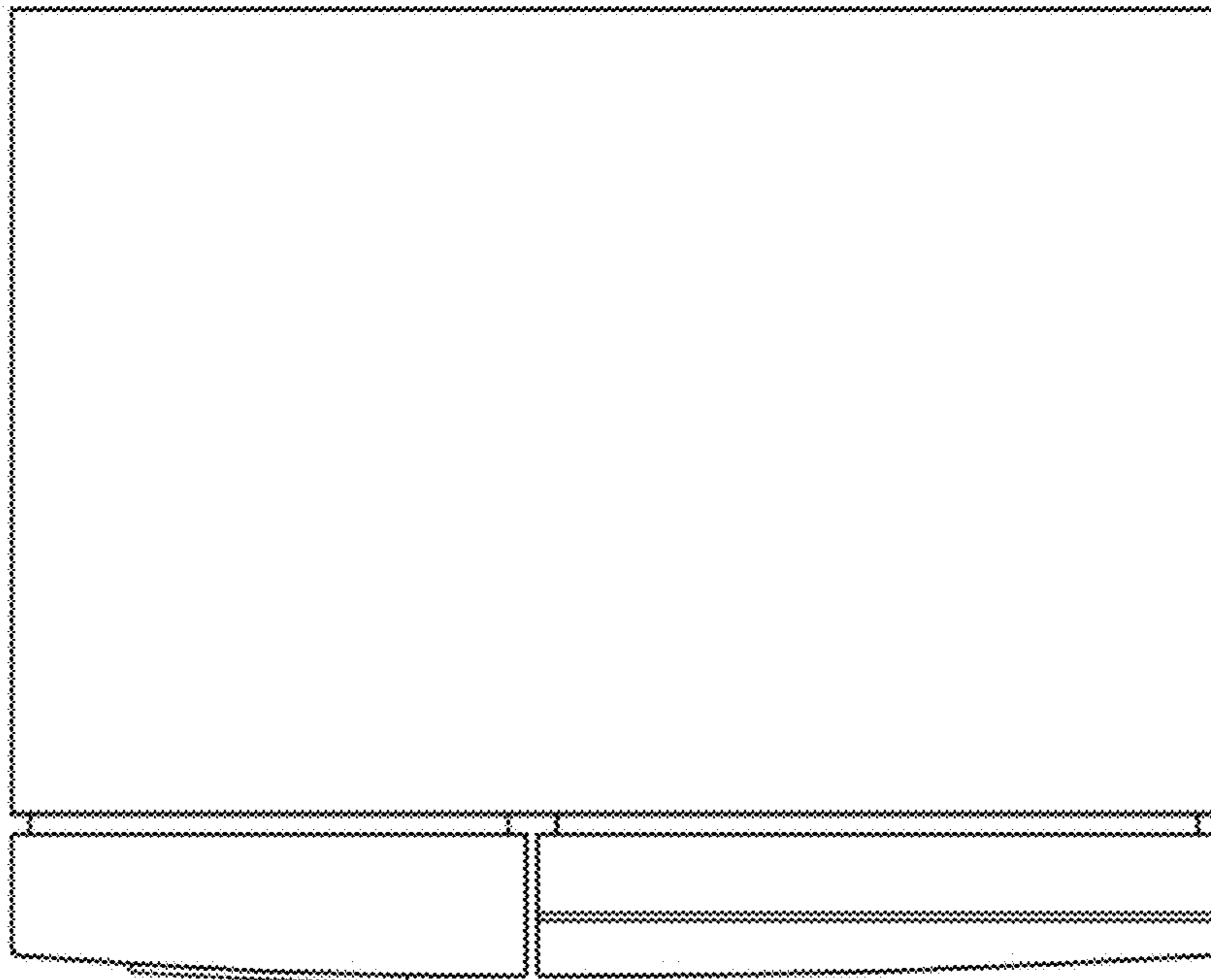
1.4



1.5

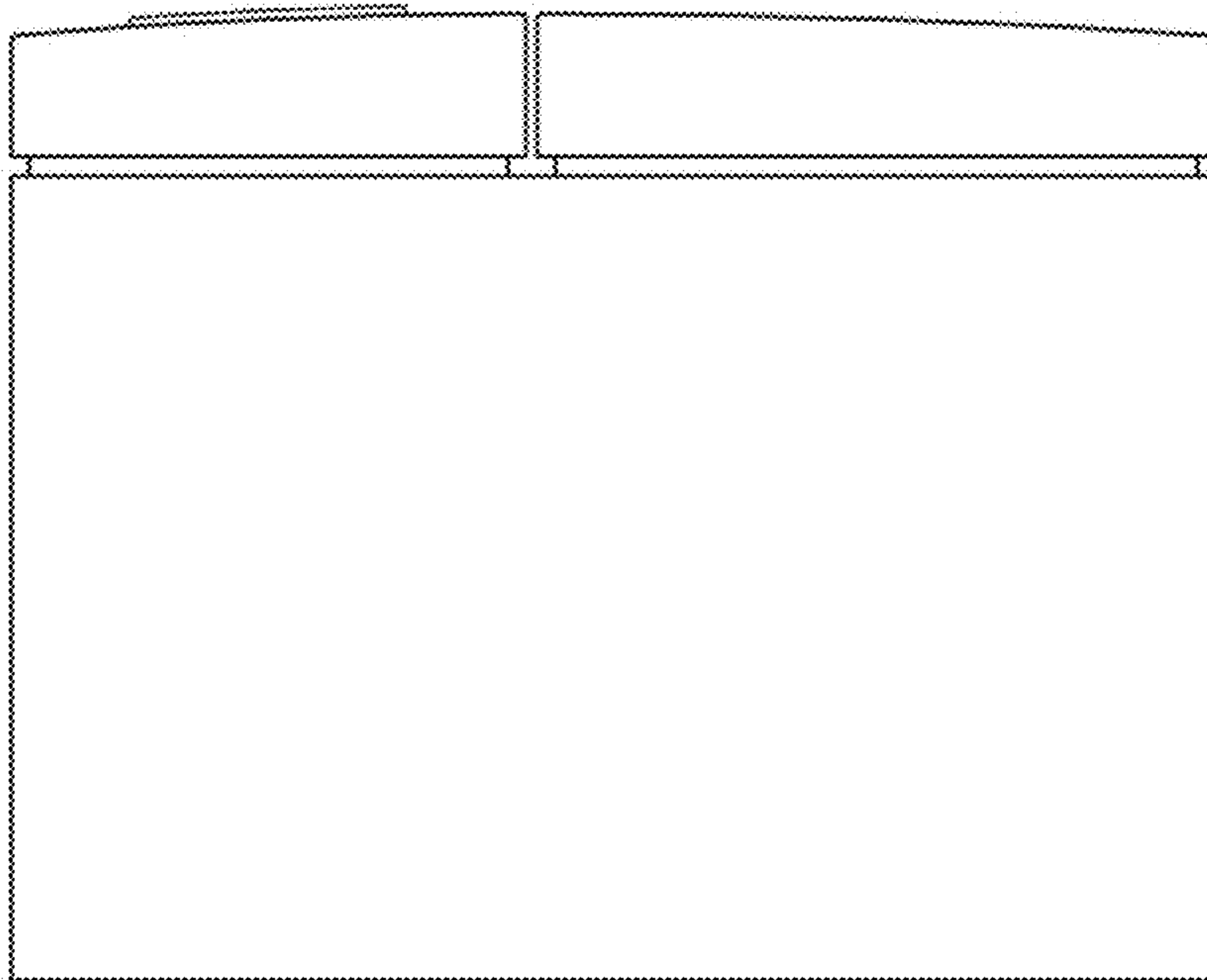


1.6





1.7



1.8

