



US00D841699S

(12) **United States Design Patent** (10) **Patent No.:** **US D841,699 S**
Foyen et al. (45) **Date of Patent:** **** Feb. 26, 2019**

(54) **REFRIGERATING APPARATUS**

(71) Applicant: **B Medical Systems S.a.r.l.**, Hosingen (LU)

(72) Inventors: **Marc Foyen**, Hosingen (LU); **Alan Rushing**, Hosingen (LU); **Eric Groenendael**, Hosingen (LU)

(73) Assignee: **B Medical Systems S.a.r.l.**, Hosingen (LU)

(**) Term: **15 Years**

(21) Appl. No.: **29/626,470**

(22) Filed: **Nov. 17, 2017**

(51) **LOC (11) Cl.** **15-07**

(52) **U.S. Cl.**
USPC **D15/79**

(58) **Field of Classification Search**
USPC D15/79-91; D23/355, 364, 365, 359;
D34/12-27; D24/216-232, 107
CPC F02M 37/18; F02M 3/045; F02M 43/00;
F02M 51/04; F02M 51/0614; F02M
53/043; F02M 55/004; F02M 55/008;
F02M 57/021; F02M 57/027; F02M
59/025; F02M 59/10; F02M 5/00; F02M
5/12; F02M 5/14; F02M 61/02; F02M
61/045; F02M 61/14; F02M 61/145;
F02M 61/18; F02M 61/184; F02M
61/1853; F02M 61/20; F02M 65/003;
F02M 69/00; F02M 69/041; F02M
69/043; F02M 69/32; F02M 69/50; F02M
7/10; F02M 7/12; F02M 7/133; F02M
7/17; F02M 9/12; F02M 9/127; F02M
9/14

See application file for complete search history.

(56) **References Cited**

U.S. PATENT DOCUMENTS

4,307,581 A *	12/1981	Reid	F25D 3/08 62/372
D368,916 S *	4/1996	Pawlowski	D15/79
D477,335 S *	7/2003	Upton	D15/79
D491,580 S *	6/2004	Stoddart	D15/79
D503,785 S *	4/2005	Otaki	D15/79
D503,971 S *	4/2005	Otaki	D15/79
D535,452 S *	1/2007	Lim	D34/19
D595,748 S *	7/2009	Kratschmer	D15/81
D618,712 S *	6/2010	Tsuji	D15/79
D618,713 S *	6/2010	Tsuji	D15/79
D819,091 S *	5/2018	Neill	D15/81

* cited by examiner

Primary Examiner — Ian Simmons

Assistant Examiner — Khawaja Anwar

(74) *Attorney, Agent, or Firm* — Jerold I. Schneider

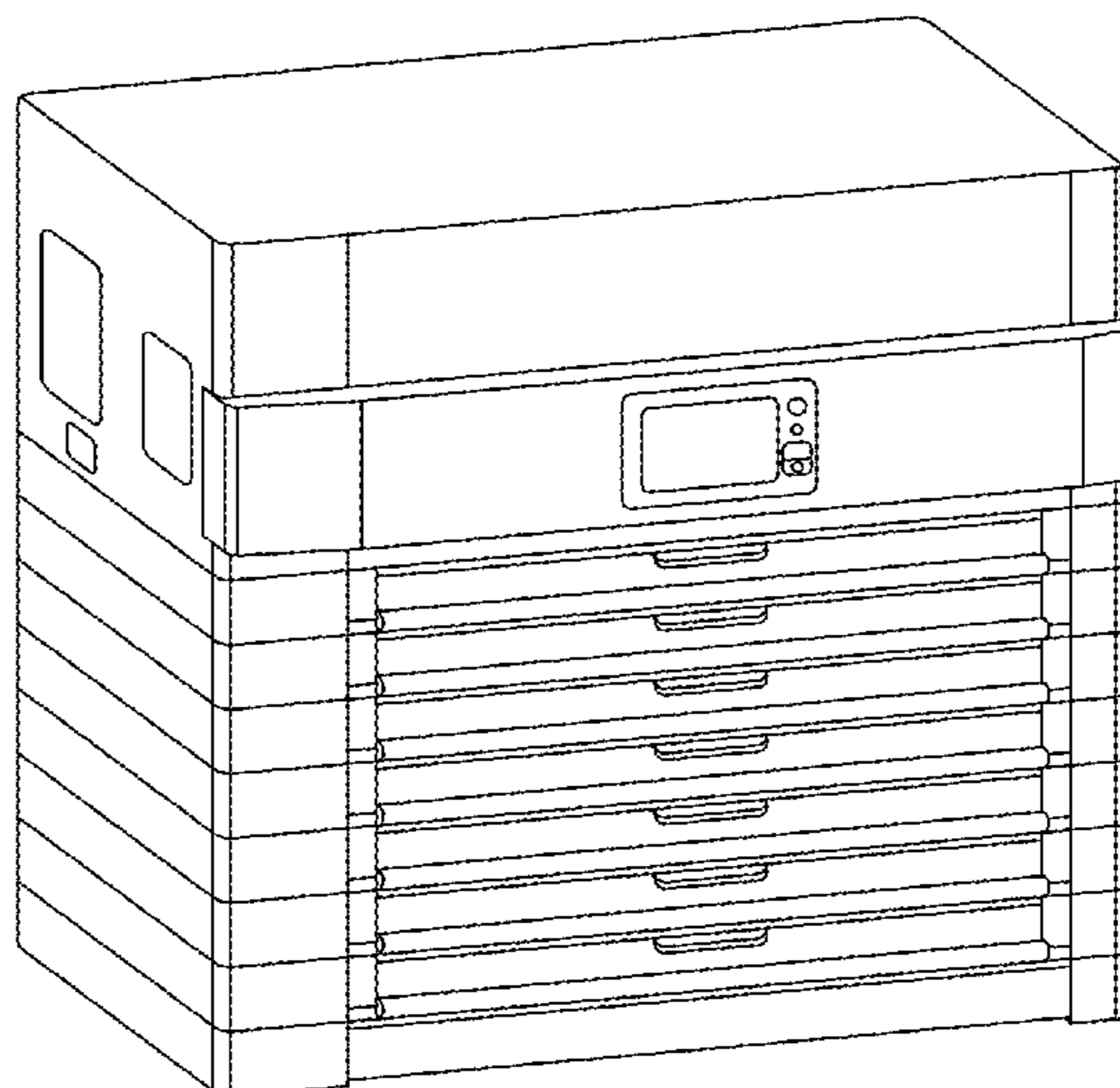
(57) **CLAIM**

We claim the ornamental design for a refrigerating apparatus, as shown and described.

DESCRIPTION

FIG. 1 is a perspective view of a refrigerating apparatus showing our new design from the Front, Left and Top; FIG. 2 is a perspective view of a refrigerating apparatus showing our new design from the Front., Right and Top; and, FIG. 3 is a perspective view of a refrigerating apparatus showing our new design from the Rear, Left and Bottom. No claim is made for features of the rear or bottom of the design.

1 Claim, 2 Drawing Sheets



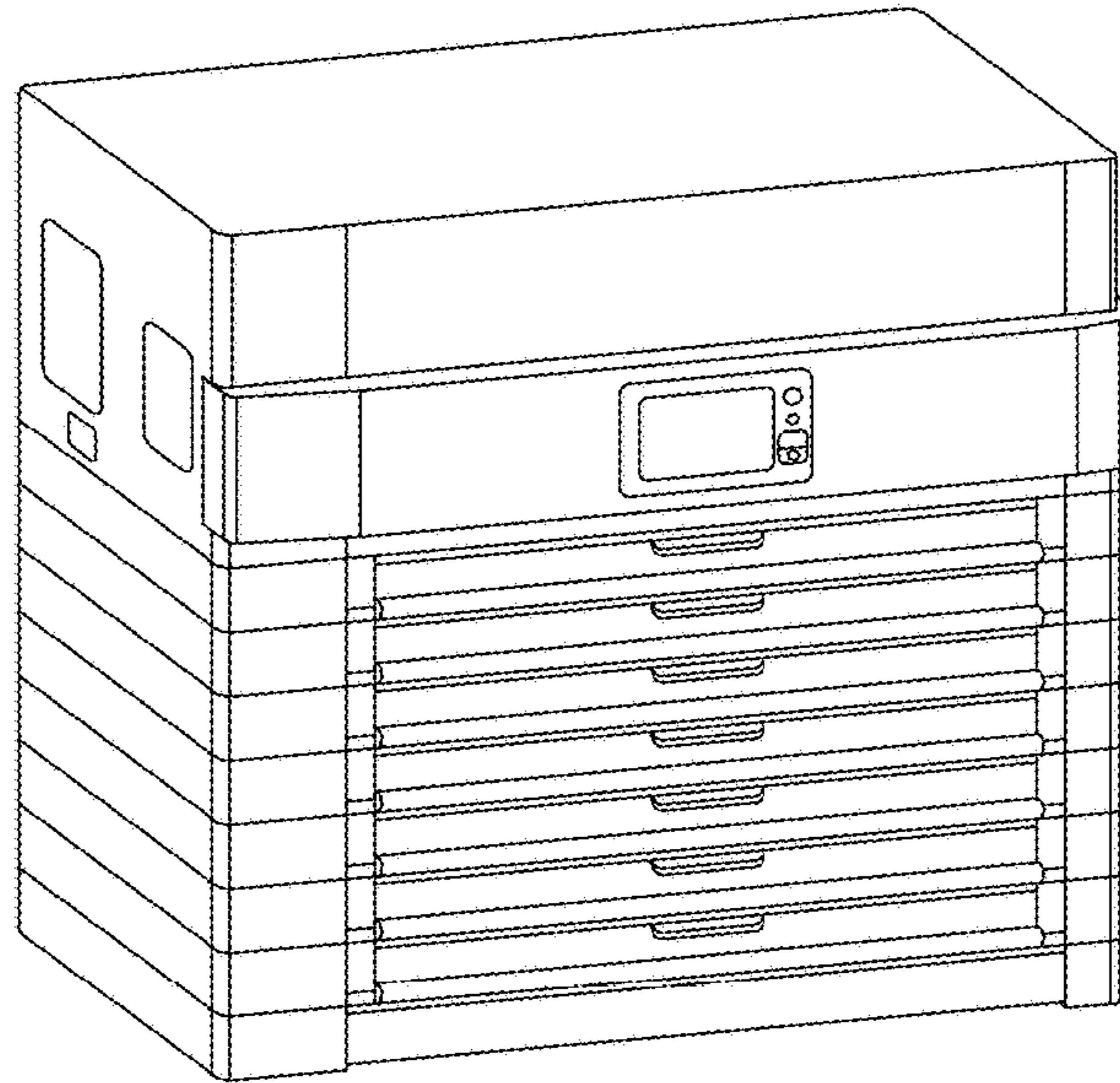


FIG. 1

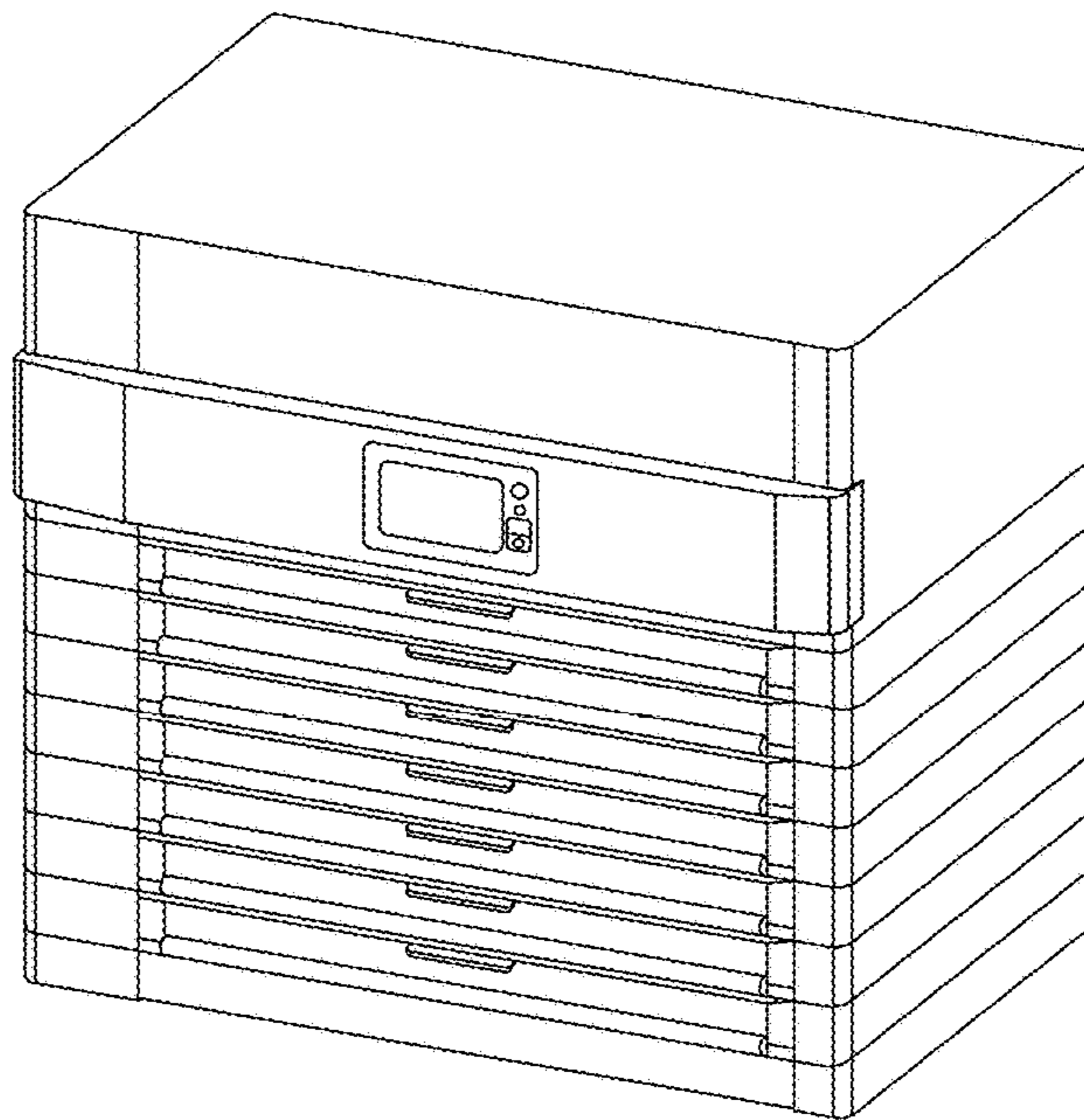


FIG. 2

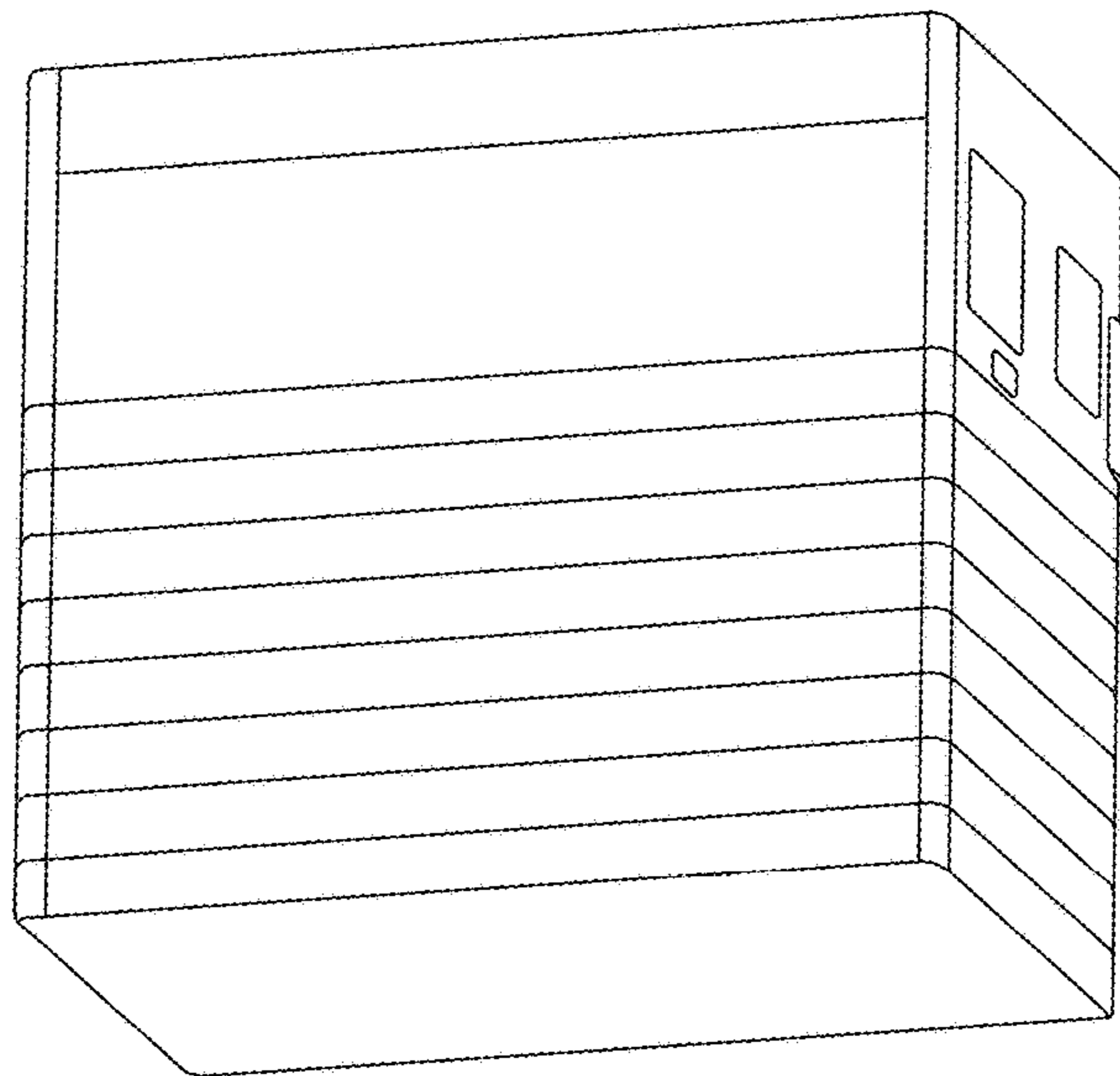


FIG. 3