



US00D841698S

(12) **United States Design Patent**
Yunginger

(10) **Patent No.:** **US D841,698 S**

(45) **Date of Patent:** **** Feb. 26, 2019**

(54) **FEED SUPPLEMENT DIVERTER**
(71) Applicant: **Standard Dairy Consultants, LLC**,
Omaha, NE (US)

(72) Inventor: **Dale Yunginger**, Algona, IA (US)

(73) Assignee: **Standard Dairy Consultants, LLC**,
Omaha, NE (US)

(**) Term: **15 Years**

(21) Appl. No.: **29/627,848**

(22) Filed: **Nov. 30, 2017**

(51) **LOC (11) Cl.** **15-03**

(52) **U.S. Cl.**
USPC **D15/28**

(58) **Field of Classification Search**
USPC D15/21, 28; D30/121, 131, 133, 199,
D30/119, 114, 116, 124, 132, 122, 126,
D30/128; 119/57.92
CPC A01K 5/004; A01K 5/0275; A01K 5/0233;
A01K 5/00
See application file for complete search history.

(56) **References Cited**

U.S. PATENT DOCUMENTS

- 4,671,210 A * 6/1987 Robinson A01K 5/0291
119/51.12
- D329,652 S * 9/1992 Killian D15/13
- D512,538 S * 12/2005 Bird 119/52.1

- D681,068 S * 4/2013 Larson D15/28
- D685,140 S * 6/2013 Rosenstein D30/119
- D709,100 S * 7/2014 Hutsick D15/28
- D710,912 S * 8/2014 Wehmeier D15/28

* cited by examiner

Primary Examiner — Mark A Goodwin

(74) *Attorney, Agent, or Firm* — Ryan T. Grace; Advent,
LLP

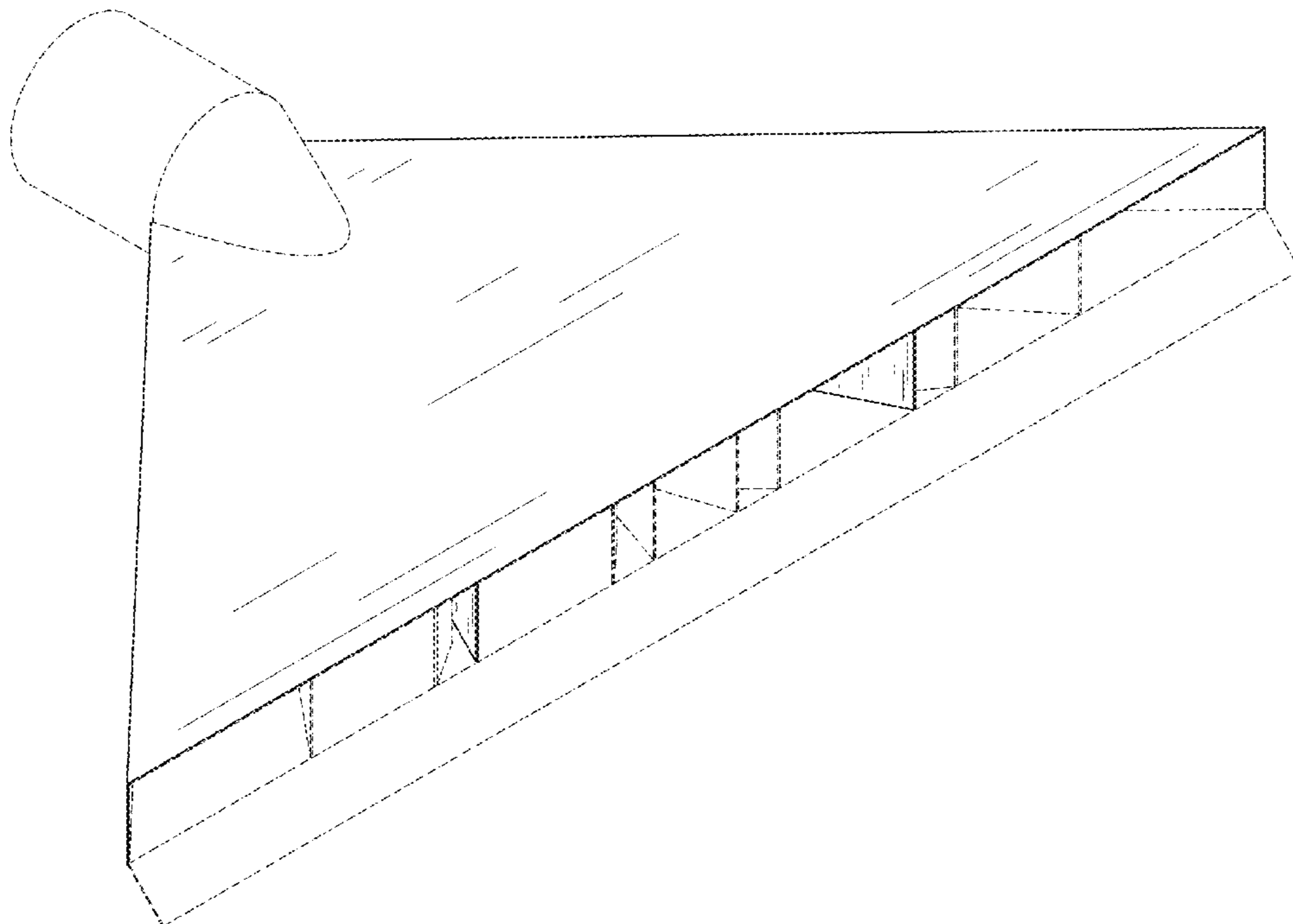
(57) **CLAIM**

The ornamental design for a feed supplement diverter, as shown and described.

DESCRIPTION

FIG. 1 is a top plan view of a feed supplement diverter.
 FIG. 2 is a bottom view of the feed supplement diverter of FIG. 1.
 FIG. 3 is a front elevation view of the feed supplement diverter of FIG. 1.
 FIG. 4 is a rear elevation view of the feed supplement diverter of FIG. 1.
 FIG. 5 is a left side elevation view of the feed supplement diverter of FIG. 1.
 FIG. 6 is a right side elevation view of the feed supplement diverter of FIG. 1.
 FIG. 7 is an isometric view of the feed supplement diverter of FIG. 1; and,
 FIG. 8 is another isometric view of the feed supplement diverter of FIG. 1.
 Portions of FIGS. 1 through 8 are shown in broken lines illustrating portions of the article that form no part of the claimed design.

1 Claim, 8 Drawing Sheets



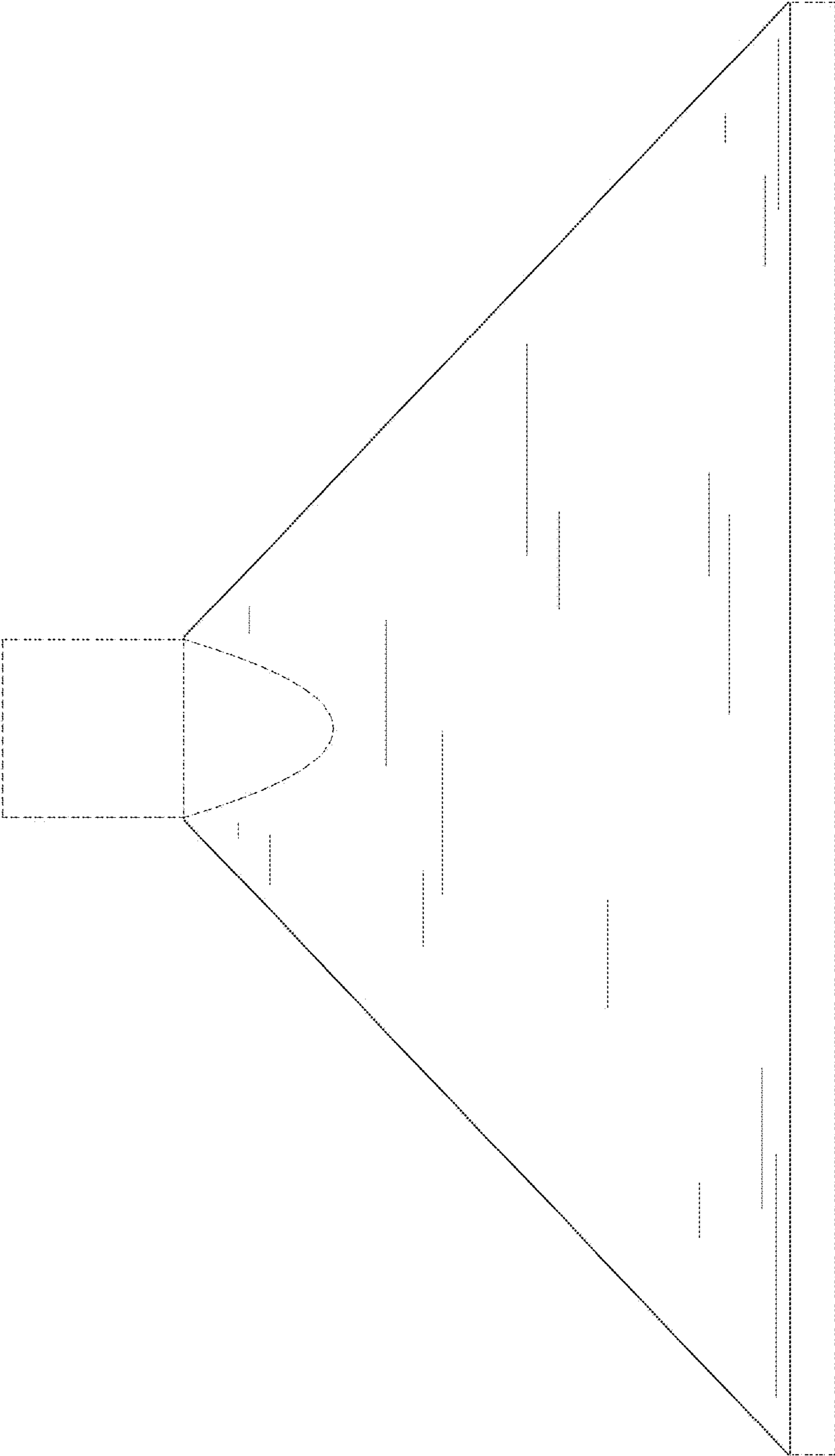


FIG. 1

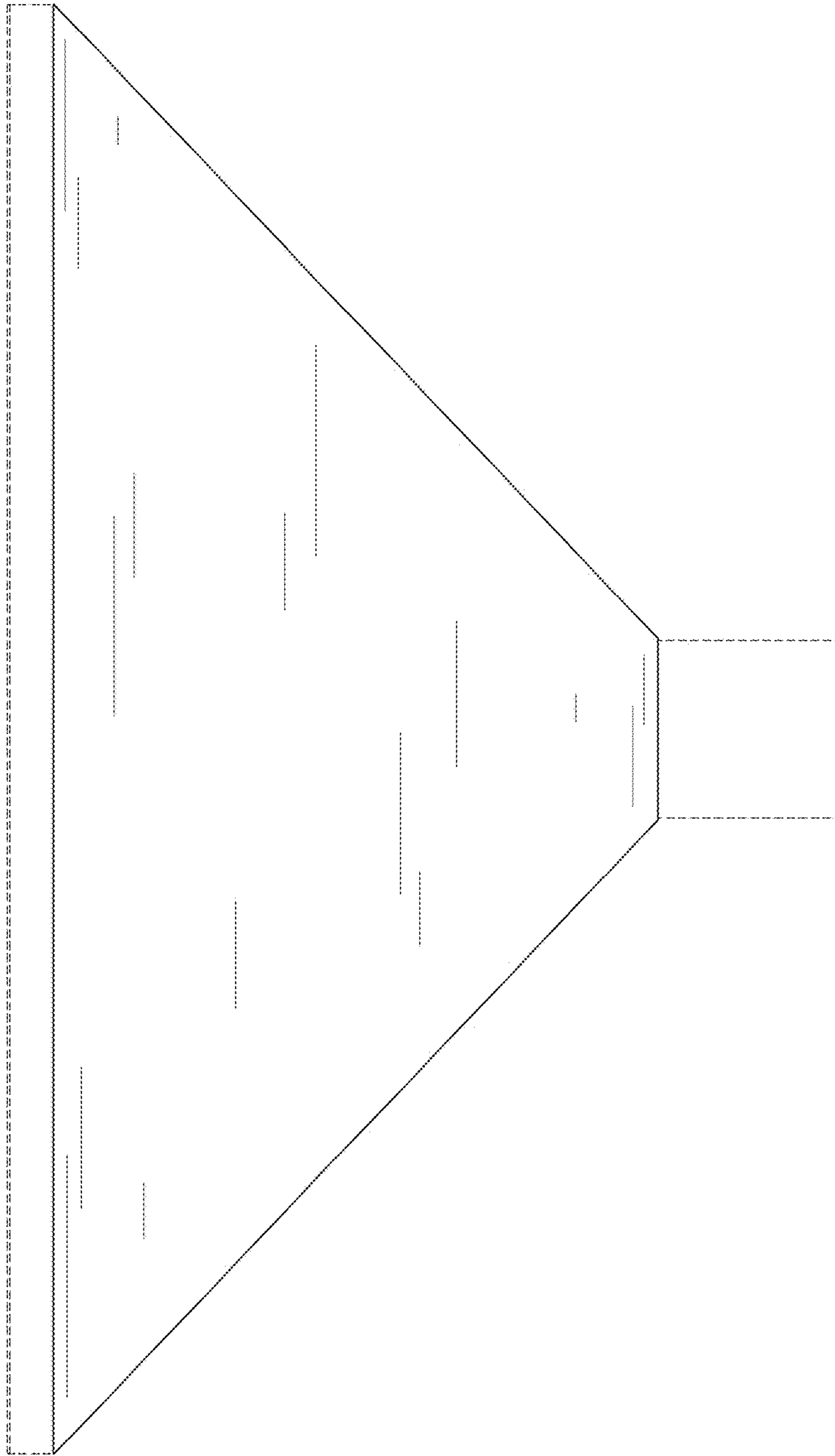


FIG. 2

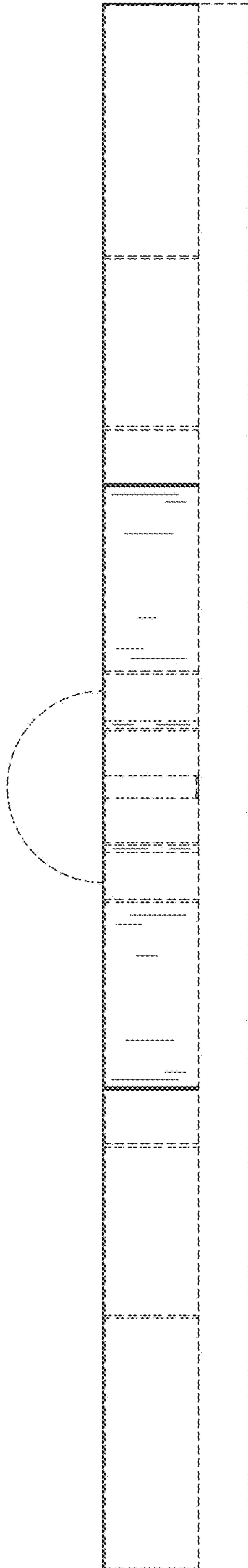


FIG. 3

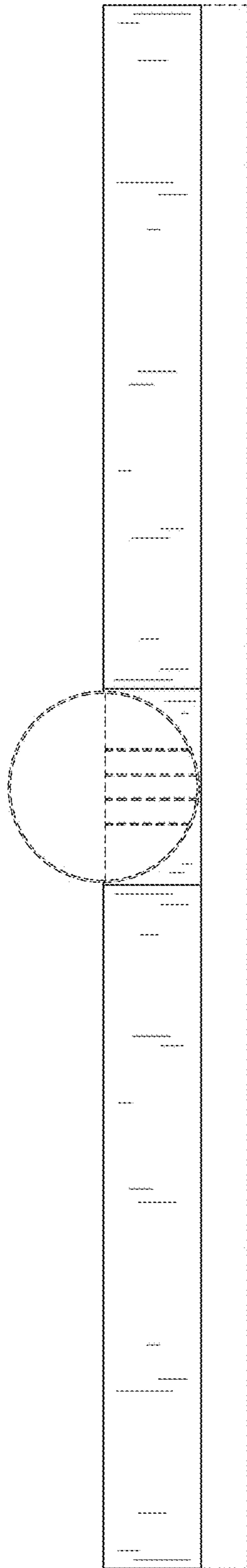


FIG. 4

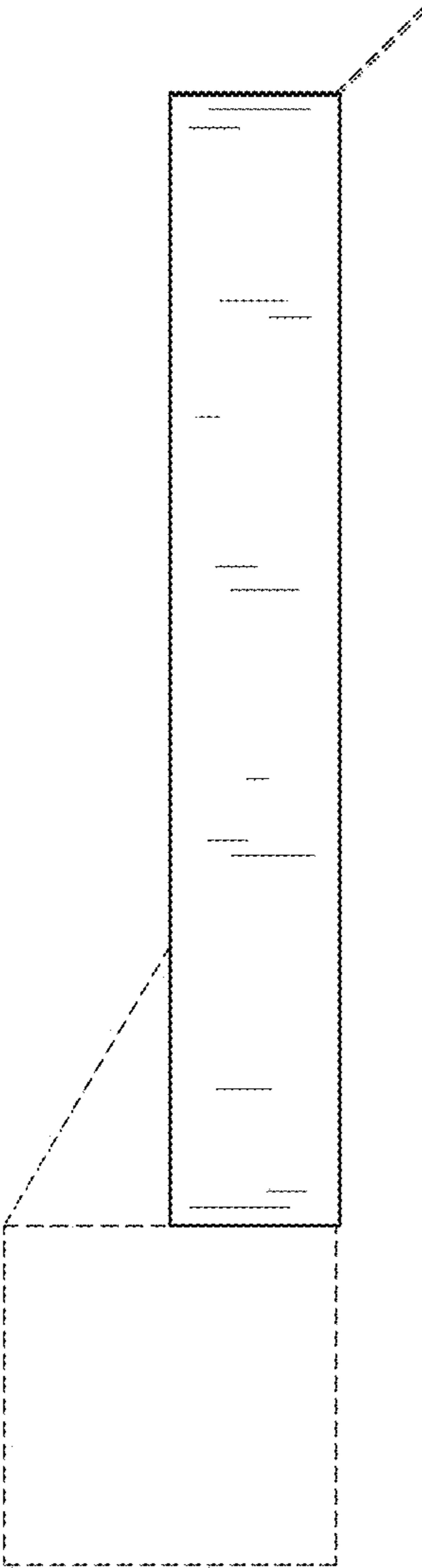


FIG. 5

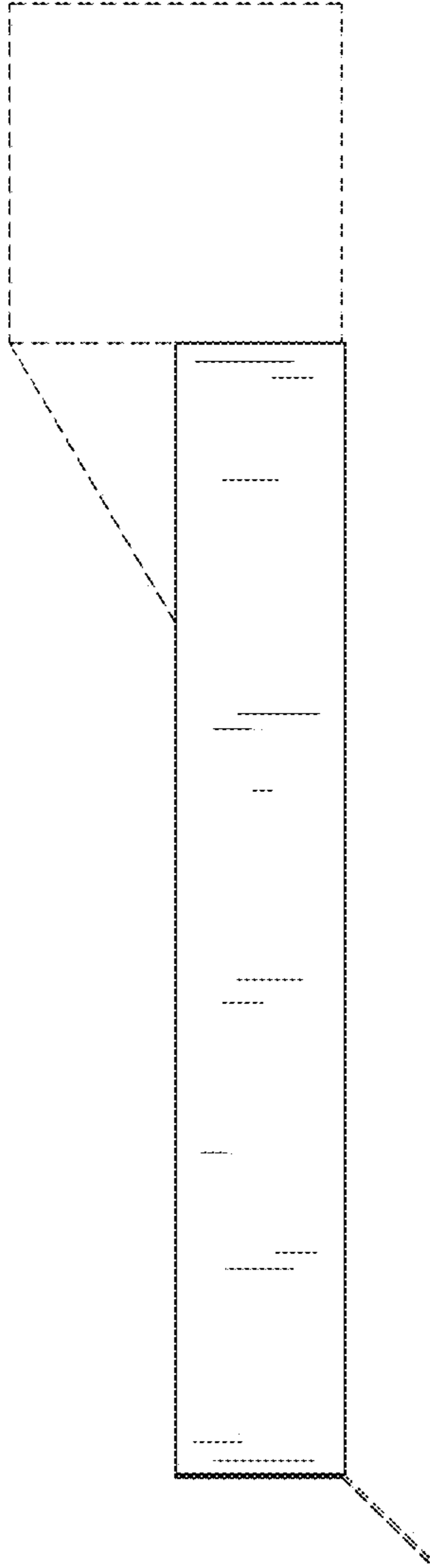


FIG. 6

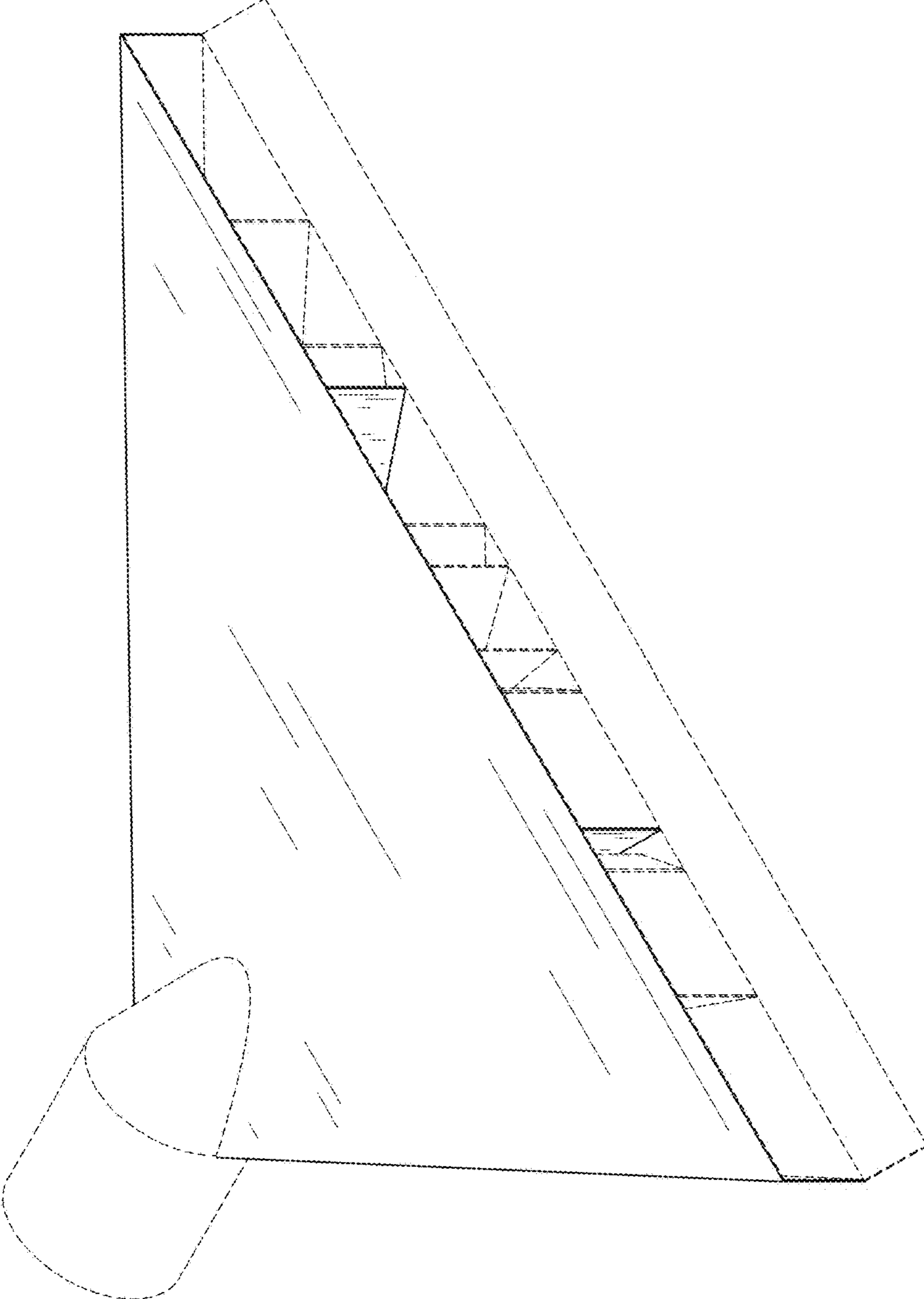


FIG. 7

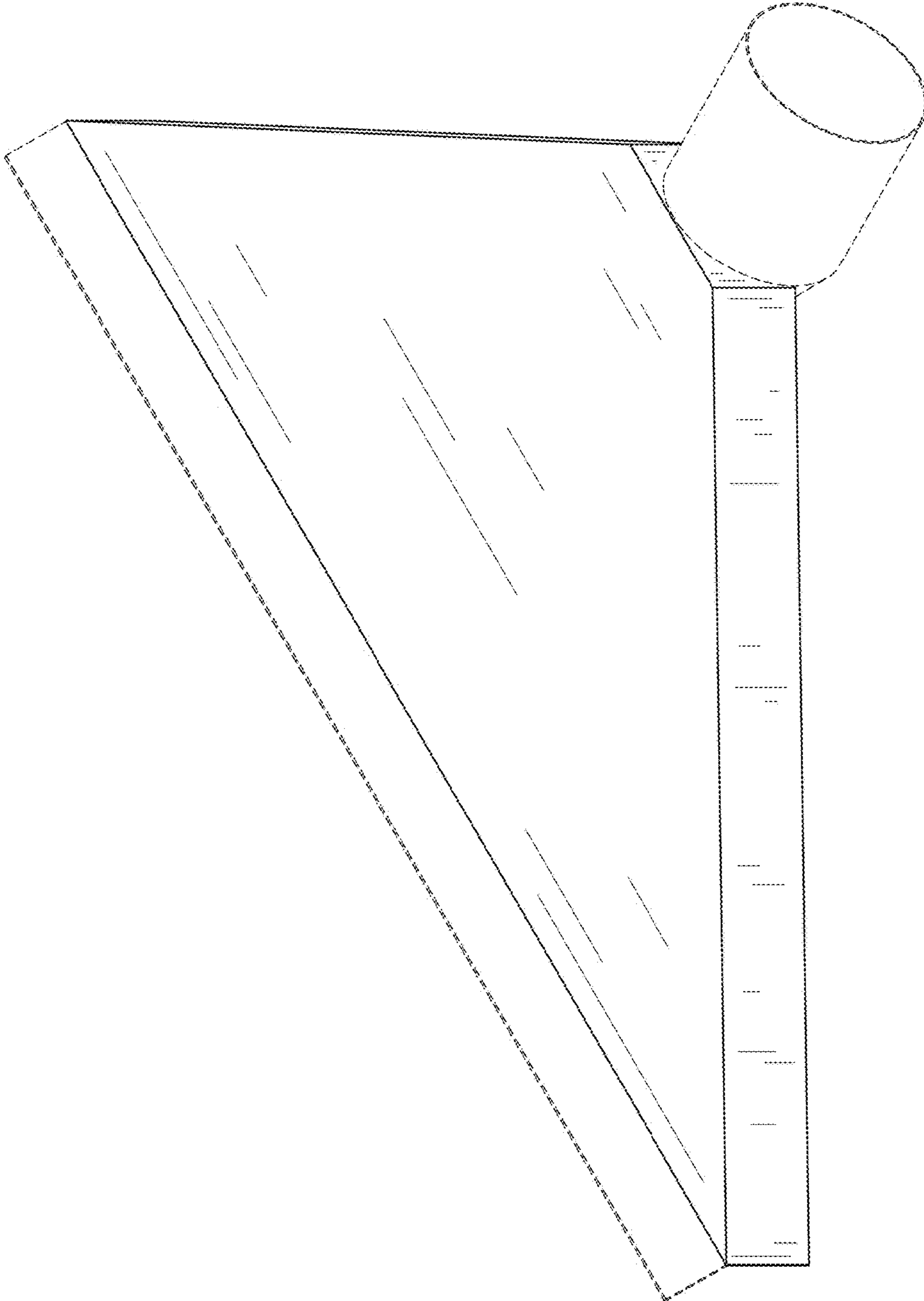


FIG. 8