



US00D841697S

(12) **United States Design Patent** (10) **Patent No.:** **US D841,697 S**
Niclot et al. (45) **Date of Patent:** **** Feb. 26, 2019**

(54) **COVER OF AN AGRICULTURAL WORK VEHICLE**

(71) Applicant: **CNH Industrial America LLC**, New Holland, PA (US)

(72) Inventors: **Giampiero Vietti Niclot**, Turin (IT); **Jakub Maria Sulikowski**, Modena (IT); **Stefano Fincato**, Turin (IT)

(73) Assignee: **CNH Industrial America LLC**, New Holland, PA (US)

(**) Term: **15 Years**

(21) Appl. No.: **29/615,176**

(22) Filed: **Aug. 25, 2017**

(51) **LOC (11) Cl.** **15-03**

(52) **U.S. Cl.**
USPC **D15/28**

(58) **Field of Classification Search**
USPC D15/10, 22-26, 33, 28, 31; D21/431;
37/403, 409, 442, 443; 180/89.1, 89.12,
180/89.13; 296/190.03; 414/685, 694,
414/722, 724

CPC E02F 9/0841; E02F 3/3411; E02F 3/76;
E02F 3/34; E02F 3/00; E02F 7/00; B62D
21/186; B62D 53/028

See application file for complete search history.

(56) **References Cited**

U.S. PATENT DOCUMENTS

D516,588 S *	3/2006	Higashikawa	D15/28
D578,274 S *	10/2008	Tokach	D15/31
D604,750 S *	11/2009	Smith	D15/28
D611,505 S *	3/2010	Loew	D15/20
D611,506 S *	3/2010	Loew	D15/20
D624,567 S *	9/2010	Kelley	D15/30

D629,818 S *	12/2010	Rummer	D15/31
D632,313 S *	2/2011	Kelley	D15/30
D670,746 S *	11/2012	Ewringmann	D15/31
D676,466 S *	2/2013	Ewringmann	D15/20
D681,687 S *	5/2013	Higashikawa	D15/17
D708,233 S *	7/2014	Furuki	D15/28
D715,333 S *	10/2014	Jacobsthal	D15/31
D721,106 S *	1/2015	Okuyama	D15/23
8,960,725 B2 *	2/2015	Rund	B62D 25/168 280/154
D724,109 S *	3/2015	Haro	D15/20
D751,611 S *	3/2016	Smith	D15/31
D757,826 S *	5/2016	Hartz	D15/31
D762,740 S *	8/2016	Okuyama	D15/28
D766,339 S *	9/2016	Hanke	D15/31
D784,426 S *	4/2017	Okuyama	D15/31
D786,945 S *	5/2017	Smith	D15/31
D795,308 S *	8/2017	Sauvaget	D15/31
D795,309 S *	8/2017	Sauvaget	D15/31

* cited by examiner

Primary Examiner — Mark A Goodwin

(74) *Attorney, Agent, or Firm* — Rickard K. DeMille;
Rebecca L. Henkel

(57) **CLAIM**

The ornamental design for a cover of an agricultural work vehicle, substantially as shown and described.

DESCRIPTION

FIG. 1 is a perspective view of a cover of an agricultural work vehicle;

FIG. 2 is a left side view of the cover;

FIG. 3 is a front view of the cover;

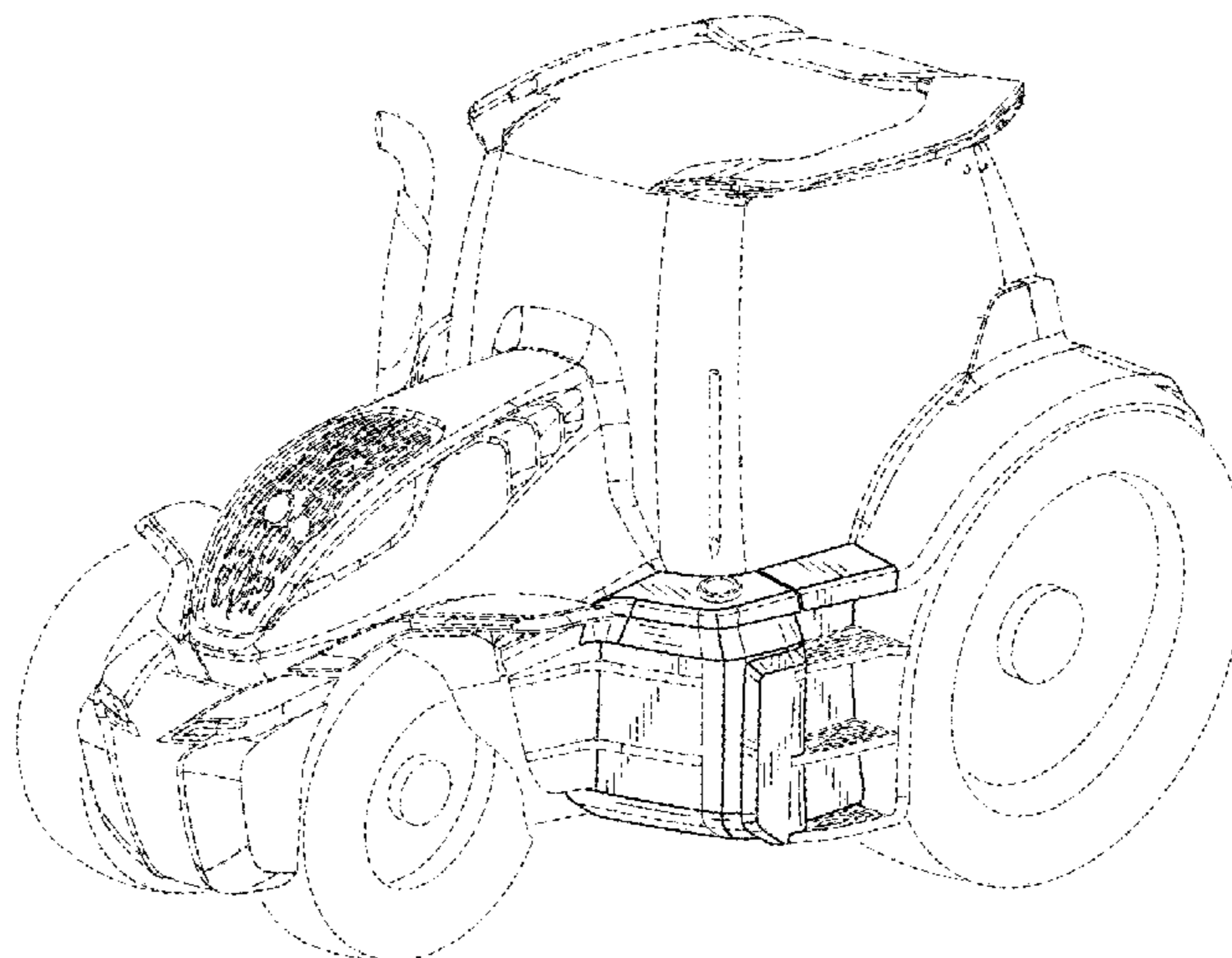
FIG. 4 is a back view of the cover;

FIG. 5 is a top view of the cover; and,

FIG. 6 is a bottom view of the cover.

Phantom lines, where utilized, are for illustrative purposes only and form no part of the claimed design.

1 Claim, 6 Drawing Sheets



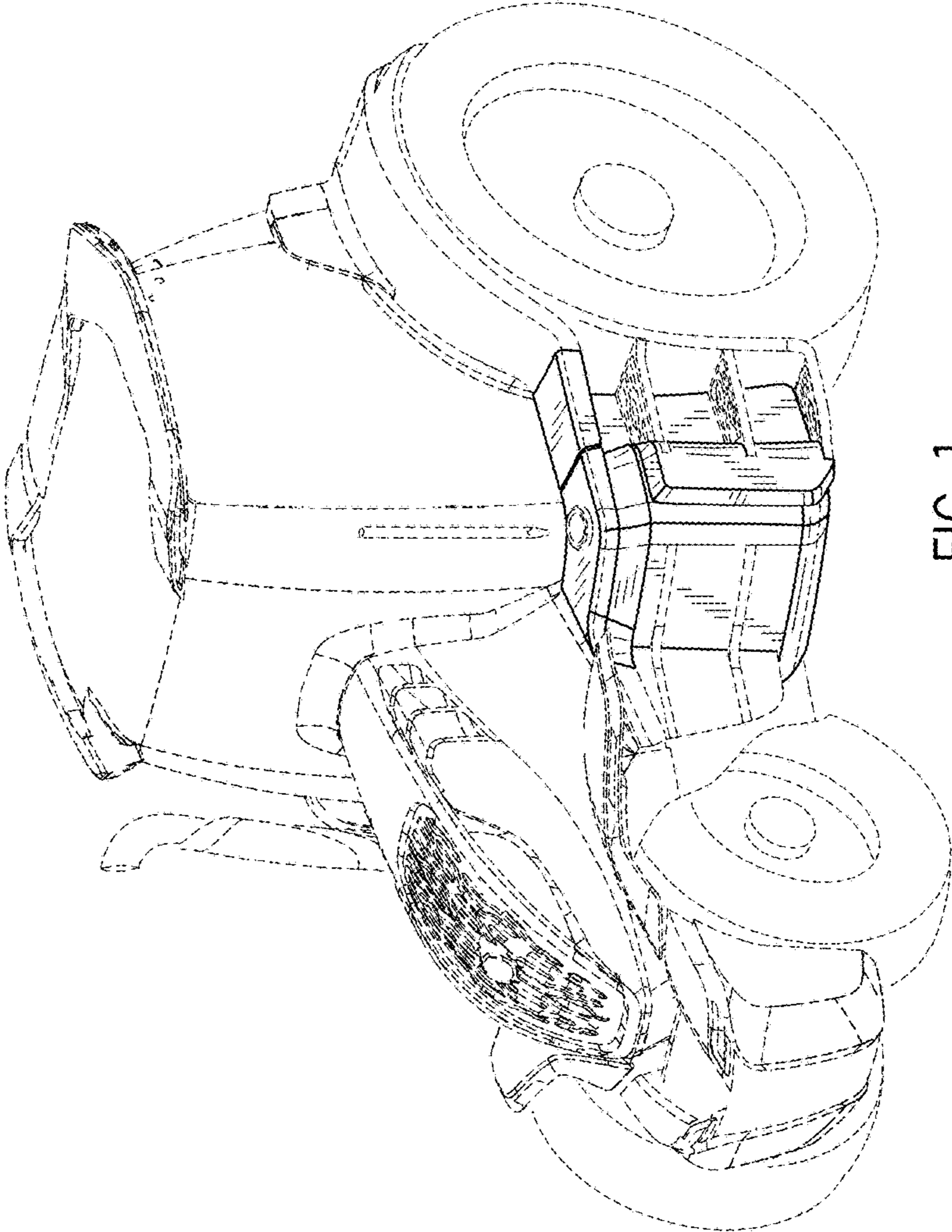


FIG. 1

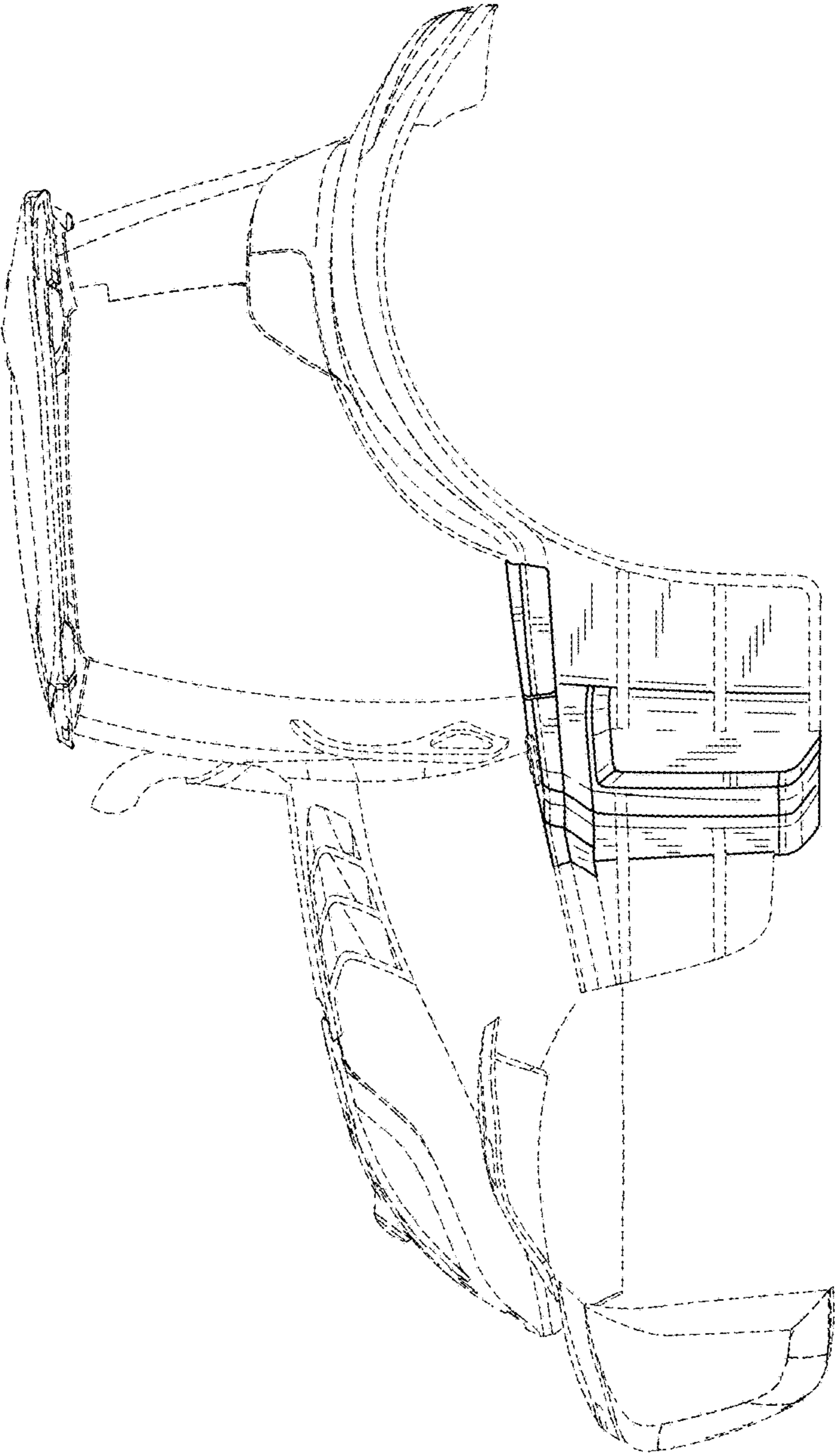


FIG. 2

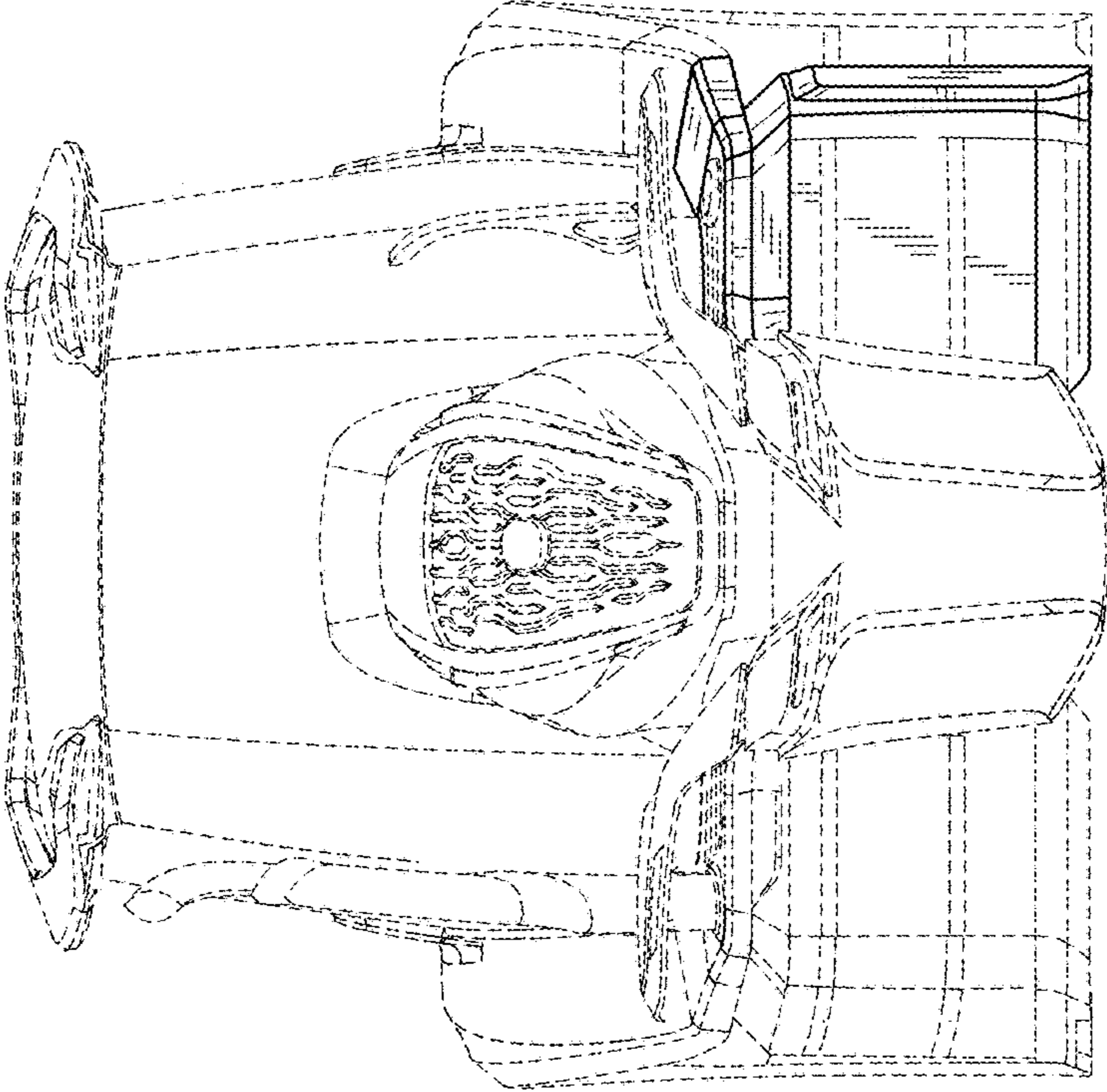


FIG. 3

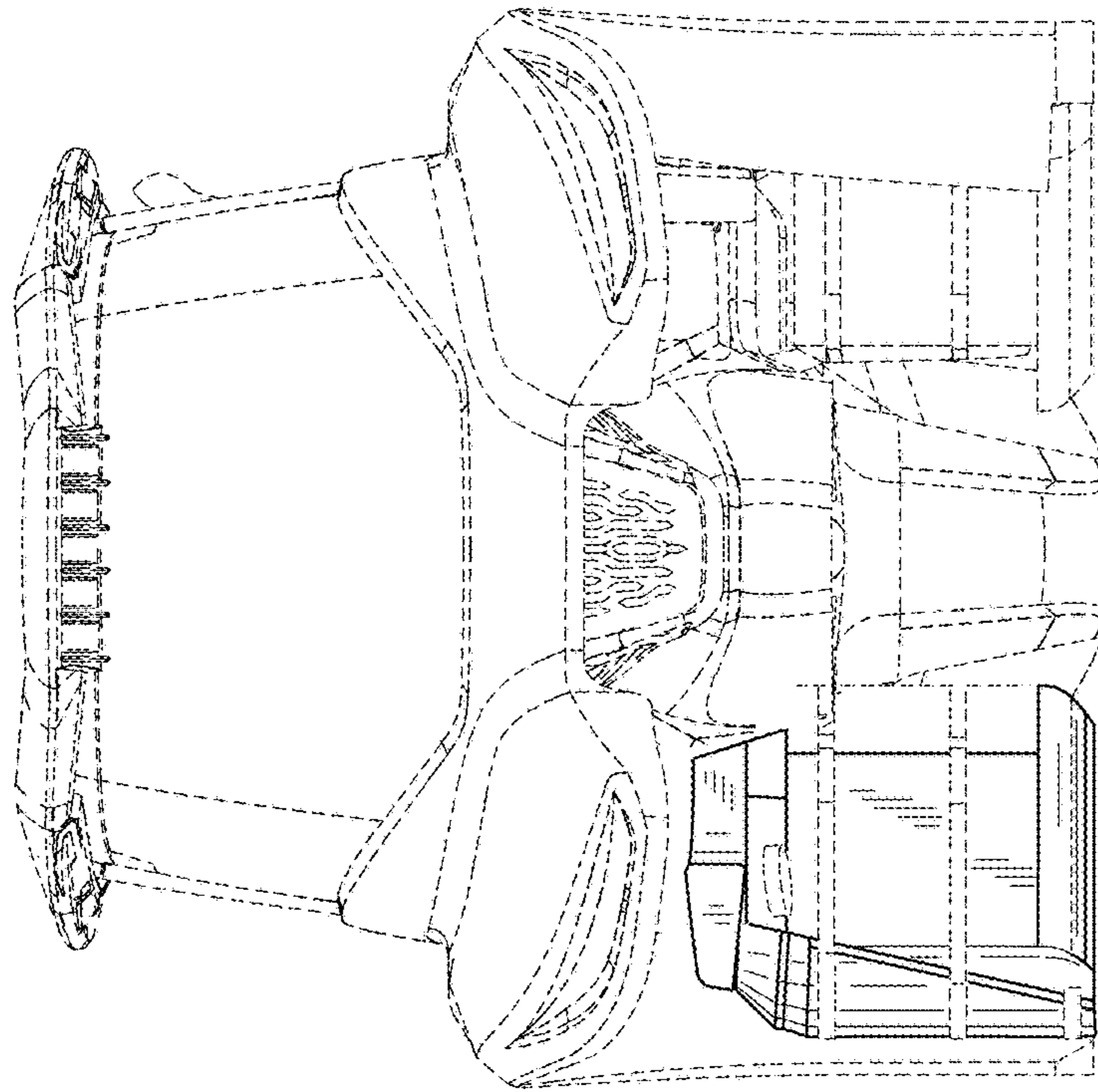


FIG. 4

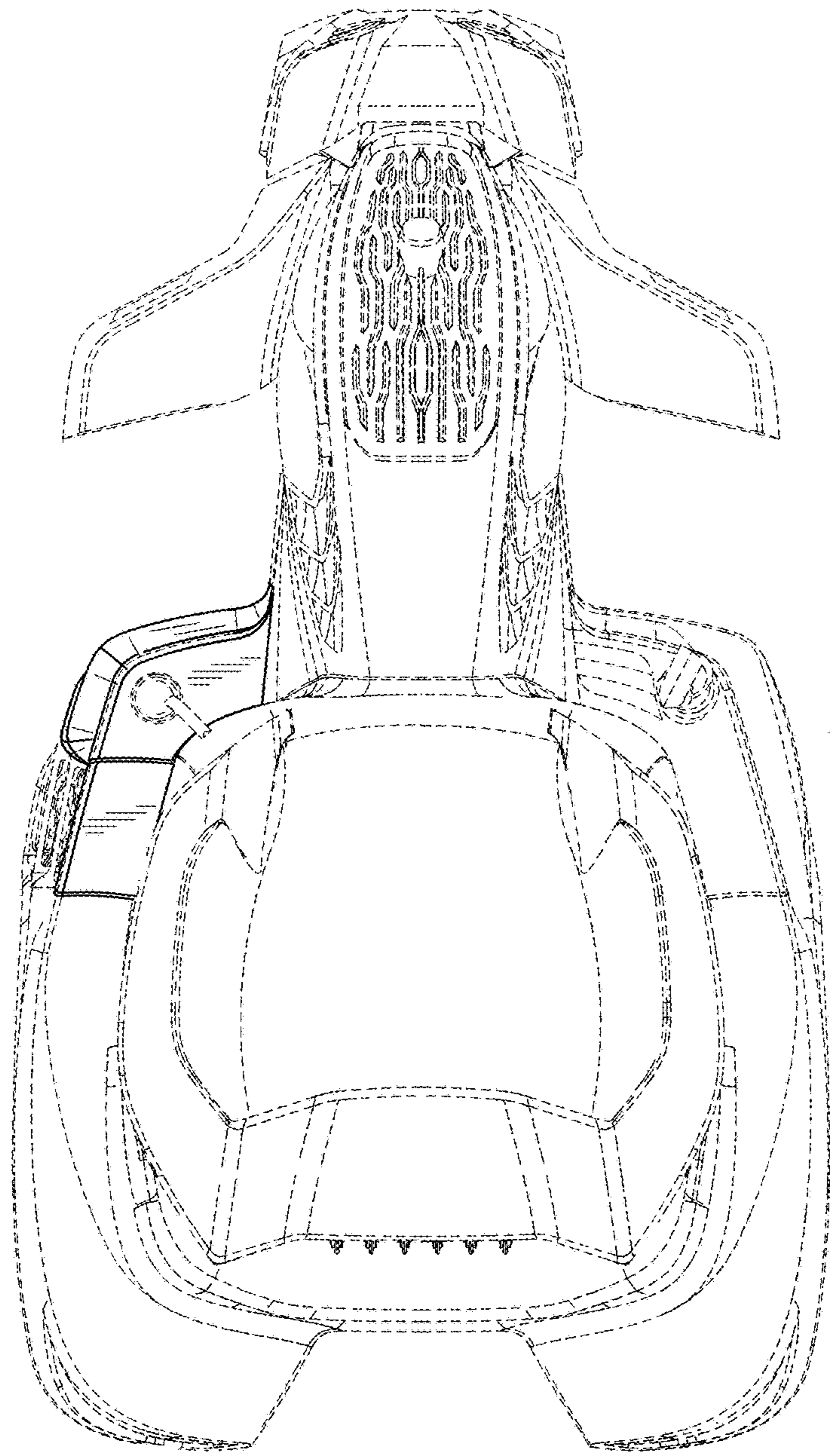


FIG. 5

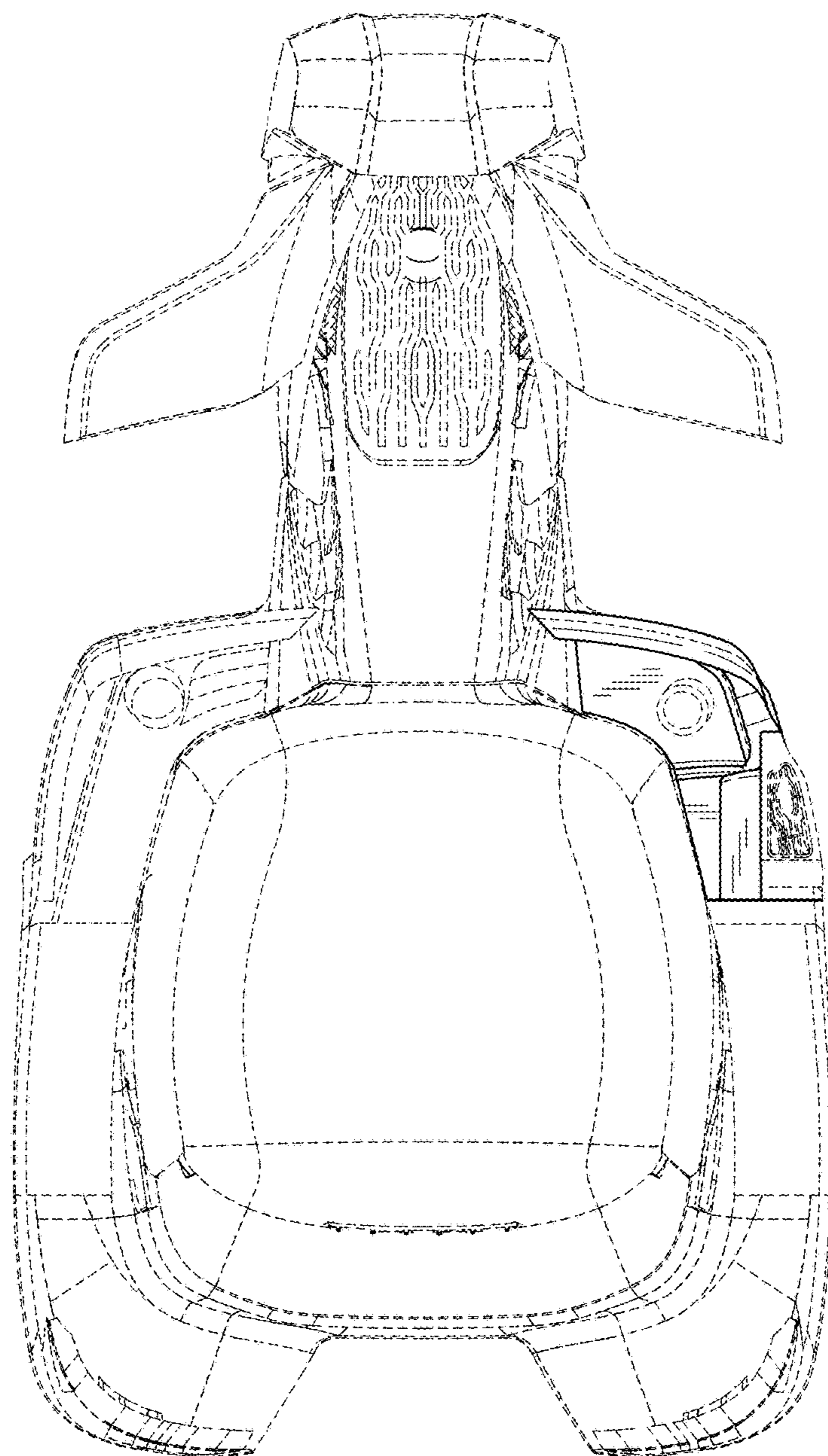


FIG. 6