



US00D841695S

(12) **United States Design Patent** (10) **Patent No.:** **US D841,695 S**  
**Pirollo et al.** (45) **Date of Patent:** **\*\* Feb. 26, 2019**

(54) **OIL COOLER MOUNTING BRACKET** 6,132,271 A \* 10/2000 Hebert ..... B63H 20/06  
440/53  
(71) Applicants: **Kevin Pirollo**, Byhalia, MS (US); **Devin Ray Bright**, Hickory Flat, MS (US) D616,287 S \* 5/2010 Lavoie ..... D8/354  
D672,287 S \* 12/2012 Noble ..... D12/159  
8,834,216 B1 \* 9/2014 Calamia ..... B63H 20/08  
114/274  
(72) Inventors: **Kevin Pirollo**, Byhalia, MS (US); **Devin Ray Bright**, Hickory Flat, MS (US) 9,284,031 B1 \* 3/2016 Pelini ..... B63H 20/06  
D791,982 S \* 7/2017 Coric ..... D25/199  
D815,151 S \* 4/2018 Layton ..... D15/5  
(\*\*) Term: **15 Years** 2011/0057407 A1 \* 3/2011 Noble ..... F16F 1/373  
280/124.1

(21) Appl. No.: **29/605,976**

\* cited by examiner

(22) Filed: **May 31, 2017**

*Primary Examiner* — T Chase Nelson

(51) **LOC (11) Cl.** ..... **15-01**

*Assistant Examiner* — Ania Aman

(52) **U.S. Cl.**  
USPC ..... **D15/5**

(57) **CLAIM**

(58) **Field of Classification Search**  
USPC ..... D15/1, 2, 3, 4, 5; D8/349, 354, 355,  
D8/363, 366, 371, 373, 380, 381, 382,  
D8/499; D12/223; D25/68; D23/322,  
D23/341

The ornamental design for an oil cooler mounting bracket, as shown and described.

CPC ..... F01M 5/002; F28F 9/007; F28F 9/0075;  
F28F 9/0131; F28D 2021/0089

**DESCRIPTION**

See application file for complete search history.

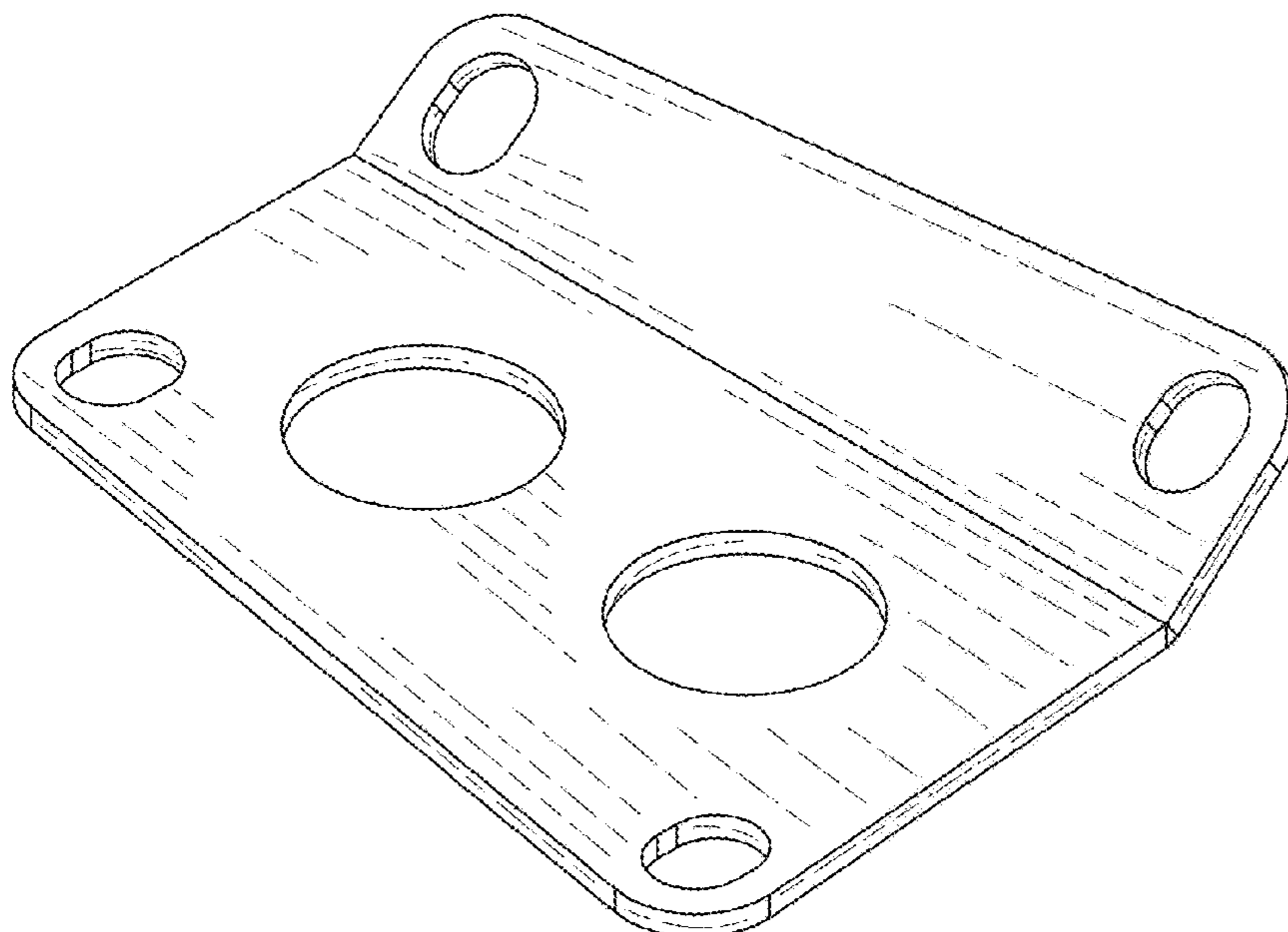
FIG. 1 is a perspective view of an oil cooler mounting bracket;  
FIG. 2 is a front elevational view thereof;  
FIG. 3 is a rear elevational view thereof;  
FIG. 4 is a right side elevational view thereof;  
FIG. 5 is a left side elevational view thereof;  
FIG. 6 is a top plan view thereof; and,  
FIG. 7 is a bottom plan view thereof.

(56) **References Cited**

U.S. PATENT DOCUMENTS

D59,397 S \* 10/1921 Wilson ..... D15/5  
RE16,093 E \* 6/1925 Wilson ..... D15/143  
D378,749 S \* 4/1997 Miller ..... D12/223

**1 Claim, 7 Drawing Sheets**



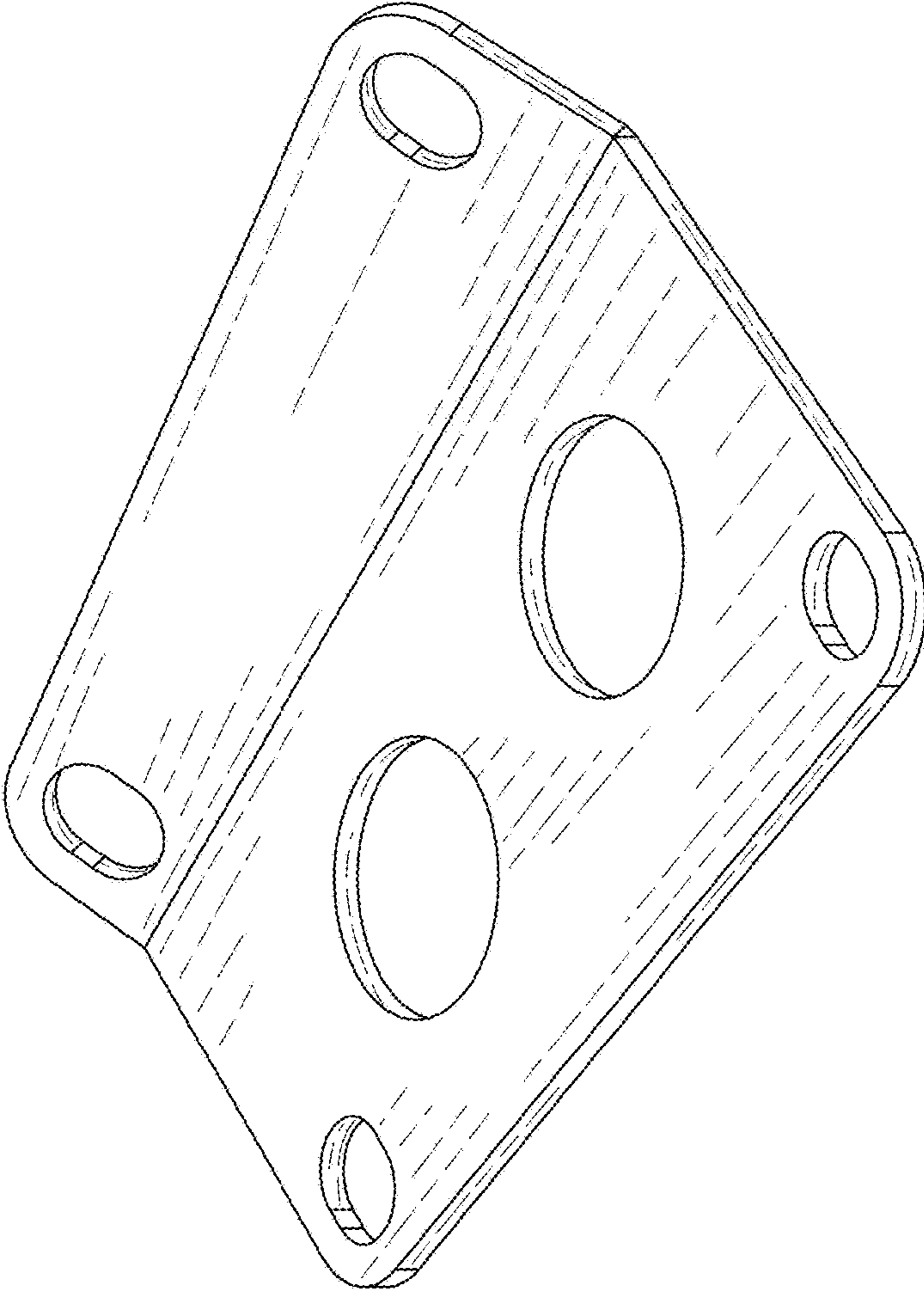


FIG. 1

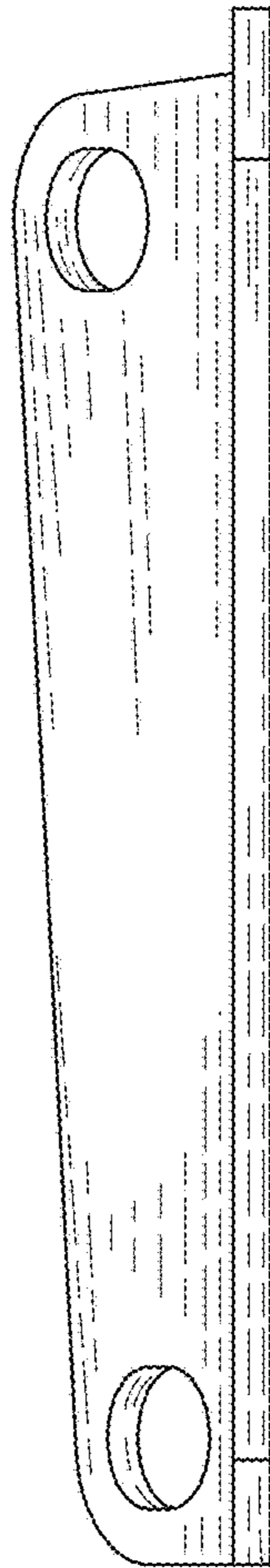


FIG. 2

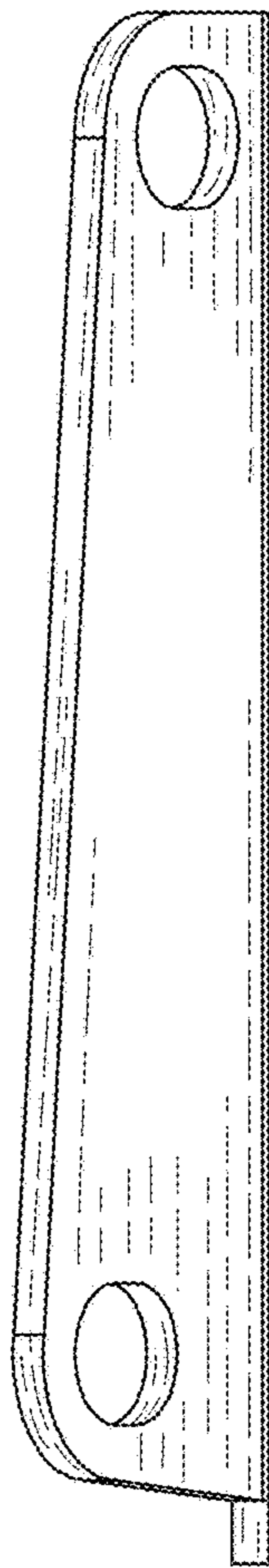


FIG. 3

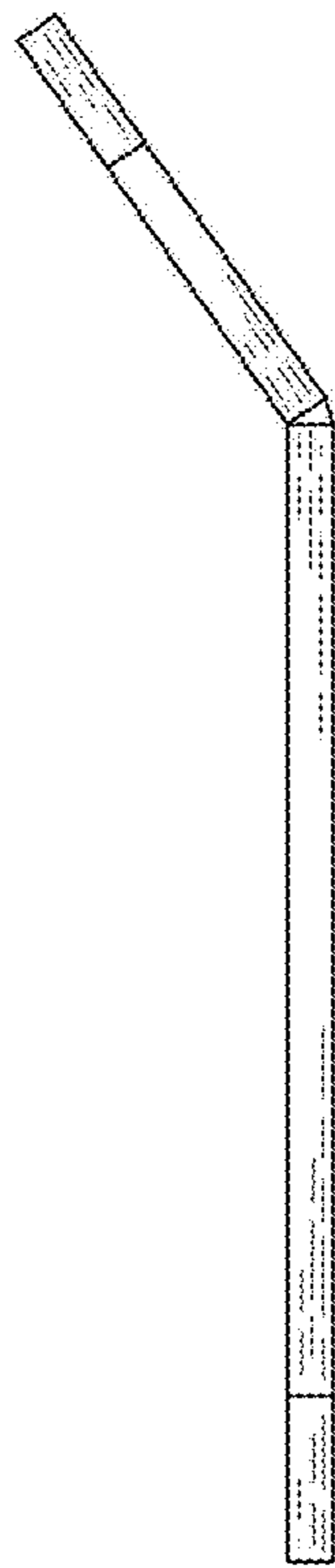


FIG. 4

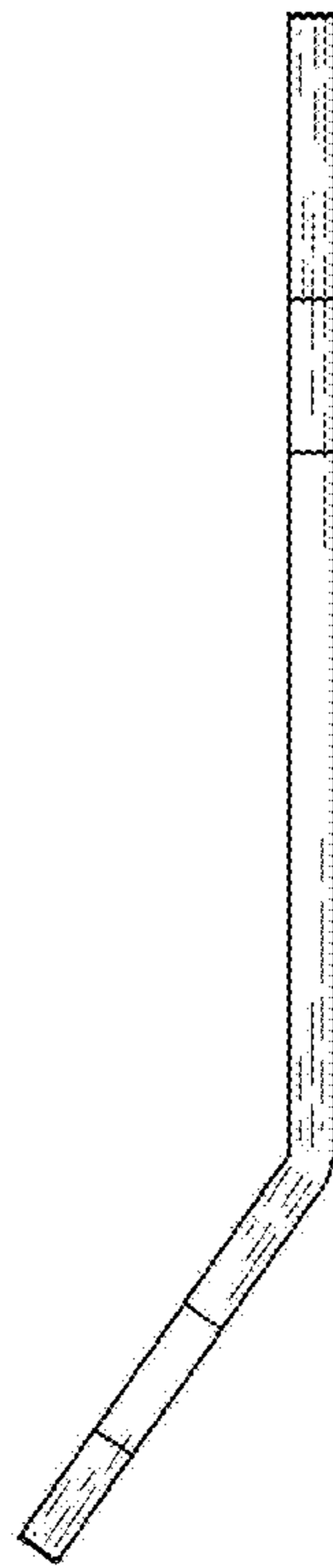


FIG. 5

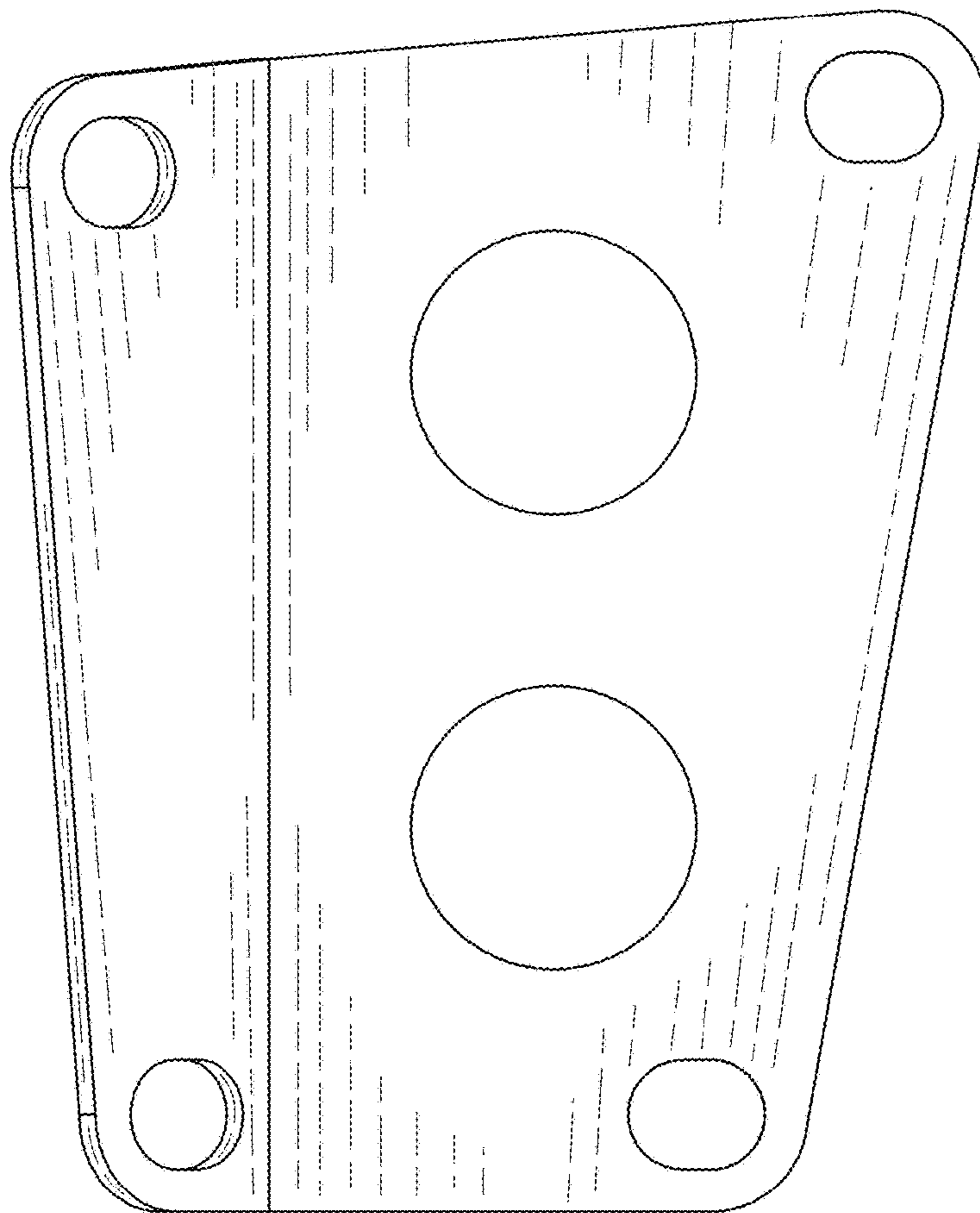


FIG. 6

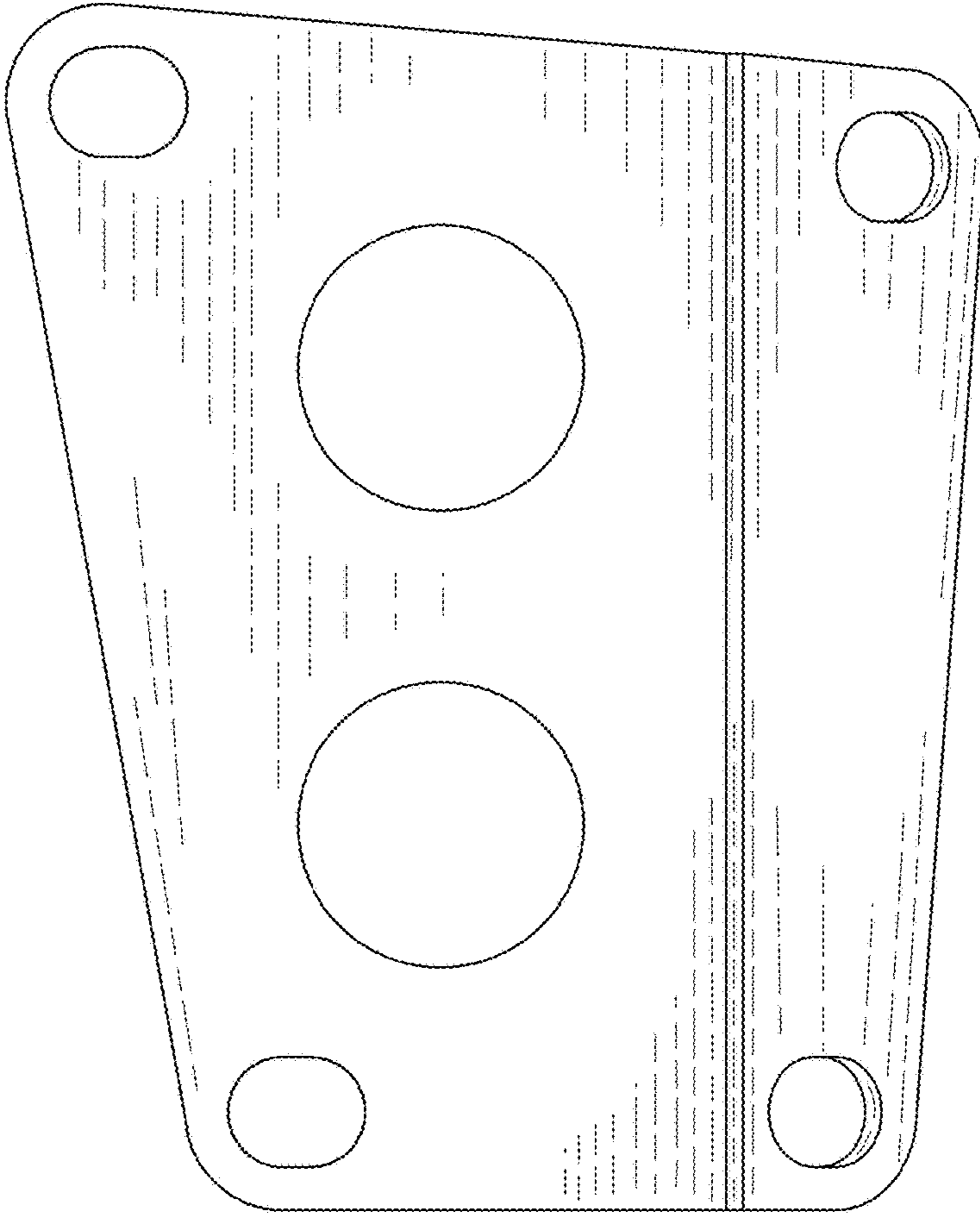


FIG. 7