

US00D841689S

(12) **United States Design Patent** (10) **Patent No.:** **US D841,689 S**
Wang et al. (45) **Date of Patent:** **** Feb. 26, 2019**

(54) **DISPLAY SCREEN WITH ICON**
(71) Applicant: **Google LLC**, Mountain View, CA (US)
(72) Inventors: **Mingling Wang**, San Jose, CA (US);
Shiyun Tan, Mountain View, CA (US)
(73) Assignee: **Google LLC**, Mountain View, CA (US)
(**) Term: **15 Years**
(21) Appl. No.: **29/619,987**
(22) Filed: **Oct. 3, 2017**
(51) **LOC (11) Cl.** **14-04**
(52) **U.S. Cl.**
USPC **D14/489**
(58) **Field of Classification Search**
USPC D14/485-495
CPC G06F 17/211; G06F 17/212; G06F 3/1251;
G06F 3/0481; G06F 2203/04807
See application file for complete search history.

D757,806 S * 5/2016 Choi D14/492
D758,430 S * 6/2016 Daniel D14/489
D758,444 S * 6/2016 Lee D14/493
D771,136 S * 11/2016 Lee D14/492
D772,933 S * 11/2016 Andis D14/490
D773,525 S * 12/2016 Quirino D14/488
D773,534 S * 12/2016 Yuk D14/495
D779,516 S * 2/2017 Pierson D14/486
D783,672 S * 4/2017 Rajasankar D14/488
D784,388 S * 4/2017 Kim D14/486
D788,161 S * 5/2017 Bauer D14/489
D792,465 S * 7/2017 Kang D14/492
D798,334 S * 9/2017 Dye D14/489
D798,336 S * 9/2017 Maccubbin D14/485
D801,350 S * 10/2017 Rejkowski D14/485
D801,390 S * 10/2017 Park D14/492
D803,241 S * 11/2017 Mizono D14/486
D803,880 S * 11/2017 Hohne D14/492
D804,492 S * 12/2017 Graham D14/485
D807,907 S * 1/2018 Dellinger D14/486
D810,778 S * 2/2018 Kwak D14/489
D815,127 S * 4/2018 Phillips D14/486
D816,115 S * 4/2018 Kwon D14/492
D817,337 S * 5/2018 Wei D14/485
D818,490 S * 5/2018 Jang D14/489
D818,491 S * 5/2018 Timmer D14/489

(Continued)

(56) **References Cited**
U.S. PATENT DOCUMENTS

D566,724 S * 4/2008 Pieratt D14/491
D619,593 S * 7/2010 Fujioka D14/485
D642,195 S * 7/2011 Marks D14/490
D667,446 S * 9/2012 Phelan D14/492
D686,241 S * 7/2013 Steele D14/489
D687,063 S * 7/2013 Myung D14/489
D688,268 S * 8/2013 Myung D14/491
D695,311 S * 12/2013 Jang D14/491
D698,820 S * 2/2014 Myung D14/491
D700,207 S * 2/2014 Pearson D14/488
D700,208 S * 2/2014 Phelan D14/488
D747,739 S * 1/2016 Sim D14/492
D748,139 S * 1/2016 Park D14/492
D753,673 S * 4/2016 Lin D14/485
D754,735 S * 4/2016 Yun D14/491

Primary Examiner — Darlington Ly
Assistant Examiner — Daniel J Domino
(74) *Attorney, Agent, or Firm* — Leason Ellis LLP

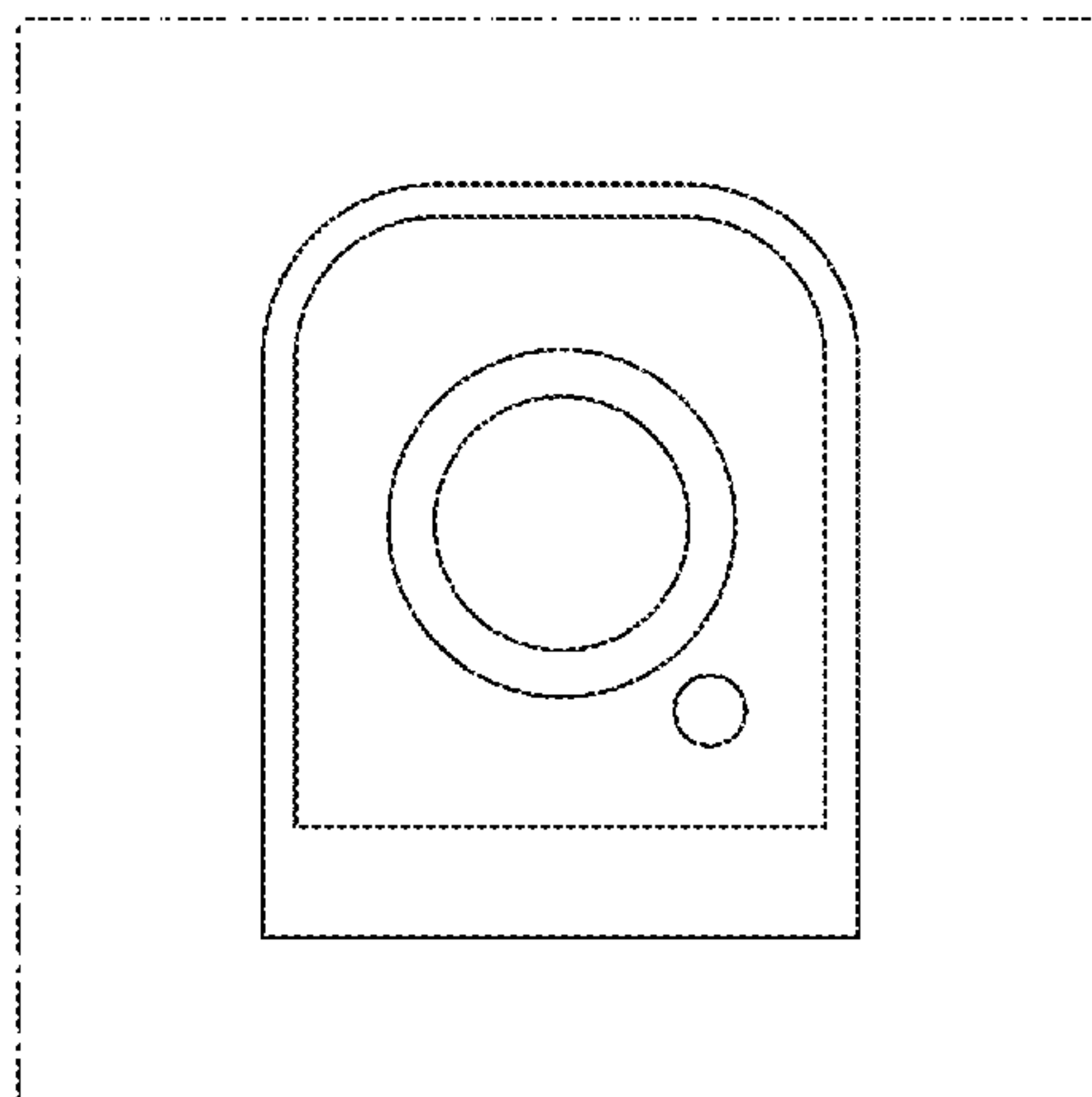
(57) **CLAIM**

The ornamental design for a display screen with icon, as shown and described.

DESCRIPTION

The FIGURE is a front view of a display screen with icon showing our new design.
The broken lines of uneven length depict a display screen and form no part of the claimed design.

1 Claim, 1 Drawing Sheet



(56)

References Cited

U.S. PATENT DOCUMENTS

D819,075 S * 5/2018 Tsuji D14/489
D819,076 S * 5/2018 Cho D14/489

* cited by examiner

