



US00D841688S

(12) **United States Design Patent** (10) **Patent No.:** **US D841,688 S**
Shivaji-Rao (45) **Date of Patent:** **** Feb. 26, 2019**

(54) **DISPLAY SCREEN OR PORTION THEREOF WITH ANIMATED GRAPHICAL USER INTERFACE**

D534,540 S * 1/2007 Frey D14/486
D560,415 S * 1/2008 Wood D7/334
D586,355 S 2/2009 Mori

(Continued)

(71) Applicant: **Nanolumens Acquisition, Inc.**,
Norcross, GA (US)

(72) Inventor: **Vishnu Shivaji-Rao**, Somerset, NJ
(US)

(73) Assignee: **Nanolumens Acquisition, Inc.**,
Norcross, GA (US)

(**) Term: **15 Years**

(21) Appl. No.: **29/662,897**

(22) Filed: **Sep. 10, 2018**

Related U.S. Application Data

(62) Division of application No. 29/568,540, filed on Jun. 20, 2016, now Pat. No. Des. 831,064.

(51) **LOC (11) Cl.** **14-04**

(52) **U.S. Cl.**
USPC **D14/488**

(58) **Field of Classification Search**
USPC D14/485-495
CPC ... B60K 37/00; G06F 3/0481; G06F 3/04845;
G06F 3/04817; G06F 17/212; G06F
19/3406; G06T 13/80; G06T 15/02
See application file for complete search history.

(56) **References Cited**

U.S. PATENT DOCUMENTS

D328,763 S * 8/1992 Laviana D18/26
D401,230 S 11/1998 Marshall, Jr.
D405,774 S 2/1999 Yui
6,212,547 B1 4/2001 Ludwig
6,848,081 B1 1/2005 Yoda
D525,632 S * 7/2006 Jost D14/490
D526,922 S * 8/2006 Stowers D10/103
D534,539 S * 1/2007 Frey D14/486

OTHER PUBLICATIONS

Symbol Sourcebook: An Authoritative Guide to International Graphic Symbols, McGraw Hill Book Company, New York, NY © 1972, pp. 70.*

(Continued)

Primary Examiner — Philip S Hyder

Assistant Examiner — Cary M Robinson

(74) *Attorney, Agent, or Firm* — Theodore Heske, III

(57) **CLAIM**

The ornamental design for a display screen or portion thereof with animated graphical user interface, as shown and described.

DESCRIPTION

FIG. 1 is the first image of a first embodiment for a display screen or portion thereof with animated graphical user interface showing our new design;

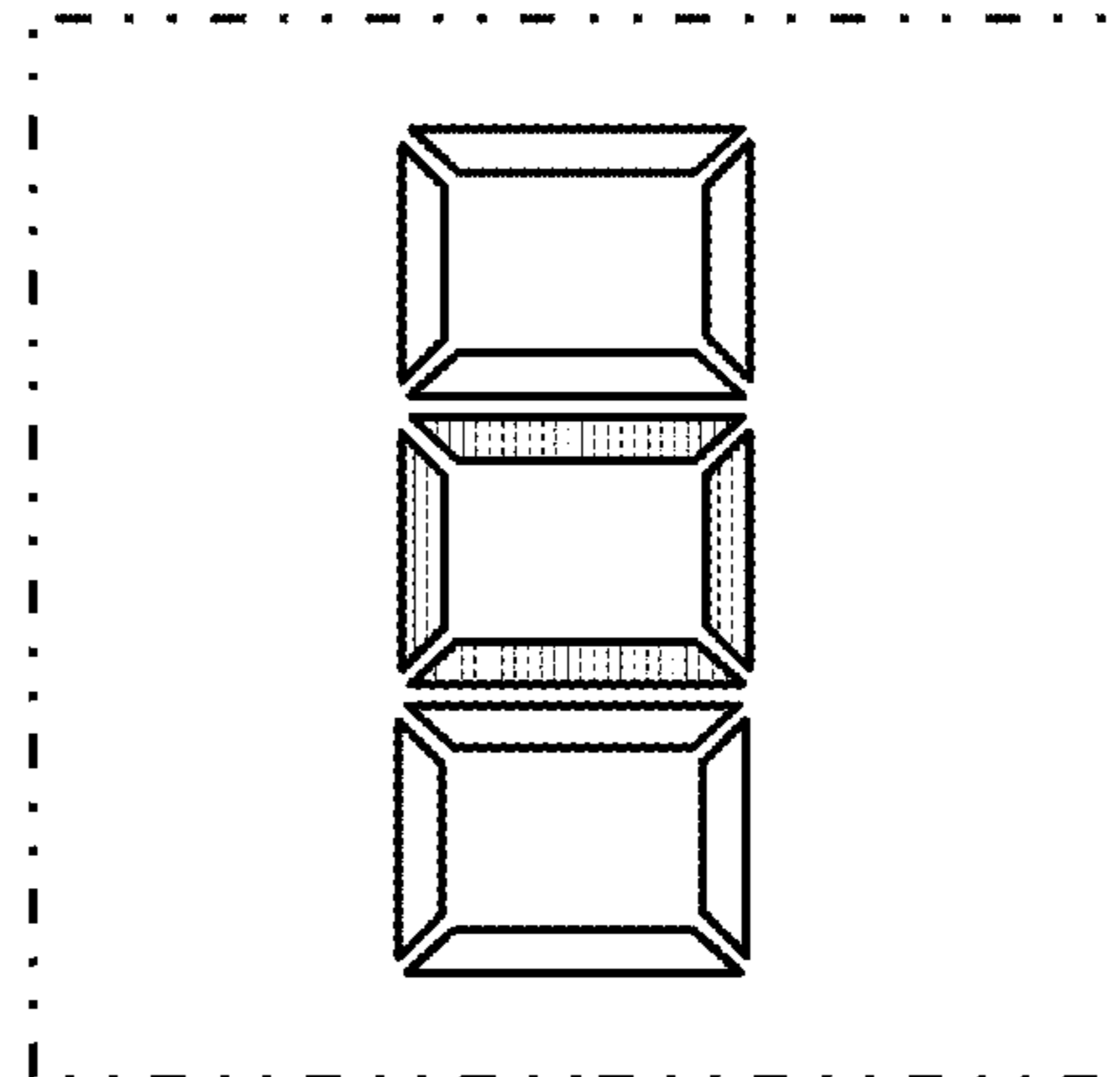
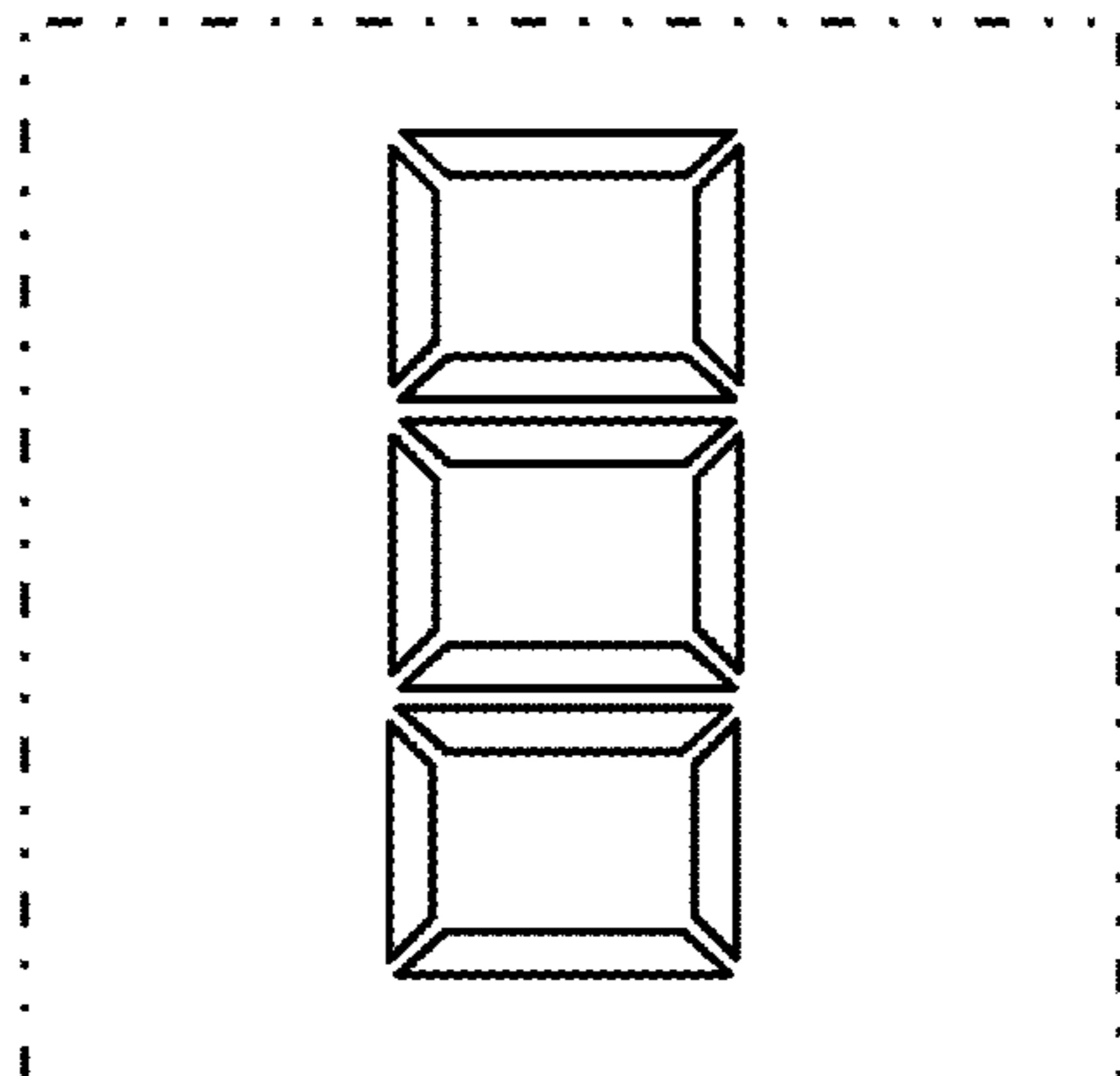
FIG. 2 is a second image thereof;

FIG. 3 is a first image of a second embodiment for a display screen or portion thereof with animated graphical user interface showing our new design; and,

FIG. 4 is a second image thereof.

The appearance of the animated graphical user interface sequentially transitions between the images shown in FIG. 1 and FIG. 2. The process or period in which one image transforms to another forms no part of the claimed design. In another embodiment, the appearance of the animated graphical user interface sequentially transitions between the images shown in FIG. 3 and FIG. 4. The process or period in which one image transforms to another forms no part of the claimed design.

1 Claim, 1 Drawing Sheet



(56)

References Cited

U.S. PATENT DOCUMENTS

D593,575 S * 6/2009 Ball D14/486
 D593,576 S * 6/2009 Ball D14/486
 D667,021 S * 9/2012 MacKenzie D14/486
 D675,218 S * 1/2013 Arnold D14/486
 D677,685 S * 3/2013 Simmons D14/486
 D680,130 S * 4/2013 Khan D14/486
 D702,698 S * 4/2014 d'Amore D14/485
 D708,083 S * 7/2014 Nardo D10/102
 D738,898 S * 9/2015 Herold D14/486
 D744,495 S * 12/2015 Bringue D14/485
 D749,621 S 2/2016 Gerhan
 D753,669 S * 4/2016 Chen D14/485
 9,310,981 B2 * 4/2016 Lynch G06F 9/44505
 D758,380 S * 6/2016 Park D14/485
 D758,426 S * 6/2016 Park D14/489
 D770,511 S 11/2016 Gerhan
 D778,939 S * 2/2017 Caro D14/488
 2005/0178144 A1 8/2005 Crisp
 2006/0239131 A1 10/2006 Nathan

2008/0112700 A1* 5/2008 Foxenland G03B 13/02
 396/148
 2011/0246932 A1* 10/2011 Van Roy G06F 3/0481
 715/780
 2014/0189593 A1* 7/2014 Kurita G06F 3/0488
 715/835
 2015/0047014 A1* 2/2015 Yoon G06F 21/36
 726/16
 2017/0181645 A1* 6/2017 Mahalingam A61B 5/0004

OTHER PUBLICATIONS

Symbol Sourcebook: An Authoritative Guide to International Graphic Symbols, McGraw Hill Book Company, New York, NY © 1972, pp. 114.*
 Trademark Serial No. 87080381, Jun. 22, 2016 (filing date), (Applicant) Go Sports Complex, LLC Limited Liability Company Texas.*
 Trademark Serial No. 87570732, Aug. 16, 2017 (filing date), (Applicant) Bridgestone Retail Operations, LLC Limited Liability Company Delaware.*

* cited by examiner

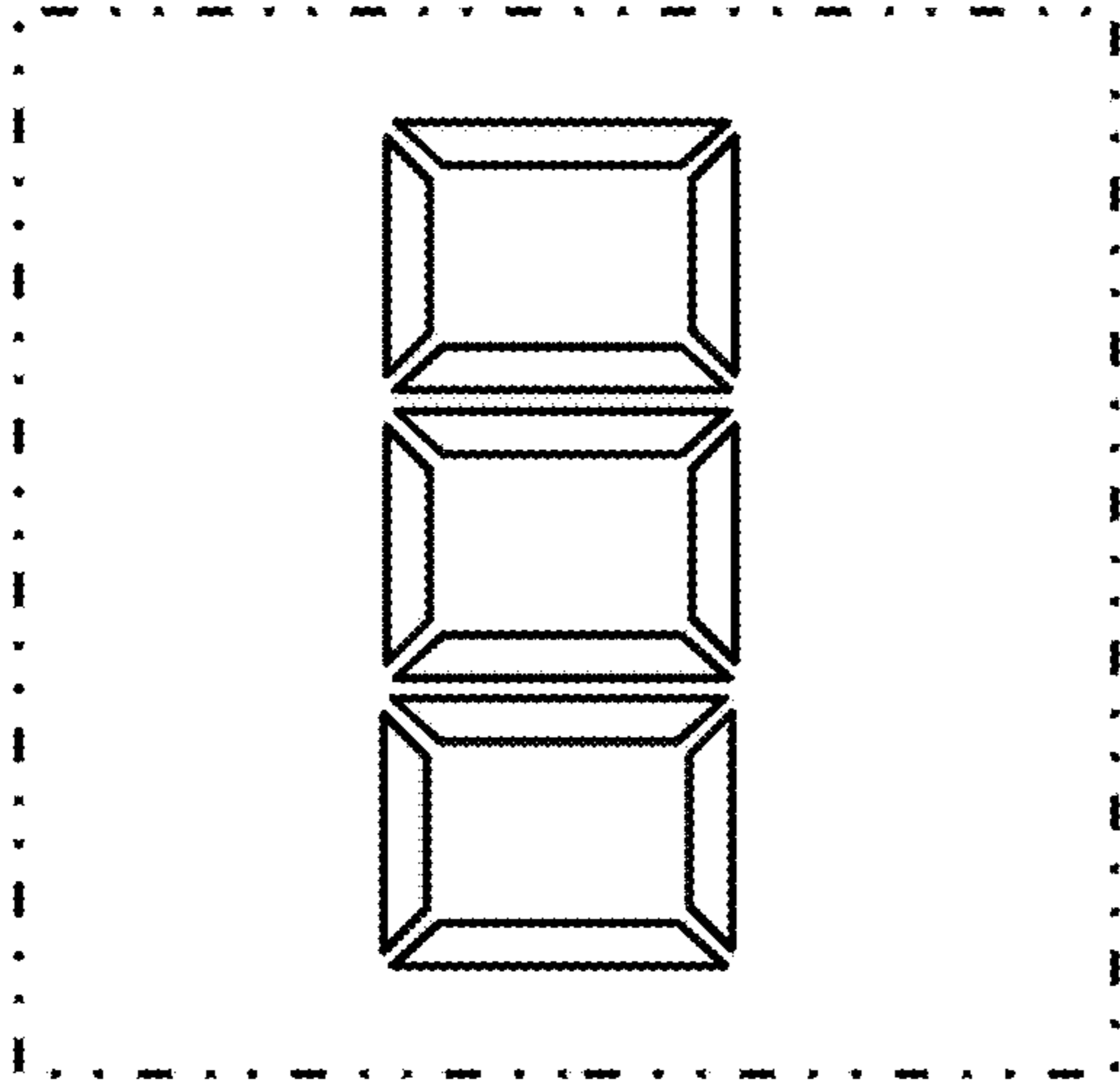


FIG 1

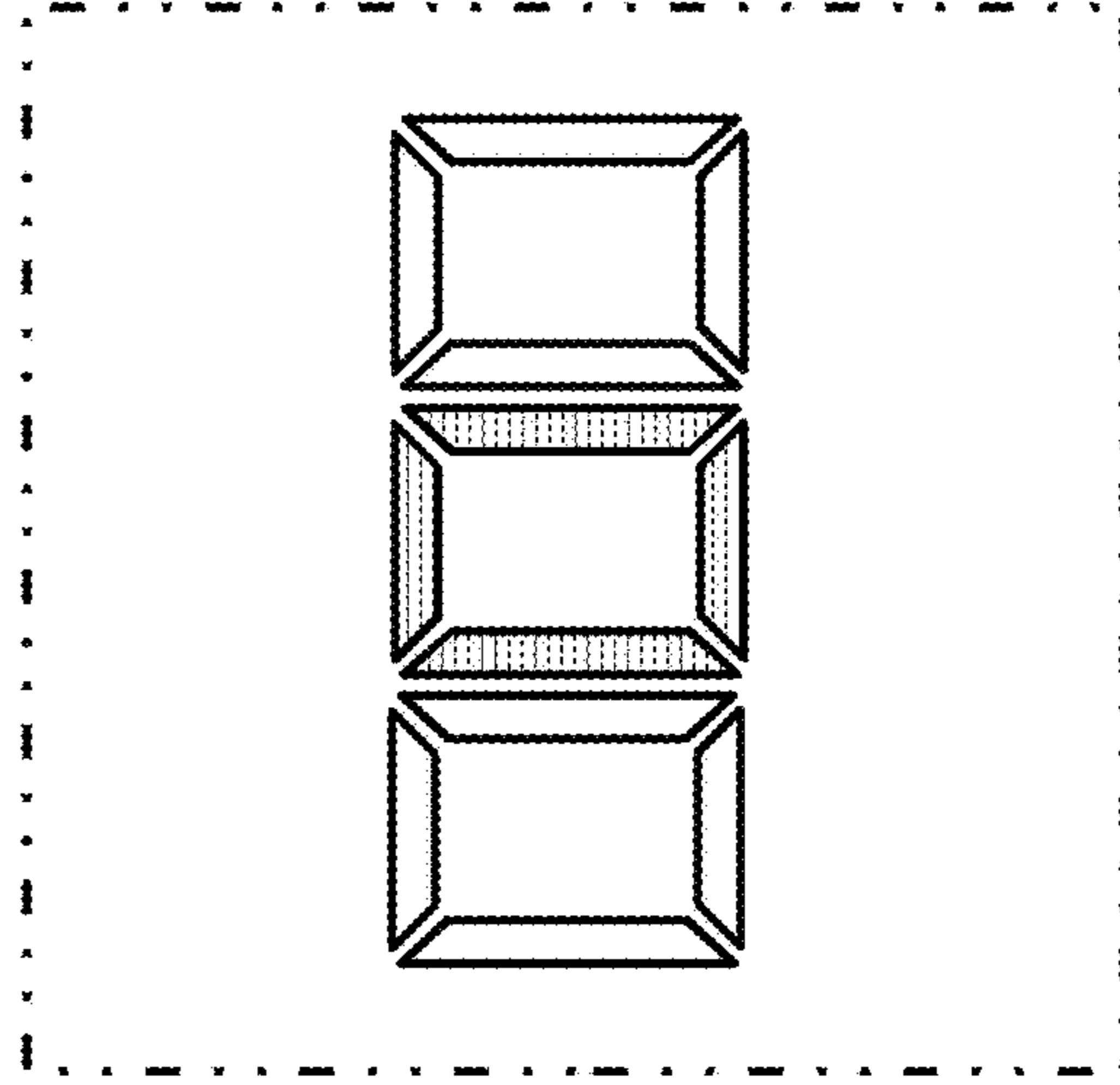


FIG 2

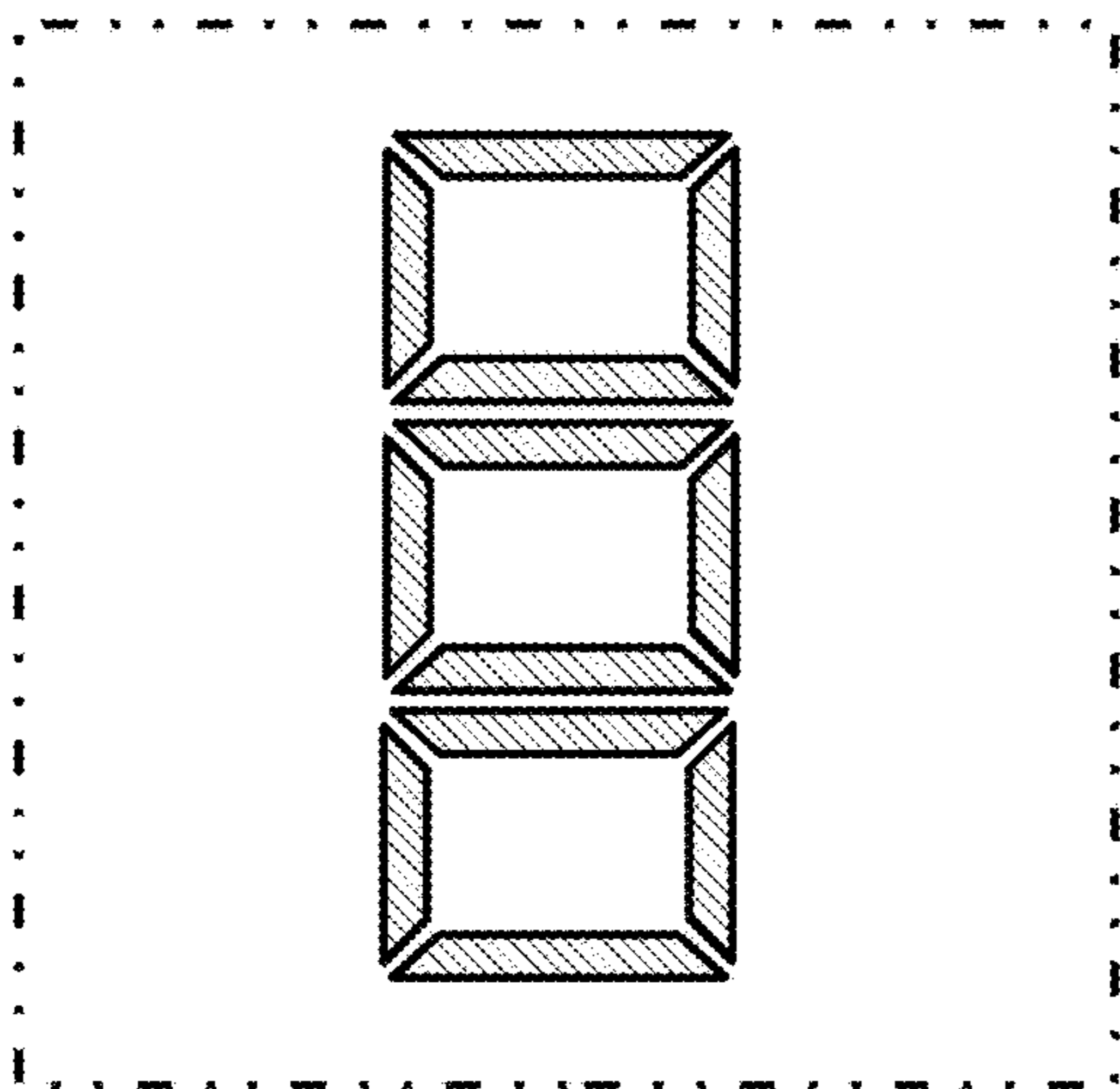


FIG 3

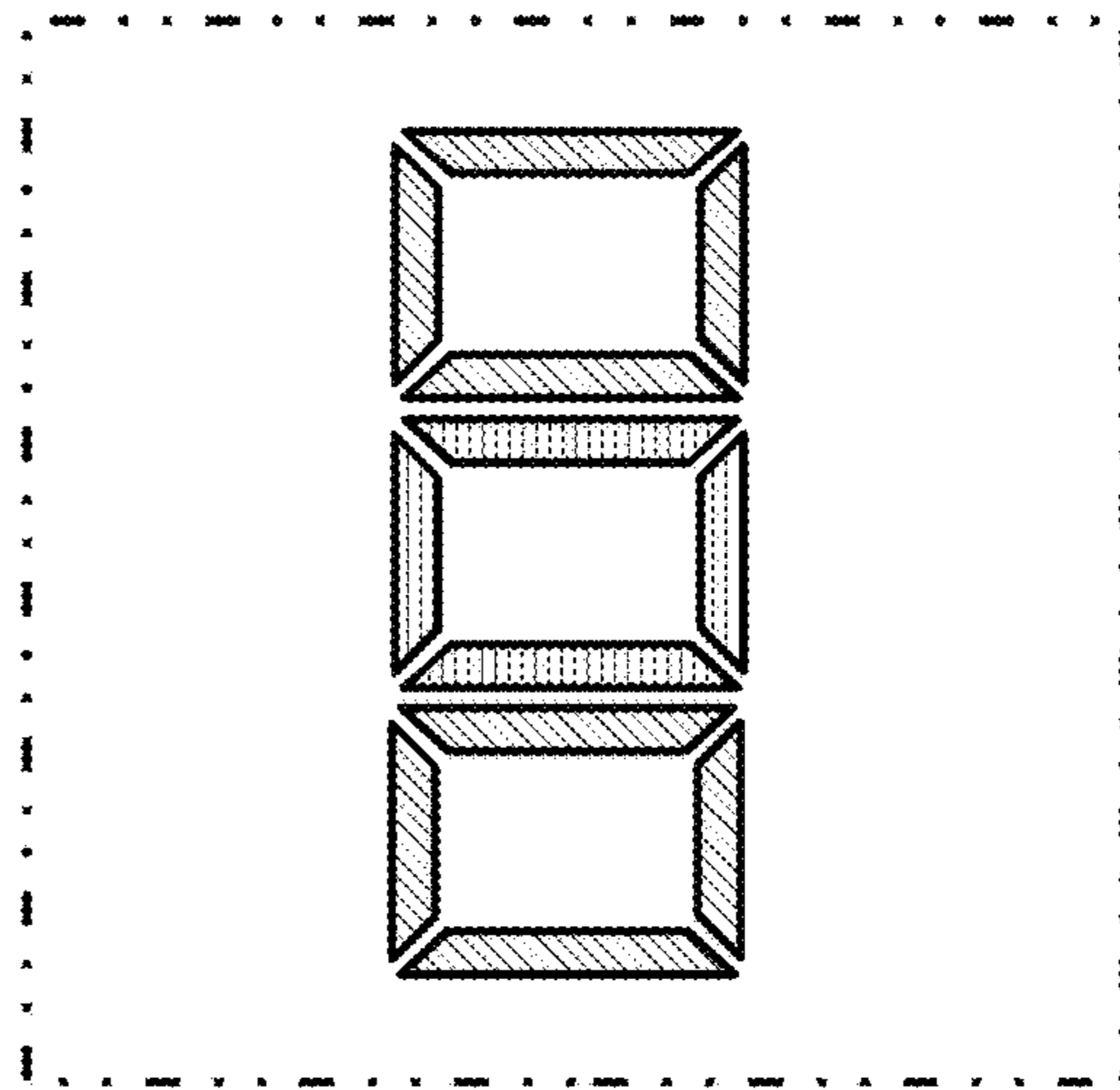


FIG 4