



US00D841671S

(12) **United States Design Patent** (10) **Patent No.:** **US D841,671 S**  
**Clavin et al.** (45) **Date of Patent:** **\*\* Feb. 26, 2019**

(54) **DISPLAY PANEL OR PORTION THEREOF OF AN ELECTRONIC NAVIGATION DEVICE WITH A COMPUTER GENERATED ICON**

(71) Applicants: **TomTom International B.V.**, Amsterdam (NL); **TomTom Navigation B.V.**, Amsterdam (NL)

(72) Inventors: **Neil Clavin**, Berlin (DE); **Jose Torr e**, Amsterdam (NL); **Sijtse Goverts**, Amsterdam (NL); **Bram van der Vlist**, Amsterdam (NL); **Sonja Radenkovic**, Amsterdam (NL); **Cees van Dok**, Amsterdam (NL); **Simone Tertoolen**, Rotterdam (NL)

(73) Assignees: **TOMTOM INTERNATIONAL B.V.**, Amsterdam (NL); **TOM TOM NAVIGATION B.V.**, Amsterdam (NL)

(\*\*) Term: **15 Years**

(21) Appl. No.: **29/580,667**

(22) Filed: **Oct. 12, 2016**

(51) **LOC (11) Cl.** ..... **14-04**

(52) **U.S. Cl.**  
USPC ..... **D14/486; D14/489**

(58) **Field of Classification Search**  
USPC ..... D14/485–495  
CPC ... G06F 3/04815; G09B 29/005; G09B 29/10; G01C 21/367; G01C 21/3667; G01C 21/3664

See application file for complete search history.

(56) **References Cited**

**U.S. PATENT DOCUMENTS**

D273,799 S \* 5/1984 Darrell ..... D10/109.1  
D393,845 S \* 4/1998 Wanishi ..... D14/491

D400,522 S \* 11/1998 Waldner ..... D14/491  
D425,499 S \* 5/2000 Millington ..... D14/488  
D487,467 S \* 3/2004 Hsu ..... D14/489  
D544,876 S \* 6/2007 Yamazaki ..... D14/486  
D591,305 S \* 4/2009 Shimoda ..... D14/485  
D601,169 S \* 9/2009 LaManna ..... D14/492  
D641,762 S \* 7/2011 Matas ..... D14/486  
D710,370 S \* 8/2014 Inose ..... D14/486  
D718,783 S \* 12/2014 Inose ..... D14/487  
D729,273 S \* 5/2015 Mariet ..... D14/491  
D730,364 S \* 5/2015 Inose ..... D14/485  
D739,859 S \* 9/2015 Inose ..... D14/485  
D753,721 S \* 4/2016 Mariet ..... D14/491  
D754,203 S \* 4/2016 Mariet ..... D14/491

(Continued)

*Primary Examiner* — Darlington Ly  
*Assistant Examiner* — Katherine A Holbrow

(57) **CLAIM**

The ornamental design for a display panel or portion thereof of an electronic navigation device with a computer generated icon, as shown and described.

**DESCRIPTION**

FIG. 1 is a front view of a display panel or portion thereof of an electronic navigation device with a computer generated icon showing a first embodiment of the claimed design. FIG. 2 shows a second embodiment thereof; FIG. 3 shows a third embodiment thereof; FIG. 4 shows a fourth embodiment thereof; and, FIG. 5 shows a perspective view of an electronic navigation device showing the design of FIG. 1. The broken line showing of the navigation device in FIG. 5 is included for the purpose of illustrating environmental structure and forms no part of the claimed design. The broken line showing of portions of the display screen and portions of the graphical user interface in FIGS. 1-5 are included for the purpose of illustrating portions of the article and form no part of the claimed design.

**1 Claim, 3 Drawing Sheets**



(56)

**References Cited**

## U.S. PATENT DOCUMENTS

D765,713 S \* 9/2016 Mariet ..... D14/486  
D766,304 S \* 9/2016 Mariet ..... D14/486  
D769,935 S \* 10/2016 Hall ..... D14/489  
D778,317 S \* 2/2017 Lee ..... D14/492  
D780,197 S \* 2/2017 Mariet ..... D14/485  
D800,143 S \* 10/2017 Inose ..... D14/485  
2002/0013659 A1 \* 1/2002 Kusama ..... G01C 21/3635  
701/437  
2006/0173615 A1 \* 8/2006 Pinkus ..... G01C 21/362  
701/454  
2011/0106426 A1 \* 5/2011 Tertoolen ..... G01C 21/3476  
701/533  
2011/0264362 A1 \* 10/2011 Van Raamsdonk ..... G06T 17/05  
701/532  
2016/0252363 A1 \* 9/2016 Tertoolen ..... G01C 21/3635  
701/410  
2017/0052035 A1 \* 2/2017 Dorum ..... G06F 3/04842  
2017/0263116 A1 \* 9/2017 Lorenz ..... G08G 1/0125  
2017/0314945 A1 \* 11/2017 Konig ..... G01C 21/3415

\* cited by examiner



FIG. 1



FIG. 2



FIG. 3



FIG. 4

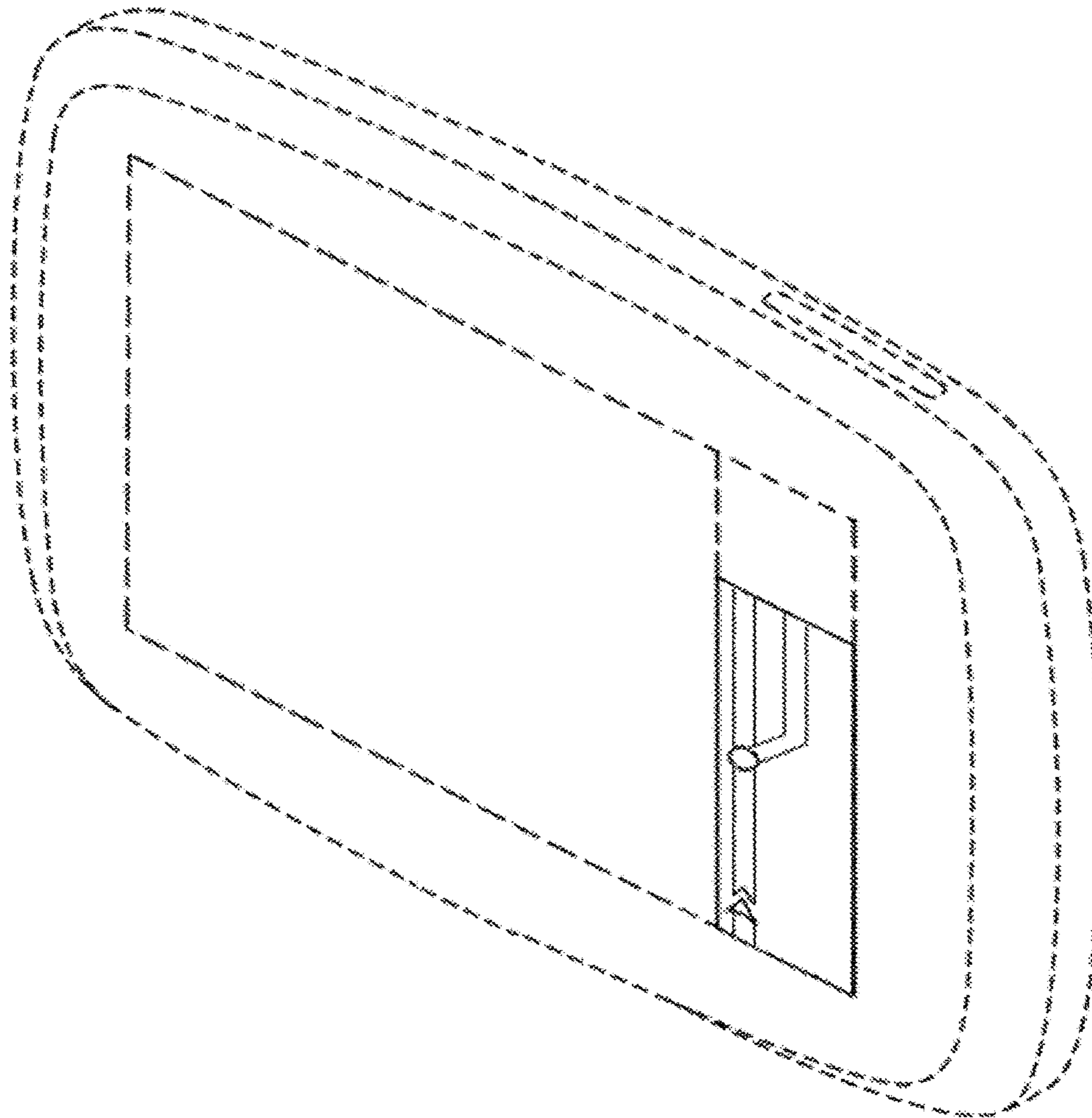


FIG. 5