



US00D841664S

(12) **United States Design Patent** (10) **Patent No.:** **US D841,664 S**
Butcher et al. (45) **Date of Patent:** **** Feb. 26, 2019**

(54) **DISPLAY SCREEN OR PORTION THEREOF WITH A SET OF GRAPHICAL USER INTERFACES**

(71) Applicant: **Apple Inc.**, Cupertino, CA (US)

(72) Inventors: **Gary Butcher**, San Jose, CA (US); **Imran Chaudhri**, San Francisco, CA (US); **Alan C. Dye**, San Francisco, CA (US); **Aurelio Guzmán**, San Jose, CA (US); **Britt Nelson**, San Francisco, CA (US); **Wan Si Wan**, Sunnyvale, CA (US)

(73) Assignee: **Apple Inc.**, Cupertino, CA (US)

(**) Term: **15 Years**

(21) Appl. No.: **29/628,359**

(22) Filed: **Dec. 4, 2017**

Related U.S. Application Data

(63) Continuation of application No. 29/583,589, filed on Nov. 7, 2016, now Pat. No. Des. 804,523, which is a continuation of application No. 29/501,109, filed on Sep. 1, 2014, now Pat. No. Des. 772,284, and a continuation of application No. 29/540,798, filed on Sep. 28, 2015, now Pat. No. Des. 771,128, which is a continuation of application No. 29/501,109, filed on Sep. 1, 2014, now Pat. No. Des. 772,284, said application No. 29/583,589 is a continuation of (Continued)

(51) **LOC (11) Cl.** **14-04**

(52) **U.S. Cl.**
USPC **D14/485**

(58) **Field of Classification Search**
USPC D14/485-495; 715/757, 835, 841; 345/156; 348/E5.102; 700/94; 214/54
CPC H04L 12/1822; G06F 3/04817; G06F 3/04815; G06F 3/0482; G06F 1/16; A61K 31/353; G10H 1/0041

See application file for complete search history.

(56) **References Cited**

U.S. PATENT DOCUMENTS

D119,256 S 3/1940 Darling
3,630,137 A 12/1971 Stimson et al.

(Continued)

OTHER PUBLICATIONS

Trademark Serial No. 78735768, Microsoft Corporation, filing date Oct. 18, 2005.

(Continued)

Primary Examiner — Rhea Shields

(74) *Attorney, Agent, or Firm* — Sterne, Kessler, Goldstein & Fox P.L.L.C.

(57) **CLAIM**

The ornamental design for a display screen or portion thereof with a set of graphical user interfaces, as shown and described.

DESCRIPTION

The file of this patent contains at least one drawing/photograph executed in color. Copies of this patent with color drawing(s)/photograph(s) will be provided by the Office upon request and payment of the necessary fee.

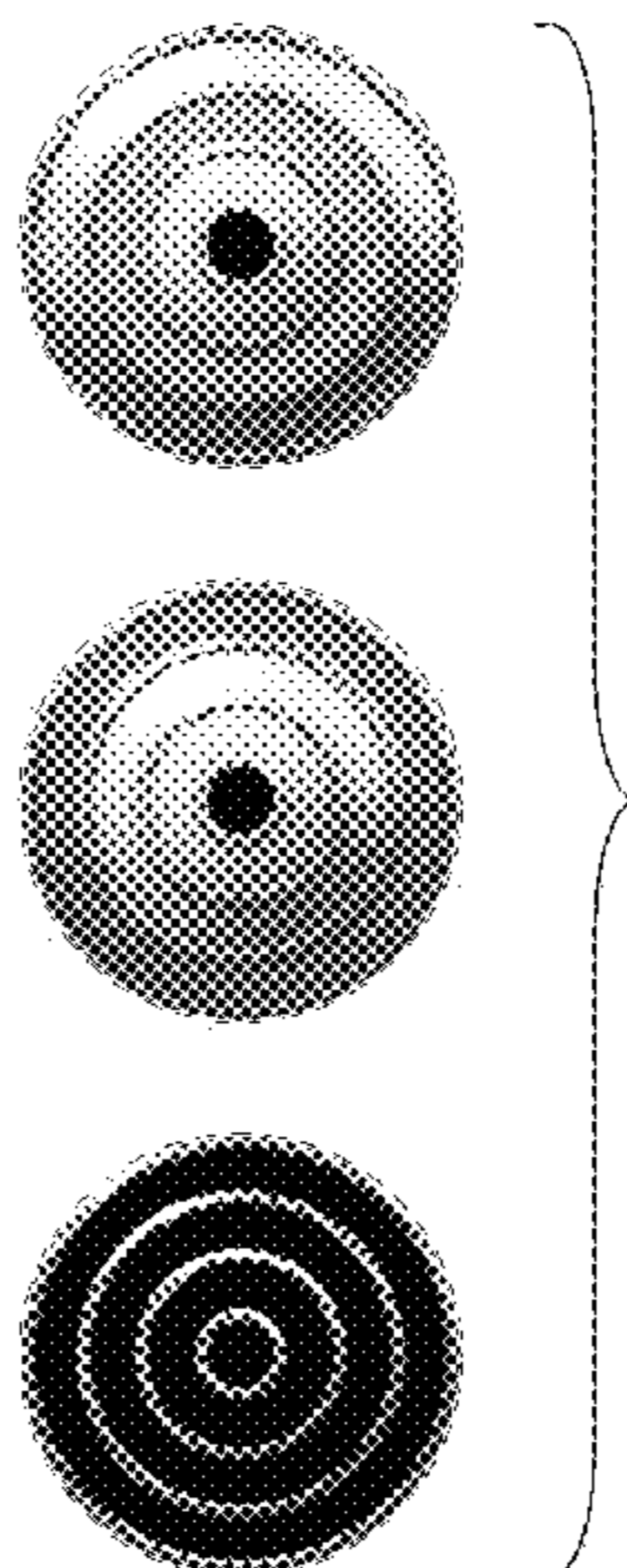
FIG. 1 is a front view of a display screen or portion thereof with a set of graphical user interfaces showing the claimed design; and,

FIG. 2 is another front view thereof.

The broken lines in the figures show a display screen or portion thereof, and form no part of the claimed design.

The graphical user interface sets of FIGS. 1 and 2 are arranged on the drawing sheets for the convenience of illustration and their relative positioning forms no part of the claimed design.

1 Claim, 2 Drawing Sheets
(1 of 2 Drawing Sheet(s) Filed in Color)



Related U.S. Application Data

application No. 29/540,778, filed on Sep. 28, 2015, now Pat. No. Des. 775,150, which is a continuation of application No. 29/501,109, filed on Sep. 1, 2014, now Pat. No. Des. 772,284.

(56)

References Cited

U.S. PATENT DOCUMENTS

3,678,823 A 7/1972 Sato
 4,322,144 A 3/1982 Suzuki et al.
 D270,271 S 8/1983 Steele
 4,431,288 A 2/1984 Iwata et al.
 D283,807 S * 5/1986 Dobbins D11/77
 D308,988 S * 7/1990 Green D20/11
 D396,455 S 7/1998 Bier
 5,798,760 A 8/1998 Vayda et al.
 5,892,507 A 4/1999 Moorby et al.
 6,137,960 A 10/2000 Komatsuzaki et al.
 D437,342 S 2/2001 Kramer et al.
 D450,711 S 11/2001 Istvan et al.
 D474,197 S 5/2003 Nguyen
 D476,488 S 7/2003 White, Jr.
 D500,766 S 1/2005 Hanisch et al.
 D505,135 S 5/2005 Sapp et al.
 D510,583 S 10/2005 Vong
 7,006,132 B2 2/2006 Pereira et al.
 D525,981 S 8/2006 Hally et al.
 D536,343 S 2/2007 Fong et al.
 D540,337 S 4/2007 Parta
 D544,496 S 6/2007 Evans et al.
 D545,323 S 6/2007 Decombe
 D554,145 S * 10/2007 O'Donnell D14/489
 7,305,622 B2 12/2007 Cohen et al.
 D563,965 S 3/2008 Van Dongen et al.
 7,343,565 B2 3/2008 Ying et al.
 D568,770 S 5/2008 Tseng
 7,367,723 B2 5/2008 Matusik et al.
 D582,935 S 12/2008 Lee et al.
 D590,416 S 4/2009 Kochackis
 D593,580 S 6/2009 Truelove et al.
 D597,101 S 7/2009 Chaudhri et al.
 D602,945 S 10/2009 Watanabe et al.
 D604,305 S 11/2009 Anzures et al.
 D606,081 S * 12/2009 Parker D14/485
 D606,091 S 12/2009 O'Donnell et al.
 D606,551 S 12/2009 Willis
 D611,952 S 3/2010 Berg et al.
 D612,398 S 3/2010 Lemay
 D614,645 S * 4/2010 Kristensson D14/487
 D615,096 S 5/2010 Muhlfelder
 7,719,542 B1 5/2010 Gough et al.
 D617,334 S 6/2010 Chaudhri et al.
 D617,338 S 6/2010 McCain et al.
 D622,733 S * 8/2010 Lal D14/488
 D623,656 S 9/2010 Fitzmaurice et al.
 D625,320 S 10/2010 Woods et al.
 D627,360 S 11/2010 Aarseth
 D628,580 S * 12/2010 Pearson D14/488
 D637,201 S 5/2011 Wasko et al.
 D641,374 S 7/2011 Fletcher et al.
 D642,588 S 8/2011 Anzures
 D644,239 S 8/2011 Anzures et al.
 D644,242 S 8/2011 Matas
 D644,243 S 8/2011 Matas
 D645,470 S 9/2011 Matas
 D647,914 S 11/2011 Brouwers
 D650,793 S 12/2011 Impas et al.
 8,077,153 B2 12/2011 Benko et al.
 D654,925 S 2/2012 Nishizawa et al.
 D659,159 S 5/2012 Matas
 8,230,339 B2 7/2012 Watanabe et al.
 D667,019 S 9/2012 Chaudhri
 D667,427 S * 9/2012 Randall D14/489
 D669,497 S 10/2012 Lee et al.
 D676,060 S 2/2013 Frost et al.

8,386,961 B2 2/2013 Buffet et al.
 D684,586 S 6/2013 Plesnicher et al.
 D686,218 S 7/2013 Anzures et al.
 D686,245 S 7/2013 Gardner et al.
 D687,460 S 8/2013 Tyler et al.
 8,612,151 B2 12/2013 Winkler et al.
 D697,523 S 1/2014 Oda et al.
 8,630,801 B2 1/2014 Katzer
 D702,710 S 4/2014 van Os
 D704,220 S 5/2014 Lim et al.
 D706,283 S 6/2014 Pedraza Padilla et al.
 D709,091 S 7/2014 Kwon et al.
 D710,371 S 8/2014 van Os
 D711,909 S 8/2014 Chaudhri
 D712,909 S * 9/2014 Francisco D14/485
 D721,724 S 1/2015 Horst et al.
 D723,060 S * 2/2015 Daniel D14/492
 D726,219 S 4/2015 Chaudhri et al.
 D728,616 S 5/2015 Gomez et al.
 D730,397 S 5/2015 Oh et al.
 D731,541 S 6/2015 Lee
 D735,754 S 8/2015 Chaudhri et al.
 D737,325 S 8/2015 Kim et al.
 D739,414 S 9/2015 Lim et al.
 D740,300 S 10/2015 Lee et al.
 D741,898 S 10/2015 Soegiono et al.
 D742,390 S 11/2015 Bang et al.
 D745,046 S 12/2015 Shin et al.
 D746,295 S 12/2015 Arai et al.
 D746,828 S 1/2016 Arai
 D747,340 S * 1/2016 Seo D14/487
 D749,634 S 2/2016 Cho
 D752,098 S 3/2016 Kim et al.
 D752,624 S 3/2016 Butcher et al.
 D755,823 S 5/2016 Chen et al.
 D756,401 S 5/2016 Soldner et al.
 D759,077 S 6/2016 Bergmann et al.
 D759,079 S 6/2016 Carlton et al.
 D760,768 S 7/2016 Um et al.
 D761,297 S 7/2016 Eder
 D761,812 S 7/2016 Motamedi
 D761,857 S 7/2016 Mariet et al.
 D762,655 S 8/2016 Kai
 D762,659 S 8/2016 Butcher et al.
 D762,673 S 8/2016 Seo et al.
 D763,309 S 8/2016 Seo et al.
 D763,868 S 8/2016 Lee et al.
 D763,869 S 8/2016 Wang et al.
 D763,877 S 8/2016 Yu
 D764,536 S 8/2016 Butcher et al.
 D772,932 S 11/2016 Chen et al.
 D775,150 S * 12/2016 Butcher D14/485
 D775,198 S * 12/2016 Montes D14/489
 D791,149 S * 7/2017 Chaudhri D14/485
 D801,990 S * 11/2017 Reissner D14/485
 D804,523 S * 12/2017 Butcher D14/488
 D812,093 S * 3/2018 Rapp D14/488
 D812,623 S * 3/2018 Asai D14/485
 2002/0113824 A1 8/2002 Myers, Jr.
 2004/0141010 A1 7/2004 Fitzmaurice et al.
 2007/0136679 A1 6/2007 Yang
 2008/0098331 A1 4/2008 Novick et al.
 2008/0126992 A1 5/2008 Scheu et al.
 2009/0113333 A1 4/2009 Dellinger et al.
 2009/0187335 A1 7/2009 Muhlfelder et al.
 2010/0229130 A1 9/2010 Edge et al.
 2010/0231523 A1 9/2010 Chou
 2011/0041095 A1 2/2011 Reed
 2011/0047014 A1 2/2011 De Angelo
 2012/0036459 A1 2/2012 Pei et al.
 2013/0019182 A1 1/2013 Gil et al.
 2013/0174097 A1 7/2013 Wernecke
 2013/0227450 A1 8/2013 Na et al.
 2013/0339904 A1 12/2013 Geithner
 2014/0317542 A1 10/2014 Kim et al.
 2015/0193196 A1 7/2015 Lin et al.
 2016/0062630 A1 3/2016 Anzures et al.

(56)

References Cited

OTHER PUBLICATIONS

Trademark Serial No. 86239011, Apple Inc., filing date Apr. 1, 2014.

Trademark Serial No. 86238890, Apple Inc., filing date Apr. 1, 2014, priority date Oct. 8, 2013.

Trademark Serial No. 86533674, Apple Inc., filing date Feb. 12, 2015, priority date Sep. 8, 2014.

Trademark Serial No. 86738558, Apple Inc., filing date Aug. 26, 2015, priority date Mar. 4, 2015.

Dashboard Widgets, Webcams, Wembley Webcam 1.0, dated Jan. 10, 2006, located at <http://www.apple.com/downloads/dashboard/webcams/index2.html>, 2 pages.

* cited by examiner

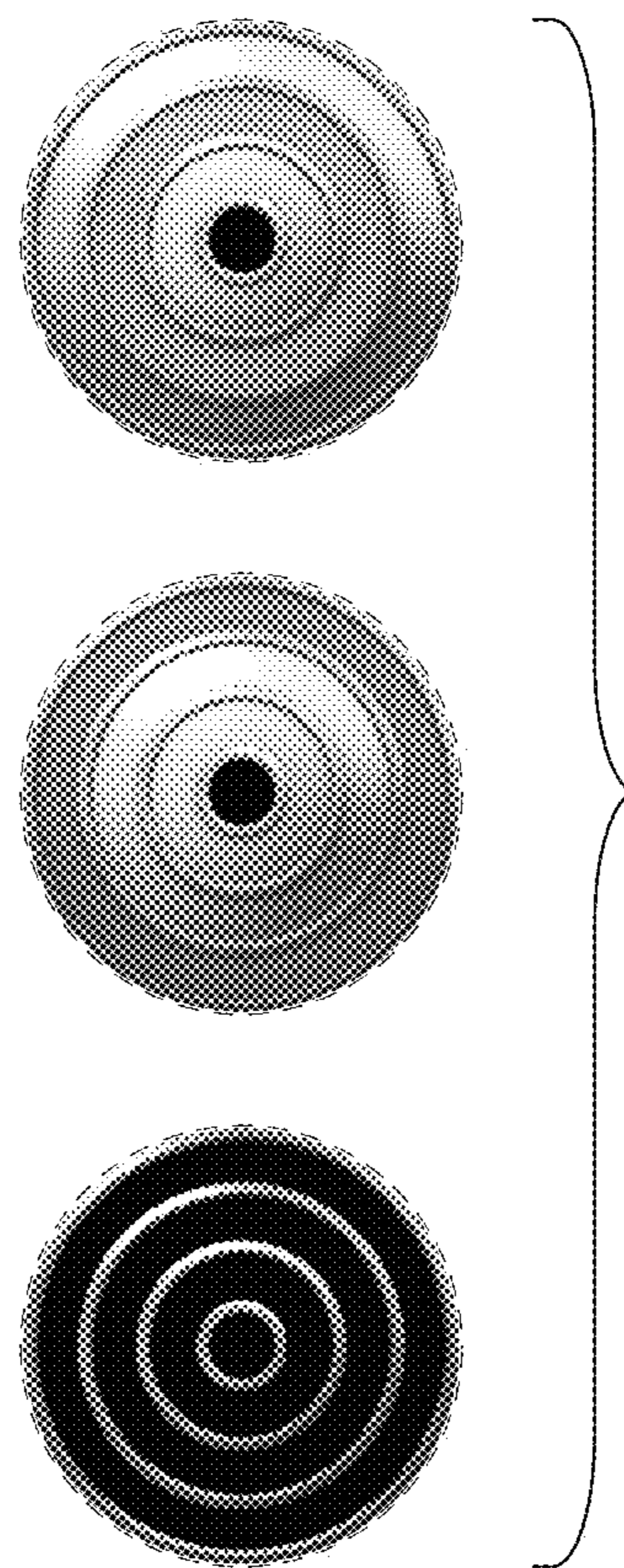


FIG. 1

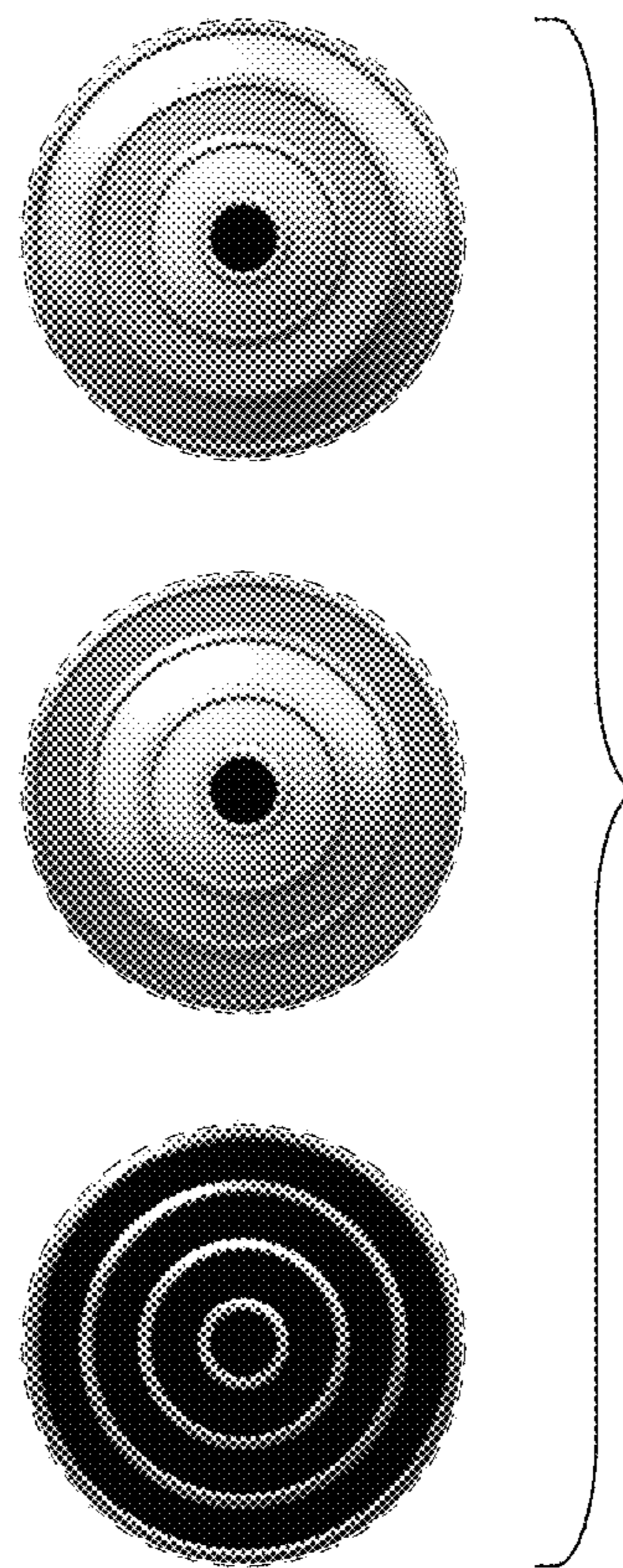


FIG. 2