



US00D841656S

(12) **United States Design Patent**
Yanai et al.

(10) **Patent No.:** **US D841,656 S**
(45) **Date of Patent:** **** Feb. 26, 2019**

(54) **HOLDER FOR A PORTABLE COMPUTER**

(71) Applicant: **Panasonic Intellectual Property Management Co., Ltd., Osaka (JP)**

(72) Inventors: **Masato Yanai, Osaka (JP); Kenichi Shindo, Osaka (JP); Ryo Yonezawa, Kyoto (JP)**

(73) Assignee: **Panasonic Intellectual Property Management Co., Ltd., Osaka (JP)**

(**) Term: **15 Years**

(21) Appl. No.: **29/636,112**

(22) Filed: **Feb. 6, 2018**

(51) **LOC (11) Cl.** **08-07**

(52) **U.S. Cl.**
USPC **D14/447**

(58) **Field of Classification Search**
USPC D14/447, 432, 434, 439, 440, 451, 452, D14/457, 239, 251, 253; D8/363, 373, D8/380; D6/406.3, 406.4, 406.5, 406.6; D12/415
CPC A47B 21/04; A47B 2097/006; A47B 2097/005; A47B 2023/049; A45C 2011/002; A45C 2011/003; F16M 2200/00; F16M 13/00
See application file for complete search history.

(56) **References Cited**

U.S. PATENT DOCUMENTS

D629,404 S	*	12/2010	Wu	D14/434
D633,040 S	*	2/2011	Le	D13/108
D675,212 S	*	1/2013	Chen	D14/447
D680,122 S	*	4/2013	Yang	D14/447
D684,144 S	*	6/2013	Palance	D14/217
D688,253 S	*	8/2013	Cho	D14/447
D688,670 S	*	8/2013	Huang	D14/447
D692,440 S	*	10/2013	Tsai	D14/447
D694,219 S	*	11/2013	Parraga Gimeno	D14/217

D696,261 S	*	12/2013	Weldon	D14/447
D704,197 S	*	5/2014	Aber	D14/447
D712,905 S	*	9/2014	Miyazaki	D14/447
D714,281 S	*	9/2014	Reznik	D14/251
D742,386 S	*	11/2015	Rost	D14/447

(Continued)

FOREIGN PATENT DOCUMENTS

JP	D1339188	9/2008
JP	D1586872	10/2017

Primary Examiner — Angela J Lee

(74) *Attorney, Agent, or Firm* — Panasonic IP Management; Kerry S. Culpepper

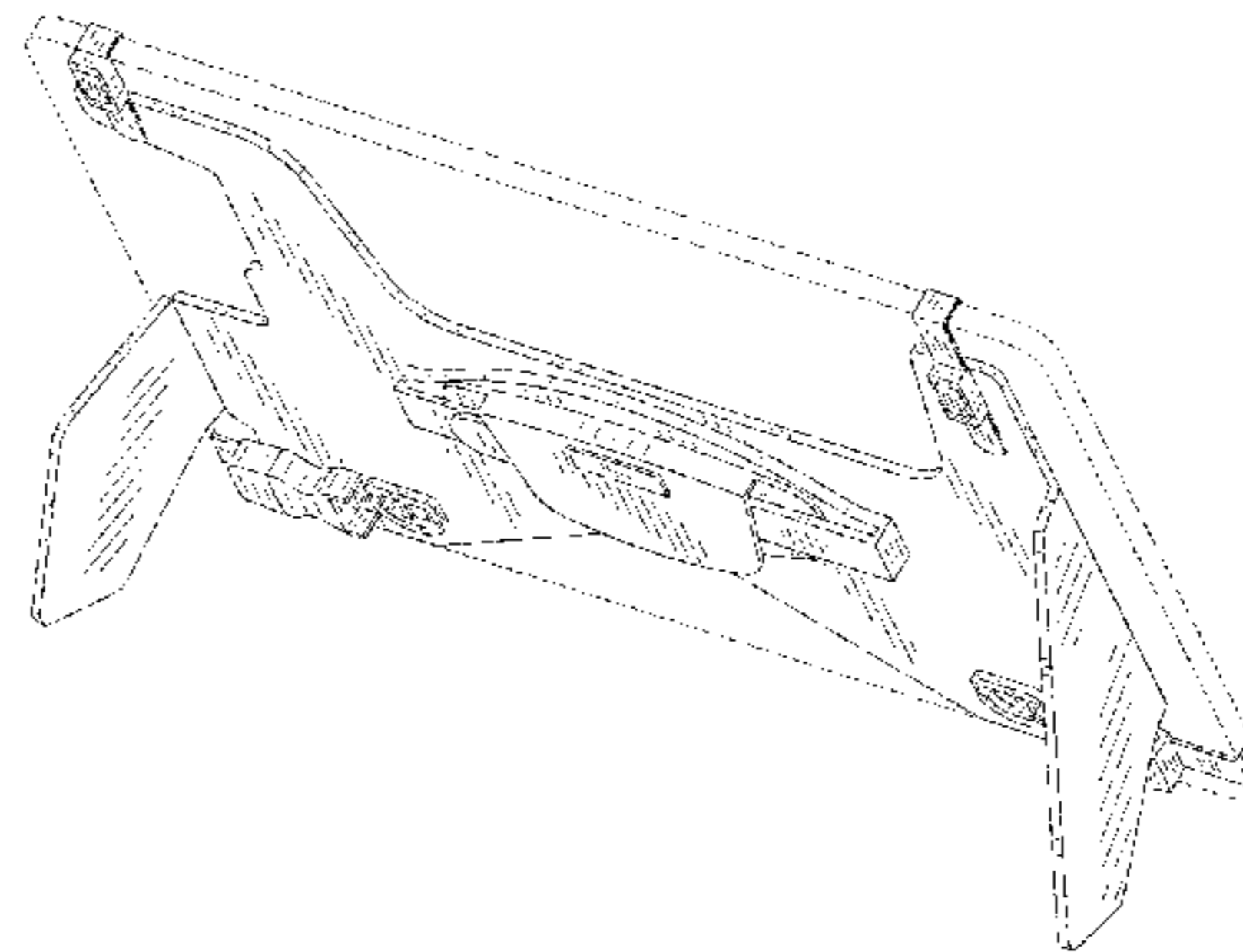
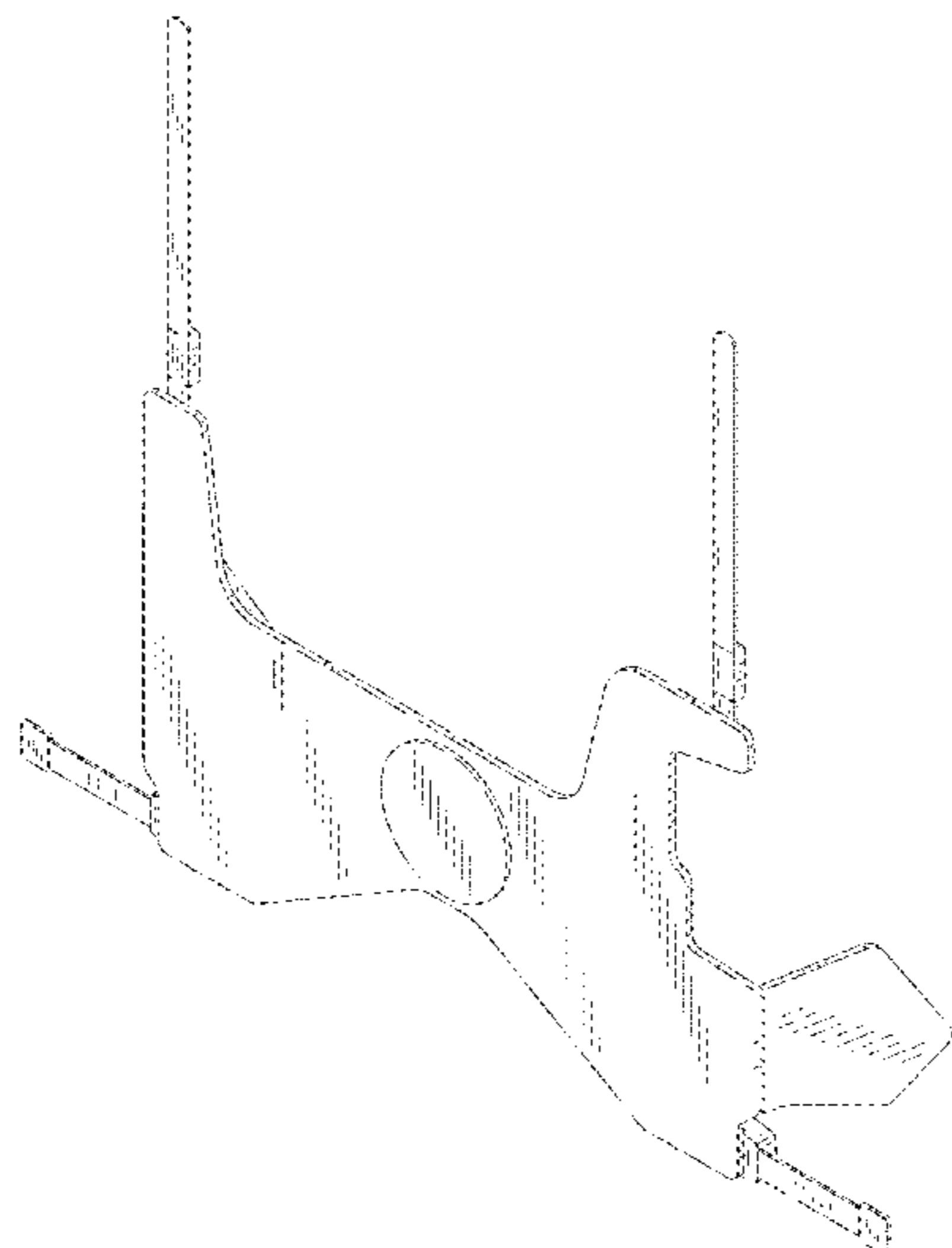
(57) **CLAIM**

We claim the ornamental design for a holder for a portable computer, as shown and described.

DESCRIPTION

FIG. 1 is a front perspective view of a holder for a portable computer of the present invention;
 FIG. 2 is a rear perspective view thereof;
 FIG. 3 is a front view thereof;
 FIG. 4 is a rear view thereof;
 FIG. 5 is a first side view thereof;
 FIG. 6 is a second side view thereof;
 FIG. 7 is a top view thereof;
 FIG. 8 is a bottom view thereof;
 FIG. 9 is an end view taken along the line 9-9 in FIG. 3;
 FIG. 10 is a rear perspective view thereof with the support pillars folded;
 FIG. 11 is a rear perspective view of the holder thereof attached to a portable computer; and,
 FIG. 12 is a rear perspective view thereof shown in an alternate environment.
 The broken line showing of holder for a portable computer is included for the purpose of illustrating environment and forms no part of the claimed design.

1 Claim, 12 Drawing Sheets



(56)

References Cited

U.S. PATENT DOCUMENTS

D748,935 S *	2/2016	Jiang	D14/235
D750,088 S *	2/2016	Reznik	D14/447
D764,478 S *	8/2016	Radmard	H04M 1/185 D14/250
D778,916 S *	2/2017	Li	D14/447
D784,999 S *	4/2017	Cutler	D14/447
D795,265 S *	8/2017	Li	D14/447
D800,733 S *	10/2017	Burns	D14/447

* cited by examiner

FIG. 1

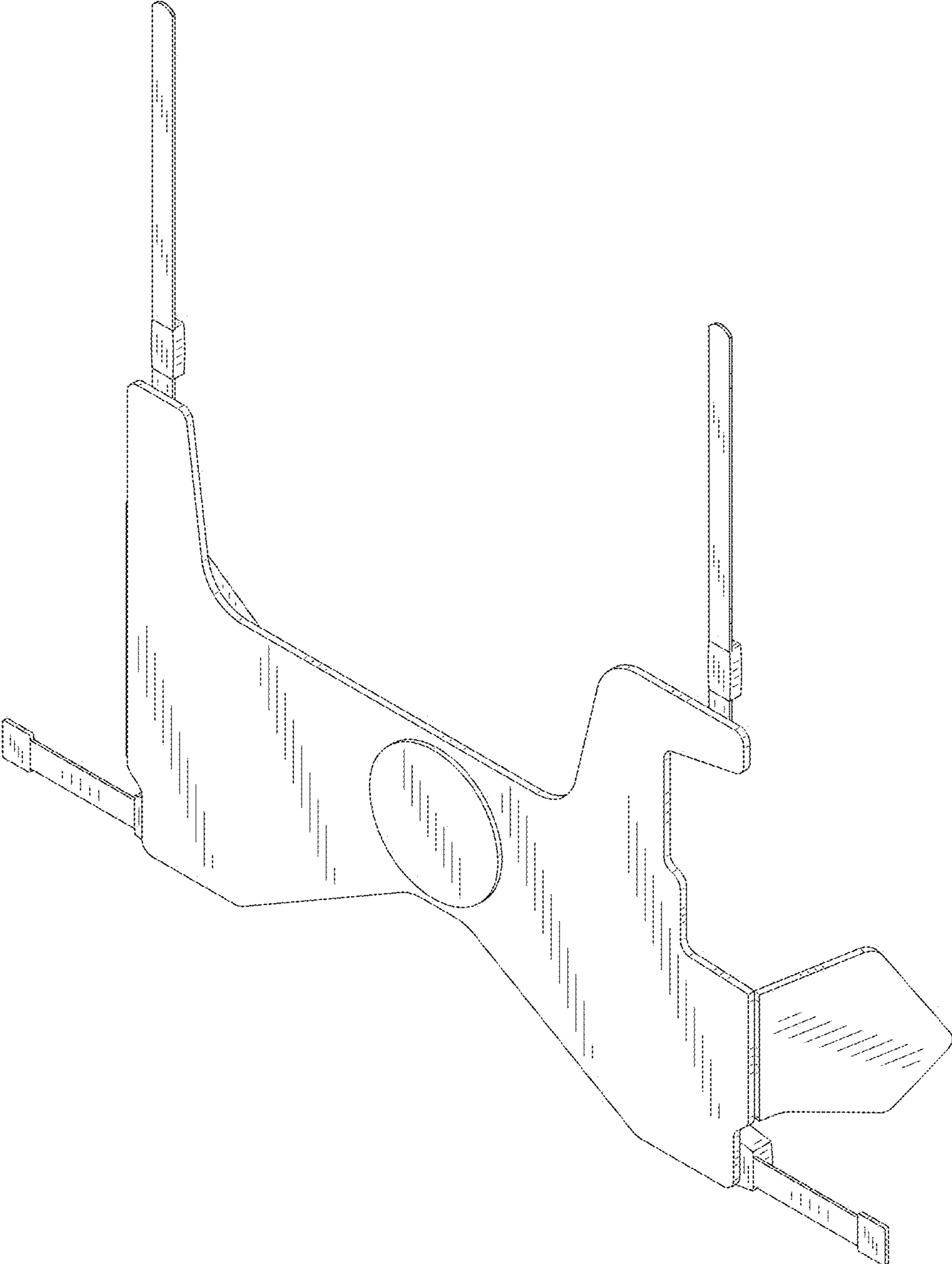


FIG. 2

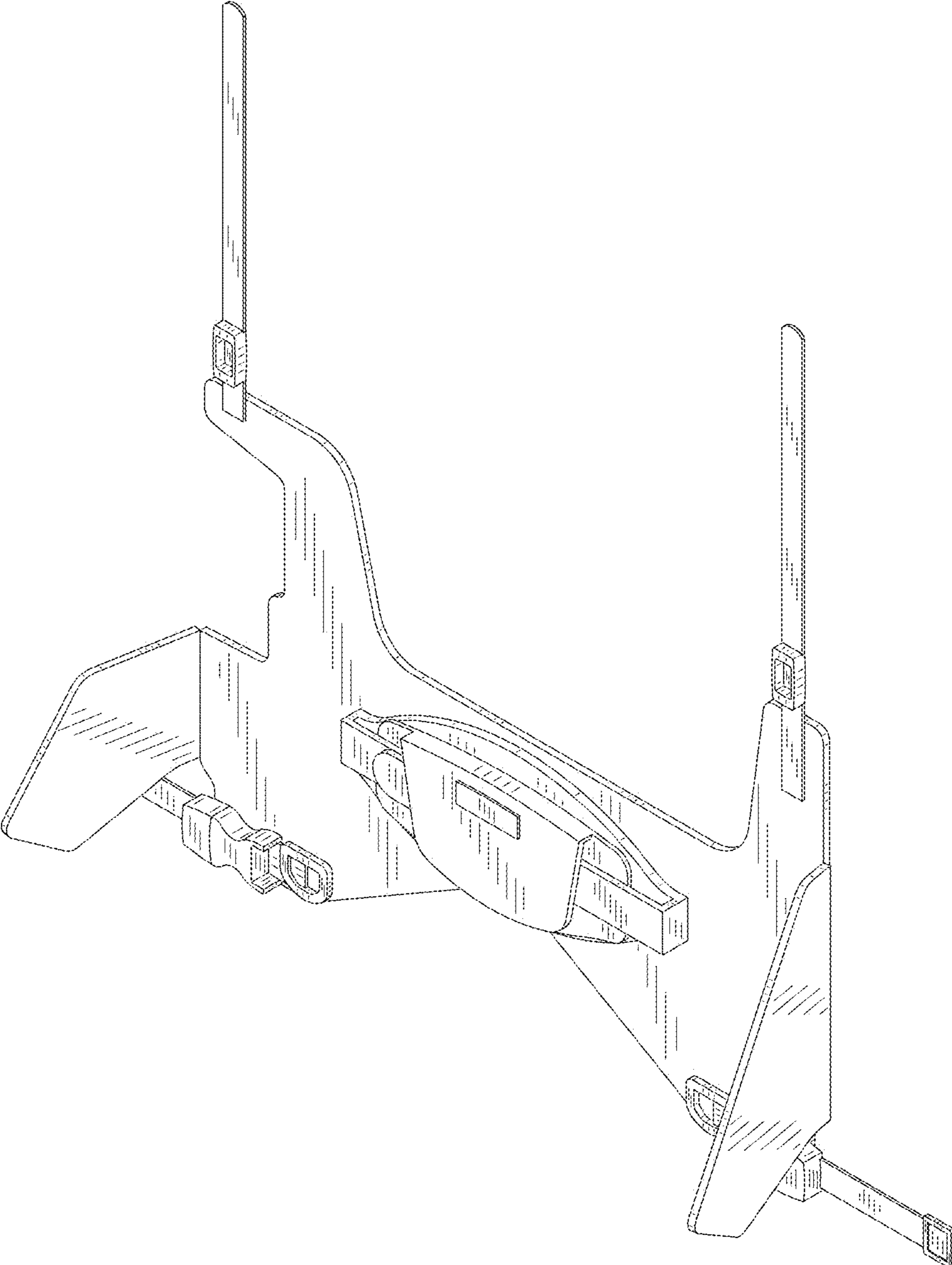


FIG. 3

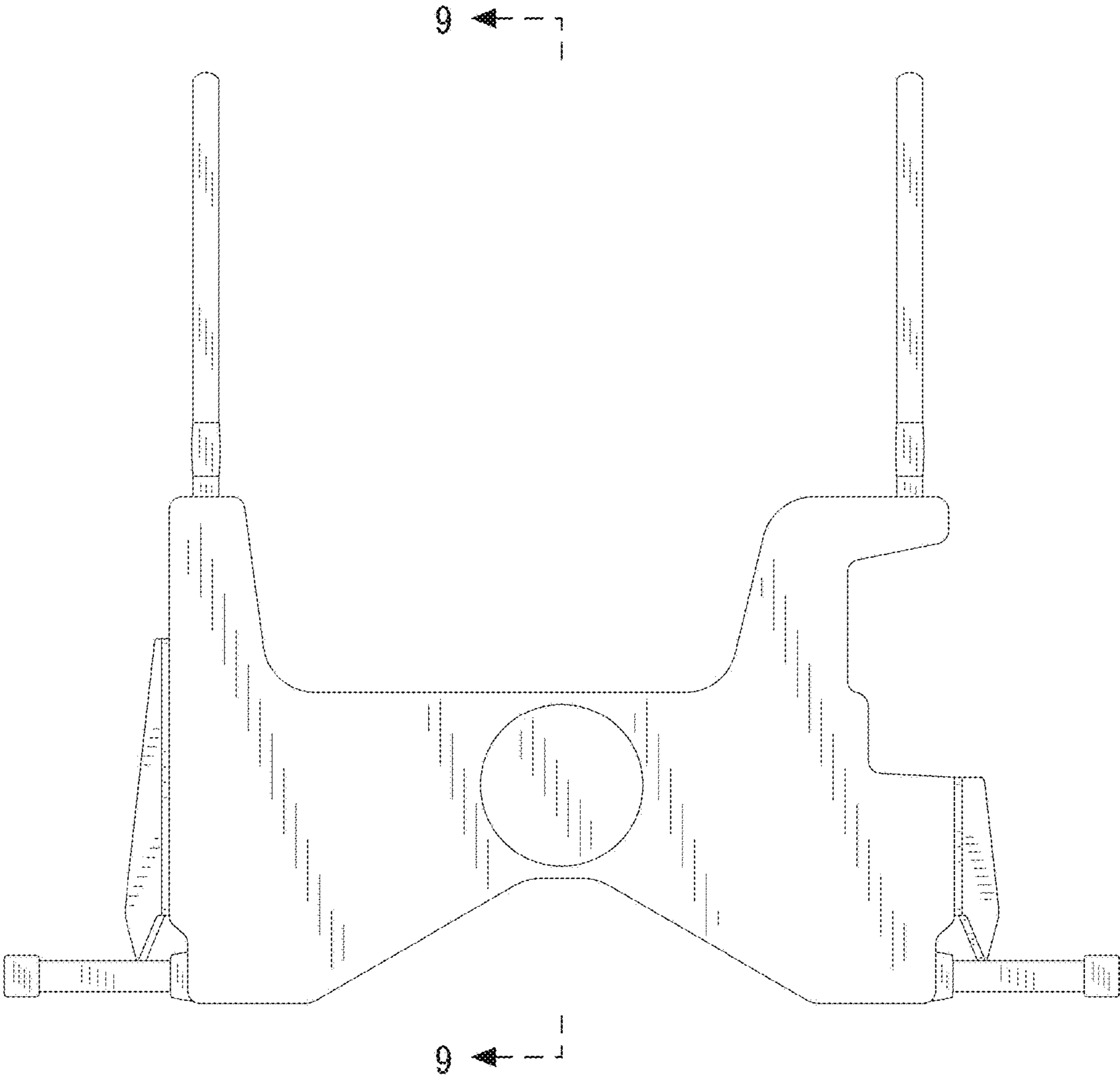


FIG. 4

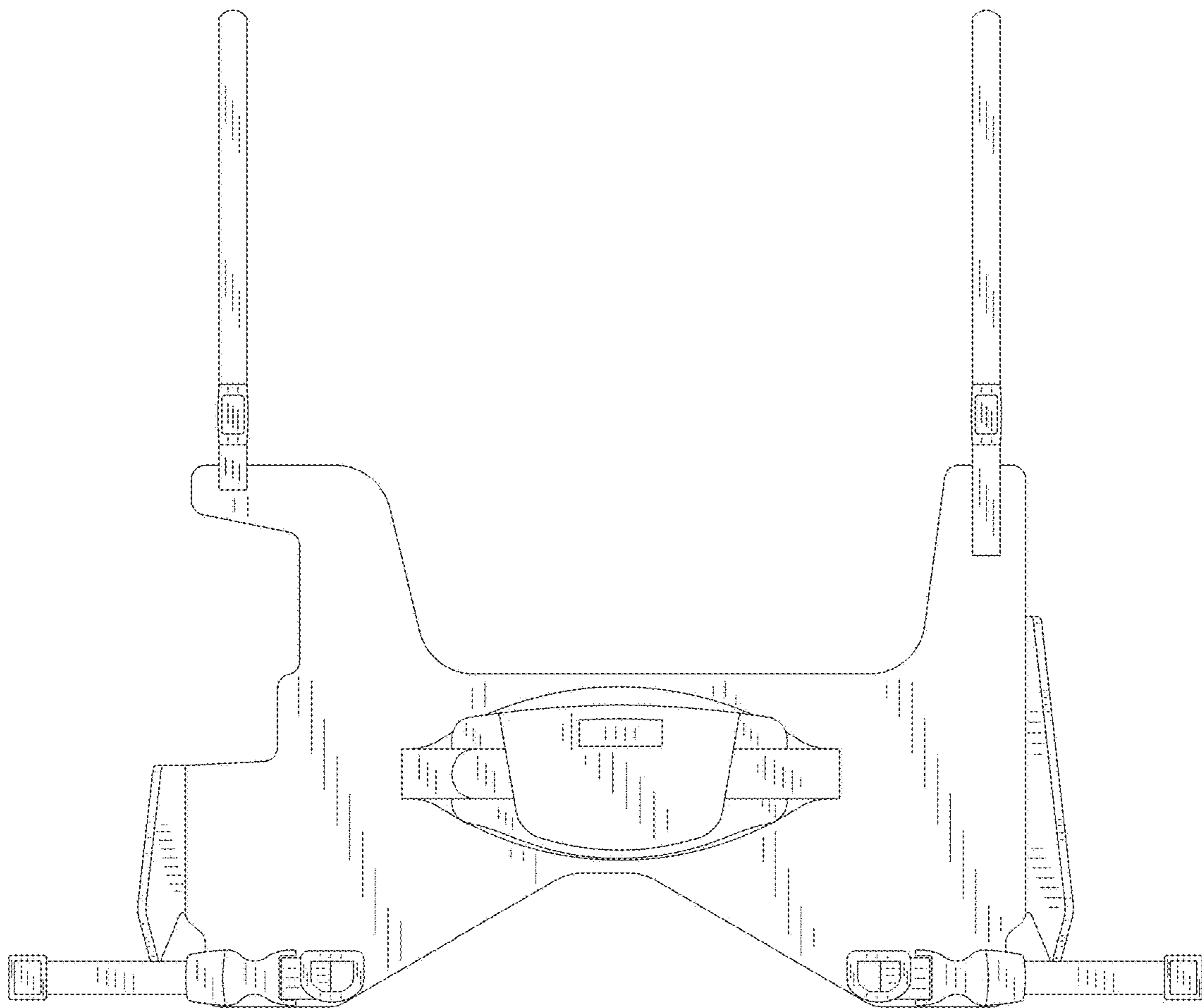


FIG. 5

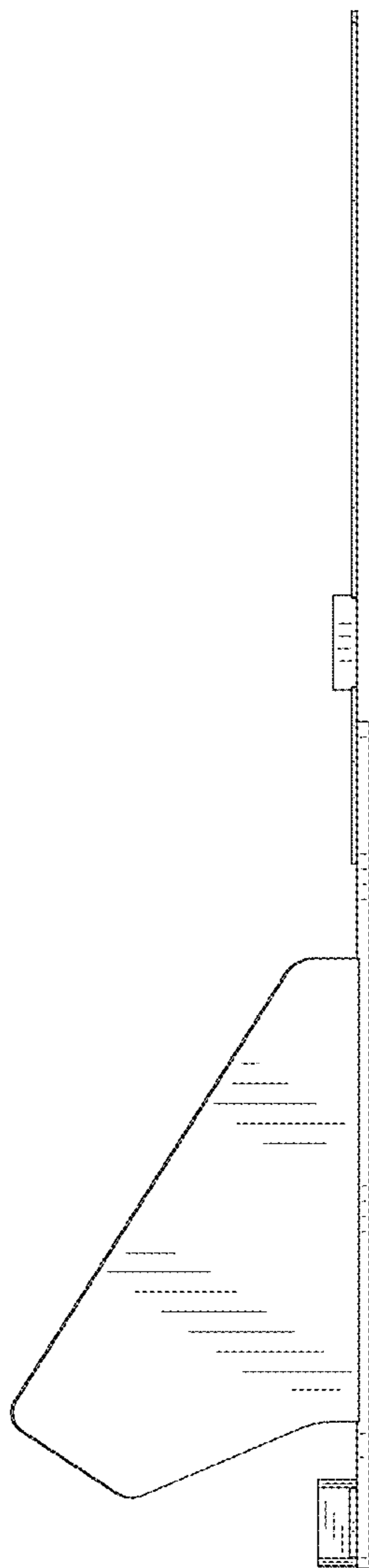


FIG. 6

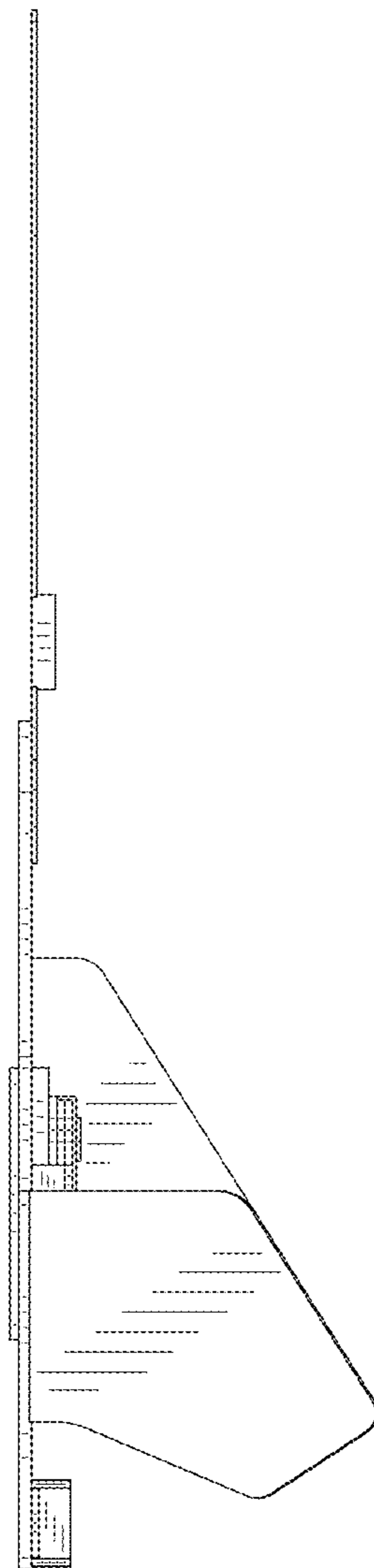


FIG. 7

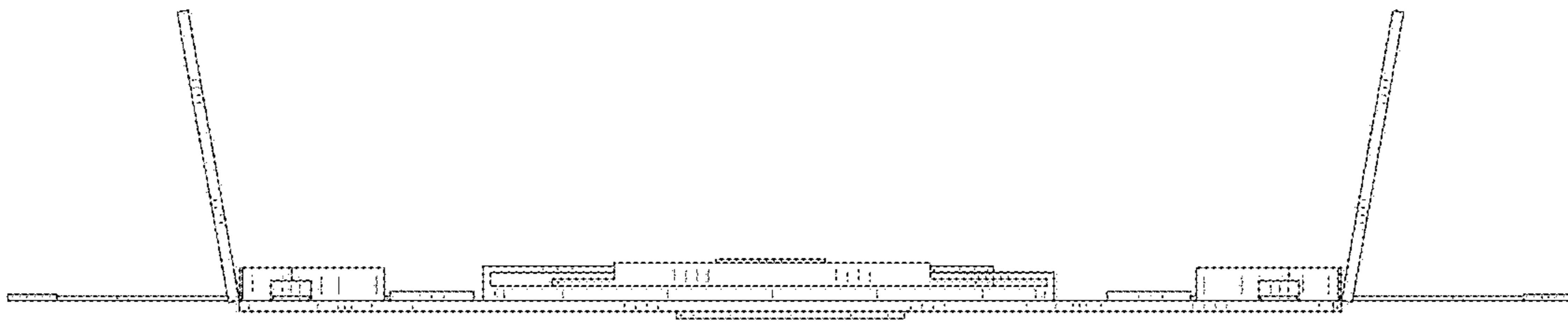


FIG. 8

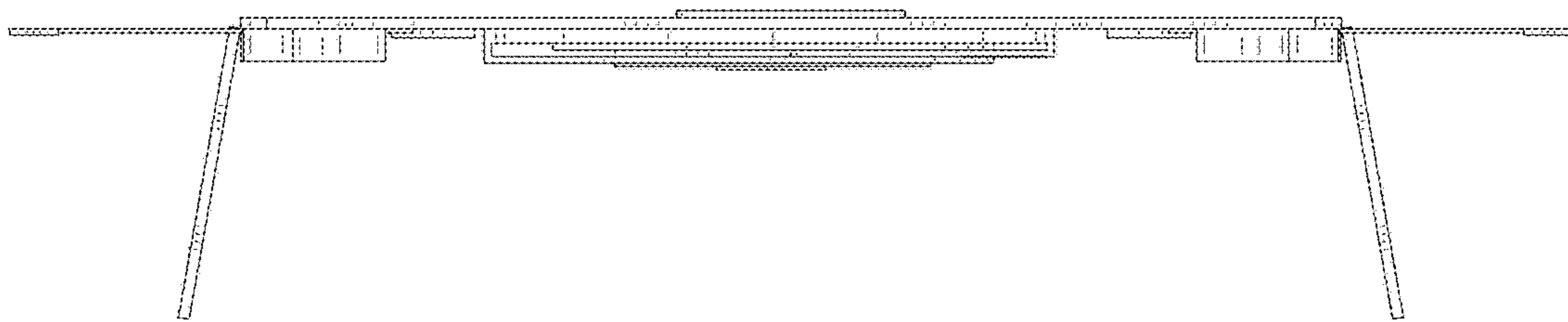


FIG. 9

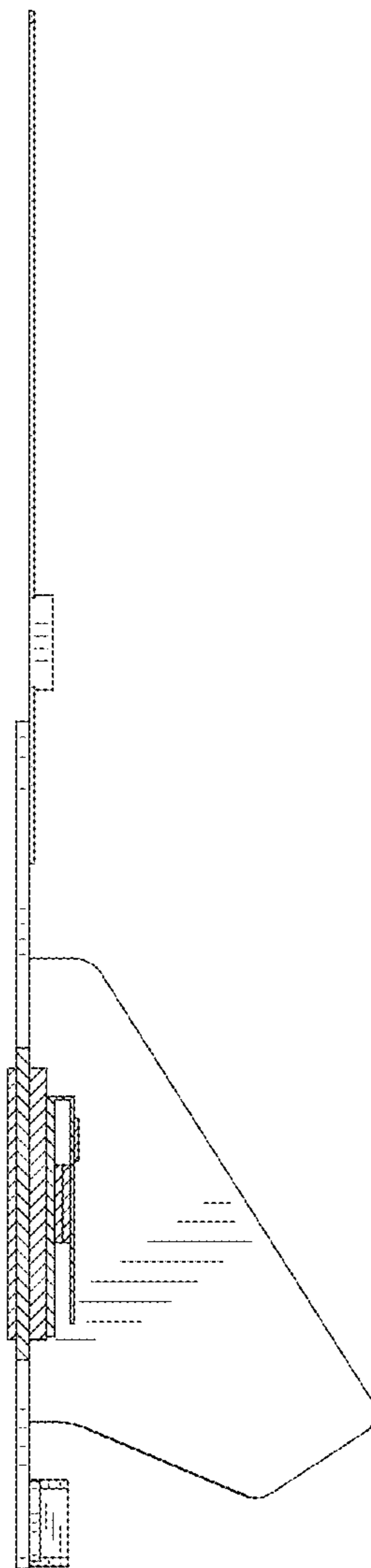


FIG. 10

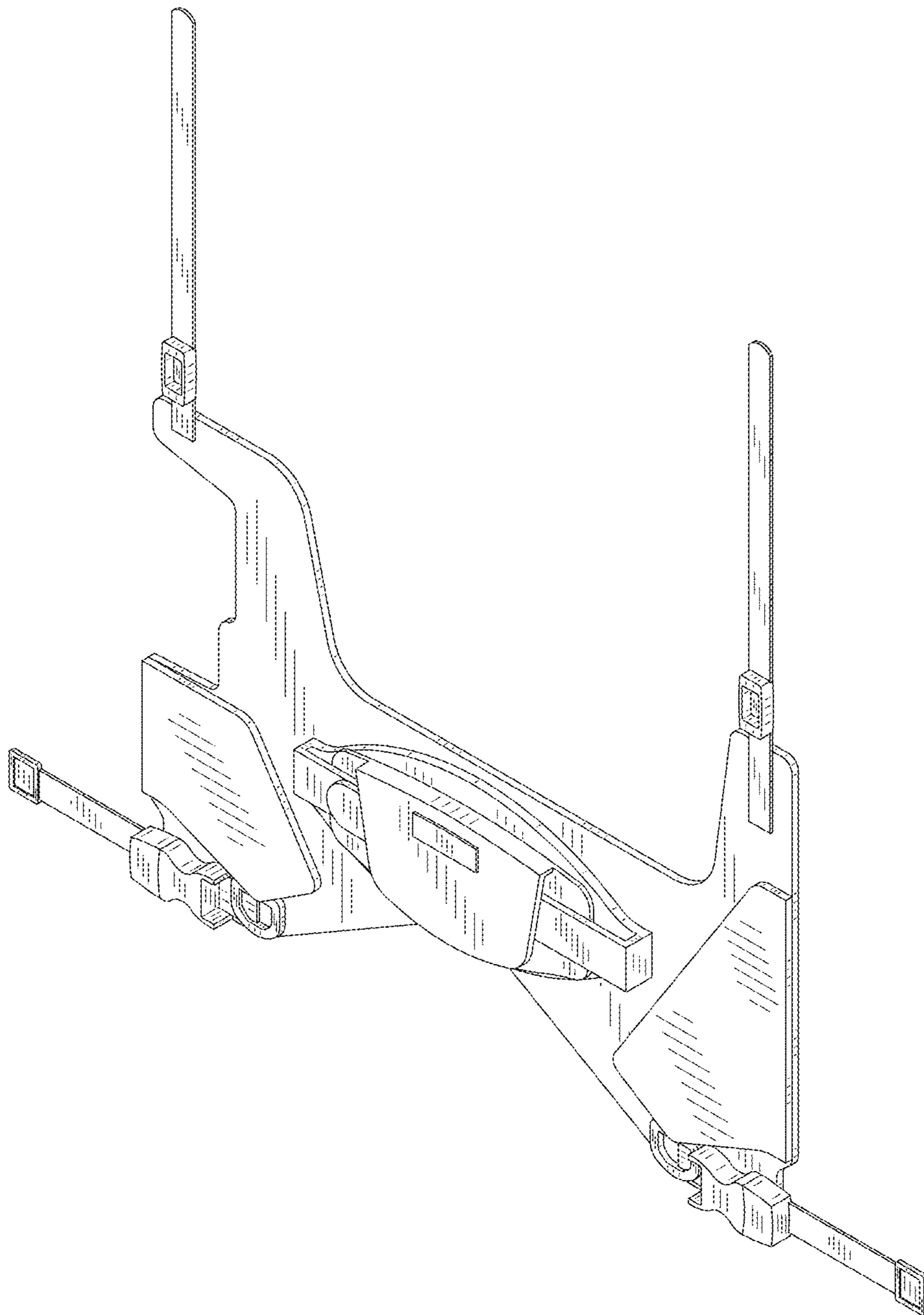


FIG. 11

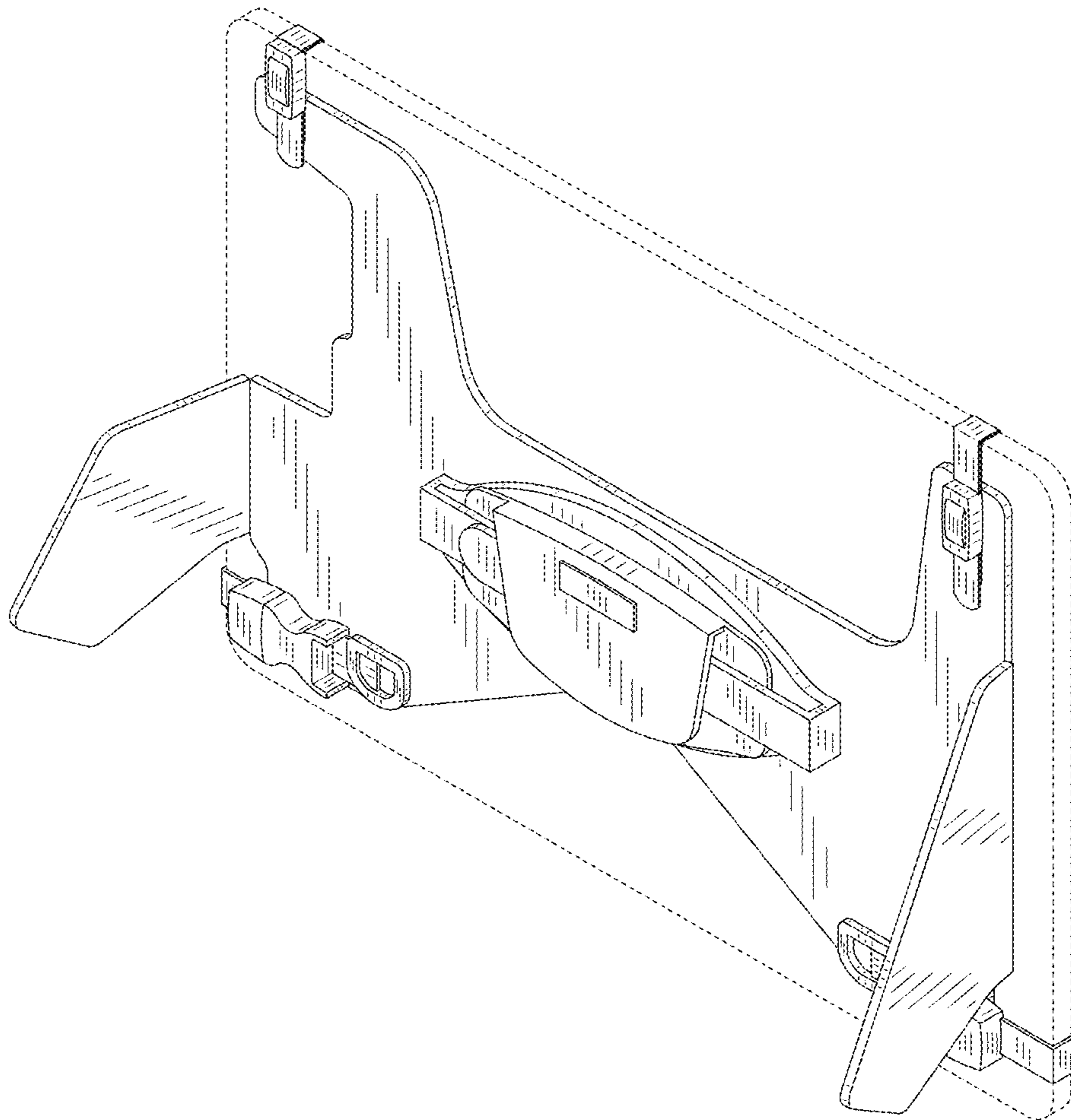


FIG. 12

