



US00D841654S

(12) **United States Design Patent**  
**Lin**

(10) **Patent No.:** **US D841,654 S**

(45) **Date of Patent:** **\*\* Feb. 26, 2019**

(54) **UNIVERSAL TRAVEL ADAPTER WITH USB PORTS**

(71) Applicant: **Liangguan Lin**, Guangdong (CN)

(72) Inventor: **Liangguan Lin**, Guangdong (CN)

(\*\*) Term: **15 Years**

(21) Appl. No.: **29/595,613**

(22) Filed: **Mar. 1, 2017**

(30) **Foreign Application Priority Data**

Nov. 29, 2016 (CN) ..... 2016 3 0581095

(51) **LOC (11) Cl.** ..... **14-02**

(52) **U.S. Cl.**  
USPC ..... **D14/433**

(58) **Field of Classification Search**  
USPC .... D14/356, 432-434, 453, 454, 511, 203.8,  
D14/209.1, 238.1, 240, 125; 439/638,  
(Continued)

(56) **References Cited**

**U.S. PATENT DOCUMENTS**

D449,030 S \* 10/2001 Baxter ..... D13/110  
D481,997 S \* 11/2003 Kihira ..... D13/133  
(Continued)

*Primary Examiner* — Austin Murphy

(57) **CLAIM**

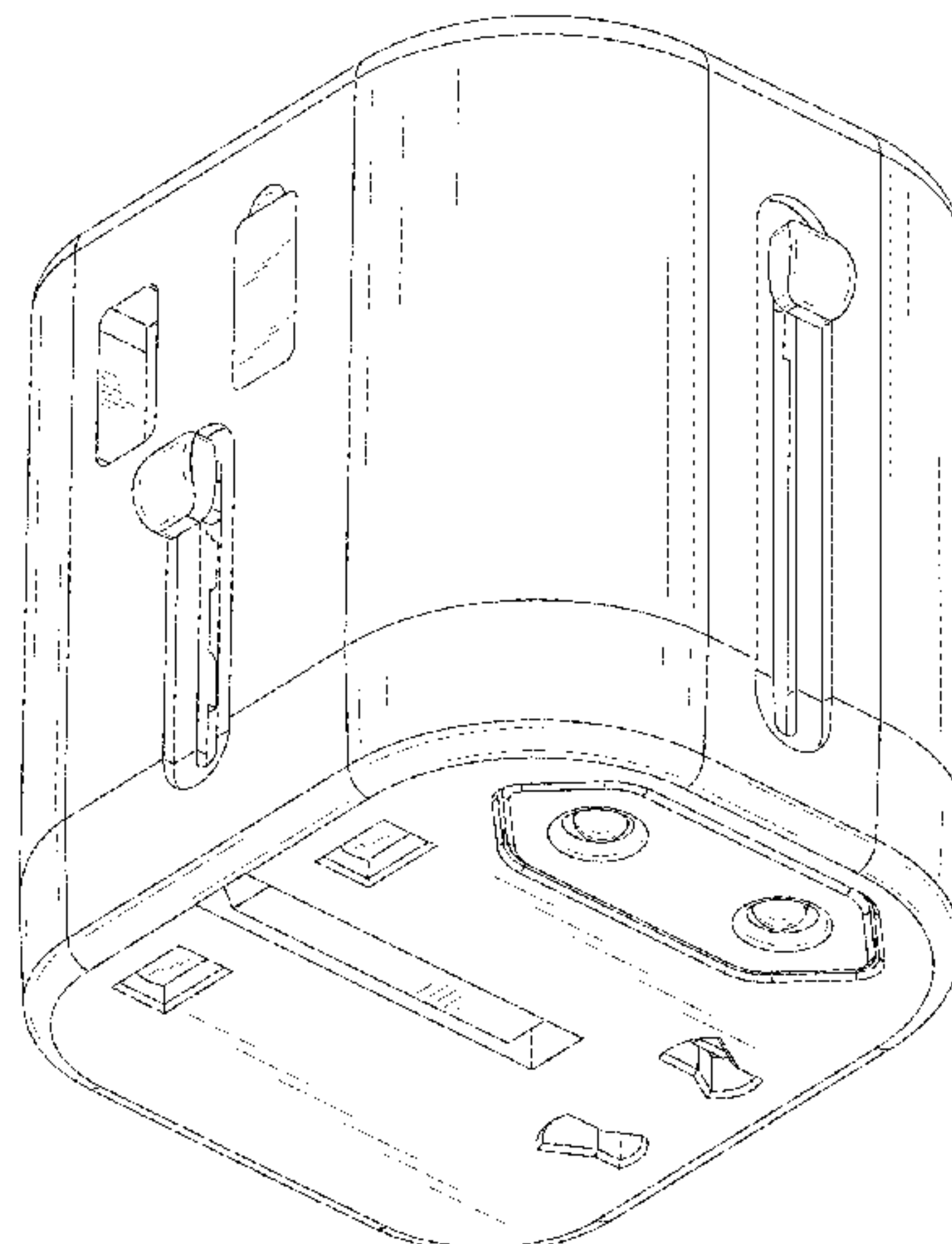
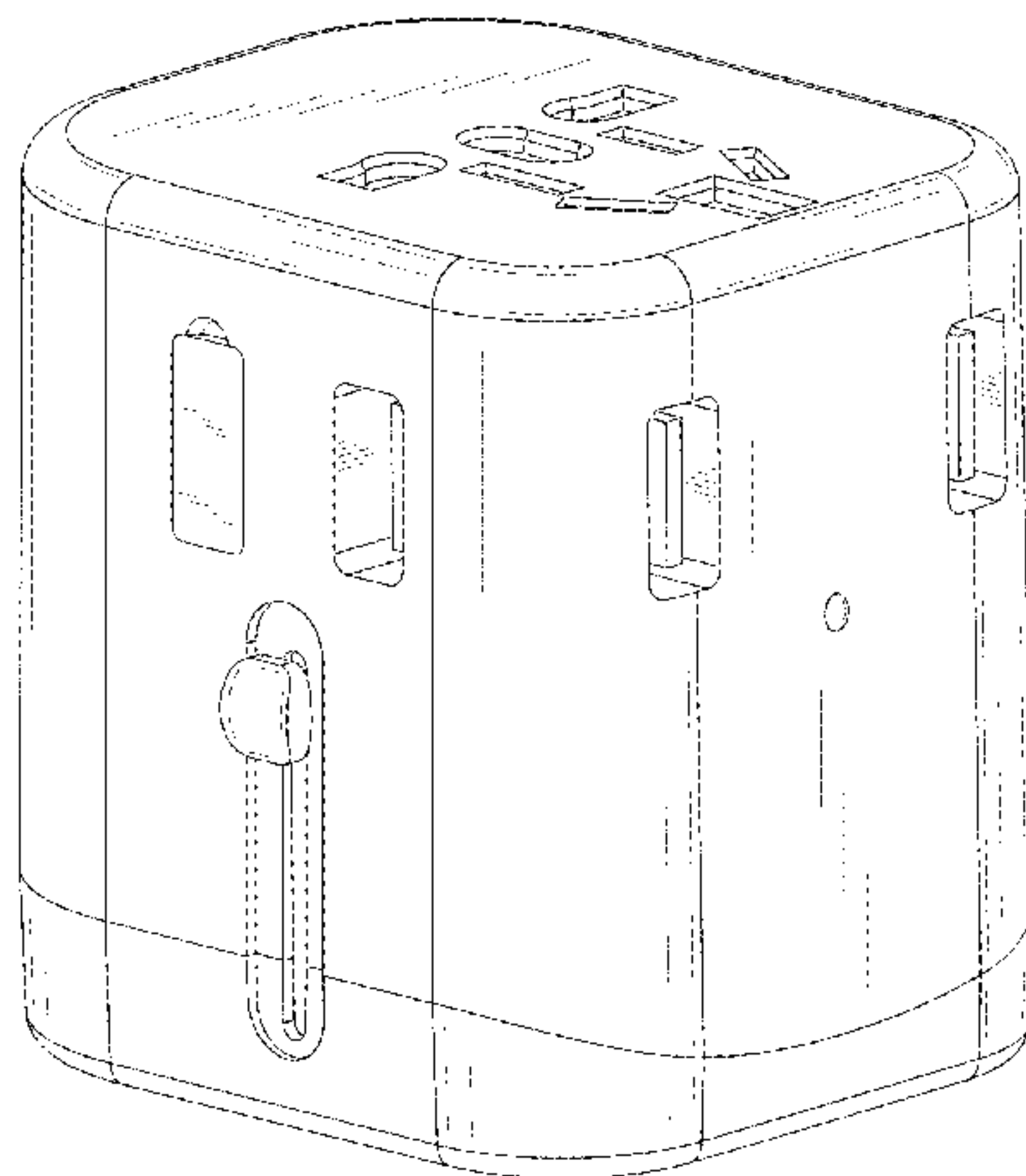
The ornamental design for a universal travel adapter with USB ports, as shown and described.

**DESCRIPTION**

FIG. 1 is a front elevational view of a universal travel adapter with USB ports showing my new design;  
FIG. 2 is a rear elevational view of FIG. 1;  
FIG. 3 is a left side view of FIG. 1;

FIG. 4 is a right side view of FIG. 1;  
FIG. 5 is a top plan view of FIG. 1;  
FIG. 6 is a bottom plan view of FIG. 1;  
FIG. 7 is a first perspective view of FIG. 1;  
FIG. 8 is a second perspective view of FIG. 1;  
FIG. 9 is a front elevational view of the universal travel adapter with USB ports shown in FIG. 1, with the universal travel adapter being in a first state of use;  
FIG. 10 is a rear elevational view of FIG. 9;  
FIG. 11 is a left side view of FIG. 9;  
FIG. 12 is a right side view of FIG. 9;  
FIG. 13 is a top plan view of FIG. 9;  
FIG. 14 is a bottom plan view of FIG. 9;  
FIG. 15 is a perspective view of FIG. 9;  
FIG. 16 is a front elevational view of the universal travel adapter with USB ports shown in FIG. 1, with the universal travel adapter being in a second state of use;  
FIG. 17 is a rear elevational view of FIG. 16;  
FIG. 18 is a left side view of FIG. 16;  
FIG. 19 is a right side view of FIG. 16;  
FIG. 20 is a top plan view of FIG. 16;  
FIG. 21 is a bottom plan view of FIG. 16;  
FIG. 22 is a perspective view of FIG. 16;  
FIG. 23 is a front elevational view of the universal travel adapter with USB ports shown in FIG. 1, with the universal travel adapter being in a third state of use;  
FIG. 24 is a rear elevational view of FIG. 23;  
FIG. 25 is a left side view of FIG. 23;  
FIG. 26 is a right side view of FIG. 23;  
FIG. 27 is a top plan view of FIG. 23;  
FIG. 28 is a bottom plan view of FIG. 23;  
FIG. 29 is a perspective view of FIG. 23;  
FIG. 30 is a front elevational view of the universal travel adapter with USB ports shown in FIG. 1, with the universal travel adapter being in a fourth state of use;  
FIG. 31 is a rear elevational view of FIG. 30;  
FIG. 32 is a left side view of FIG. 30;  
FIG. 33 is a right side view of FIG. 30;  
FIG. 34 is a top plan view of FIG. 30;  
FIG. 35 is a bottom plan view of FIG. 30; and,  
FIG. 36 is a perspective view of FIG. 30.

**1 Claim, 36 Drawing Sheets**



(58) **Field of Classification Search**

USPC ..... 439/928, 105, 502; 710/303, 304;  
361/679.41, 679.55, 679.56; D13/110,  
D13/133, 146

CPC ... H04L 12/2832; H04L 12/2838; G06F 3/00;  
G06F 5/00; G06F 13/14

See application file for complete search history.

(56) **References Cited**

U.S. PATENT DOCUMENTS

D624,548 S \* 9/2010 Yamamoto ..... D14/433  
D627,784 S \* 11/2010 Yamamoto ..... D14/433  
D643,841 S \* 8/2011 Lyford ..... D13/133  
D753,661 S \* 4/2016 Daniel ..... D14/433  
D755,185 S \* 5/2016 Khanampornpan ..... D14/433  
D778,913 S \* 2/2017 Huang ..... D13/110  
D778,914 S \* 2/2017 Huang ..... D13/110  
D782,990 S \* 4/2017 Sonneman ..... D13/184  
D788,111 S \* 5/2017 Ji ..... D14/433  
D789,372 S \* 6/2017 Trishaun ..... D14/433  
9,882,313 B2 \* 1/2018 Steinbuchel, IV ..... H01R 31/06  
D818,469 S \* 5/2018 Bragg ..... D14/433  
D832,848 S \* 11/2018 Chan ..... D14/433  
2003/0181082 A1 \* 9/2003 Wu ..... H01R 31/065  
439/131  
2014/0051292 A1 \* 2/2014 Weaver, Jr. .... H01R 13/6675  
439/620.21

\* cited by examiner

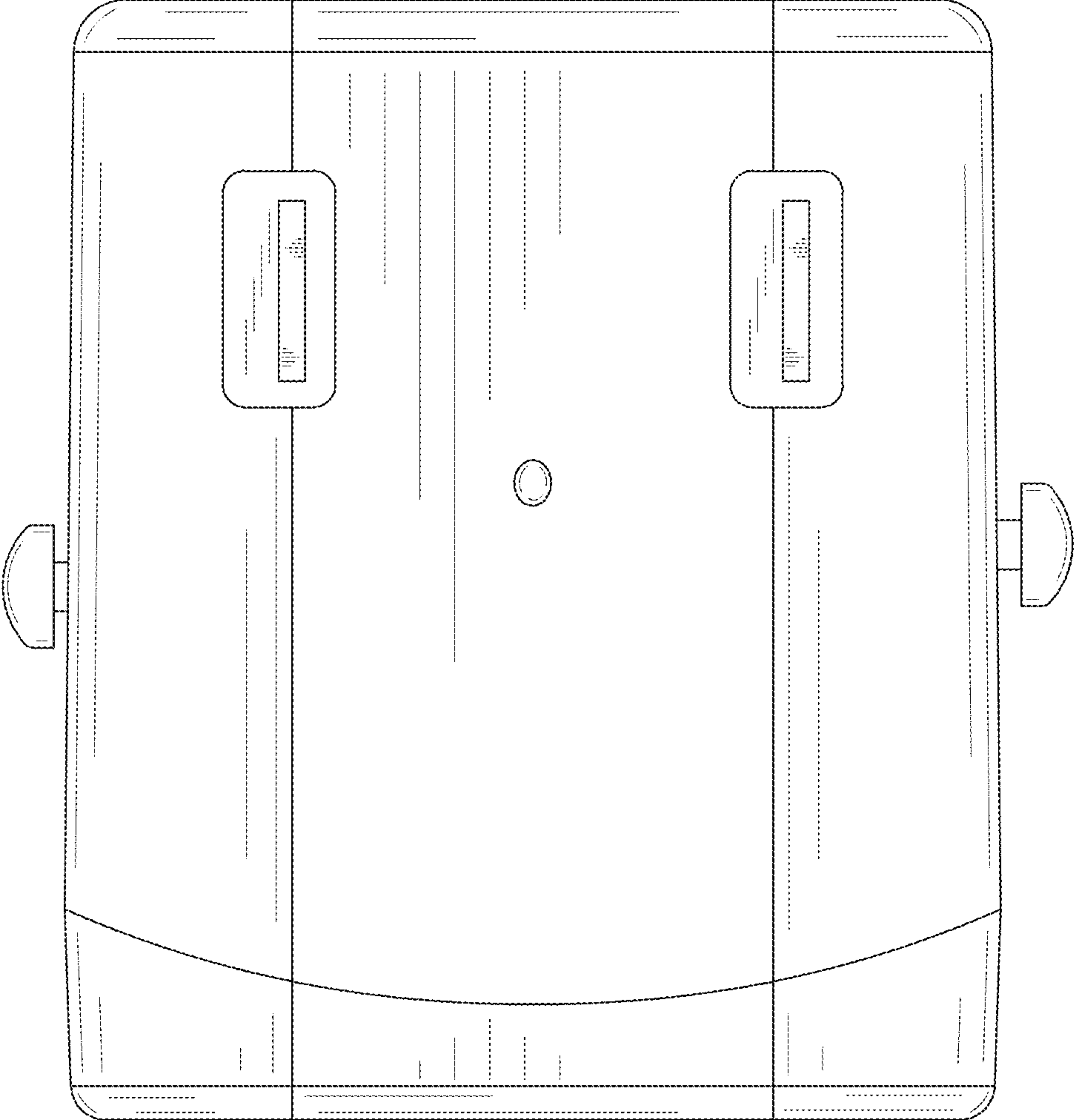


FIG.1

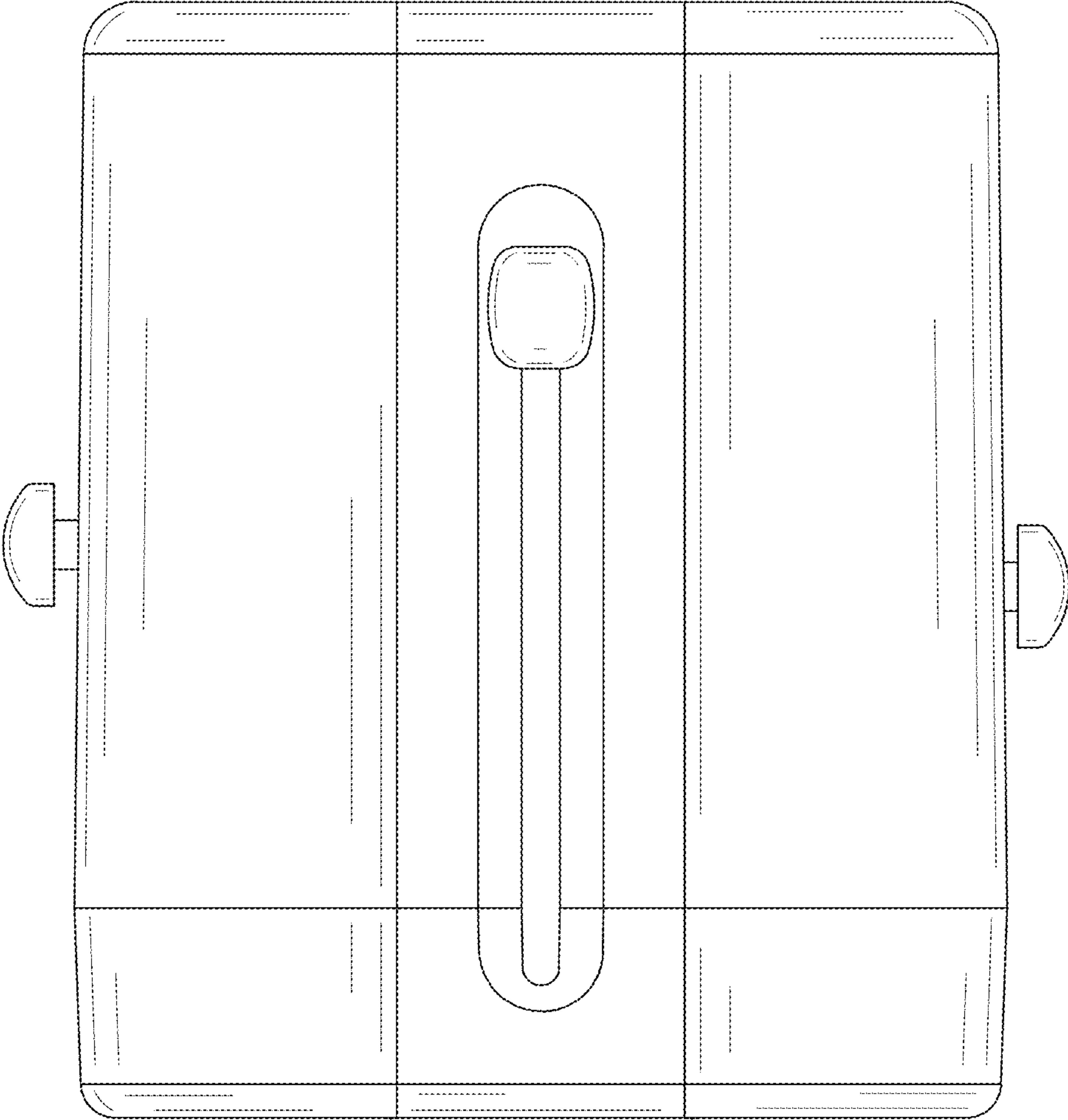


FIG.2

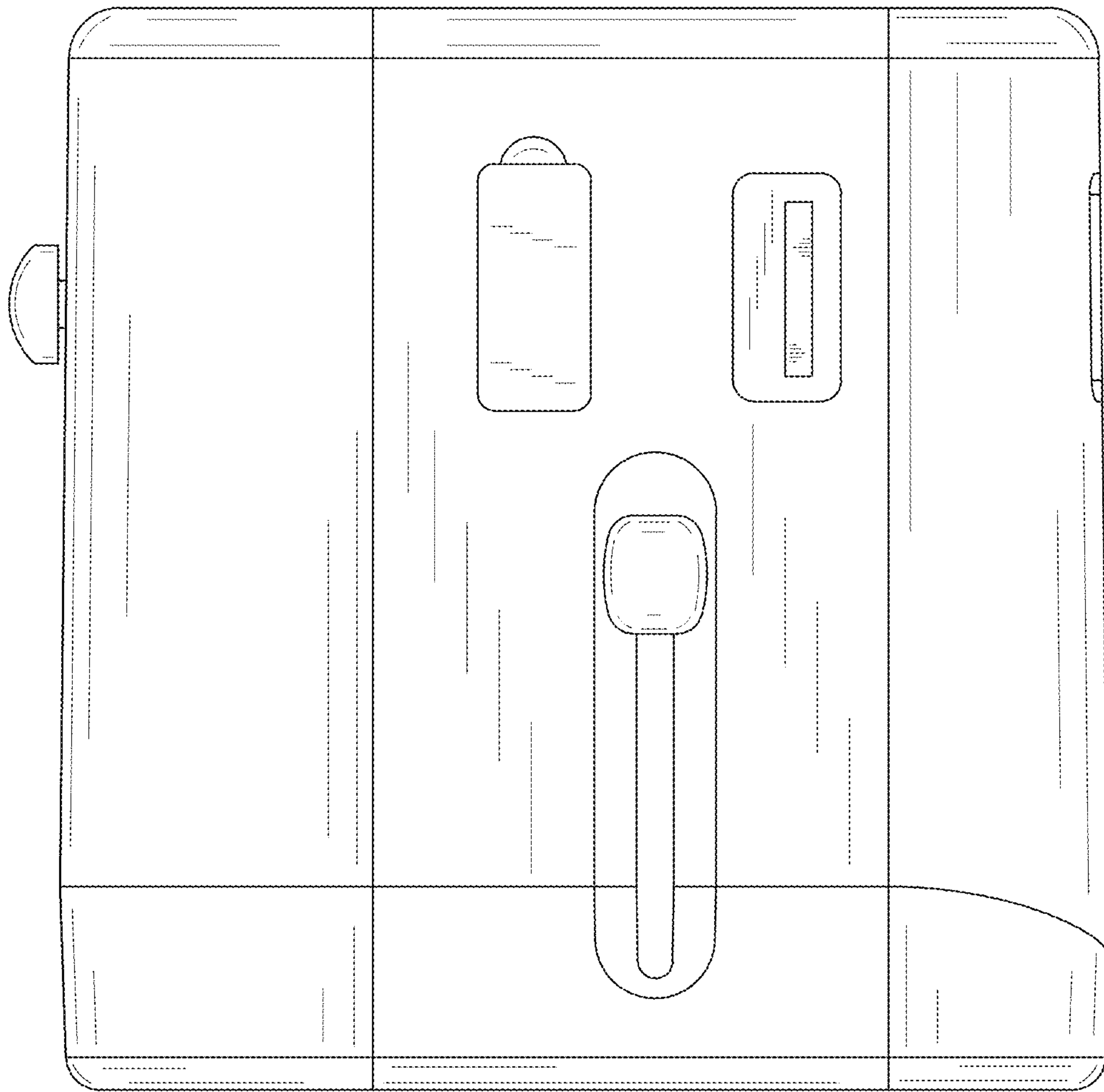


FIG.3



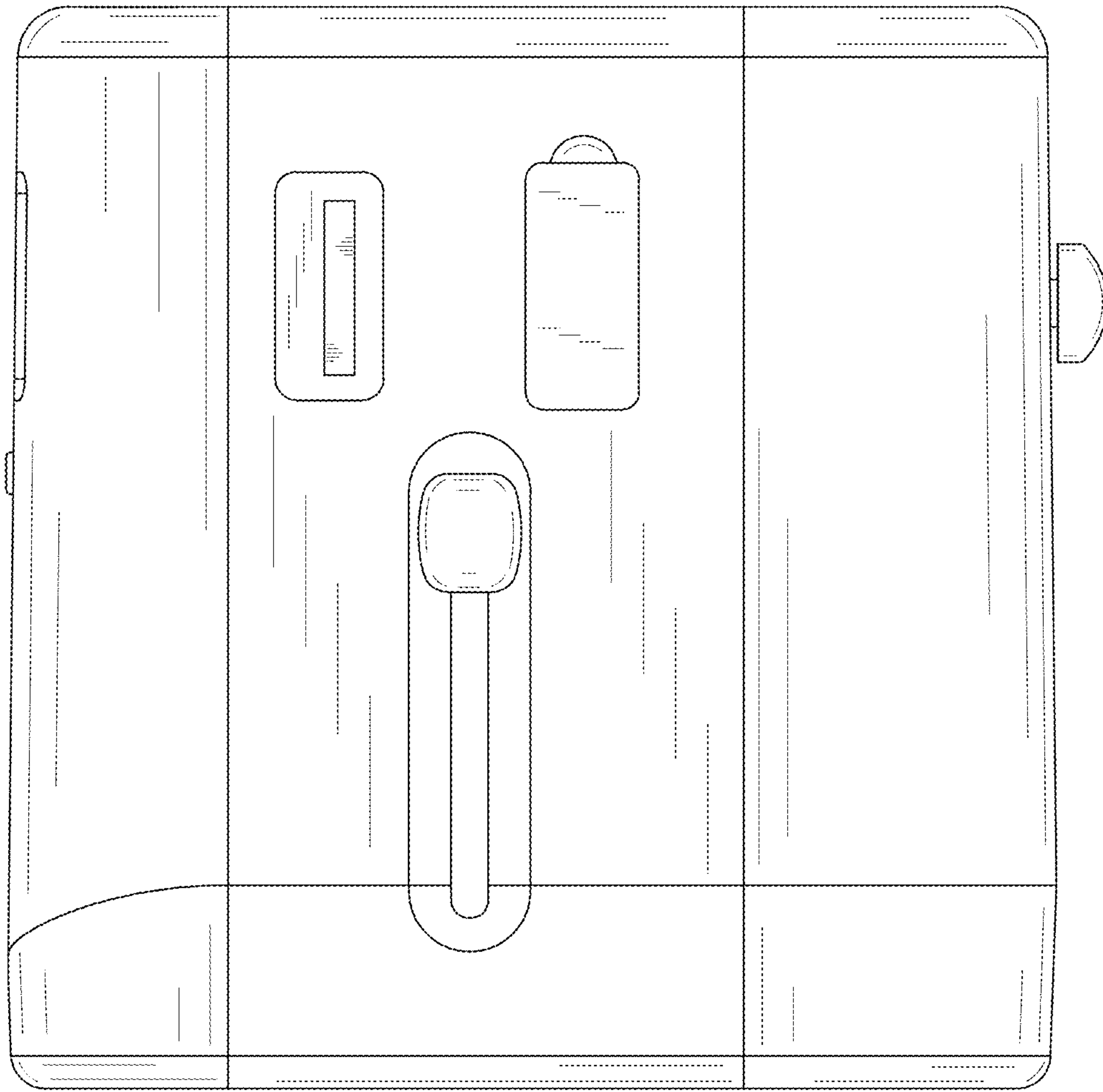


FIG.4

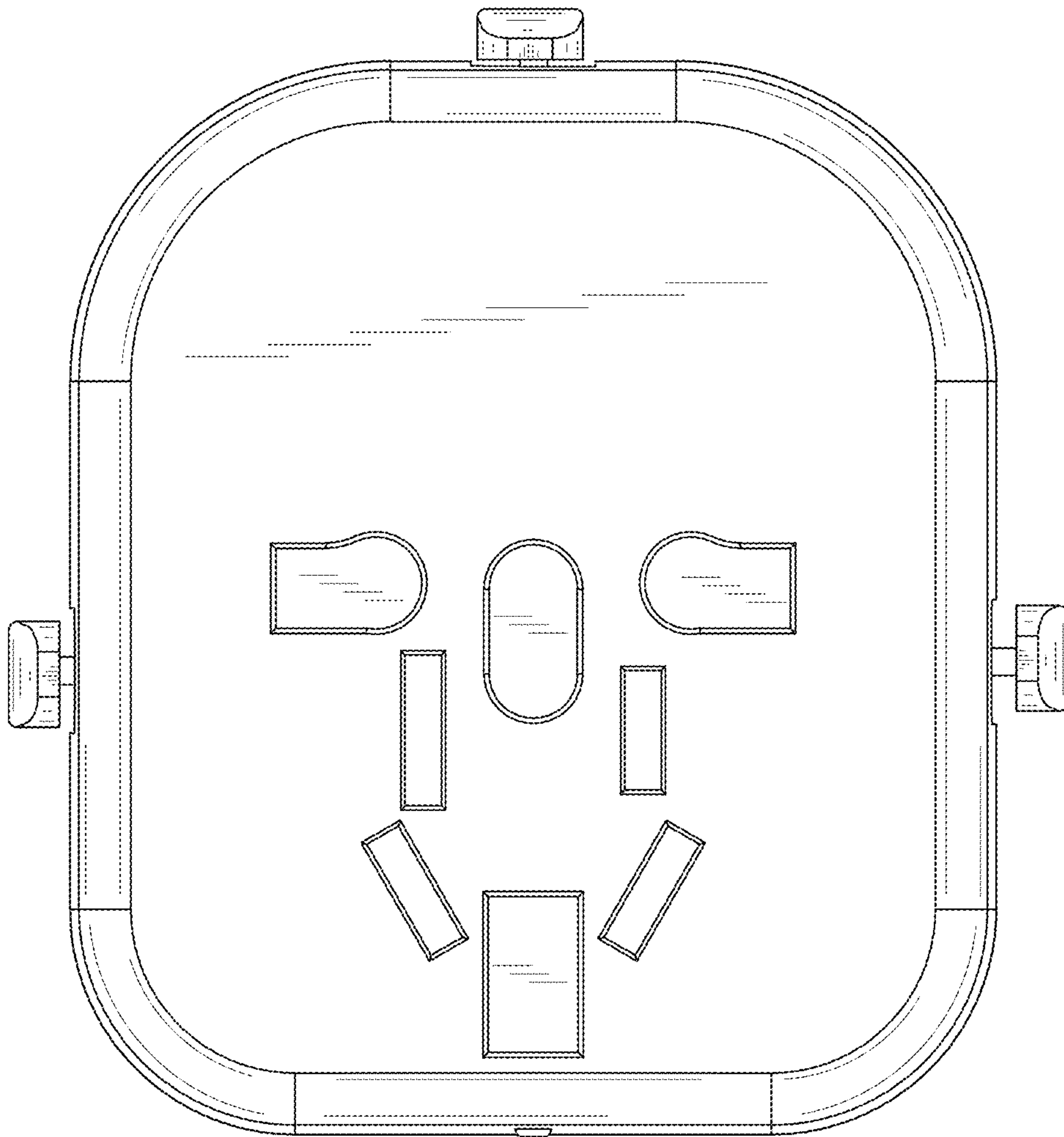


FIG. 5

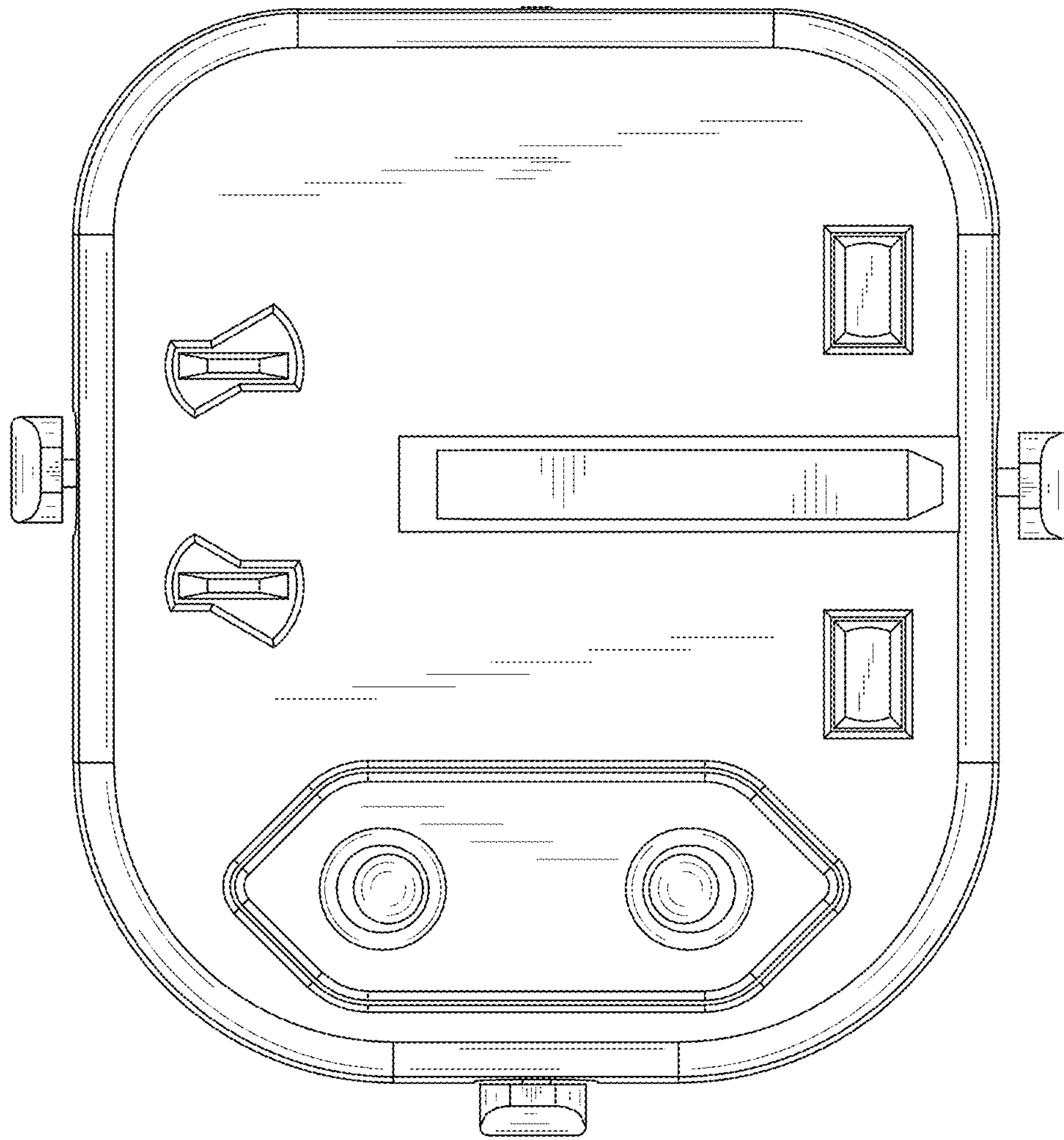


FIG.6



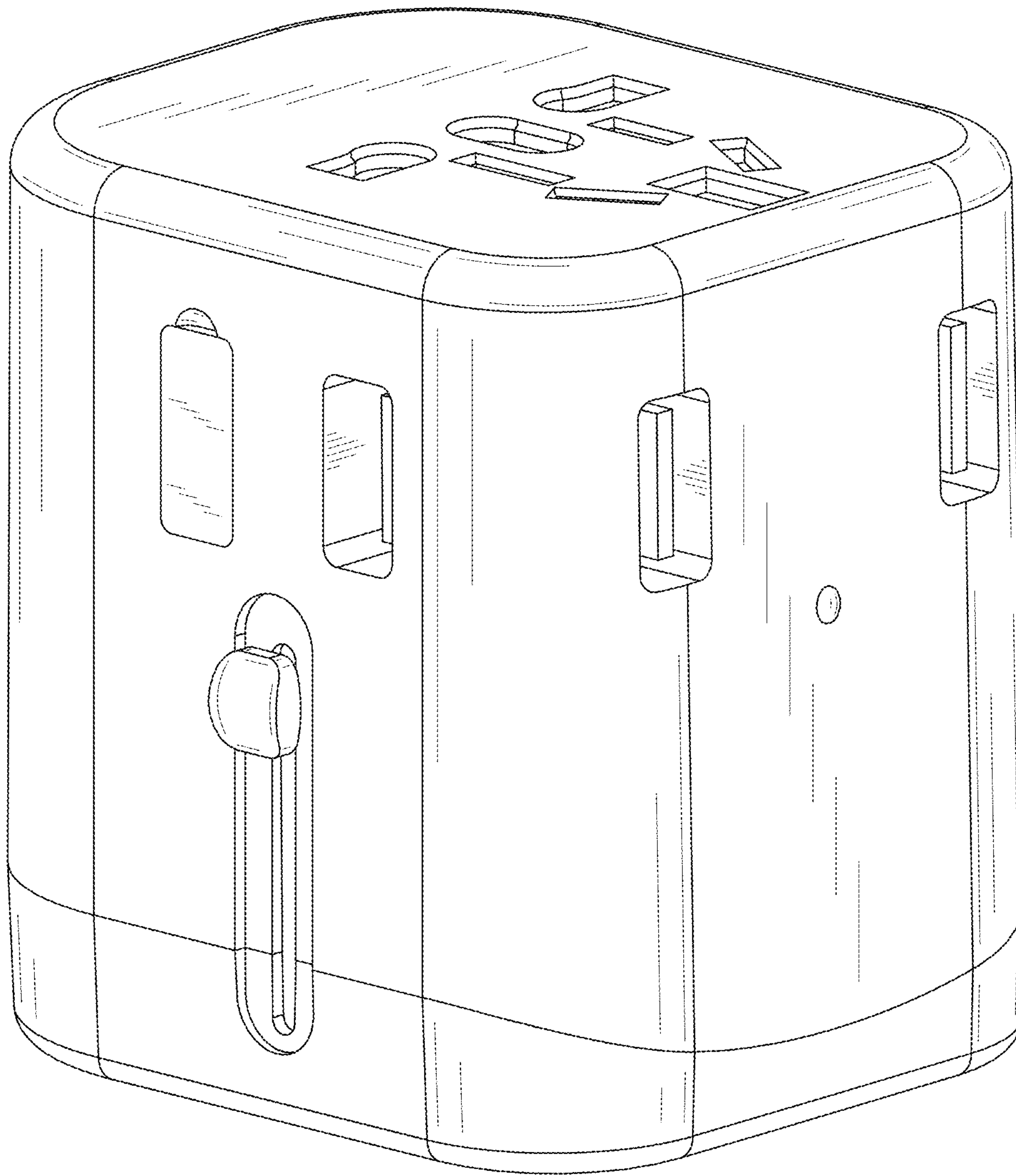


FIG.7

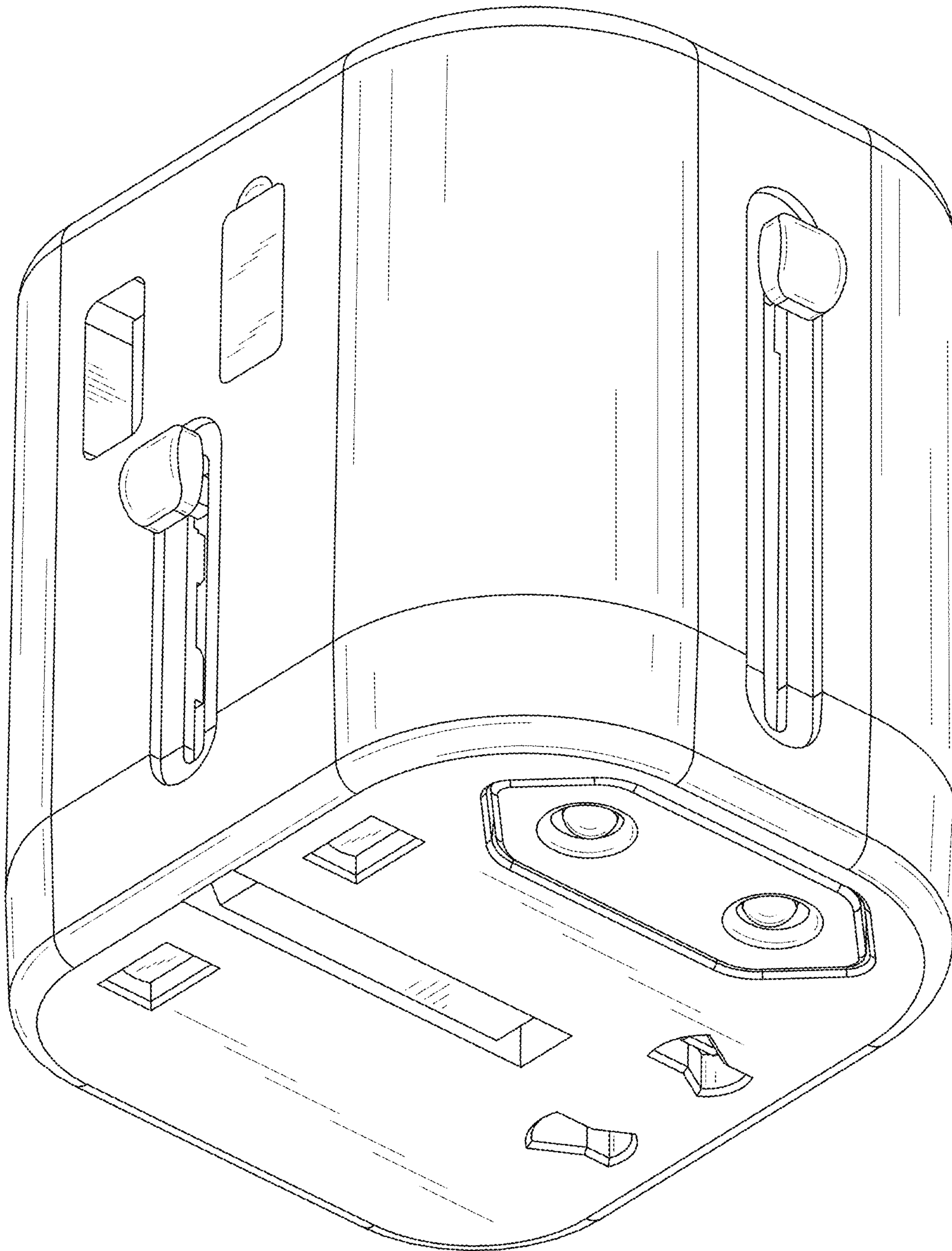


FIG.8

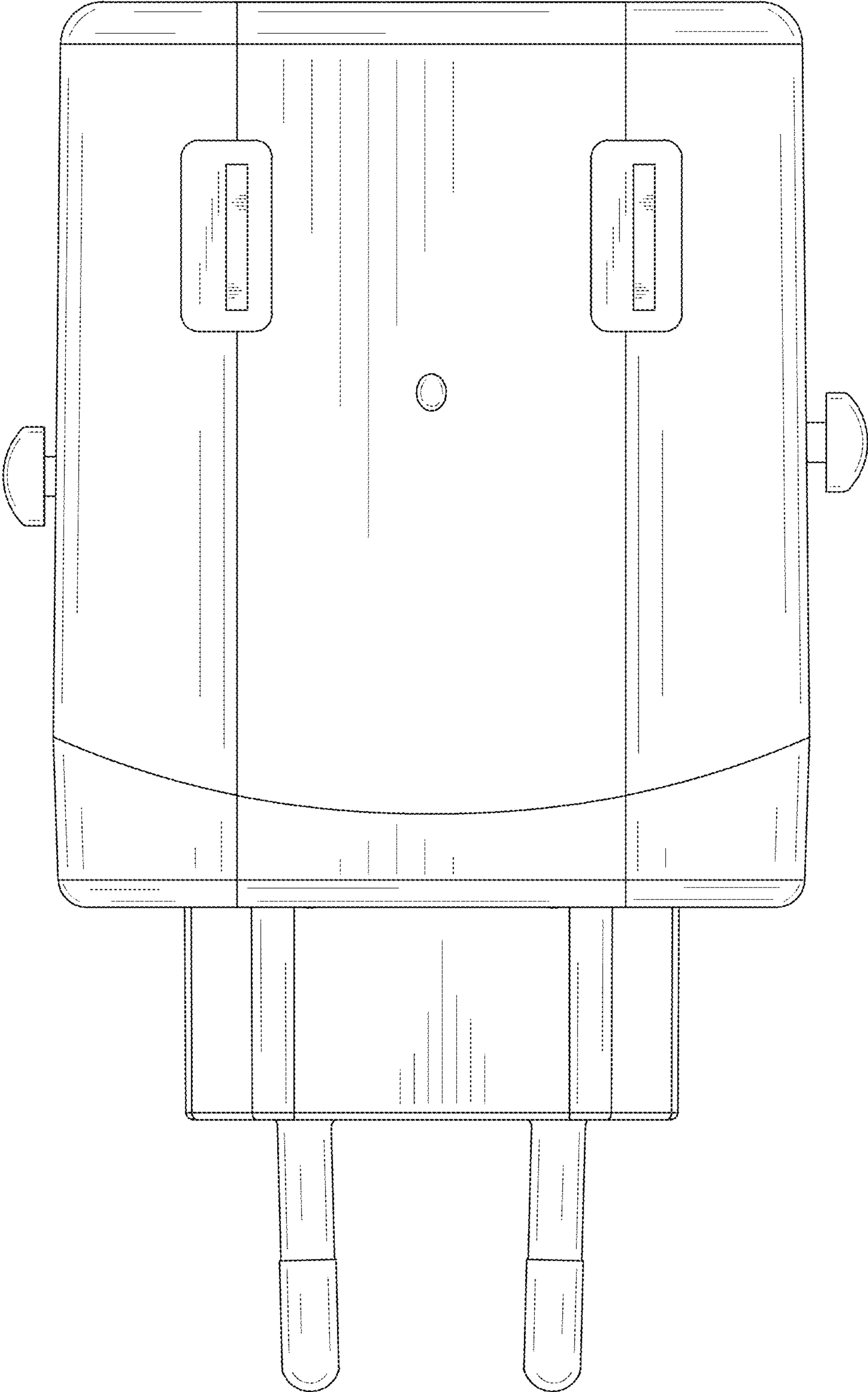


FIG.9

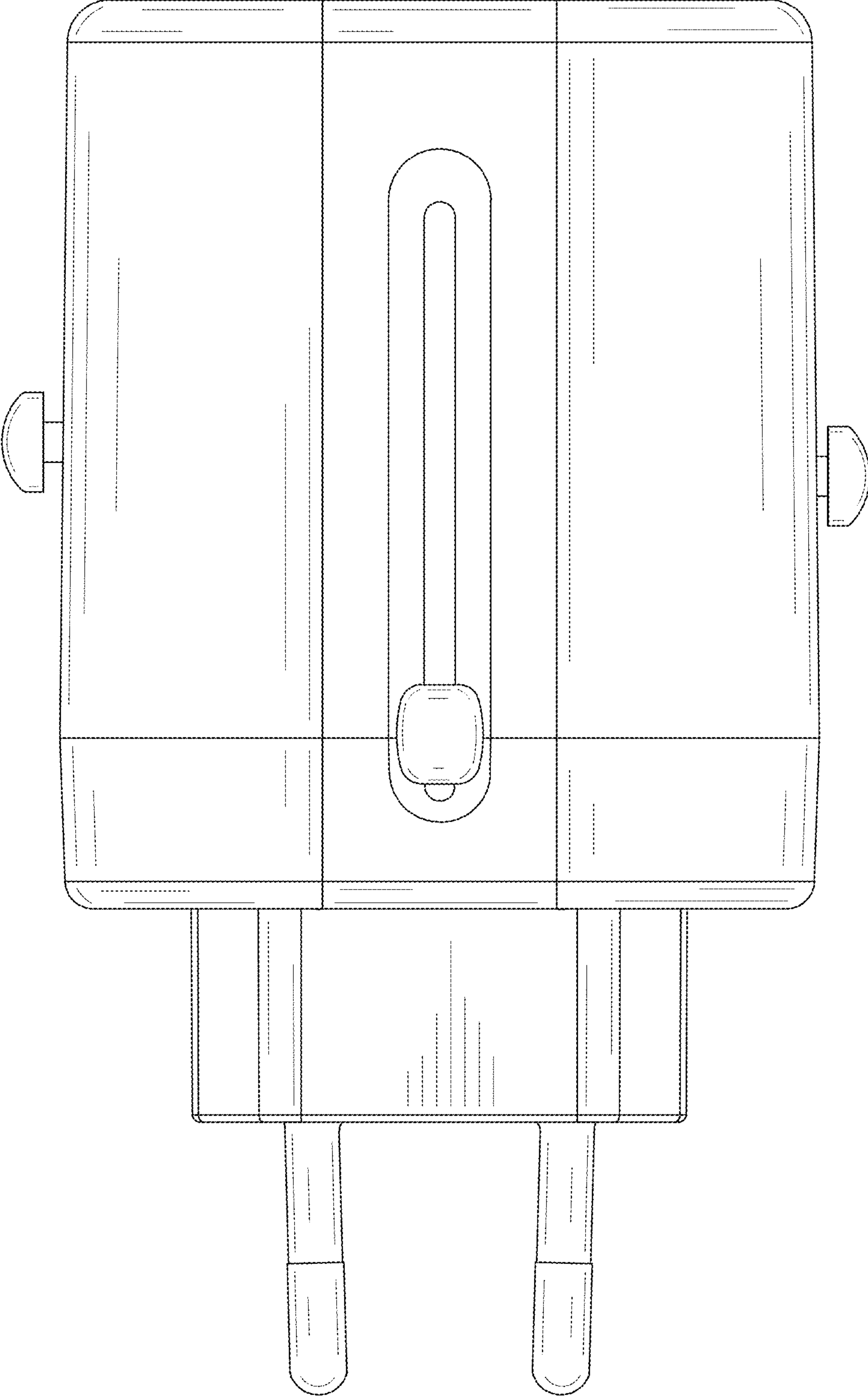


FIG.10

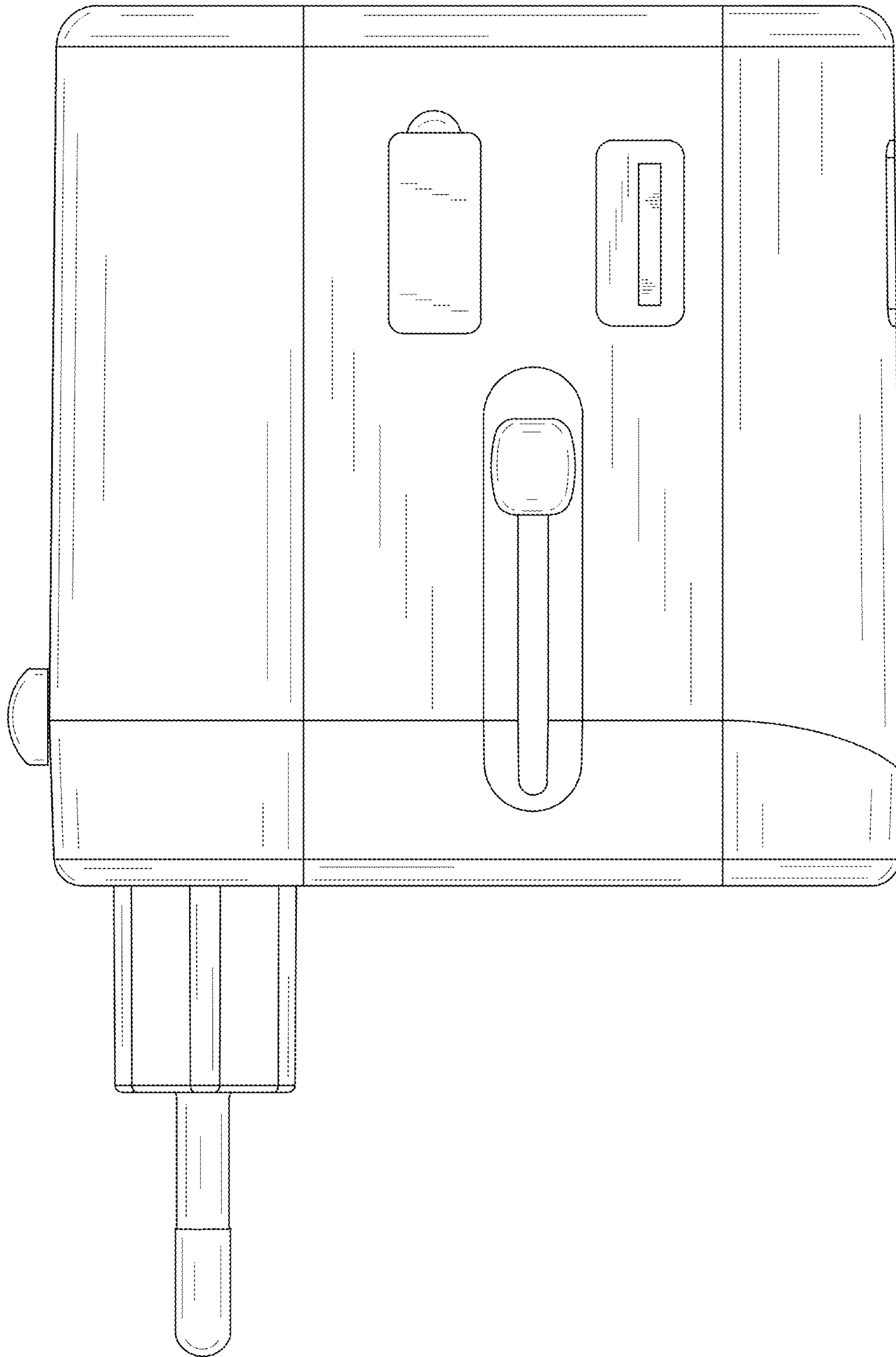


FIG. 11



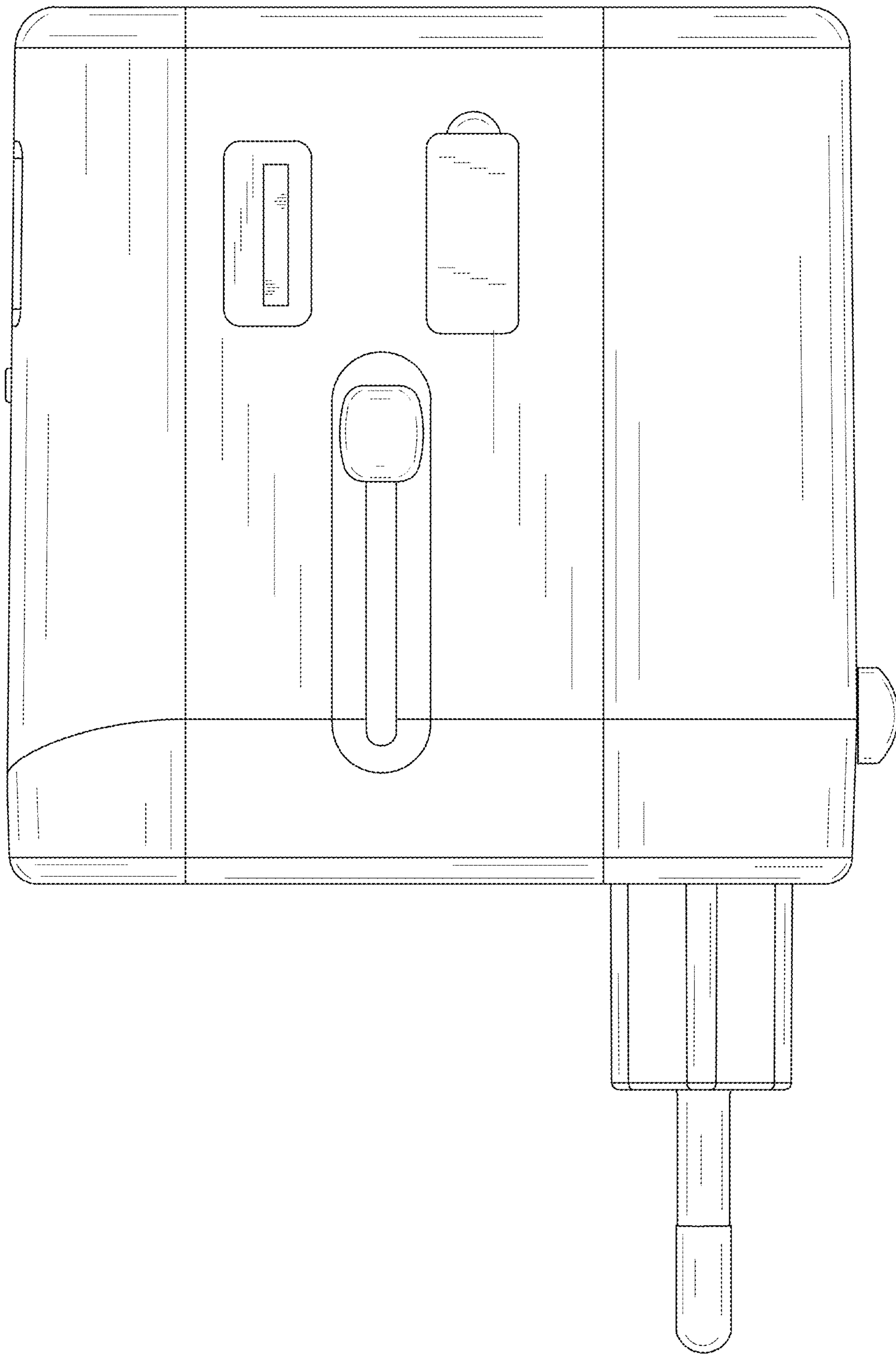


FIG.12

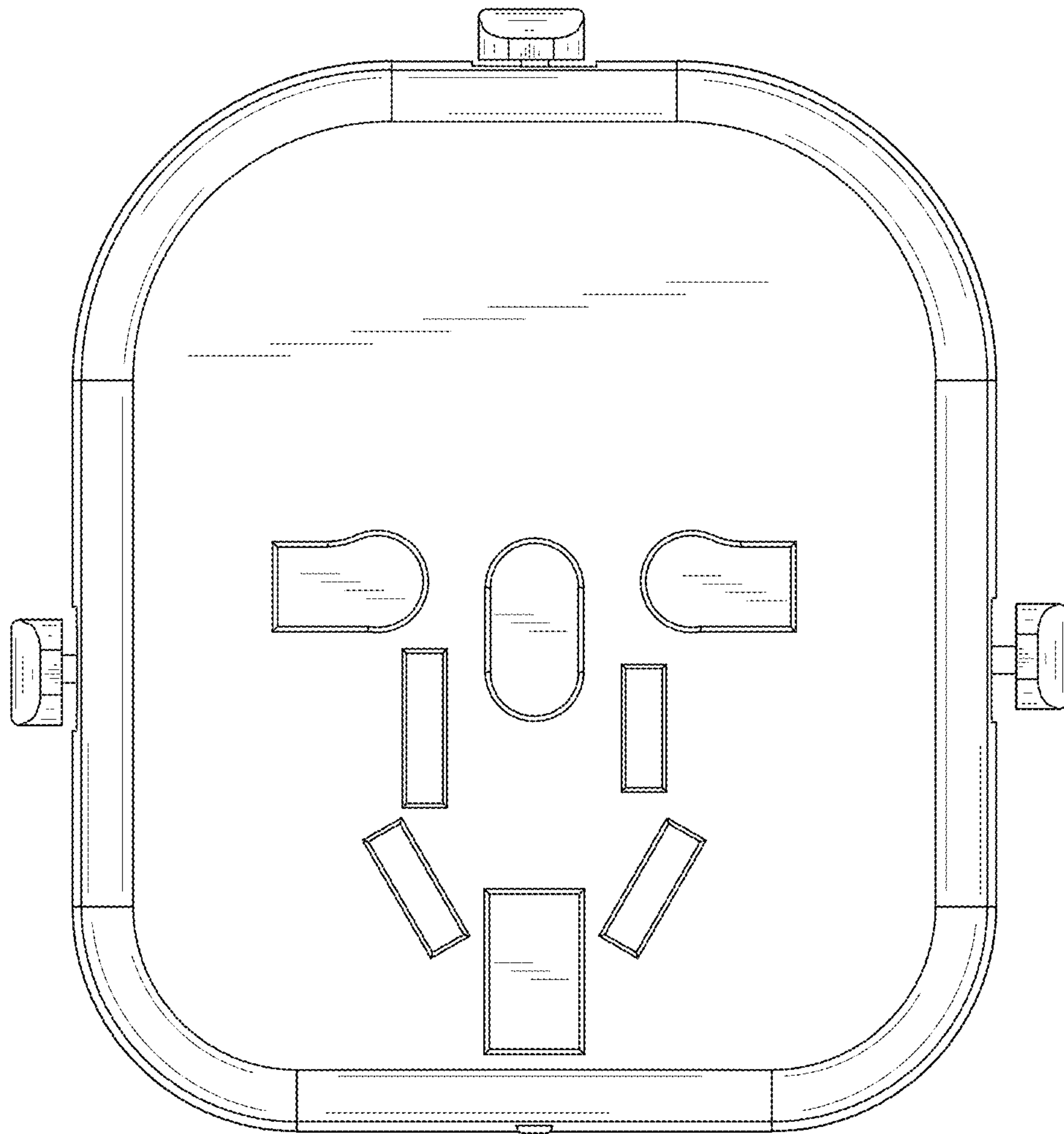


FIG.13

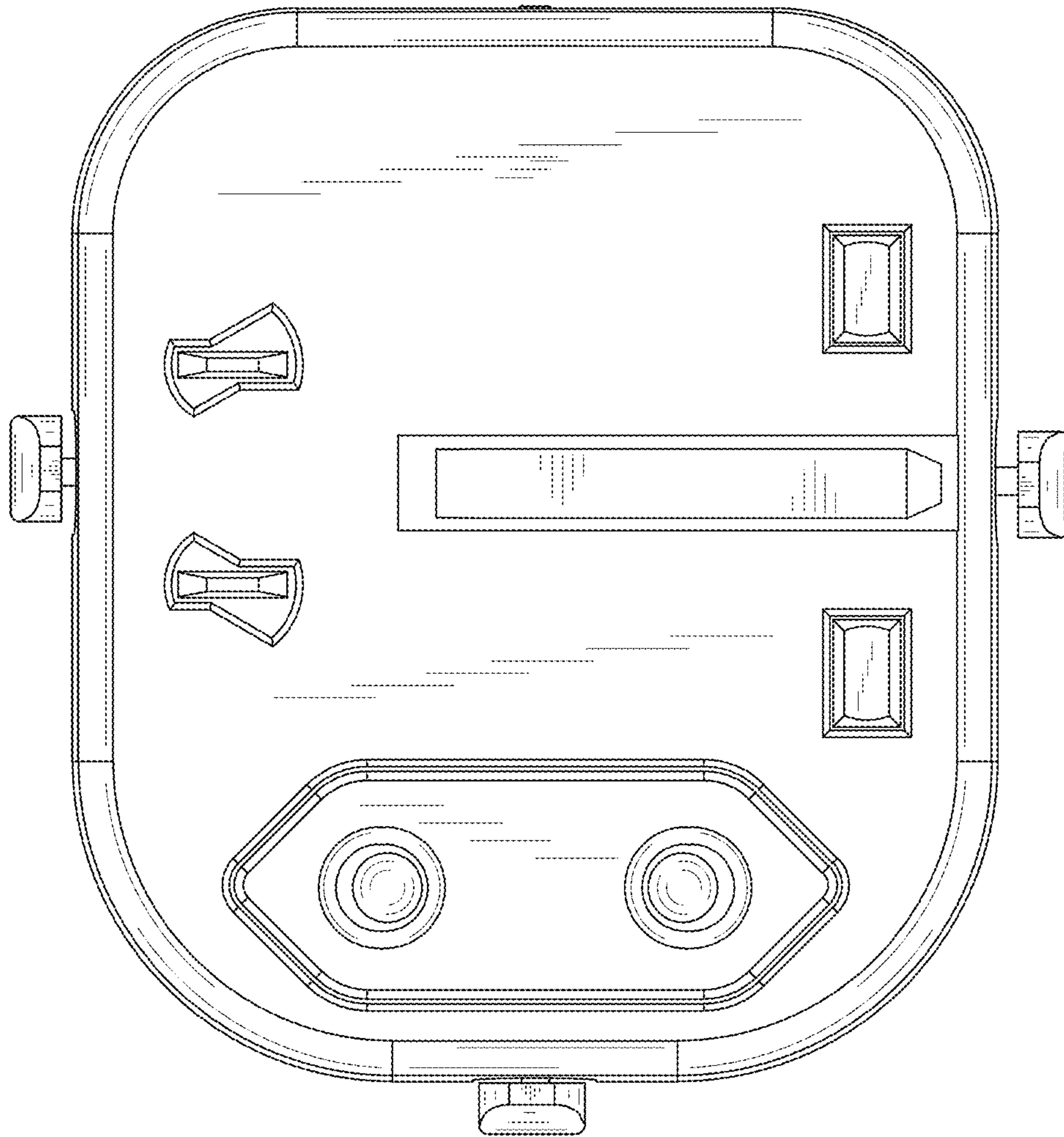


FIG.14

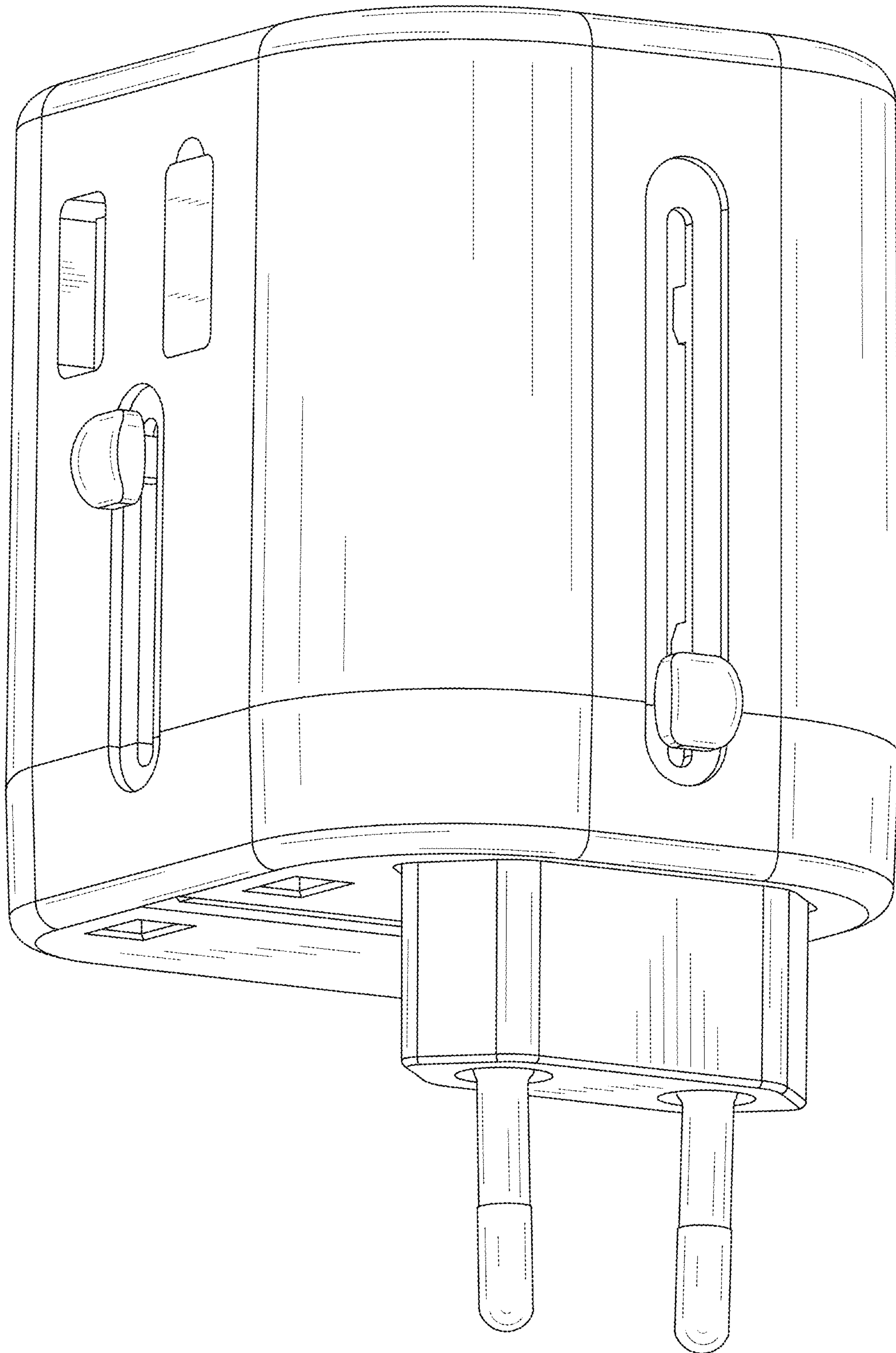


FIG.15

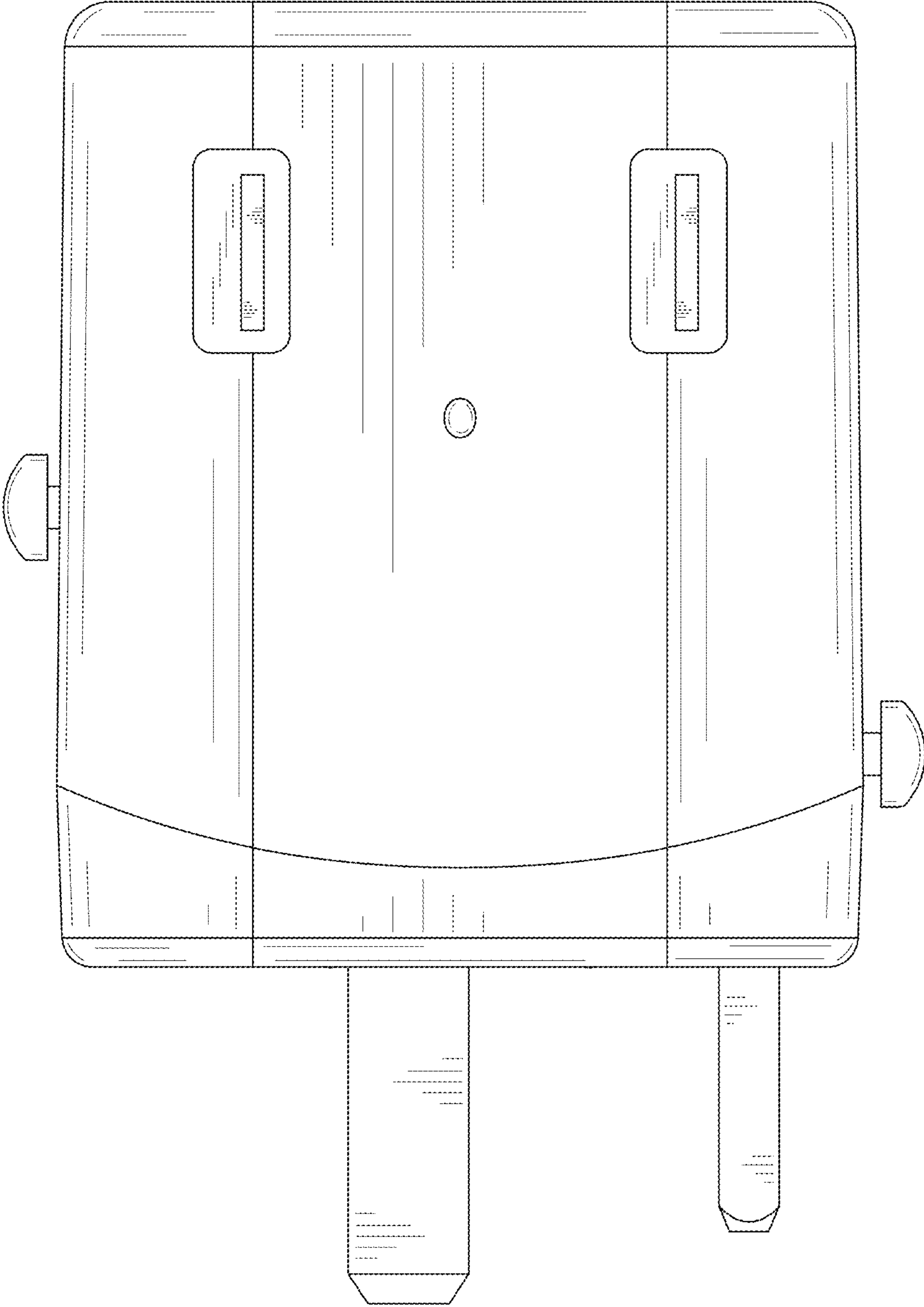


FIG. 16



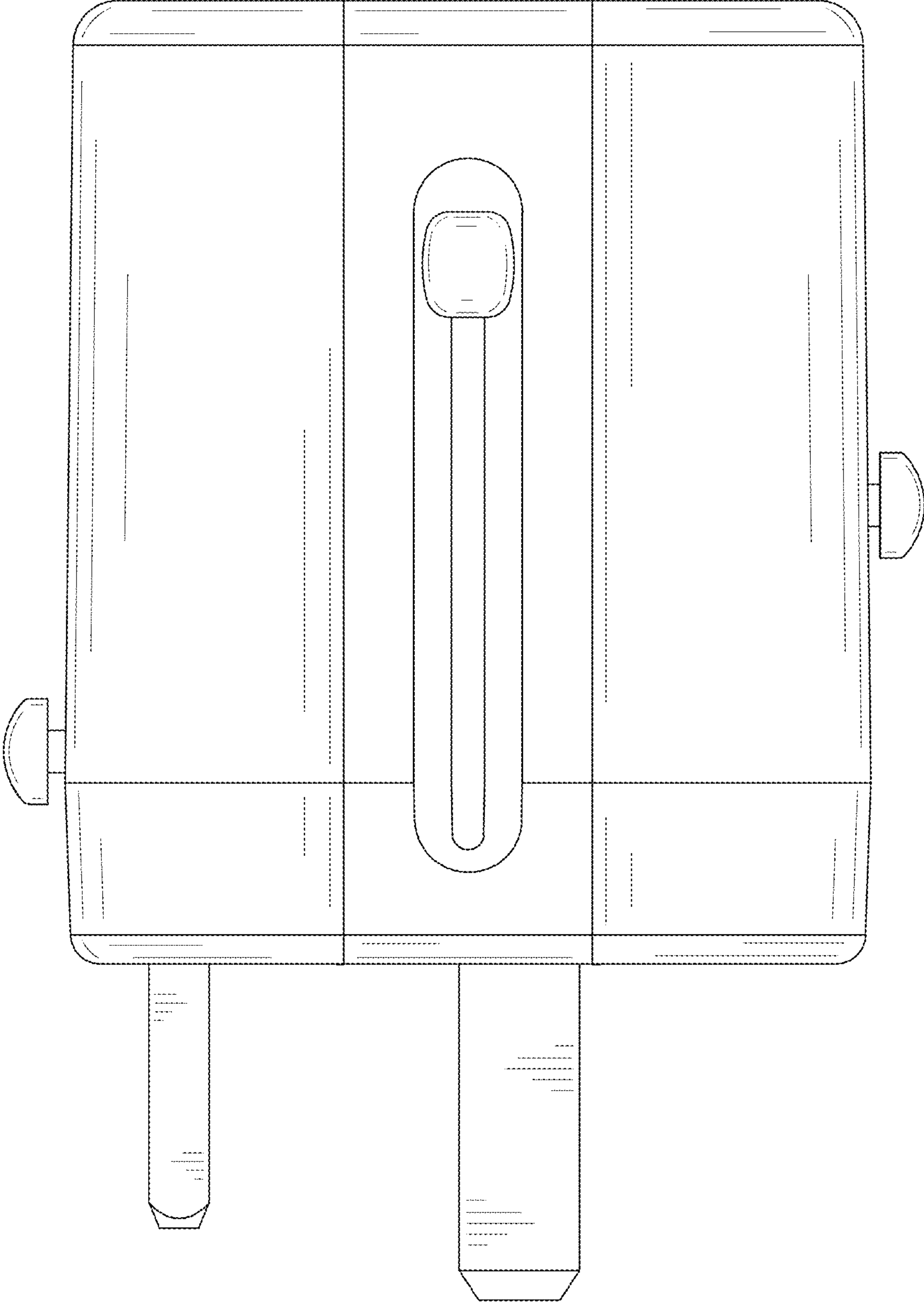


FIG.17

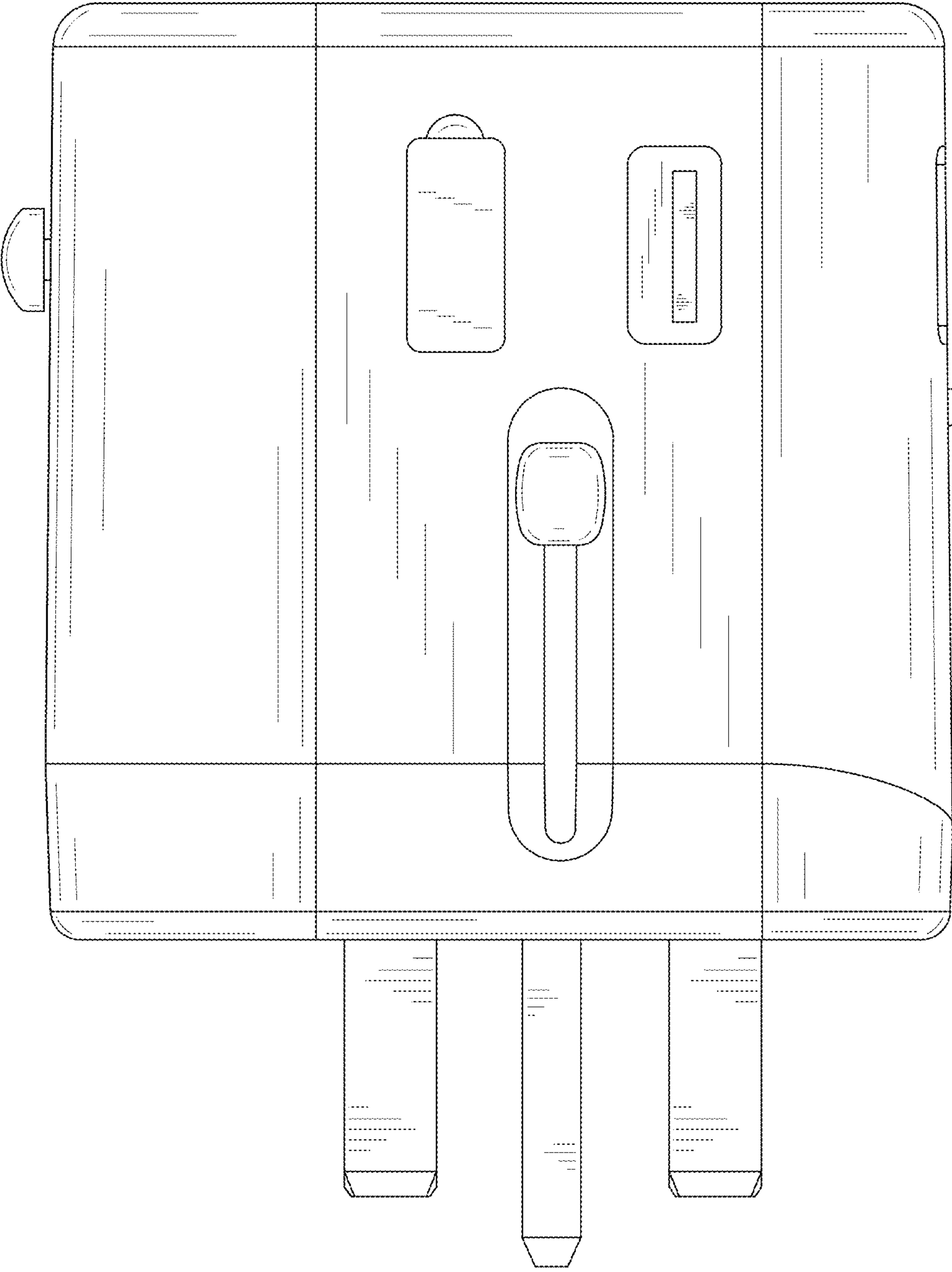


FIG.18

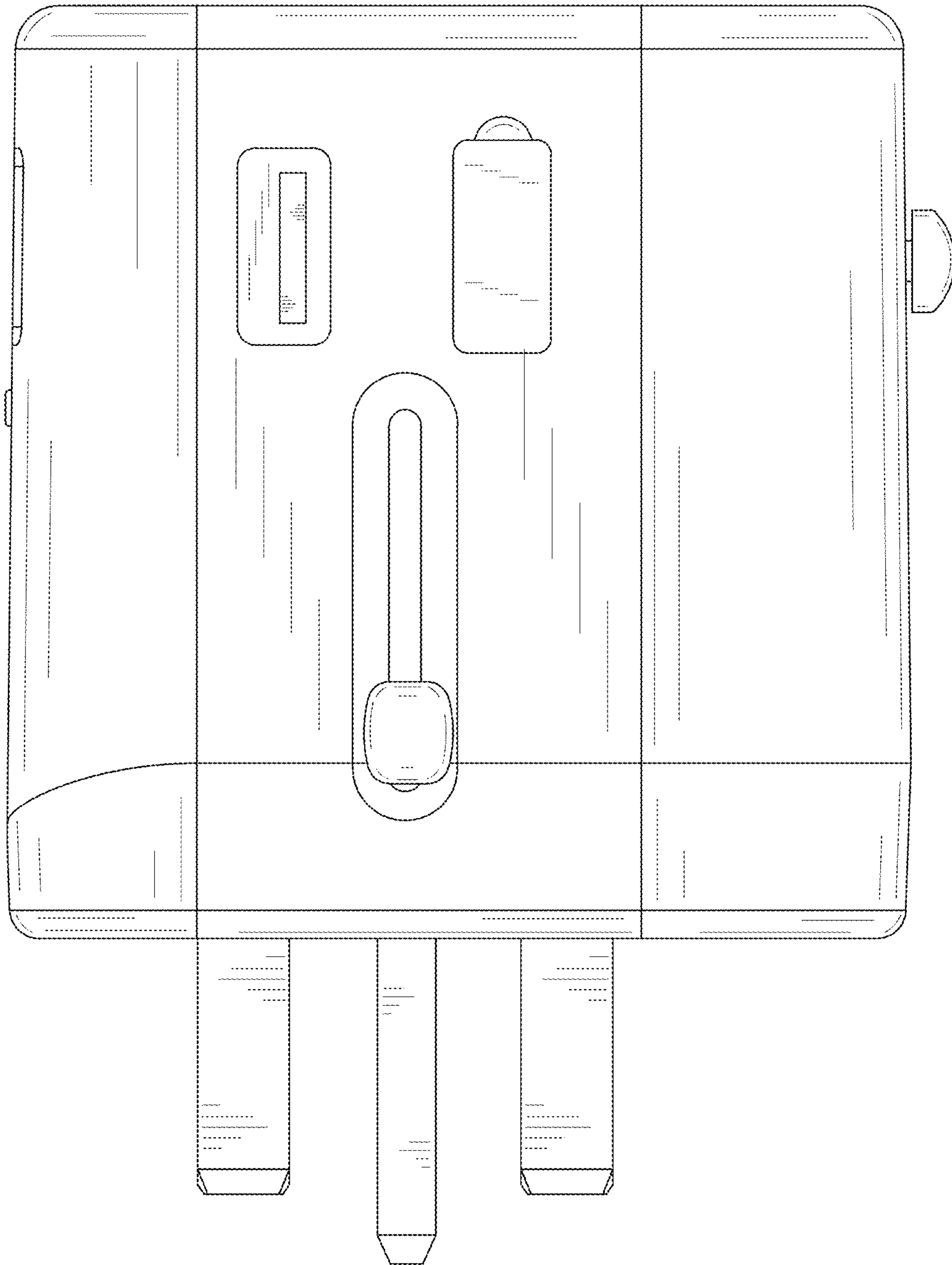


FIG. 19

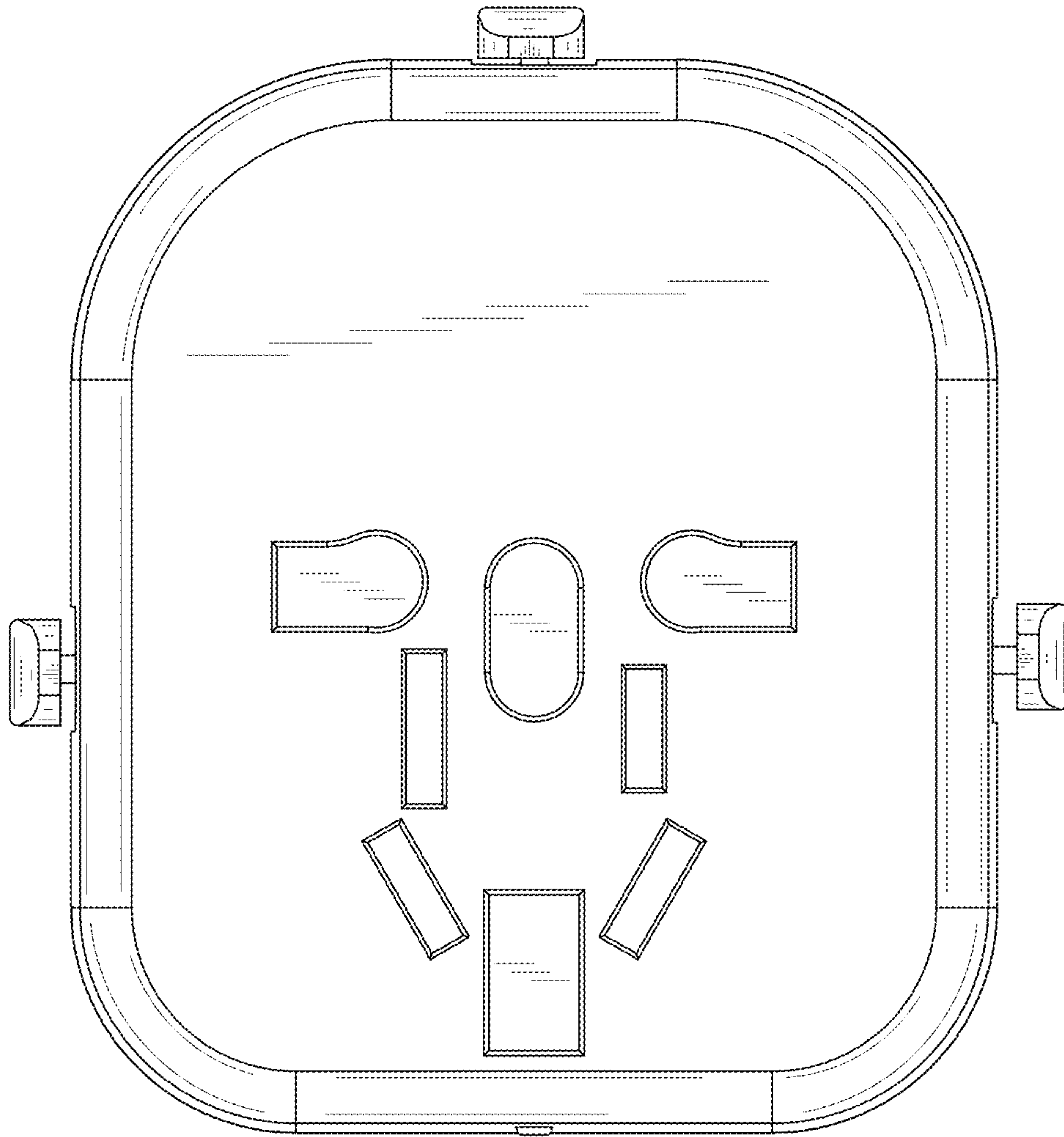


FIG.20

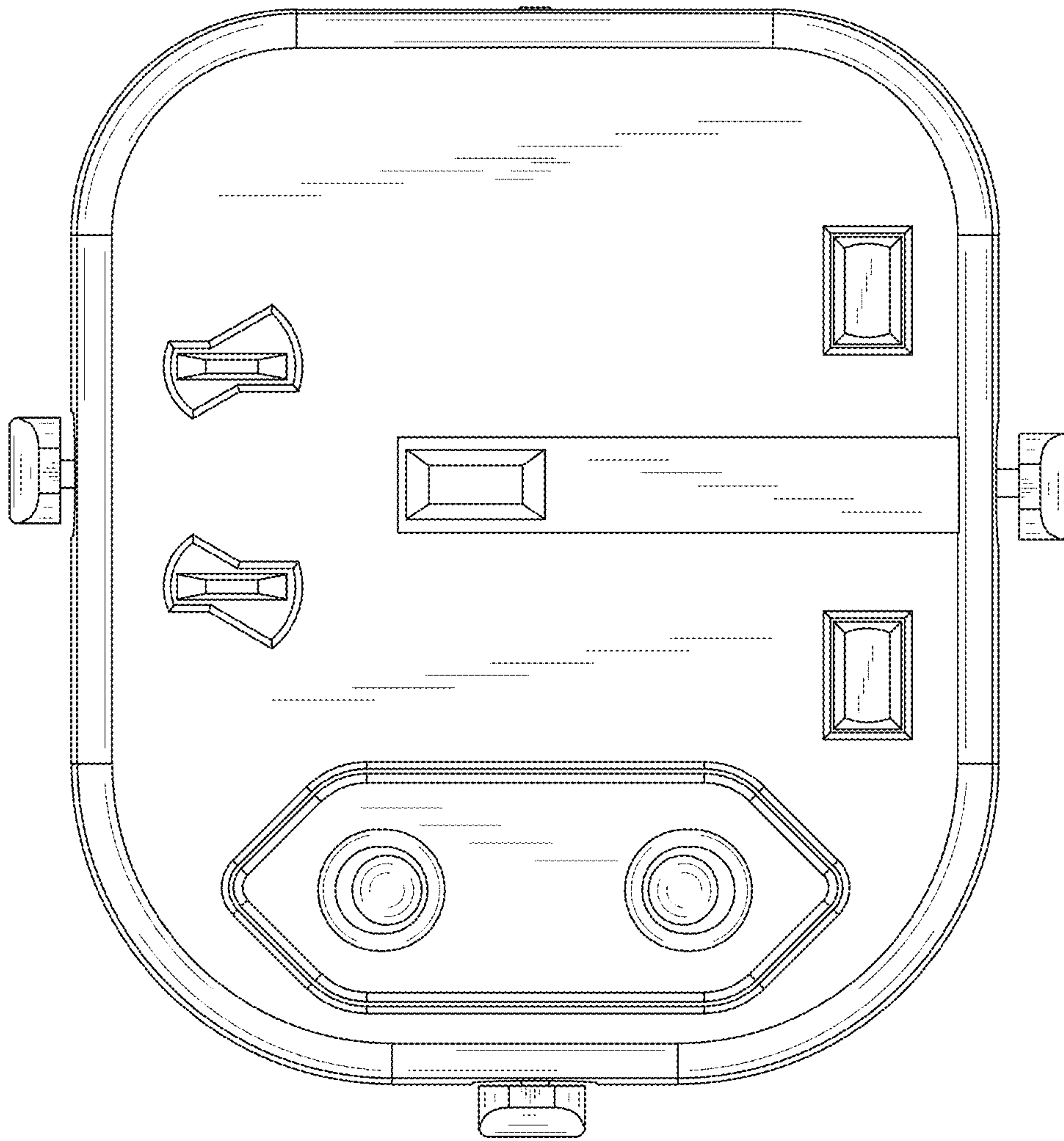


FIG.21



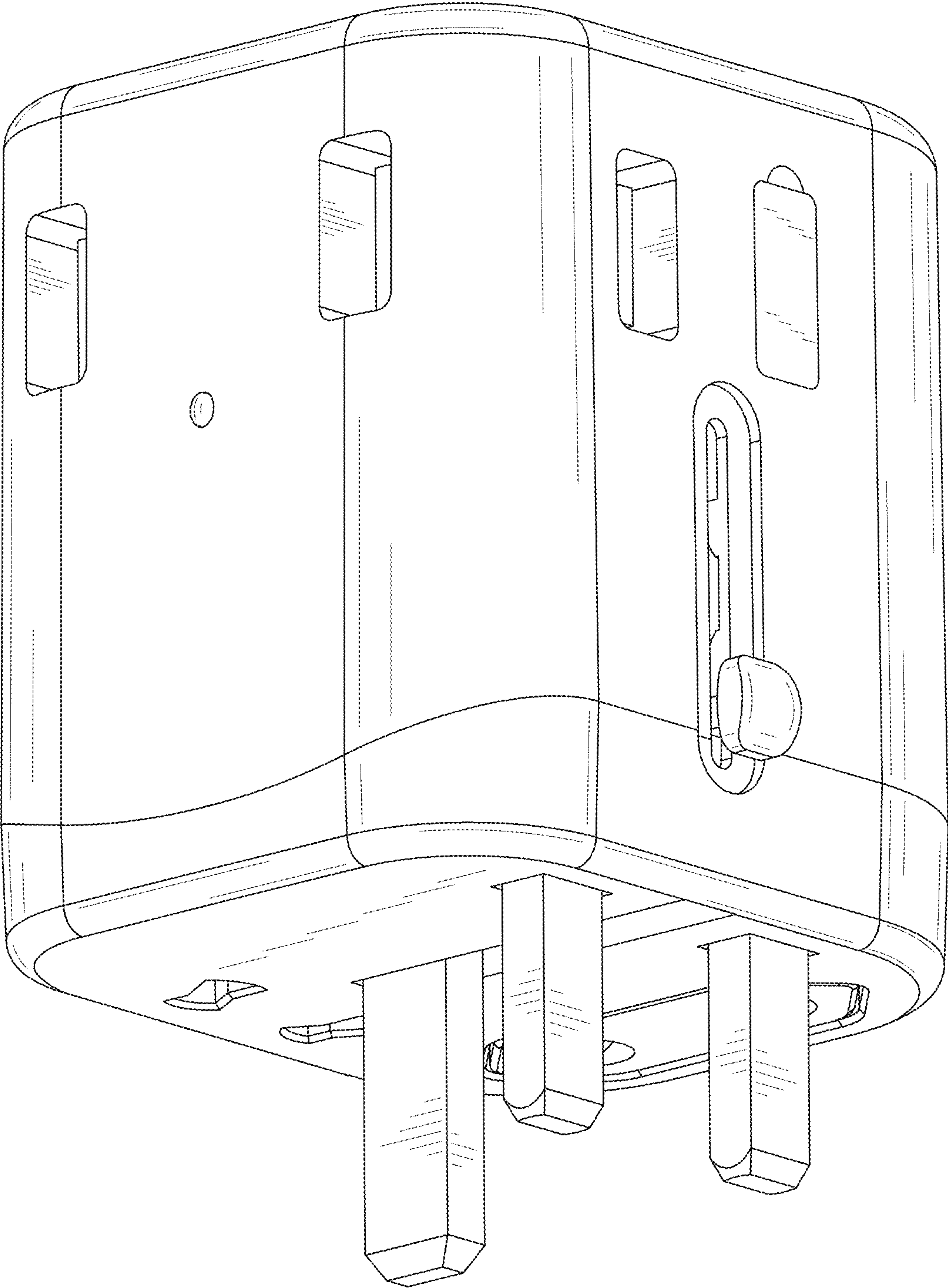


FIG.22

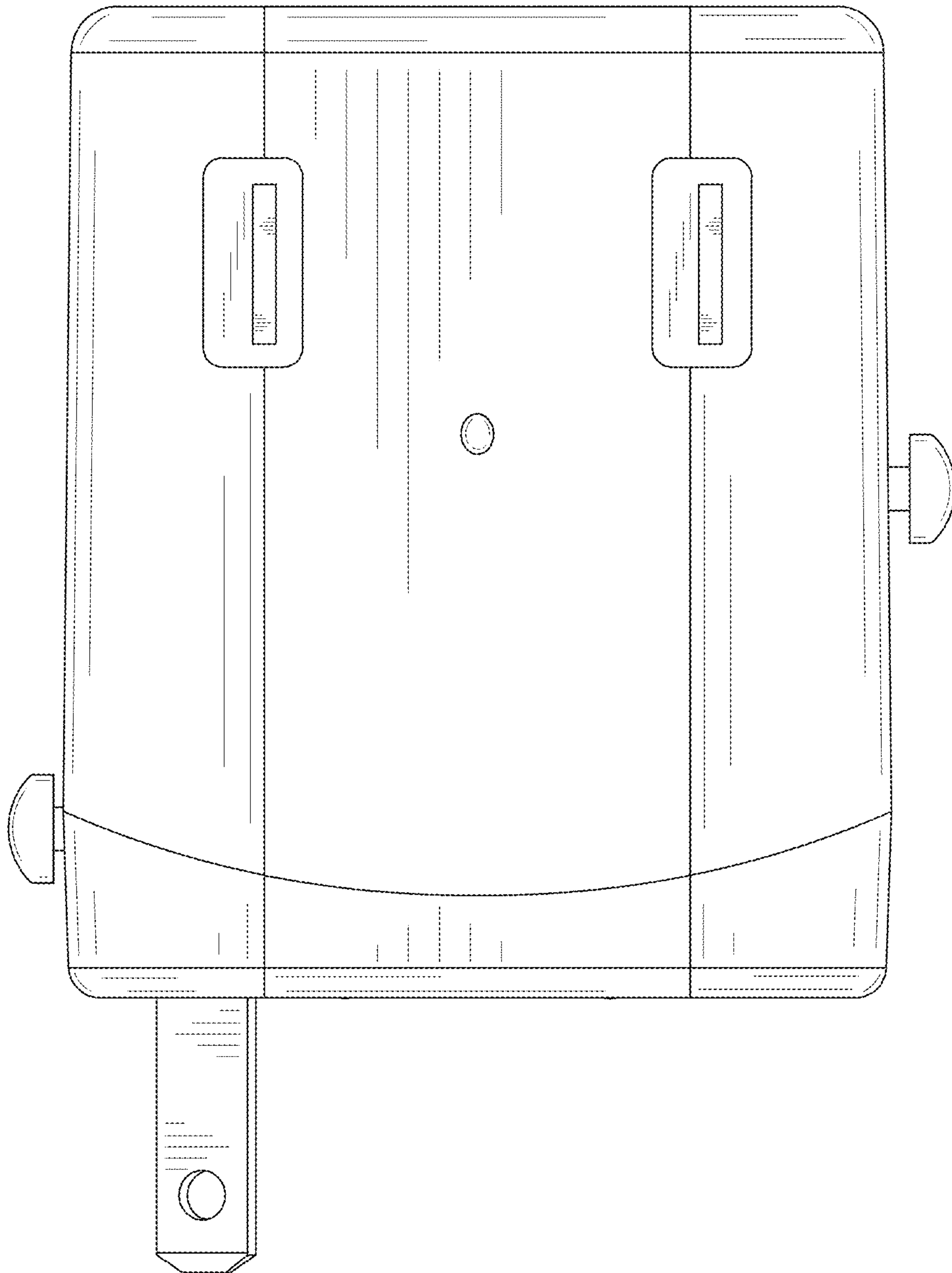


FIG.23

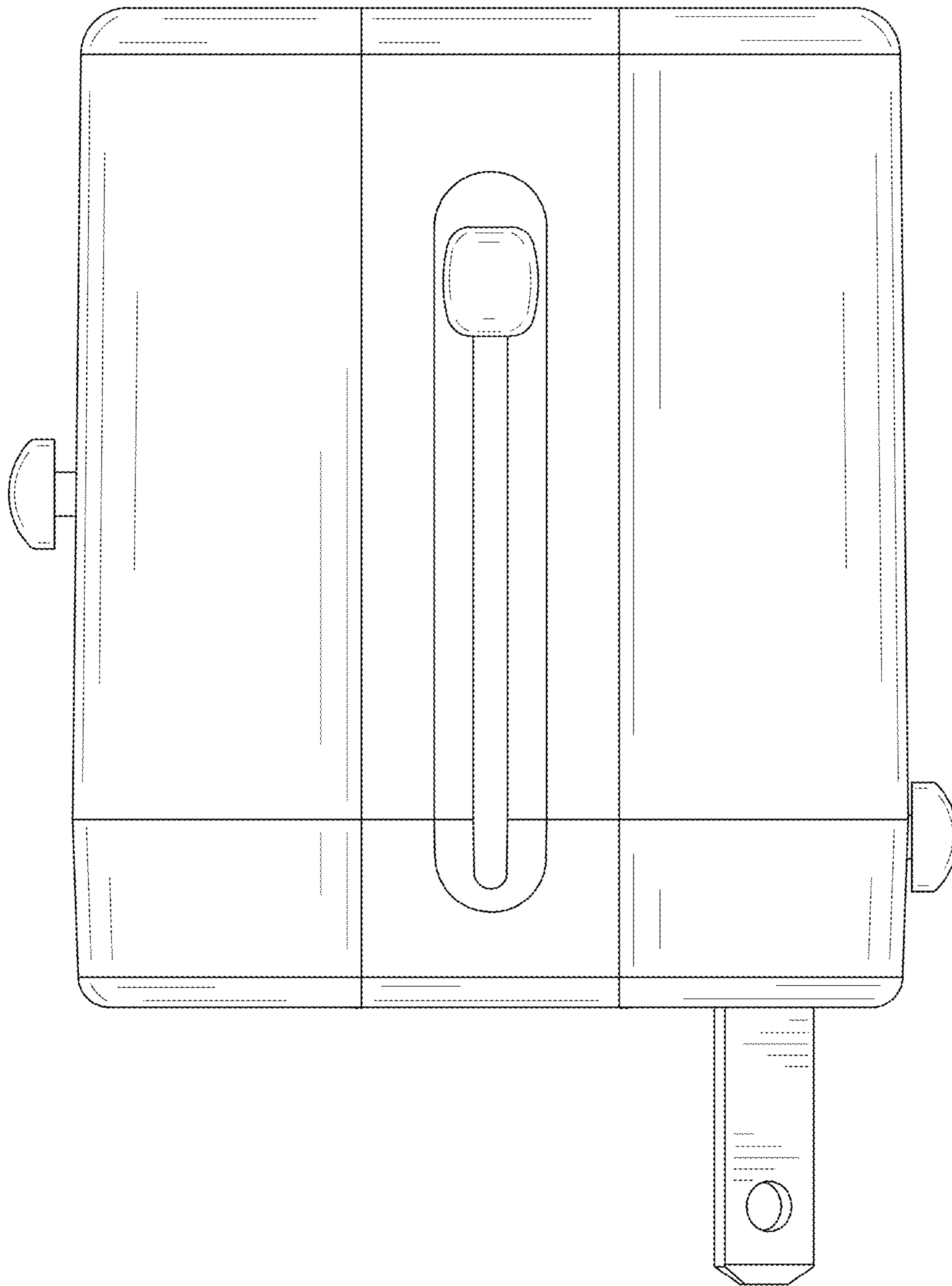


FIG.24

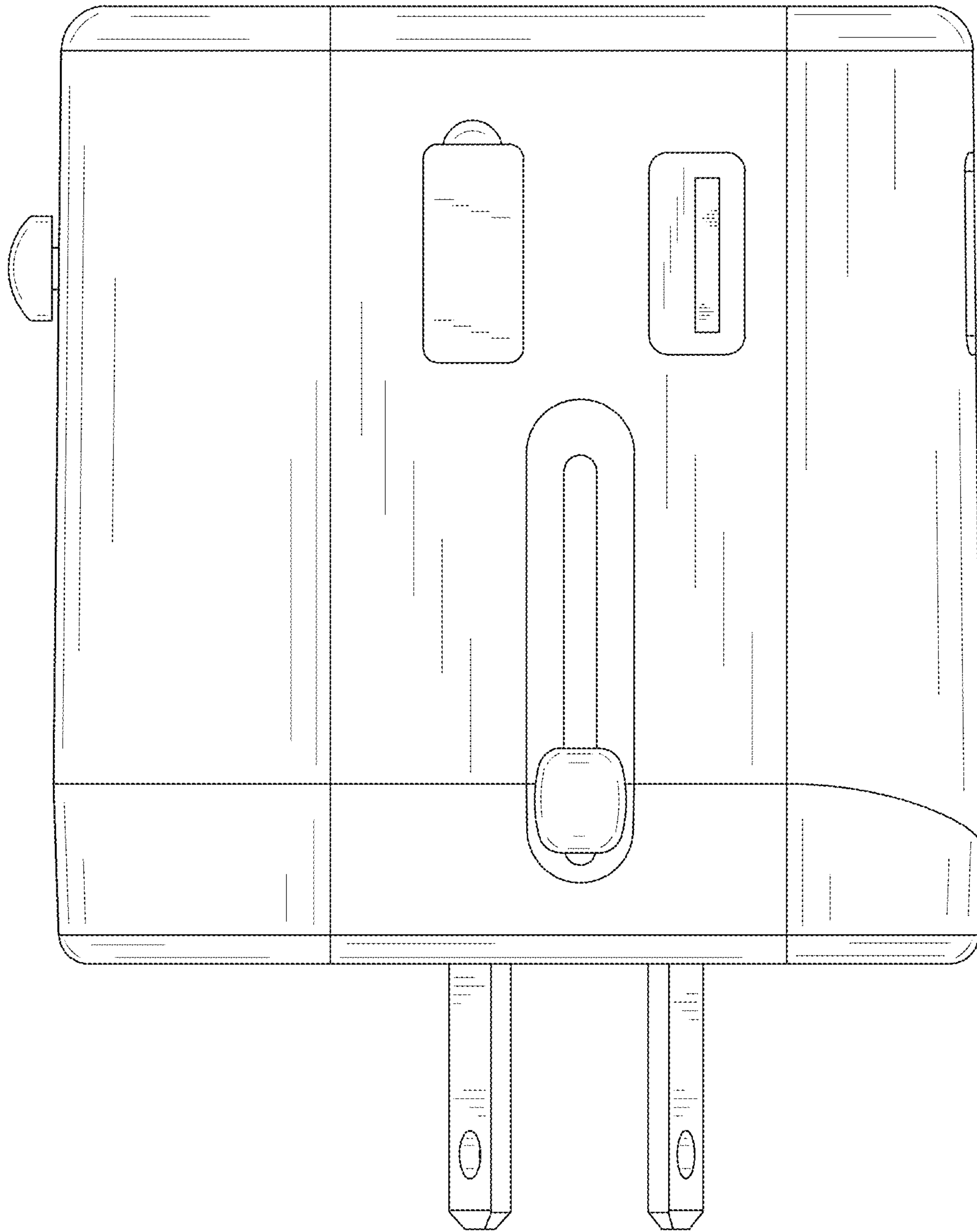


FIG.25

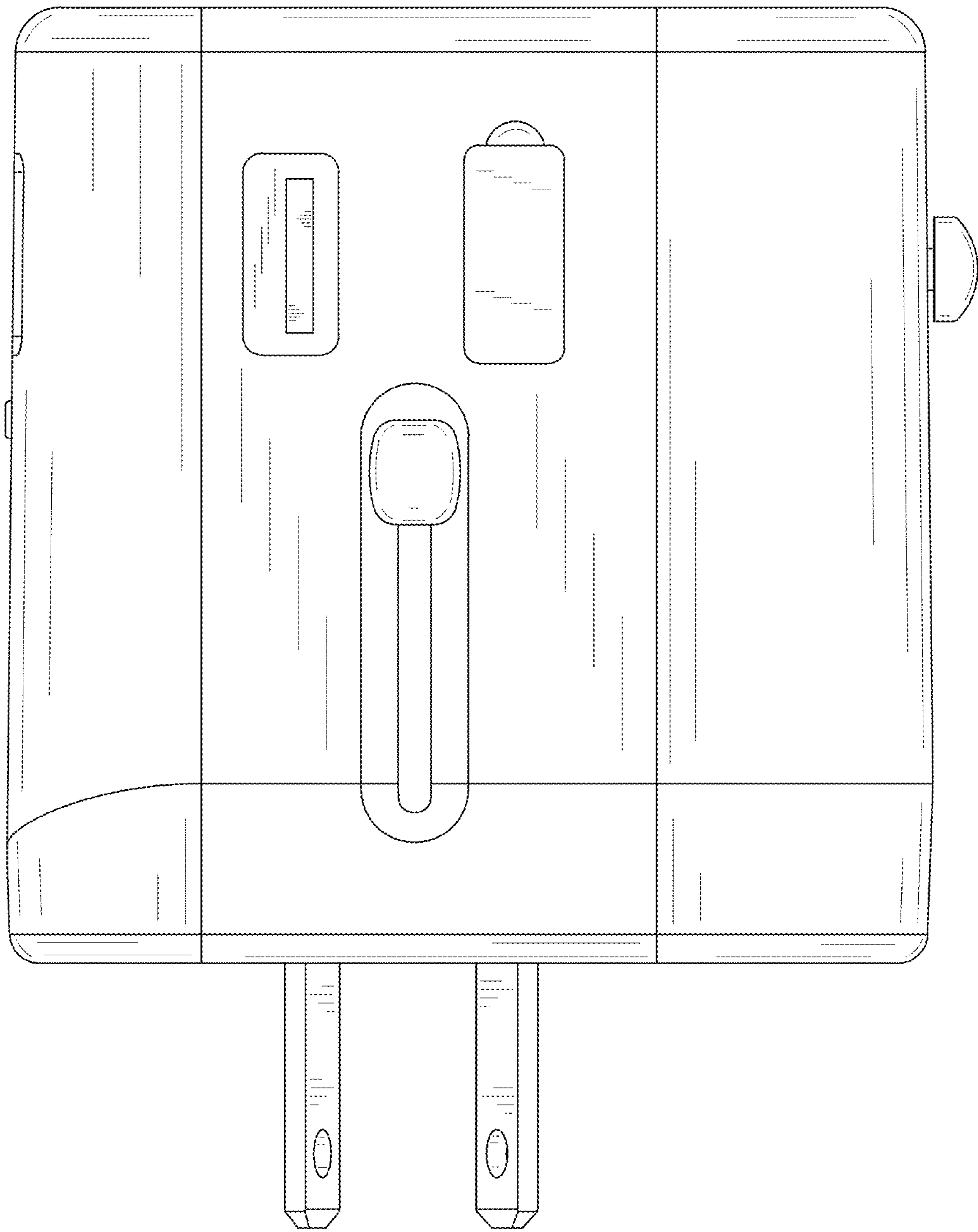


FIG.26



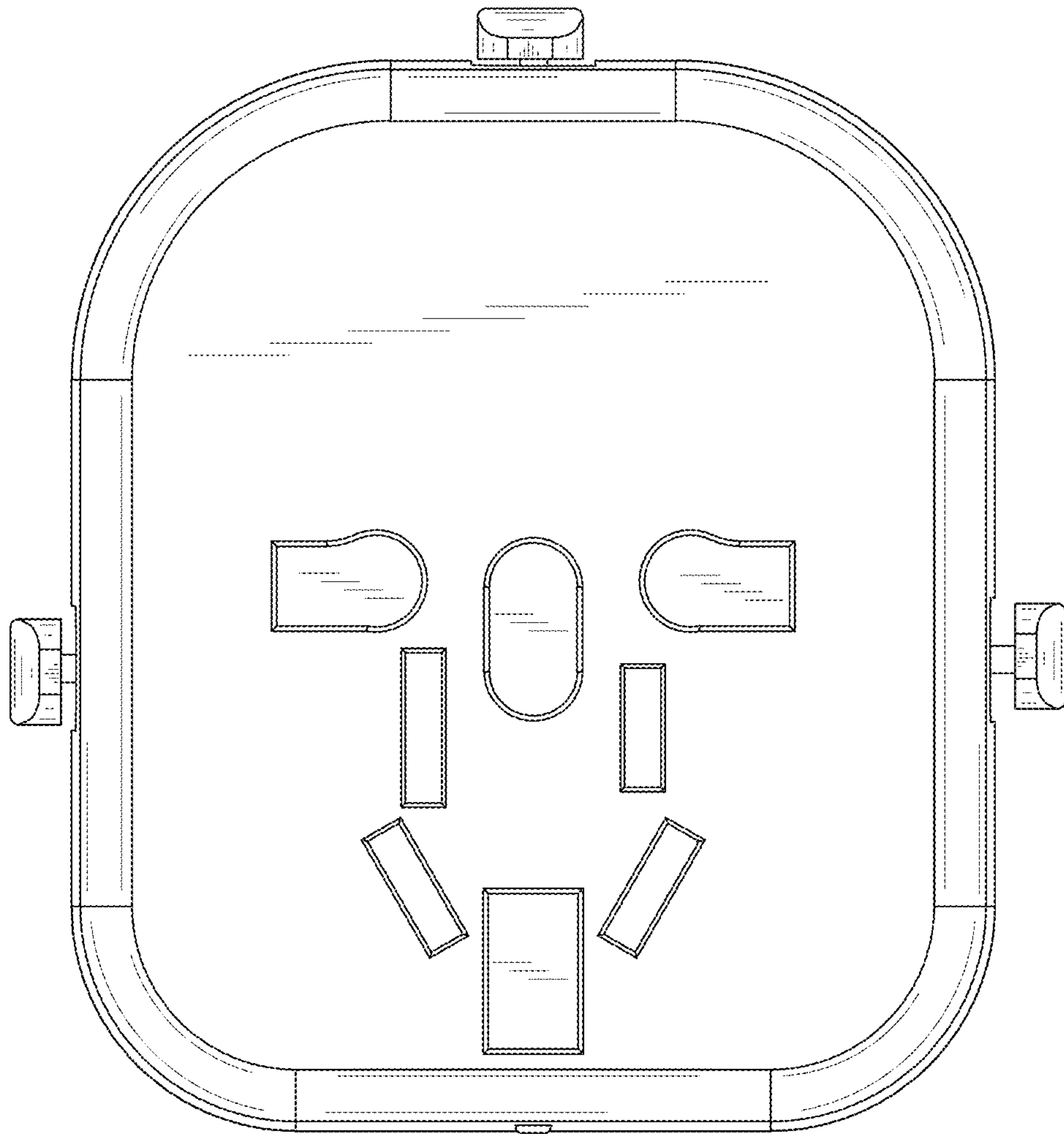


FIG.27

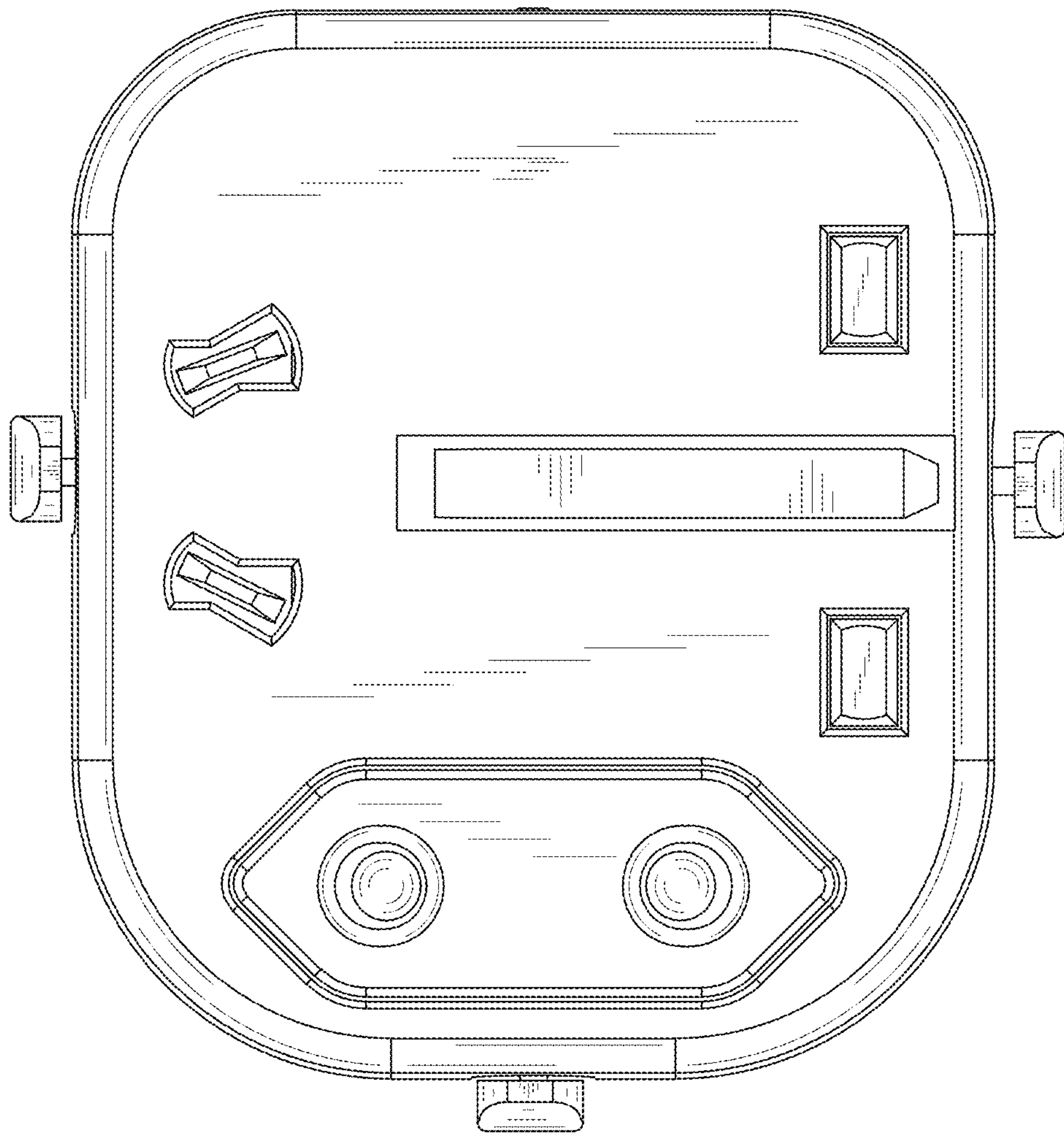


FIG.28

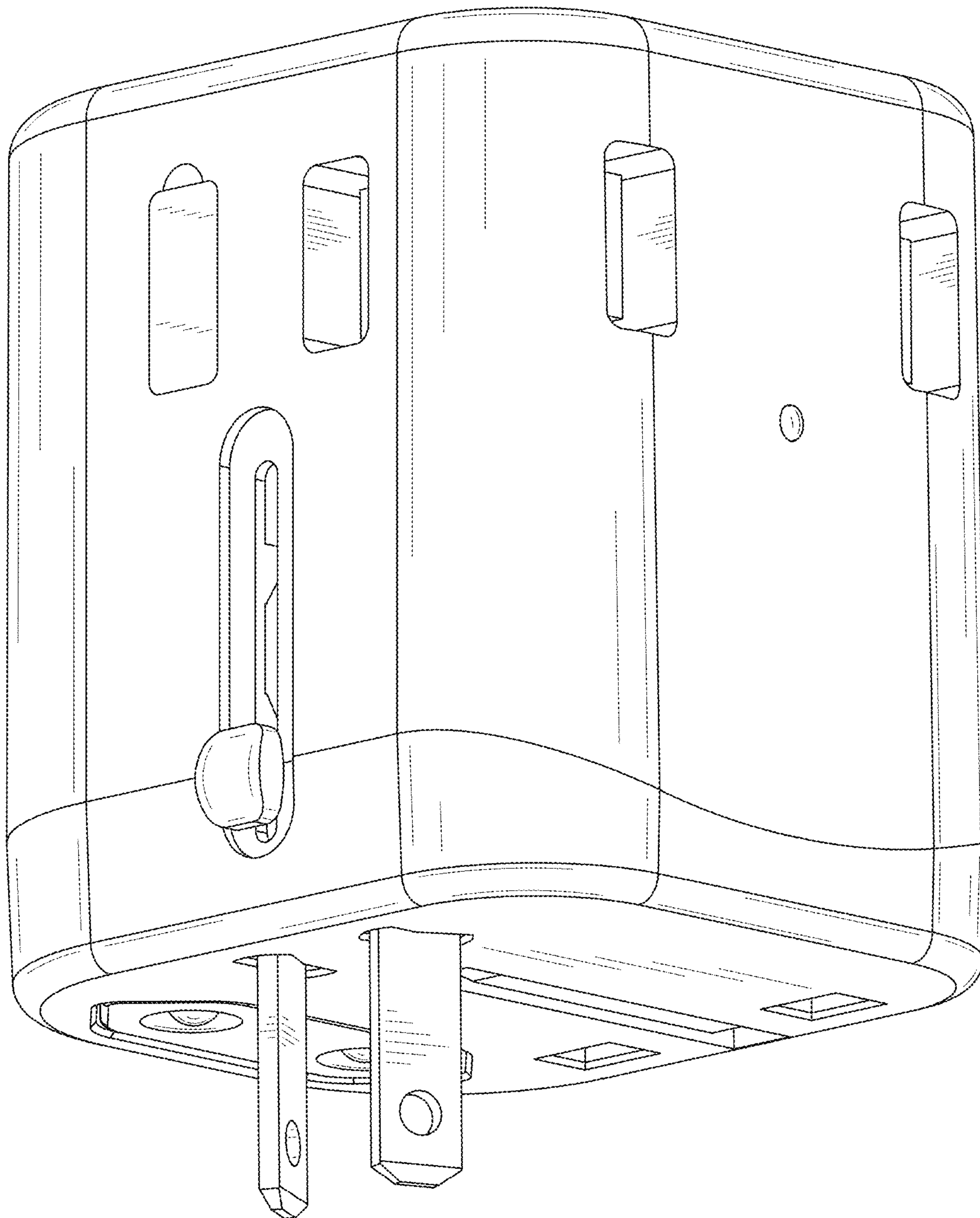


FIG.29

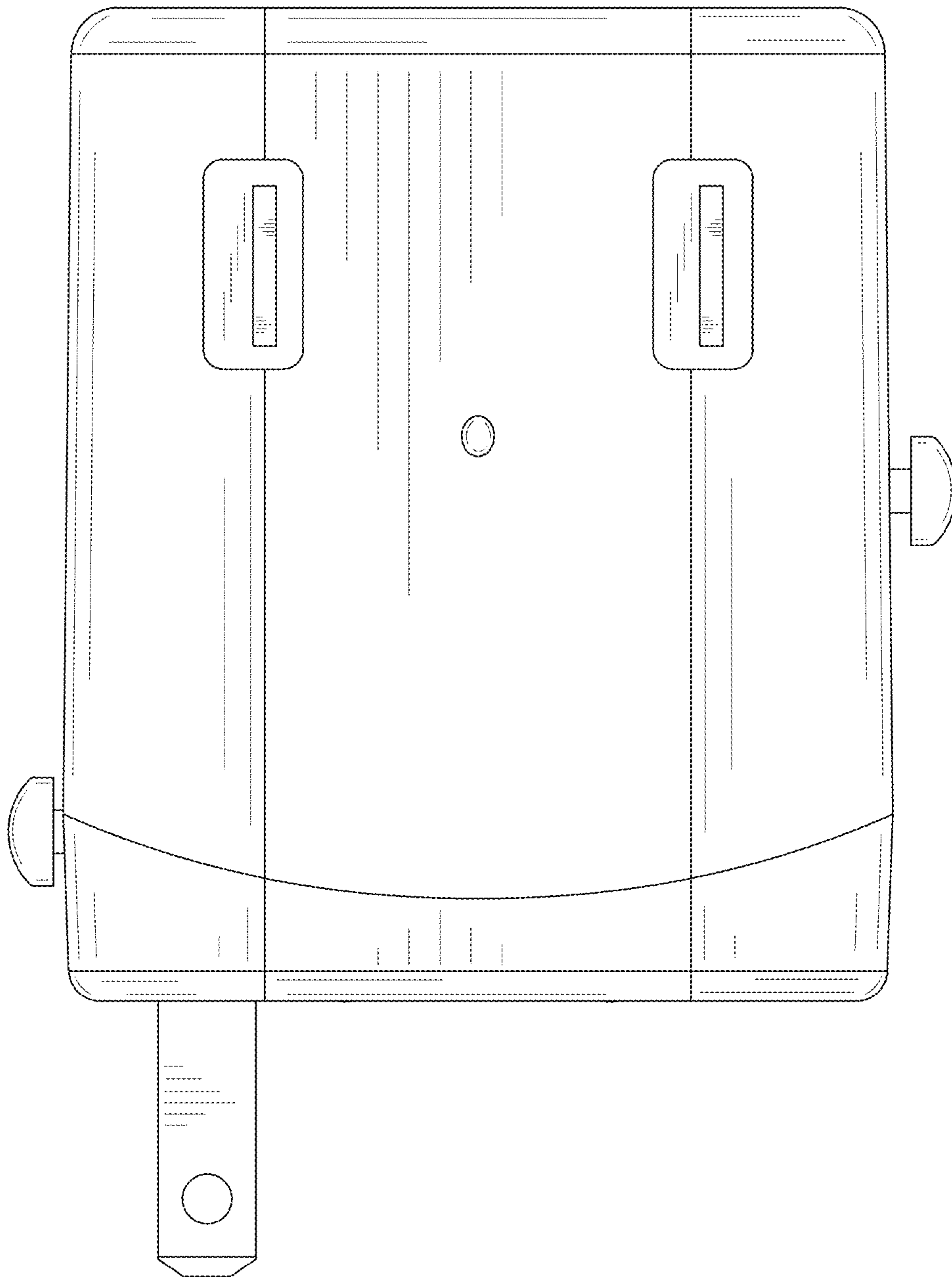


FIG.30

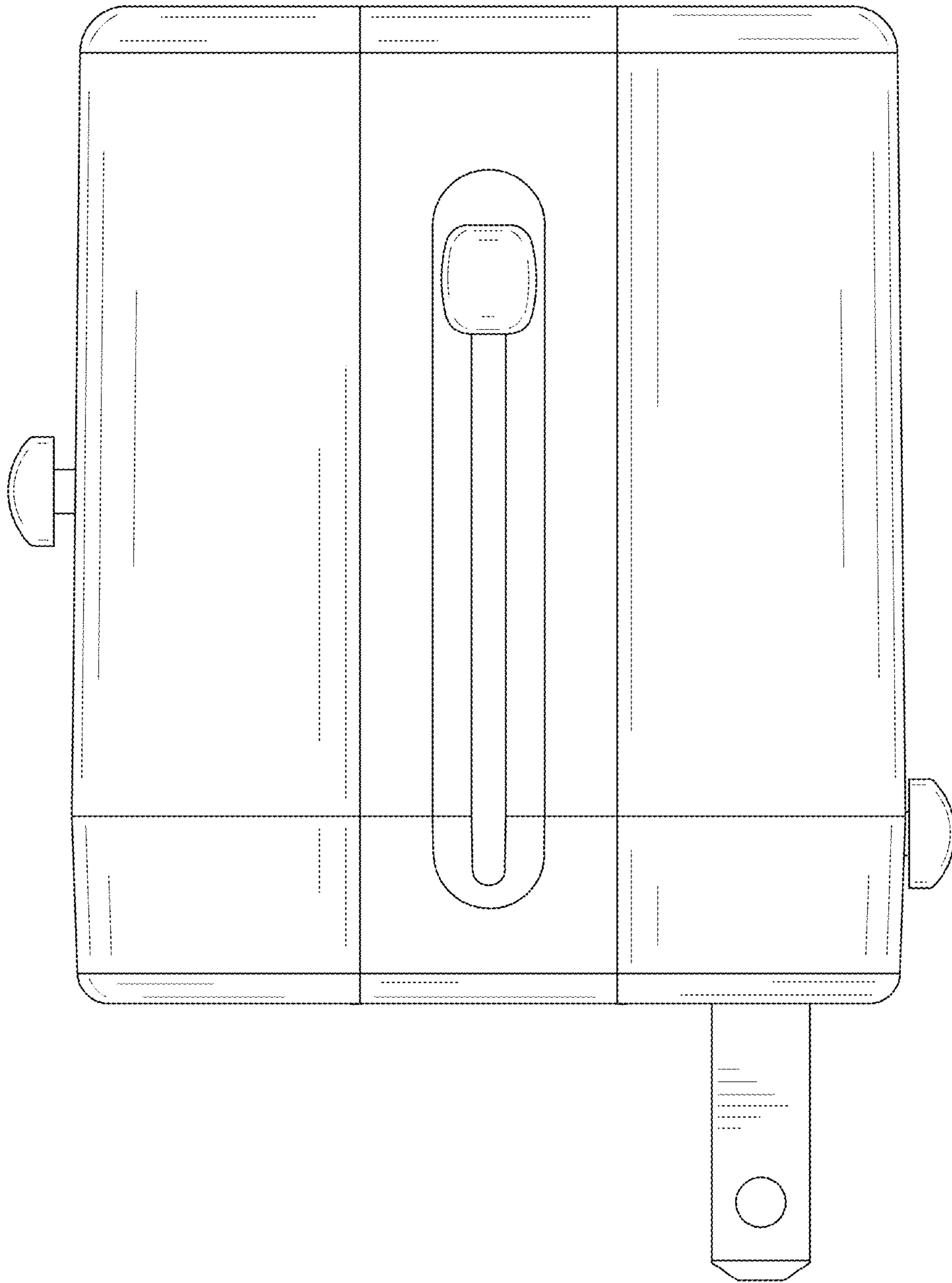


FIG.31

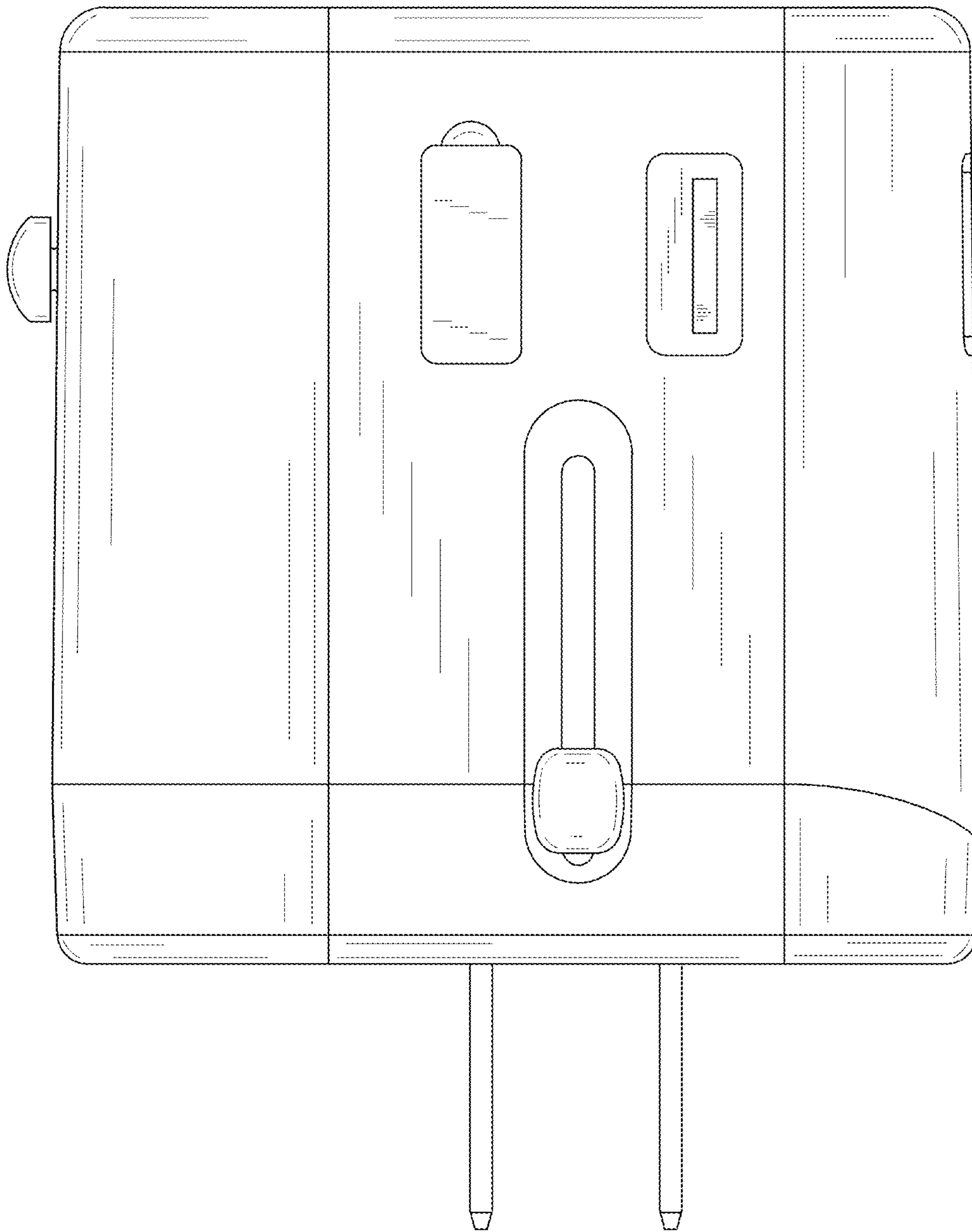


FIG.32



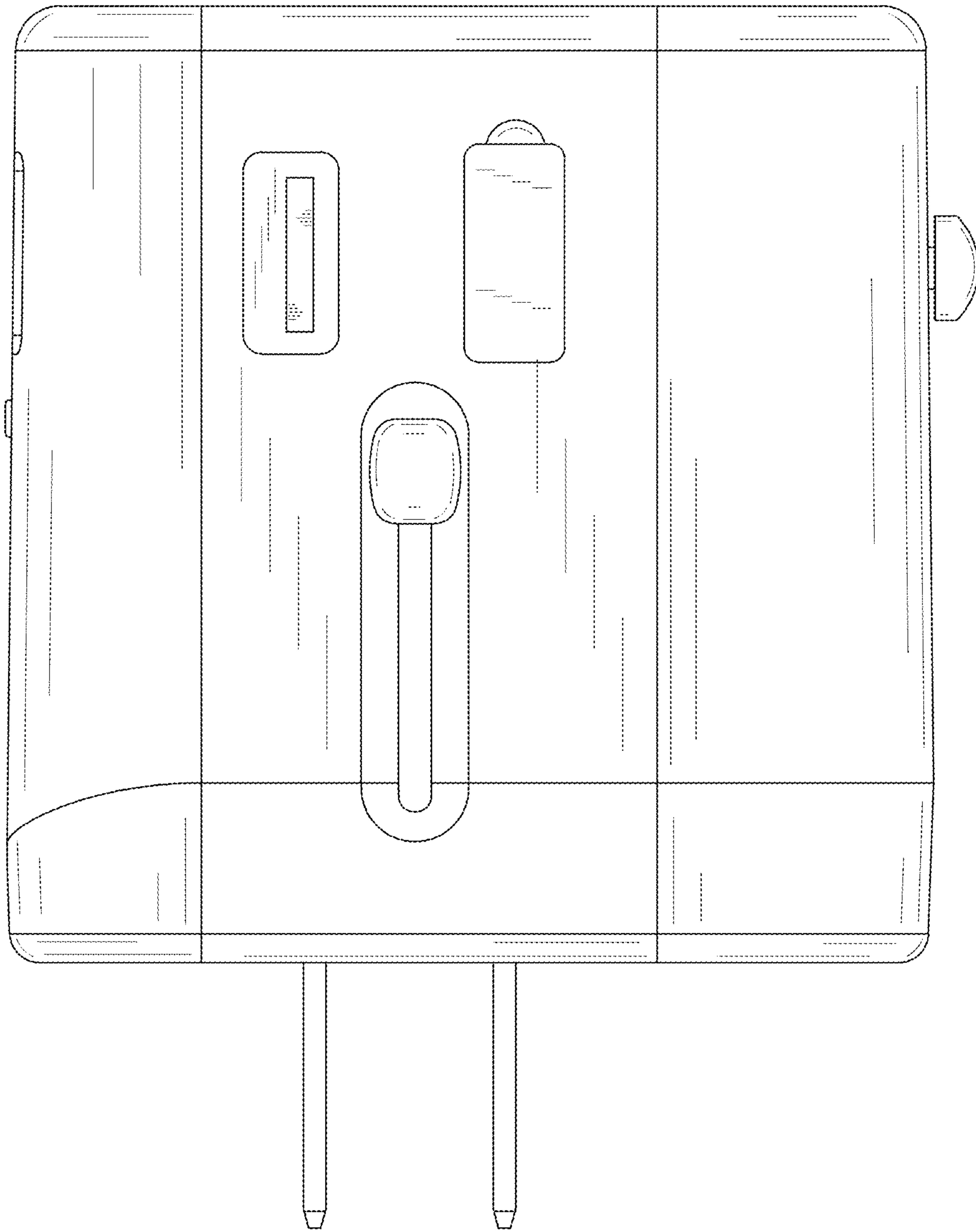


FIG.33

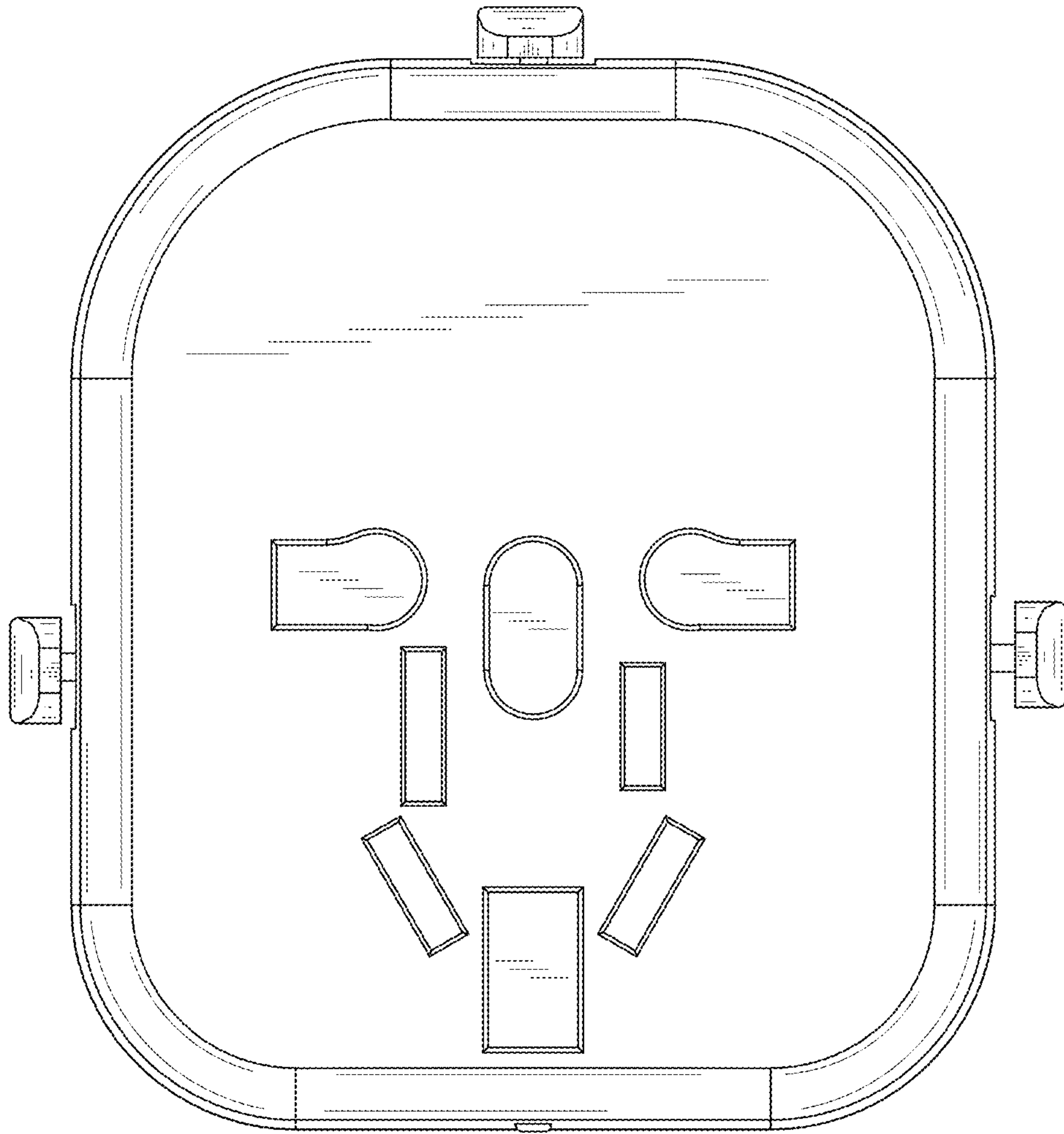


FIG.34

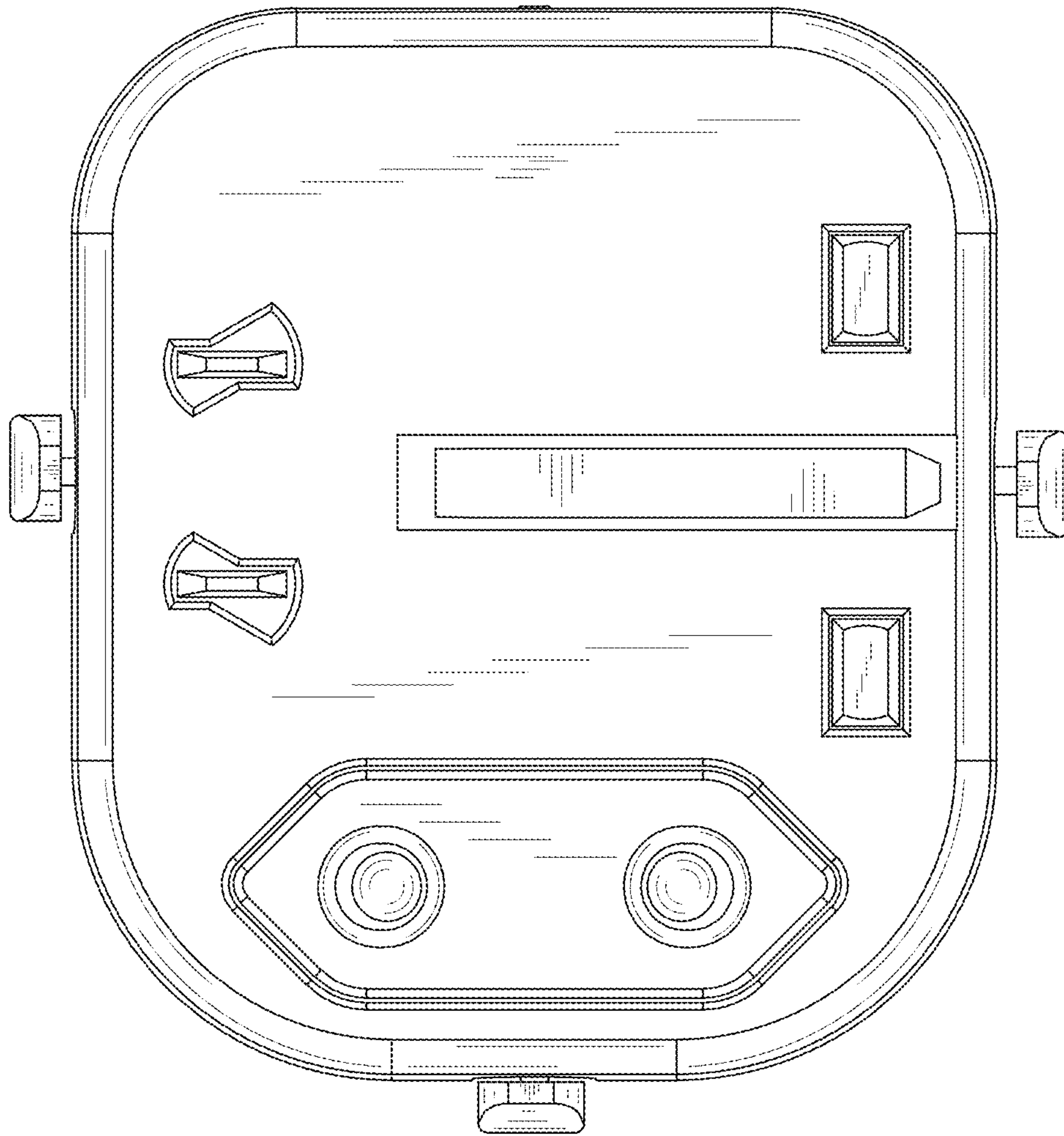


FIG.35

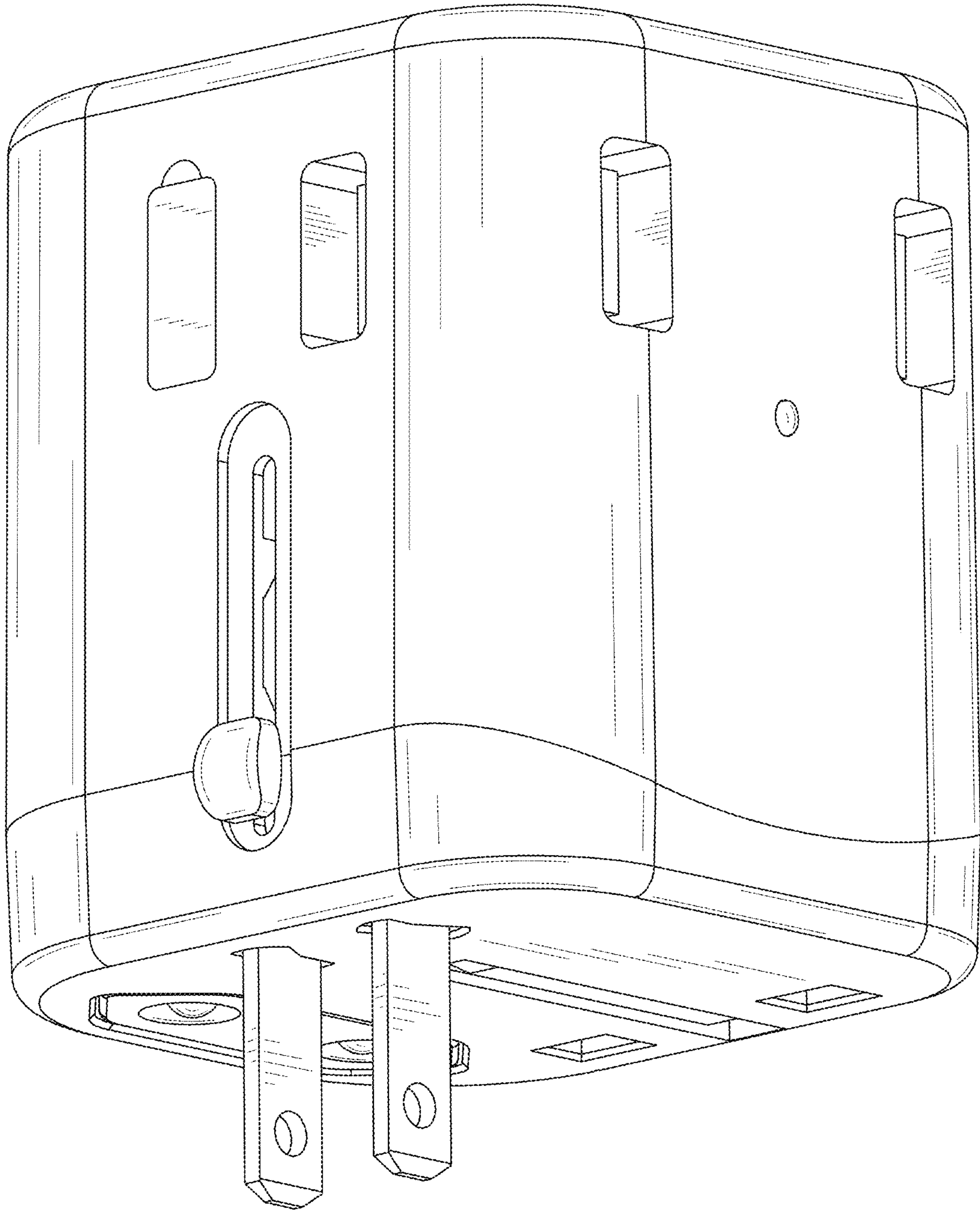


FIG.36