



US00D841653S

(12) **United States Design Patent**
Lin

(10) **Patent No.:** **US D841,653 S**
(45) **Date of Patent:** **** Feb. 26, 2019**

(54) **UNIVERSAL TRAVEL ADAPTER WITH FOUR USB PORTS**

(71) Applicant: **Liangguan Lin**, Guangdong (CN)

(72) Inventor: **Liangguan Lin**, Guangdong (CN)

(**) Term: **15 Years**

(21) Appl. No.: **29/595,612**

(22) Filed: **Mar. 1, 2017**

(30) **Foreign Application Priority Data**

Nov. 29, 2016 (CN) 2016 3 0581093

(51) **LOC (11) Cl.** **14-02**

(52) **U.S. Cl.**
USPC **D14/433**

(58) **Field of Classification Search**
USPC D14/356, 432-434, 453, 454, 511, 203.8,
D14/209.1, 238.1, 240, 125; 439/638,
(Continued)

(56) **References Cited**

U.S. PATENT DOCUMENTS

D449,030 S * 10/2001 Baxter D13/110
D481,997 S * 11/2003 Kihira D13/133
(Continued)

Primary Examiner — Austin Murphy

(57) **CLAIM**

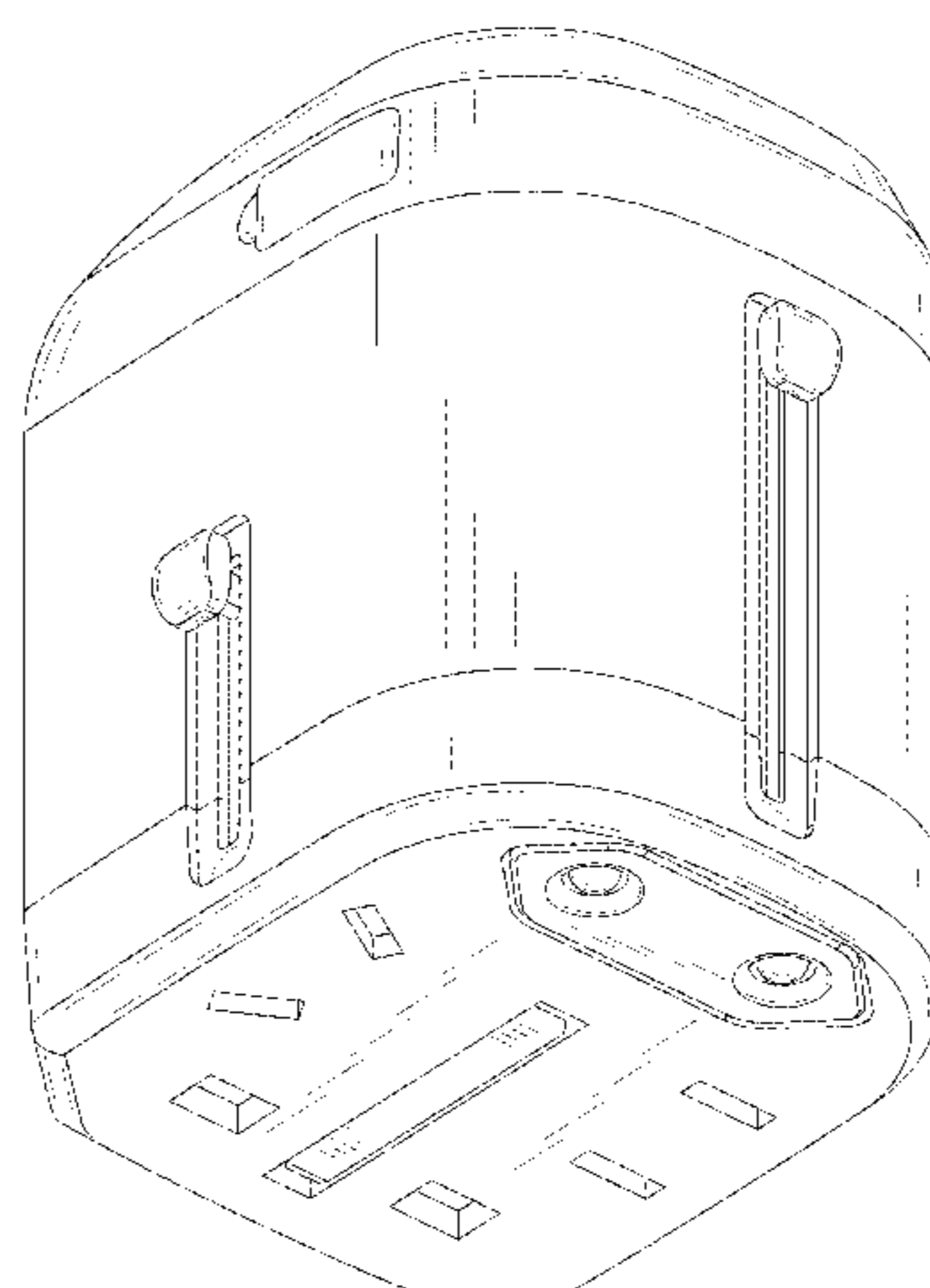
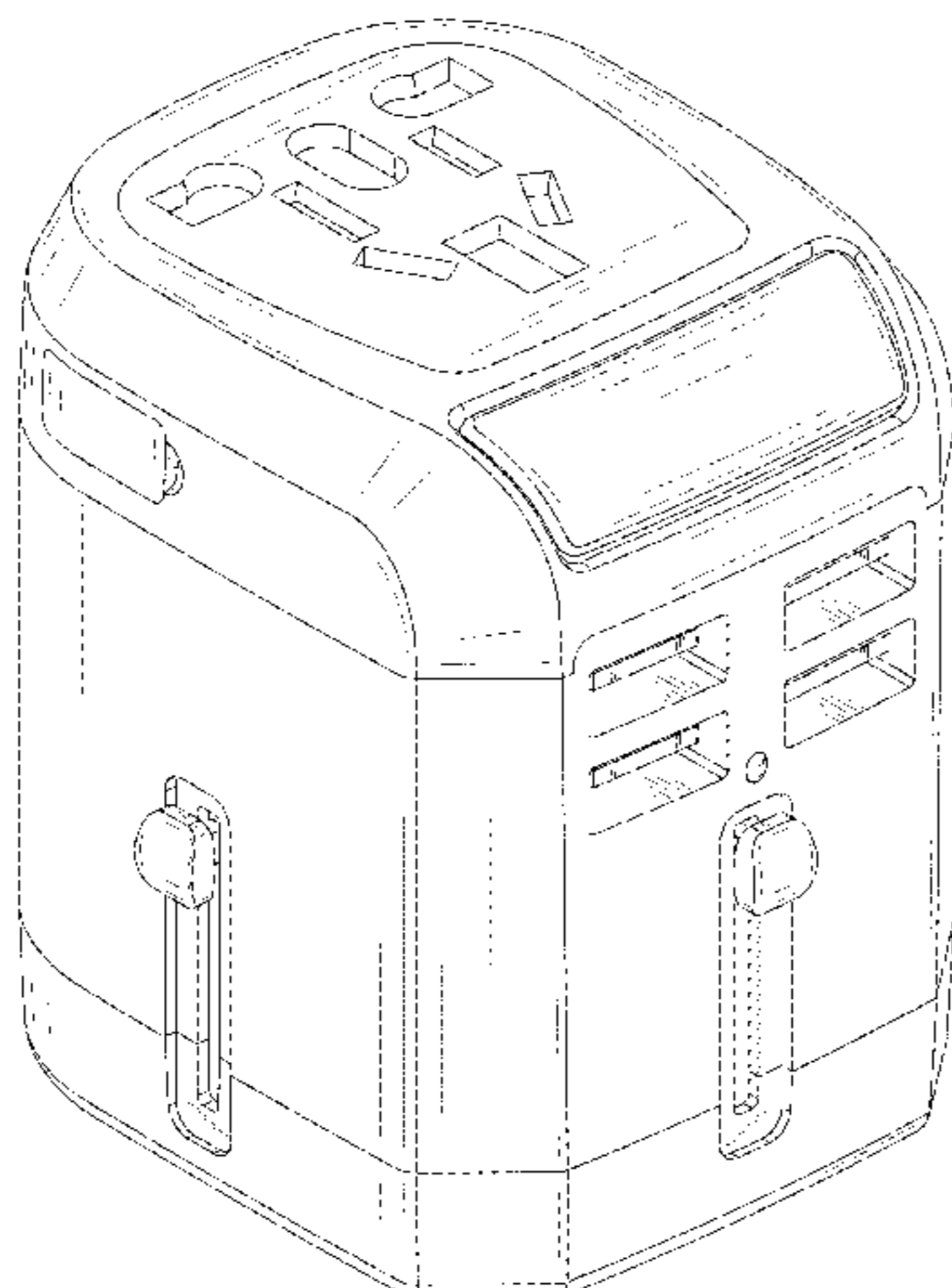
The ornamental design for a universal travel adapter with four USB ports, as shown and described.

DESCRIPTION

FIG. 1 is a front elevational view of a universal travel adapter with four USB ports showing my new design;
FIG. 2 is a rear elevational view of FIG. 1;
FIG. 3 is a left side view of FIG. 1;

FIG. 4 is a right side view of FIG. 1;
FIG. 5 is a top plan view of FIG. 1;
FIG. 6 is a bottom plan view of FIG. 1;
FIG. 7 is a first perspective view of FIG. 1;
FIG. 8 is a second perspective view of FIG. 1;
FIG. 9 is a front elevational view of the universal travel adapter with four USB ports shown in FIG. 1, with the universal travel adapter being in a first state of use;
FIG. 10 is a rear elevational view of FIG. 9;
FIG. 11 is a left side view of FIG. 9;
FIG. 12 is a right side view of FIG. 9;
FIG. 13 is a top plan view of FIG. 9;
FIG. 14 is a bottom plan view of FIG. 9;
FIG. 15 is a perspective view of FIG. 9;
FIG. 16 is a front elevational view of the universal travel adapter with four USB ports shown in FIG. 1, with the universal travel adapter being in a second state of use;
FIG. 17 is a rear elevational view of FIG. 16;
FIG. 18 is a left side view of FIG. 16;
FIG. 19 is a right side view of FIG. 16;
FIG. 20 is a top plan view of FIG. 16;
FIG. 21 is a bottom plan view of FIG. 16;
FIG. 22 is a perspective view of FIG. 16;
FIG. 23 is a front elevational view of the universal travel adapter with four USB ports shown in FIG. 1, with the universal travel adapter being in a third state of use;
FIG. 24 is a rear elevational view of FIG. 23;
FIG. 25 is a left side view of FIG. 23;
FIG. 26 is a right side view of FIG. 23;
FIG. 27 is a top plan view of FIG. 23;
FIG. 28 is a bottom plan view of FIG. 23;
FIG. 29 is a perspective view of FIG. 23;
FIG. 30 is a front elevational view of the universal travel adapter with four USB ports shown in FIG. 1, with the universal travel adapter being in a fourth state of use;
FIG. 31 is a rear elevational view of FIG. 30;
FIG. 32 is a left side view of FIG. 30;
FIG. 33 is a right side view of FIG. 30;
FIG. 34 is a top plan view of FIG. 30;
FIG. 35 is a bottom plan view of FIG. 30; and,
FIG. 36 is a perspective view of FIG. 30.

1 Claim, 36 Drawing Sheets



(58) **Field of Classification Search**

USPC 439/928, 105, 502; 710/303, 304;
361/679.41, 679.55, 679.56; D13/110,
D13/133, 146

CPC ... H04L 12/2832; H04L 12/2838; G06F 3/00;
G06F 5/00; G06F 13/14

See application file for complete search history.

(56) **References Cited**

U.S. PATENT DOCUMENTS

D624,548 S * 9/2010 Yamamoto D14/433
D627,784 S * 11/2010 Yamamoto D14/433
D643,841 S * 8/2011 Lyford D13/133
D753,661 S * 4/2016 Daniel D14/433
D755,185 S * 5/2016 Khanampornpan D14/433
D778,913 S * 2/2017 Huang D13/110
D778,914 S * 2/2017 Huang D13/110
D782,990 S * 4/2017 Sonneman D13/184
D788,111 S * 5/2017 Ji D14/433
D789,372 S * 6/2017 Trishaun D14/433
9,882,313 B2 * 1/2018 Steinbuchel, IV H01R 31/06
D818,469 S * 5/2018 Bragg D14/433
D832,848 S * 11/2018 Chan D14/433
2003/0181082 A1 * 9/2003 Wu H01R 31/065
439/131
2014/0051292 A1 * 2/2014 Weaver, Jr. H01R 13/6675
439/620.21

* cited by examiner

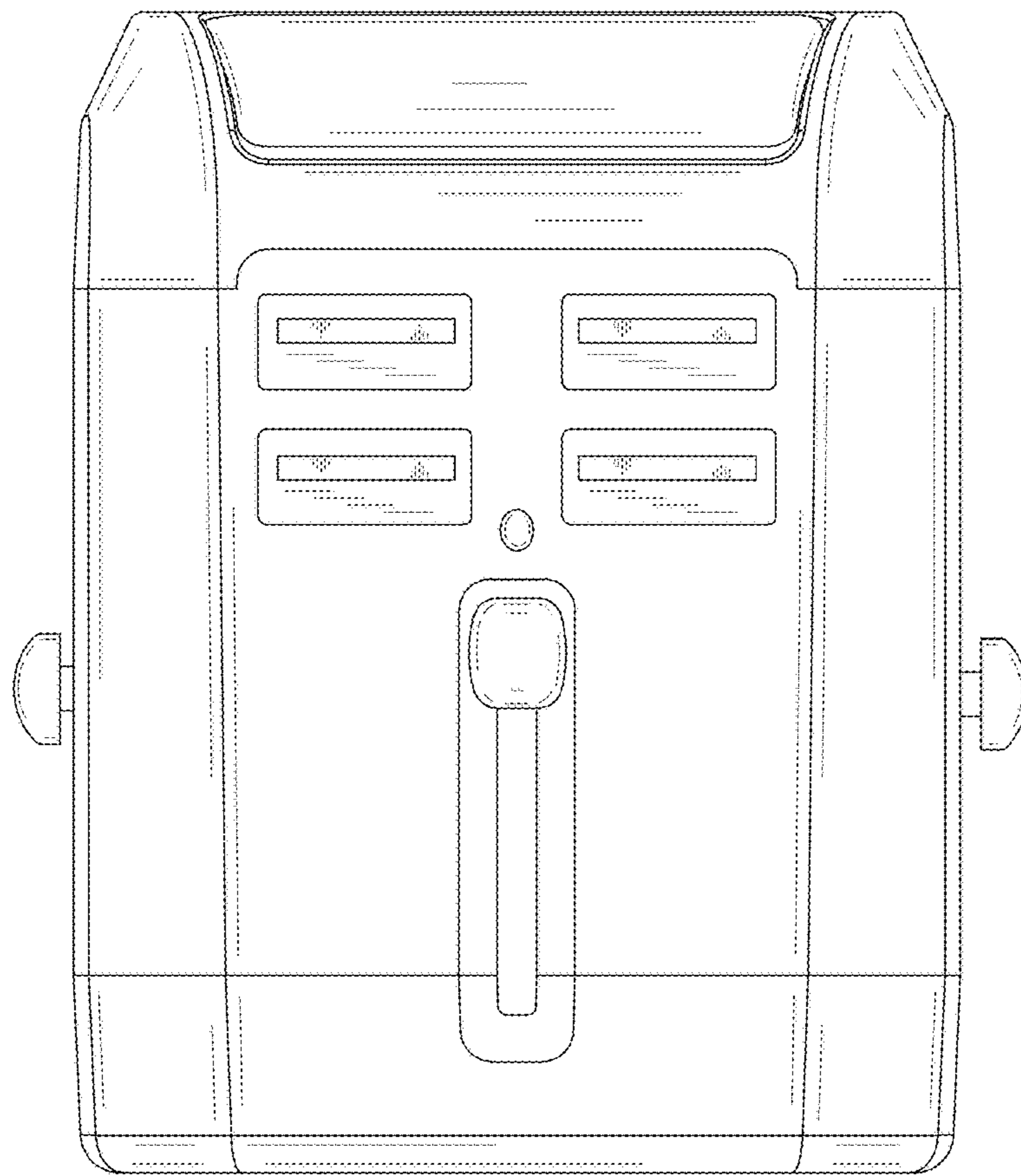


FIG.1

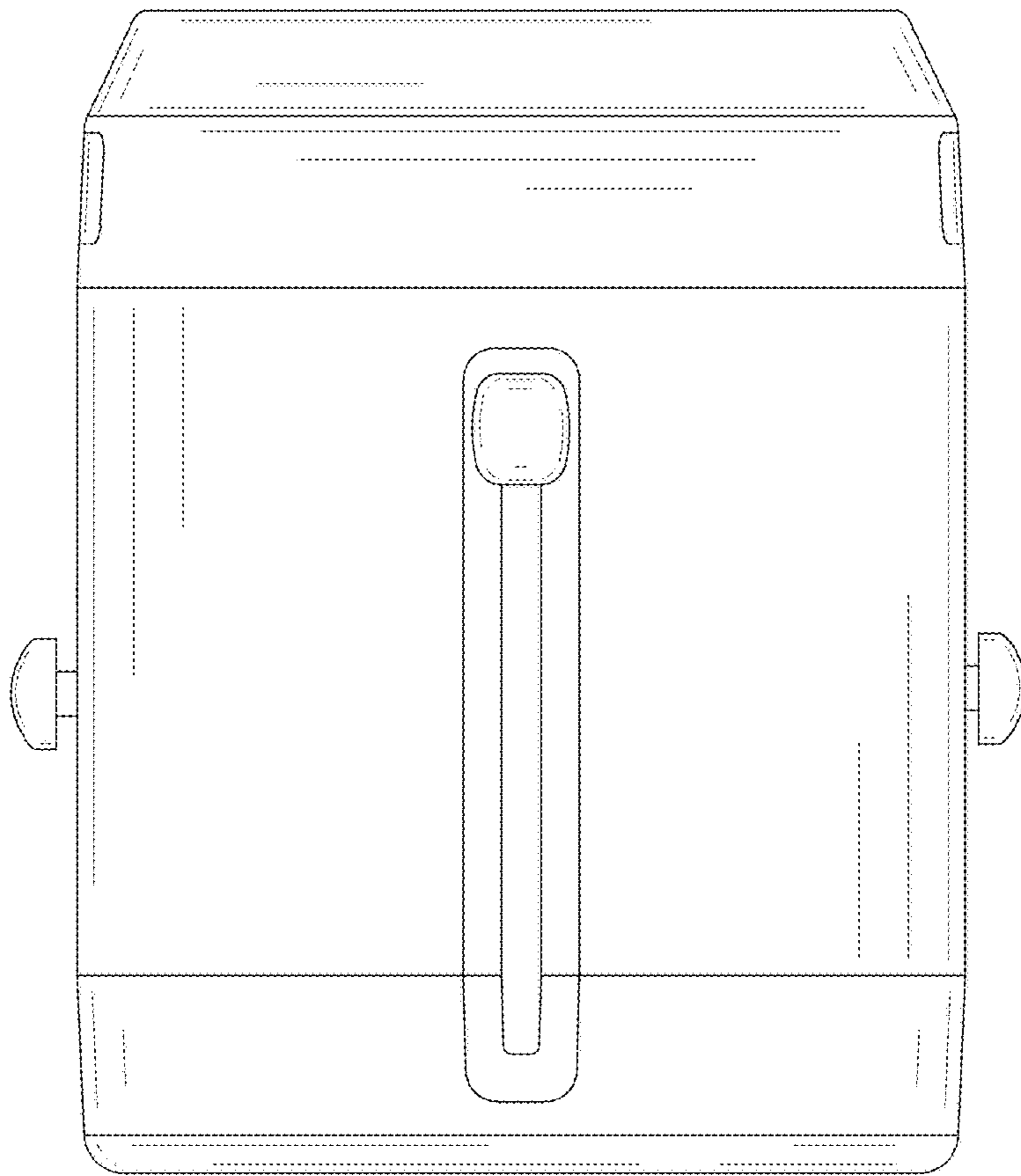


FIG.2

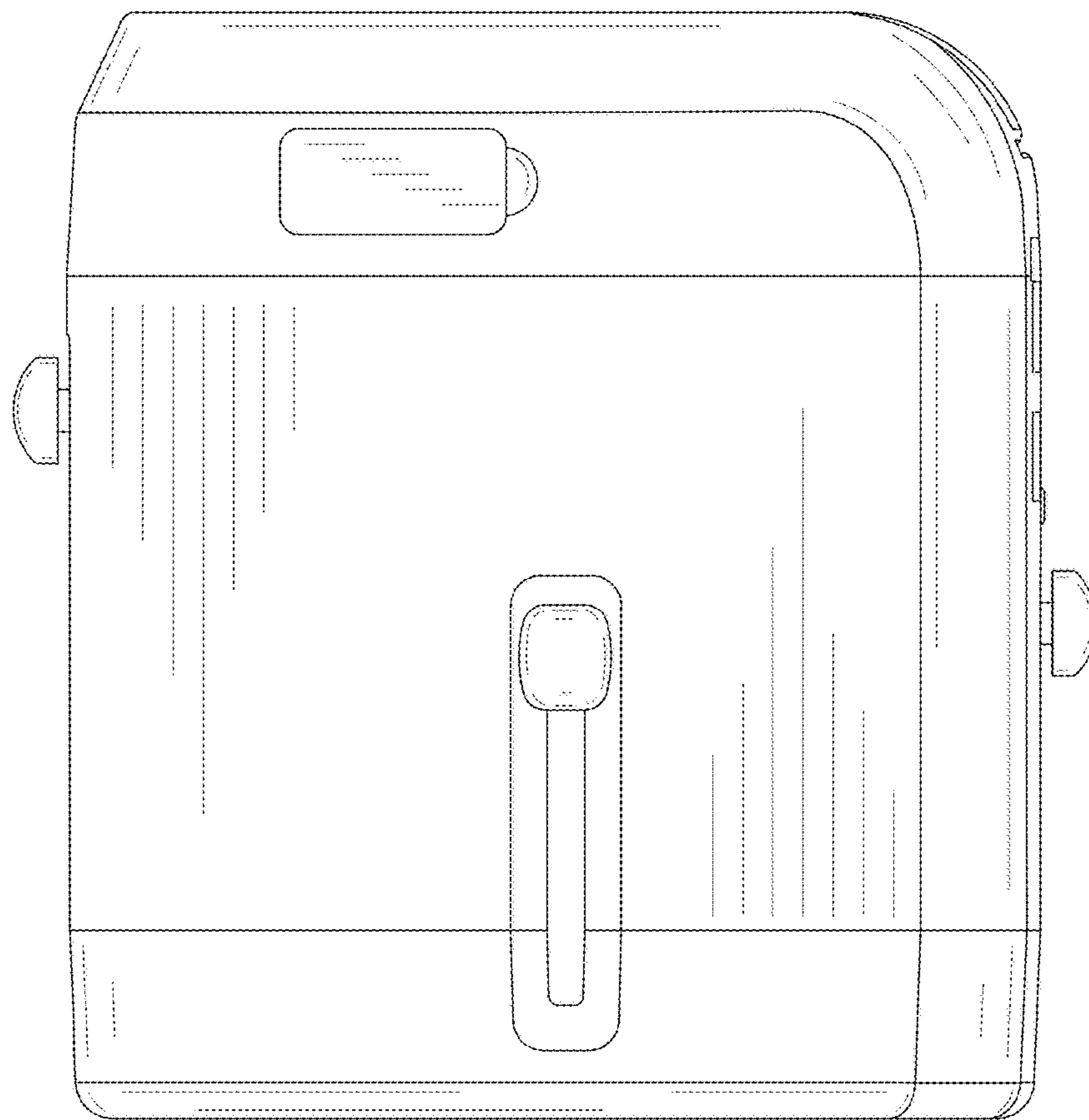


FIG.3

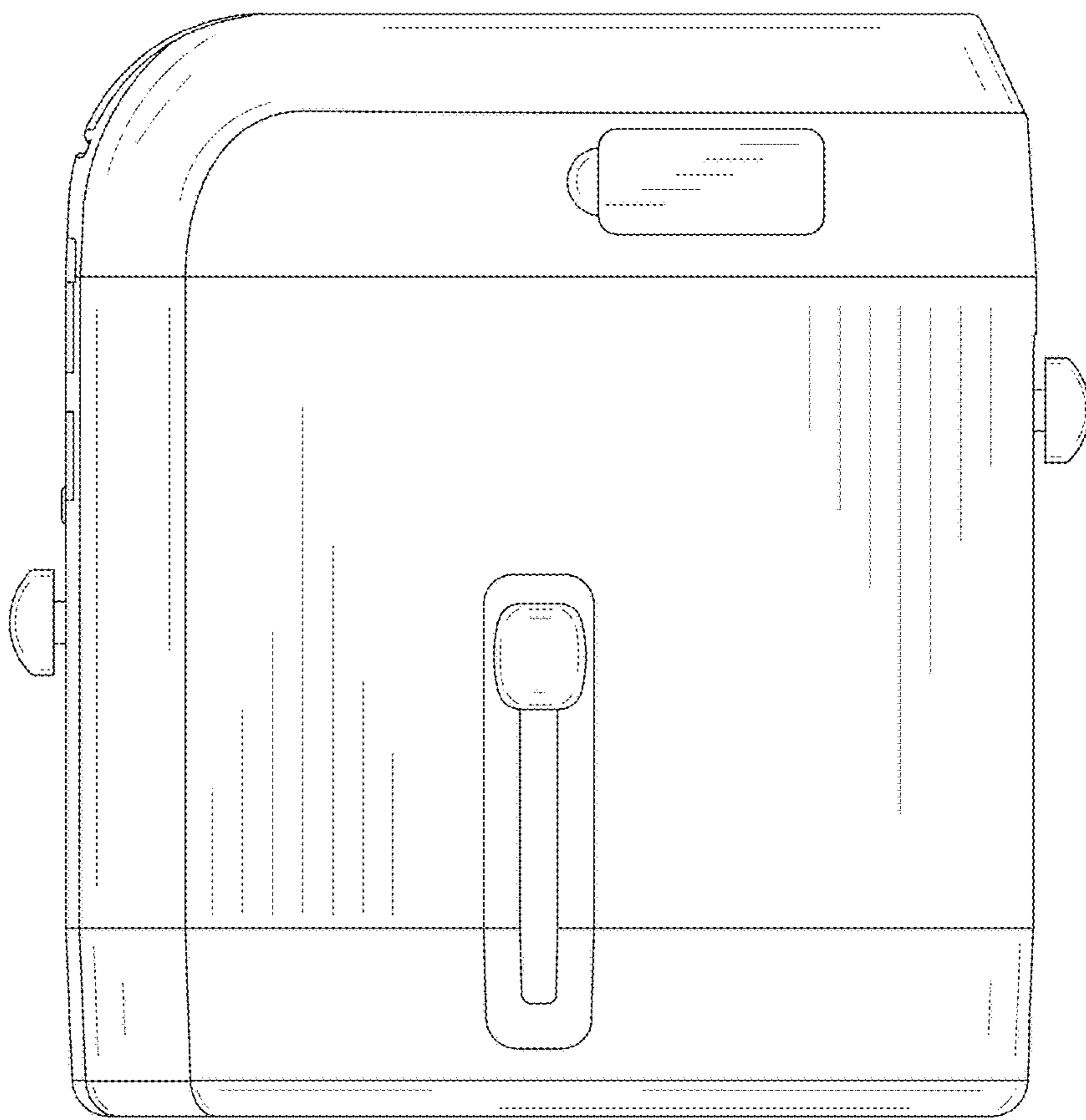


FIG.4

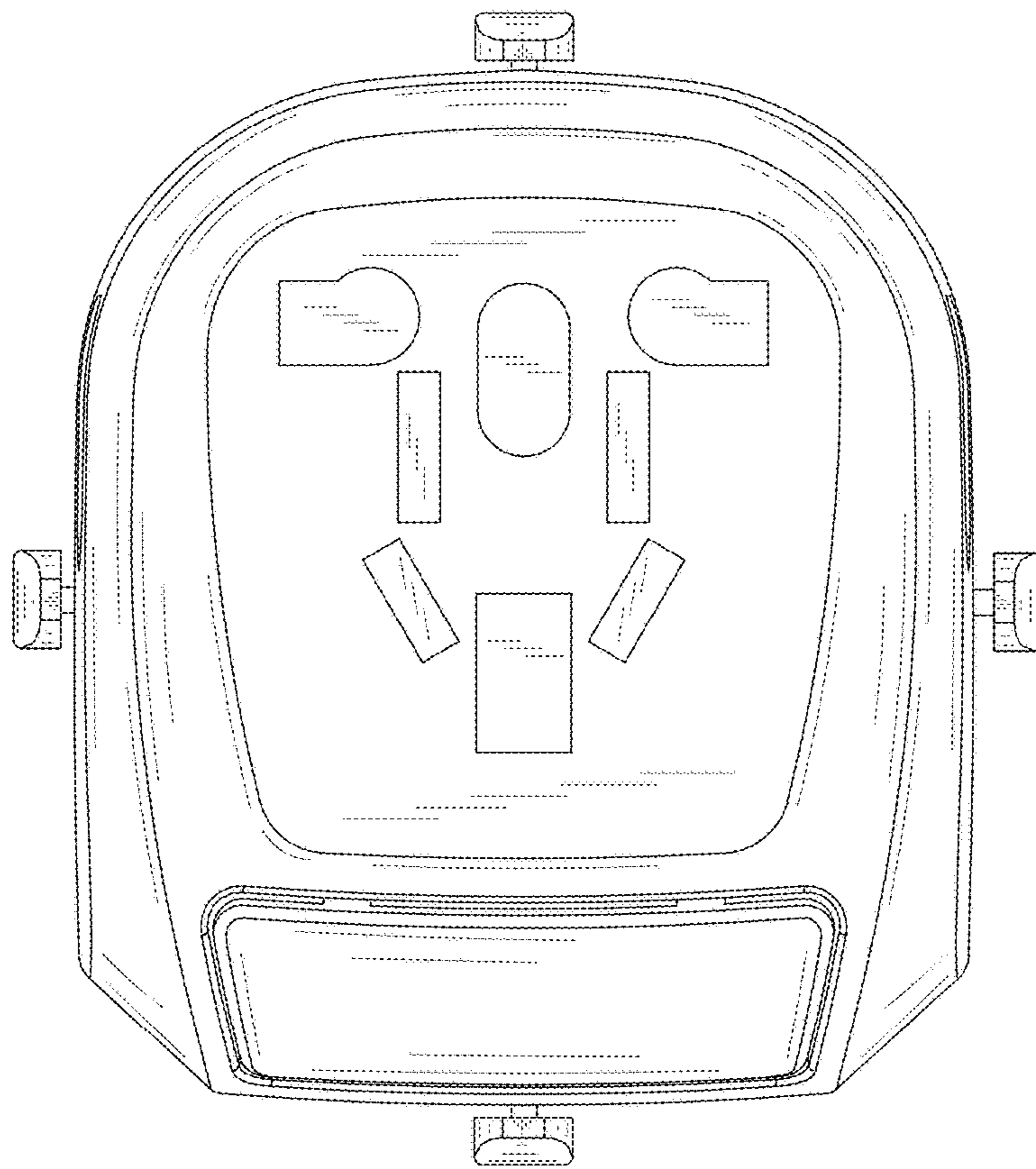


FIG.5

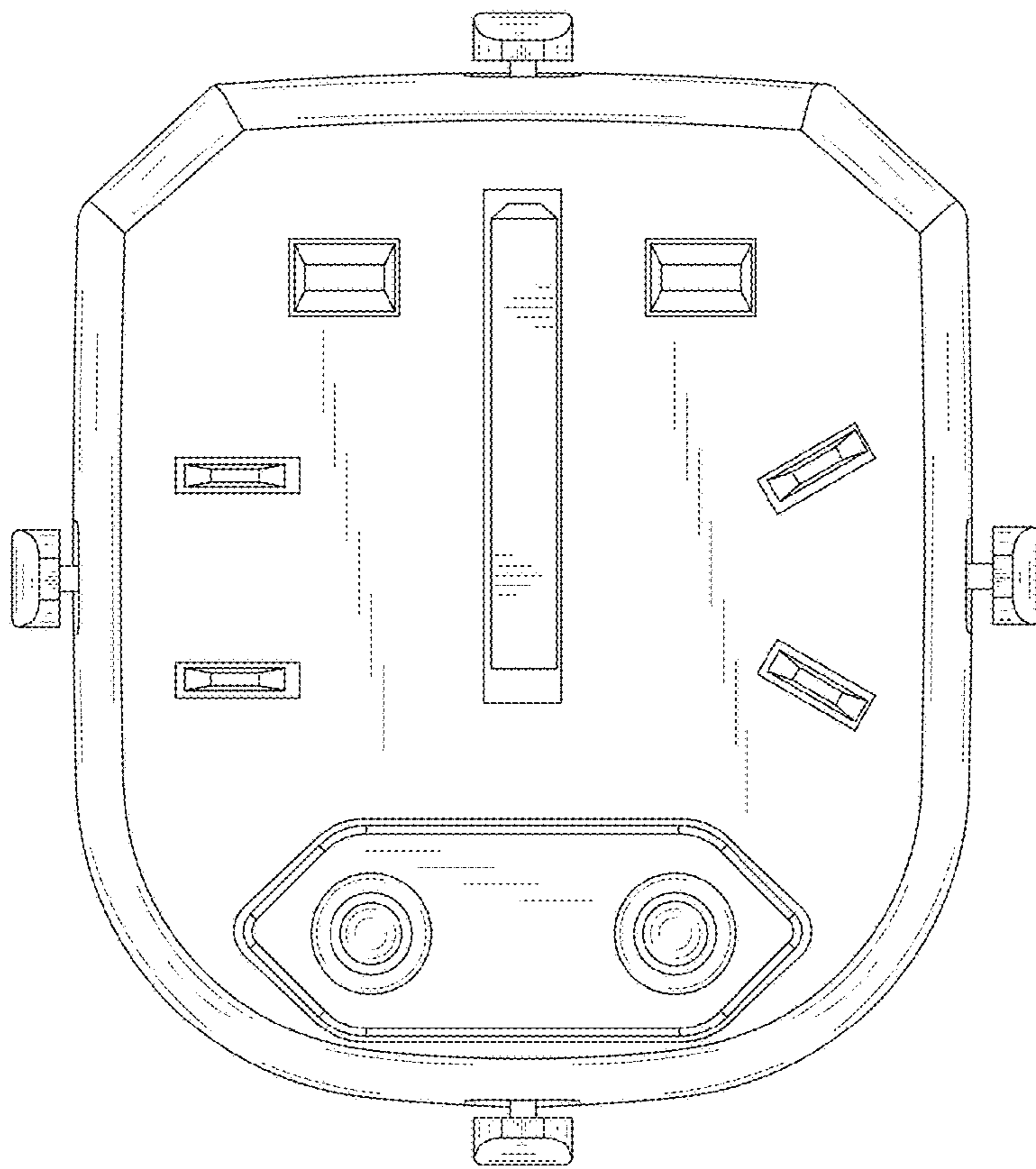


FIG.6

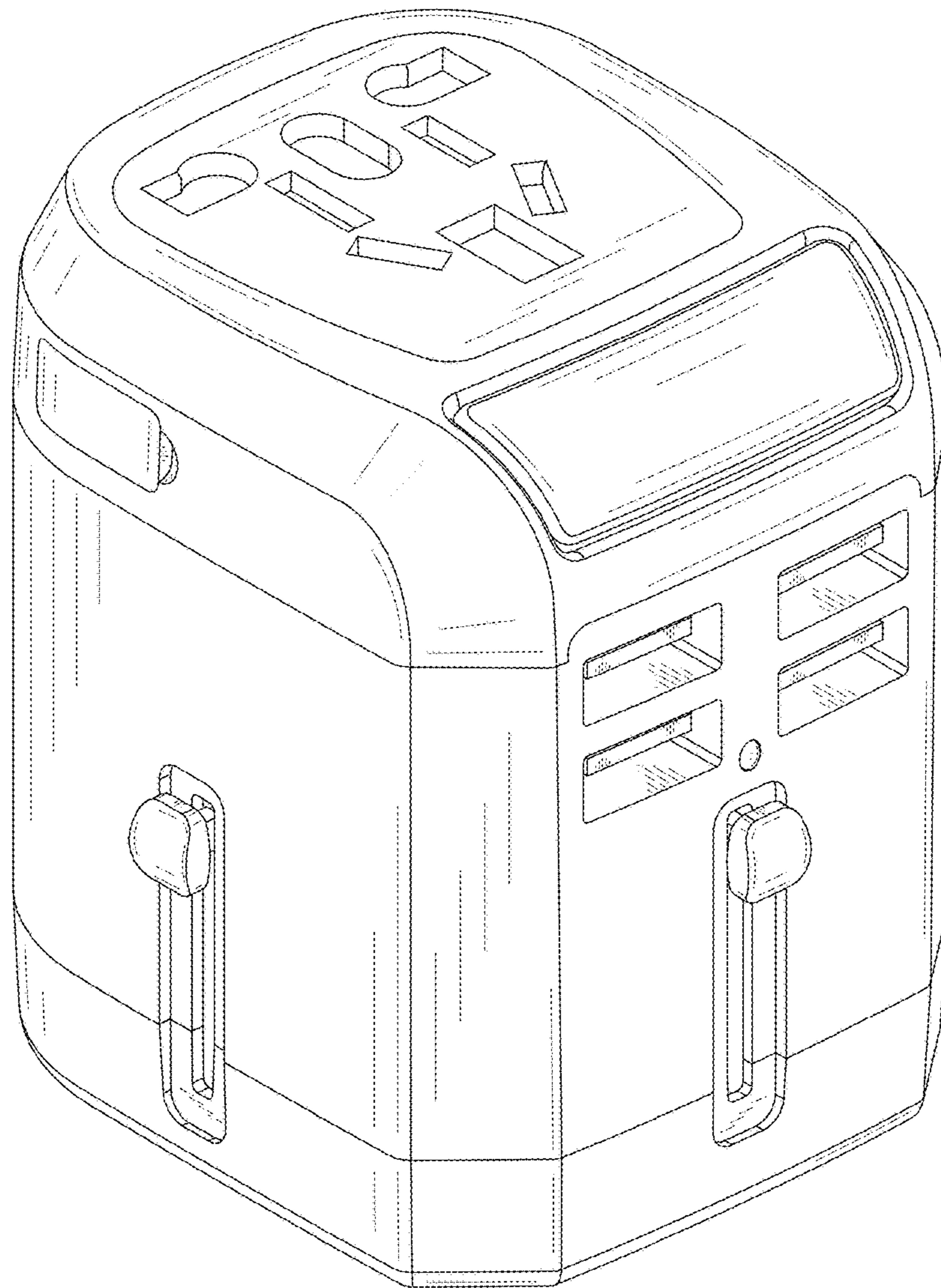


FIG.7

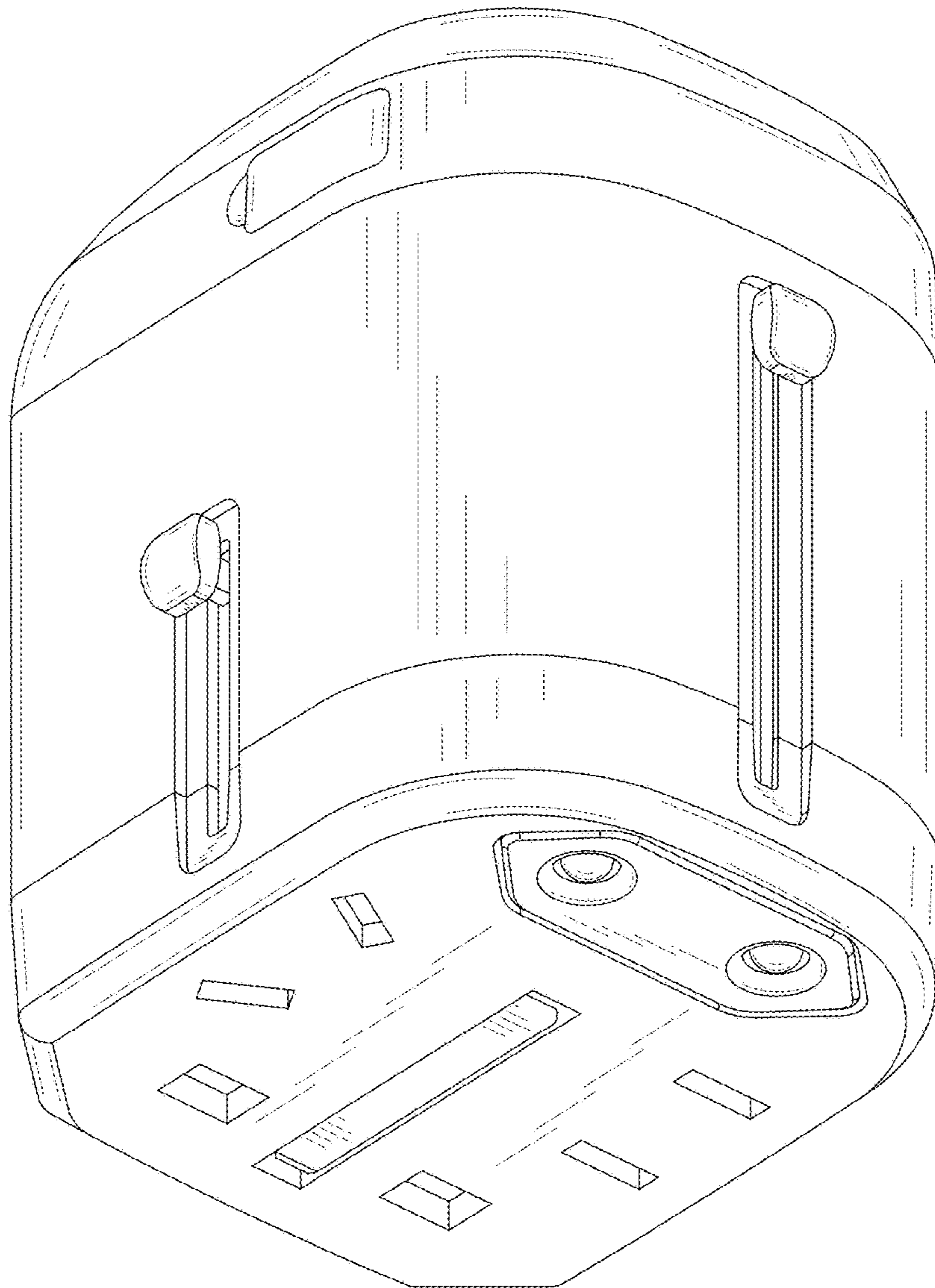


FIG.8

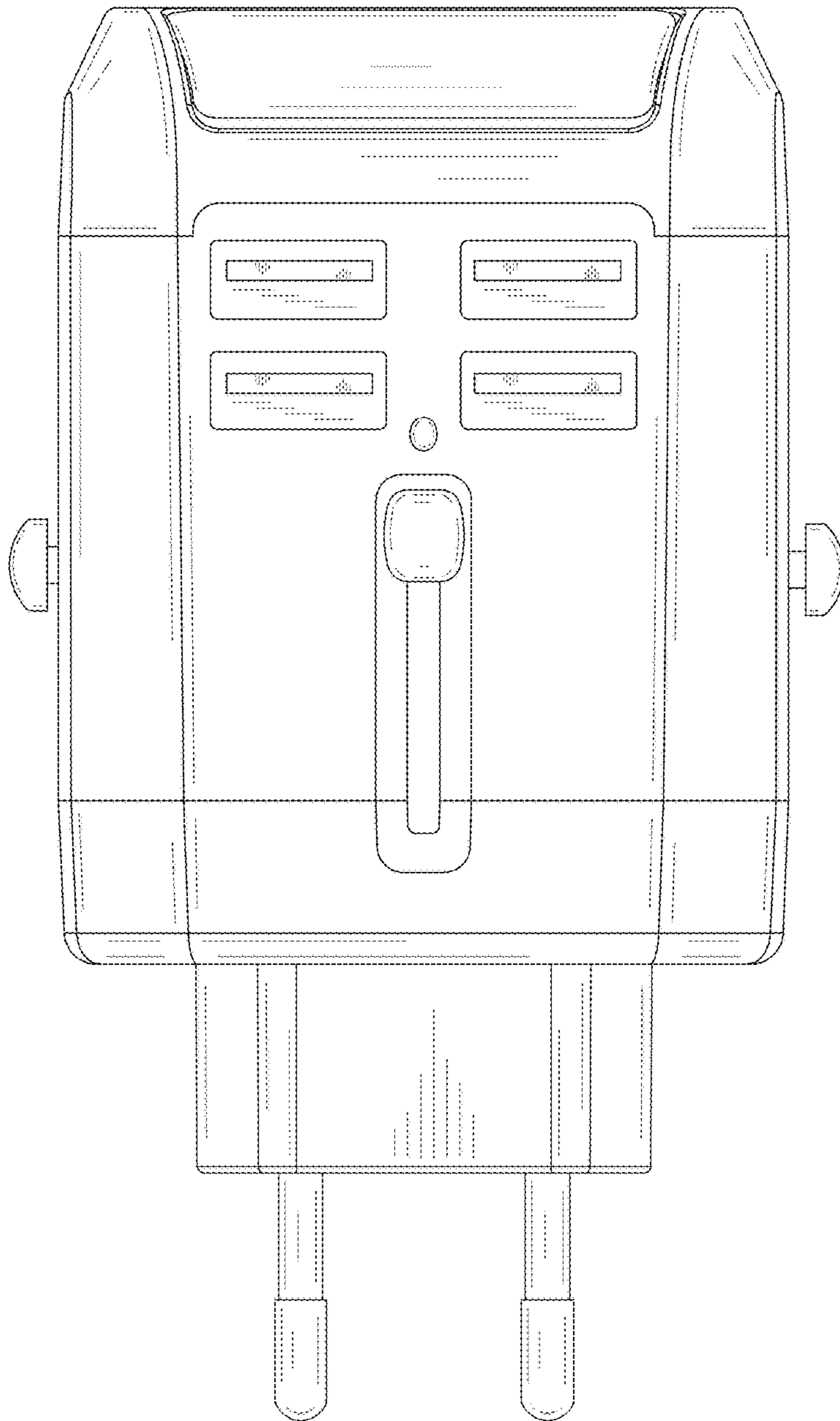


FIG.9

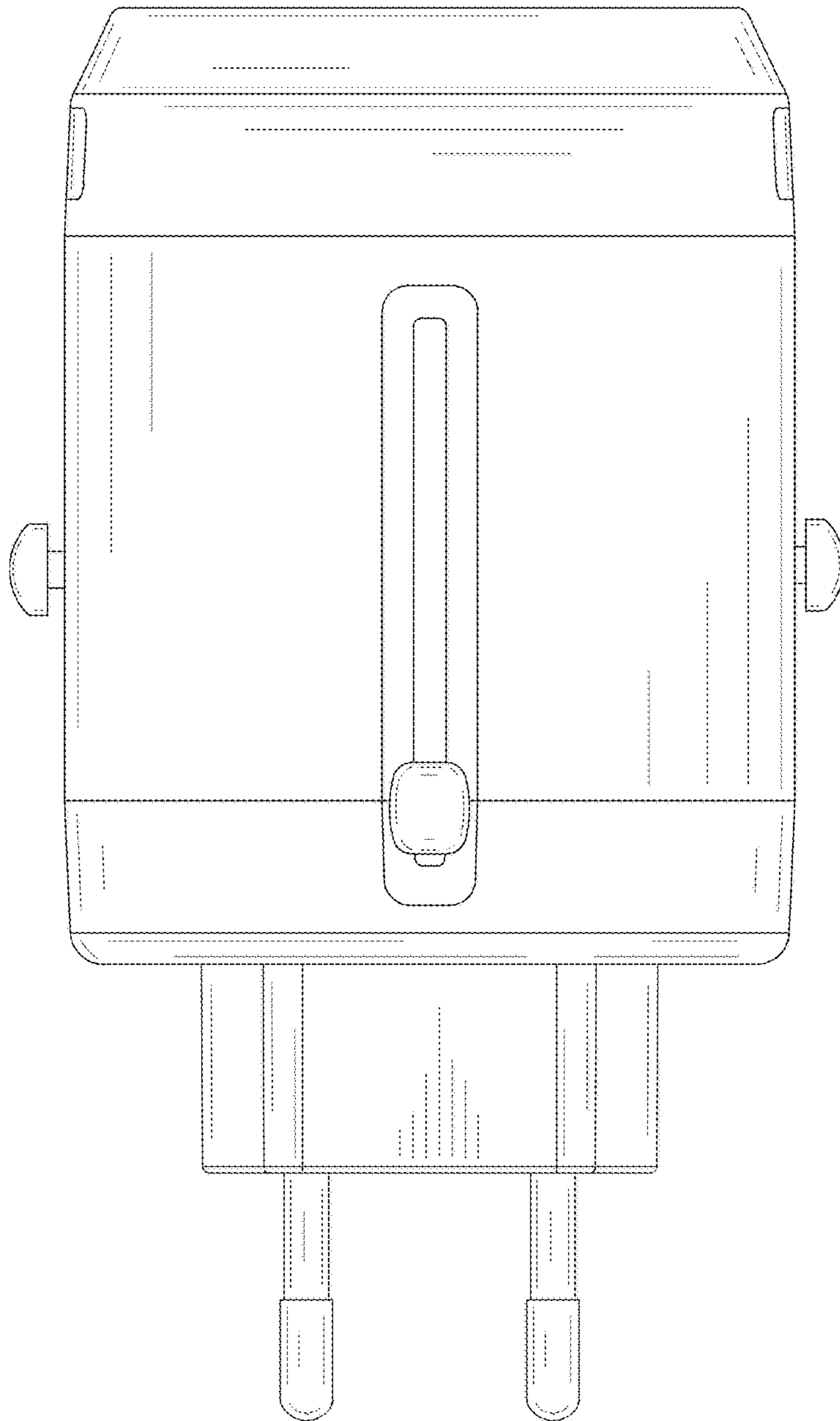


FIG.10

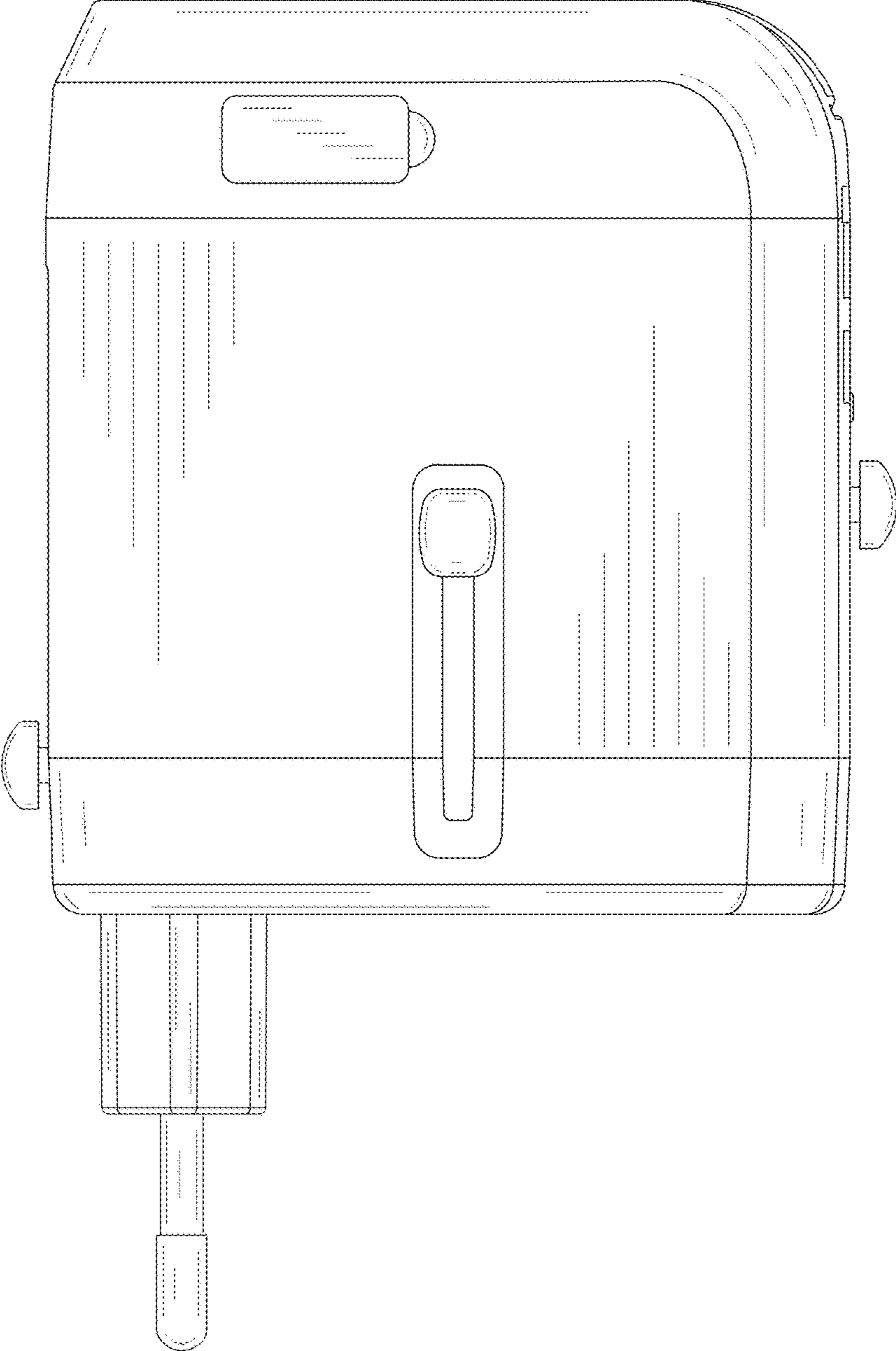


FIG.11

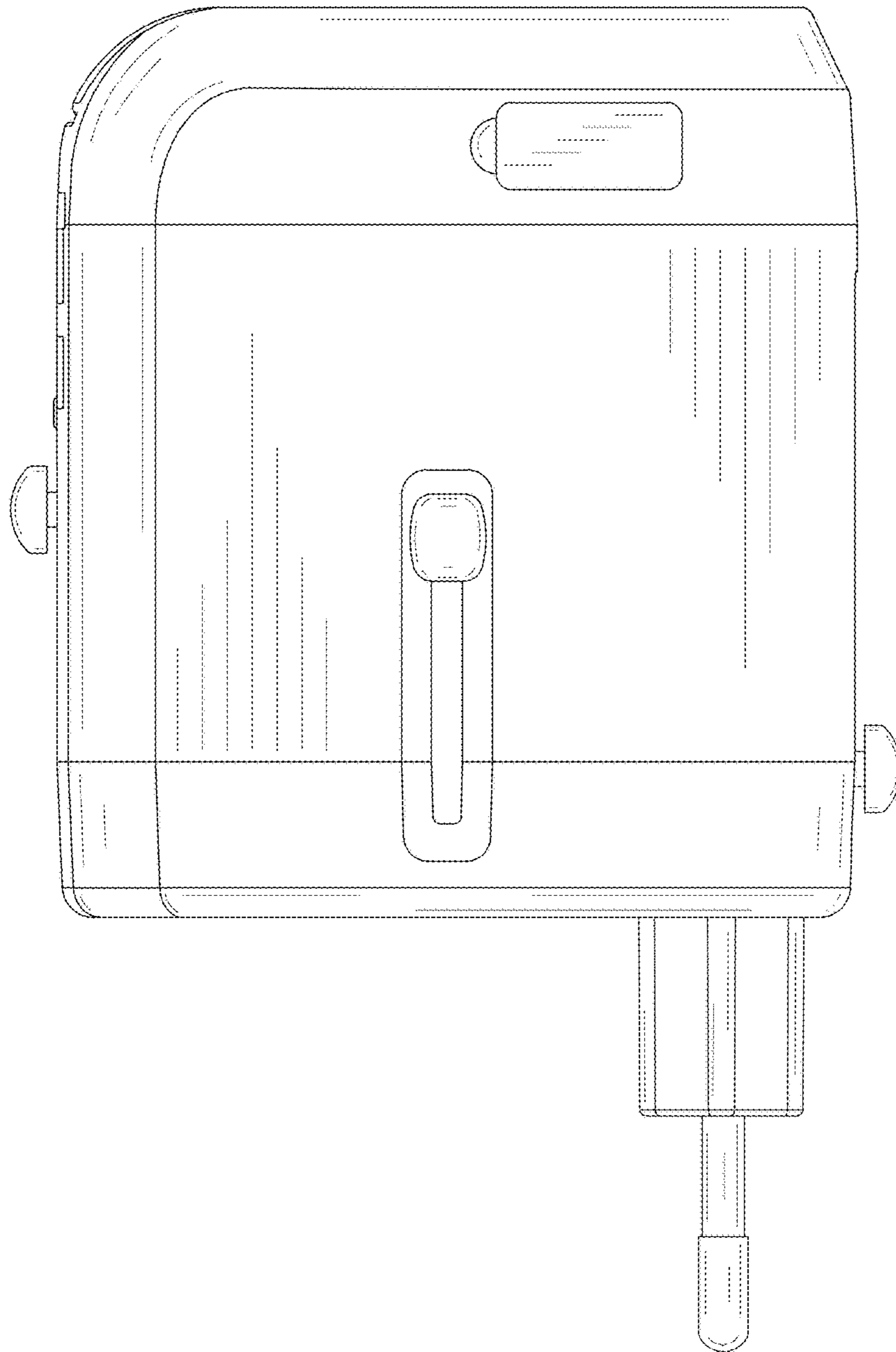


FIG.12

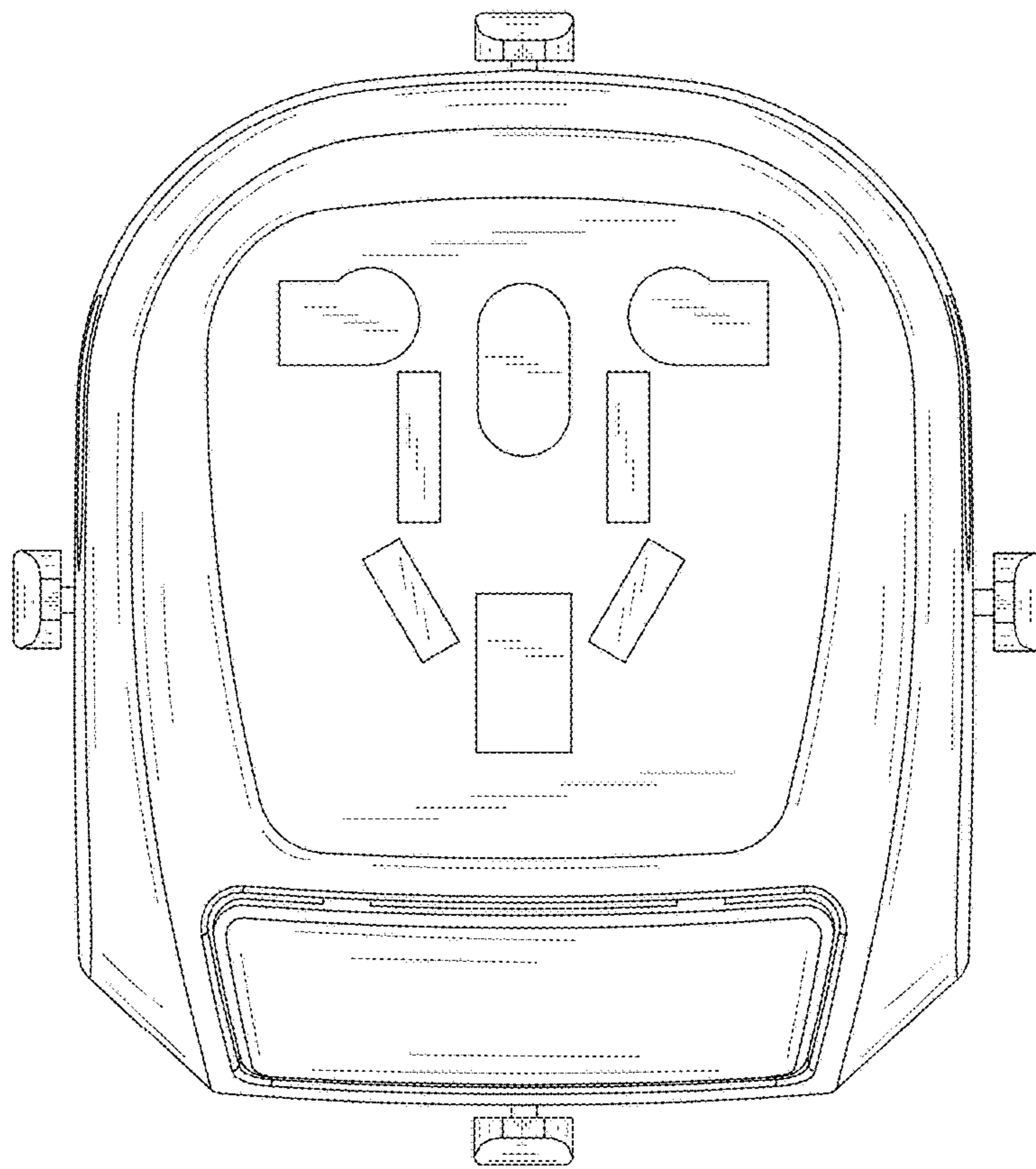


FIG. 13

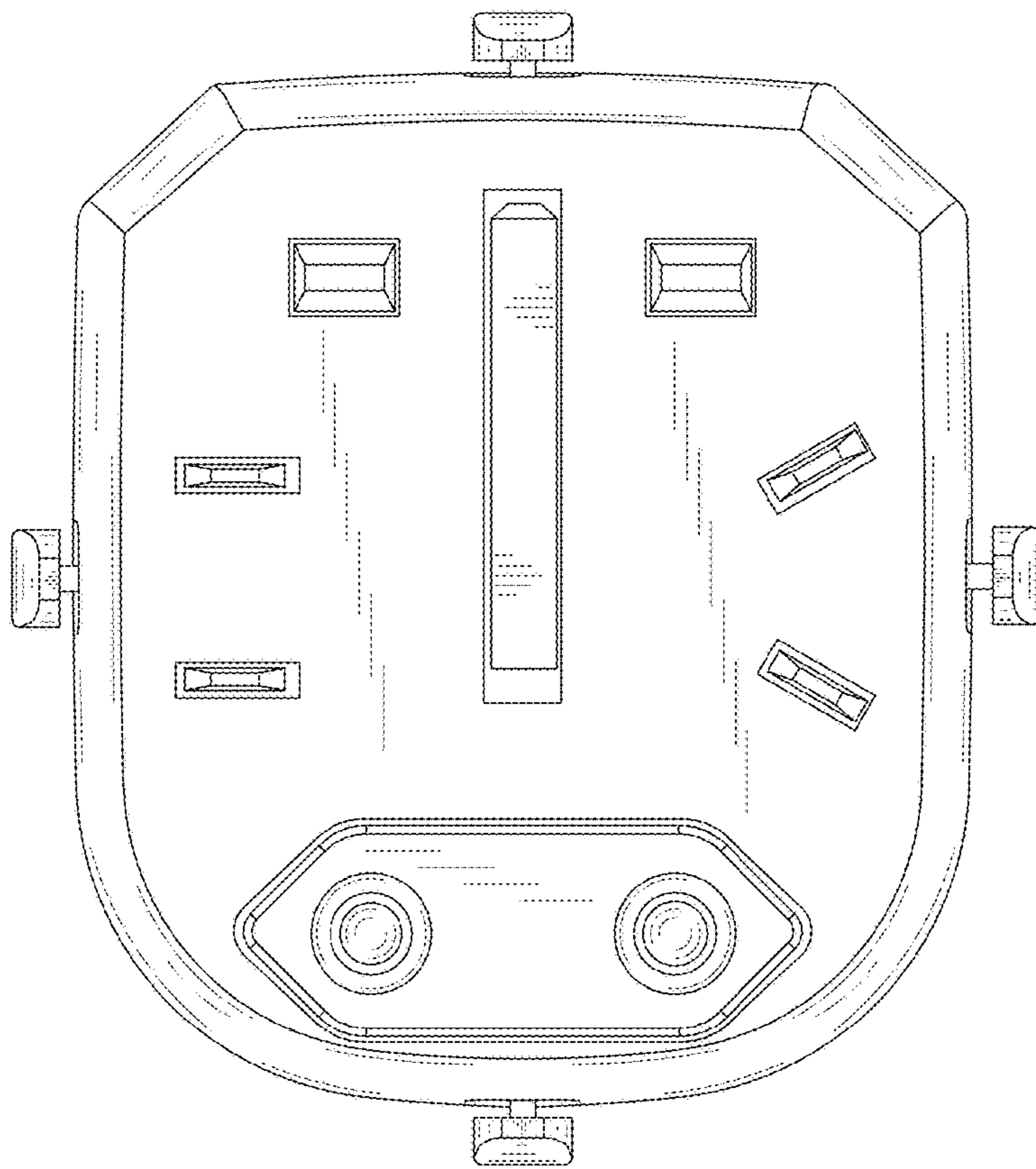


FIG. 14

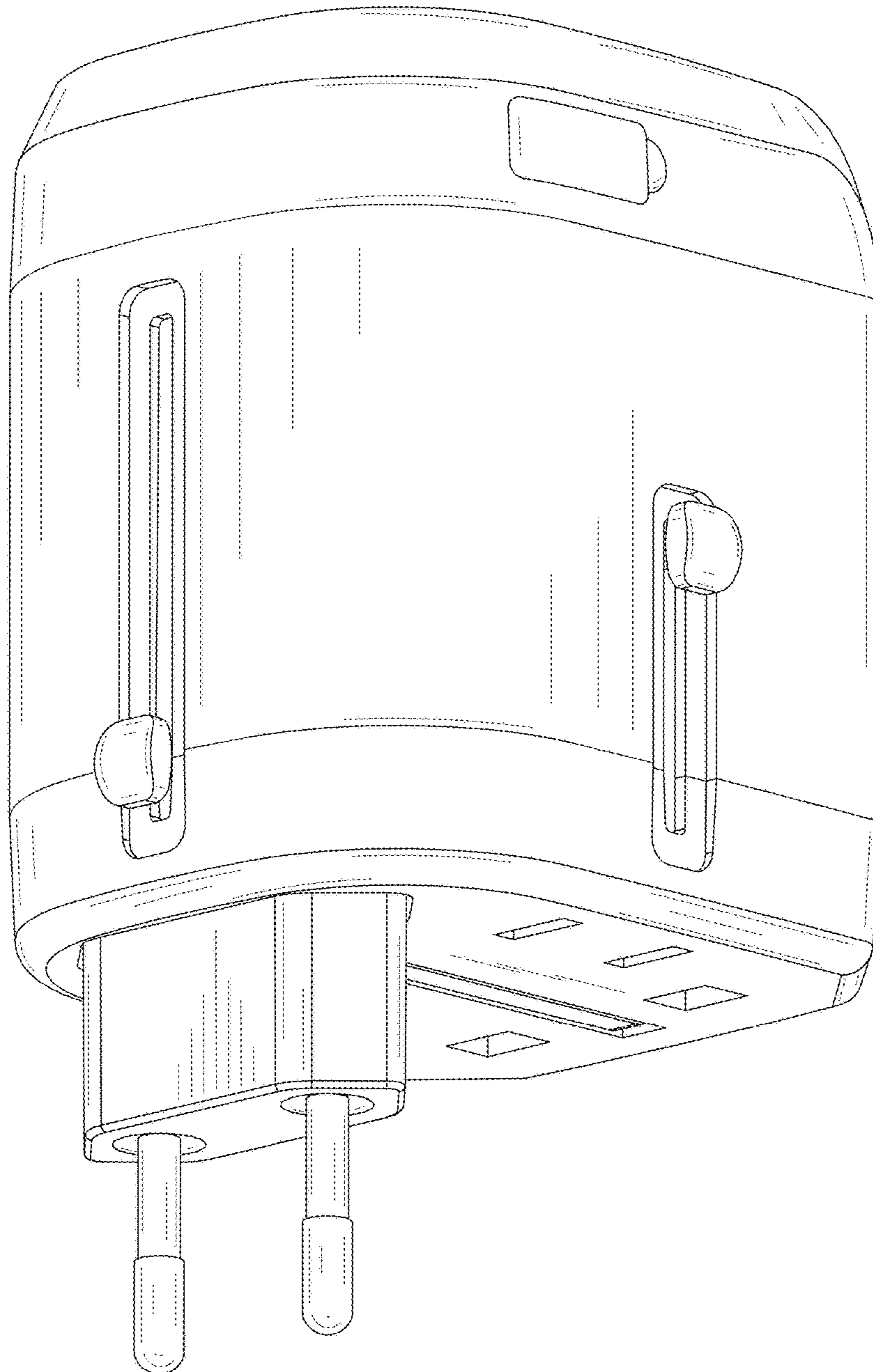


FIG.15

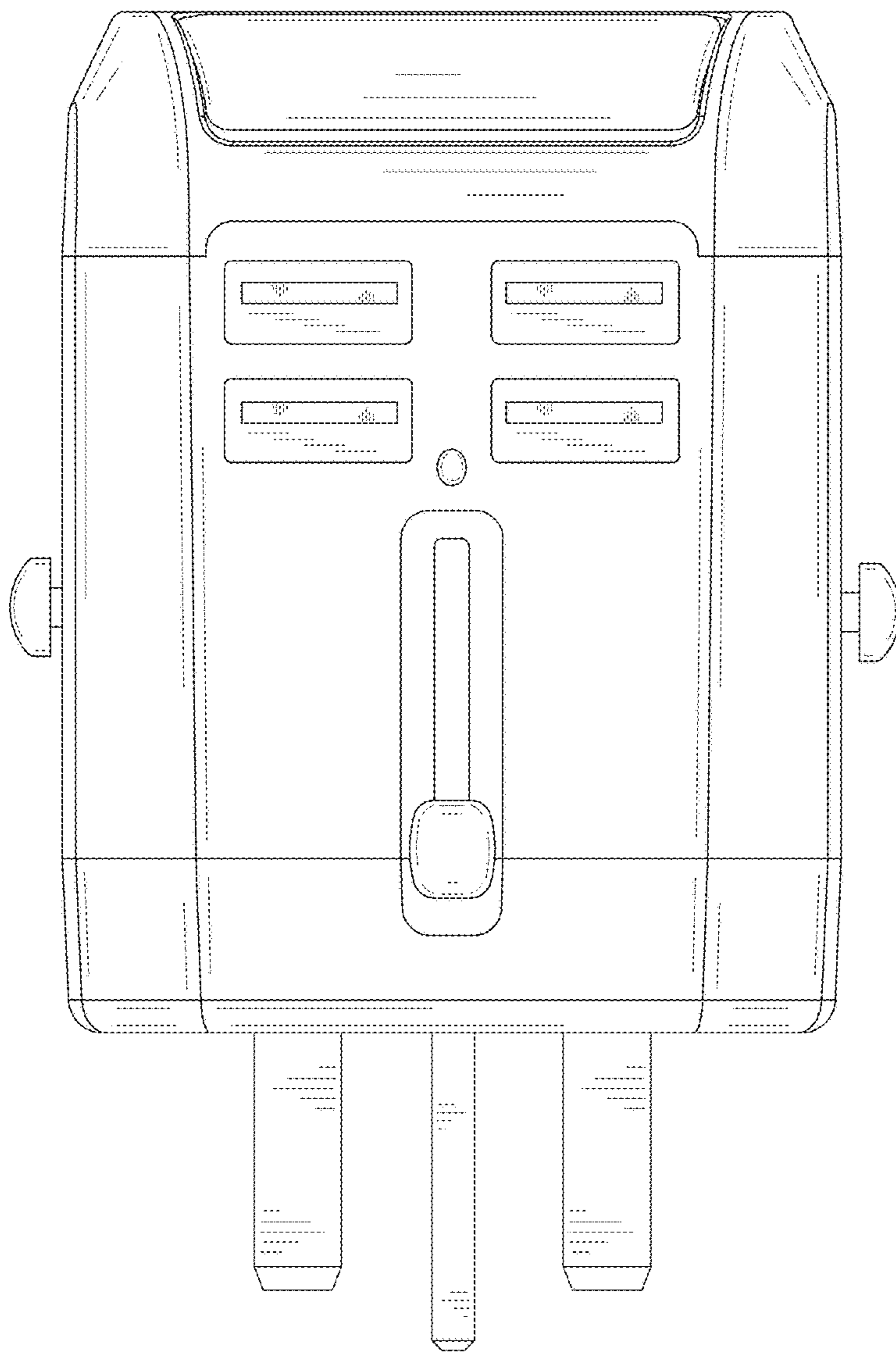


FIG.16

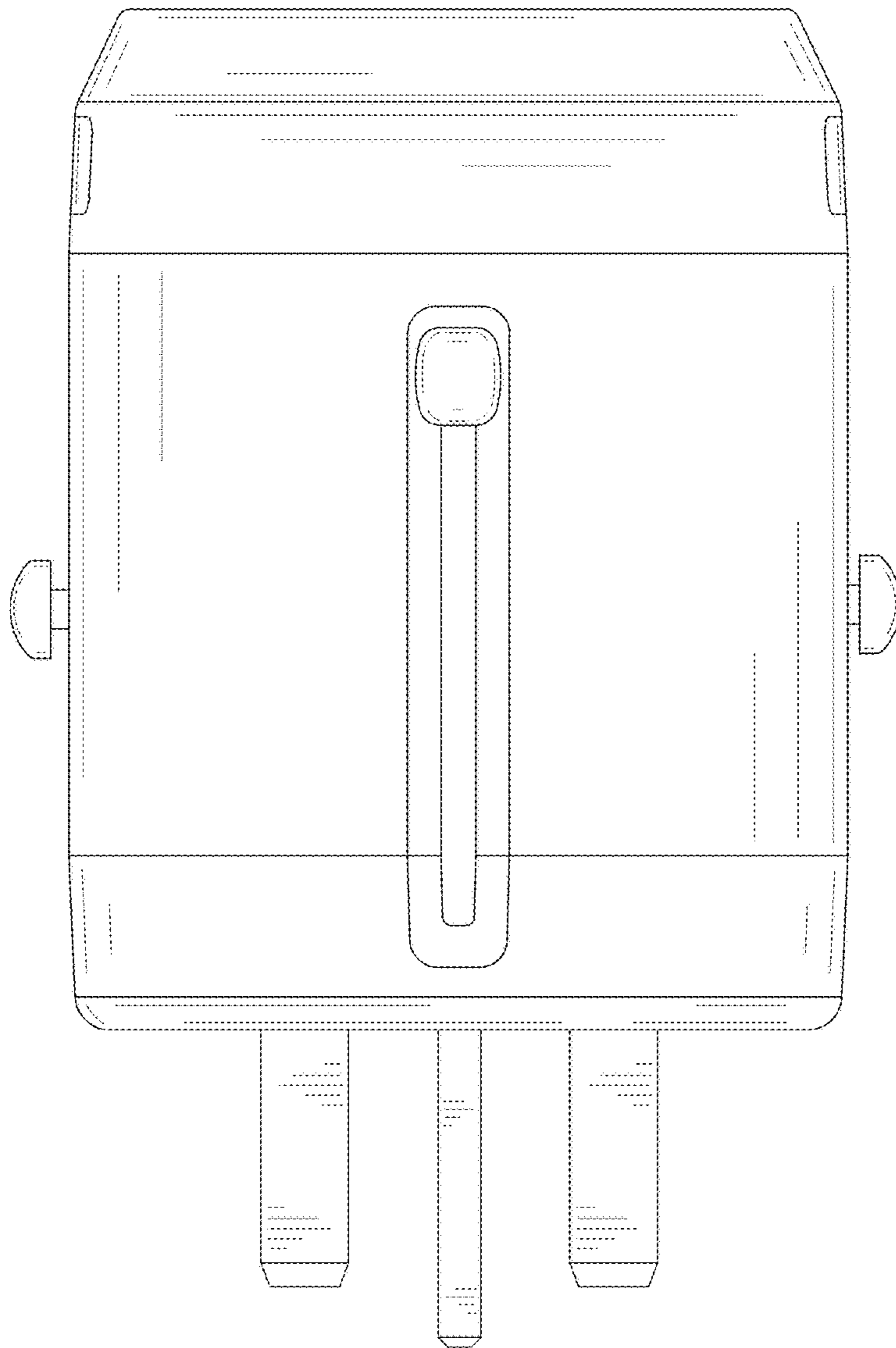


FIG.17

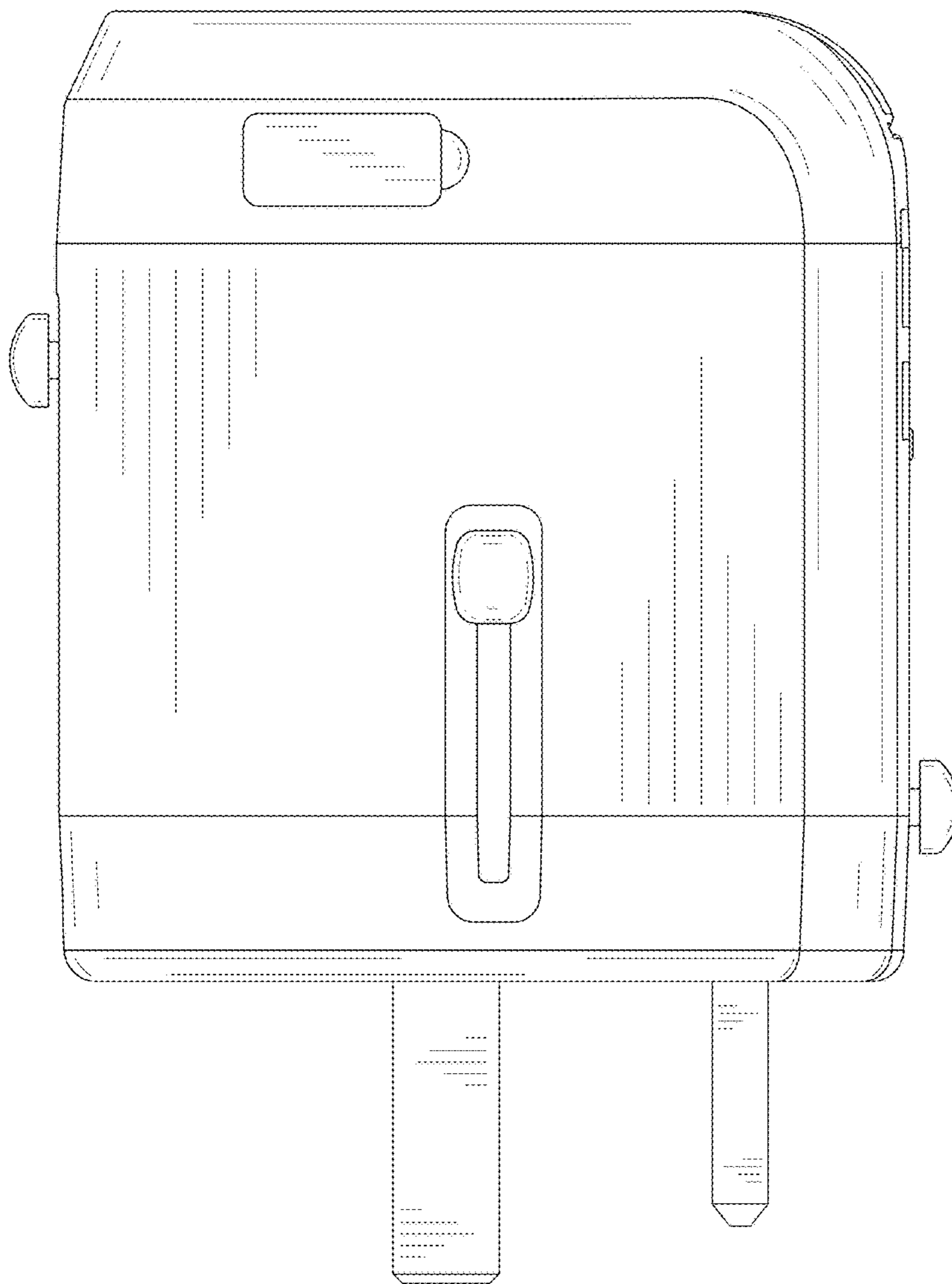


FIG.18

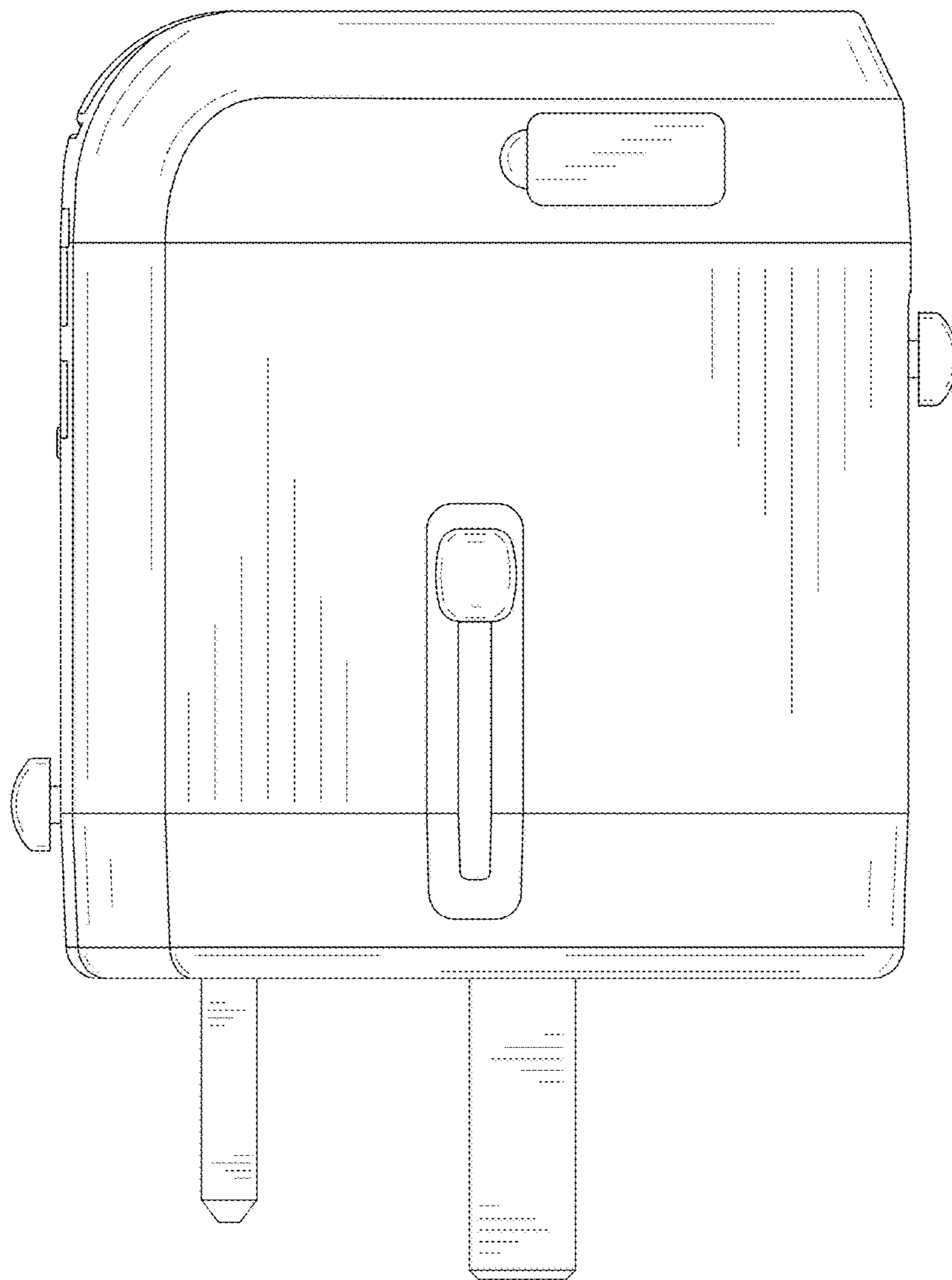


FIG. 19

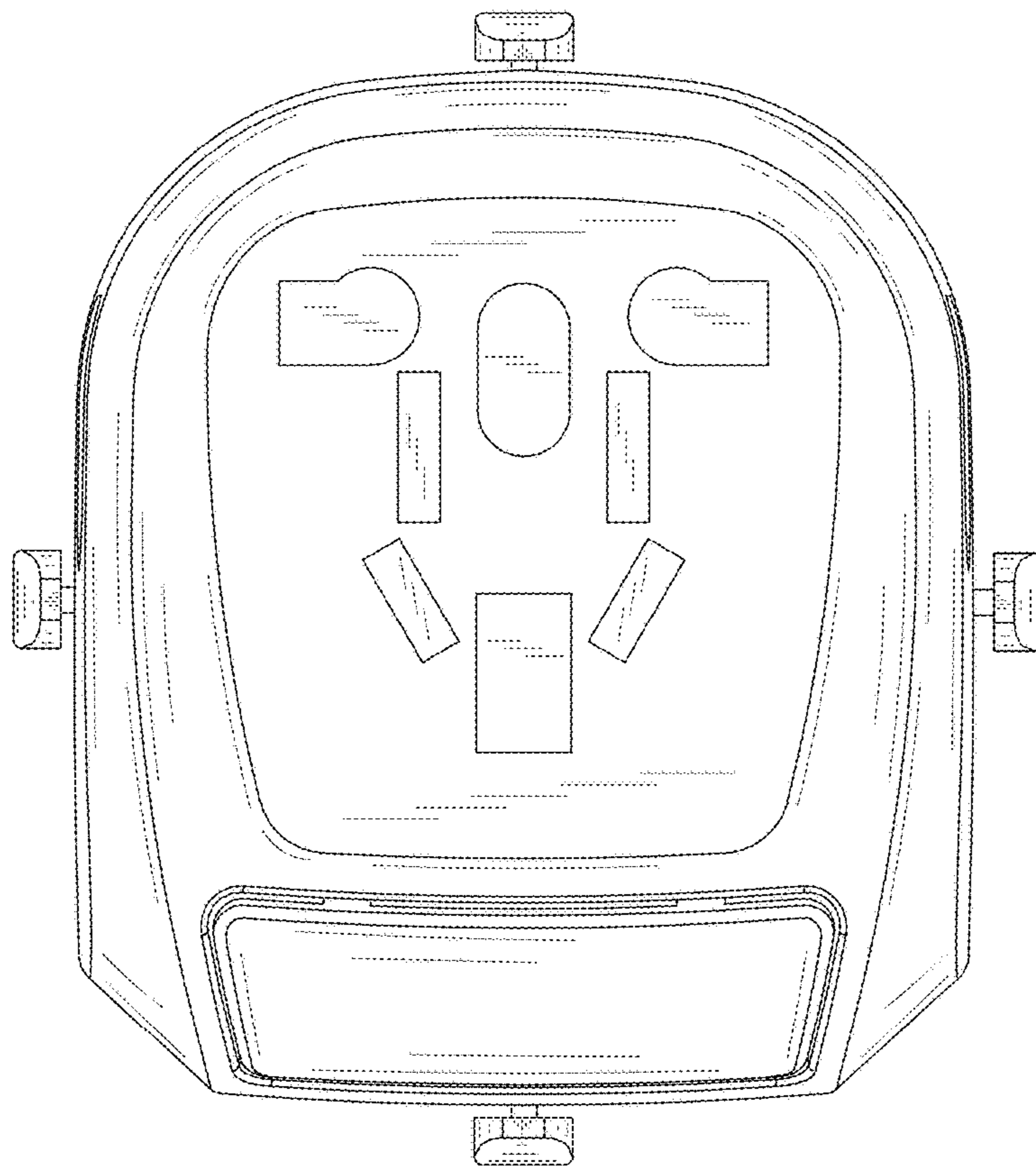


FIG.20

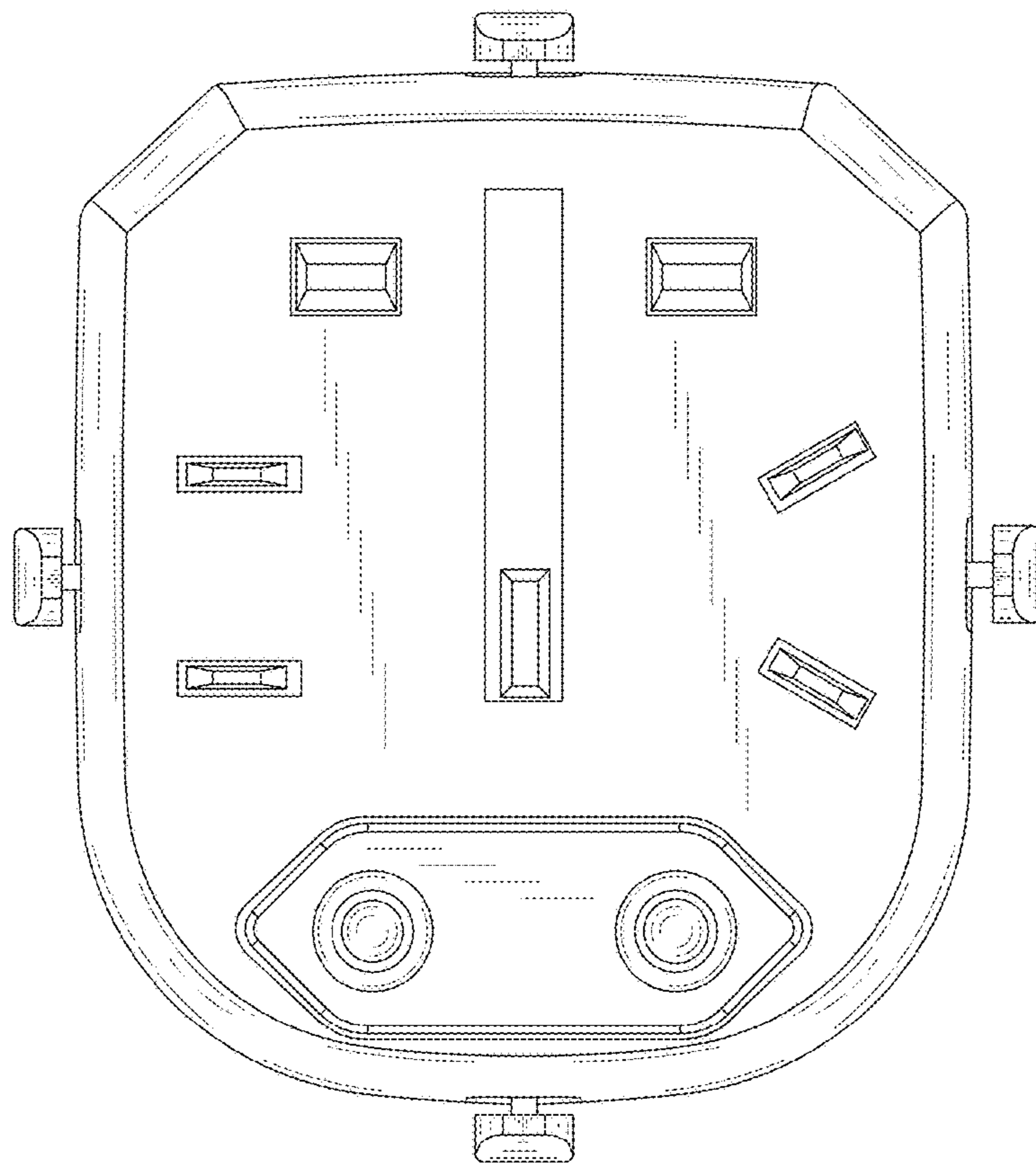


FIG.21

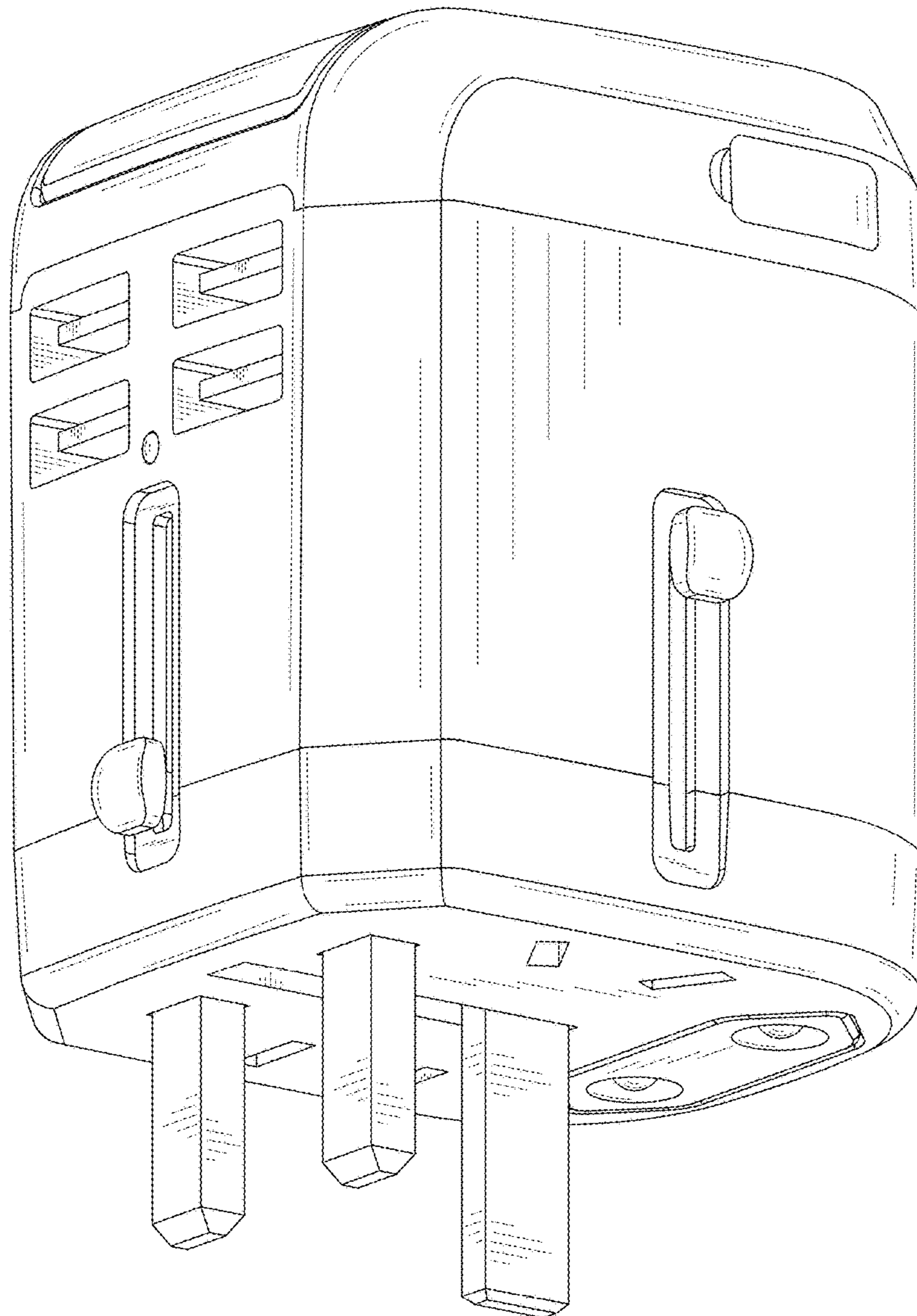


FIG.22

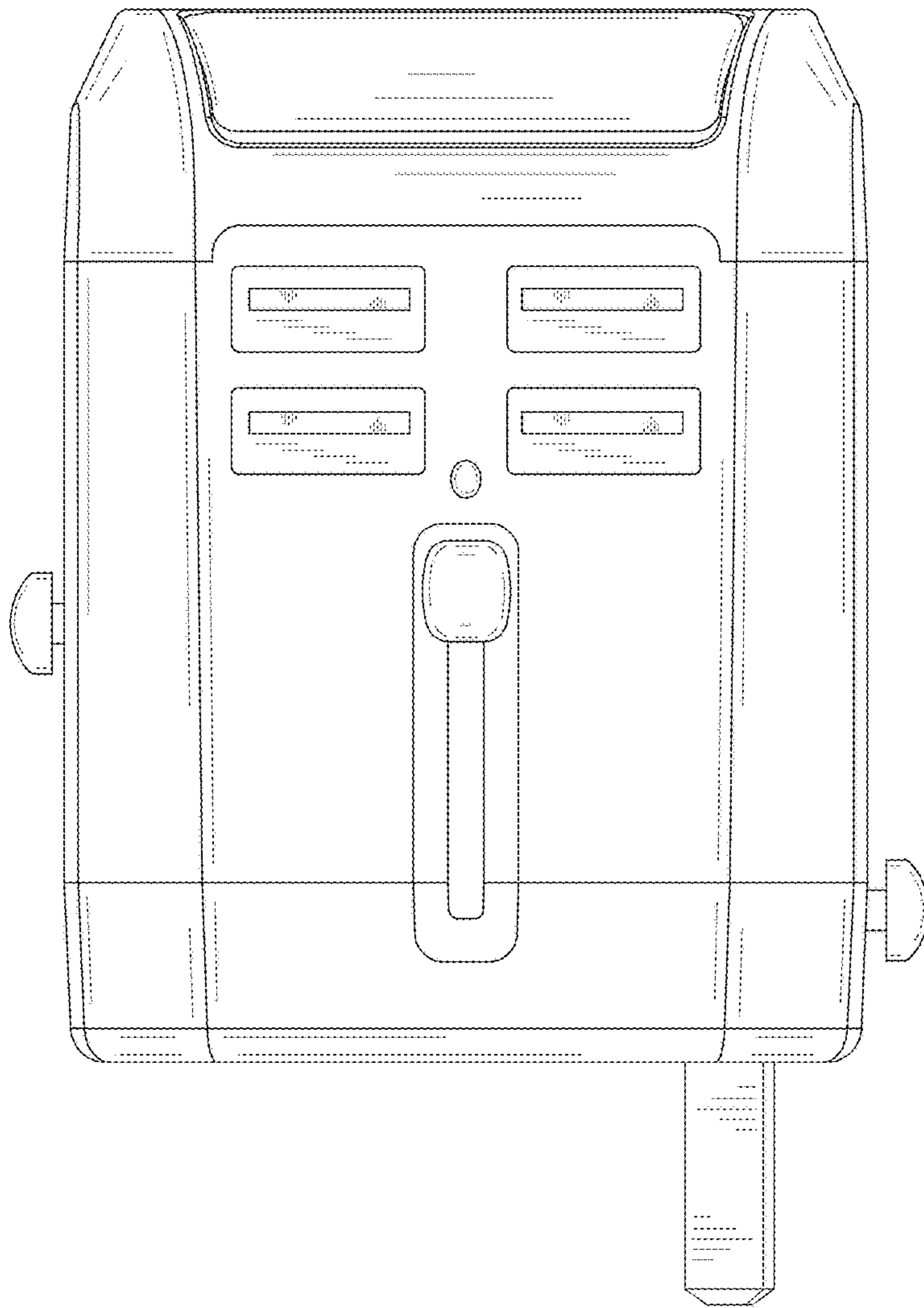


FIG.23

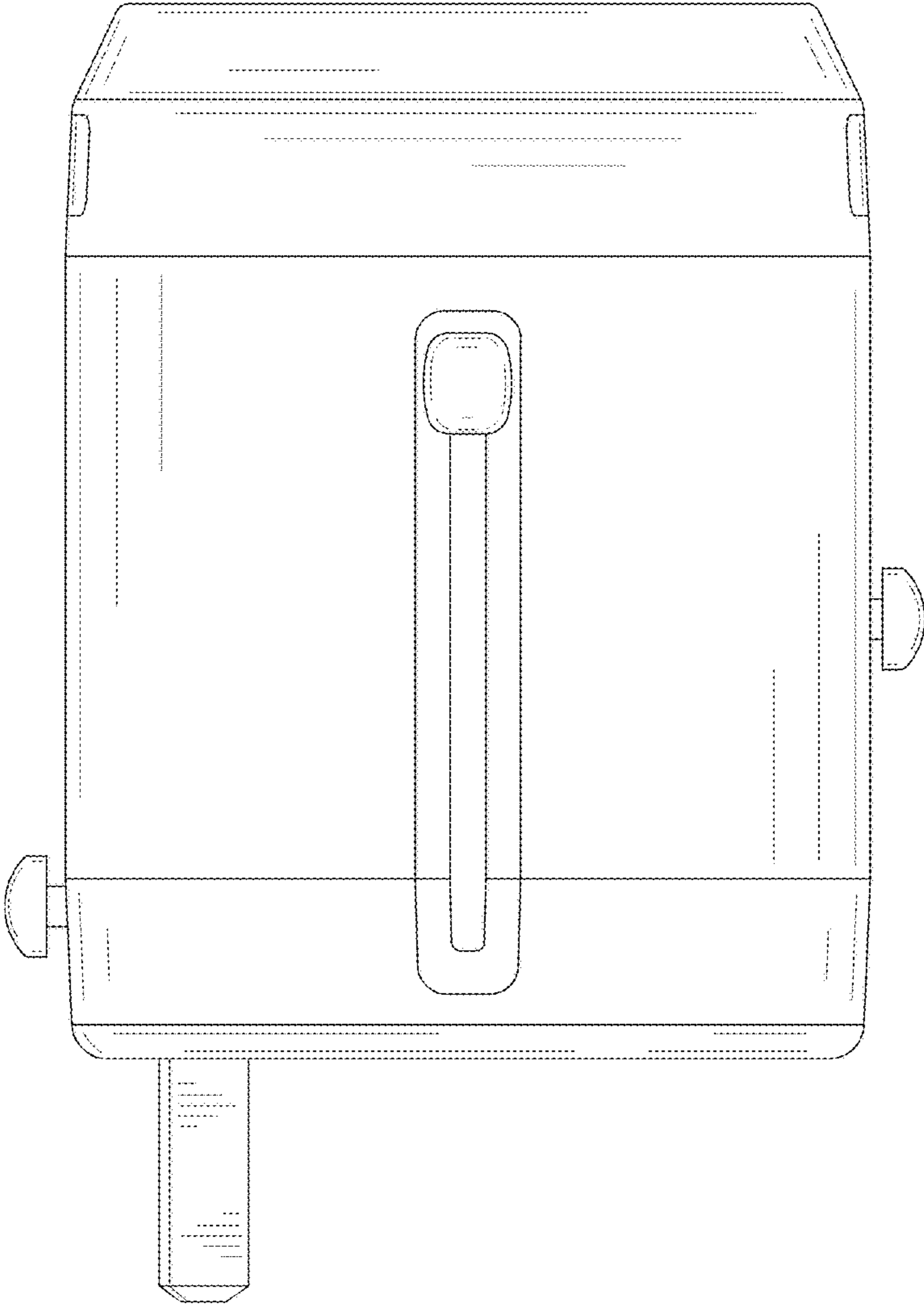


FIG.24

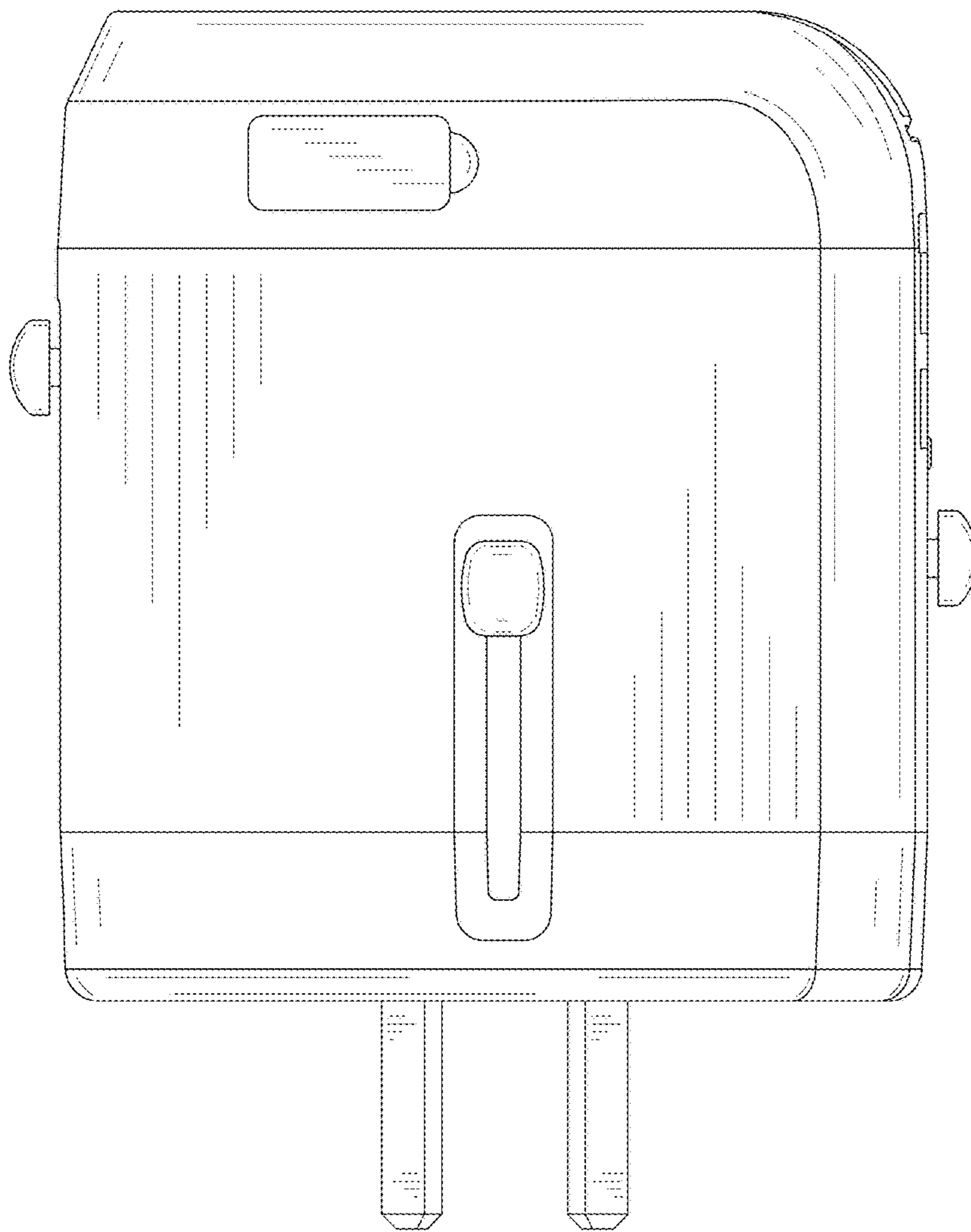


FIG.25

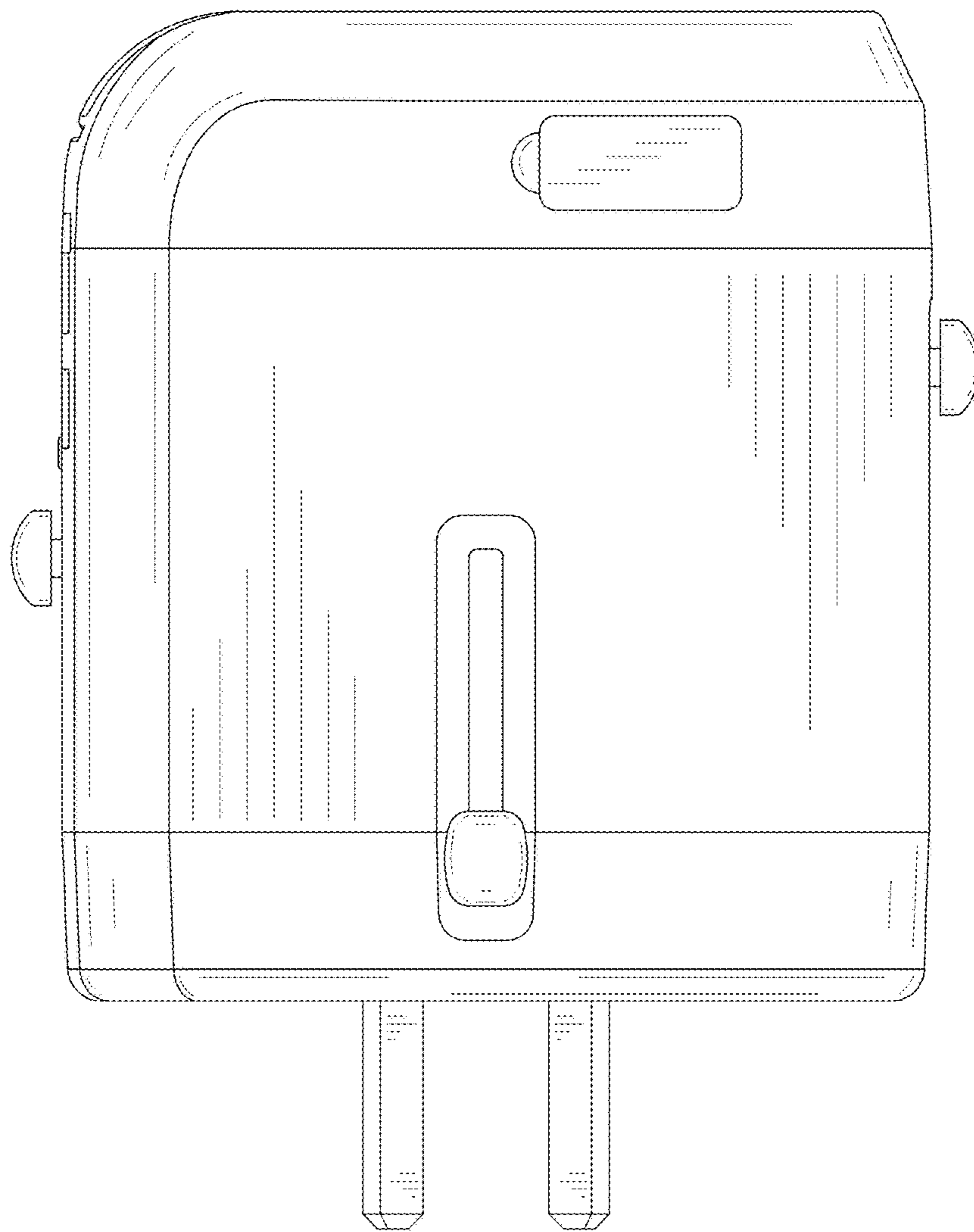


FIG.26

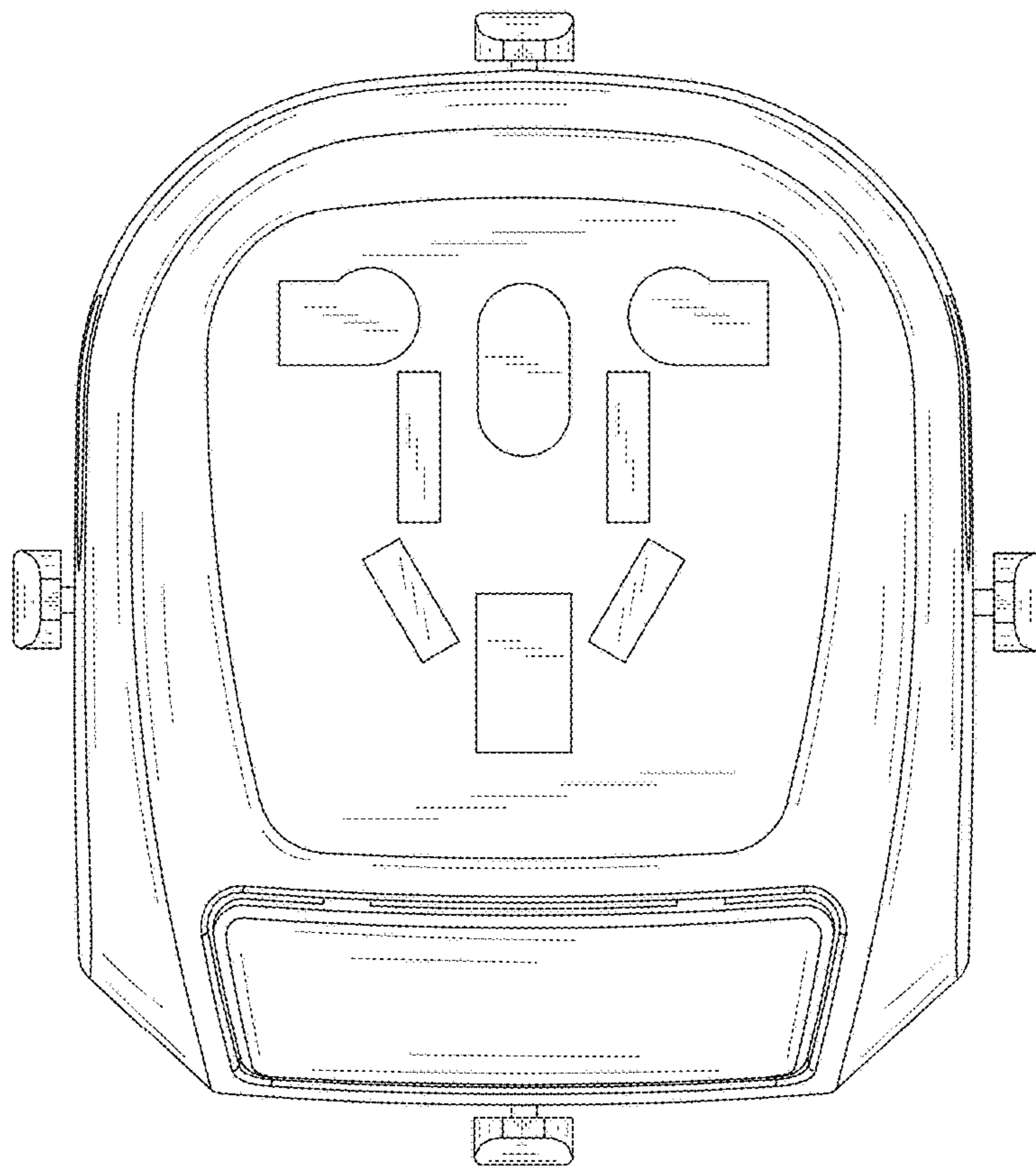


FIG.27

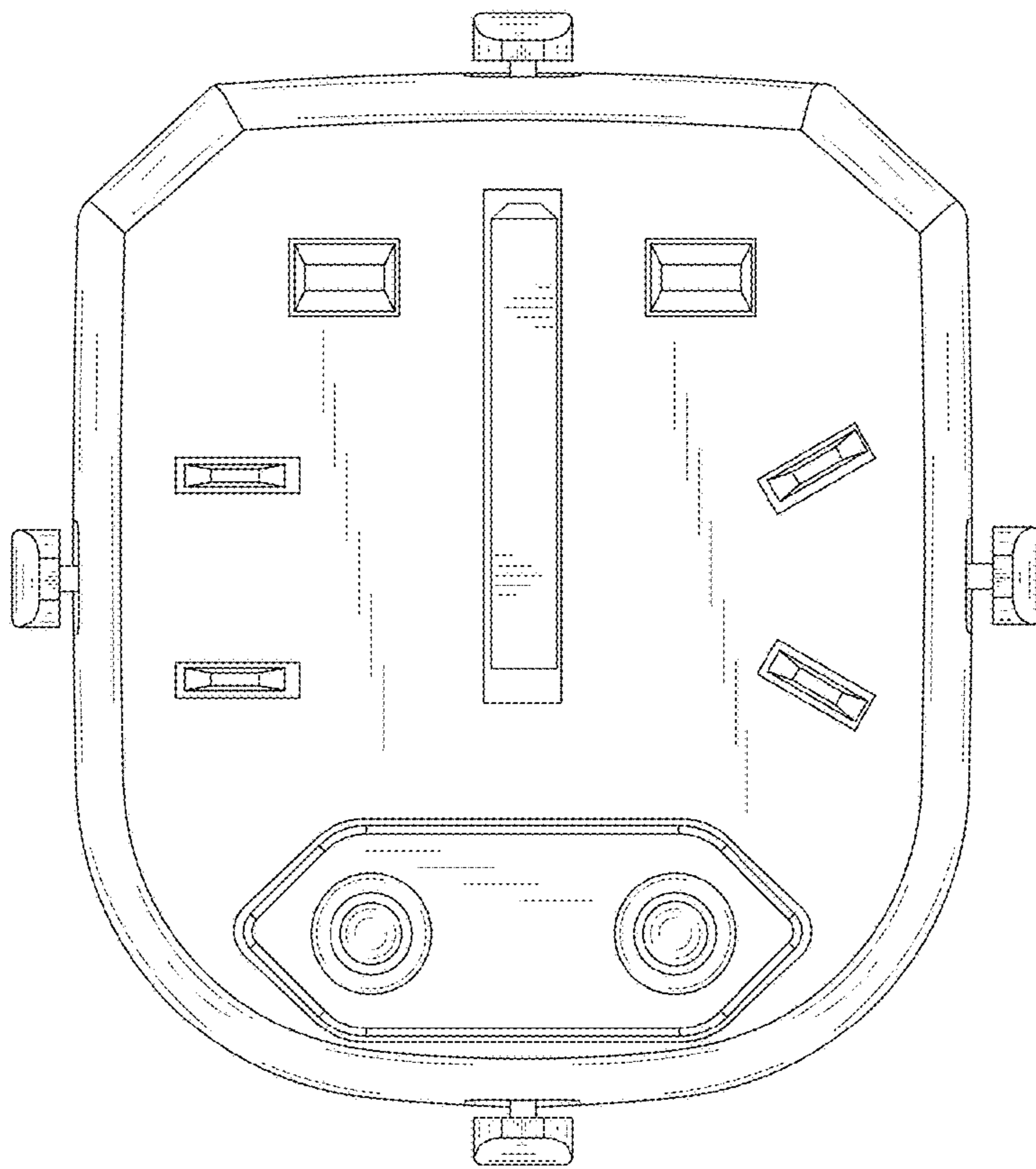


FIG.28

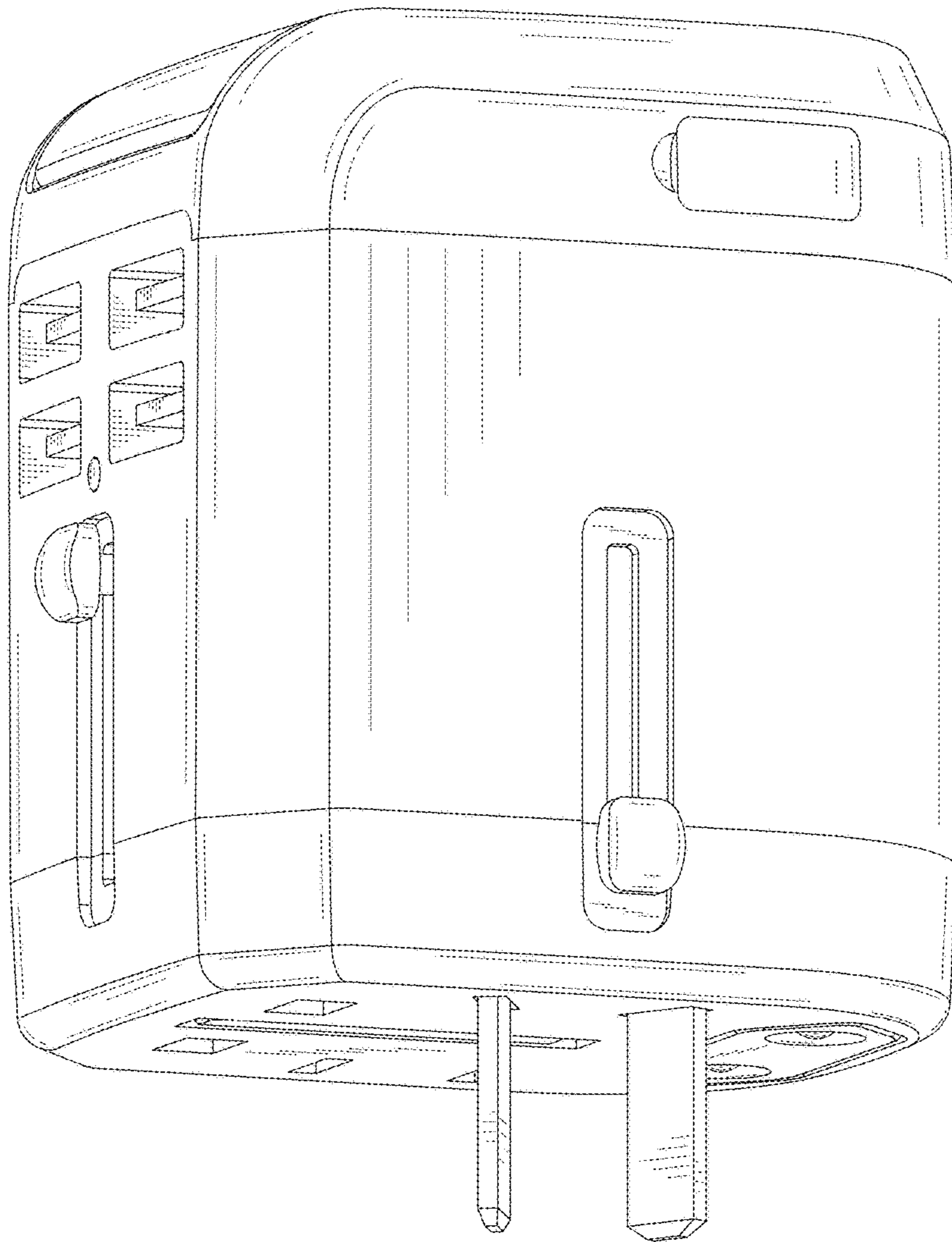


FIG.29

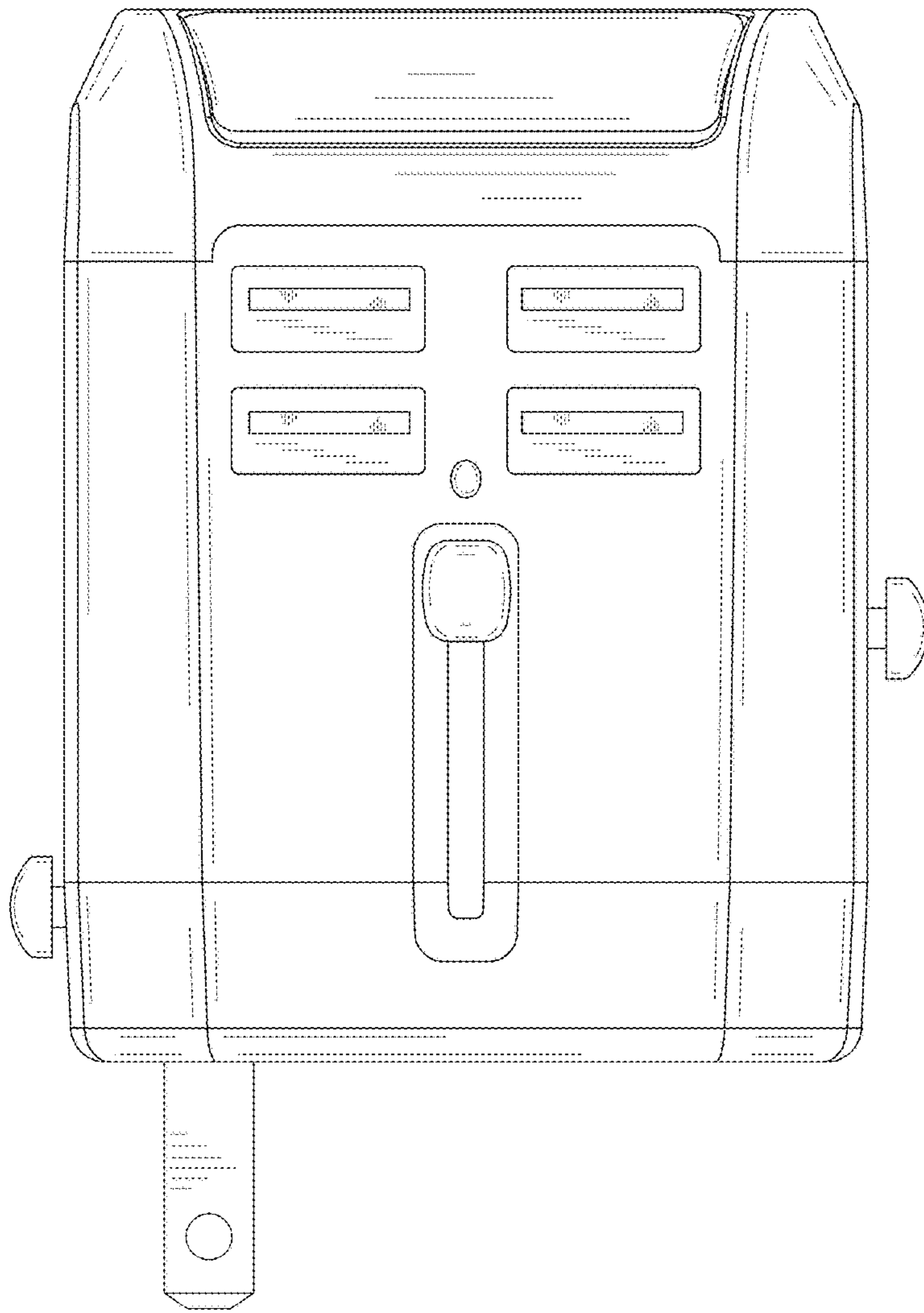


FIG.30

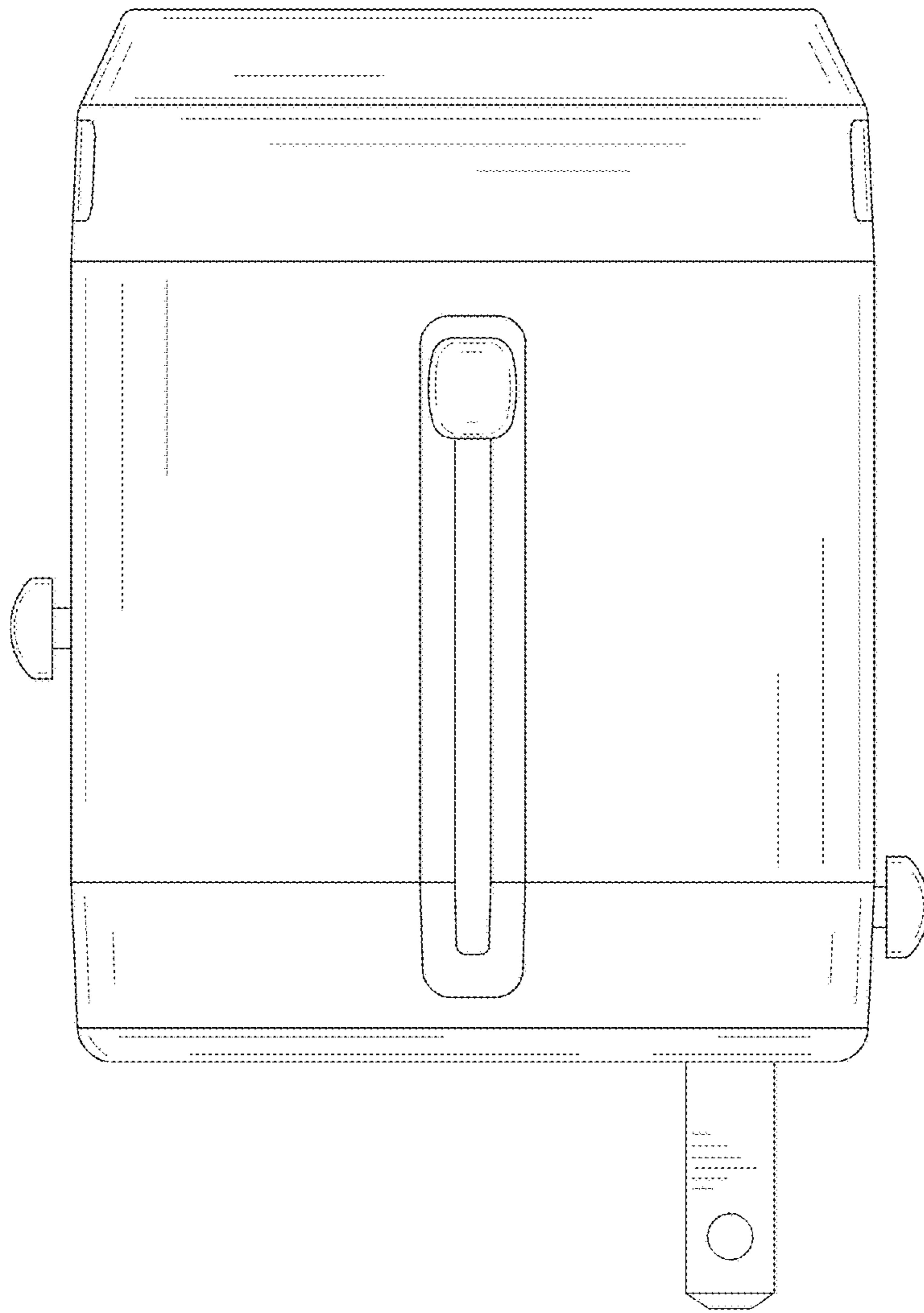


FIG.31

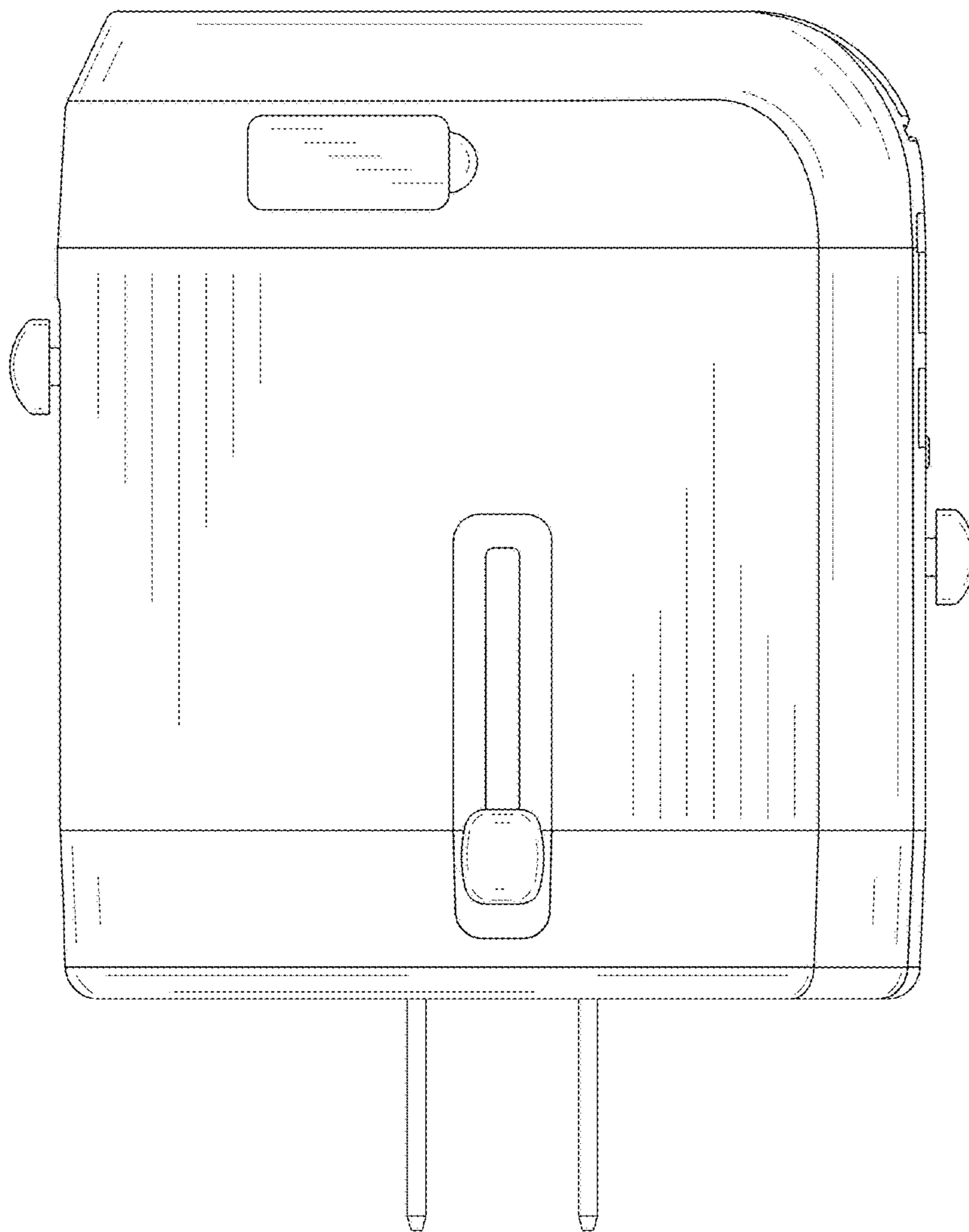


FIG.32

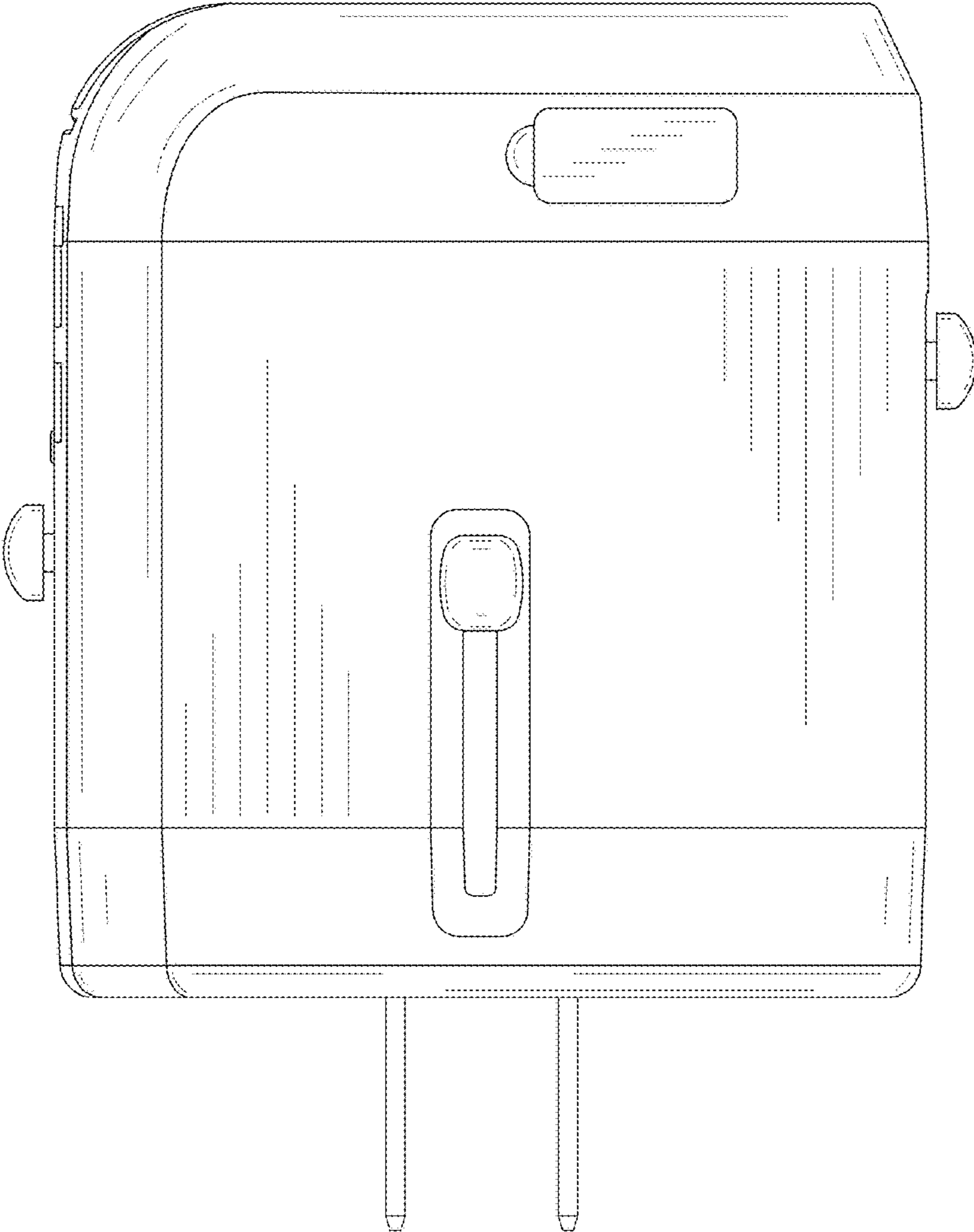


FIG.33

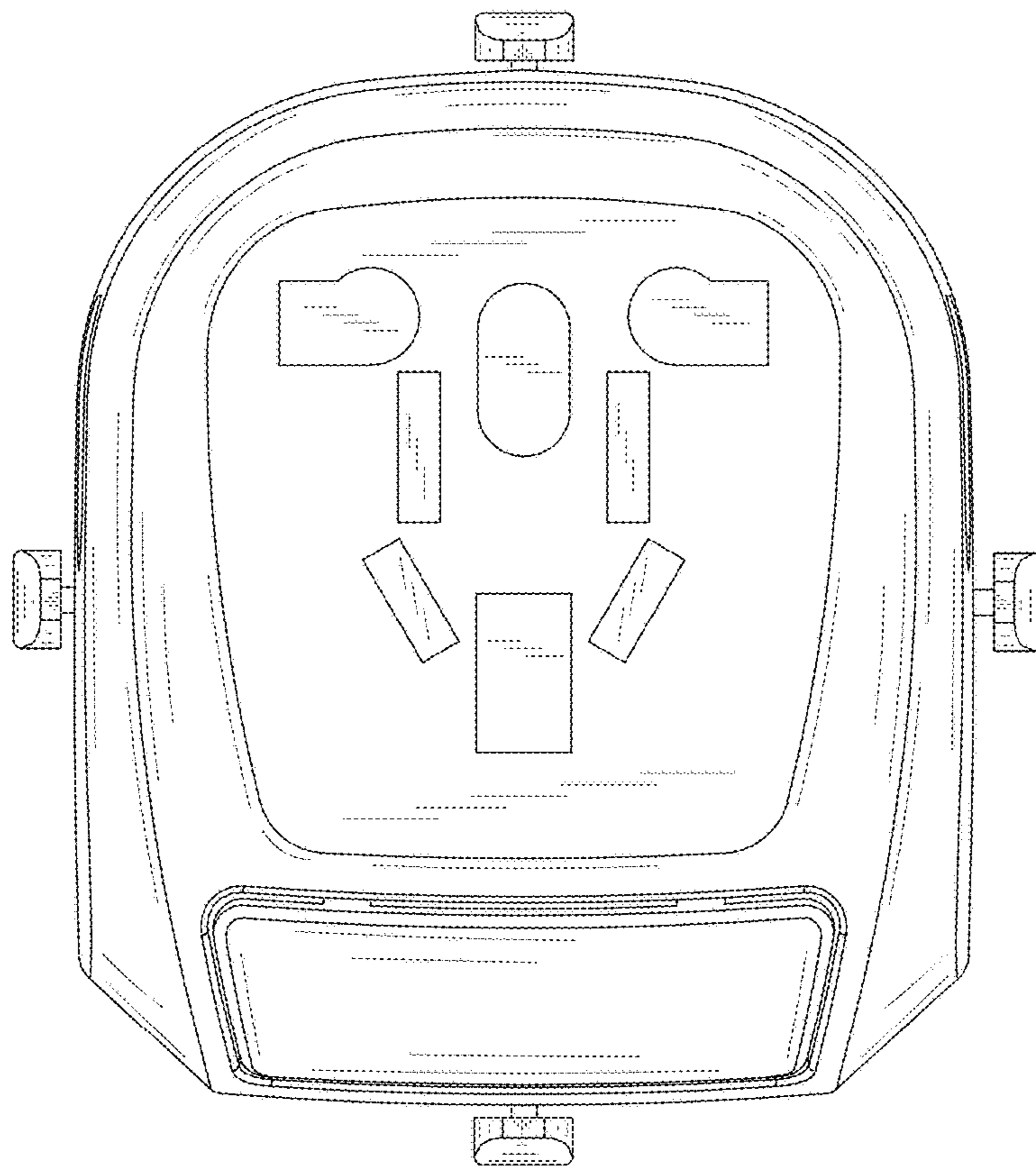


FIG.34

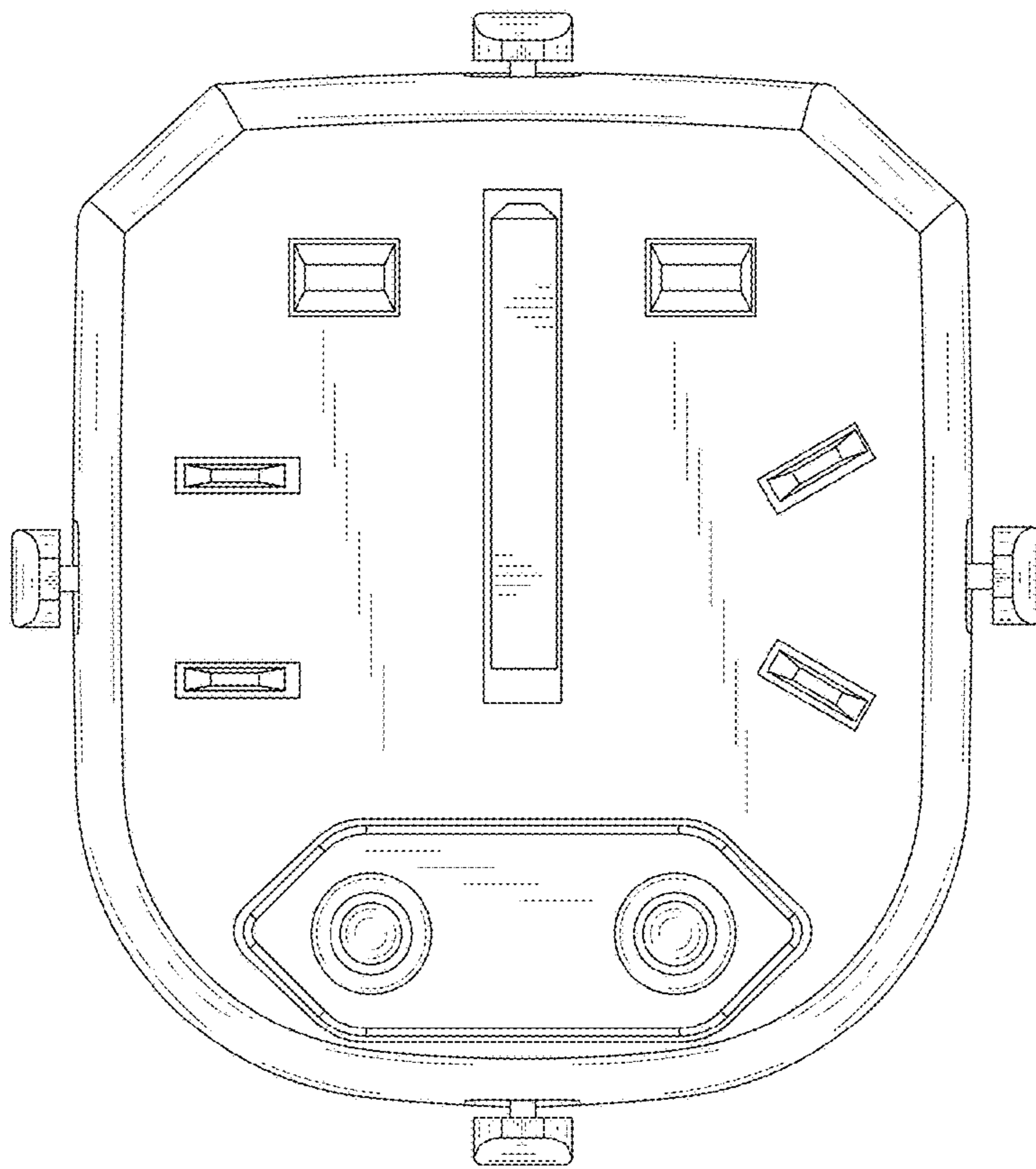


FIG.35

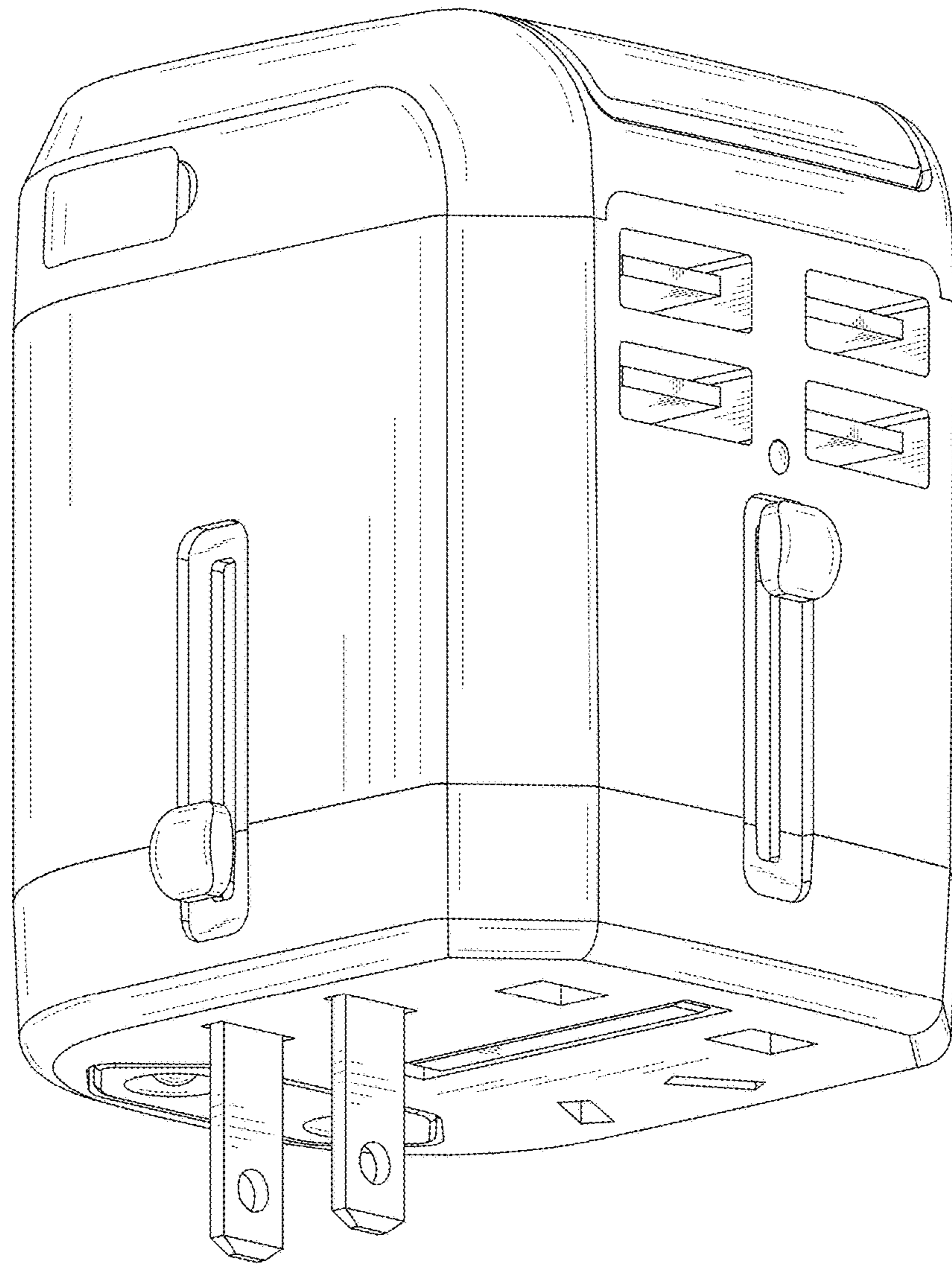


FIG.36