



US00D841652S

(12) **United States Design Patent**  
**Akana et al.**

(10) **Patent No.:** **US D841,652 S**

(45) **Date of Patent:** **\*\* Feb. 26, 2019**

(54) **ADAPTER**

(71) Applicant: **Apple Inc.**, Cupertino, CA (US)

(72) Inventors: **Jody Akana**, San Francisco, CA (US);  
**Bartley K. Andre**, Palo Alto, CA (US);  
**Jeremy Bataillou**, San Francisco, CA (US);  
**Daniel J. Coster**, San Francisco, CA (US);  
**Daniele De Iuliis**, San Francisco, CA (US);  
**M. Evans Hankey**, San Francisco, CA (US);  
**Julian Hoenig**, San Francisco, CA (US);  
**Richard P. Howarth**, San Francisco, CA (US);  
**Jonathan P. Ive**, San Francisco, CA (US);  
**Duncan Robert Kerr**, San Francisco, CA (US);  
**Shin Nishibori**, Kailua, HI (US);  
**Matthew Dean Rohrbach**, San Francisco, CA (US);  
**Peter Russell-Clarke**, San Francisco, CA (US);  
**Christopher J. Stringer**, Woodside, CA (US);  
**Eugene Antony Whang**, San Francisco, CA (US);  
**Rico Zörkendörfer**, San Francisco, CA (US)

(73) Assignee: **Apple Inc.**, Cupertino, CA (US)

(\*\*) Term: **15 Years**

(21) Appl. No.: **29/581,997**

(22) Filed: **Oct. 24, 2016**

**Related U.S. Application Data**

(63) Continuation of application No. 29/557,994, filed on Mar. 14, 2016, now Pat. No. Des. 769,877, and a continuation of application No. 29/557,995, filed on Mar. 14, 2016, now Pat. No. Des. 770,456, which is a continuation of application No. 29/530,282, filed on Jun. 15, 2015, now Pat. No. Des. 751,560, which is a continuation of application No. 29/477,506, filed on Dec. 23, 2013, now Pat. No. Des. 732,035, said application No. 29/557,994 is a continuation of application No. 29/530,282, filed on Jun. 15, 2015,

now Pat. No. Des. 751,560, said application No. 29/477,506 is a continuation of application No. 29/456,487, filed on May 31, 2013, now Pat. No. Des. 707,681, which is a continuation of application No. 29/431,556, filed on Sep. 7, 2012, now Pat. No. Des. 684,976.

(51) **LOC (11) Cl.** ..... **14-02**

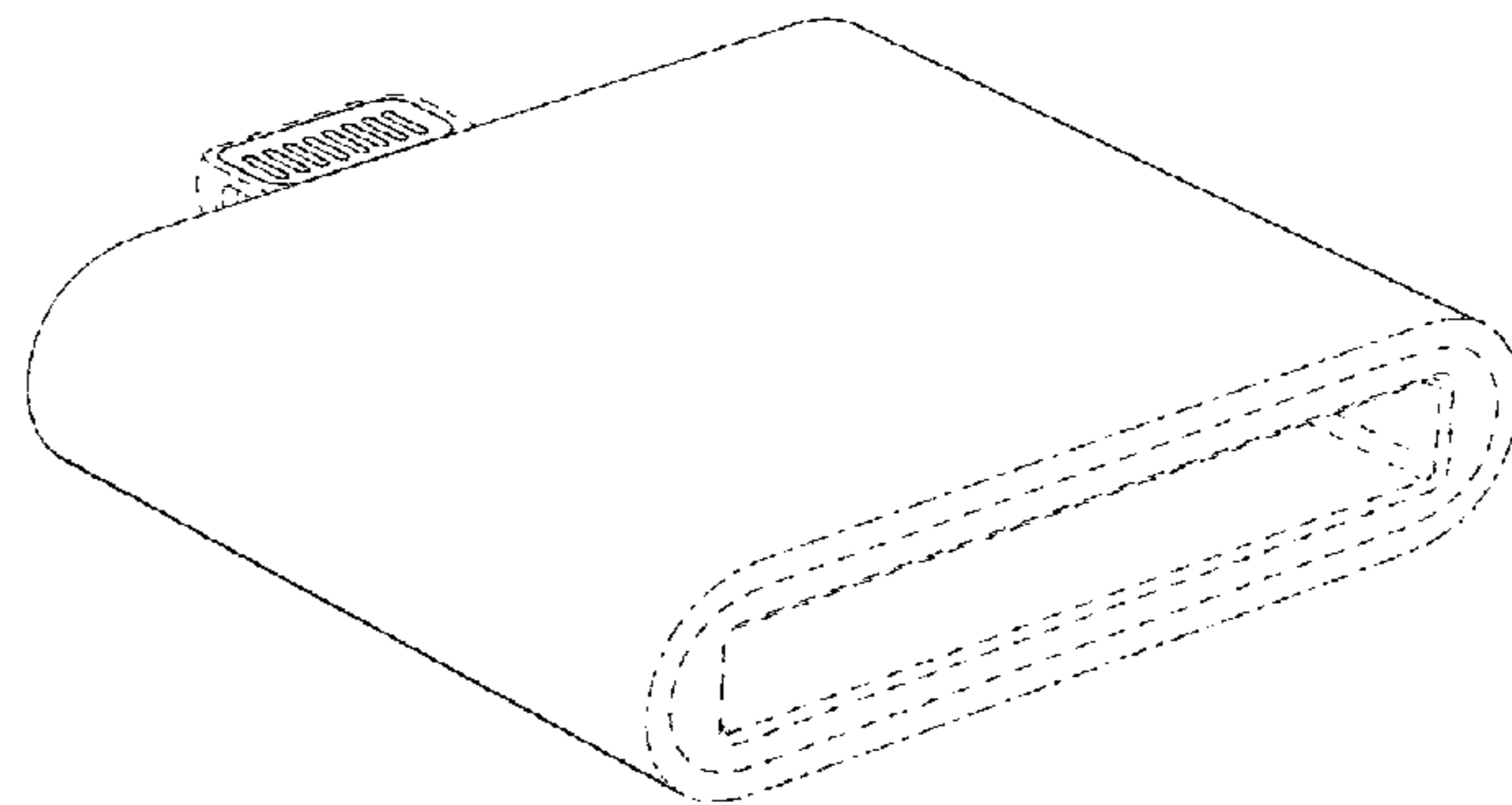
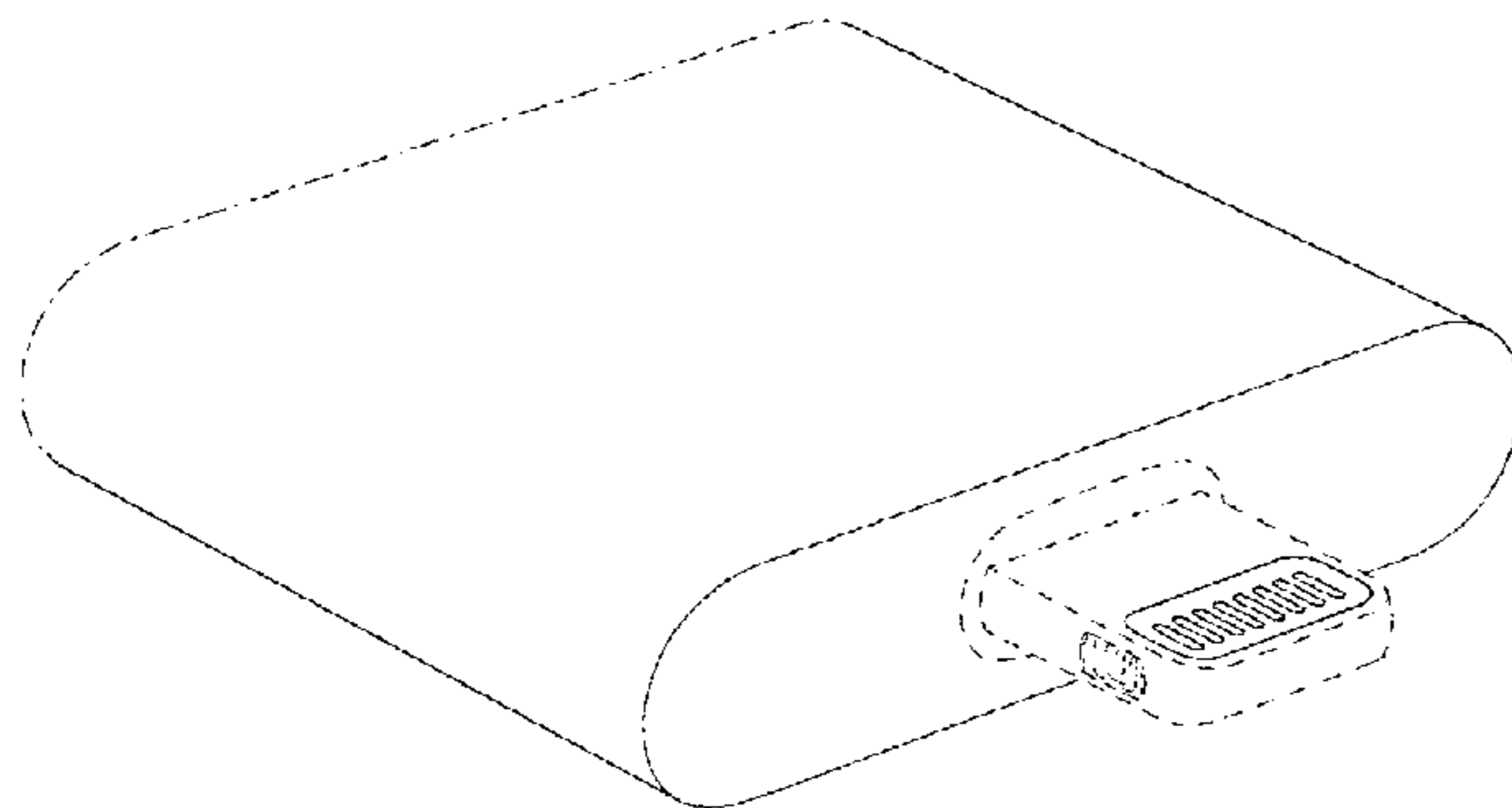
(52) **U.S. Cl.**  
USPC ..... **D14/433**

(58) **Field of Classification Search**  
USPC .... D14/356, 432-434, 453, 454, 511, 203.8,  
D14/209.1, 238.1, 240, 125; 439/638,  
439/928, 105, 502; 710/303, 304;  
361/679.41, 679.55, 679.56; D13/110,  
D13/133, 146  
CPC ..... H01R 24/64; H01R 24/62; H01R 12/714;  
H01R 13/506; H01R 13/6658  
See application file for complete search history.

(56) **References Cited**

**U.S. PATENT DOCUMENTS**

D304,028 S	10/1989	Matsuzaki
5,179,501 A	1/1993	Ocken et al.
D336,746 S	6/1993	Tse
D369,157 S	4/1996	Ohmori et al.
5,568,006 A	10/1996	Luff et al.
D399,047 S	10/1998	Yoshida et al.
6,137,710 A	10/2000	Iwasaki et al.
D446,499 S	8/2001	Andre et al.
D452,245 S	12/2001	Wallace et al.
D452,246 S	12/2001	Wallace et al.
D454,110 S	3/2002	Andre et al.
6,483,038 B2	11/2002	Lee et al.
D487,747 S	3/2004	Yu et al.
D490,796 S	6/2004	Allen
D515,545 S	2/2006	Griffin
D522,463 S	6/2006	Novotney et al.
D525,977 S	8/2006	Yao
7,094,089 B2	8/2006	Andre et al.
D531,127 S	10/2006	Zhong et al.
D534,184 S	12/2006	Leija et al.
D534,545 S	1/2007	Leija et al.
D537,036 S	2/2007	Chen
D537,780 S	3/2007	Suckle
D552,099 S	10/2007	Nishizawa et al.
D552,604 S	10/2007	Andre et al.
D558,145 S	12/2007	Stavoe et al.





com/2011/10/apple-launches-30-pin-to-usb-iphone-adapter-for-eu-compliance/>.

“Apple iPad Camera Connection Kit,” Apple Inc., accessed Dec. 28, 2016, <<http://www.apple.com/au/shop/product/MC531AM/A/apple-ipad-camera-connection-kit?fnode=91>>.

U.S. Appl. No. 29/375,909, filed Sep. 29, 2010; Andre et al.

U.S. Appl. No. 29/424,257, filed Jun. 8, 2012; Akana et al.

U.S. Appl. No. 29/432,034, filed Sep. 12, 2012; Akana et al.

\* cited by examiner

*Primary Examiner* — Austin Murphy

(74) *Attorney, Agent, or Firm* — Sterne, Kessler,  
Goldstein & Fox P.L.L.C.

(57) **CLAIM**

The ornamental design for an adapter, as shown and described.

**DESCRIPTION**

FIG. 1 is a top front perspective view of an adapter showing the claimed design;

FIG. 2 is a bottom rear perspective view thereof;

FIG. 3 is a front view thereof, the rear view being a mirror image thereof;

FIG. 4 is a side view thereof, the other side view being a mirror image thereof;

FIG. 5 is a bottom view thereof; and,

FIG. 6 is a top view thereof.

The dashed broken lines in the figures show portions of the adapter that form no part of the claimed design.

The dot-dash broken lines in the figures show boundaries that form no part of the claimed design.

**1 Claim, 4 Drawing Sheets**

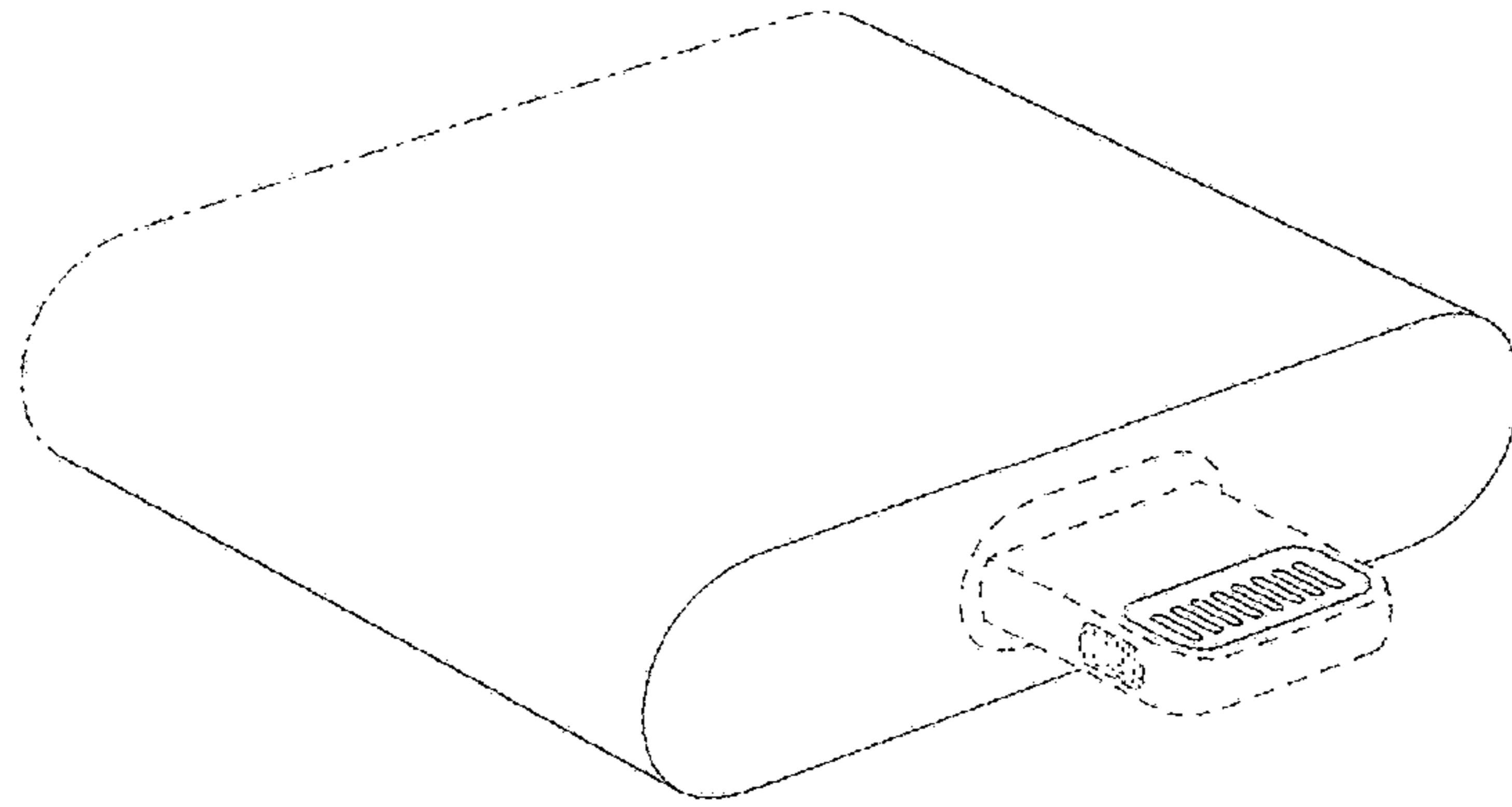


FIG. 1

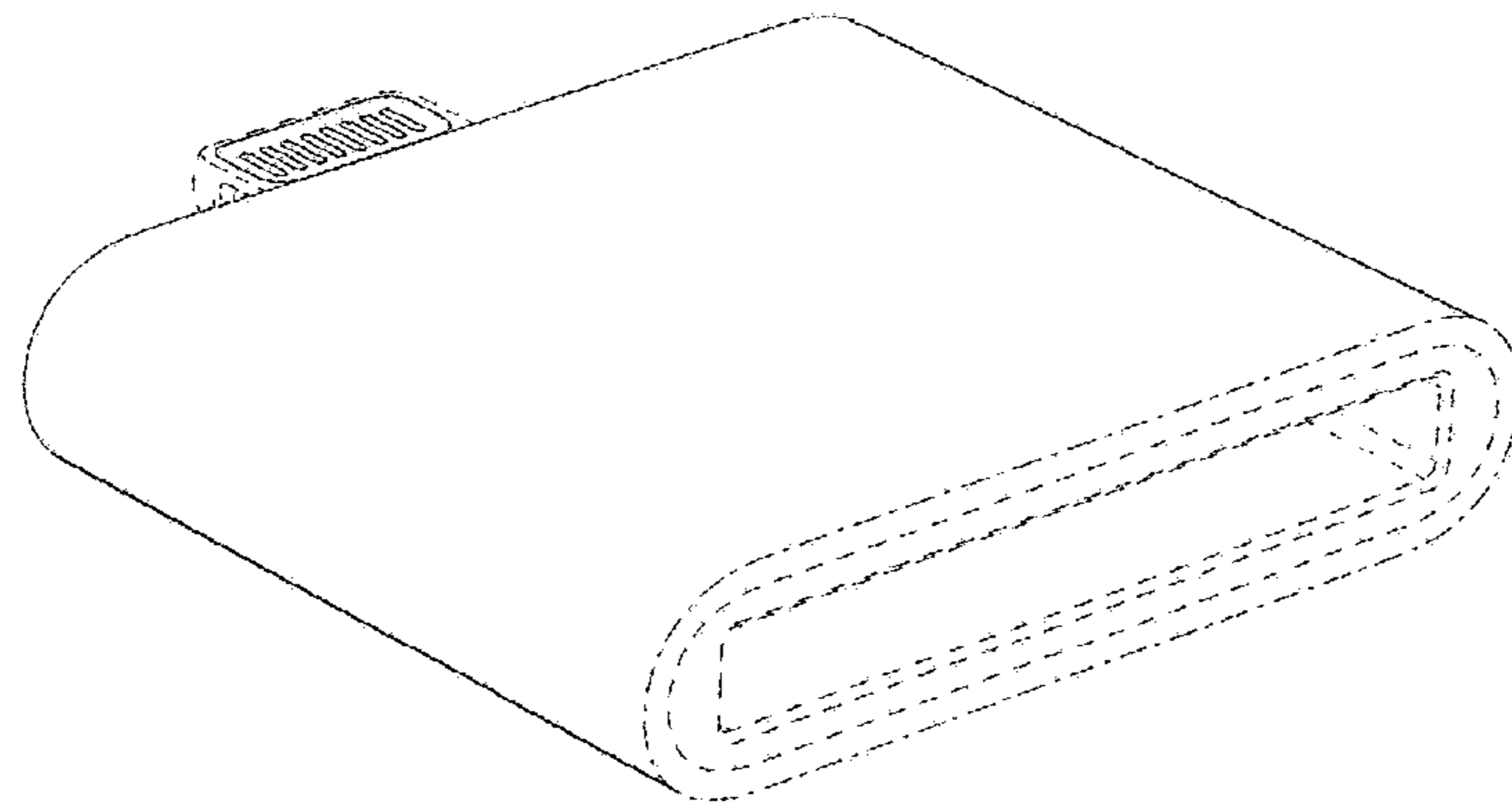
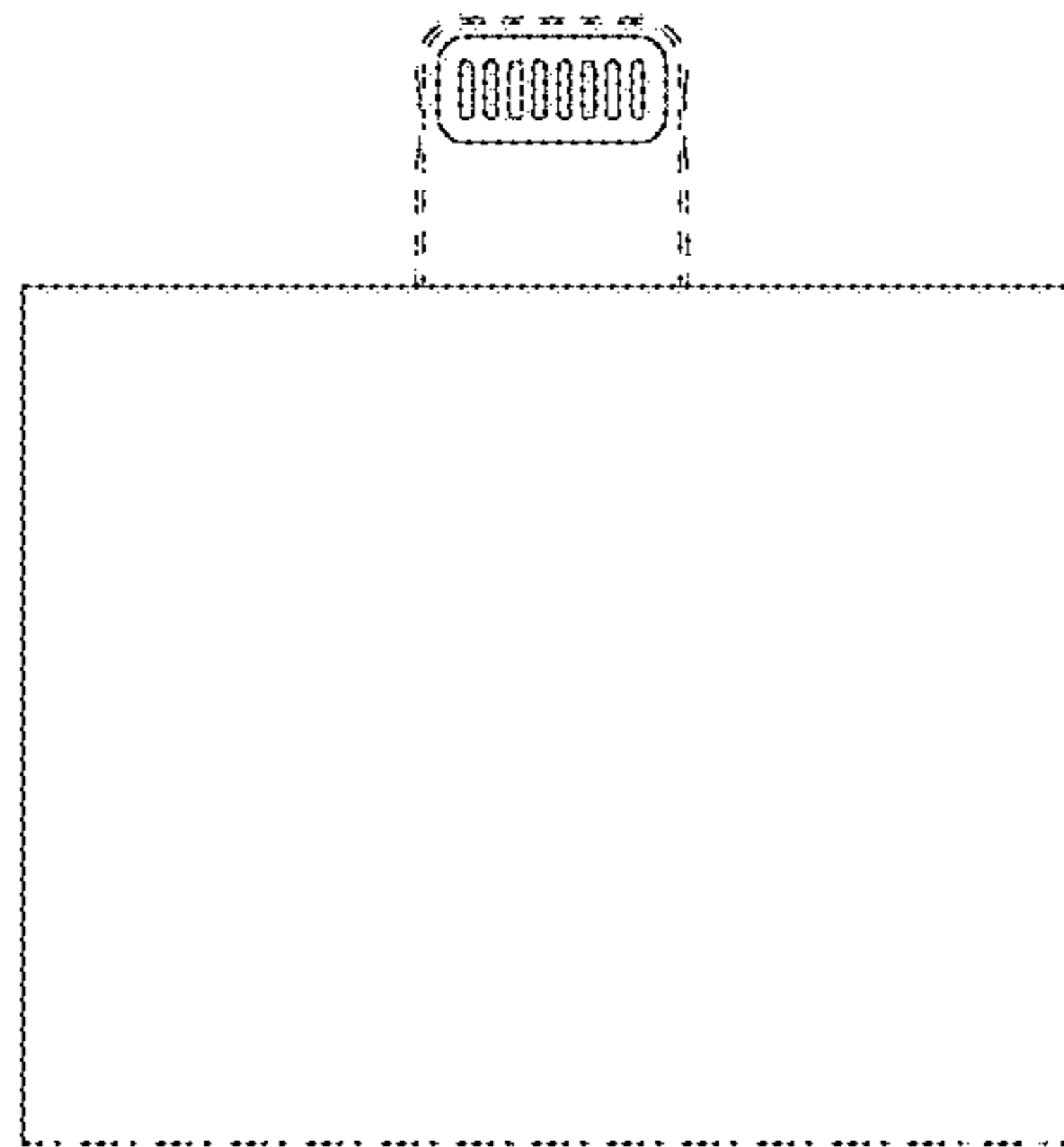


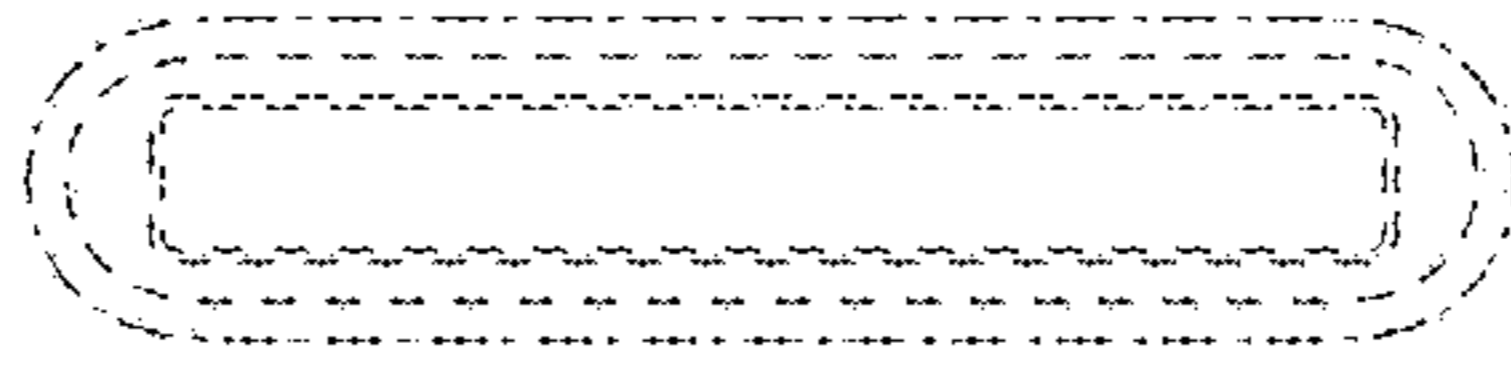
FIG. 2



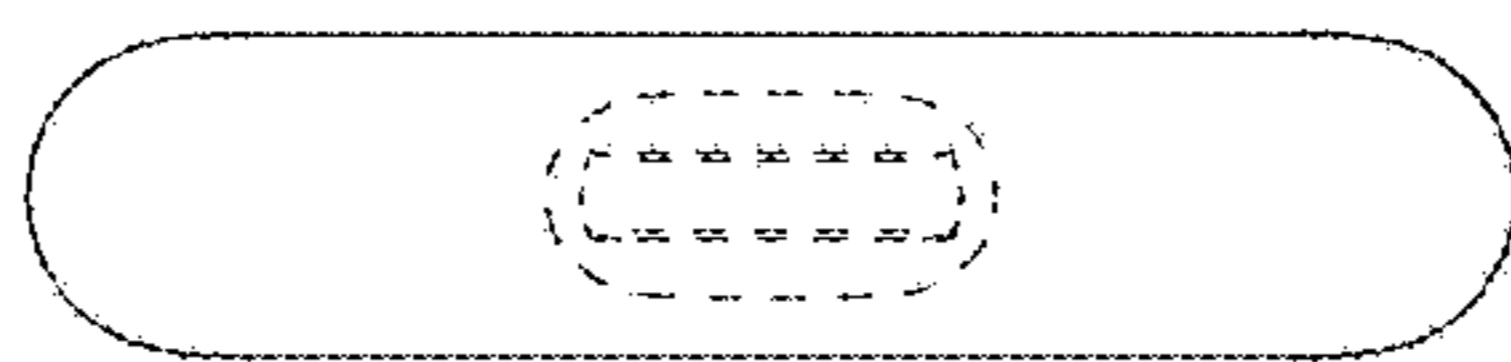
**FIG. 3**



FIG. 4



**FIG. 5**



**FIG. 6**