



US00D841651S

(12) **United States Design Patent** (10) **Patent No.:** **US D841,651 S**
Akana et al. (45) **Date of Patent:** **** Feb. 26, 2019**

(54) **ELECTRONIC DEVICE**

(71) Applicant: **Apple Inc.**, Cupertino, CA (US)

(72) Inventors: **Jody Akana**, San Francisco, CA (US);
Molly Anderson, San Francisco, CA (US);
Bartley K. Andre, Palo Alto, CA (US);
Shota Aoyagi, San Francisco, CA (US);
Anthony Michael Ashcroft, San Francisco, CA (US);
Marine C. Bataille, San Francisco, CA (US);
Jeremy Bataillou, San Francisco, CA (US);
Robert Y. Cao, San Francisco, CA (US);
James M. Cuseo, Los Altos, CA (US);
Daniele De Iuliis, San Francisco, CA (US);
Markus Diebel, San Francisco, CA (US);
Kevin Scott Fetterman, Los Altos, CA (US);
M. Evans Hankey, San Francisco, CA (US);
Julian Hoenig, San Francisco, CA (US);
Richard P. Howarth, San Francisco, CA (US);
Jonathan P. Ive, San Francisco, CA (US);
Julian Jaede, San Francisco, CA (US);
Duncan Robert Kerr, San Francisco, CA (US);
Dinesh Mathew, Fremont, CA (US);
Sabrina Paseman, Saratoga, CA (US);
Gavin J. Reid, Campbell, CA (US);
Peter Russell-Clarke, San Francisco, CA (US);
Benjamin Andrew Shaffer, San Jose, CA (US);
Mikael Silvano, San Francisco, CA (US);
Brandon S. Smith, Mountain View, CA (US);
Christopher J. Stringer, Woodside, CA (US);
Joe Sung-Ho Tan, San Francisco, CA (US);
Clement Tissandier, San Francisco, CA (US);
Eugene Antony Whang, San Francisco, CA (US);
Rico Zörkendörfer, San Francisco, CA (US)

(73) Assignee: **Apple Inc.**, Cupertino, CA (US)

(**) Term: **15 Years**

(21) Appl. No.: **29/582,321**

(22) Filed: **Oct. 27, 2016**

(51) **LOC (11) Cl.** **14-02**

(52) **U.S. Cl.**
USPC **D14/432**

(58) **Field of Classification Search**
USPC D13/110, 112, 118, 123, 133, 146, 154,
D13/156, 158–160, 173, 177, 182, 184,
(Continued)

(56) **References Cited**

U.S. PATENT DOCUMENTS

6,683,545 B2 1/2004 Strasser
D488,804 S 4/2004 Pitt et al.
(Continued)

OTHER PUBLICATIONS

U.S. Appl. No. 29/497,945, filed Jul. 30, 2014 (unpublished).

Primary Examiner — Angela J Lee

Assistant Examiner — Shawn T Gingrich

(74) *Attorney, Agent, or Firm* — Saidman DesignLaw Group, LLC

(57) **CLAIM**

The ornamental design for an electronic device, as shown and described.

DESCRIPTION

FIG. 1 is a top perspective view of an electronic device showing our new design;
FIG. 2 is a bottom perspective view thereof;
FIG. 3 is a front view thereof;
FIG. 4 is a rear view thereof;
FIG. 5 is a left side view thereof;
FIG. 6 is a right side view thereof;

(Continued)

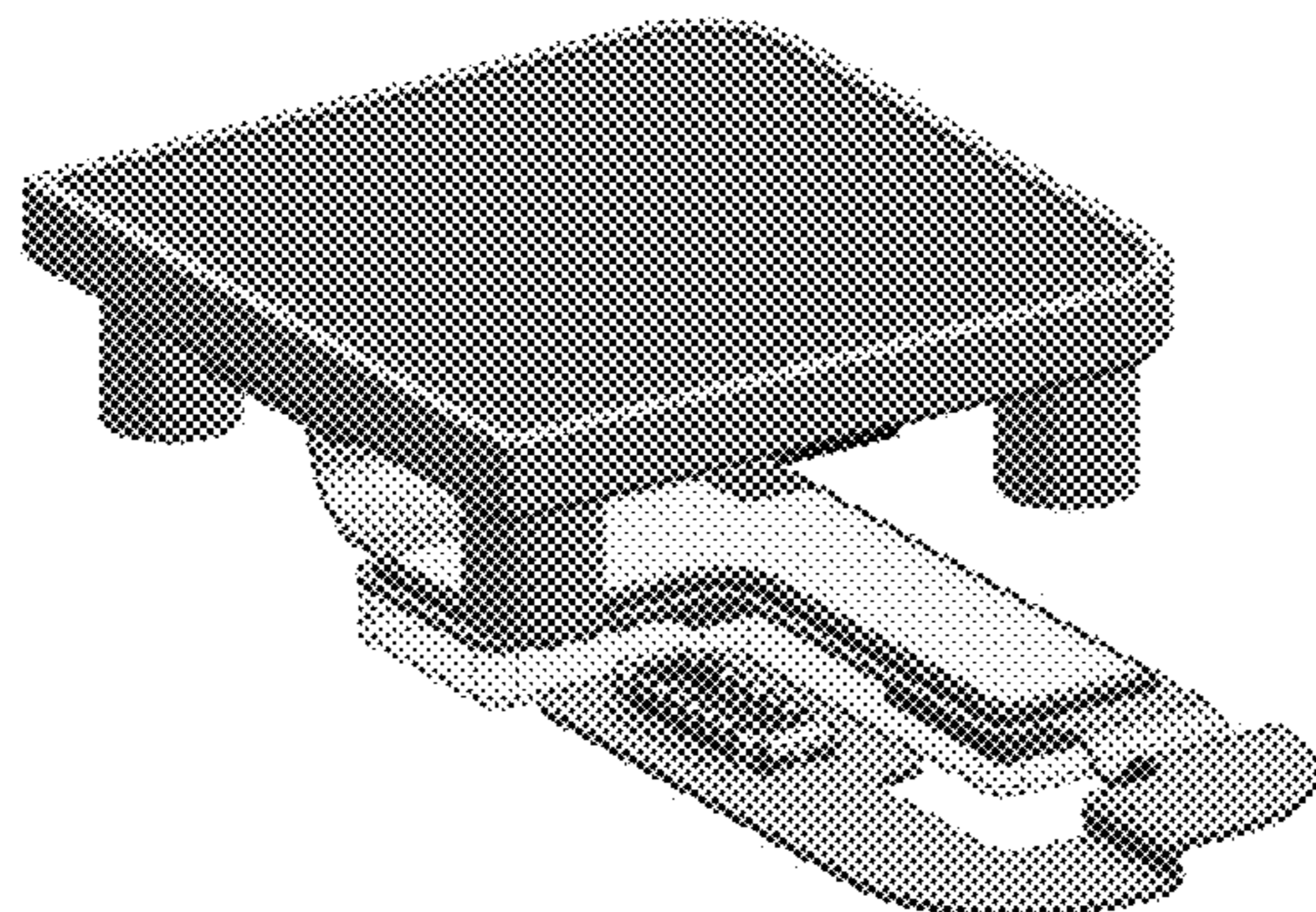


FIG. 7 is a top view thereof; and,
FIG. 8 is a bottom view thereof.

1 Claim, 8 Drawing Sheets

(58) **Field of Classification Search**

USPC D13/199; D14/125, 240, 300–302,
D14/308–314, 348, 353–358, 432, 433,
D14/439–446, 496; D10/50
CPC G06K 9/00; G06K 9/00013; H01H 1/10;
H01H 3/12; H01H 11/00; H01H 13/14;
H01R 43/16; H04M 1/02; H04M 1/026;
H05K 5/02; H05K 5/0278; A45C 11/00;
A45C 2011/003; B60R 11/0241; B60R
11/0252; F16M 11/00; F16M 13/00
See application file for complete search history.

(56) **References Cited**

U.S. PATENT DOCUMENTS

D514,105 S 1/2006 Ohta et al.
D514,570 S 2/2006 Ohta

D561,782 S 2/2008 Kim
D568,310 S 5/2008 Franck et al.
D695,316 S 12/2013 Akana et al.
D697,511 S 1/2014 Andre et al.
D717,800 S 11/2014 Akana et al.
D732,540 S 6/2015 Kang et al.
D741,333 S 10/2015 Aoyagi et al.
D748,062 S 1/2016 Akana et al.
D748,621 S 2/2016 Akana et al.
D759,656 S * 6/2016 Andre D14/435.1
D765,084 S * 8/2016 Akana D14/439
D769,876 S 10/2016 Aoyagi et al.
D817,282 S * 5/2018 Akana D13/147
9,972,454 B1 * 5/2018 Cohen H01H 3/12
9,972,459 B1 * 5/2018 Hill H01H 13/10
2010/0061055 A1 * 3/2010 Dabov G06F 1/1626
361/679.56
2011/0214977 A1 * 9/2011 Hill H01H 13/82
200/513
2018/0075274 A1 * 3/2018 Cao H01H 13/14
2018/0075275 A1 * 3/2018 Smith G06K 9/00087
2018/0090286 A1 * 3/2018 Chen H01H 13/04
2018/0131111 A1 * 5/2018 Tziviskos H01R 13/516

* cited by examiner

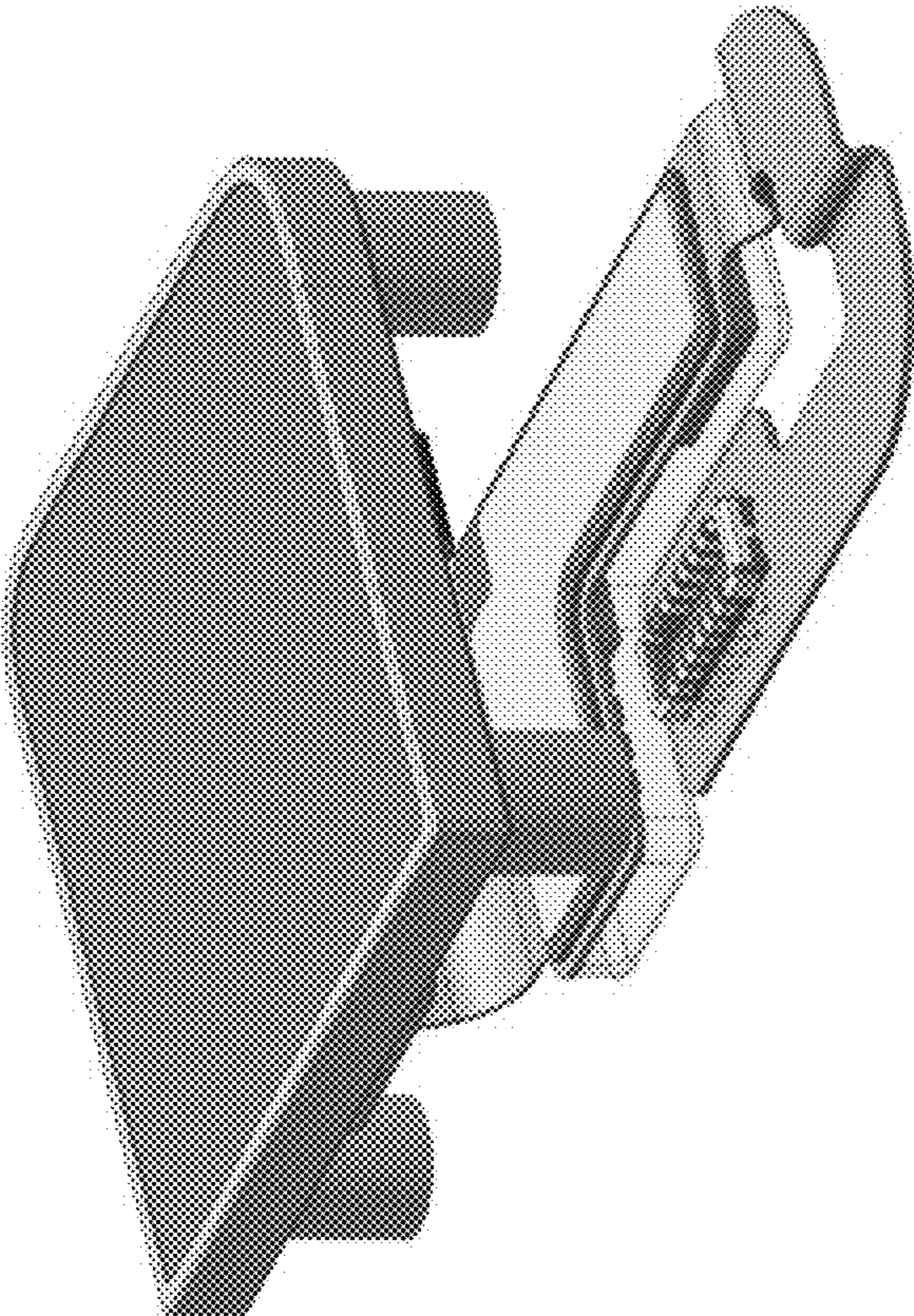


FIG. 1

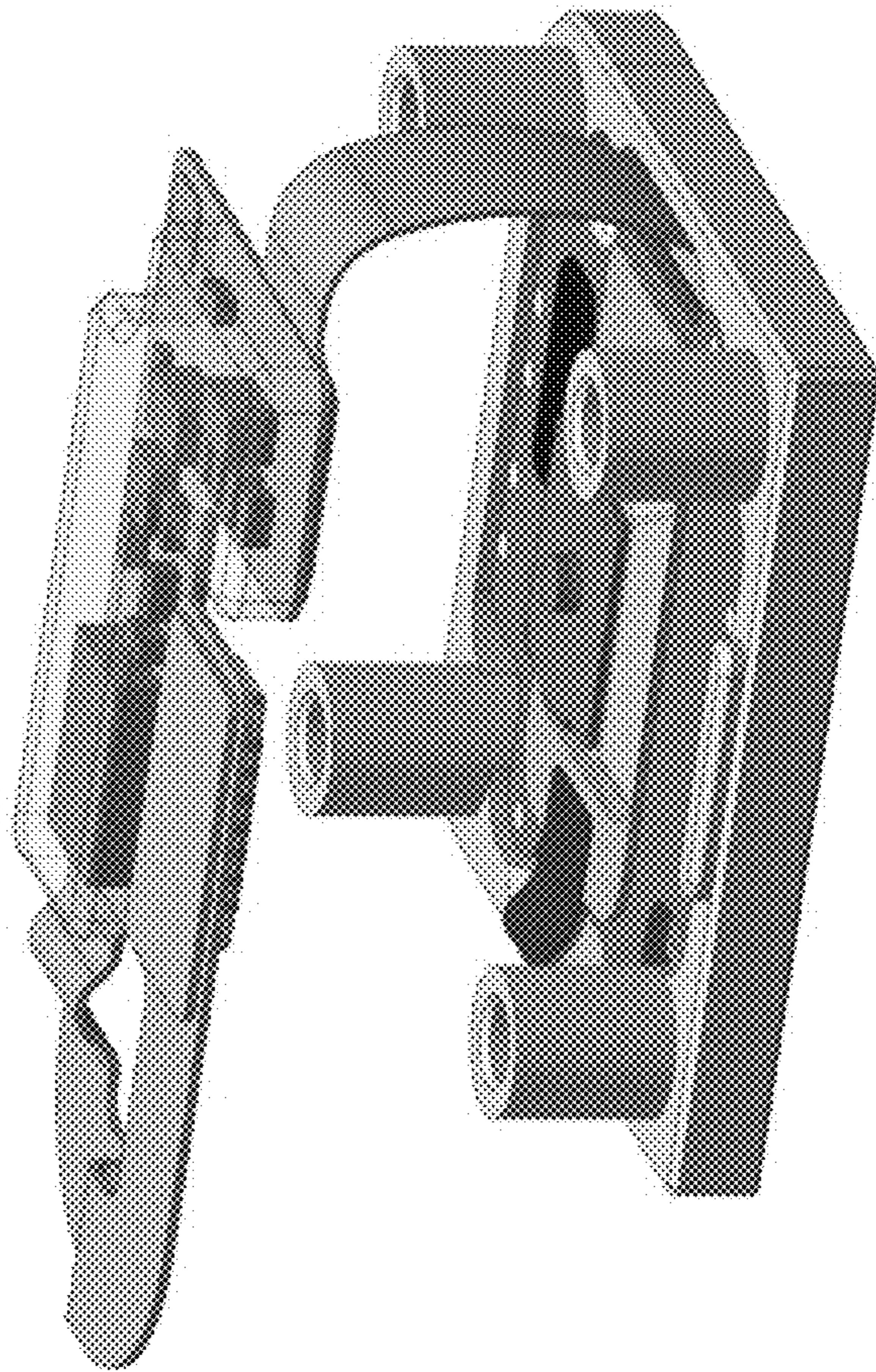


FIG. 2

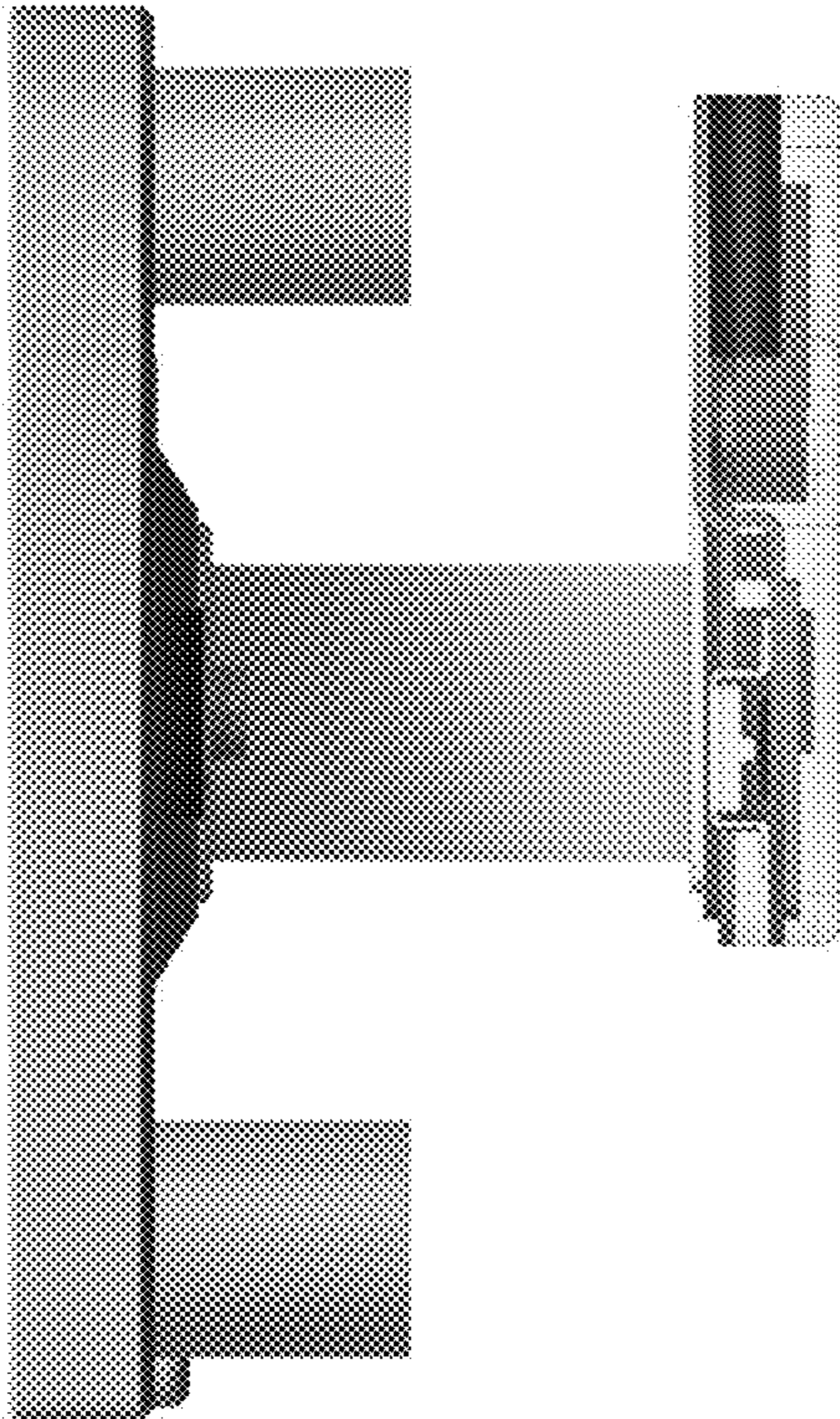


FIG. 3

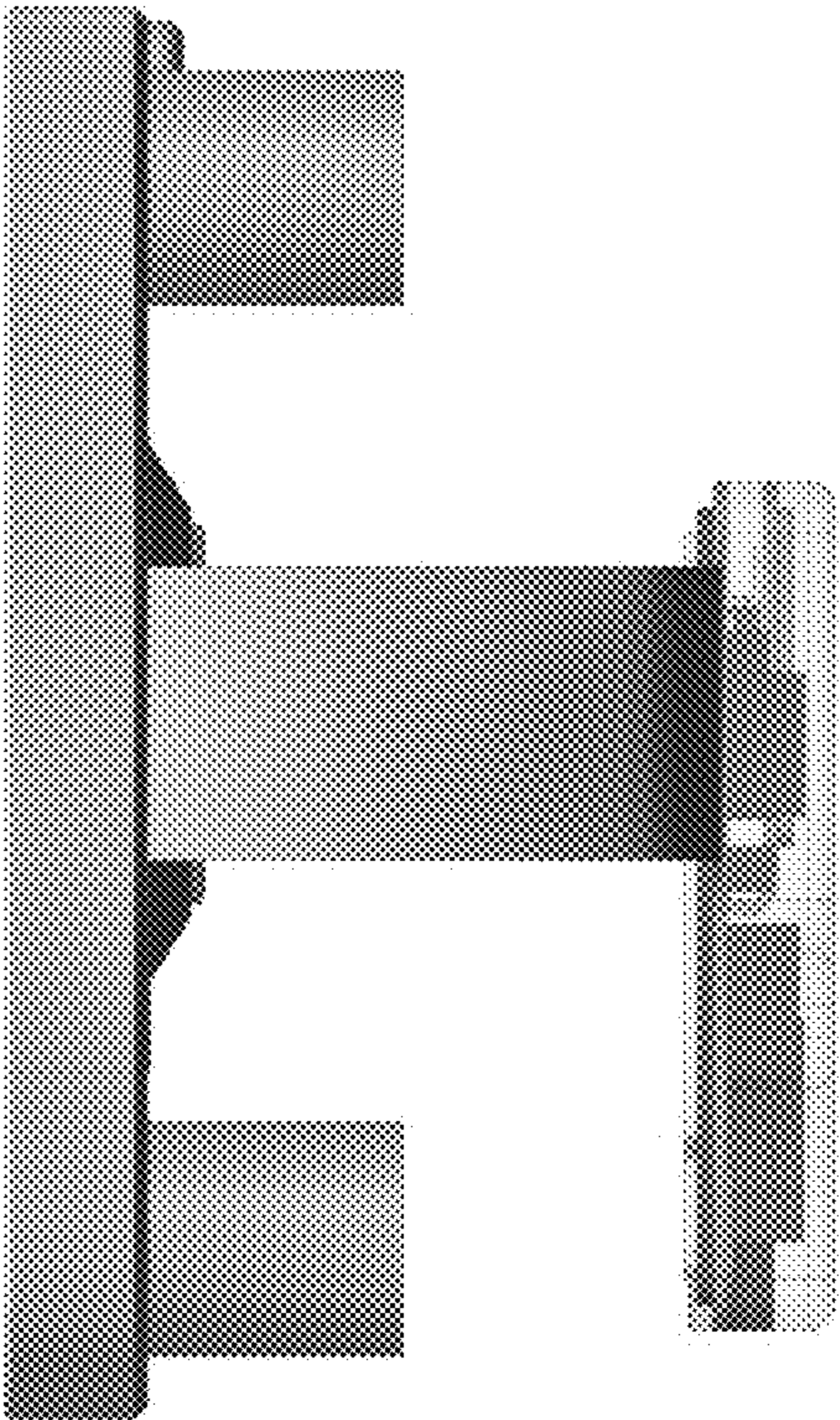


FIG. 4

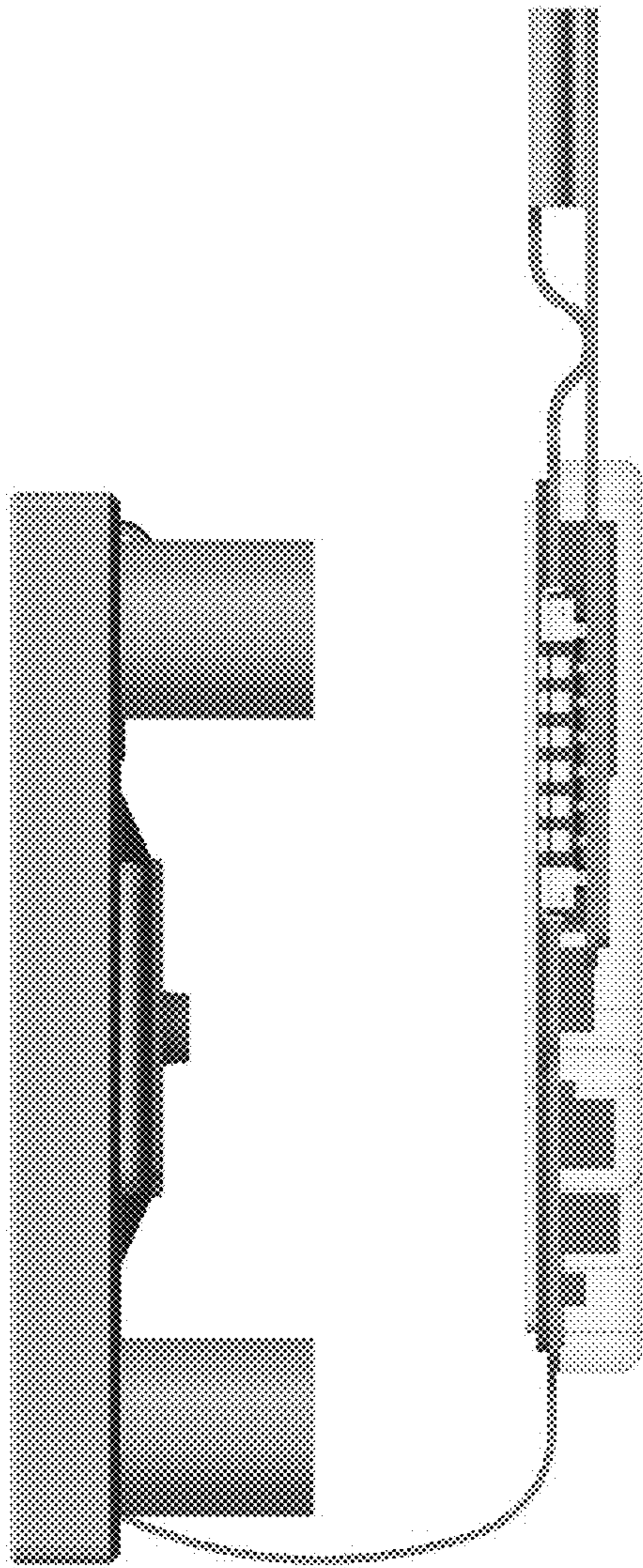


FIG. 5

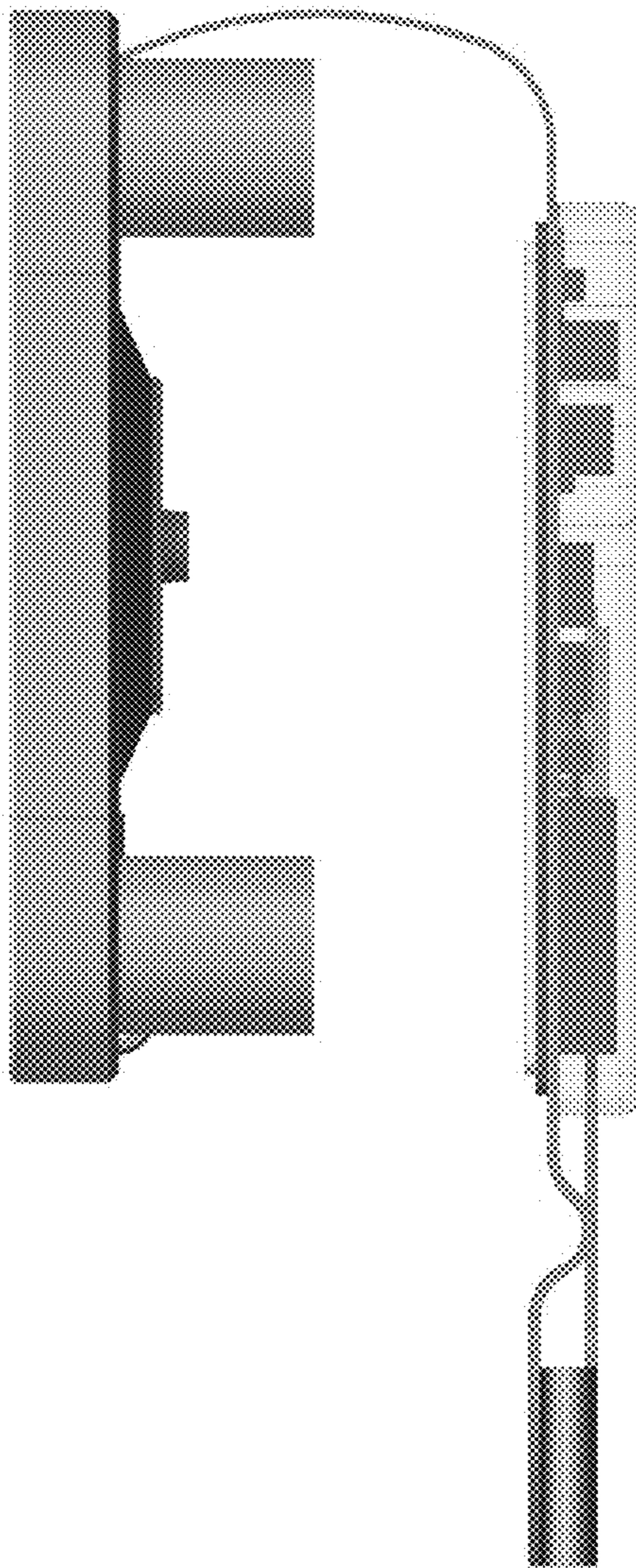


FIG. 6

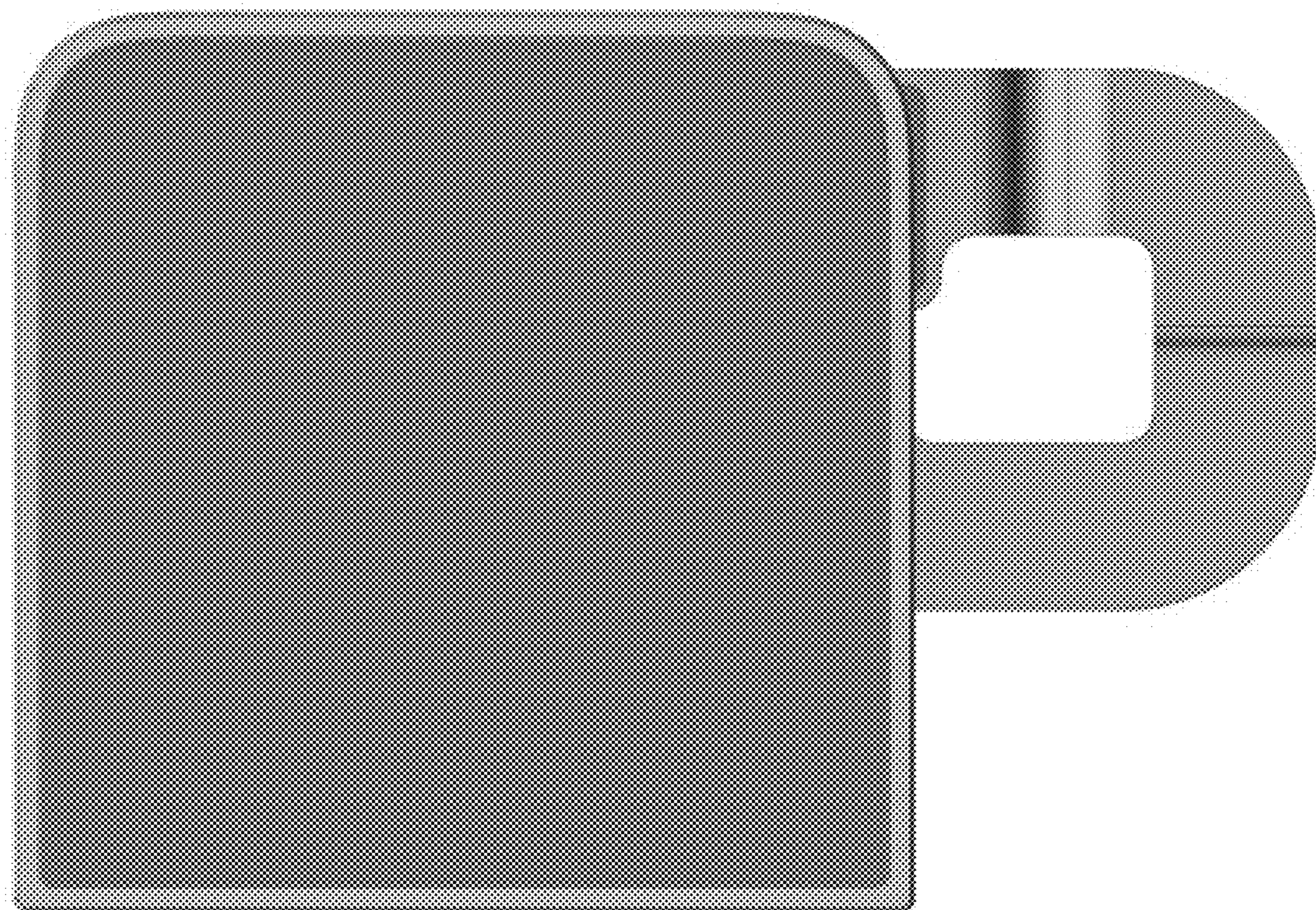


FIG. 7

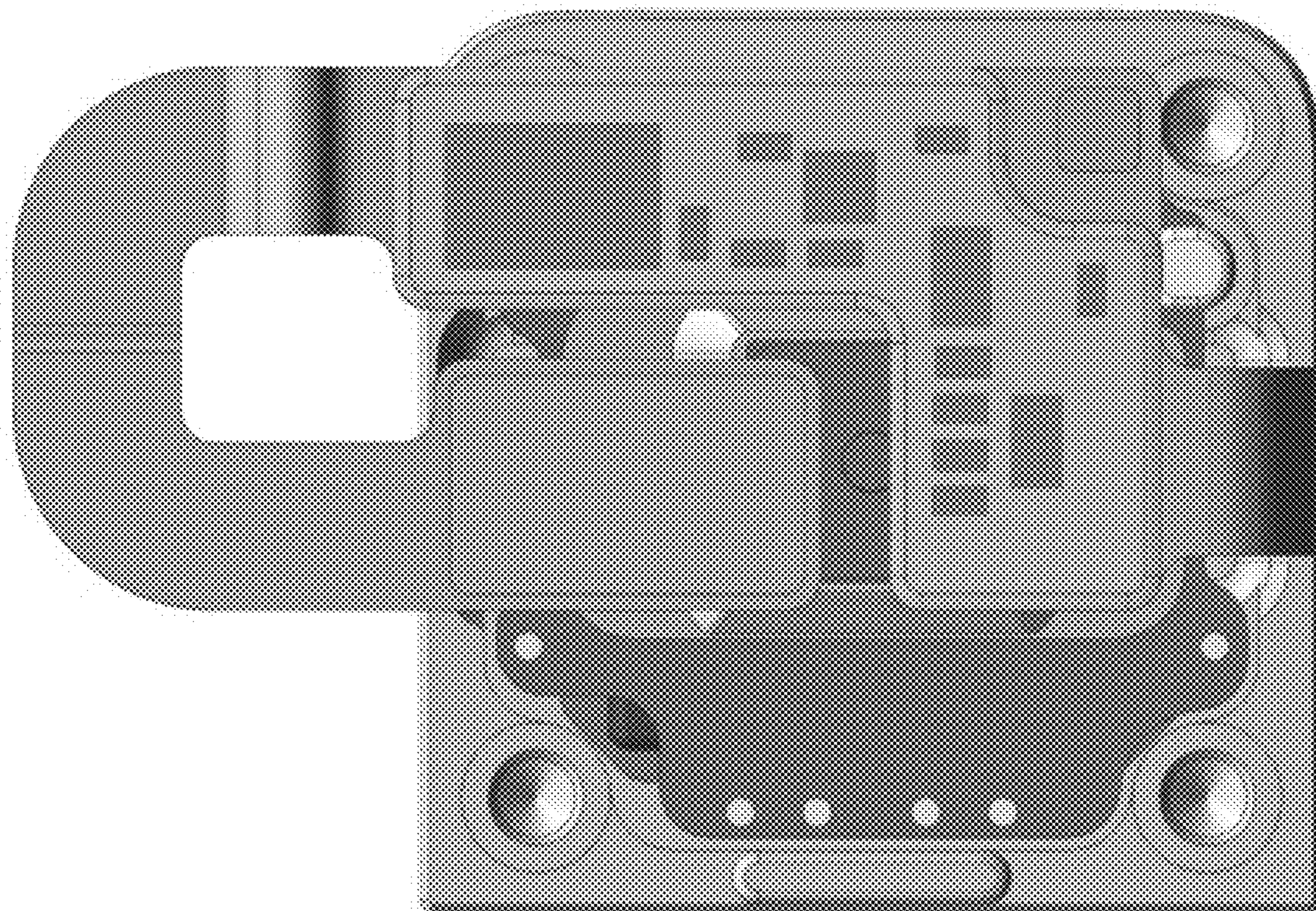


FIG. 8