



US00D841649S

(12) **United States Design Patent** (10) **Patent No.:** **US D841,649 S**  
**Choudhary et al.** (45) **Date of Patent:** **\*\* Feb. 26, 2019**

(54) **BENCHTOP IMAGE SCANNER**  
(71) Applicant: **General Electric Company**,  
Schenectady, NY (US)  
(72) Inventors: **Manish Uddhaorao Choudhary**,  
Bangalore (IN); **Mats Olsson**, Uppsala  
(SE)  
(73) Assignee: **GENERAL ELECTRIC COMPANY**,  
Schenectady, NY (US)

H04N 2201/00; H04N 2201/0094; G03G  
15/0142; G03G 15/605; G03G 15/602;  
B65H 5/26; B65H 5/30; B65H 7/00;  
B65H 2402/515; B65H 2402/31; B65H  
2511/20; B65H 2511/414; B65H  
2511/00194; B65H 2511/00198; B65H  
2511/00202; B65H 2511/00206; B65H  
2301/00; B65H 2220/04; B65H 3/5261;  
B65H 2513/42; B65H 2801/39; B65H  
2801/31

See application file for complete search history.

(\*\*) Term: **15 Years**

(56) **References Cited**

(21) Appl. No.: **29/602,695**

U.S. PATENT DOCUMENTS

(22) Filed: **May 2, 2017**

D196,756 S \* 10/1963 Regal ..... D18/36  
D200,536 S \* 3/1965 Holmes ..... D24/216  
D215,037 S \* 8/1969 Clark et al. .... D18/36  
D285,114 S \* 8/1986 Collister ..... D10/81  
D310,413 S \* 9/1990 Bigler ..... D24/216

(30) **Foreign Application Priority Data**

Nov. 2, 2016 (IN) ..... 288237

(Continued)

(51) **LOC (11) Cl.** ..... **14-02**

*Primary Examiner* — Susan Moon Lee

(52) **U.S. Cl.**  
USPC ..... **D14/421**

(74) *Attorney, Agent, or Firm* — Wood IP LLC

(58) **Field of Classification Search**  
USPC ..... D14/421–425; D18/40, 36–39, 41,  
D18/44–56; 235/462, 455, 470, 462.43,  
235/482, 483; 358/474, 486, 488, 496,  
358/498, 452, 449, 451, 453.1, 1.13;  
318/685, 696; 355/81, 75; 399/405, 367,  
399/379, 380; 382/217; 715/209, 222,  
715/226, 274; 400/613, 613.1–613.4,  
400/690.1–690.4, 691–694

(57) **CLAIM**

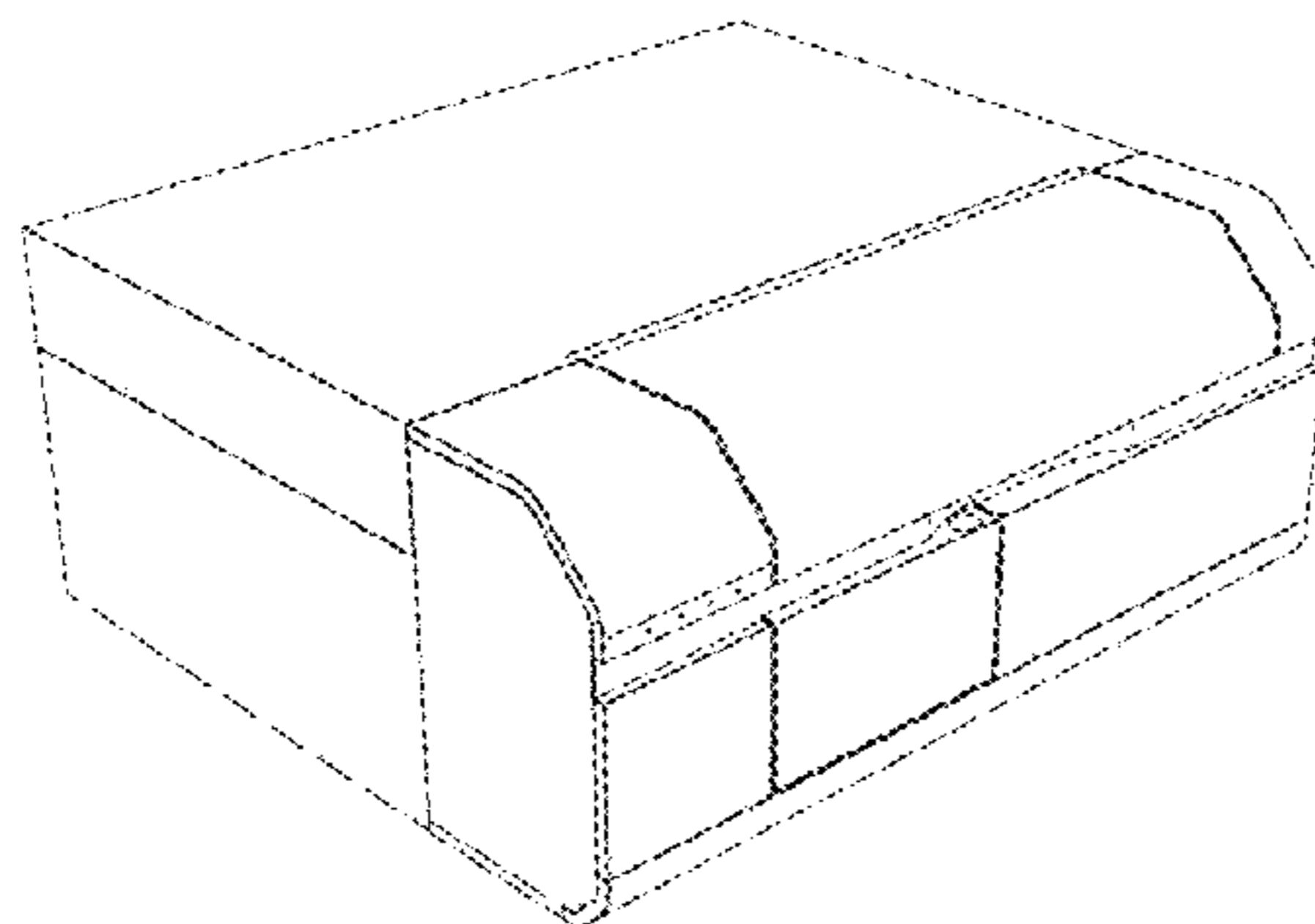
The ornamental design for a benchtop image scanner, as shown and described.

CPC ..... H04N 1/00; H04N 1/12; H04N 1/00013;  
H04N 1/00015; H04N 1/00018; H04N  
1/00026; H04N 1/00557; H04N 1/00564;  
H04N 1/00567; H04N 1/0057; H04N  
1/00572; H04N 1/00586; H04N 1/00588;  
H04N 1/00591; H04N 1/00594; H04N  
1/00596; H04N 1/00604; H04N 1/00519;  
H04N 1/00559; H04N 1/1013; H04N  
1/10; H04N 1/00551; H04N 1/00278;  
H04N 2201/0456; H04N 2201/0446;

**DESCRIPTION**

FIG. 1 is a front view of the benchtop image scanner according to the new design;  
FIG. 2 is a right side view thereof;  
FIG. 3 is a left side view thereof;  
FIG. 4 is a top view thereof;  
FIG. 5 is a bottom view thereof;  
FIG. 6 is a back view thereof;  
FIG. 7 is a view from the front and left thereof;  
FIG. 8 is a view from the front and right thereof;  
FIG. 9 is a view from the rear and right thereof; and,  
FIG. 10 is a view from the rear and right thereof.

**1 Claim, 10 Drawing Sheets**



(56)

## References Cited

## U.S. PATENT DOCUMENTS

D323,895 S \* 2/1992 Protzmann ..... D24/216  
D328,794 S \* 8/1992 Frenkel ..... D24/216  
D341,131 S \* 11/1993 Keeney ..... D14/420  
D344,974 S \* 3/1994 Clark ..... D18/54  
D369,825 S \* 5/1996 Yatabe ..... D18/36  
D381,756 S \* 7/1997 Ohnuma ..... D24/231  
D474,279 S \* 5/2003 Mayer ..... D24/231  
D508,999 S \* 8/2005 Fanning ..... D10/81  
6,962,821 B2 \* 11/2005 Danssaert ..... B01L 7/52  
422/552  
D517,554 S \* 3/2006 Yanagisawa ..... D14/421  
D523,153 S \* 6/2006 Akashi ..... D10/81  
D527,464 S \* 8/2006 Ina ..... D24/216  
D556,914 S \* 12/2007 Okamoto ..... D24/233  
D561,349 S \* 2/2008 Levin ..... D24/232  
D591,864 S \* 5/2009 Schmidt ..... D24/216  
D638,545 S \* 5/2011 Okawa ..... D24/186  
D653,764 S \* 2/2012 Macemon ..... D24/216  
D656,978 S \* 4/2012 Stoiakine ..... D16/131  
D670,402 S \* 11/2012 Shibata ..... D24/216  
D674,110 S \* 1/2013 Becher ..... D24/216  
D689,193 S \* 9/2013 Shinohara ..... D24/216  
D691,280 S \* 10/2013 Matoba ..... D24/216  
D692,155 S \* 10/2013 Matoba ..... D24/216  
D692,158 S \* 10/2013 Matoba ..... D24/216  
D699,724 S \* 2/2014 Isozaki ..... D14/421  
D702,852 S \* 4/2014 Podhasky ..... D24/216  
D707,843 S \* 6/2014 Meziere ..... D24/216  
D707,844 S \* 6/2014 Hilbey ..... D24/216  
D715,843 S \* 10/2014 Kawai ..... D16/131  
D766,761 S \* 9/2016 Klein ..... D10/81  
D768,312 S \* 10/2016 Choudhary ..... D24/216  
D782,058 S \* 3/2017 Wan ..... D24/216  
D782,690 S \* 3/2017 Kurihara ..... D24/216  
D818,146 S \* 5/2018 Tanaka ..... D24/216

\* cited by examiner

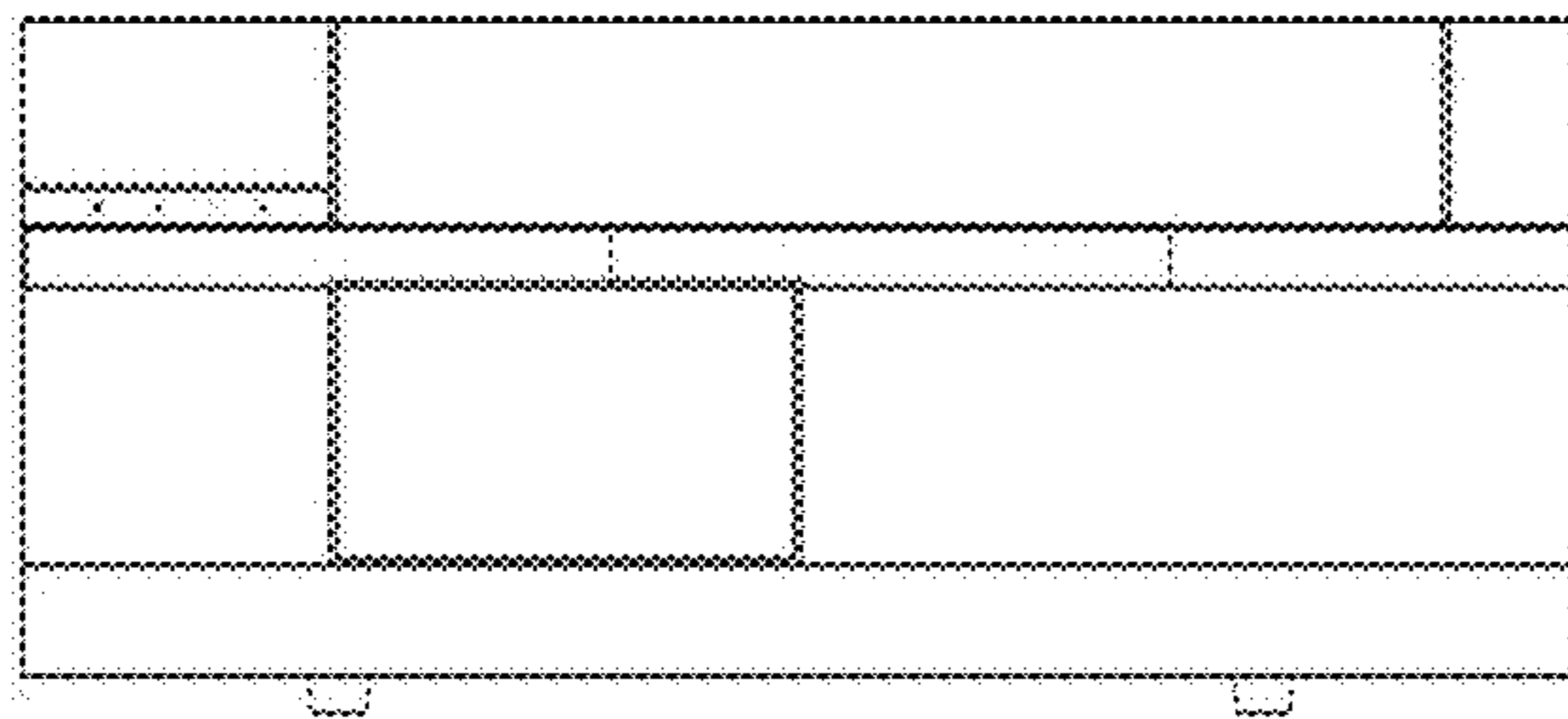


FIG. 1

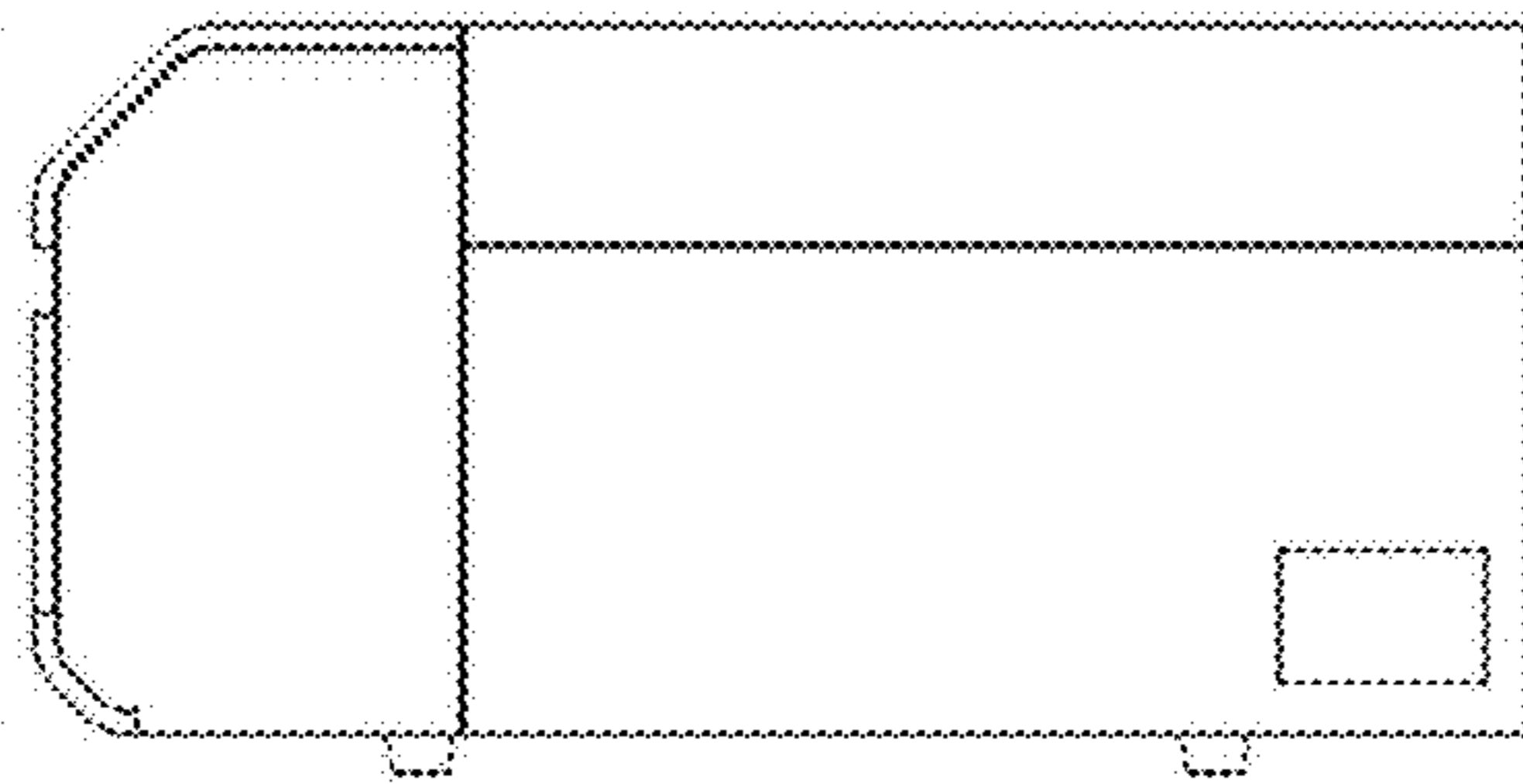


FIG. 2

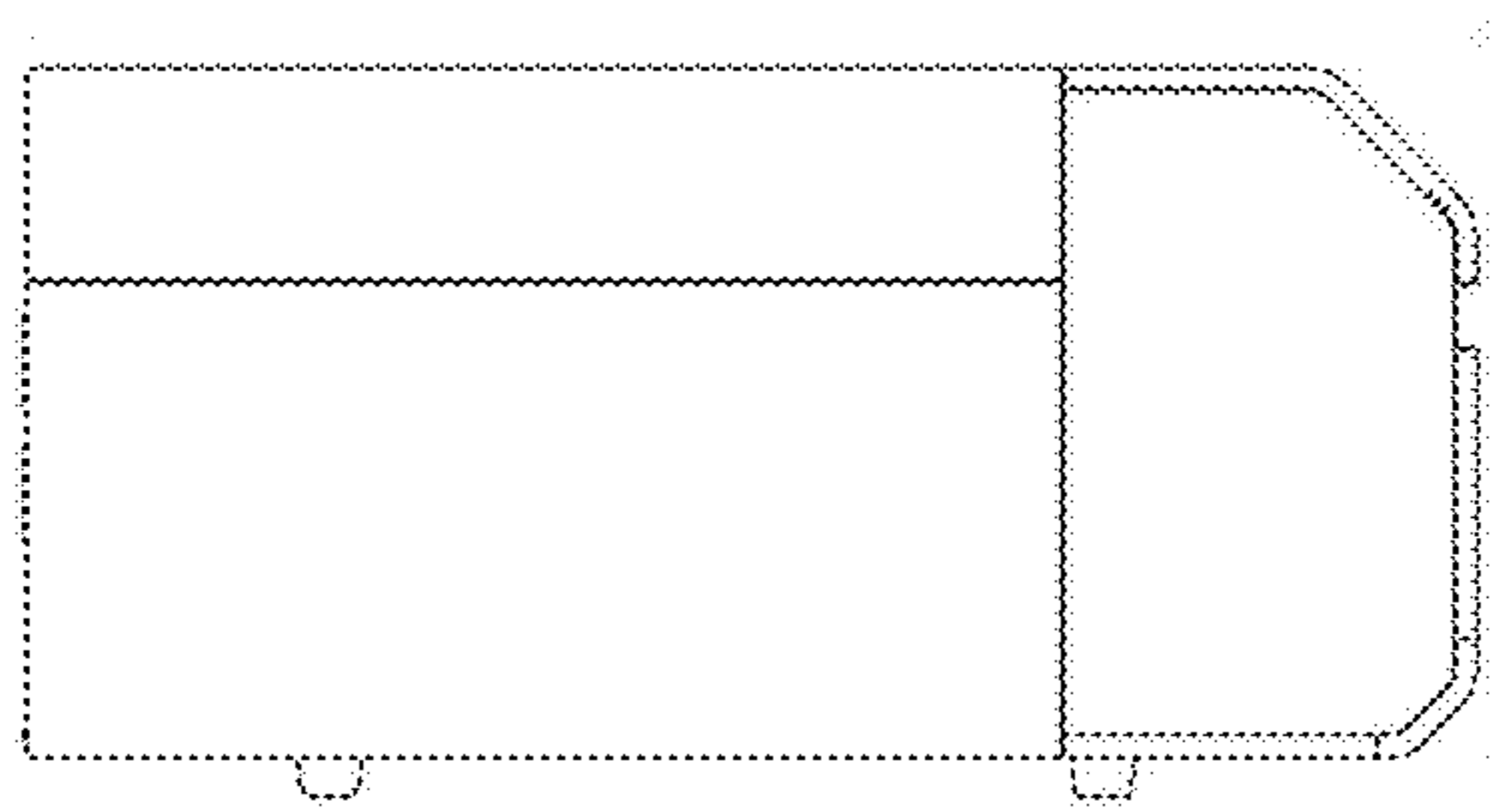


FIG. 3

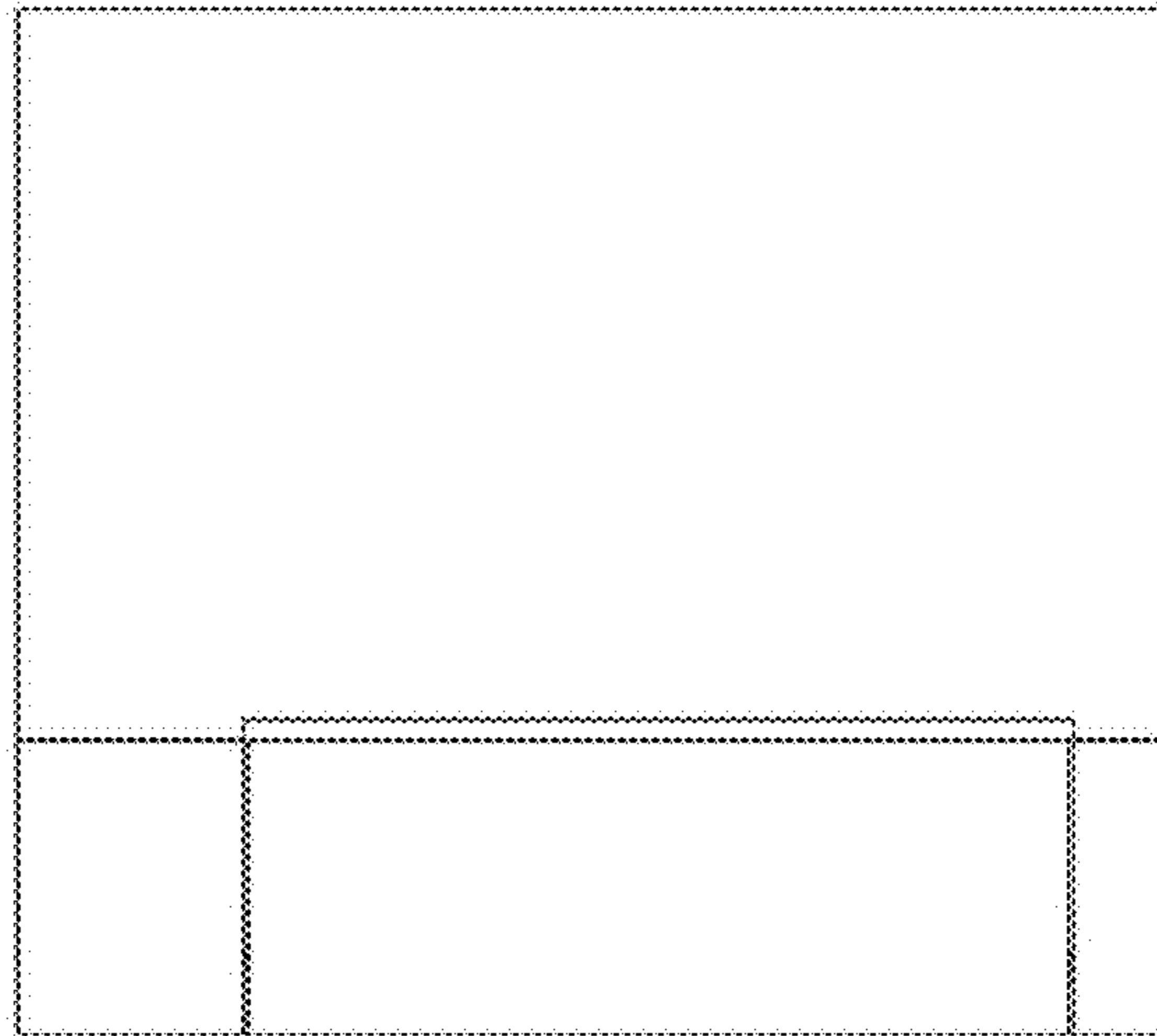


FIG. 4

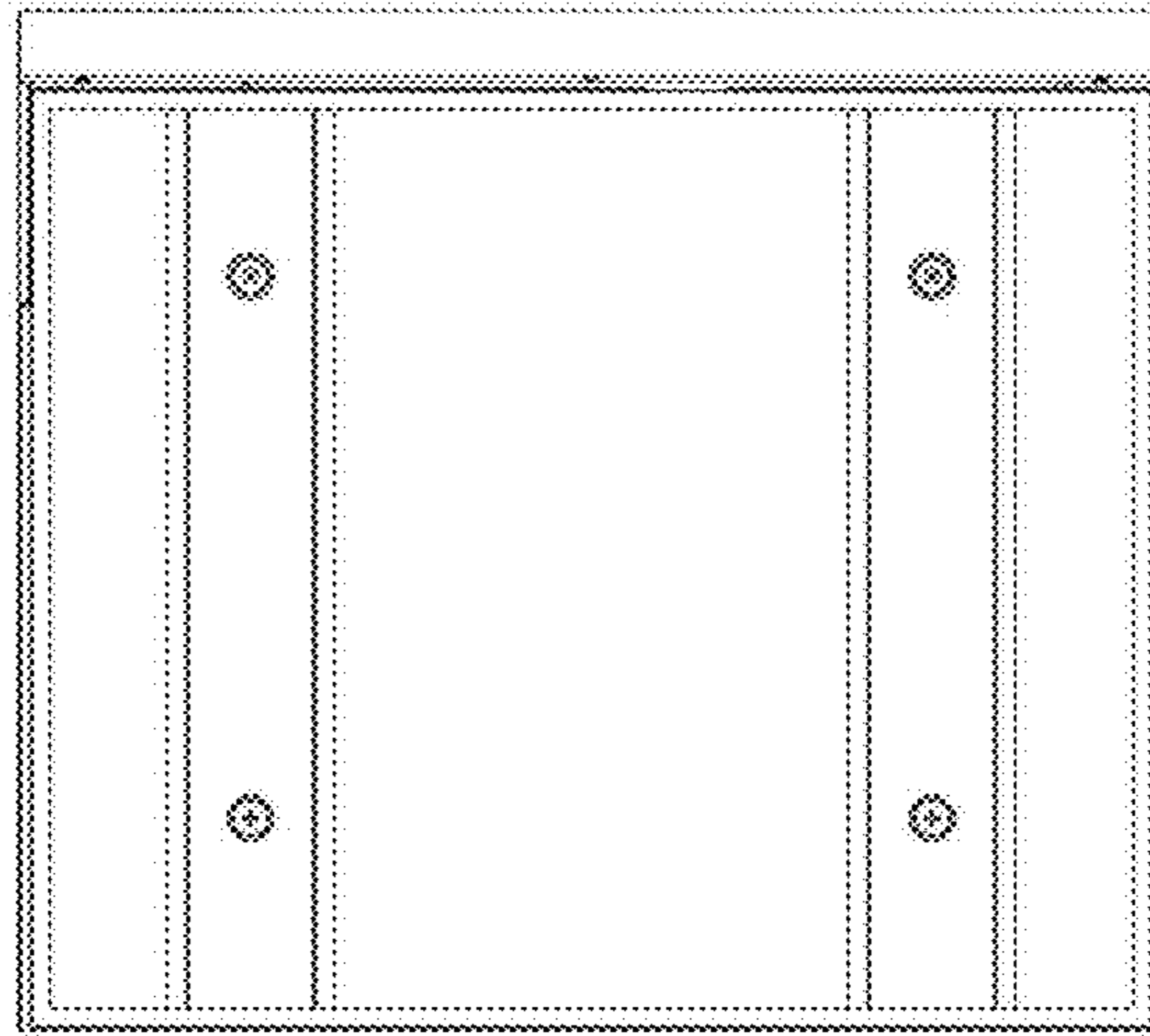


FIG. 5

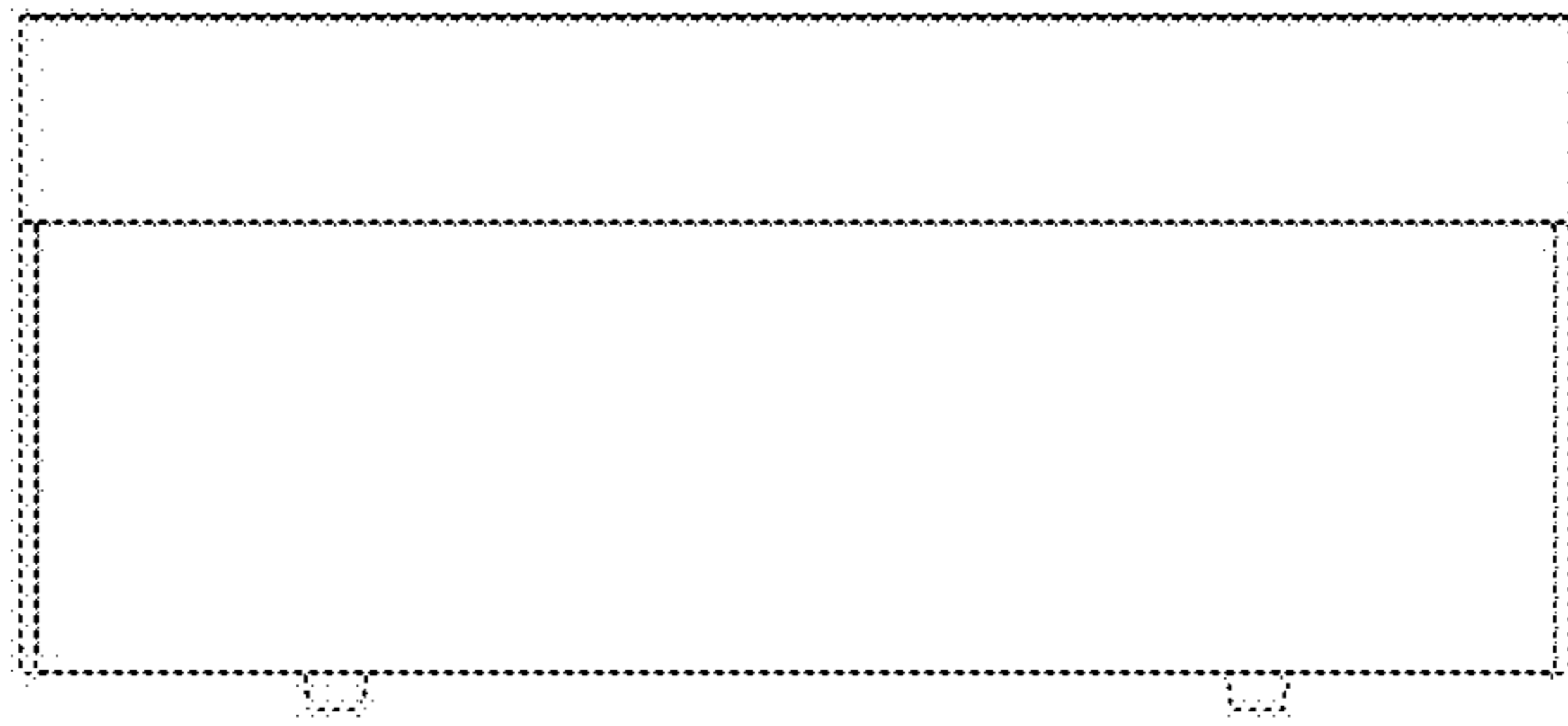


FIG. 6



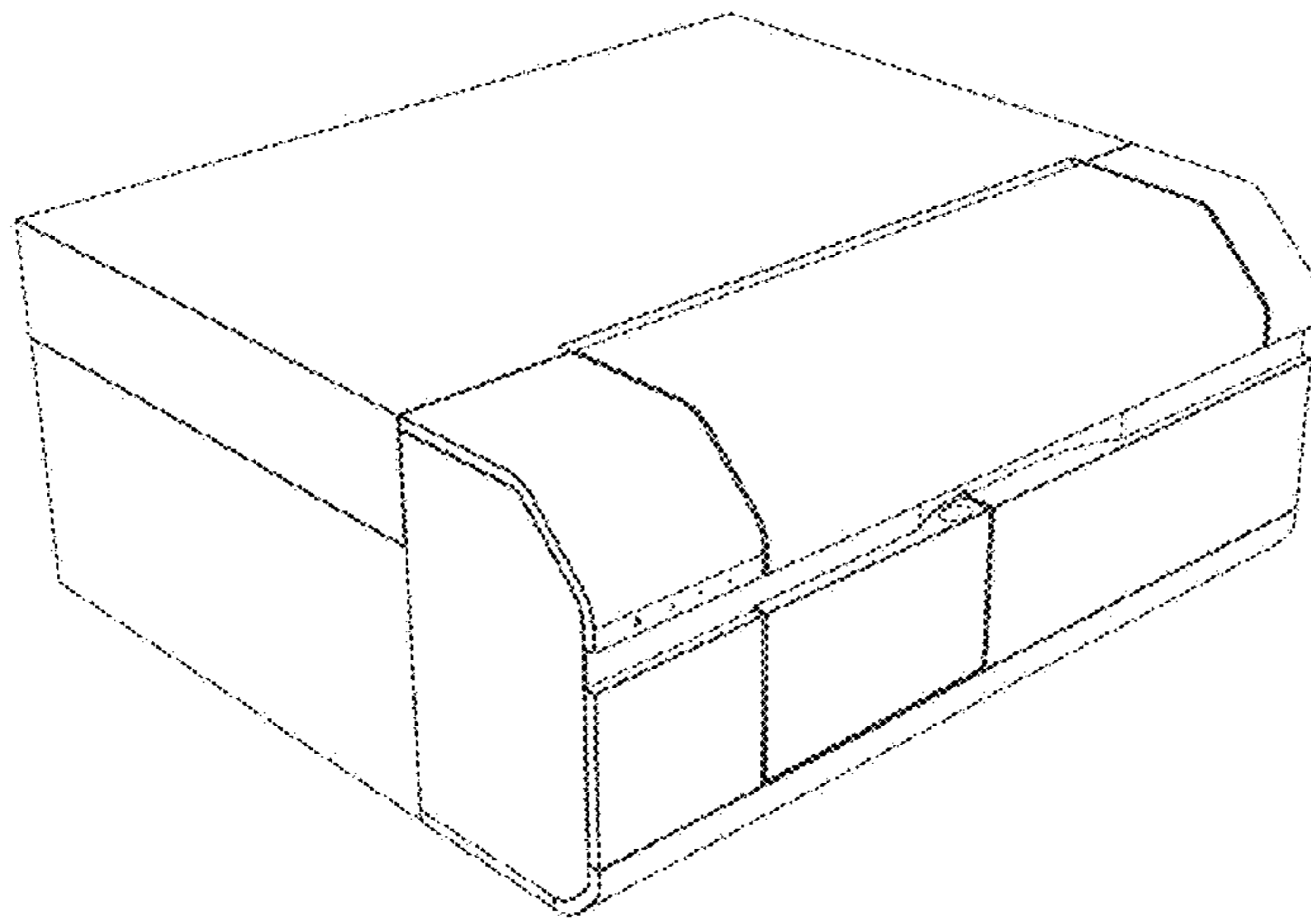


FIG. 7

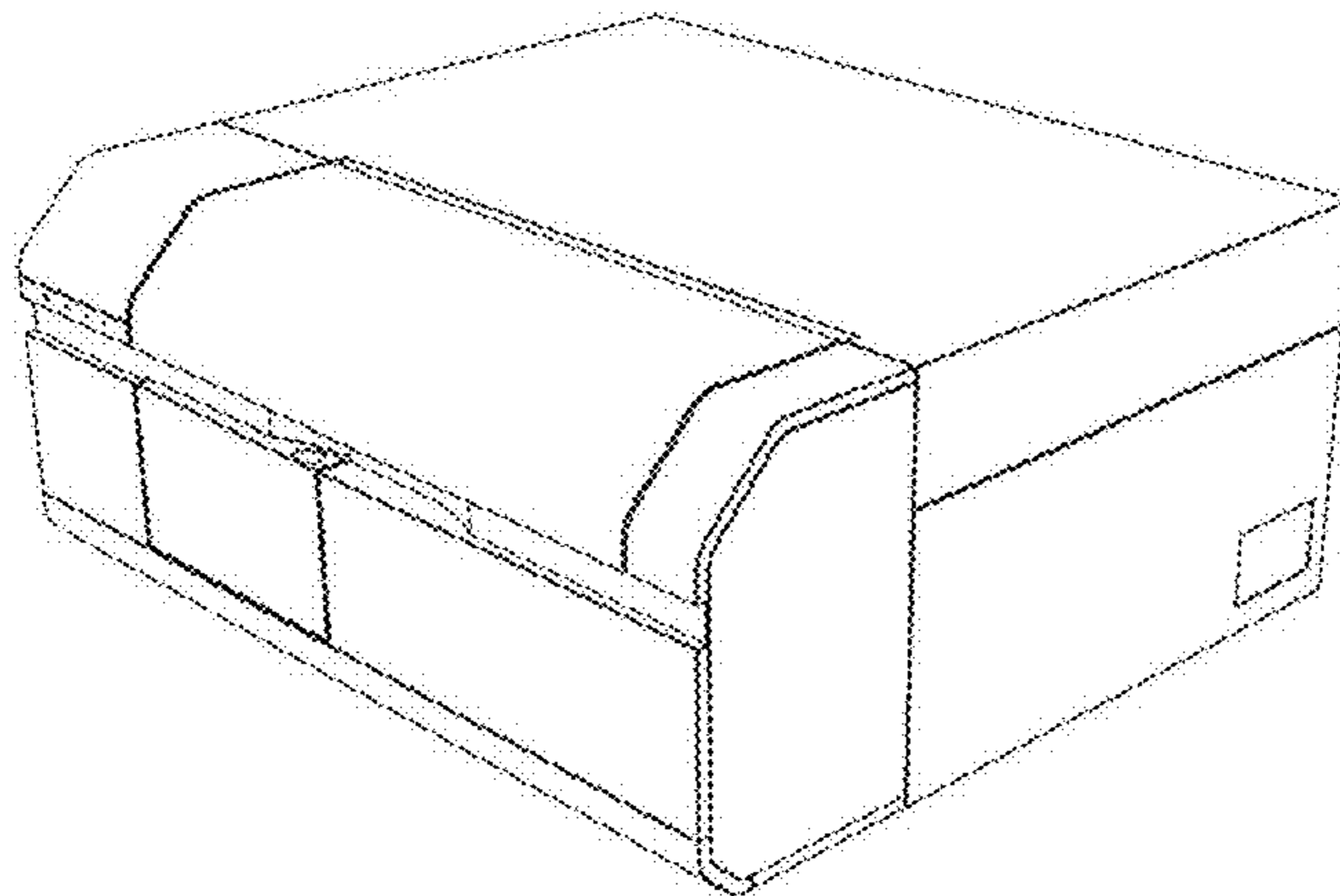


FIG. 8

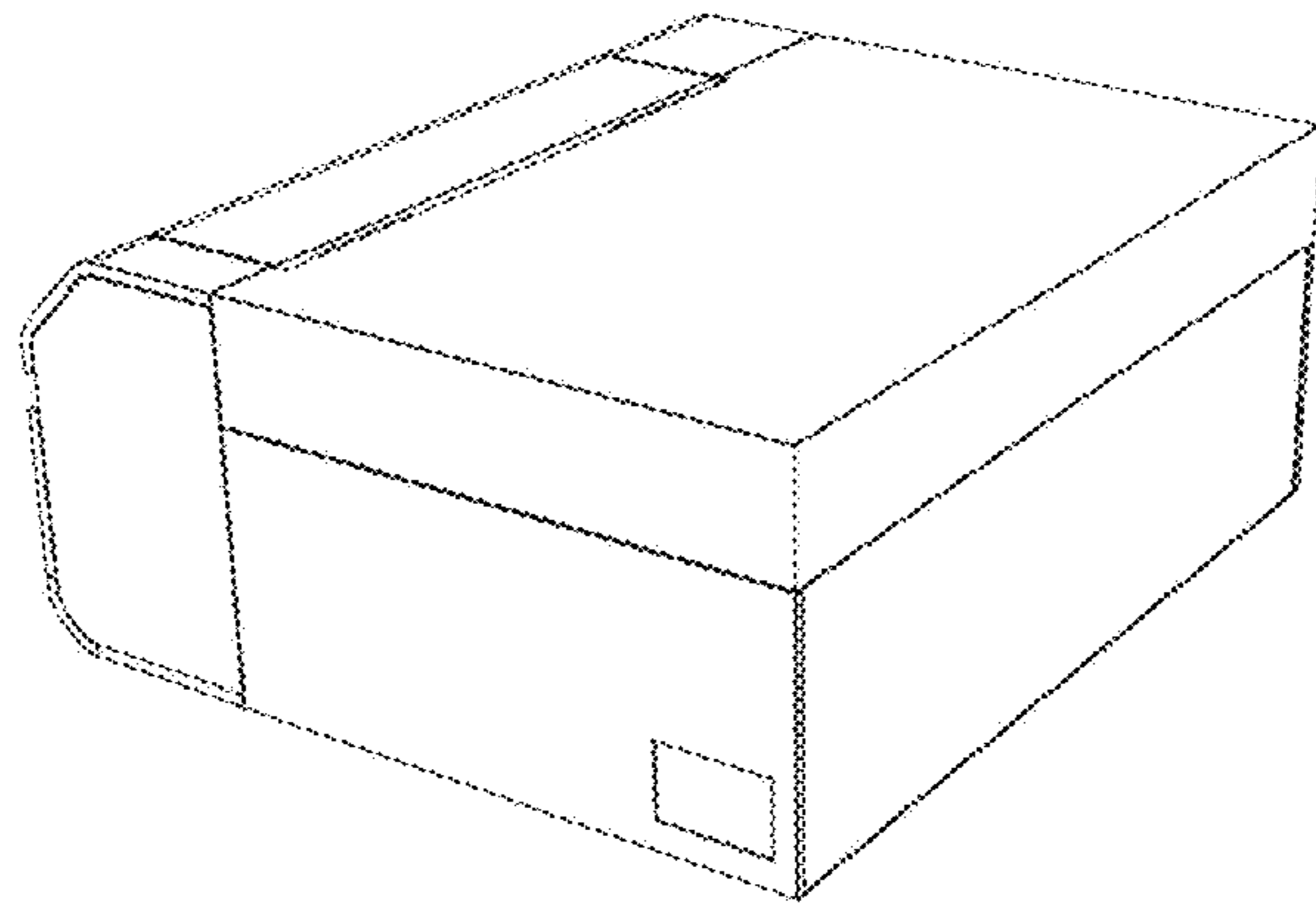


FIG. 9

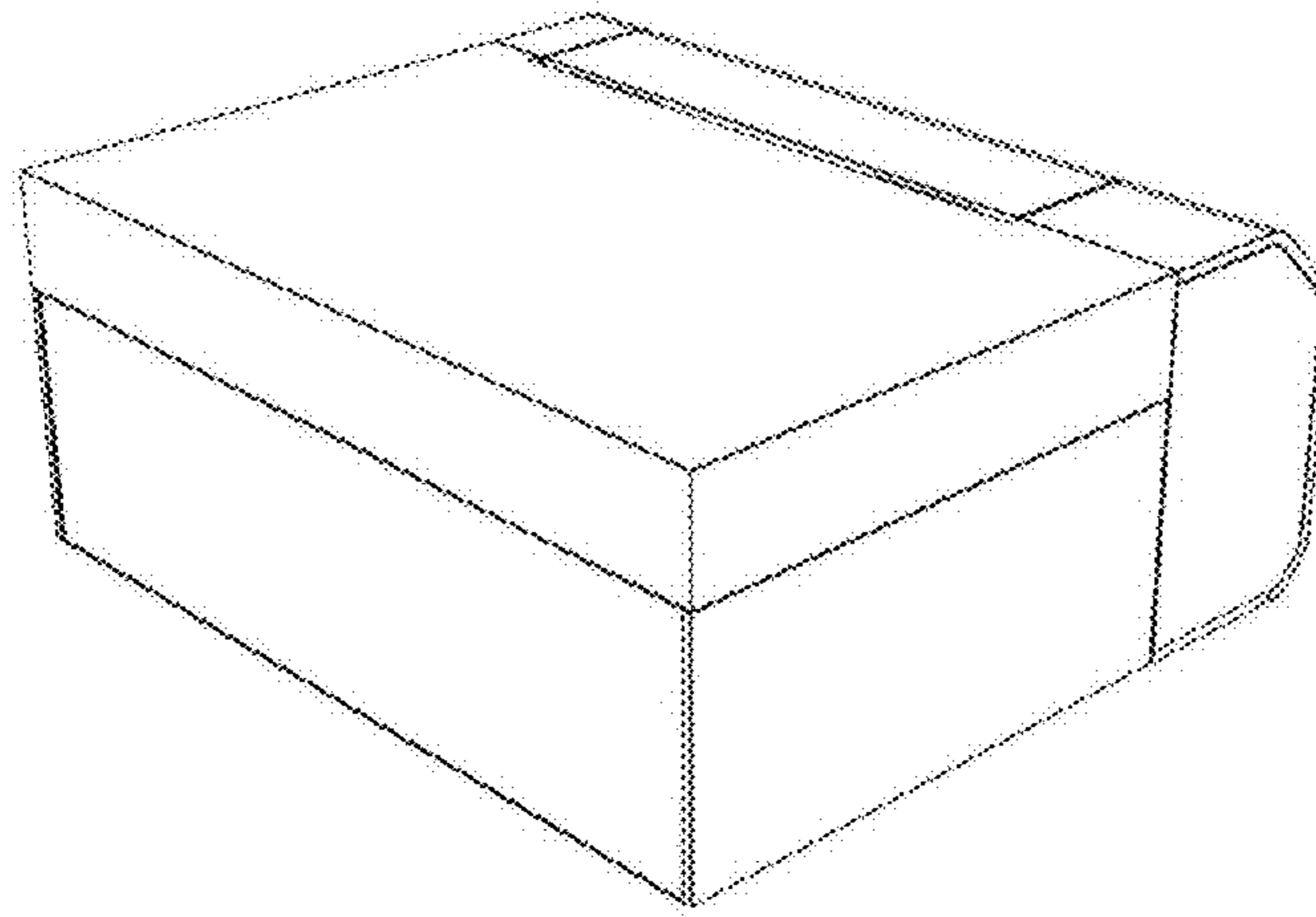


FIG. 10