



US00D841647S

(12) **United States Design Patent**
Sakai

(10) **Patent No.:** **US D841,647 S**

(45) **Date of Patent:** **** Feb. 26, 2019**

(54) **HEAD-MOUNTED DISPLAY**

(71) Applicant: **OLYMPUS CORPORATION**,
Hachioji-shi, Tokyo (JP)

(72) Inventor: **Koji Sakai**, Hachioji (JP)

(73) Assignee: **OLYMPUS CORPORATION**, Tokyo
(JP)

(**) Term: **15 Years**

(21) Appl. No.: **29/625,768**

(22) Filed: **Nov. 13, 2017**

(30) **Foreign Application Priority Data**

Jun. 15, 2017 (JP) 2017-012894

(51) **LOC (11) Cl.** **14-02**

(52) **U.S. Cl.**
USPC **D14/372**

(58) **Field of Classification Search**
USPC D14/372, 496, 432, 371, 125, 126, 129,
D14/299; D16/300-342; 351/158, 153,
351/144; 345/7-9, 905; 455/344;
348/115, 53, 121, 739
CPC G02B 27/017; G02B 27/0158; G02B
27/0161; G02B 27/0181; G02B 27/0185;
G02B 27/0189

See application file for complete search history.

(56) **References Cited**

U.S. PATENT DOCUMENTS

D704,705 S * 5/2014 Mehin D14/372
D718,304 S * 11/2014 Heinrich D14/372
D718,306 S * 11/2014 Mehin D14/372
D719,156 S * 12/2014 Lee D14/372
D725,102 S * 3/2015 Lee D14/372

D726,180 S * 4/2015 Roat D14/372
D731,484 S * 6/2015 Olsson D14/372
D733,137 S * 6/2015 Kawai D14/372
D735,193 S * 7/2015 Lee D14/372
D735,716 S * 8/2015 Lee D14/372
D761,795 S * 7/2016 Heinrich D14/372
D761,796 S * 7/2016 Heinrich D14/372
D765,076 S * 8/2016 Rochat D14/372
D769,873 S * 10/2016 Cazalet D14/372
D778,908 S * 2/2017 Mase D14/372
D795,865 S * 8/2017 Porter D14/372
D795,866 S * 8/2017 Porter D14/372
2009/0201460 A1 * 8/2009 Blum G02C 5/143
351/158
2015/0340010 A1 * 11/2015 Travers G06F 3/14
345/520

* cited by examiner

Primary Examiner — Austin Murphy

(74) *Attorney, Agent, or Firm* — Holtz, Holtz & Volek PC

(57) **CLAIM**

The ornamental design for a head-mounted display, as shown and described.

DESCRIPTION

FIG. 1 is a front, top and right side perspective view of a head-mounted display showing my new design; FIG. 2 is a rear, top and right side perspective view thereof; FIG. 3 is a front elevational view thereof; FIG. 4 is a rear elevational view thereof; FIG. 5 is a top plan view thereof; FIG. 6 is a bottom plan view thereof; FIG. 7 is a right side elevational view thereof; and, FIG. 8 is a left side elevational view thereof.

The broken lines depict portions of a head-mounted display in which the design is embodied and form no part of the claimed design.

1 Claim, 4 Drawing Sheets

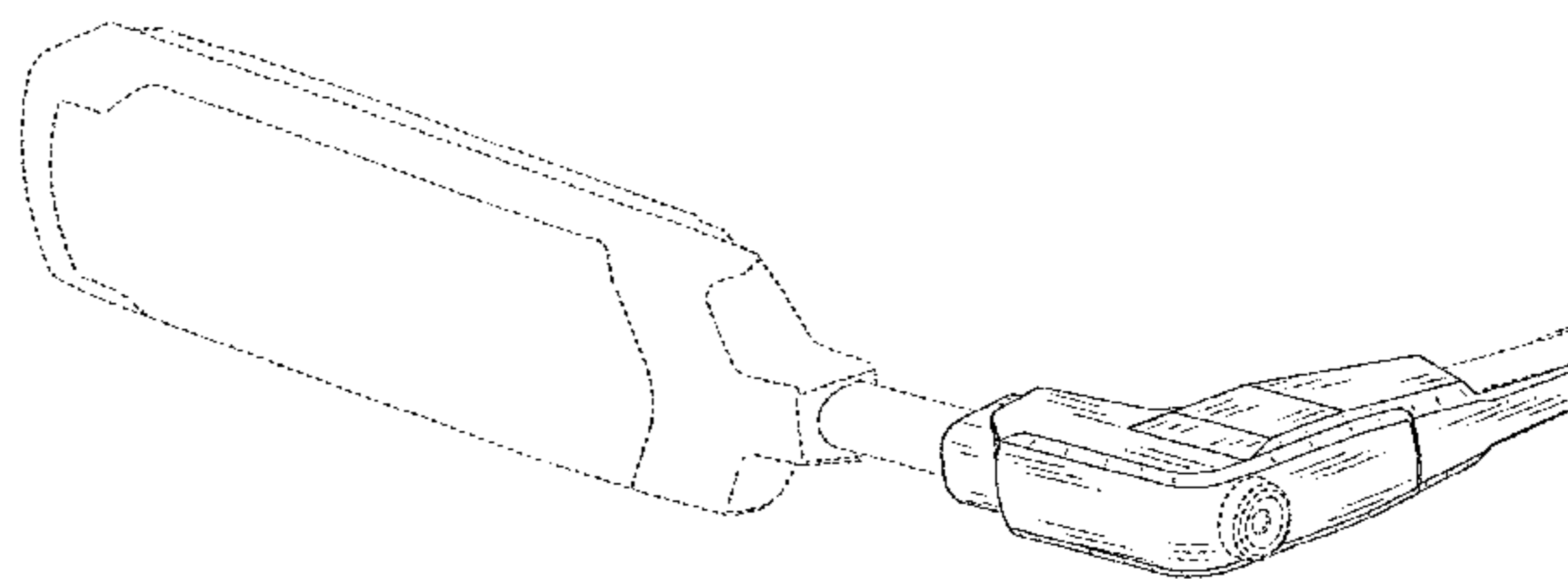
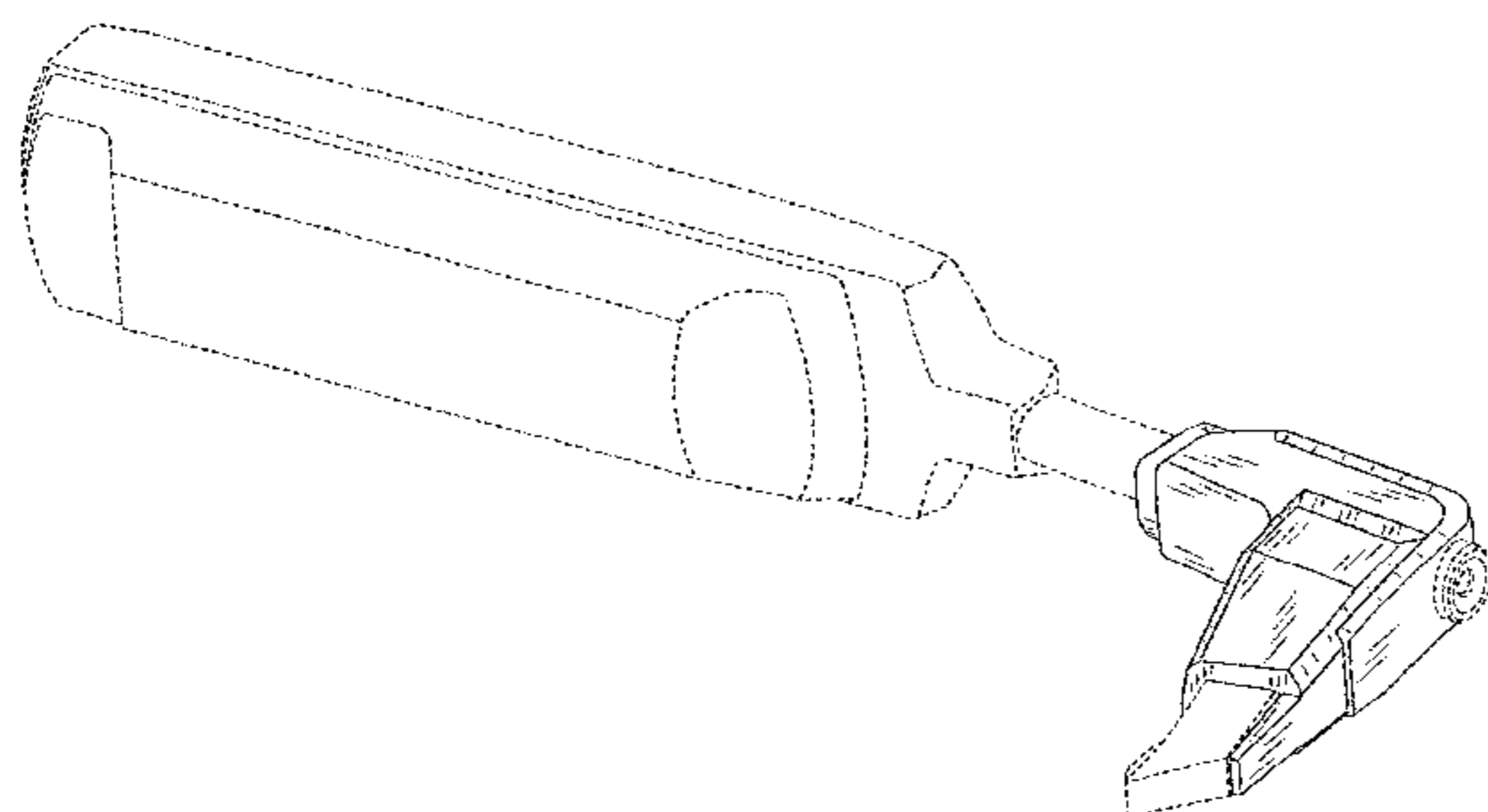


FIG.1

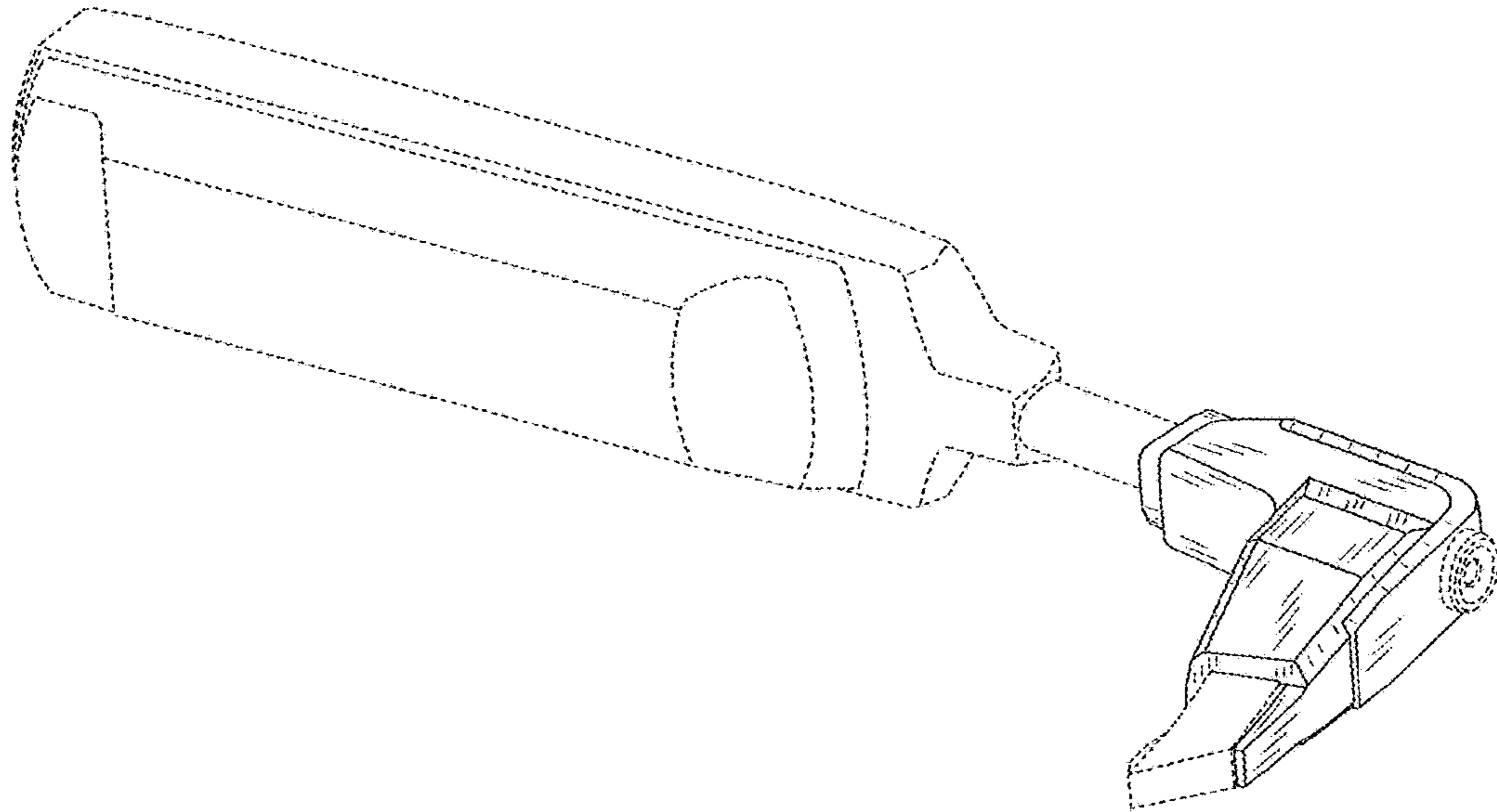


FIG.2

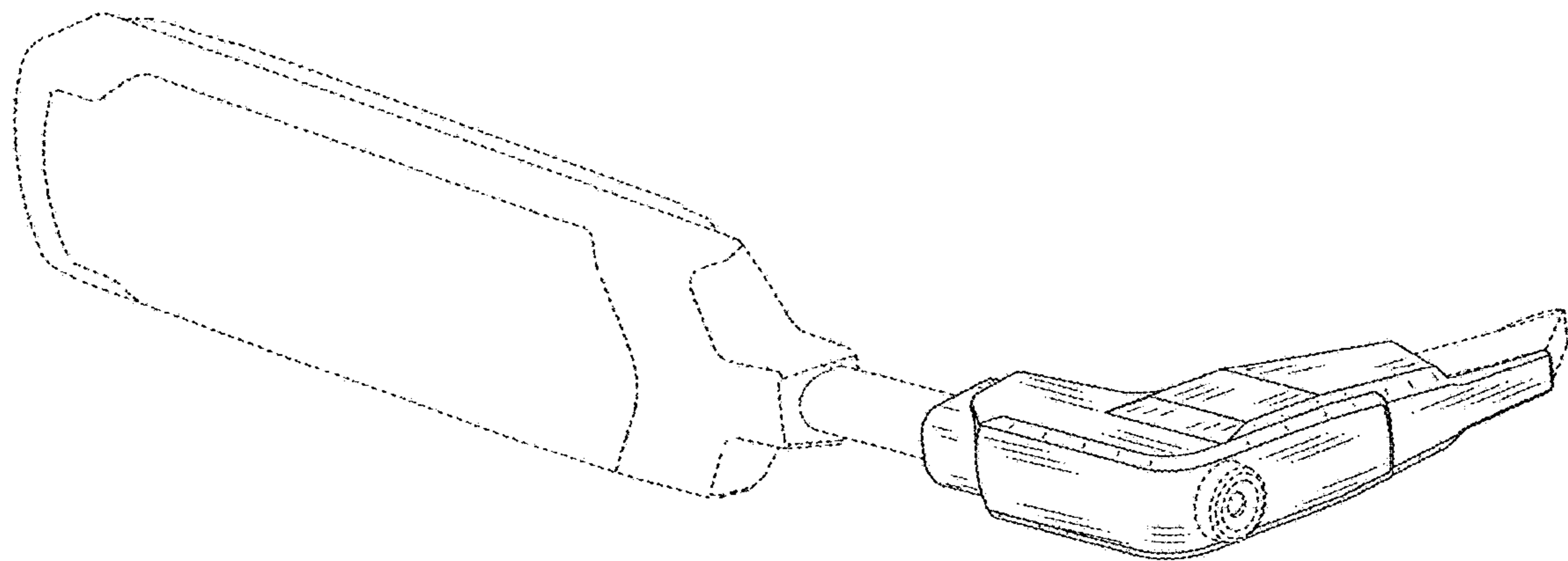


FIG.3

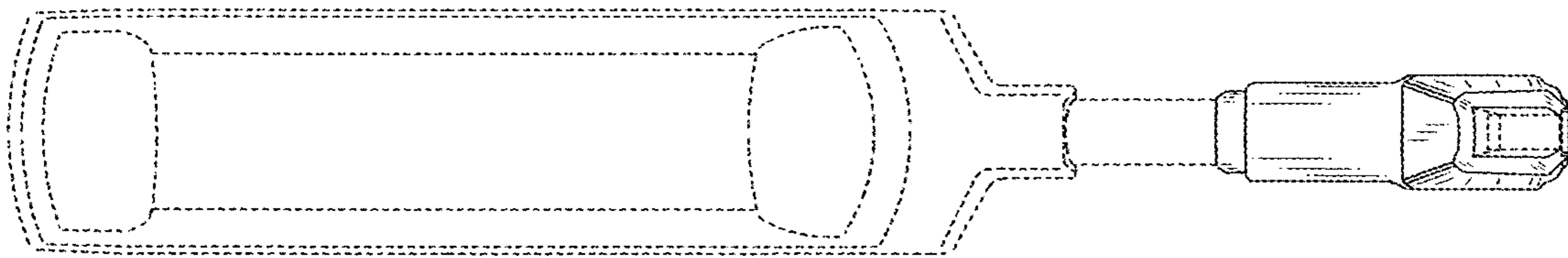


FIG.4

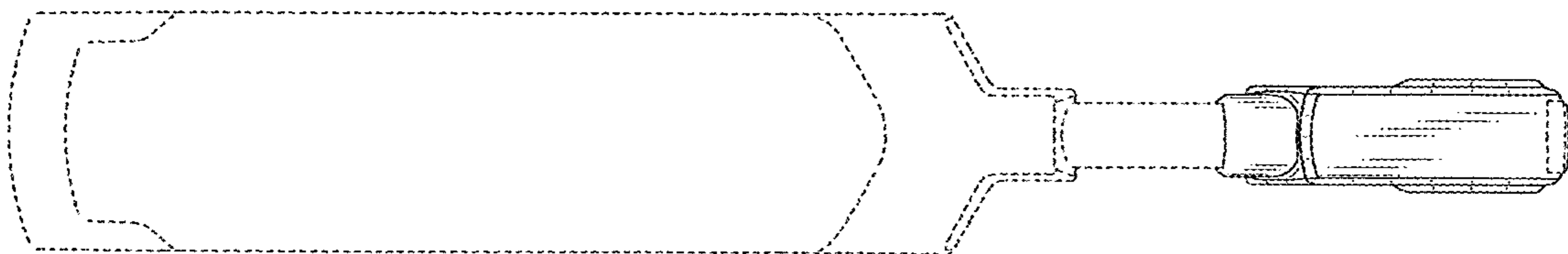


FIG.5

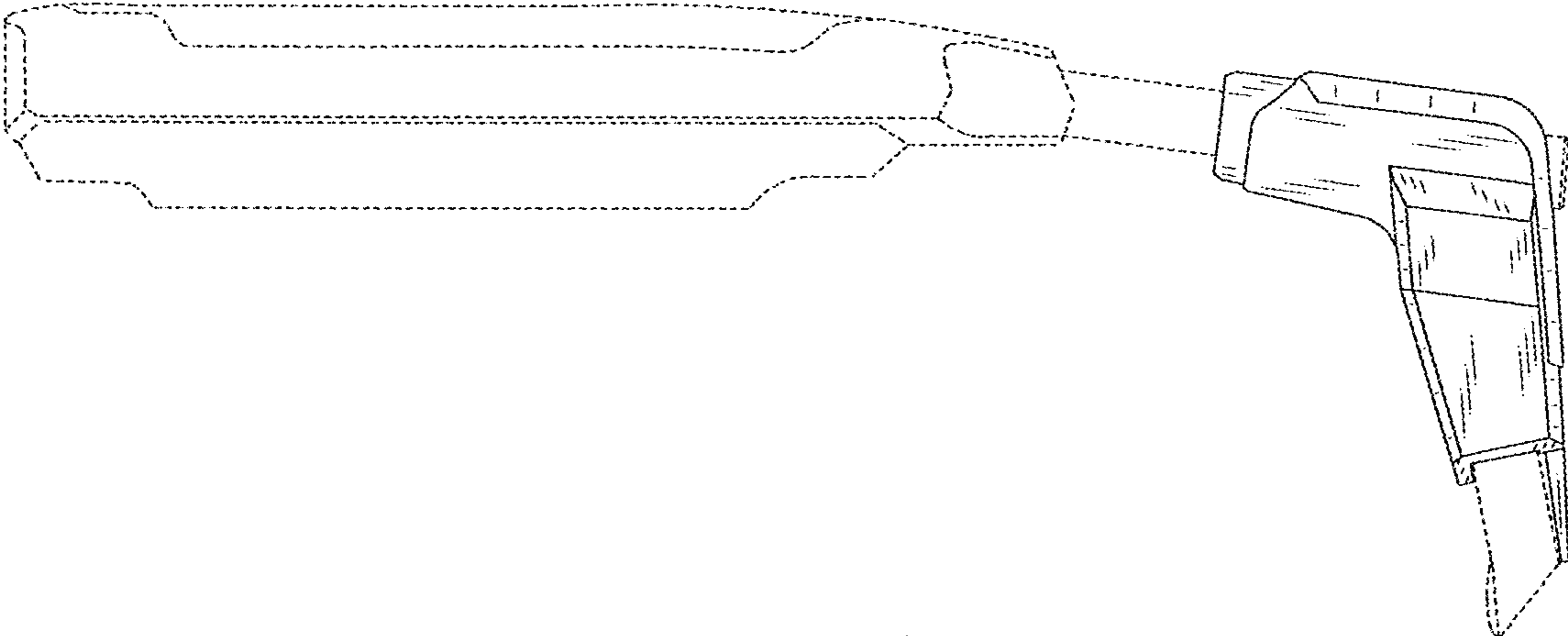


FIG.6

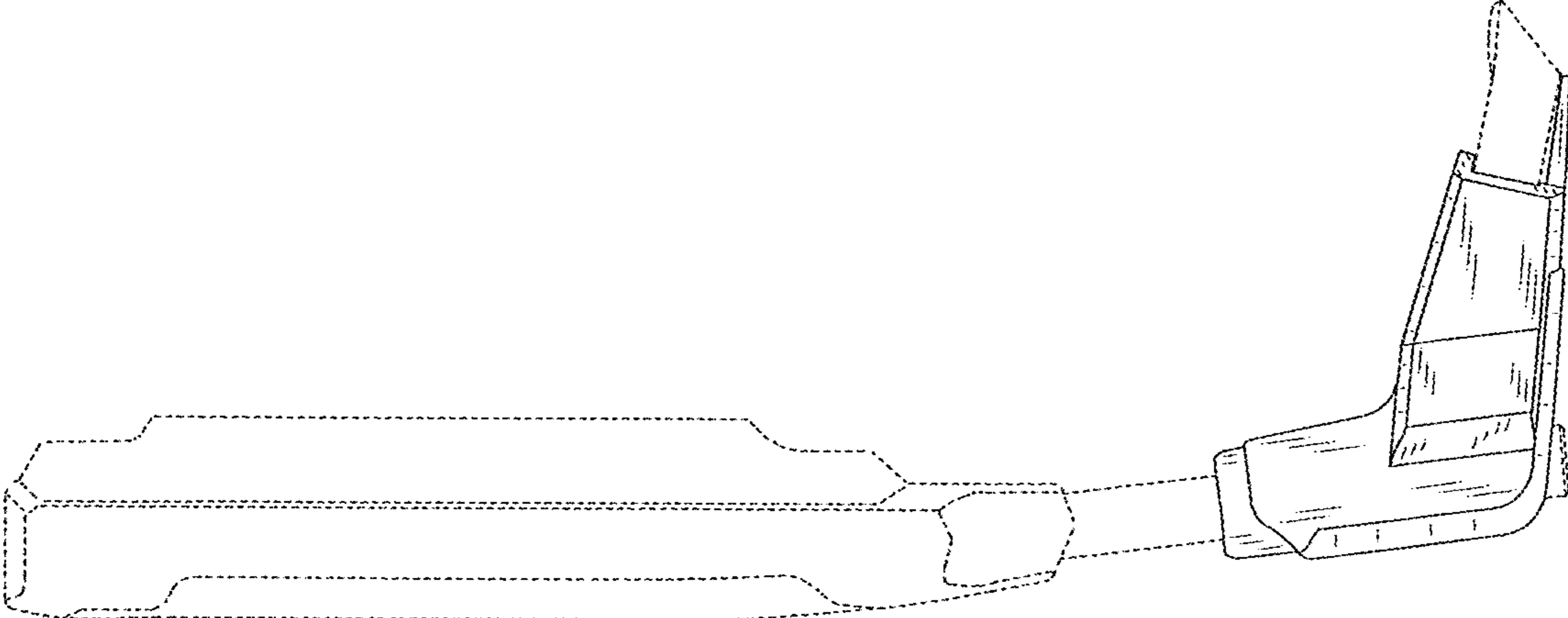


FIG.7

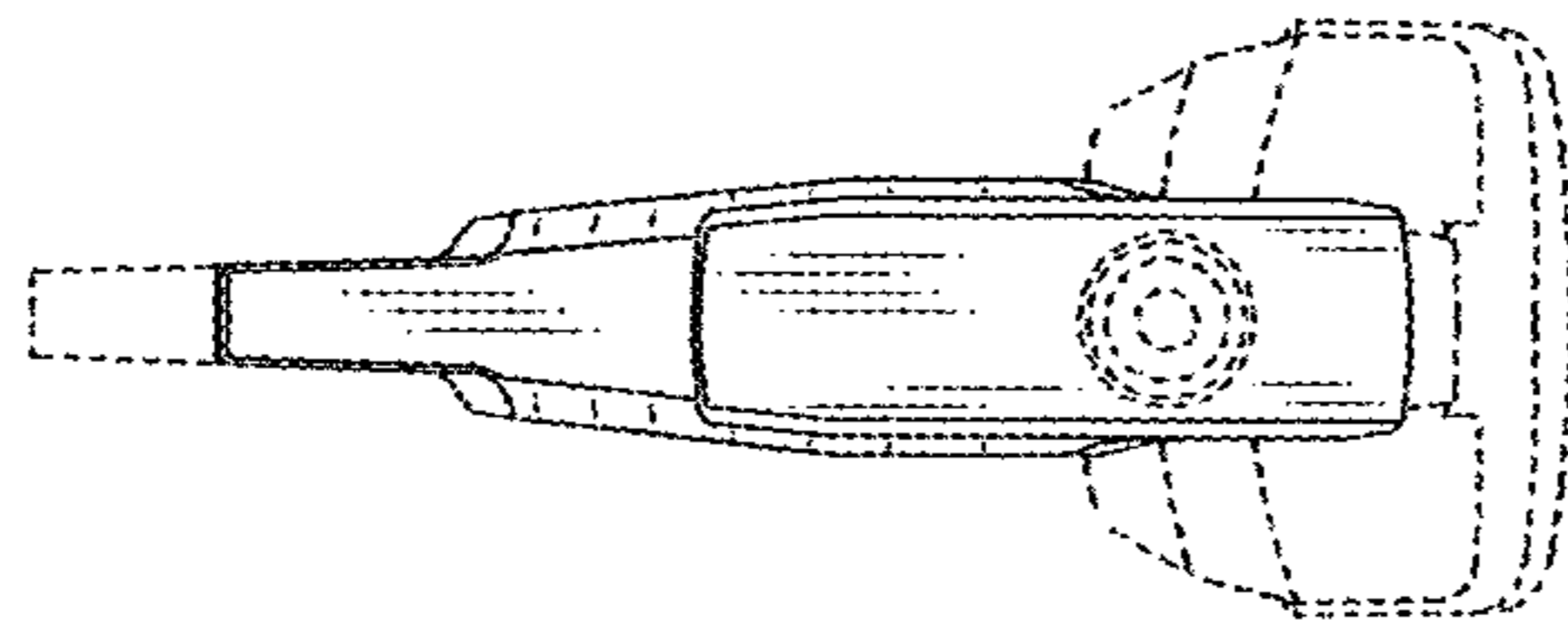


FIG.8

