



US00D841646S

(12) **United States Design Patent**
Son et al.

(10) **Patent No.:** **US D841,646 S**
(45) **Date of Patent:** **** Feb. 26, 2019**

(54) **ELECTRONIC DEVICE**

- (71) Applicant: **Samsung Electronics Co., Ltd.**,
Suwon-si (KR)
- (72) Inventors: **Hyun-Keun Son**, Seoul (KR);
Jun-Won Lee, Seongnam-si (KR);
Jang-Woon Kim, Seoul (KR);
Chung-Ha Kim, Seoul (KR); **Jae-Ho**
Baik, Yongin-Si (KR); **Seung-Ho Jang**,
Seongnam-si (KR)
- (73) Assignee: **Samsung Electronics Co., Ltd.**,
Suwon-si (KR)
- (**) Term: **15 Years**

(21) Appl. No.: **29/617,105**

(22) Filed: **Sep. 12, 2017**

(30) **Foreign Application Priority Data**

Mar. 14, 2017 (KR) 30-2017-0011873

(51) **LOC (11) Cl.** **14-02**

(52) **U.S. Cl.**
USPC **D14/345**; D14/138 R

(58) **Field of Classification Search**
USPC D14/341–347, 125–134, 137, 138 R,
D14/138 AA, 138 AB, 138 C, 138 G, 147,
(Continued)

(56) **References Cited**

U.S. PATENT DOCUMENTS

D588,126 S * 3/2009 Chiang D14/345
D601,992 S * 10/2009 Choi D14/138 AB
(Continued)

FOREIGN PATENT DOCUMENTS

EM 002220996-0002 6/2013
EM 002234666-0001 7/2013
(Continued)

OTHER PUBLICATIONS

ZTE Axon M with two displays, a new trend in smartphones?,
posted Oct. 18, 2017, [retrieved Aug. 23, 2018]. Retrieved from
Internet, < URL: <http://dunyanews.tv/en/Technology/410348-ZTE-Axon-M-with-two-displays-could-be-a-new-trend-in-smartphone-industry> >.*

(Continued)

Primary Examiner — Barbara Fox
Assistant Examiner — Kristin E Reed
(74) *Attorney, Agent, or Firm* — NSIP Law

(57) **CLAIM**

We claim the ornamental design for an electronic device, as
shown and described.

DESCRIPTION

FIG. 1 is a front perspective view of an electronic device
showing our new design;
FIG. 2 is a front elevational view thereof;
FIG. 3 is a rear elevational view thereof;
FIG. 4 is a left-side elevational view thereof;
FIG. 5 is a right-side elevational view thereof;
FIG. 6 is a top plan view thereof;
FIG. 7 is a bottom plan view thereof;
FIG. 8 is another perspective view thereof showing the
electronic device in a first partially open position;
FIG. 9 is a front elevational view thereof;
FIG. 10 is a rear elevational view thereof;
FIG. 11 is a left-side elevational view thereof;
FIG. 12 is a right-side elevational view thereof;
FIG. 13 is a top plan view thereof;
FIG. 14 is a bottom plan view thereof;
FIG. 15 is another perspective view thereof showing the
electronic device in a second partially open position;
FIG. 16 is a front elevational view thereof;
FIG. 17 is a rear elevational view thereof;
FIG. 18 is a left-side elevational view thereof;
FIG. 19 is a right-side elevational view thereof;
FIG. 20 is a top plan view thereof;
FIG. 21 is a bottom plan view thereof;

(Continued)

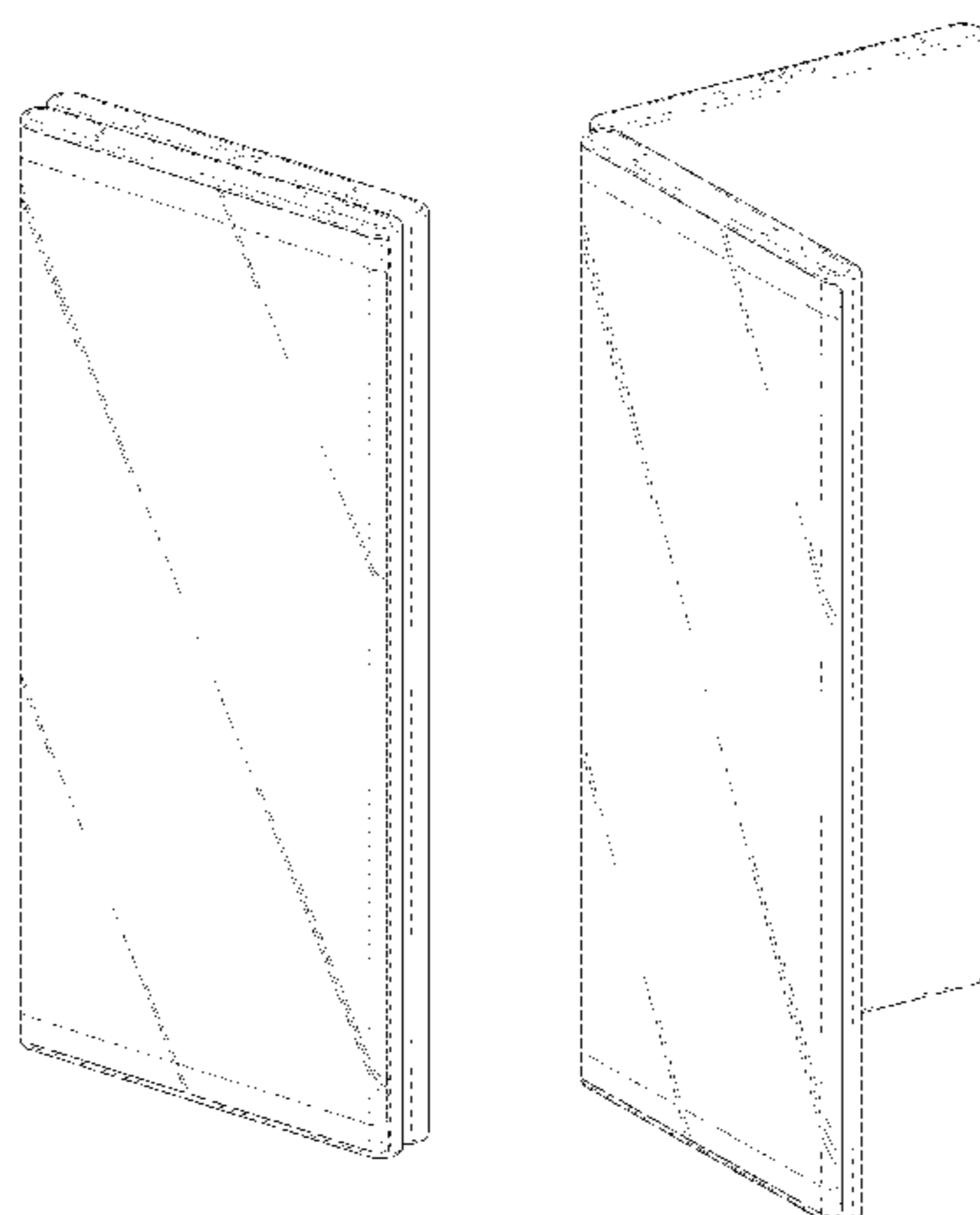


FIG. 22 is another perspective view thereof showing the electronic device in a third partially open position;
 FIG. 23 is a front elevational view thereof;
 FIG. 24 is a rear elevational view thereof;
 FIG. 25 is a left-side elevational view thereof;
 FIG. 26 is a right-side elevational view thereof;
 FIG. 27 is a top plan view thereof;
 FIG. 28 is a bottom plan view thereof;
 FIG. 29 is another perspective view thereof showing the electronic device in an open position;
 FIG. 30 is a front elevational view thereof;
 FIG. 31 is a rear elevational view thereof;
 FIG. 32 is a left-side elevational view thereof;
 FIG. 33 is a right-side elevational view thereof;
 FIG. 34 is a top plan view thereof;
 FIG. 35 is a bottom plan view thereof; and,
 FIG. 36 is an enlarged view of the encircled portion in FIG. 6.

The evenly dashed broken lines in the figures show portions of the electronic device which form no part of the claimed design.

The dot-dashed broken lines encircling portions of the claimed design that are illustrated in enlargements form no part of the claimed design.

1 Claim, 34 Drawing Sheets

(58) **Field of Classification Search**

USPC ... D14/203.1, 203.3, 203.4, 203.7, 218, 247,
 D14/248, 332, 336, 371, 374-377, 388,
 D14/389, 315-318, 420, 426, 429, 440,
 D14/448, 450, 489, 492, 496;
 D6/300-310; D10/50, 65, 98, 104.1;
 D16/241; D18/4.6, 6; D20/10, 19, 39;
 D21/329, 330

CPC . A63H 33/3016; G06F 1/1613; G06F 1/1641;
 G06F 1/1643; G06F 1/1647; G06F
 3/04883; G06F 3/0486; G06F 3/04847;
 G06F 3/04845; G06F 3/0484; G06F
 3/04817; H05K 5/0004; H05K 5/0017;
 H05K 5/02; H05K 5/0217; H04M 1/0279;
 H04M 1/0281; H04M 1/0283; H04N
 13/0459

See application file for complete search history.

(56)

References Cited

U.S. PATENT DOCUMENTS

D680,527 S * 4/2013 Reeves D14/341
 D714,244 S * 9/2014 Lee D14/138 AB
 D716,750 S * 11/2014 Matsumoto D14/138 AB
 D719,540 S * 12/2014 Lee D14/138 AB
 D739,402 S * 9/2015 Seoc D14/341
 D746,285 S * 12/2015 Okabe D14/345
 D749,571 S * 2/2016 Park D14/203.4
 D769,209 S * 10/2016 Byun D14/138 AB
 D772,225 S 11/2016 Kim et al.
 9,489,080 B2 * 11/2016 Seo G06F 1/1641
 D775,598 S * 1/2017 Kim D14/138 AB
 D810,073 S * 2/2018 Bae D14/341
 D825,513 S * 8/2018 Seo D14/138 AB

FOREIGN PATENT DOCUMENTS

KR 30-2010-0023615 7/2011
 KR 30-2015-0013632 10/2015

OTHER PUBLICATIONS

Samsung Galaxy X Foldable Smartphone Gets 3D Trailer, posted Mar. 22, 2017, [retrieved Aug. 23, 2018]. Retrieved from Internet, <URL: <https://www.concept-phones.com/samsung/samsung-galaxy-foldable-smartphone-3d-trailer-video/> >.*

* cited by examiner

FIG. 1

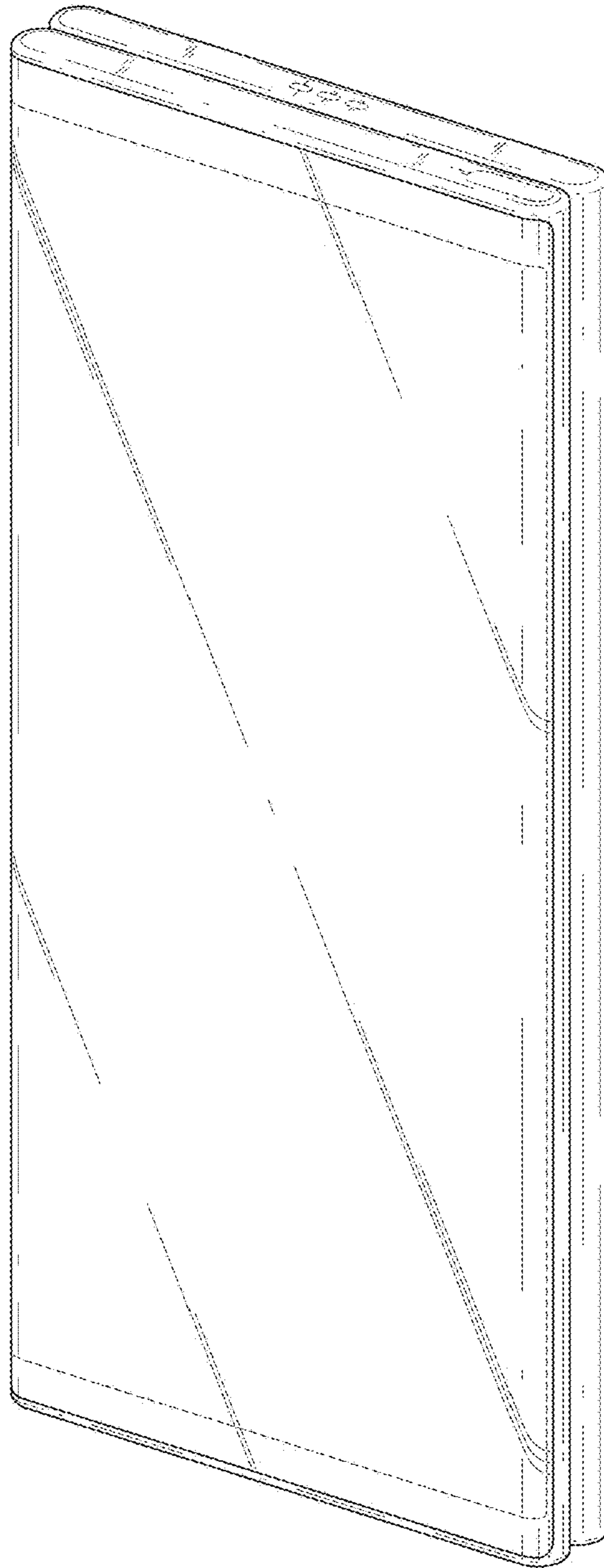


FIG. 2

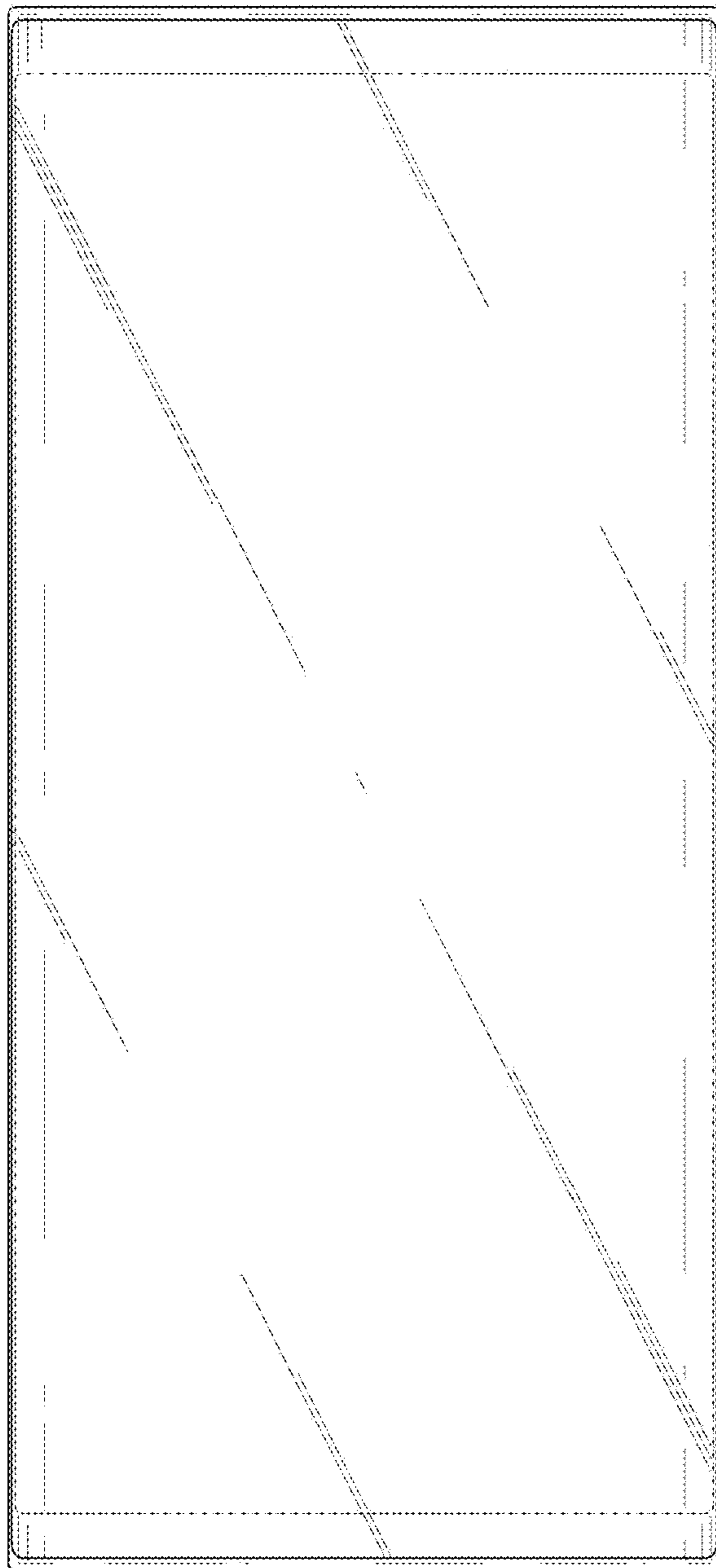


FIG. 3

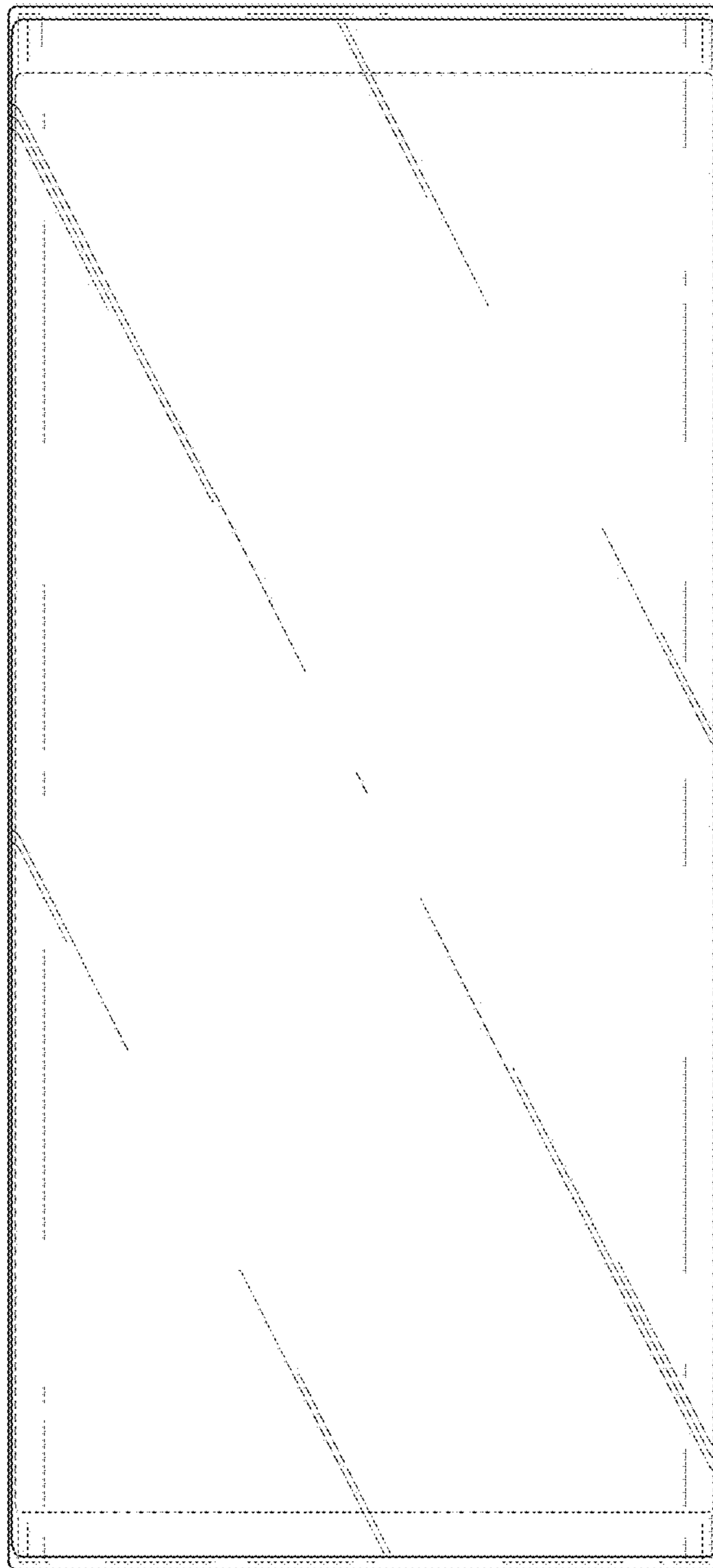


FIG. 4

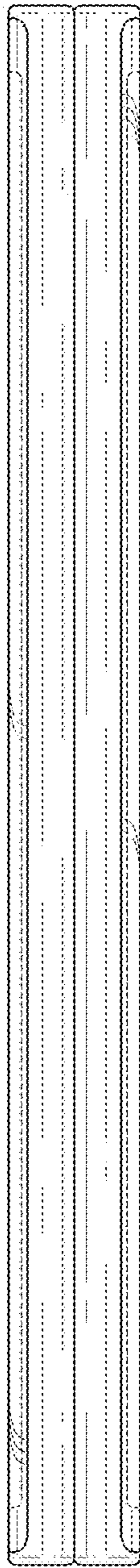


FIG. 5

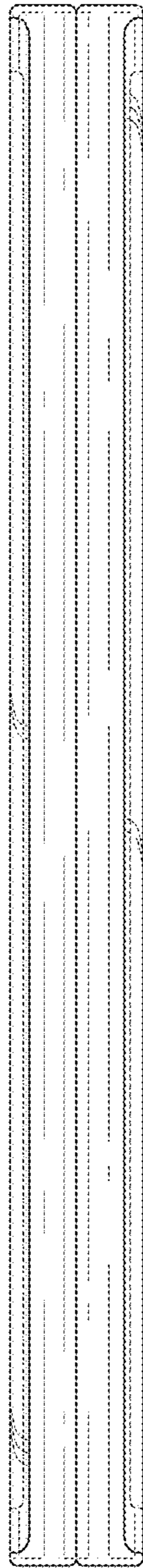


FIG. 6

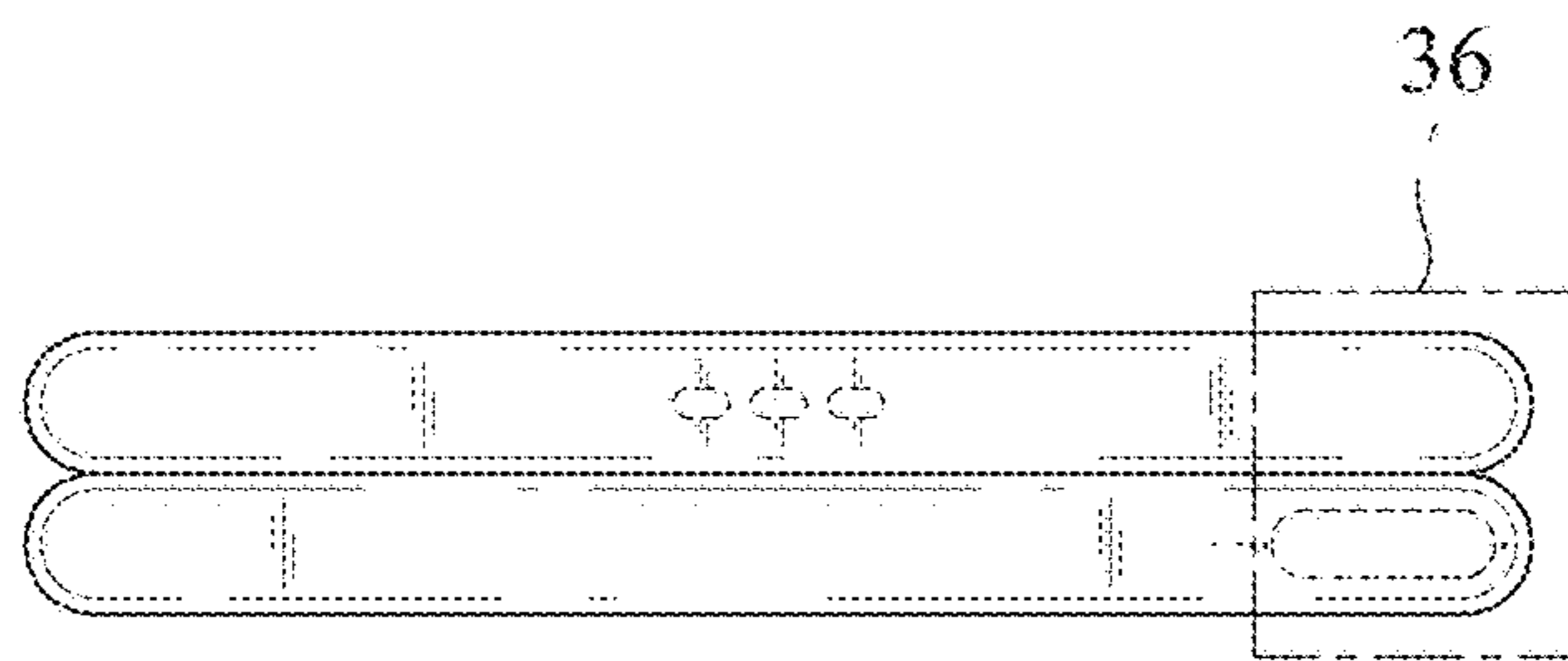


FIG. 7

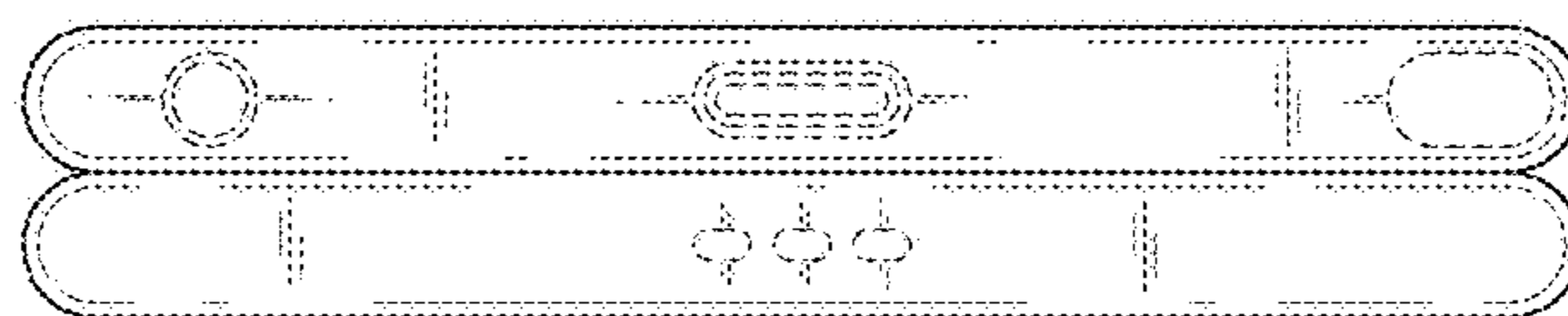


FIG. 8

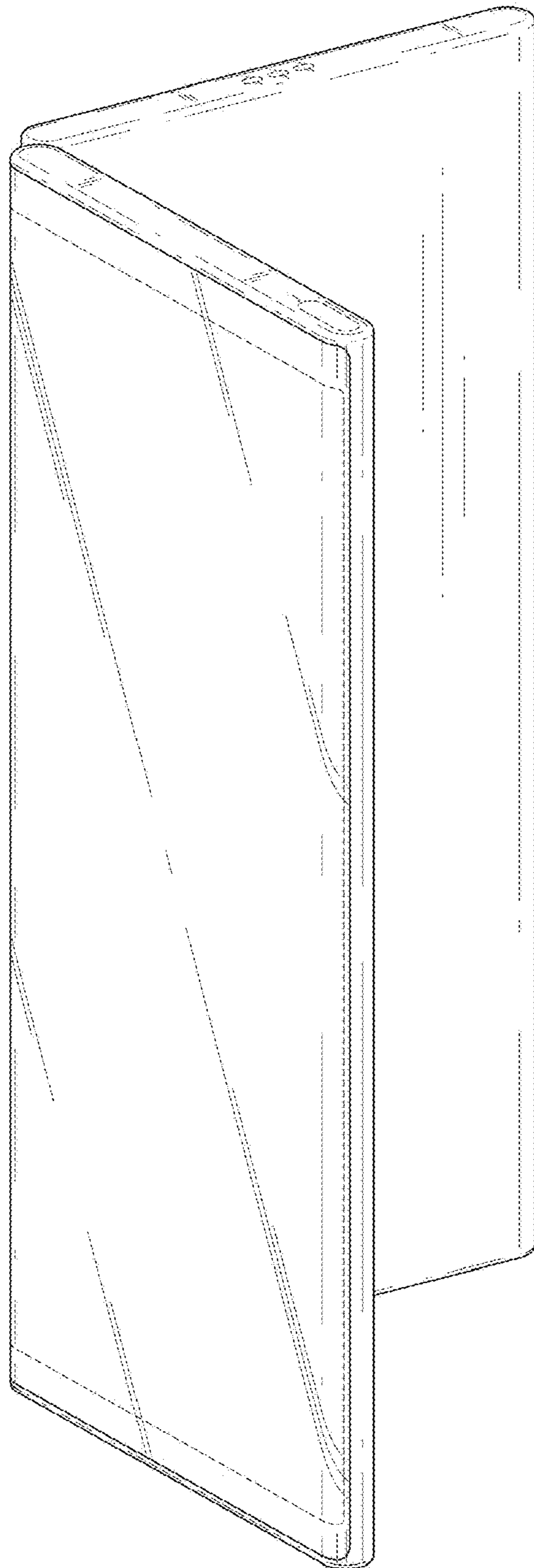


FIG. 9

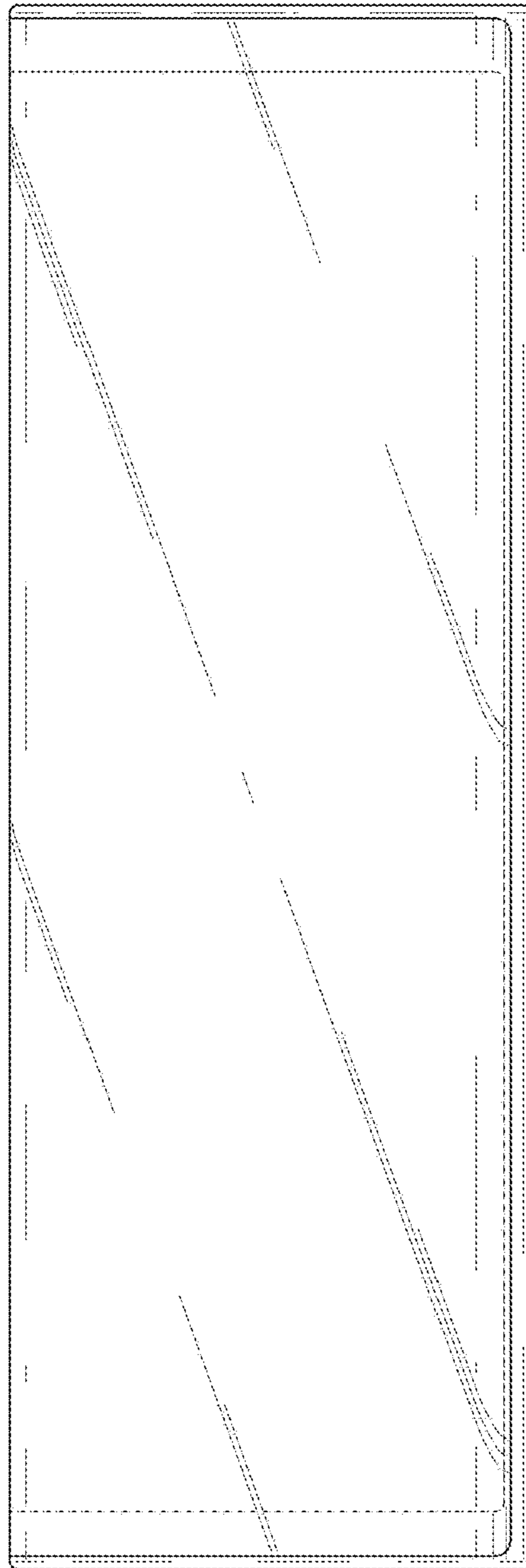


FIG. 10

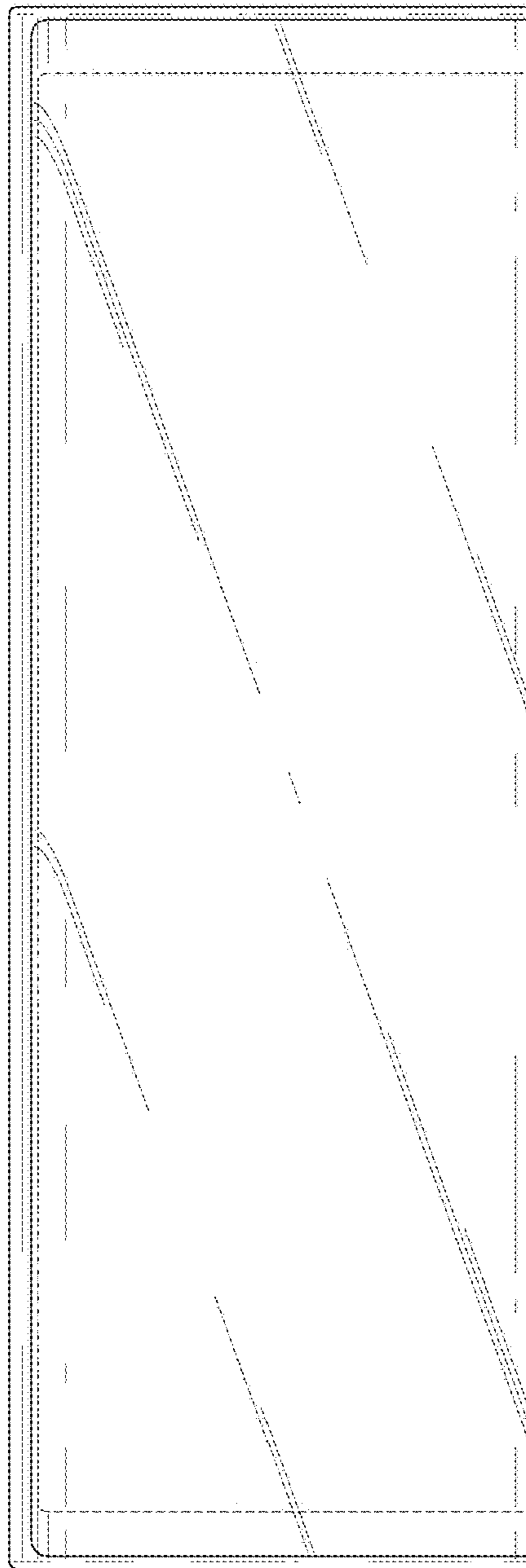


FIG. 11

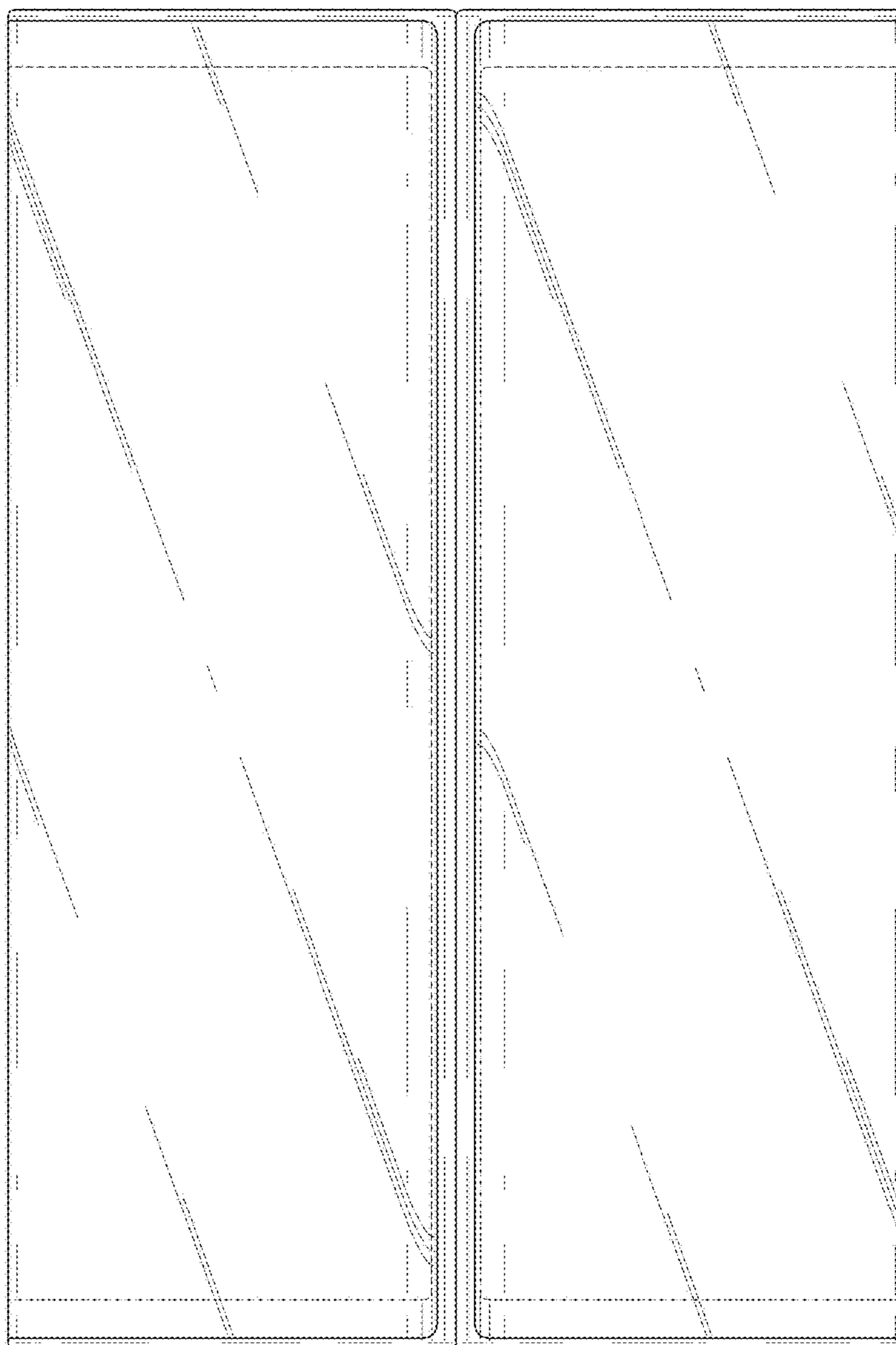


FIG. 12

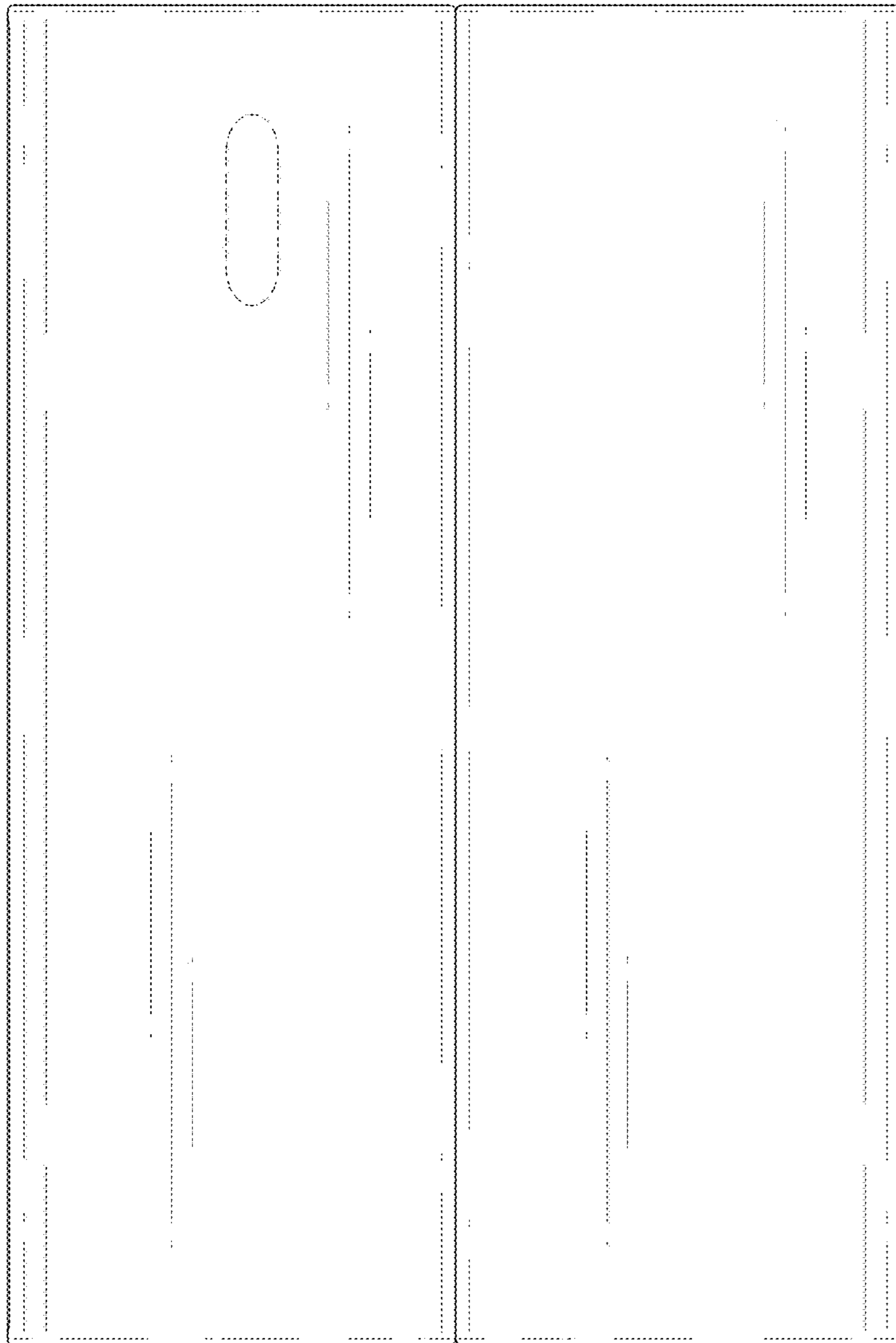


FIG. 13

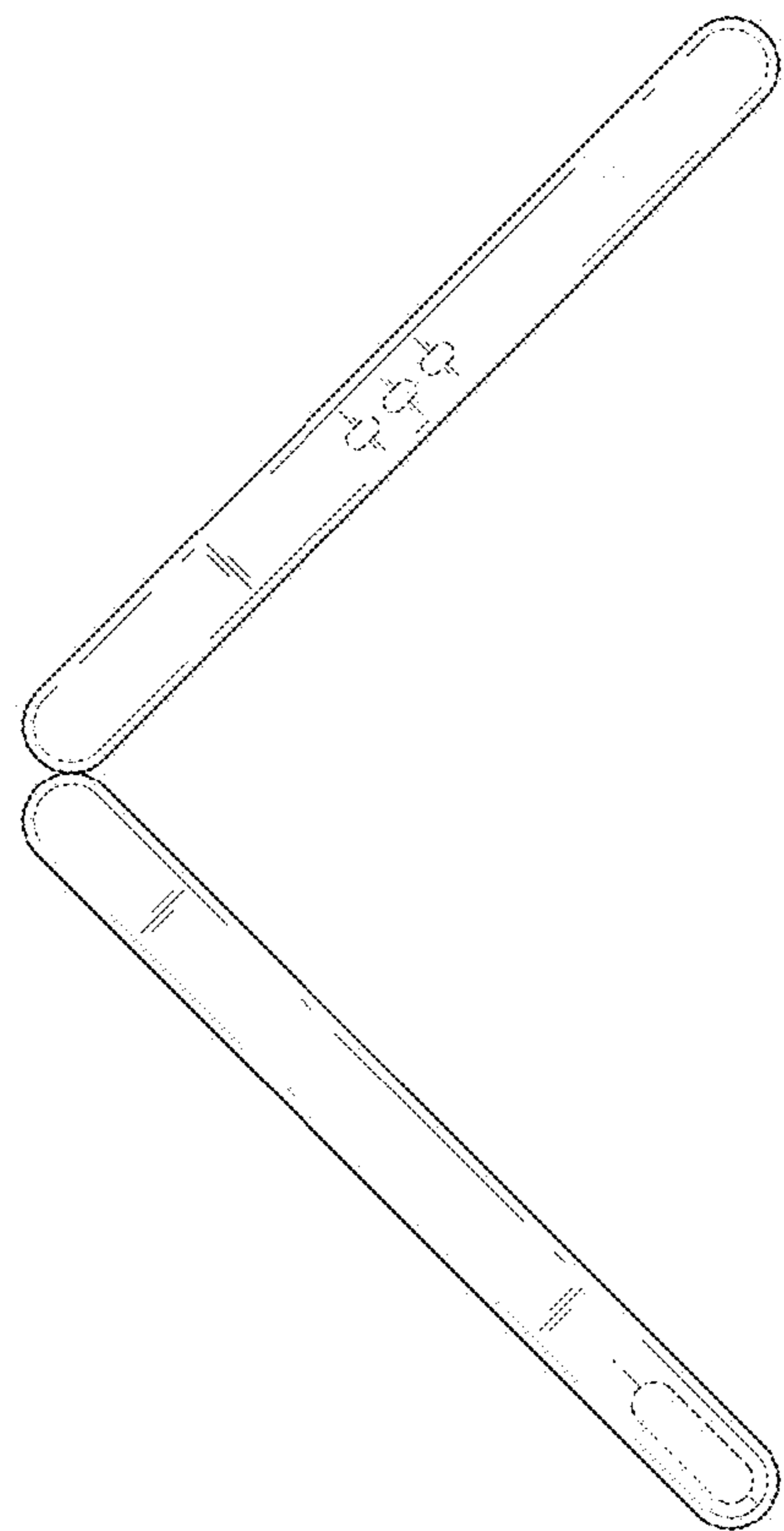


FIG. 14

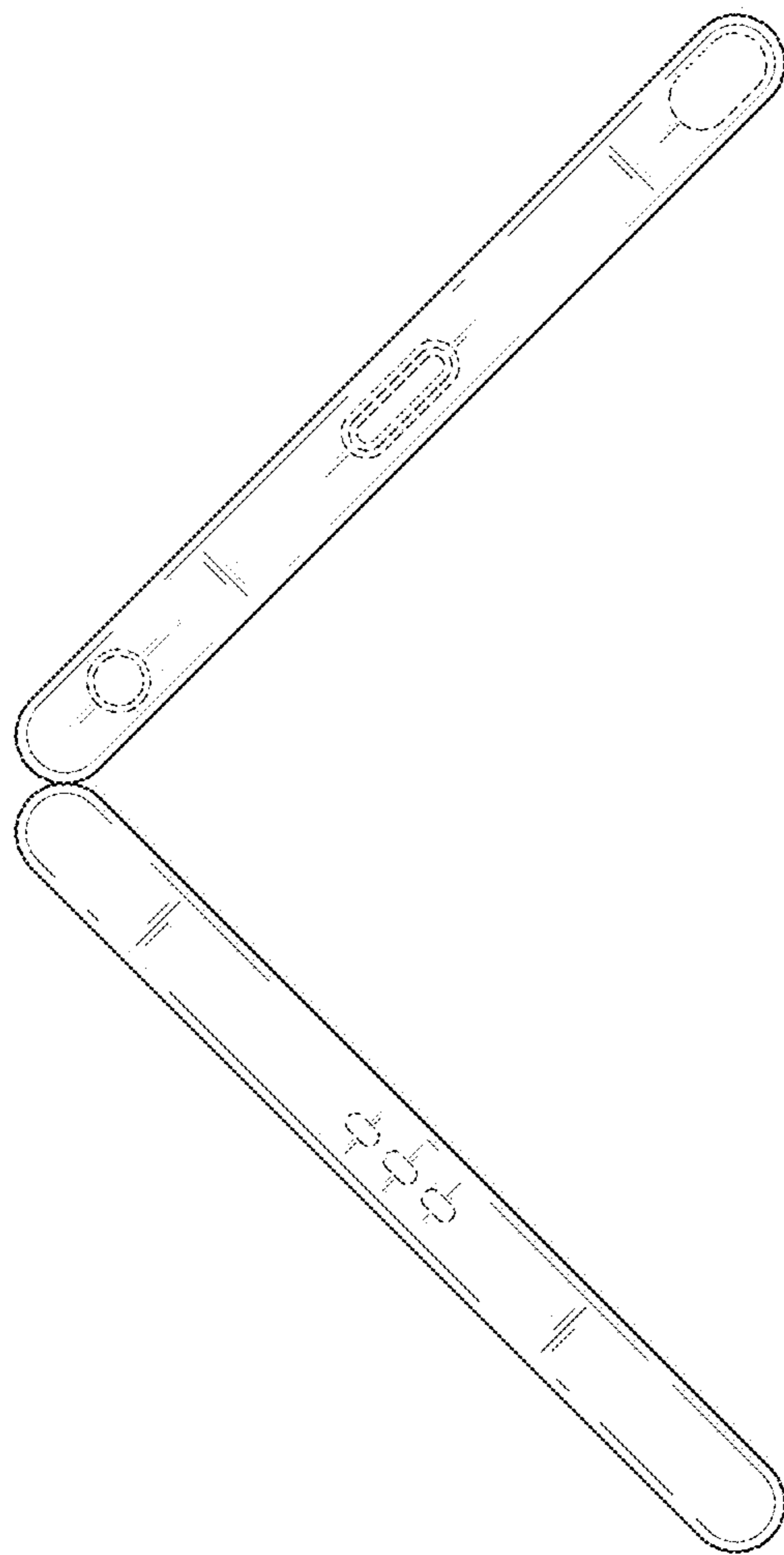


FIG. 15

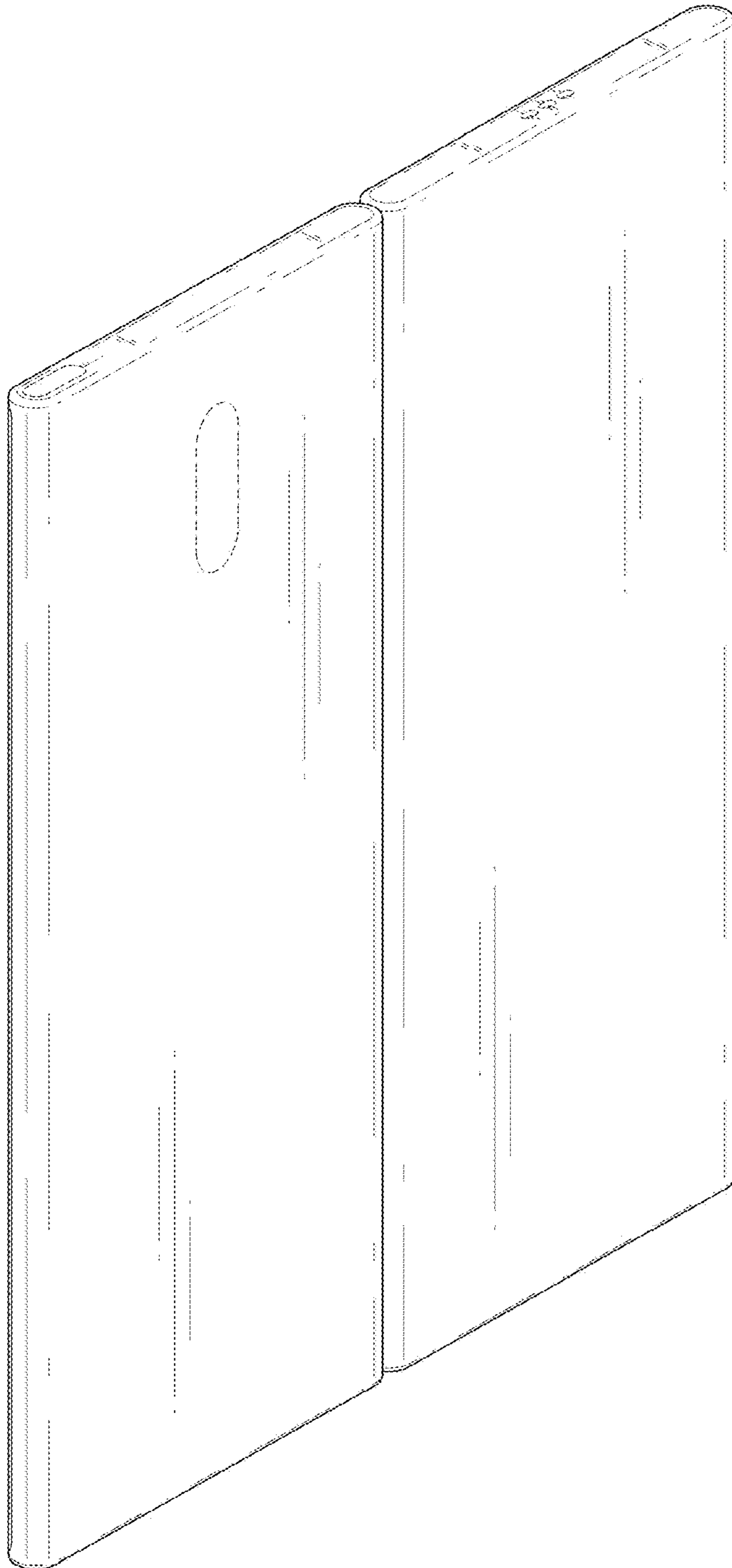


FIG. 16

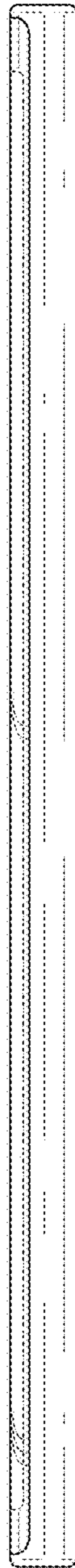


FIG. 17

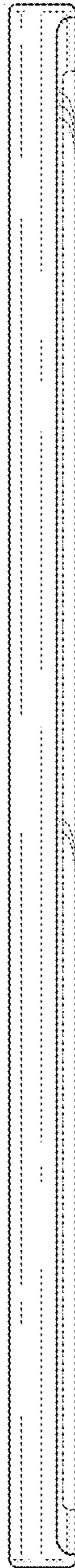


FIG. 18

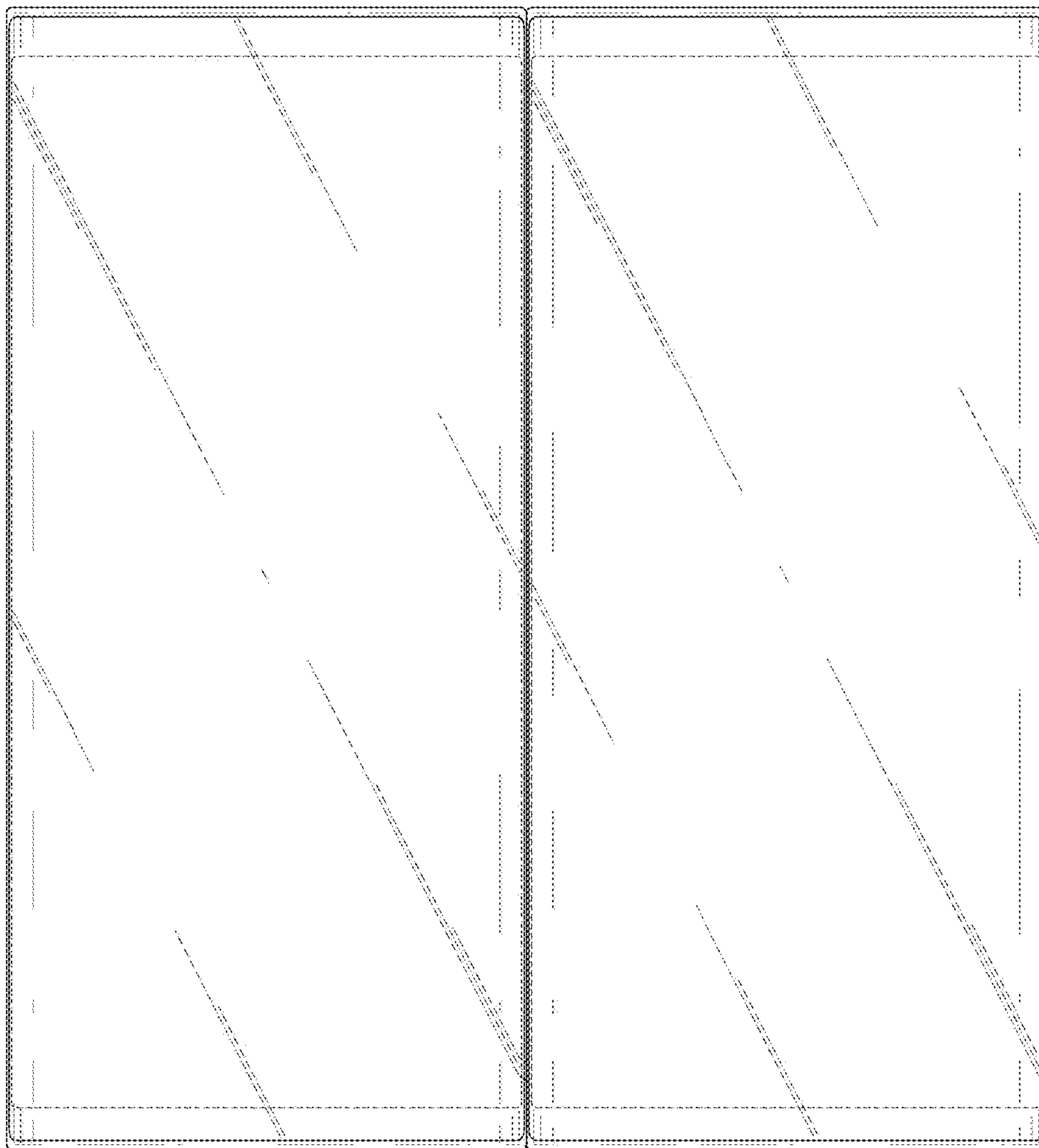


FIG. 19

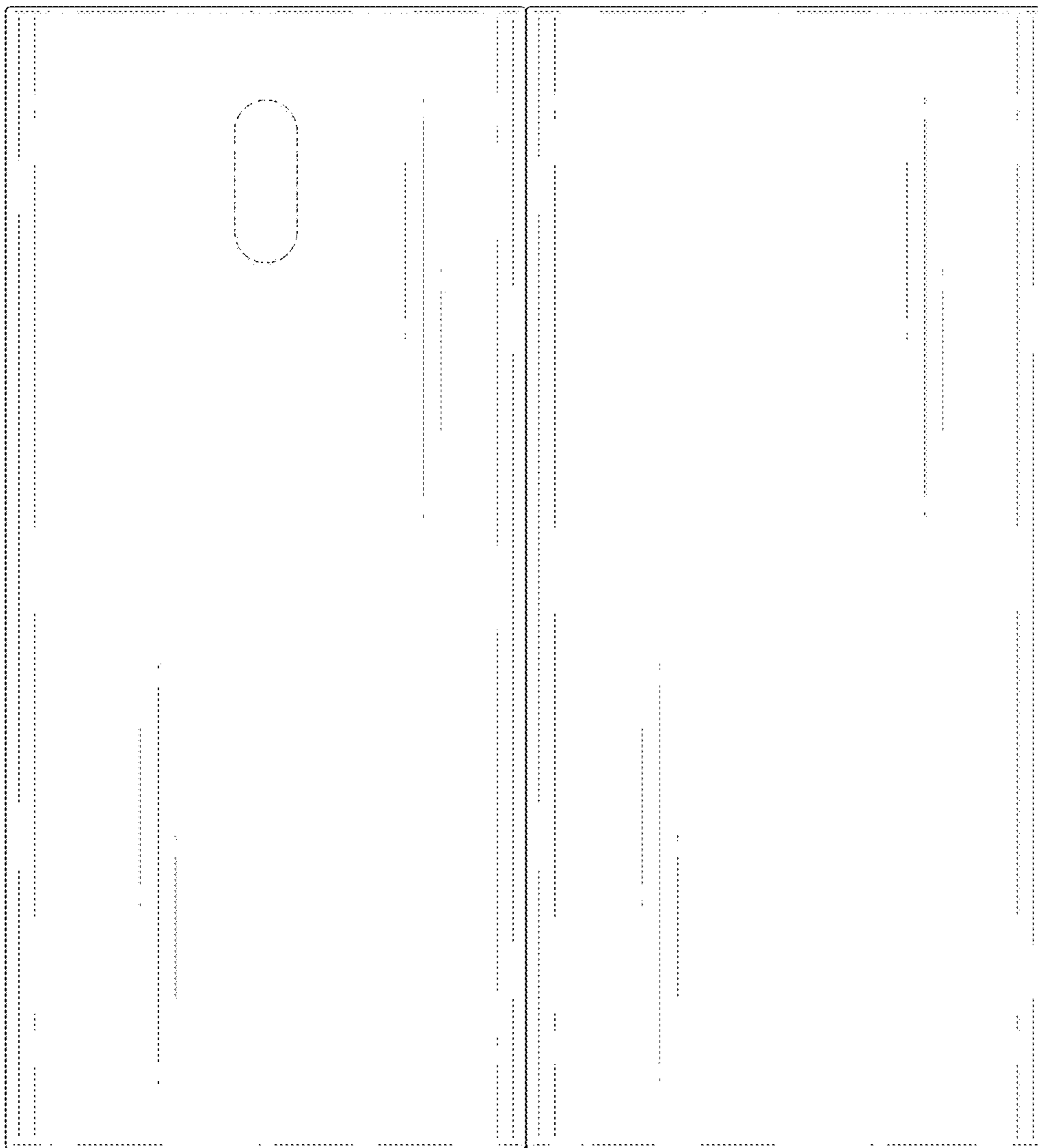


FIG. 20



FIG. 21



FIG. 22

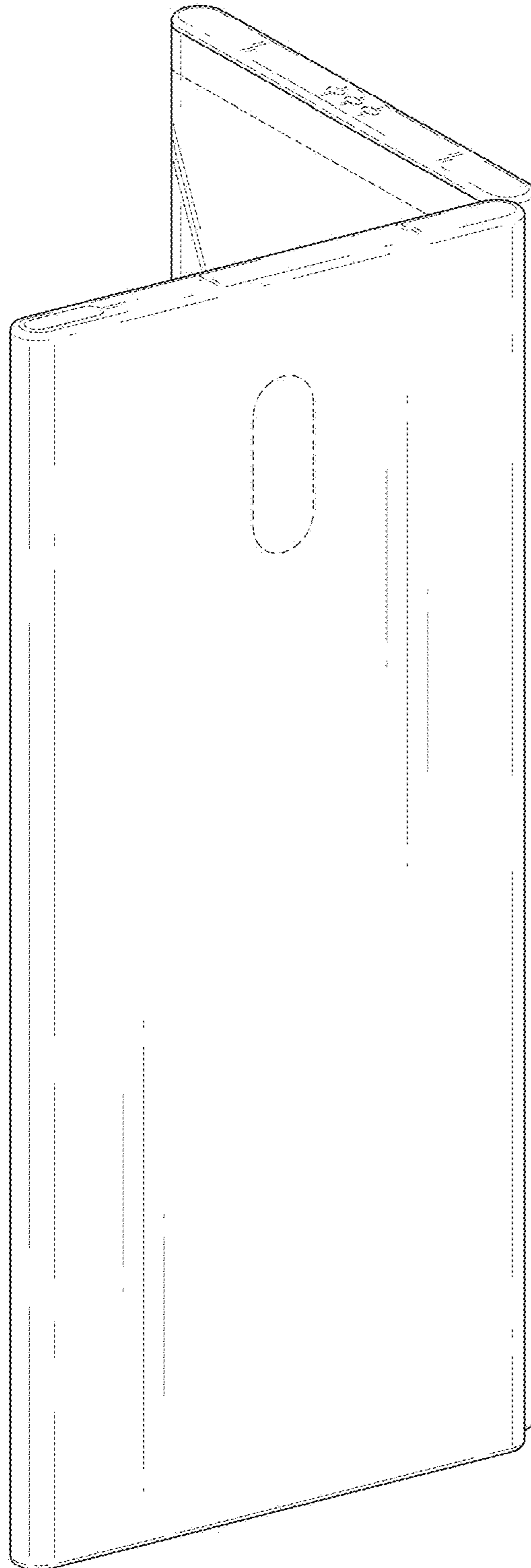


FIG. 23

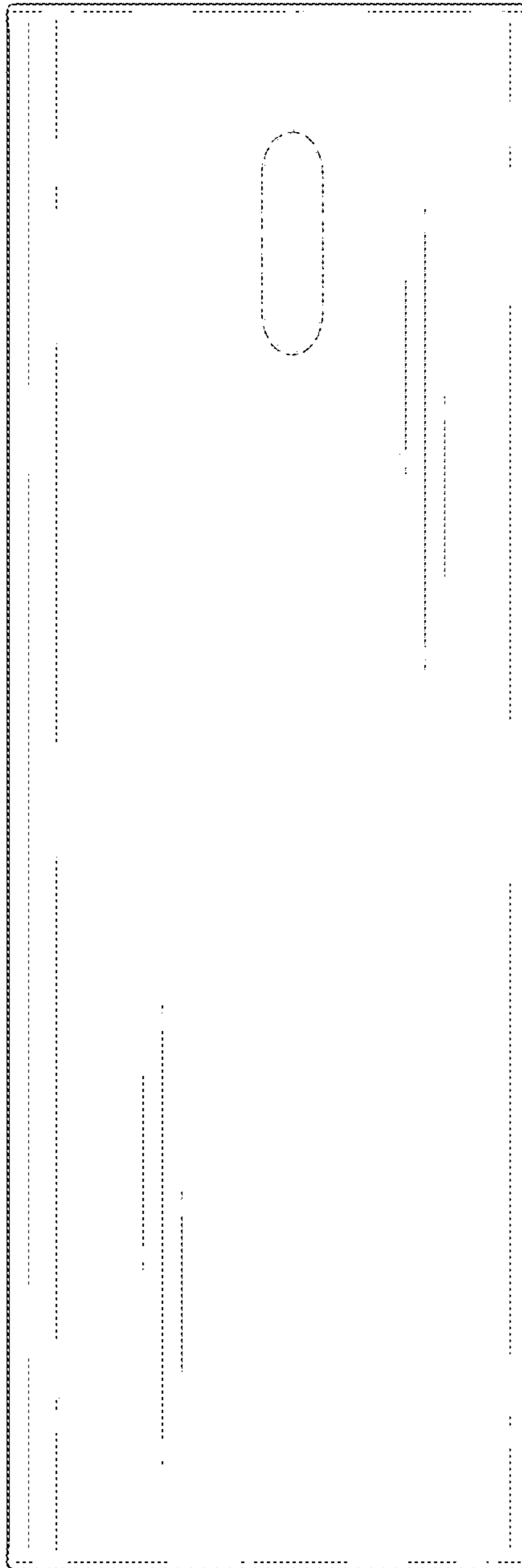


FIG. 24

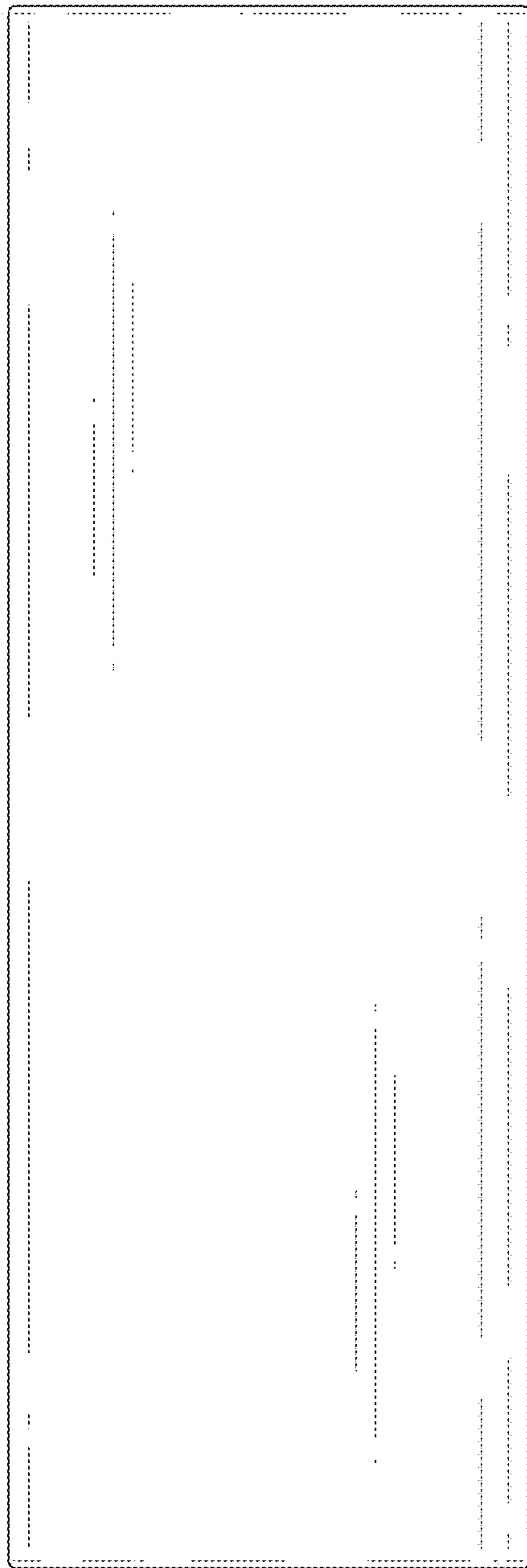


FIG. 25

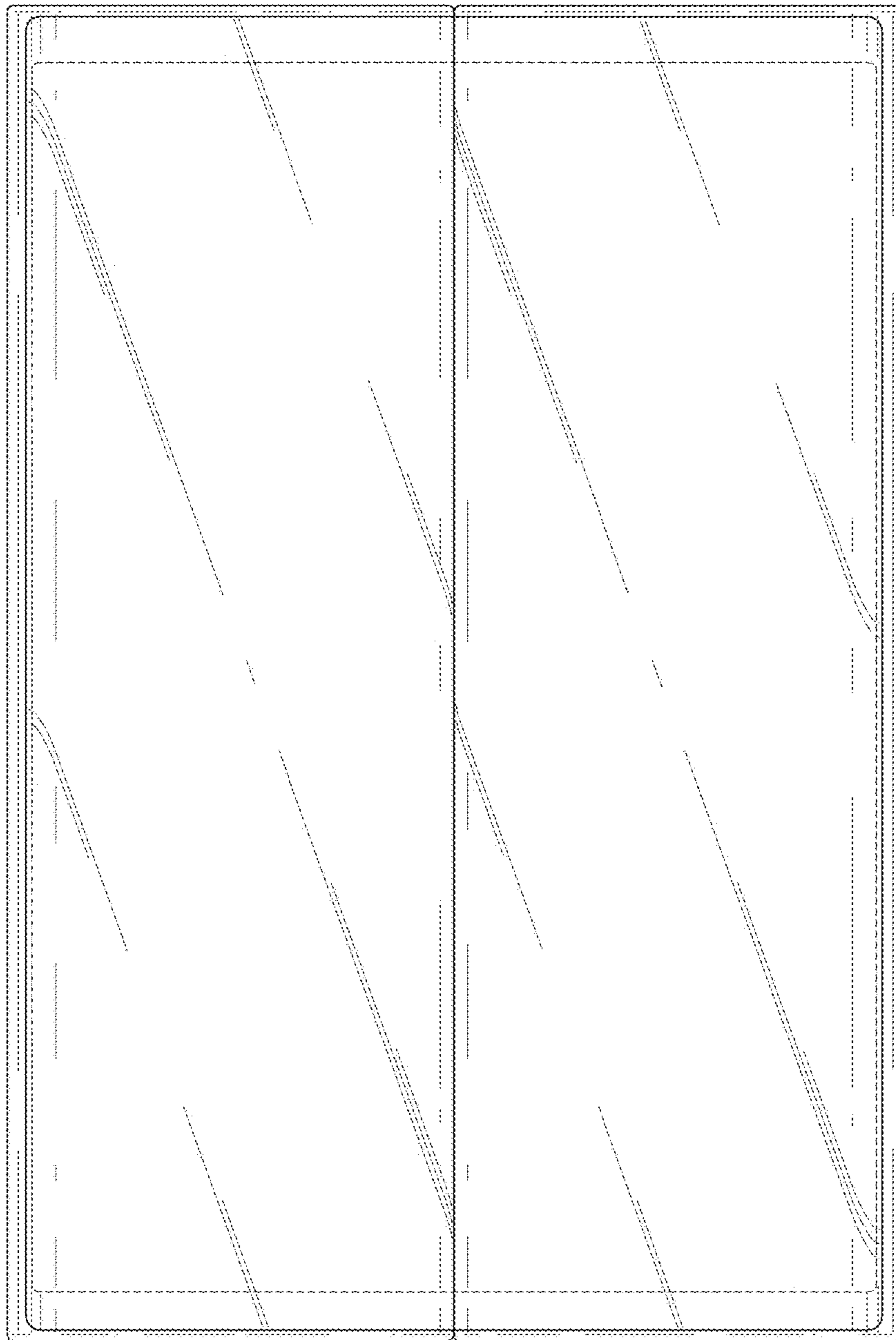


FIG. 26

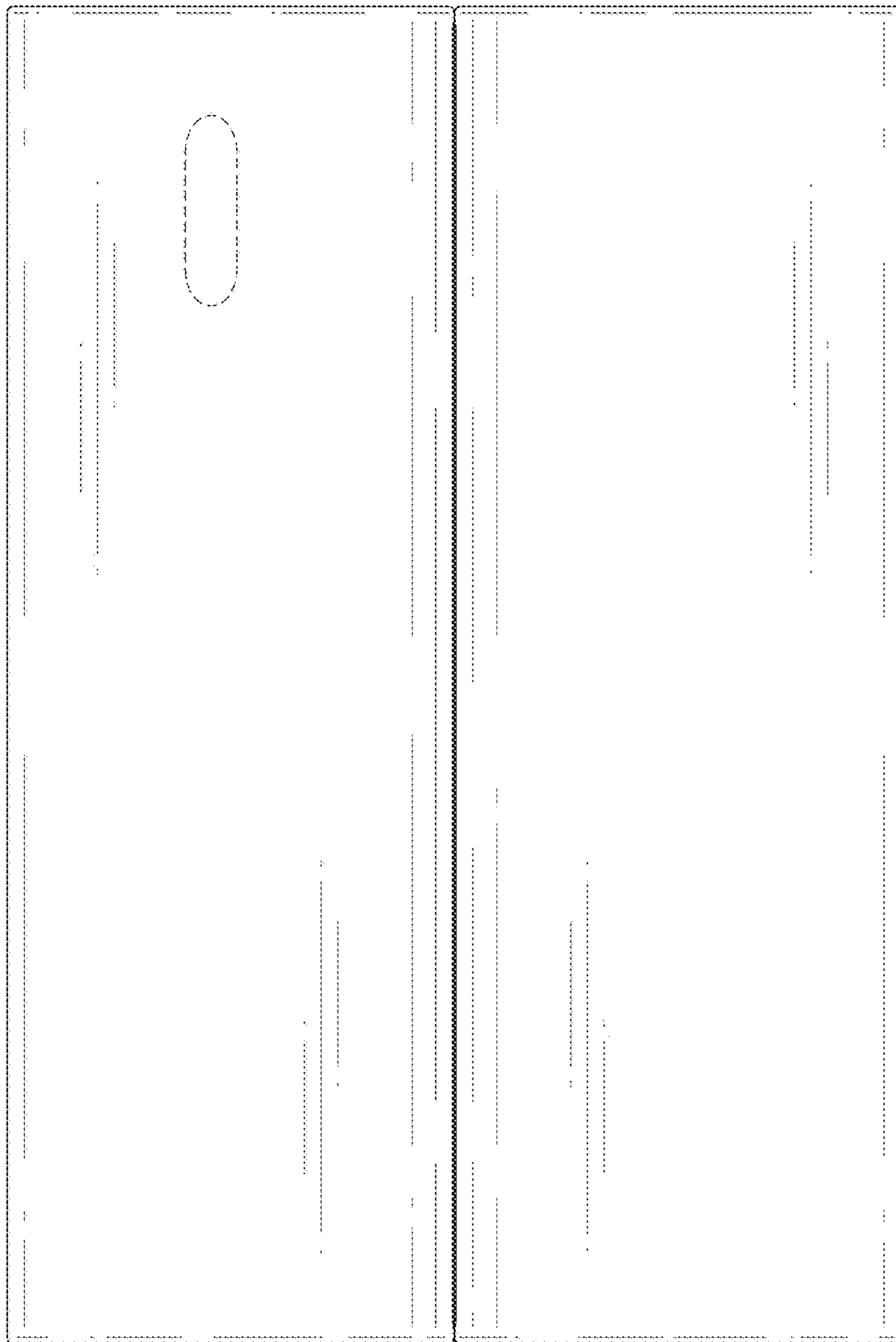


FIG. 27

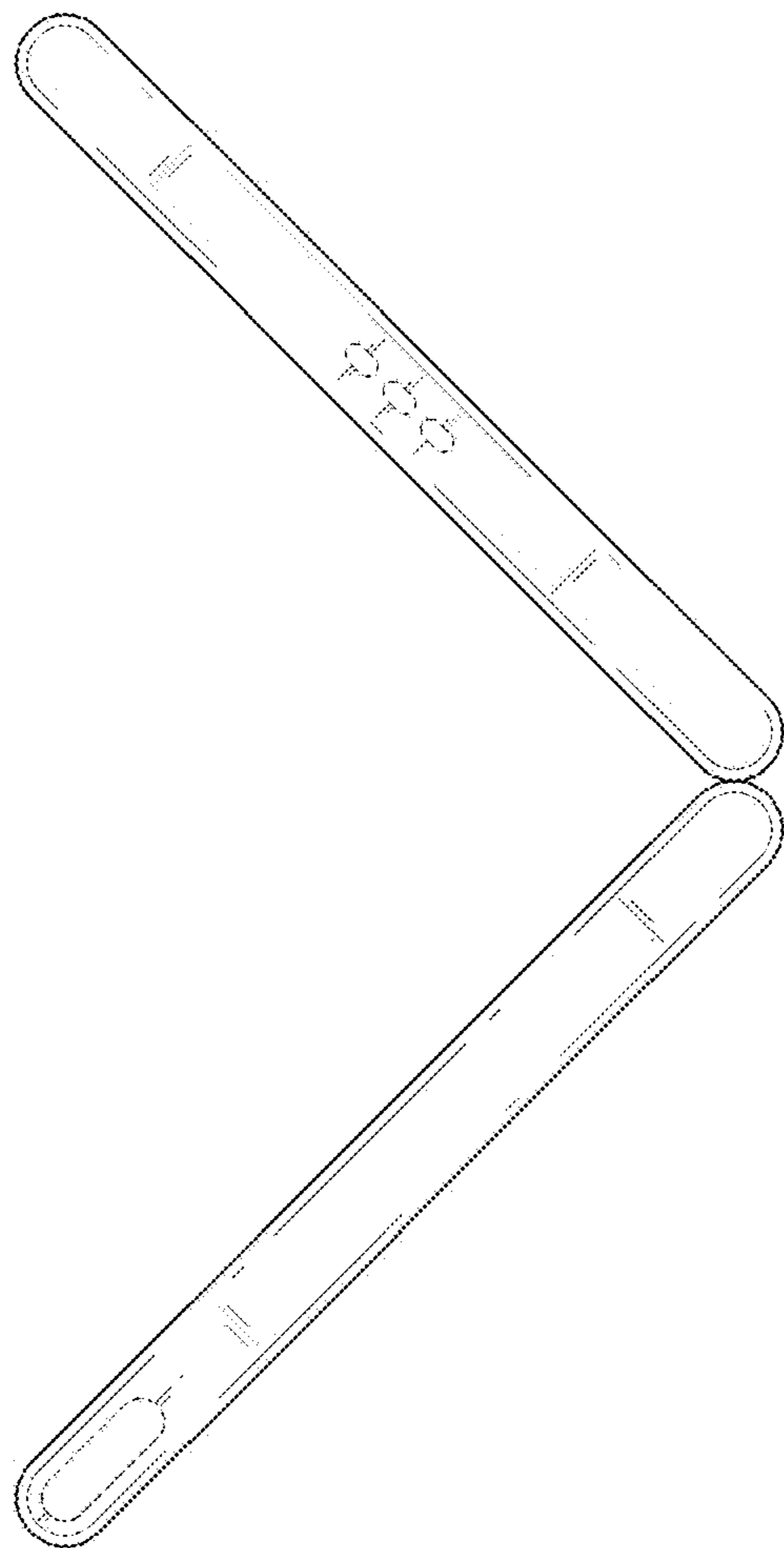


FIG. 28

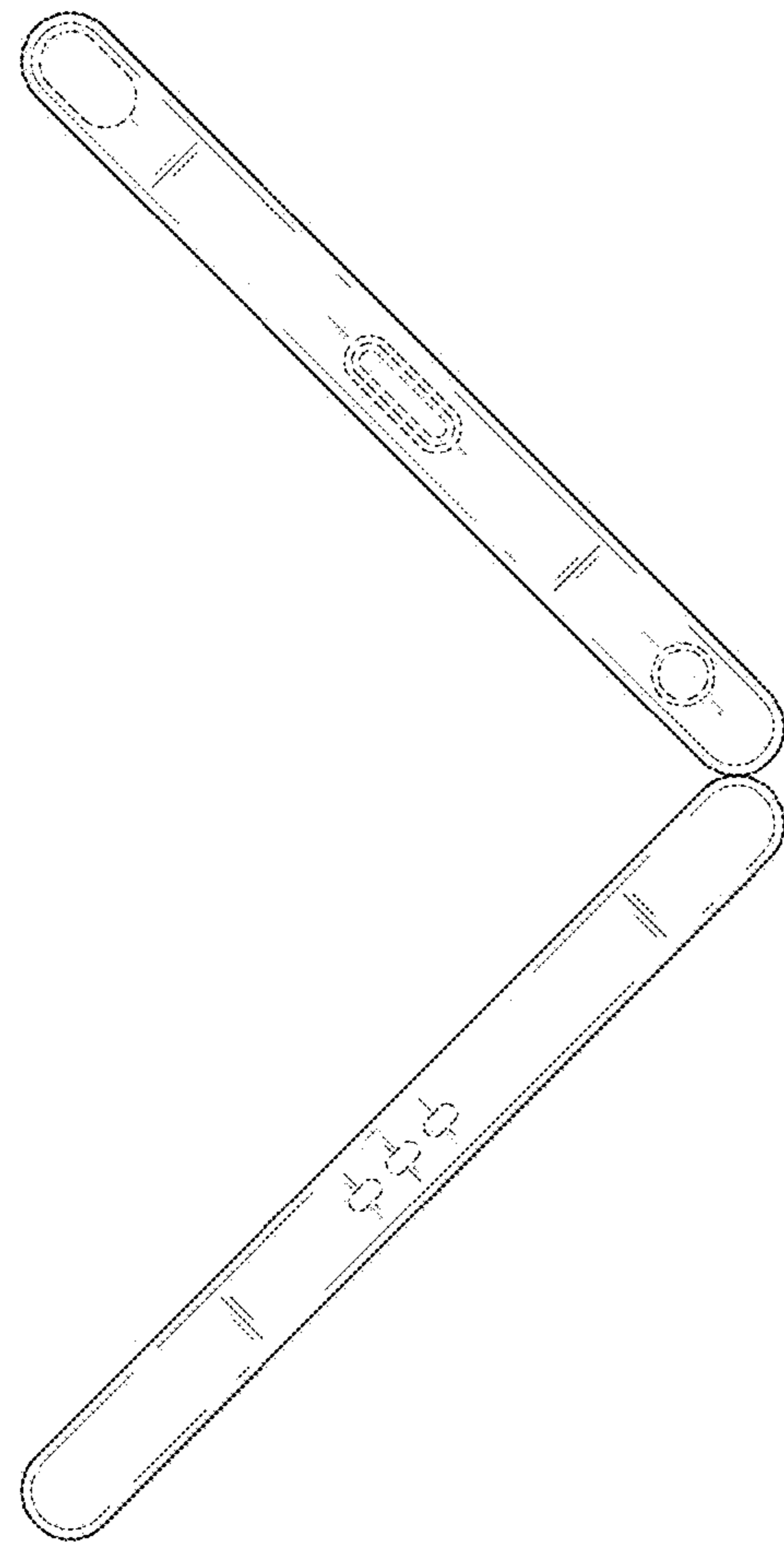


FIG. 29

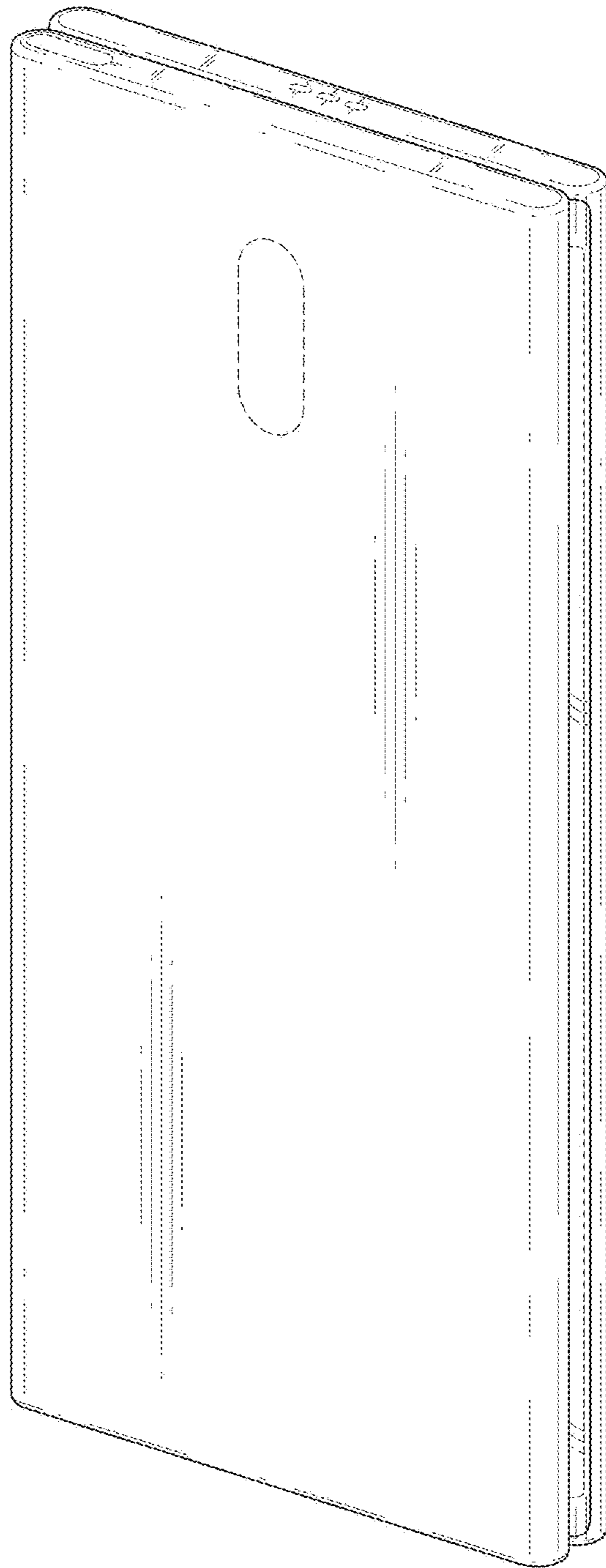


FIG. 30

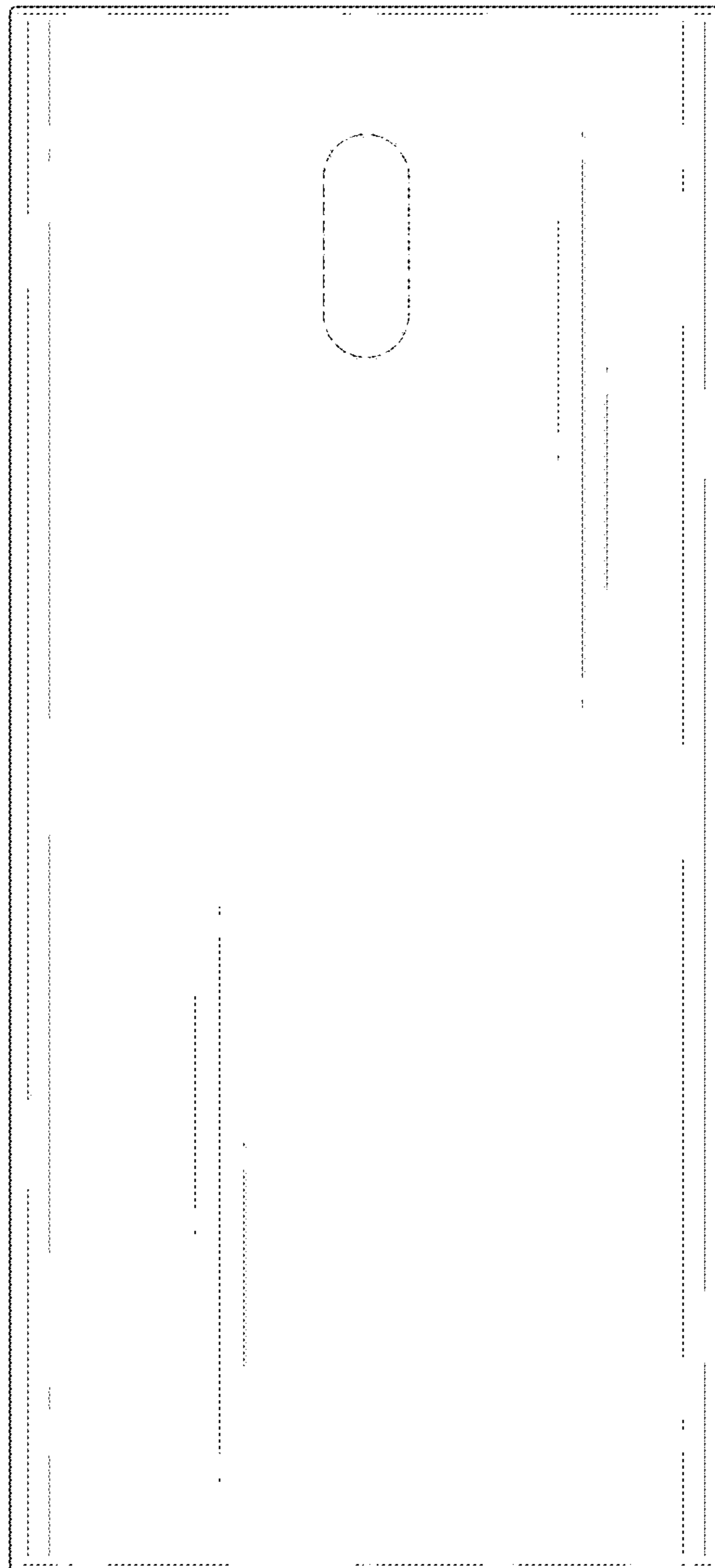


FIG. 31

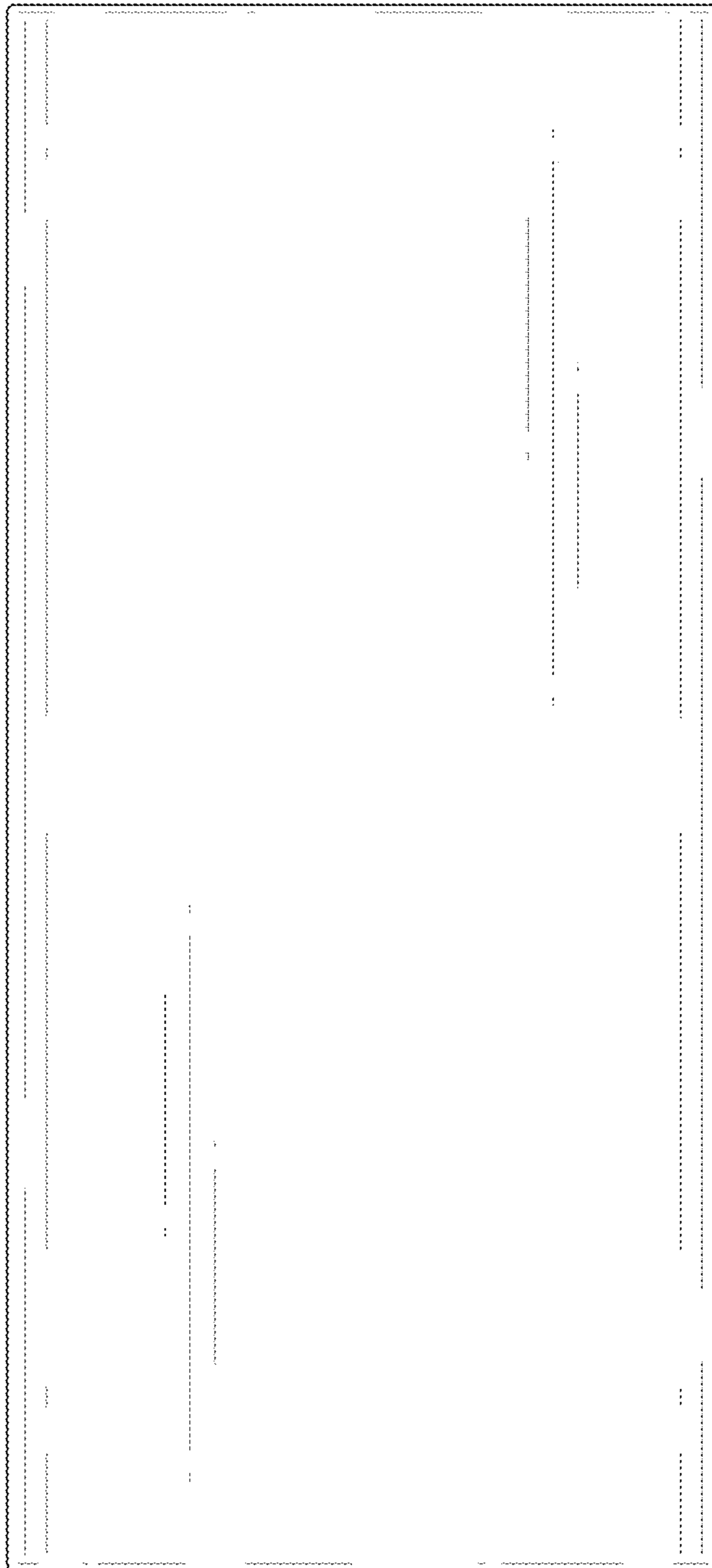


FIG. 32

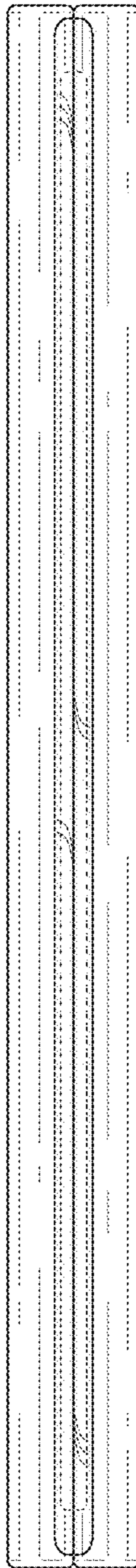


FIG. 33

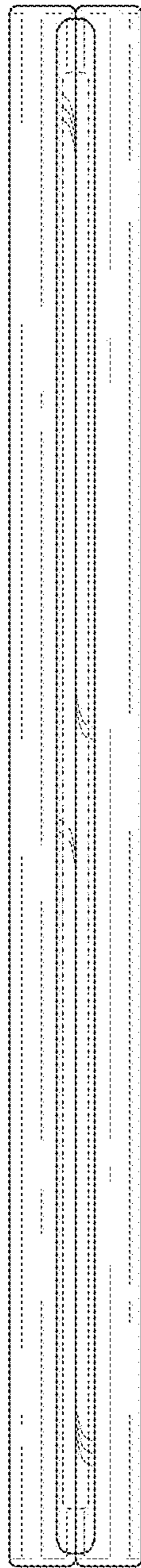


FIG. 34

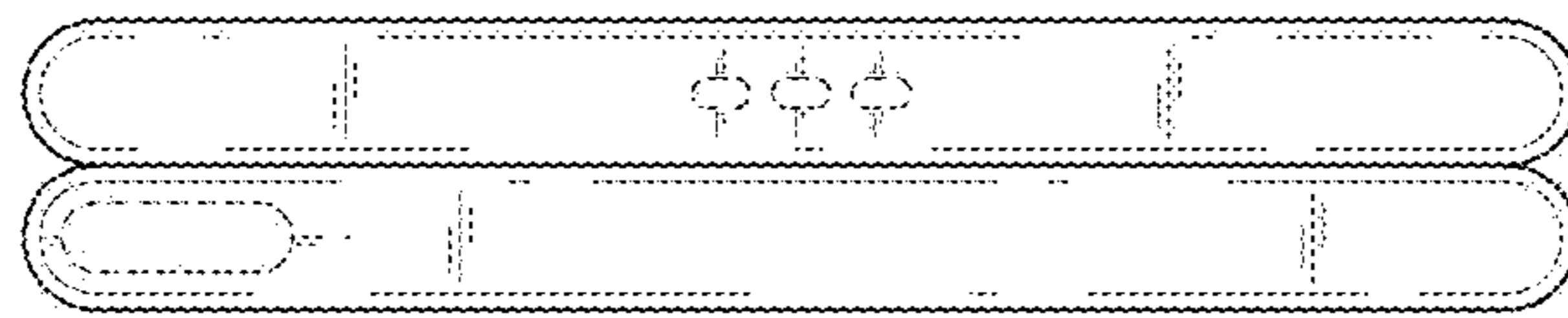


FIG. 35

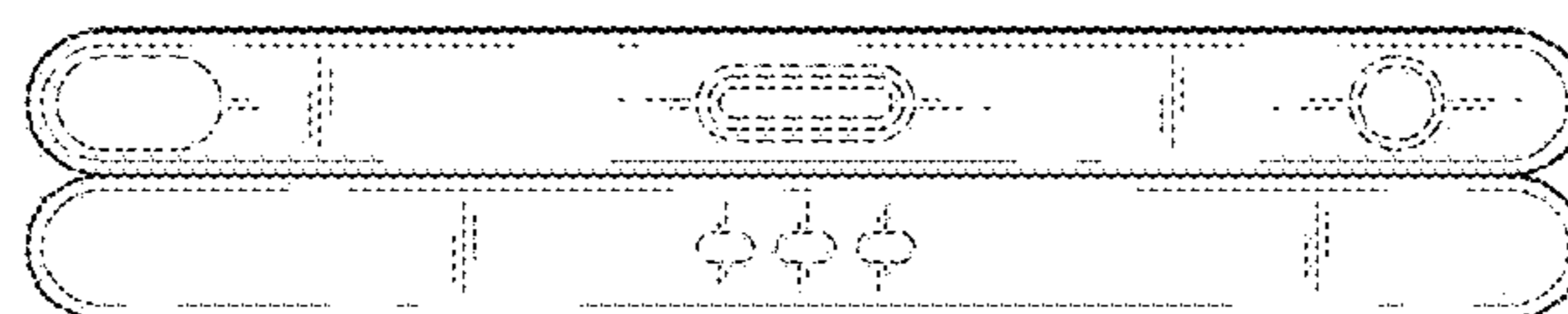


FIG. 36

