



US00D841645S

(12) **United States Design Patent**  
**Huebner**

(10) **Patent No.:** **US D841,645 S**  
(45) **Date of Patent:** **\*\* Feb. 26, 2019**

(54) **PORTABLE ELECTRONIC DEVICE**

- (71) Applicant: **Wacom Co., Ltd.**, Kazo-shi, Saitama (JP)
- (72) Inventor: **Volker Huebner**, Erkrath (DE)
- (73) Assignee: **Wacom Co., Ltd.**, Kazo-shi (JP)
- (\*\*) Term: **15 Years**
- (21) Appl. No.: **29/650,935**
- (22) Filed: **Jun. 11, 2018**

**Related U.S. Application Data**

- (63) Continuation of application No. 29/530,301, filed on Jun. 15, 2015, now Pat. No. Des. 820,252.

(30) **Foreign Application Priority Data**

- Dec. 16, 2014 (JP) ..... 2014-028044
- (51) **LOC (11) Cl.** ..... **14-02**
- (52) **U.S. Cl.**  
USPC ..... **D14/341**
- (58) **Field of Classification Search**  
USPC ..... D14/341-347, 420, 426, 129-130, 496,  
D14/138, 138 G, 138 R, 138 AA, 138 AB,  
(Continued)

(56) **References Cited**

**U.S. PATENT DOCUMENTS**

- D405,440 S 2/1999 Klinker
- D453,514 S 2/2002 Elam et al.
- (Continued)

**FOREIGN PATENT DOCUMENTS**

- EM 001429724-0002 2/2015

**OTHER PUBLICATIONS**

Wacom Cintiq Companion 2, announced Jan. 14, 2015 [online], [retrieved Sep. 17, 2018]. Available from Internet, URL: <https://www.youtube.com/watch?v=knmO9tTcFgc>.\*

(Continued)

*Primary Examiner* — Barbara Fox  
*Assistant Examiner* — Dana K Weiland

(74) *Attorney, Agent, or Firm* — Christensen O'Connor Johnson and Kindness, PLLC

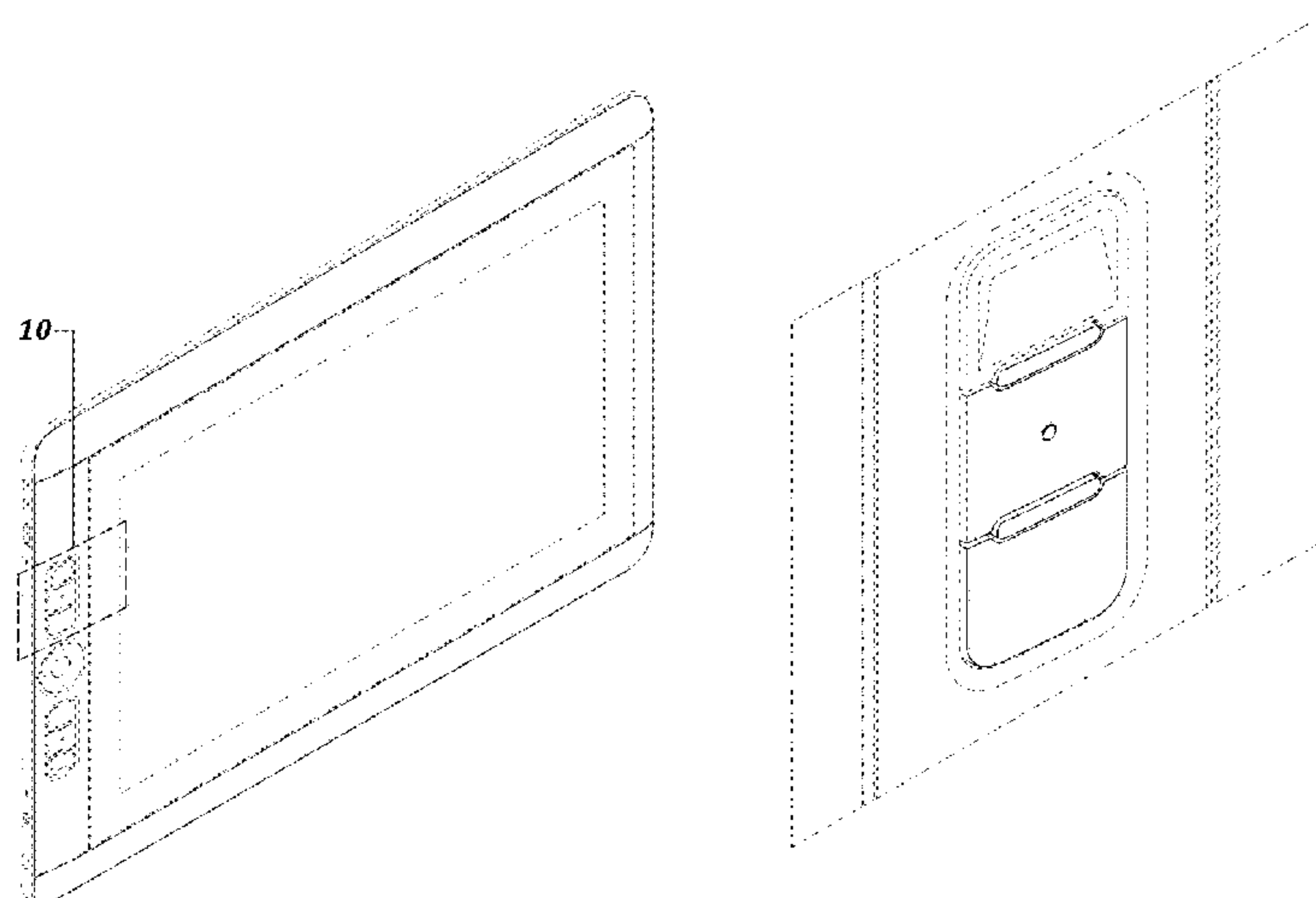
(57) **CLAIM**

The ornamental design for a portable electronic device, as shown and described.

**DESCRIPTION**

FIG. 1 is a perspective view of a portable electronic device showing my new design;  
 FIG. 2 is a front view of the portable electronic device of FIG. 1;  
 FIG. 3 is a rear view of the portable electronic device of FIG. 1;  
 FIG. 4 is a left side view of the portable electronic device of FIG. 1;  
 FIG. 5 is a right side view of the portable electronic device of FIG. 1;  
 FIG. 6 is a top view of the portable electronic device of FIG. 1;  
 FIG. 7 is a bottom view of the portable electronic device of FIG. 1;  
 FIG. 8 is a partially enlarged view of the portable electronic device shown in FIG. 2;  
 FIG. 9 is cross sectional view of the portable electronic device taken along lines 9-9 in FIG. 8; and,  
 FIG. 10 is a partially enlarged perspective view of the portable electronic device shown in FIG. 1.  
 The broken lines shown in the drawings depict portions of the portable electronic device that form no part of the claimed design.

**1 Claim, 8 Drawing Sheets**



(58) **Field of Classification Search**

USPC ..... D14/138 C, 139, 248, 203.1–203.8,  
 D14/388–389, 140–142, 374, 356, 257,  
 D14/299, 358, 137, 240, 129–130;  
 D10/104.4, 65; D21/324, 329, 332  
 CPC ..... G06F 1/1626; G06F 1/1613; G06F  
 2200/1633; G06F 3/0488; G06F 3/04886;  
 G06F 3/044; G06F 3/0412; G06F 3/0416;  
 H04B 1/3833; H04M 1/6091; H04M  
 1/7253; H01M 2250/02

See application file for complete search history.

(56) **References Cited**

U.S. PATENT DOCUMENTS

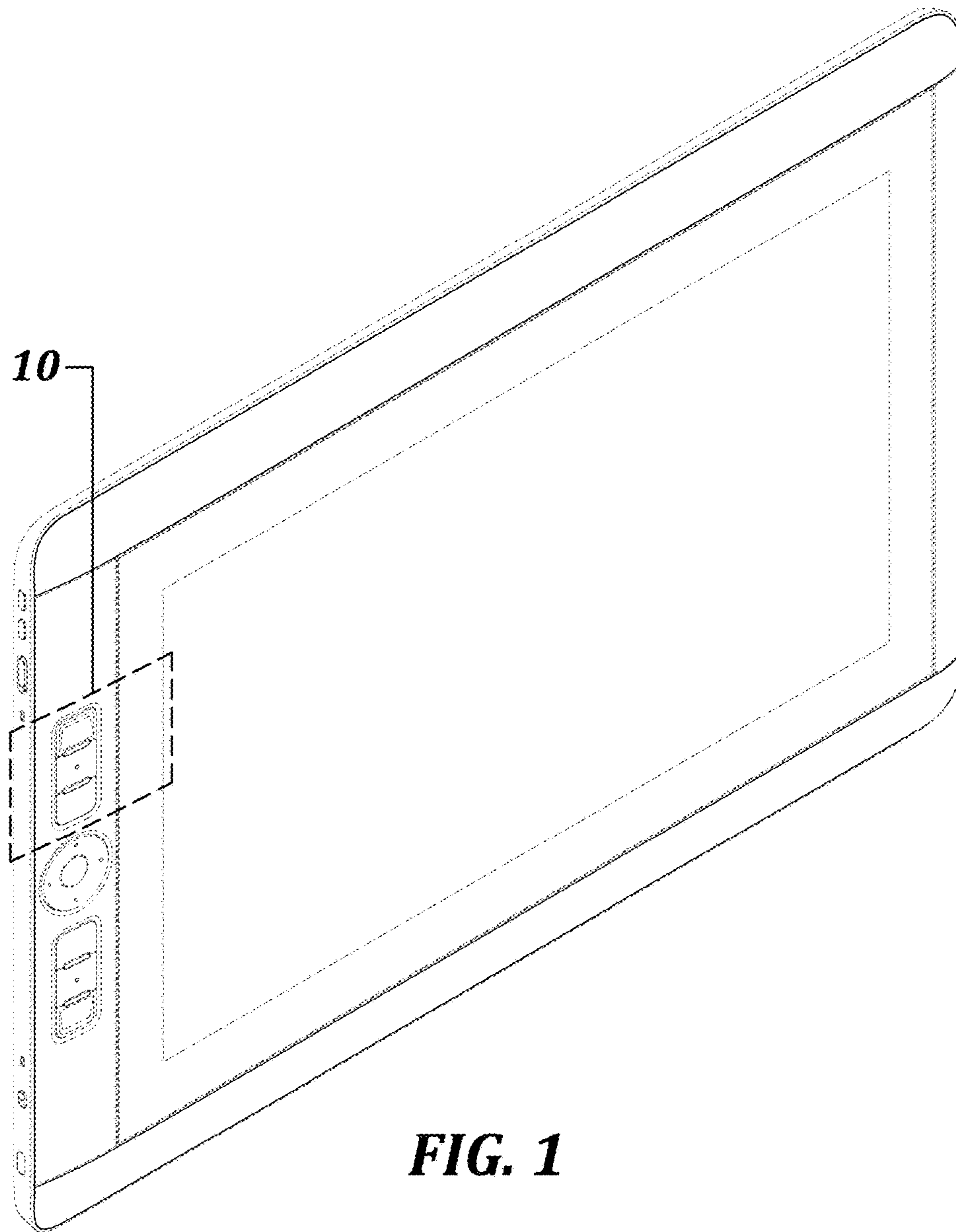
D477,850 S 7/2003 Hussaini et al.  
 D511,771 S 11/2005 Burns et al.  
 D519,997 S 5/2006 Hirota  
 D534,530 S 1/2007 Pitt et al.  
 D541,800 S \* 5/2007 Ponnert ..... D14/388  
 D574,850 S 8/2008 Zimman et al.  
 D585,037 S 1/2009 Drozdenko et al.  
 D590,381 S 4/2009 Laine  
 D590,820 S 4/2009 Schellen  
 D594,449 S 6/2009 Wozniak  
 D595,286 S 6/2009 Mitchell et al.  
 D601,135 S 9/2009 Stone  
 D609,225 S 2/2010 Montin et al.  
 D617,793 S 6/2010 Chiang et al.  
 D629,400 S \* 12/2010 Harper ..... D14/390  
 D631,047 S 1/2011 Hirota  
 D635,946 S 4/2011 Garra et al.  
 D639,763 S 6/2011 Kim et al.  
 D642,174 S \* 7/2011 Hirota ..... D14/374  
 D647,108 S \* 10/2011 Lee ..... D14/203.3  
 D676,440 S \* 2/2013 Kita ..... D14/341  
 D689,499 S \* 9/2013 Chen ..... D14/440  
 D690,696 S \* 10/2013 Jonsson ..... D14/390  
 D690,701 S \* 10/2013 Jonsson ..... D14/390

D693,333 S 11/2013 Joe et al.  
 D702,235 S \* 4/2014 Jonsson ..... D14/390  
 D707,645 S 6/2014 Kim et al.  
 D709,480 S 7/2014 Kim  
 D718,307 S 11/2014 Ozolins et al.  
 D719,161 S \* 12/2014 Huebner ..... D14/389  
 D721,377 S 1/2015 Pelster et al.  
 D722,055 S 2/2015 Jonsson et al.  
 D732,513 S 6/2015 Ryu et al.  
 D733,710 S \* 7/2015 Huebner ..... D14/341  
 D739,393 S 9/2015 Chang et al.  
 9,143,127 B2 \* 9/2015 Tamura ..... H03K 17/962  
 D744,484 S \* 12/2015 Huebner ..... D14/389  
 D748,623 S 2/2016 Guo et al.  
 D752,567 S 3/2016 Lee et al.  
 D753,223 S \* 4/2016 Chin ..... D19/113  
 D757,720 S \* 5/2016 Lai ..... D14/341  
 D760,197 S 6/2016 Huebner  
 D766,370 S \* 9/2016 Hoch ..... D19/113  
 D774,502 S 12/2016 Cho et al.  
 D779,448 S 2/2017 Daniel  
 D785,630 S 5/2017 Fujiuchi et al.  
 D798,275 S \* 9/2017 Huang ..... D14/218  
 D810,745 S \* 2/2018 Luo ..... D14/389  
 D812,050 S \* 3/2018 Mitchell ..... D14/341  
 D818,465 S \* 5/2018 Mitchell ..... D14/341  
 D820,252 S \* 6/2018 Huebner ..... D14/341  
 D827,636 S \* 9/2018 Huebner ..... D14/341  
 2007/0060072 A1 \* 3/2007 Sung ..... G01S 19/36  
 455/90.3  
 2011/0050986 A1 3/2011 Wang  
 2014/0263930 A1 \* 9/2014 Huebner ..... F16M 11/10  
 248/558  
 2018/0181212 A1 \* 6/2018 Miyazawa ..... G06F 3/04883

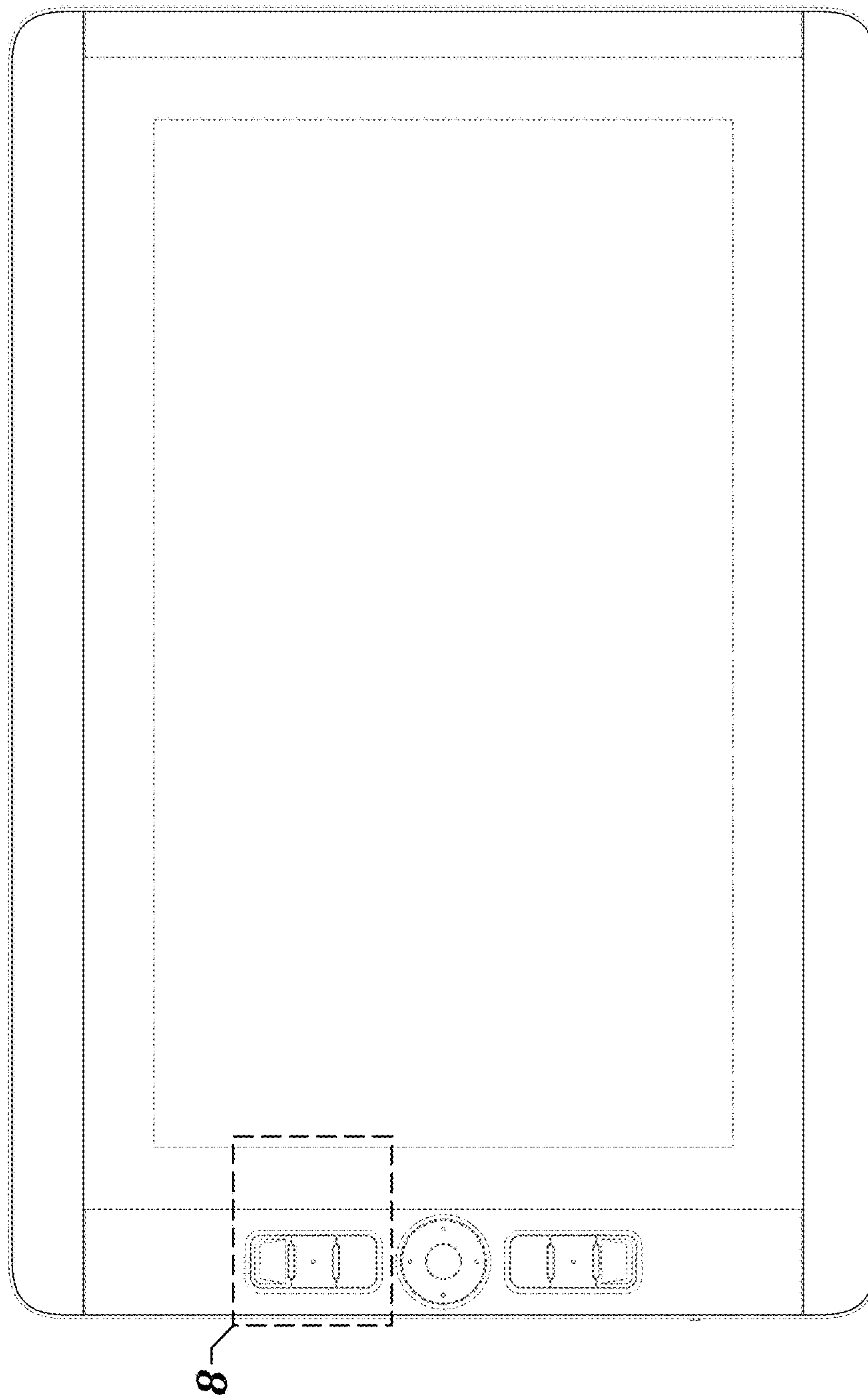
OTHER PUBLICATIONS

Cintiq Companion 2—Enterprise 512GB, announced 2015 [online],  
 <<https://us-store.wacom.com/Product/cintiq-companion-2#/undefined1>> [retrieved May 9, 2017], 2 pages.

\* cited by examiner

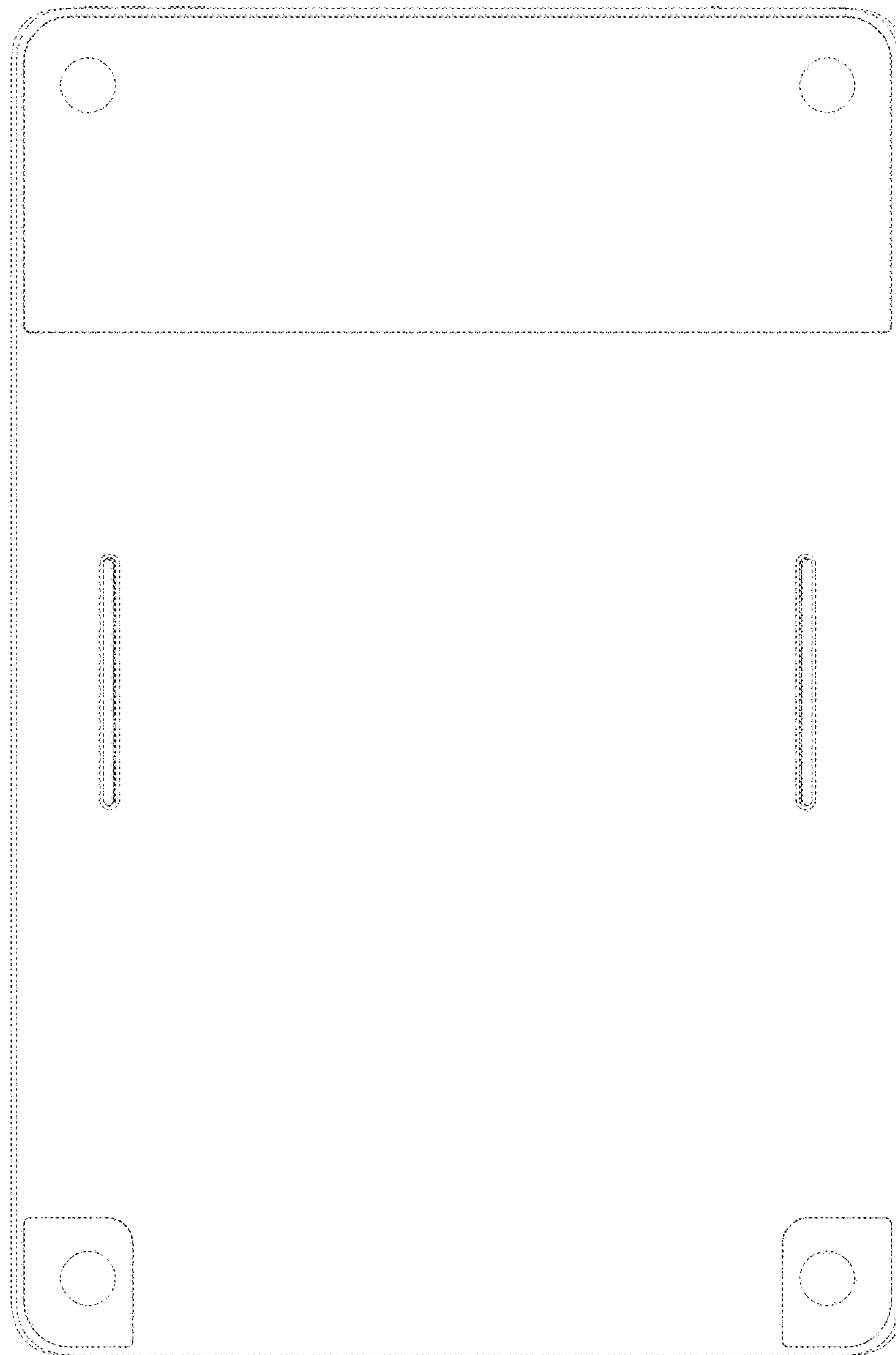


**FIG. 1**

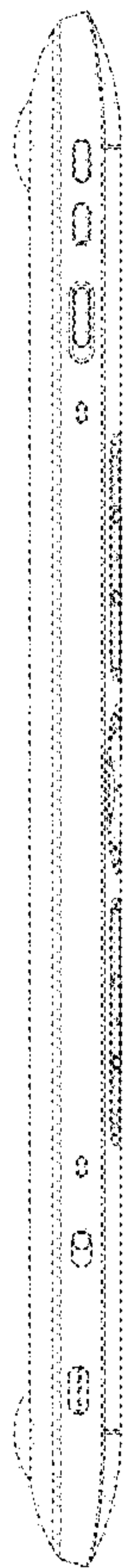


**FIG. 2**

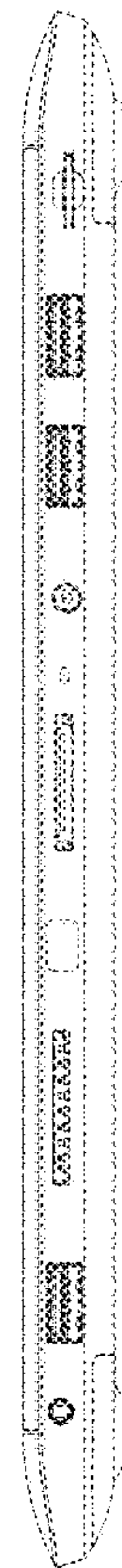




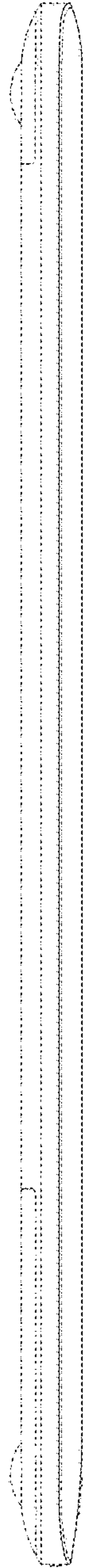
**FIG. 3**



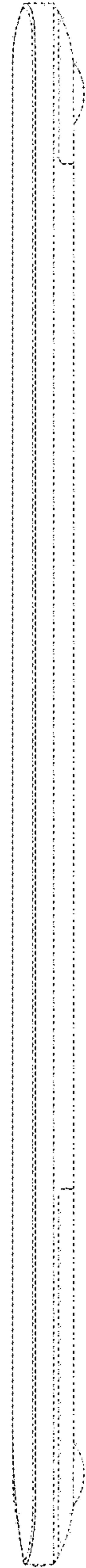
**FIG. 4**



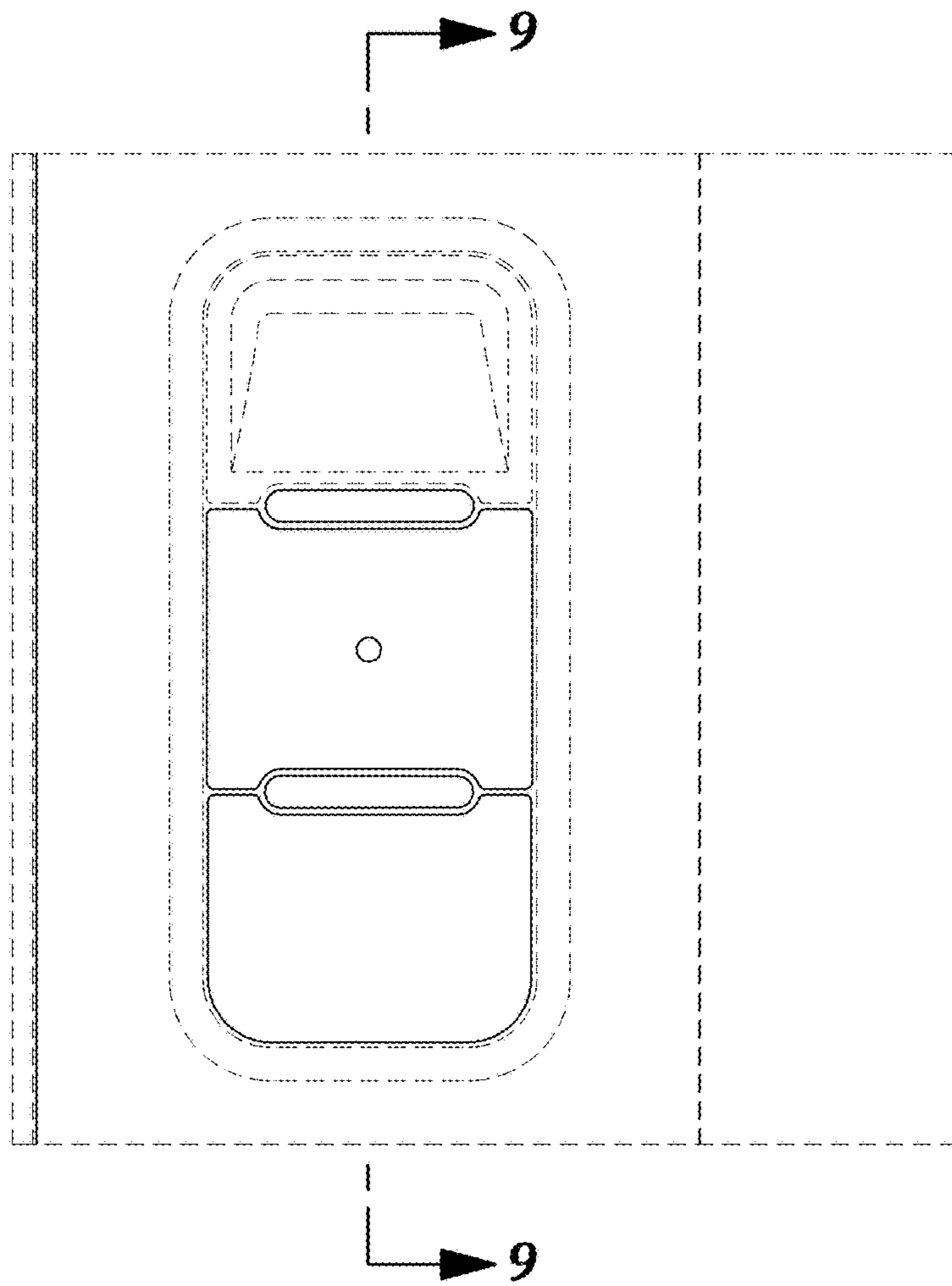
**FIG. 5**



**FIG. 6**

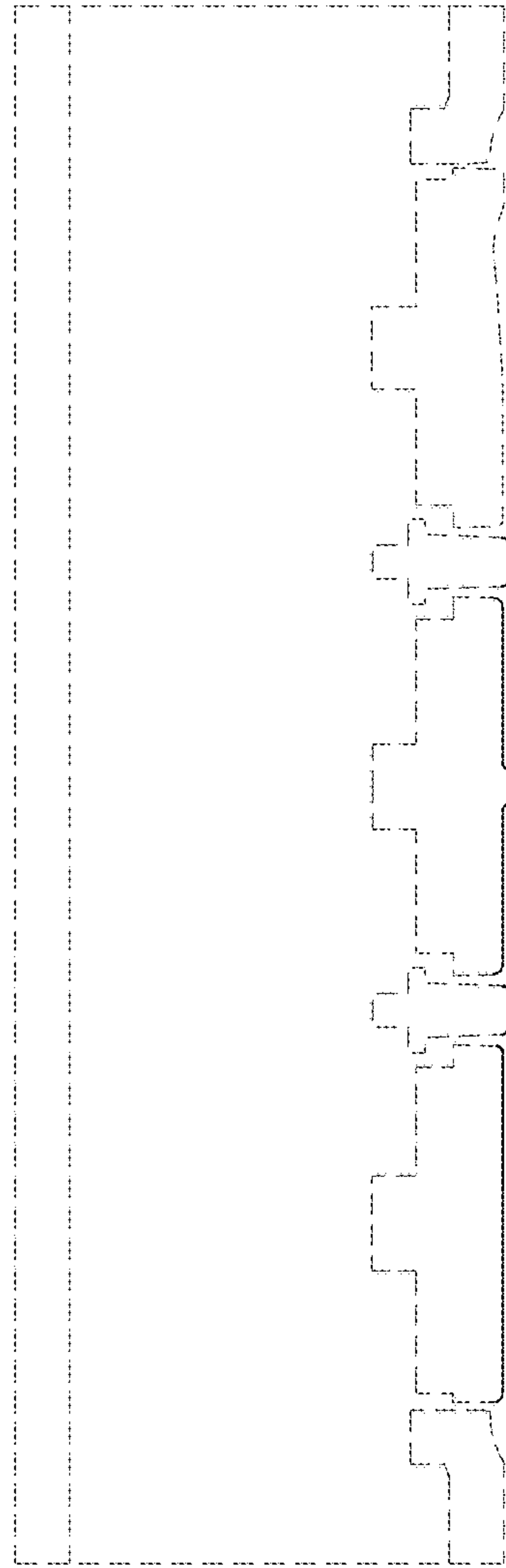


**FIG. 7**

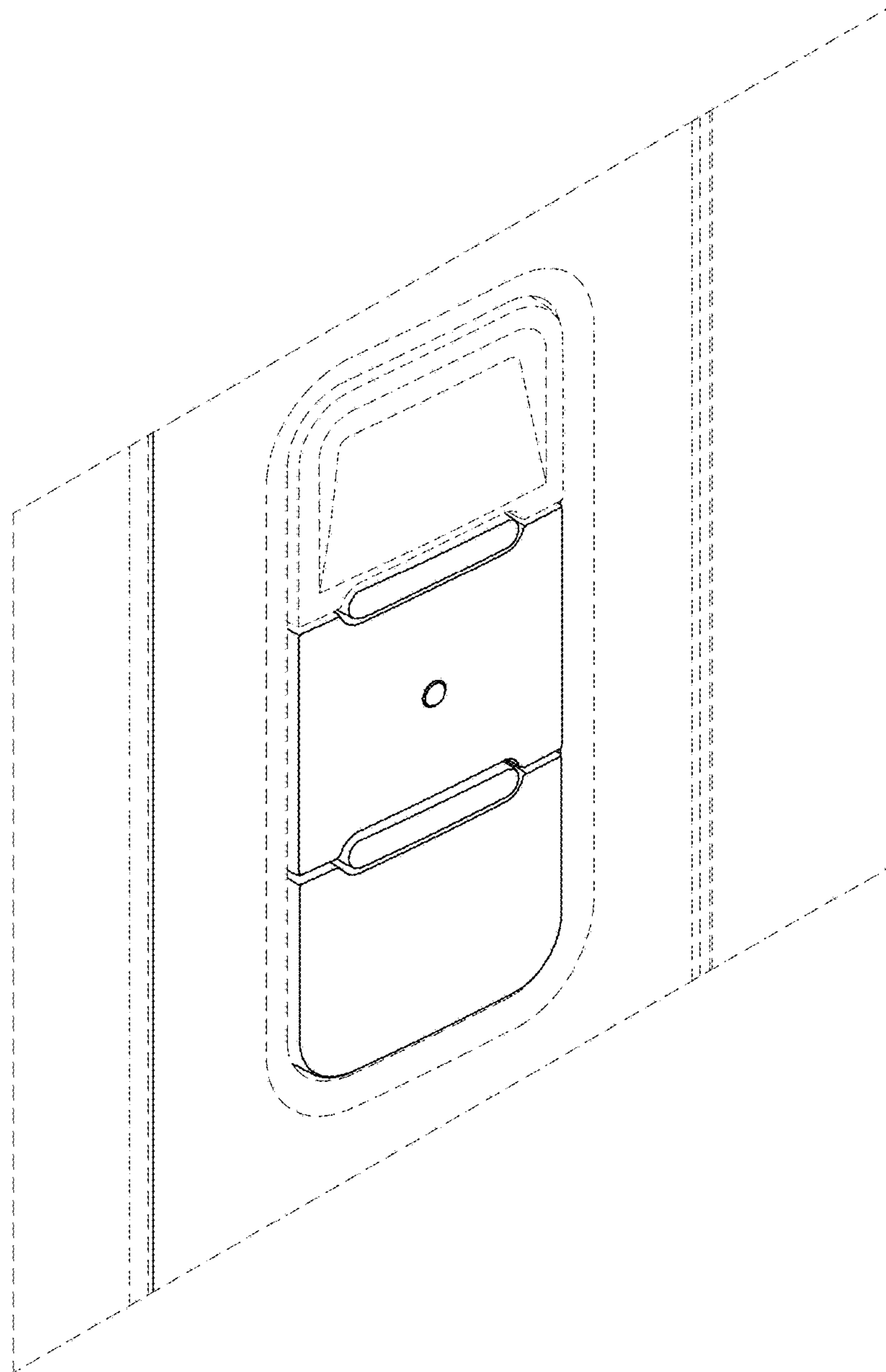


**FIG. 8**





**FIG. 9**



**FIG. 10**