



US00D841644S

(12) **United States Design Patent** (10) **Patent No.:** **US D841,644 S**
McWilliam et al. (45) **Date of Patent:** **** Feb. 26, 2019**

- (54) **ELECTRONIC DEVICE**
- (71) Applicant: **Amazon Technologies, Inc.**, Seattle, WA (US)
- (72) Inventors: **Giles David Matthew McWilliam**, San Francisco, CA (US); **Christopher Green**, San Francisco, CA (US); **Gregory Michael Hart**, Mercer Island, WA (US); **Marc Rene Walliser**, San Francisco, CA (US); **Sun Joo Han**, San Francisco, CA (US)
- (73) Assignee: **Amazon Technologies, Inc.**, Seattle, WA (US)
- (**) Term: **15 Years**
- (21) Appl. No.: **29/629,112**
- (22) Filed: **Dec. 11, 2017**

- D499,730 S 12/2004 Yamashiro
 - D503,391 S * 3/2005 Kato D14/126
 - D508,471 S 8/2005 Chen et al.
 - D514,535 S 2/2006 Villalobos et al.
 - D514,536 S * 2/2006 Villalobos D14/128
- (Continued)

FOREIGN PATENT DOCUMENTS

WO D069598017 1/2008

OTHER PUBLICATIONS

Canadian Office Action dated Feb. 7, 2017 for Canadian Design Application No. 171063, a counterpart foreign application of Design U.S. Appl. No. 29/562,671, 2 pages.
(Continued)

Primary Examiner — Bridget L Eland
Assistant Examiner — Lauren D McVey
(74) *Attorney, Agent, or Firm* — Lee & Hayes, P.C.

(57) **CLAIM**

The ornamental design for an electronic device, as shown and described.

DESCRIPTION

FIG. 1 is a bottom front perspective view of an electronic device, showing our new design;
FIG. 2 is a top back perspective view thereof;
FIG. 3 is a front view of FIG. 1;
FIG. 4 is a back view of FIG. 1;
FIG. 5 is a left-side view of FIG. 1;
FIG. 6 is a right-side view of FIG. 1;
FIG. 7 is a top view of FIG. 1; and,
FIG. 8 is a bottom view of FIG. 1.
The broken lines immediately adjacent the shaded areas represent the bounds of the claimed design while all other broken lines are directed to environment and are for illustrative purposes only; the broken lines form no part of the claimed design.

1 Claim, 8 Drawing Sheets

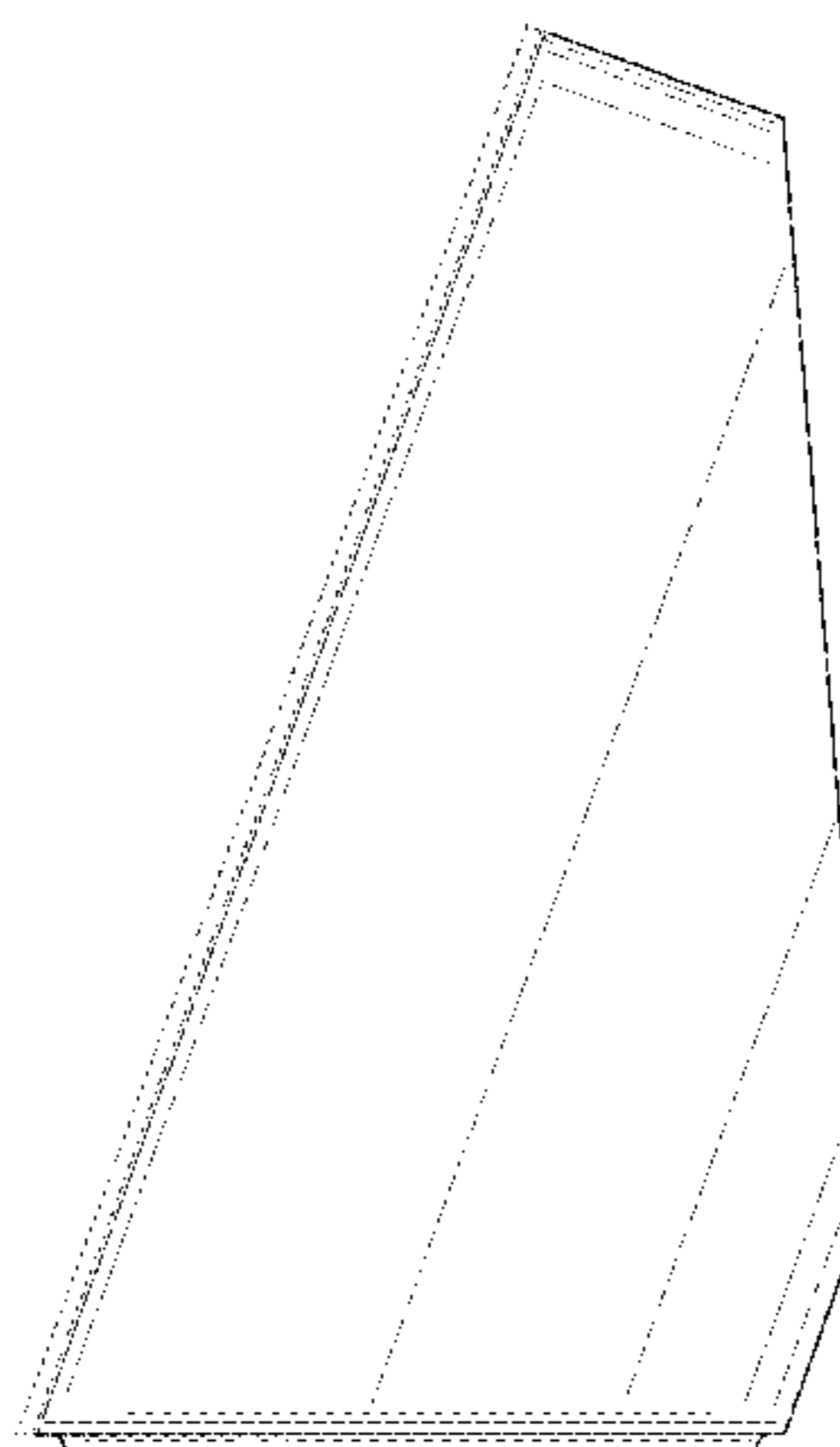
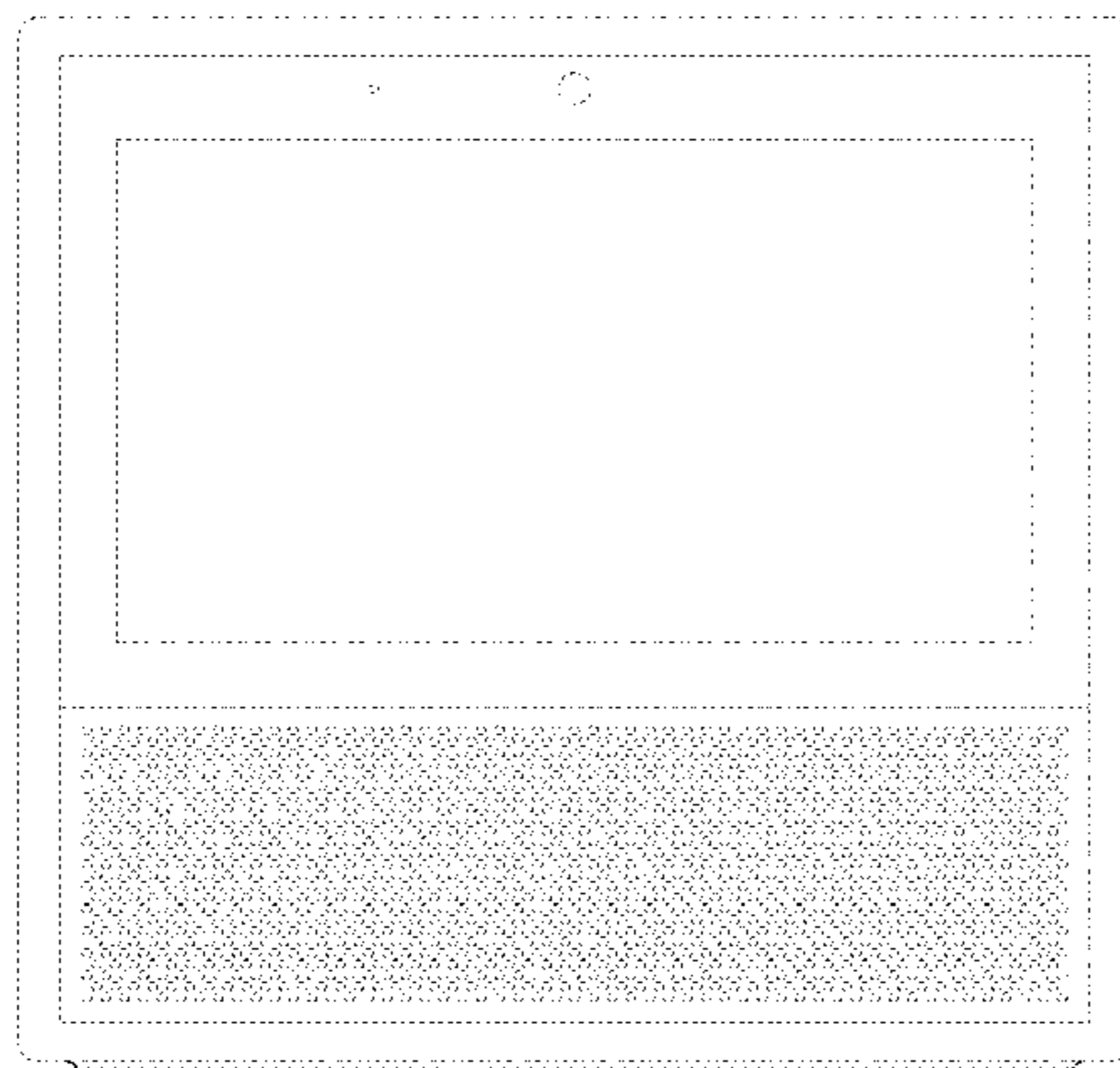
Related U.S. Application Data

- (62) Division of application No. 29/562,671, filed on Apr. 27, 2016, now Pat. No. Des. 806,066.
- (51) **LOC (11) Cl.** **14-02**
- (52) **U.S. Cl.**
USPC **D14/314**
- (58) **Field of Classification Search**
USPC D14/314, 336, 341, 371, 373, 374, 375, D14/376, 377, 126, 127, 128, 129; D13/162-164, 177, 184; D10/51, 106.6, D10/106.8, 116.1, 2, 15, 17
CPC G06F 1/1601; G06F 1/1605; G06F 1/162
See application file for complete search history.

(56) **References Cited**

U.S. PATENT DOCUMENTS

- D348,056 S 6/1994 Savio
- D456,020 S * 4/2002 Obata D14/336
- D486,456 S * 2/2004 Fujiki D14/126



(56)

References Cited

U.S. PATENT DOCUMENTS

D514,565 S	2/2006	Haygood	
D538,765 S *	3/2007	Park	D14/128
D551,193 S *	9/2007	Ooshima	D14/128
D558,700 S *	1/2008	Onoda	D14/128
D558,701 S *	1/2008	Onoda	D14/128
D571,749 S	6/2008	Barnett et al.	
D585,056 S	1/2009	Ekelund	
D612,503 S	3/2010	Johnston et al.	
D694,229 S	11/2013	Wolf	
D697,910 S	1/2014	Bianco et al.	
D703,311 S	4/2014	Daly	
D739,365 S	9/2015	Garcia	
D747,763 S *	1/2016	Haller	D18/4.5
D789,362 S	6/2017	Eljas	
D806,066 S *	12/2017	McWilliam	D14/314

OTHER PUBLICATIONS

Canadian Office Action dated May 26, 2017 for Canadian Design Application No. 171063, a counterpart foreign application of Design U.S. Appl. No. 29/562,671, 1 page.
 First Examination Report dated Nov. 30, 2016 for CN design application No. 288067, a counterpart foreign application of Design U.S. Appl. No. 29/562,671, 2 pages.

First Examination Report dated Nov. 30, 2016 for CN design application No. 288066, a counterpart foreign application of Design U.S. Appl. No. 29/562,671, 2 pages.
 Chinese Office Action dated May 27, 2017 for Chinese Design Application No. 201630532285.3, a counterpart foreign application of Design U.S. Appl. No. 29/562,671, 1 page.
 Japanese Office Action dated Feb. 10, 2017 for Japanese Design Application No. 2016-023223, a counterpart foreign application of Design U.S. Appl. No. 29/562,671, 4 pages.
 Korean Office Action dated Apr. 20, 2017 for Korean design application No. 30/2016-51481 M001, a counterpart foreign application of Design U.S. Appl. No. 29/562,671, 2 pages.
 Korean Office Action dated Apr. 20, 2017 for Korean design application No. 30-2016-51481 M002, a counterpart foreign application of Design U.S. Appl. No. 29/562,671, 2 pages.
 Korean Office Action dated Apr. 20, 2017 for Korean design application No. 30-2016-51481 M003, a counterpart foreign application of Design U.S. Appl. No. 29/562,671, 2 pages.
 Korean Office Action dated Apr. 20, 2017 for Korean design application No. 30-2016-51481 M004, a counterpart foreign application of Design U.S. Appl. No. 29/562,671, 2 pages.
 YouTube, "Introducing Echo Show", published May 9, 2017, Amazon Echo, retrieved from <https://www.youtube.com/watch?v=WQqxCeHhmeU> on Jul. 25, 2017, 2 pages.

* cited by examiner

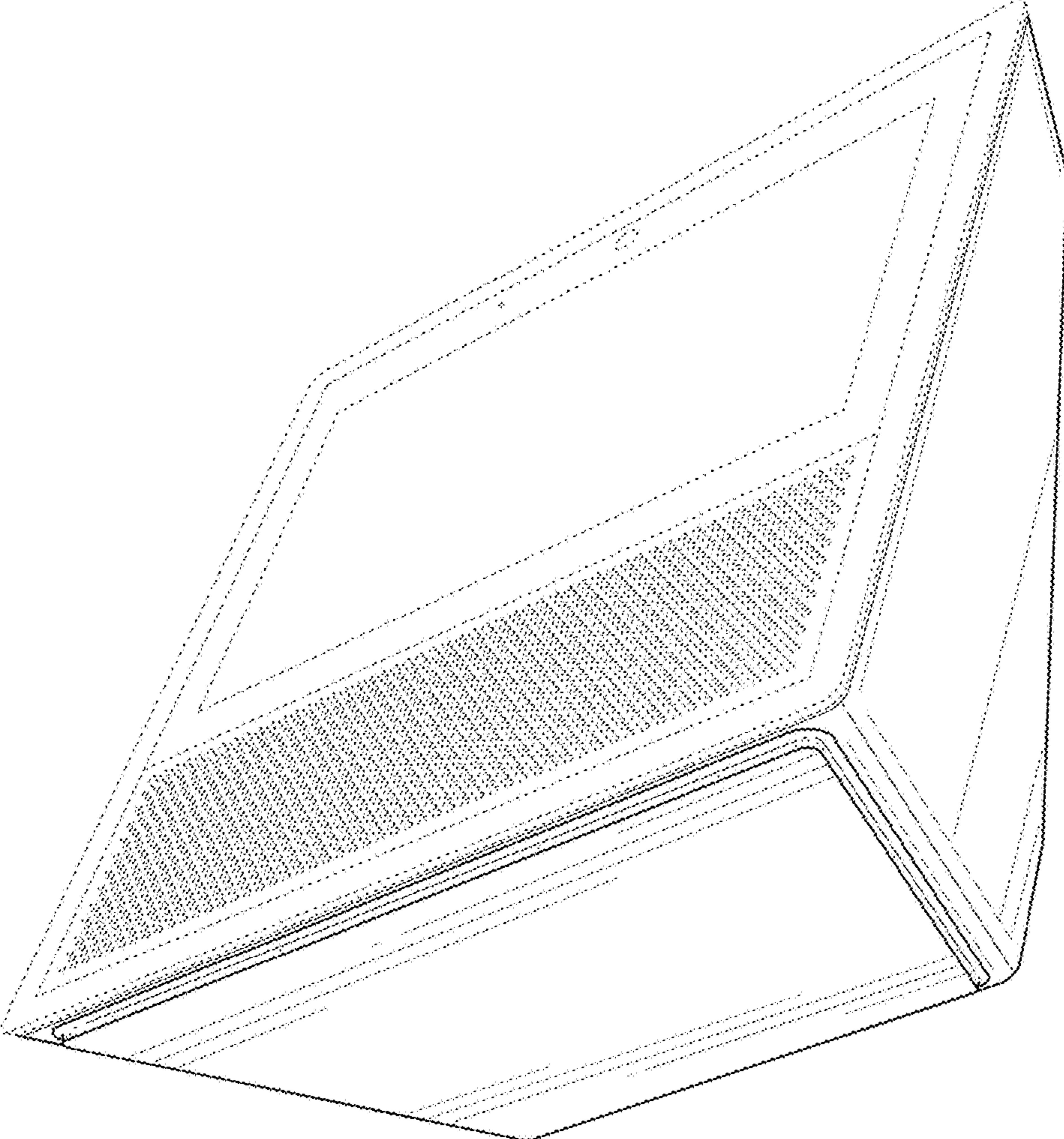


FIG. 1

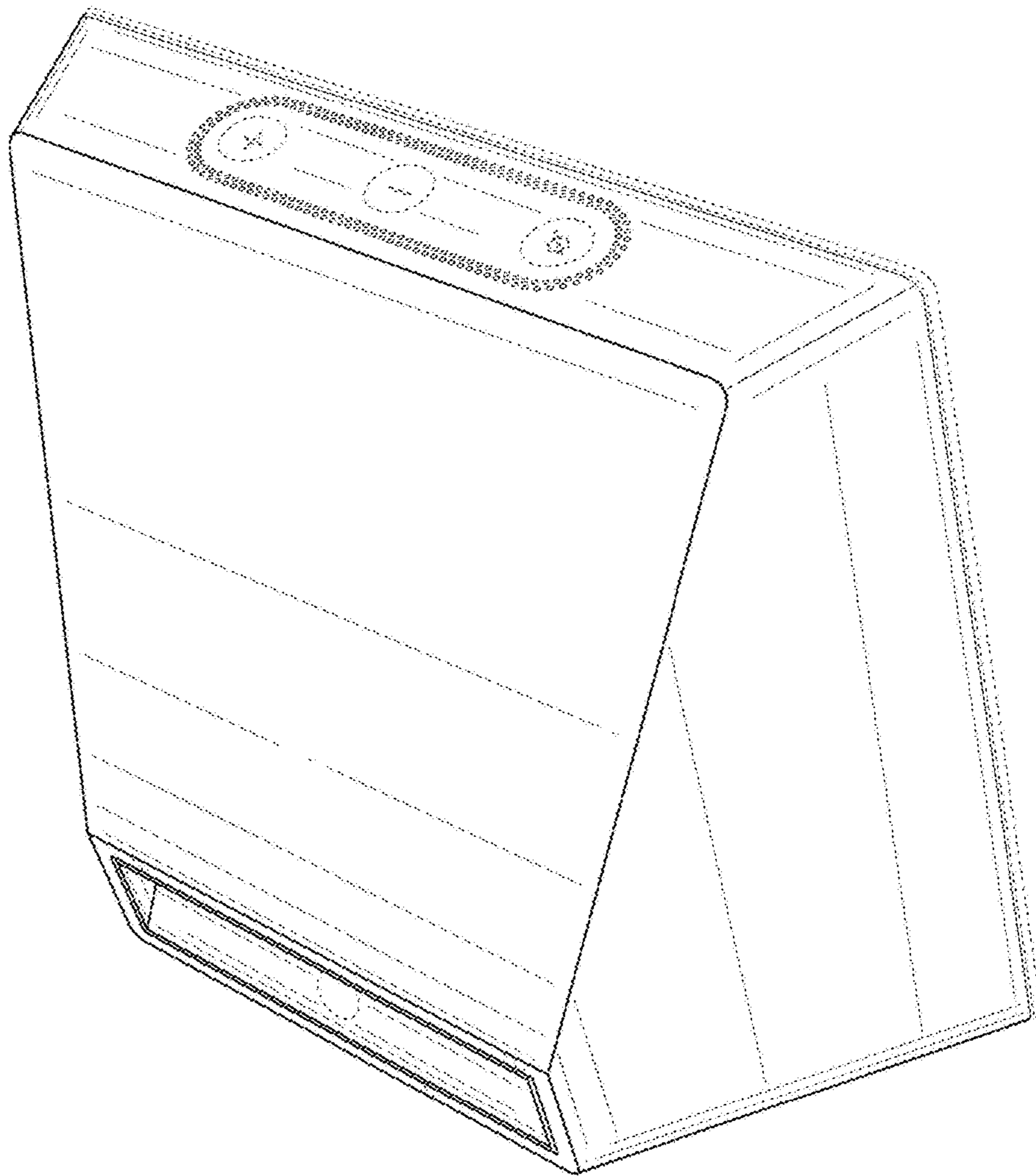


FIG. 2

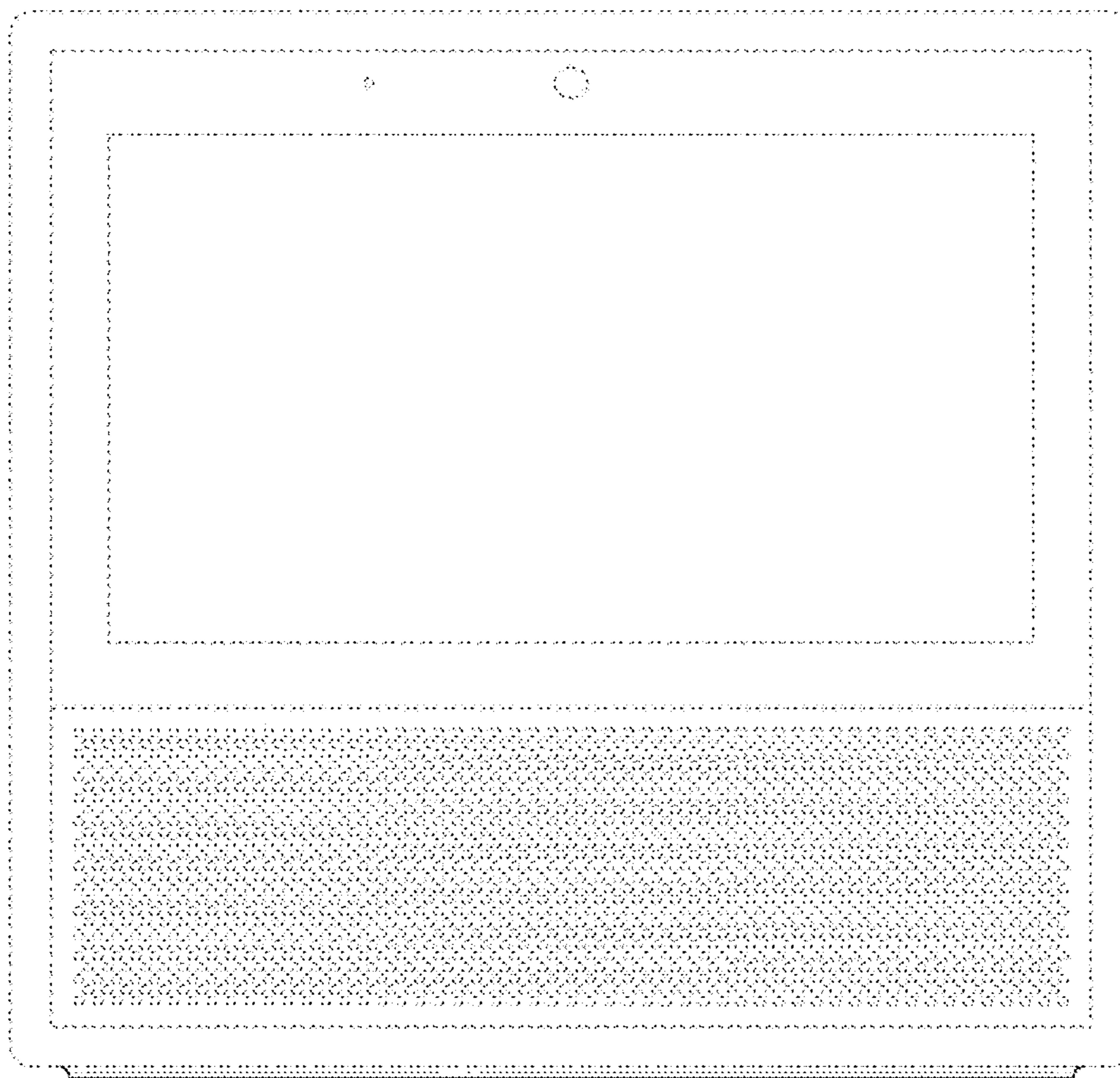


FIG. 3

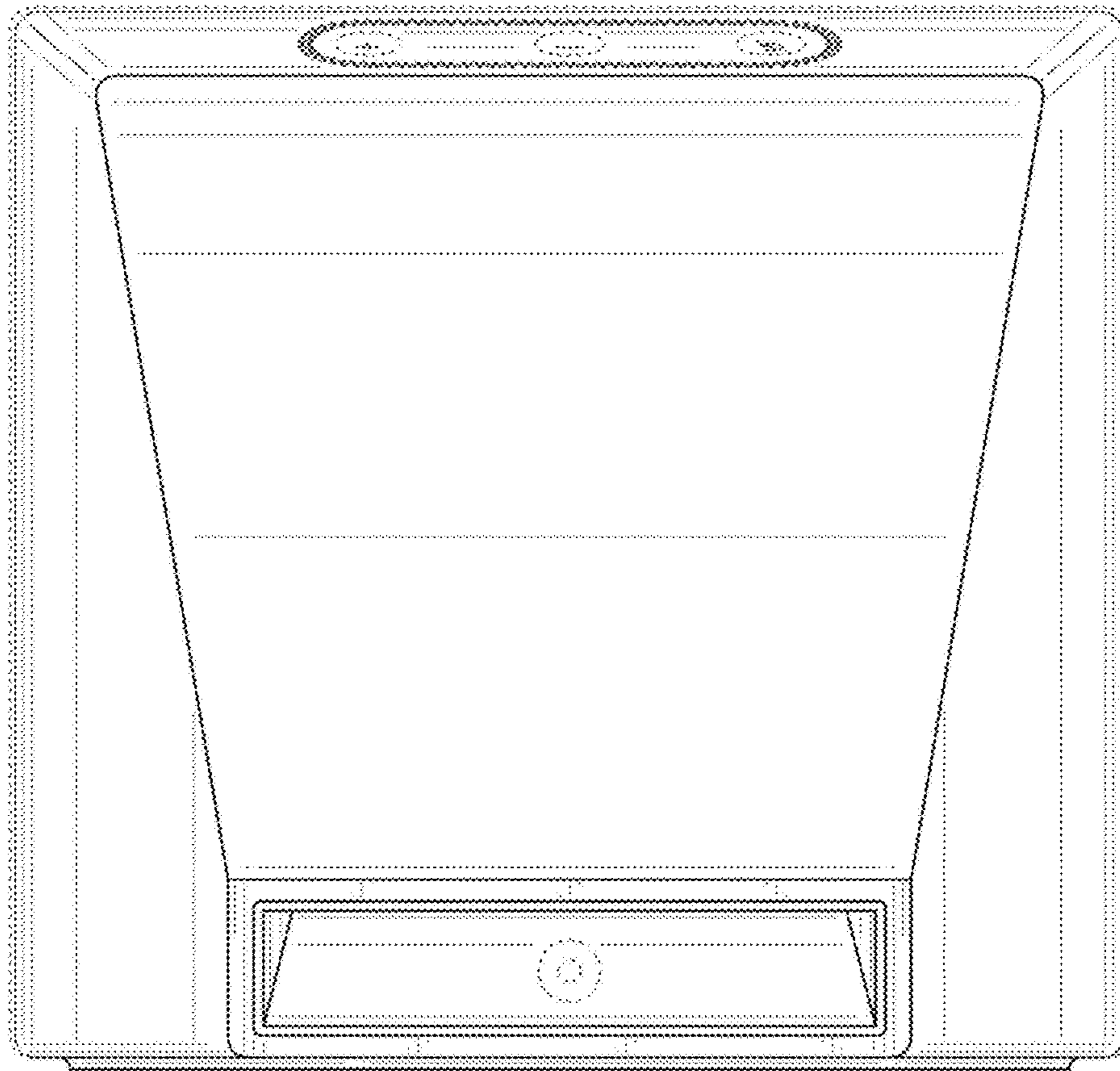


FIG. 4

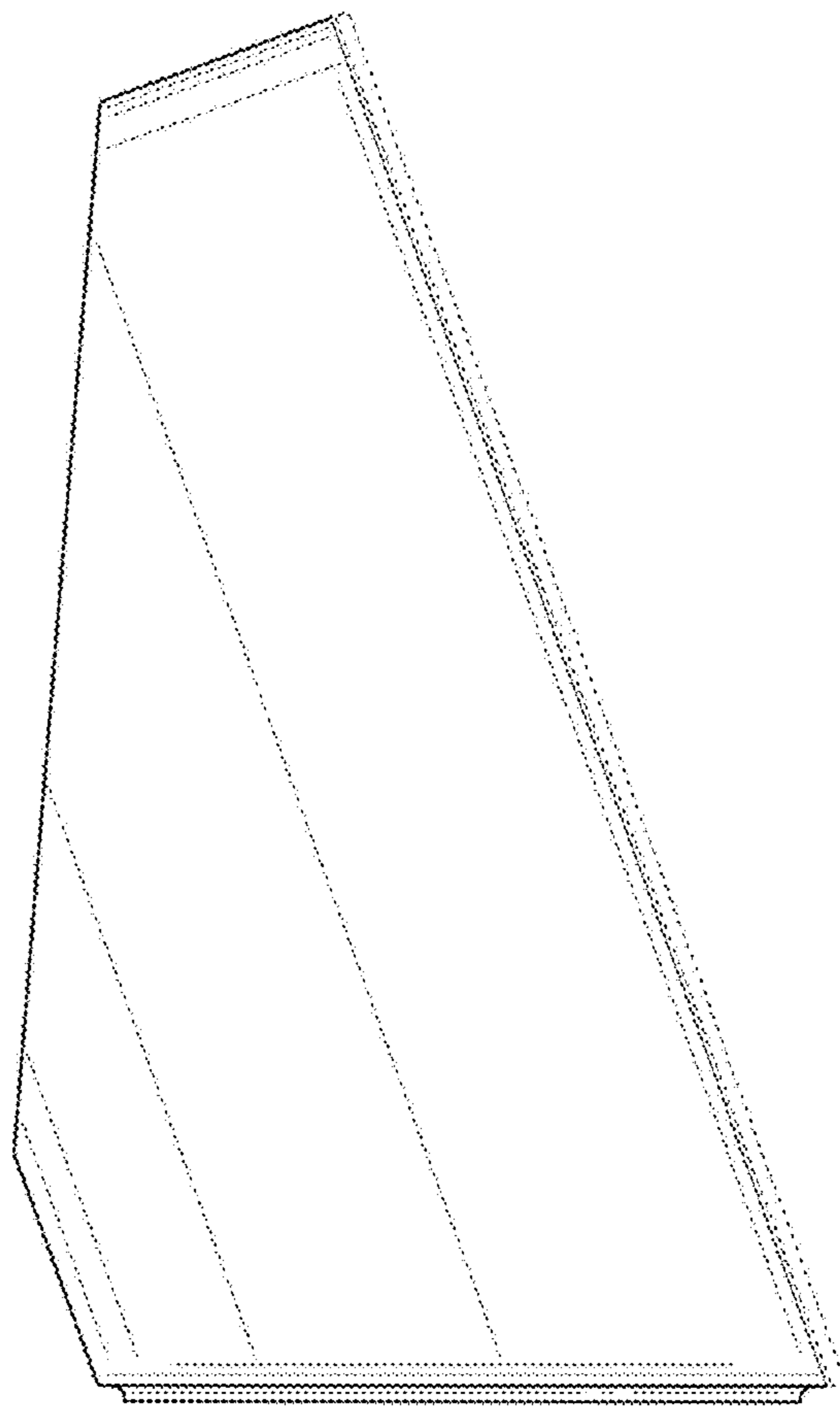


FIG. 5

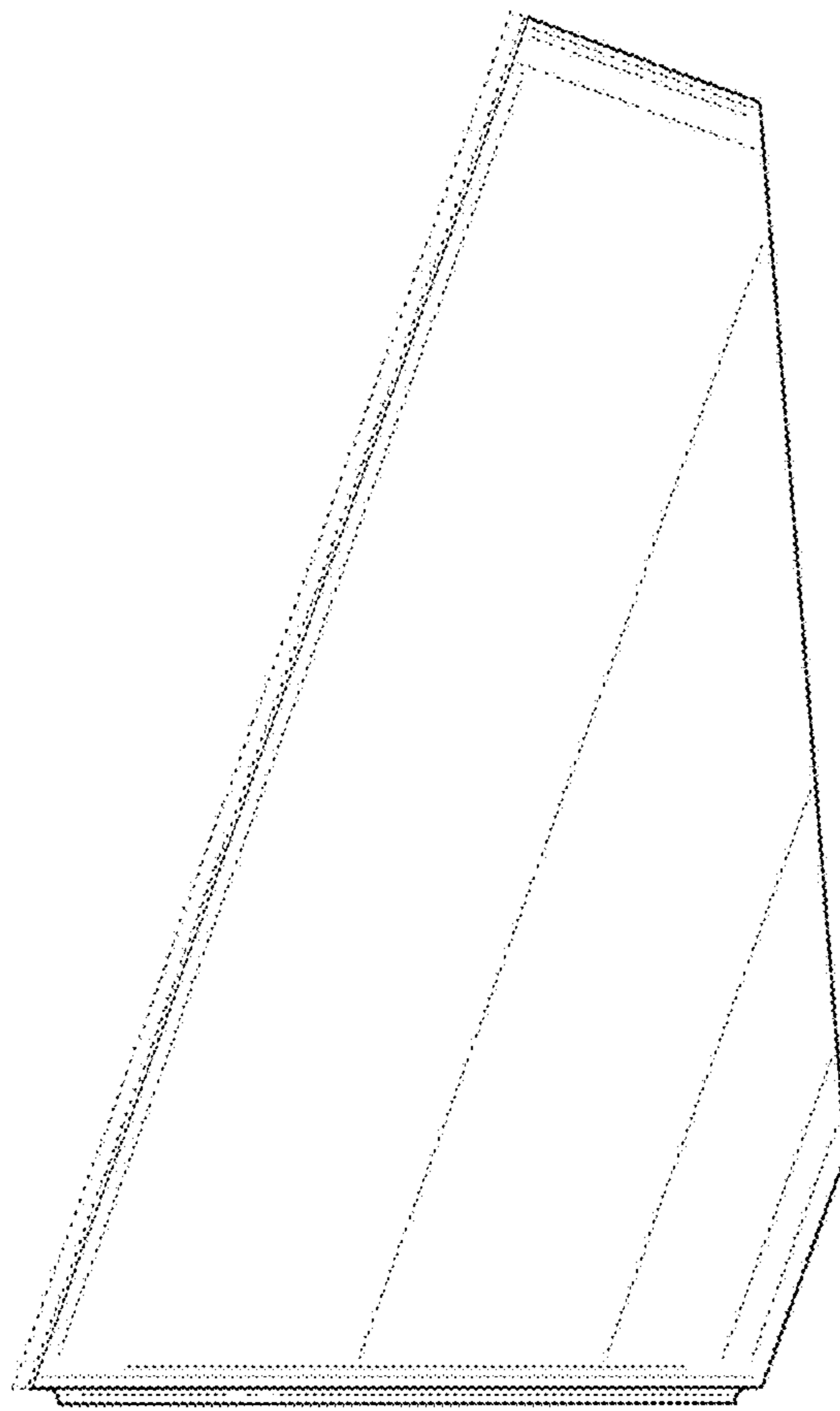


FIG. 6

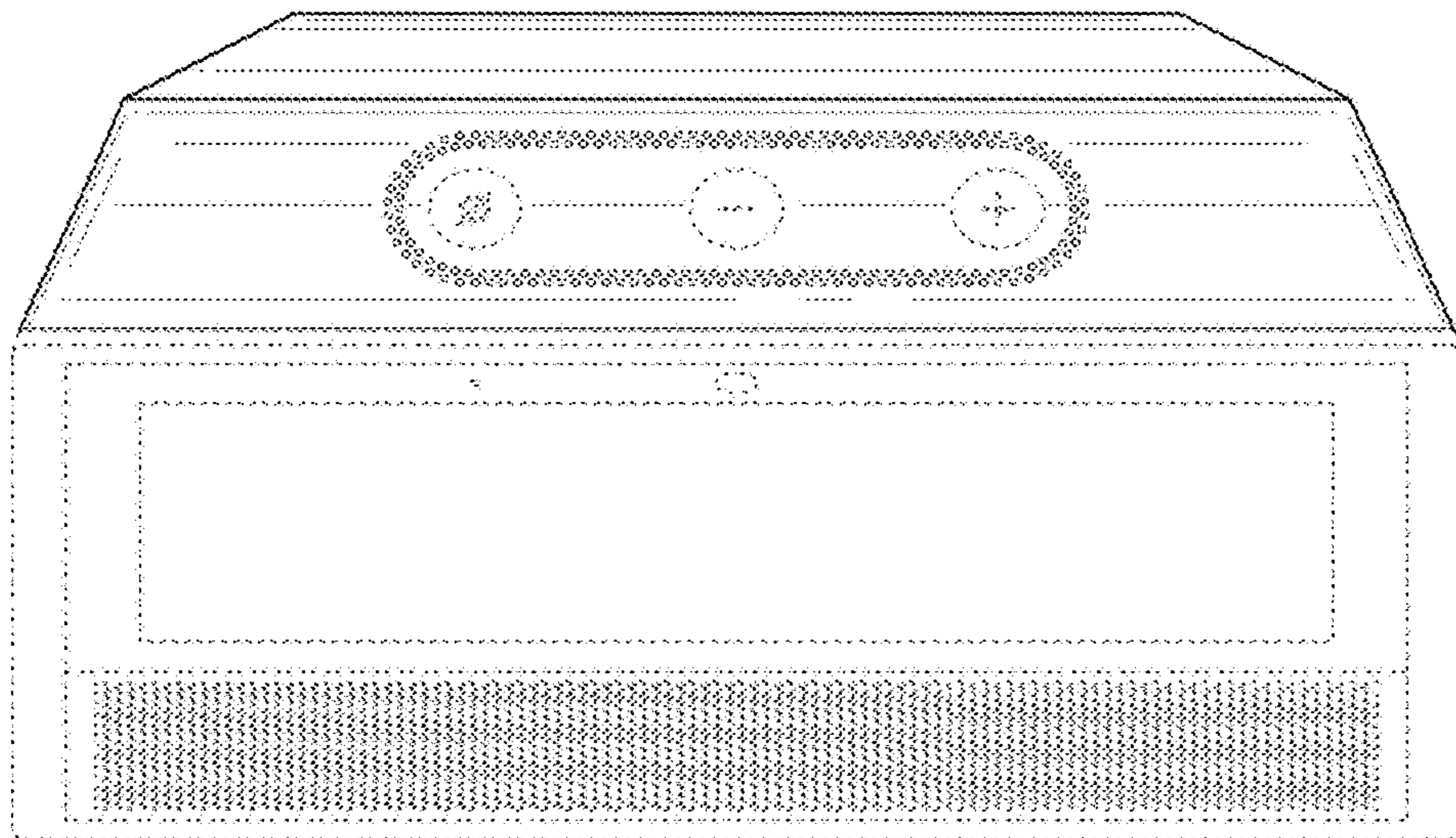


FIG. 7

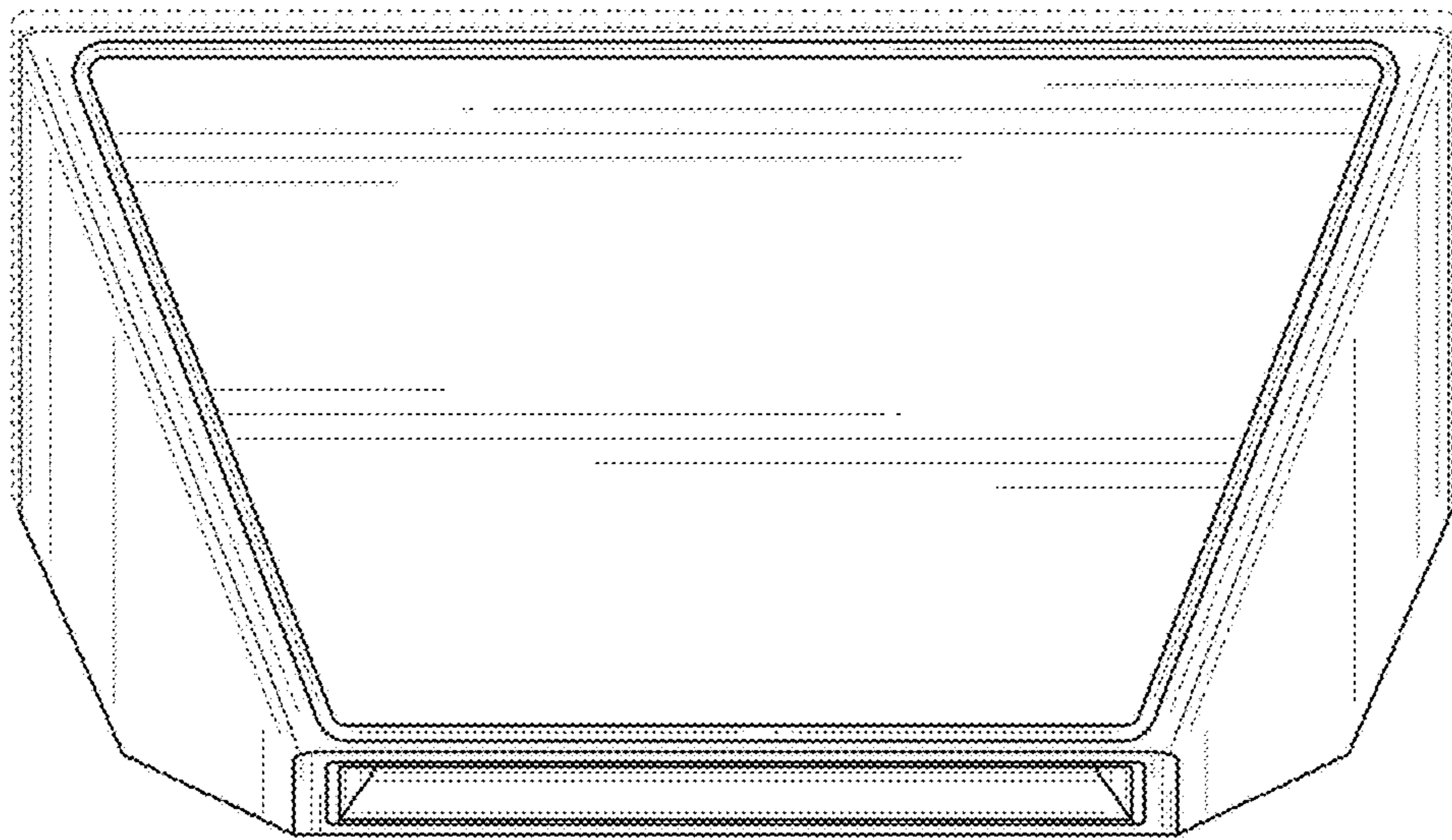


FIG. 8