



US00D841643S

(12) **United States Design Patent** (10) **Patent No.:** **US D841,643 S**
Dillon et al. (45) **Date of Patent:** **** Feb. 26, 2019**

(54) **FINANCIAL SERVICES KIOSK**
(71) Applicants: **John Dillon**, Gilbert, AZ (US); **Jim W. Ransco**, Paradise Valley, AZ (US); **John W. Smith**, Gilbert, AZ (US)
(72) Inventors: **John Dillon**, Gilbert, AZ (US); **Jim W. Ransco**, Paradise Valley, AZ (US); **John W. Smith**, Gilbert, AZ (US)

D591,799 S * 5/2009 Yang D14/307
D626,353 S * 11/2010 Magruder D14/307
D708,676 S * 7/2014 Ballman D14/307
D752,573 S * 3/2016 Ballman D14/307
D769,864 S * 10/2016 Hoffmann D14/307
D808,380 S * 1/2018 Dillon D14/307
D809,068 S * 1/2018 Ballman D21/369
D809,069 S * 1/2018 Ballman D21/369
D815,628 S * 4/2018 Berini D14/307
2003/0001010 A1 * 1/2003 Schmidt A47F 9/04
235/385
2007/0205277 A1 * 9/2007 Tashiro A47F 9/04
235/383
2007/0235531 A1 * 10/2007 Addison A47F 9/04
235/383
2013/0191170 A1 * 7/2013 Jarrett G06Q 40/08
705/4

(73) Assignee: **DBSI, Inc.**, Chandler, AZ (US)
(**) Term: **15 Years**

(21) Appl. No.: **29/629,198**

(22) Filed: **Dec. 12, 2017**

Related U.S. Application Data

(62) Division of application No. 29/560,814, filed on Apr. 11, 2016, now Pat. No. Des. 808,380.

(51) **LOC (11) Cl.** **14-02**

(52) **U.S. Cl.**
USPC **D14/307**

(58) **Field of Classification Search**
USPC D14/302-307, 900-902; D13/163;
D20/10; D21/332, 325, 369, 370;
D99/28; D6/397, 466; 194/206;
361/679.01, 679.02, 679.04, 679.21,
361/679.57, 725
CPC G06Q 20/18; G06Q 20/10; G06Q 20/123;
G06Q 20/20; G06Q 30/02; G06Q 30/06;
A47F 9/047
See application file for complete search history.

(56) **References Cited**

U.S. PATENT DOCUMENTS

D470,895 S * 2/2003 Cole D21/325
D566,702 S * 4/2008 Malone D14/307

* cited by examiner

Primary Examiner — Austin Murphy

(74) *Attorney, Agent, or Firm* — Morgan Law Offices, PLC

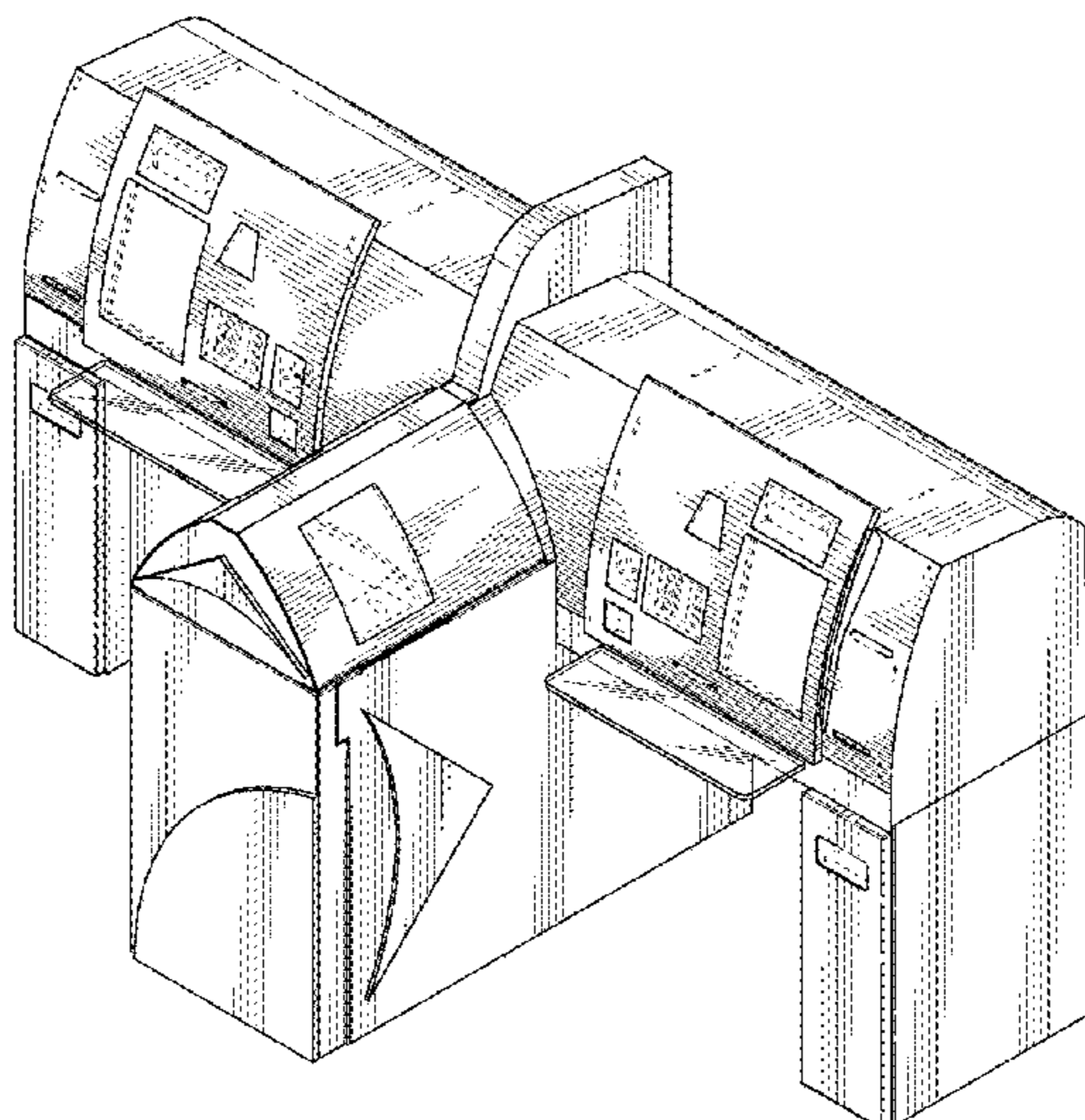
(57) **CLAIM**

The ornamental design for the financial services kiosk, as shown and described.

DESCRIPTION

FIG. 1 is a perspective view of a third embodiment of a financial services kiosk, showing our new design; FIG. 2 is a first view thereof; FIG. 3 is a second side view thereof; FIG. 4 is a third side view thereof; FIG. 5 is a fourth side view thereof; FIG. 6 is a top plan view thereof; and, FIG. 7 is a bottom plan view thereof. Broken lines in the drawings are for illustrative purposes only and form no part of the claimed design.

1 Claim, 7 Drawing Sheets



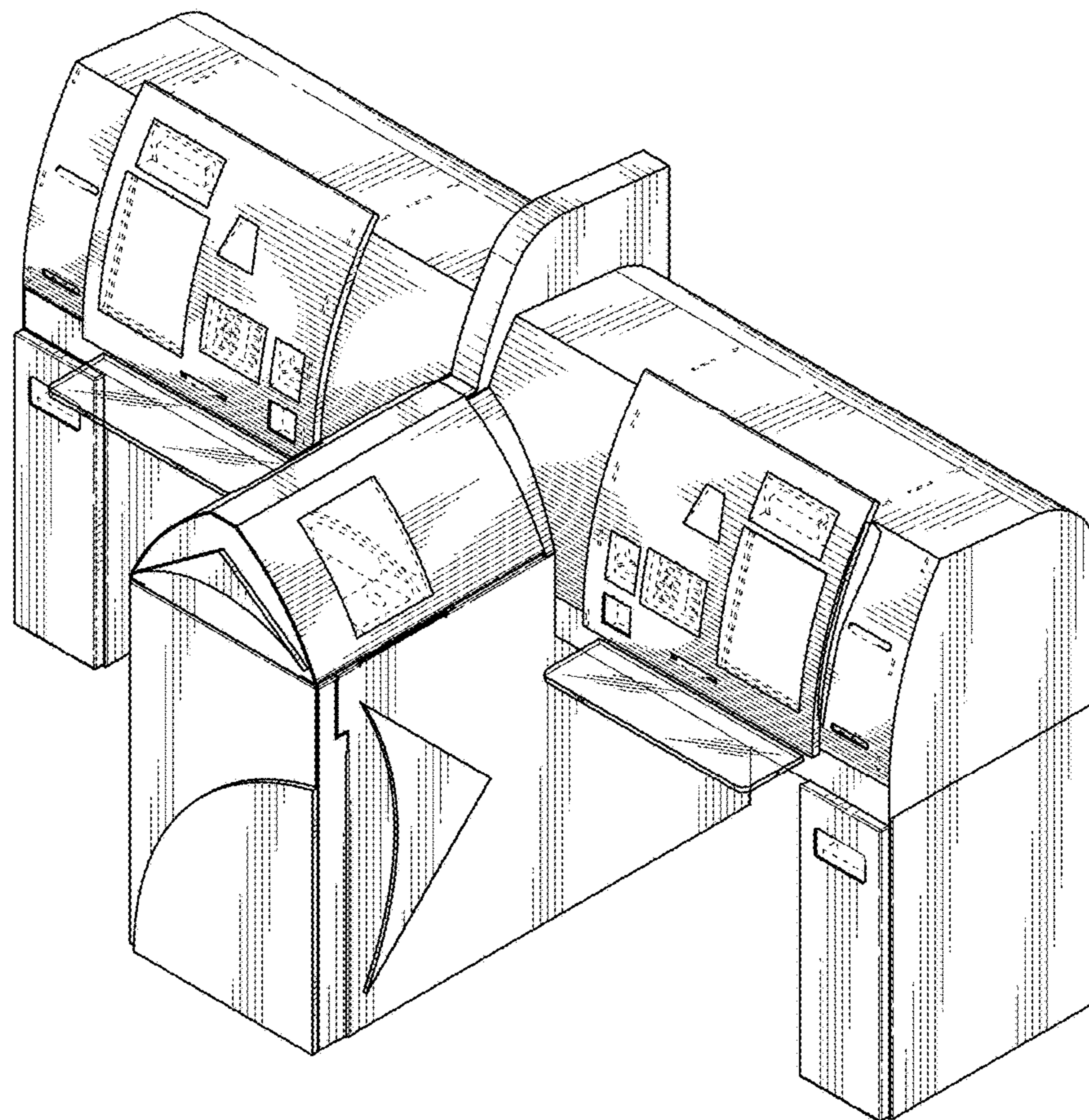


FIG. 1

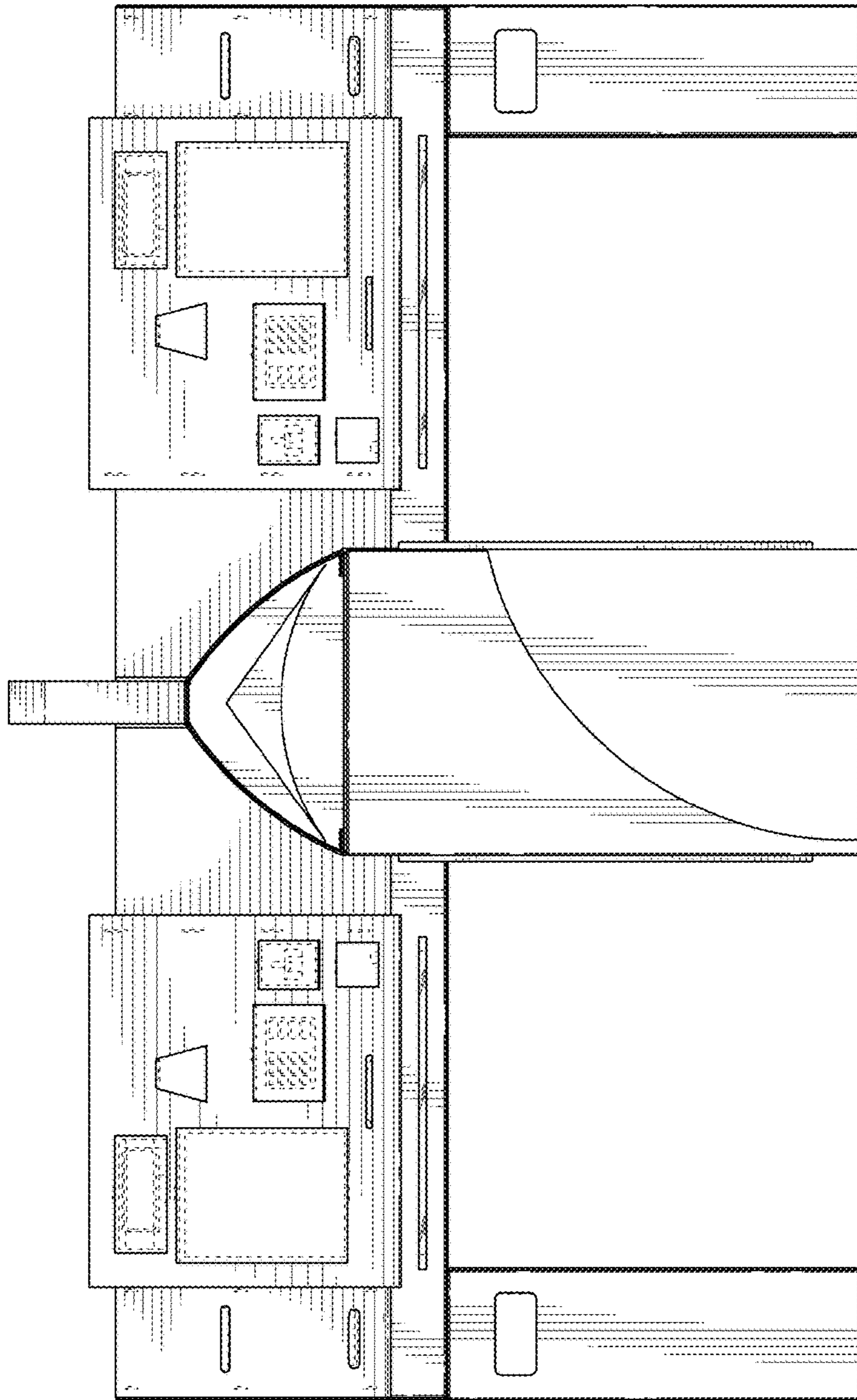


FIG. 2

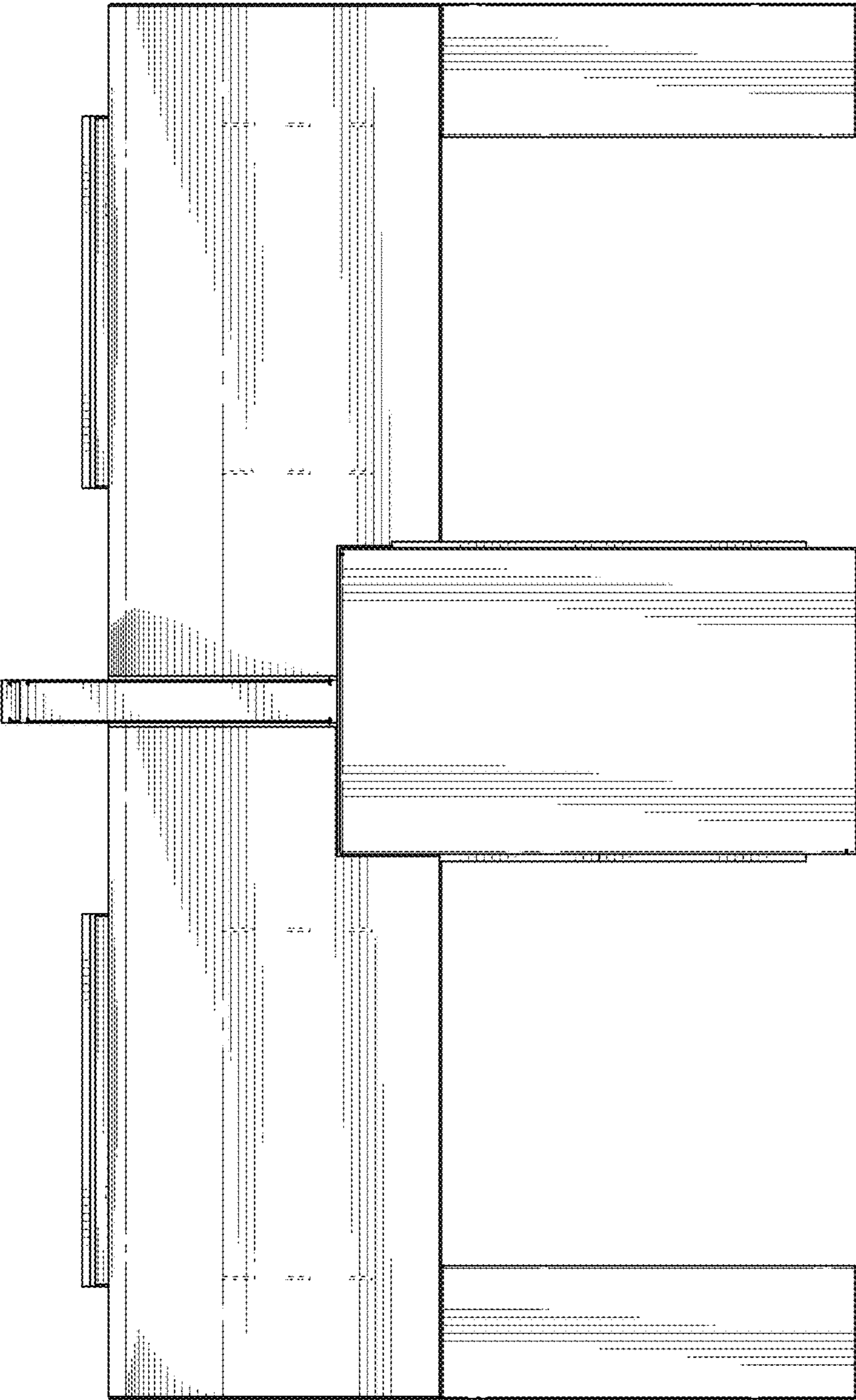


FIG. 3

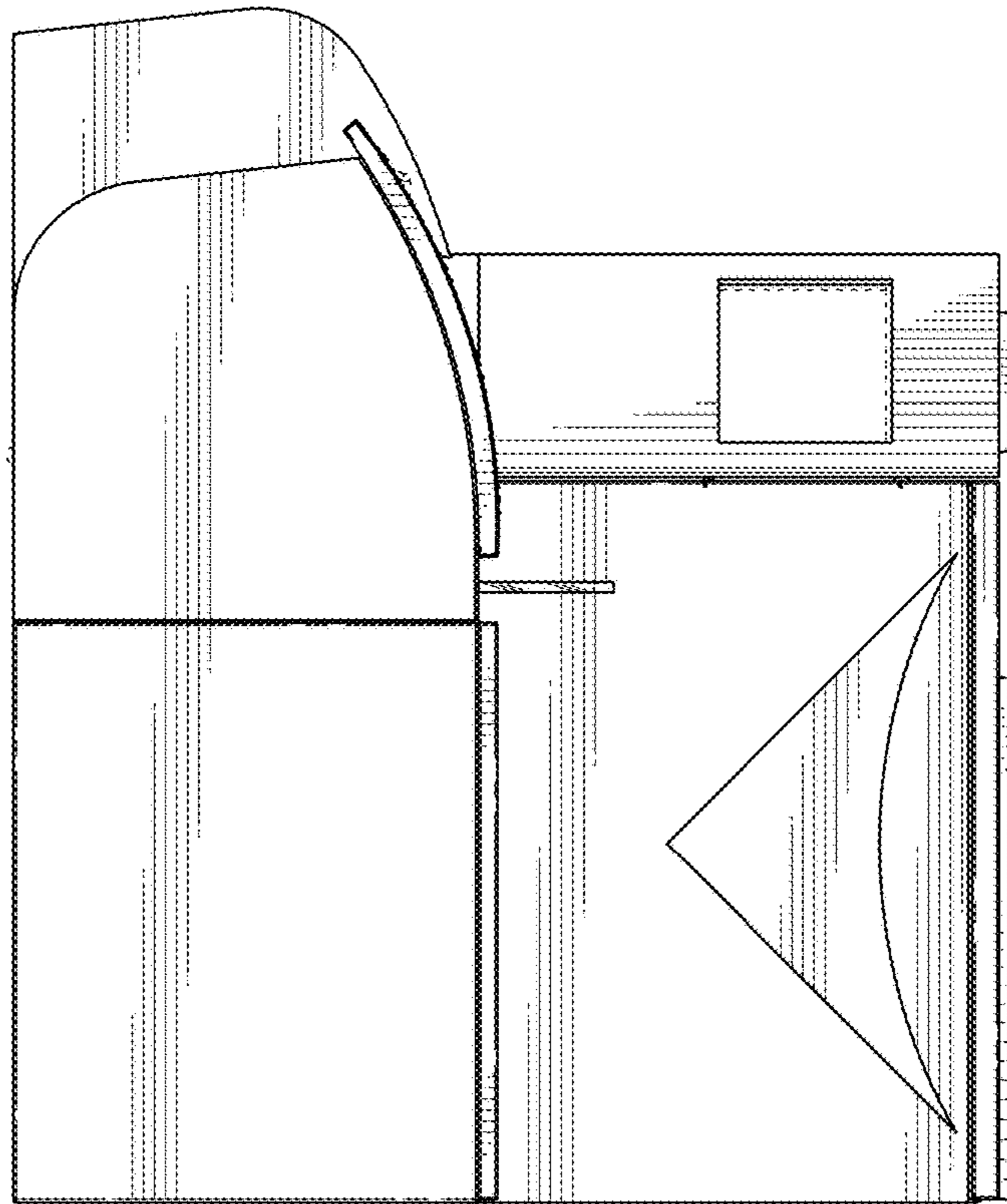


FIG. 4

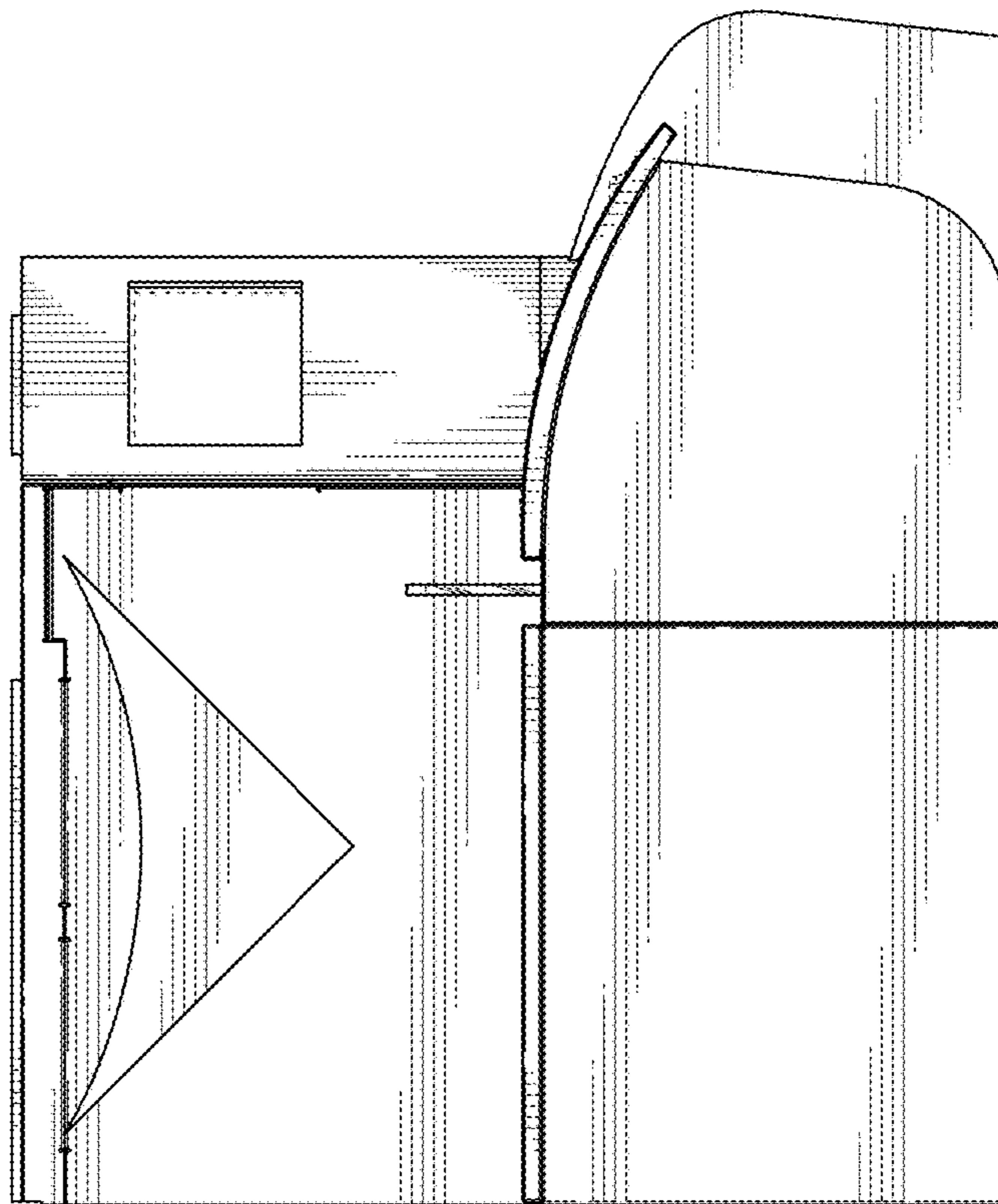


FIG. 5

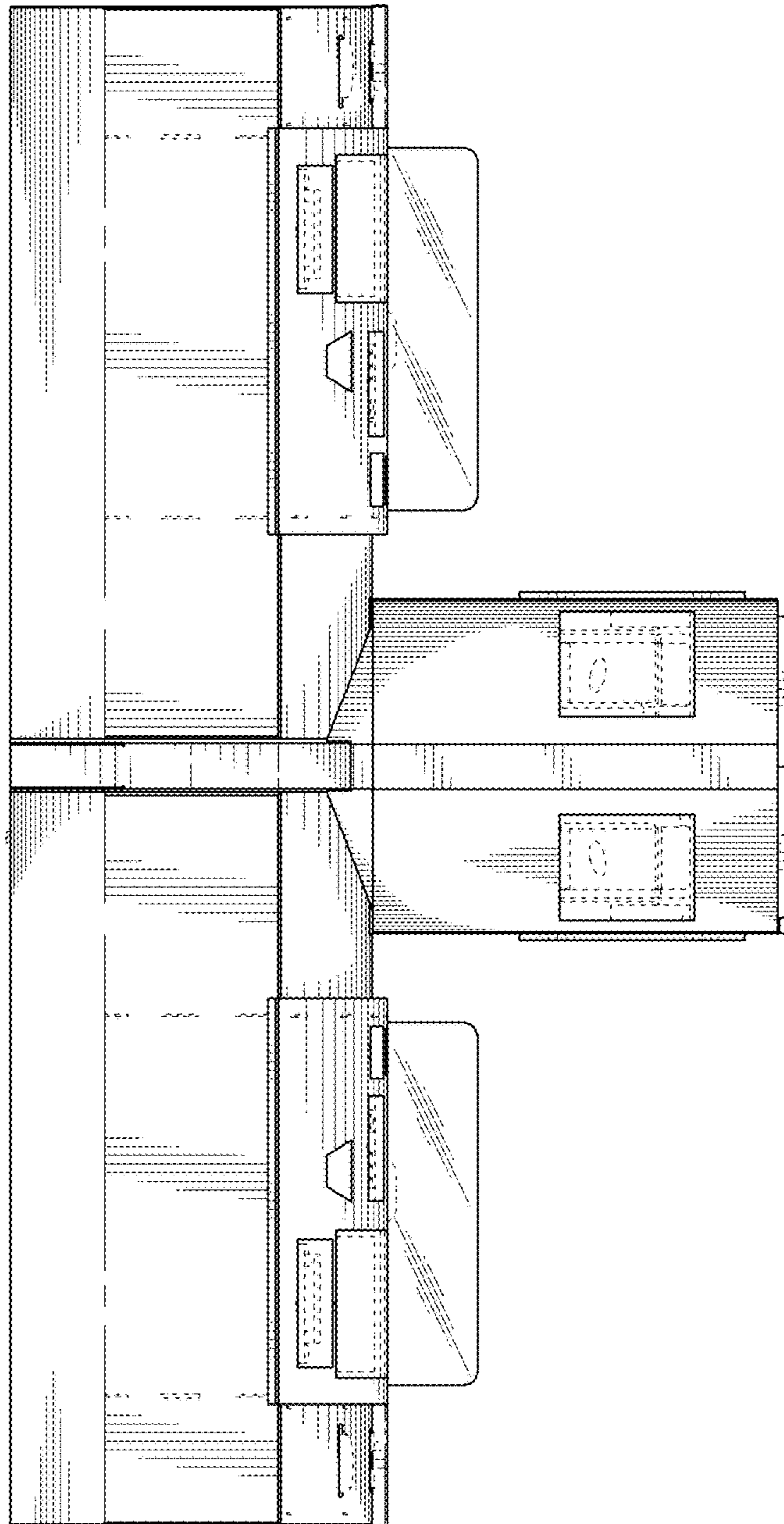


FIG. 6

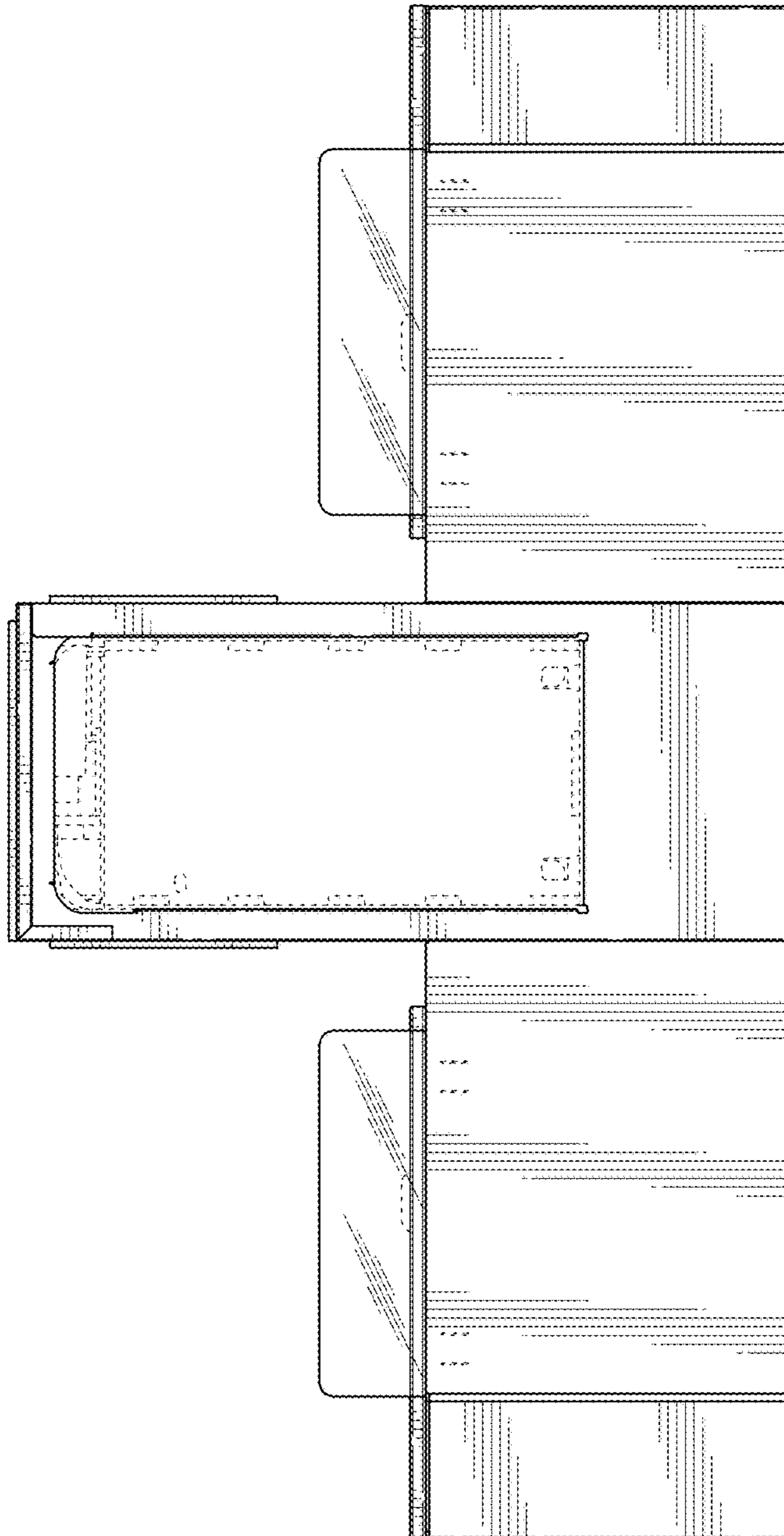


FIG. 7