



US00D841642S

(12) **United States Design Patent**  
**Eslava et al.**

(10) **Patent No.:** **US D841,642 S**

(45) **Date of Patent:** **\*\* Feb. 26, 2019**

(54) **ELECTRONIC VISUAL DISPLAY MONITOR MOUNT**

(71) Applicant: **Drägerwerk AG & Co. KGaA**, Lübeck (DE)

(72) Inventors: **Juan P. Eslava**, Groton, MA (US);  
**Peter A. Lund**, Nashua, NH (US);  
**Thomas Swyst**, Arlington, MA (US)

(73) Assignee: **Drägerwerk AG & Co. KGaA**, Lübeck (DE)

(\*\*) Term: **15 Years**

(21) Appl. No.: **29/629,534**

(22) Filed: **Dec. 13, 2017**

(51) **LOC (11) Cl.** ..... **14-03**

(52) **U.S. Cl.**  
USPC ..... **D14/253**

(58) **Field of Classification Search**  
USPC ..... D14/251, 253, 240, 217, 447; 224/558  
CPC ..... H04B 1/3888; H04M 1/0283; A45C 1/06  
See application file for complete search history.

(56) **References Cited**

U.S. PATENT DOCUMENTS

D784,977 S *	4/2017	Ormsbee	.....	D14/253
D798,306 S *	9/2017	Wengreen	.....	D14/447
D799,466 S *	10/2017	Sukphist	.....	D14/253

\* cited by examiner

*Primary Examiner* — Randall H Gholson

(74) *Attorney, Agent, or Firm* — Jones Day

(57) **CLAIM**

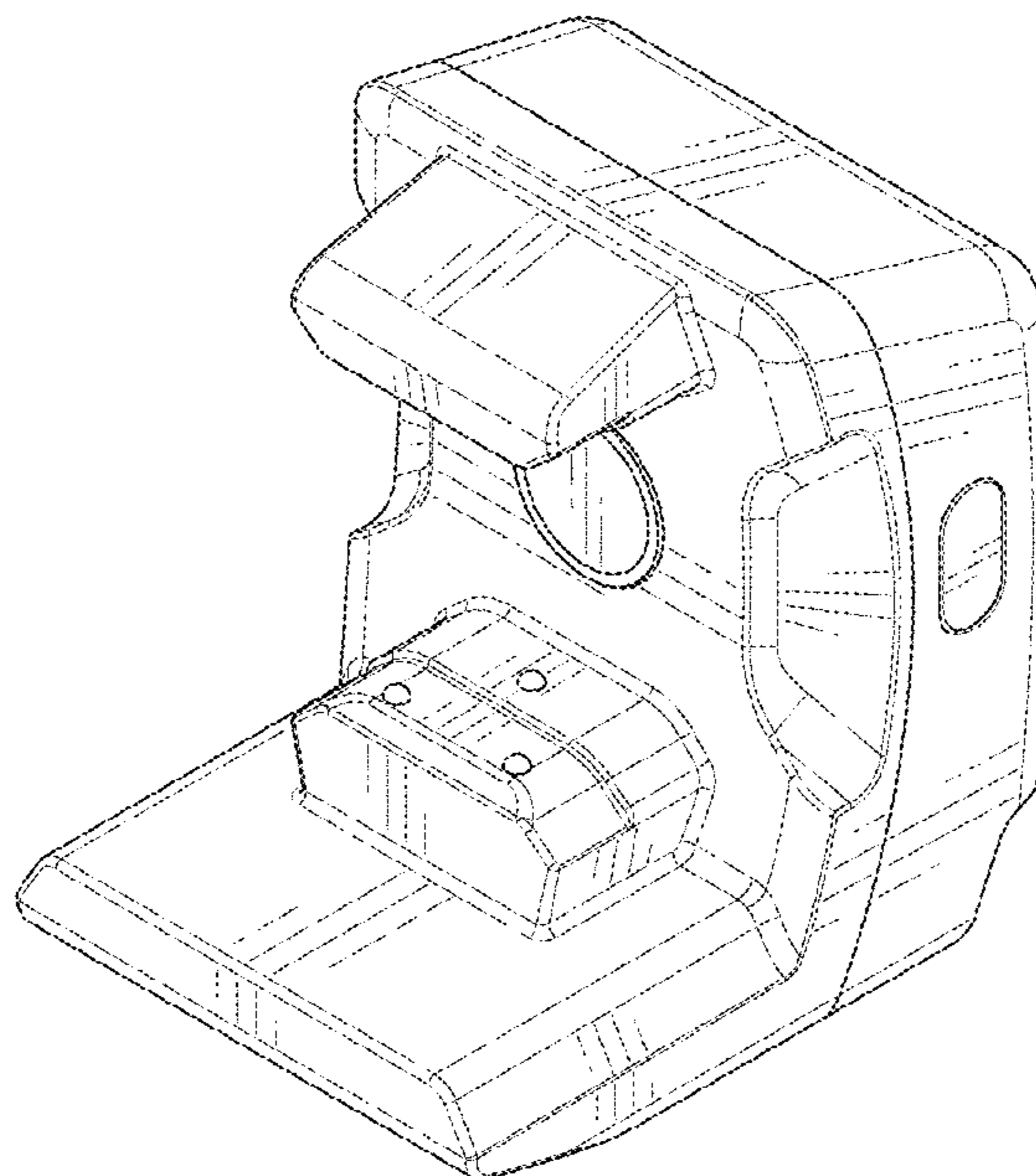
The ornamental design for an electronic visual display monitor mount, as shown and described.

**DESCRIPTION**

FIG. 1 is a front perspective view of an electronic visual display monitor mount;  
 FIG. 2 is a back perspective view of the electronic visual display monitor mount shown in FIG. 1;  
 FIG. 3 is a front view of the electronic visual display monitor mount shown in FIG. 1;  
 FIG. 4 is a back view of the electronic visual display monitor mount shown in FIG. 1;  
 FIG. 5 is a top view of the electronic visual display monitor mount shown in FIG. 1;  
 FIG. 6 is a bottom view of the electronic visual display monitor mount shown in FIG. 1;  
 FIG. 7 is a first side view of the electronic visual display monitor mount shown in FIG. 1;  
 FIG. 8 is a second side view of the electronic visual display monitor mount shown in FIG. 1;  
 FIG. 9 is a front perspective view of the electronic visual display monitor mount shown in FIG. 1 in a first environment;  
 FIG. 10 is a front perspective view of the electronic visual display monitor mount shown in FIG. 1 in a second environment;  
 FIG. 11 is a front perspective view of the electronic visual display monitor mount shown in FIG. 1 in a third environment; and,  
 FIG. 12 is an exploded view of the third environment shown in FIG. 11.

The broken lines showing in the figures are for the purposes of illustrating example environments and form no part of the claimed design. Other aspects of the figures are provided to illustrate texture and other features.

**1 Claim, 12 Drawing Sheets**



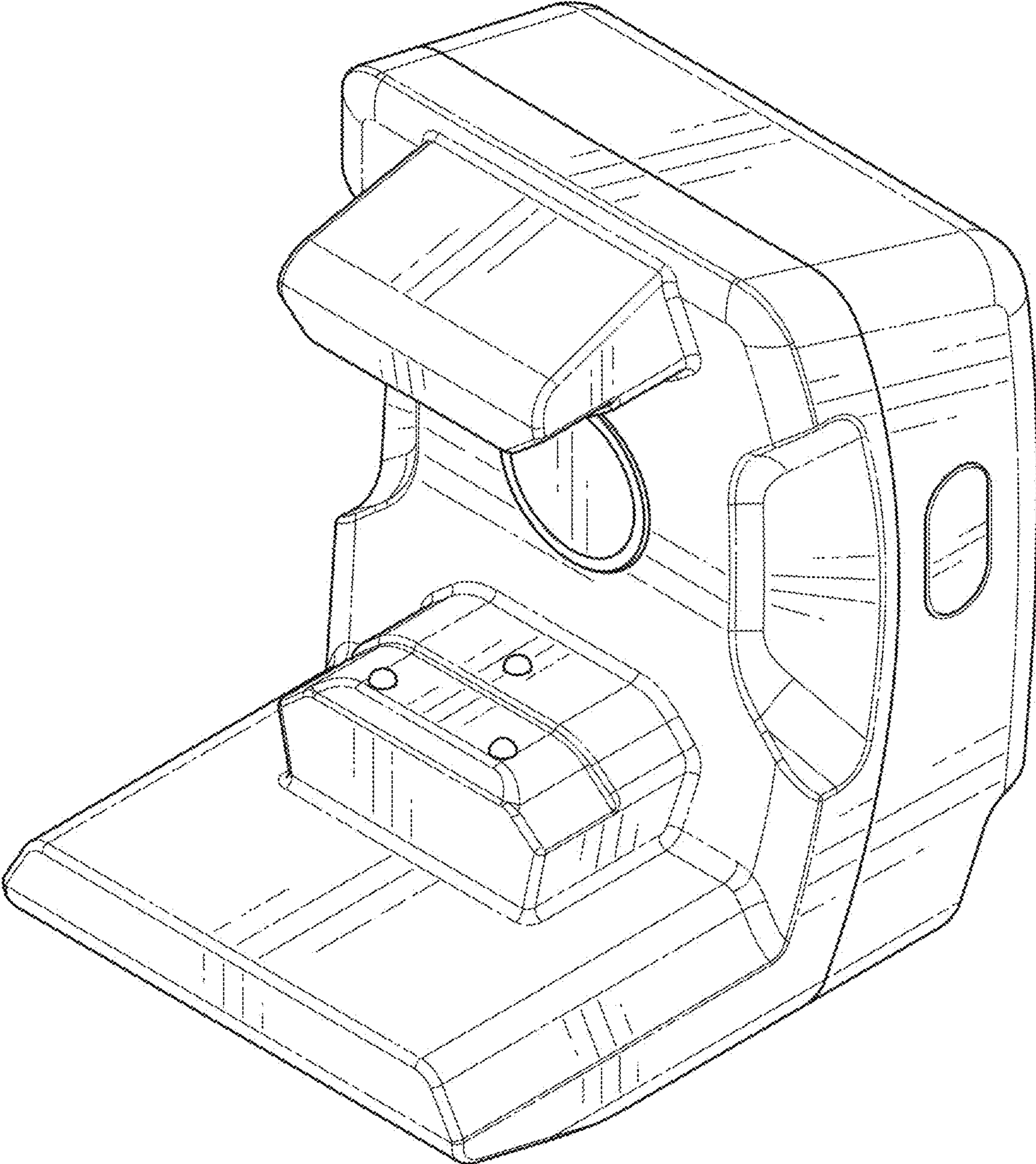


FIG. 1

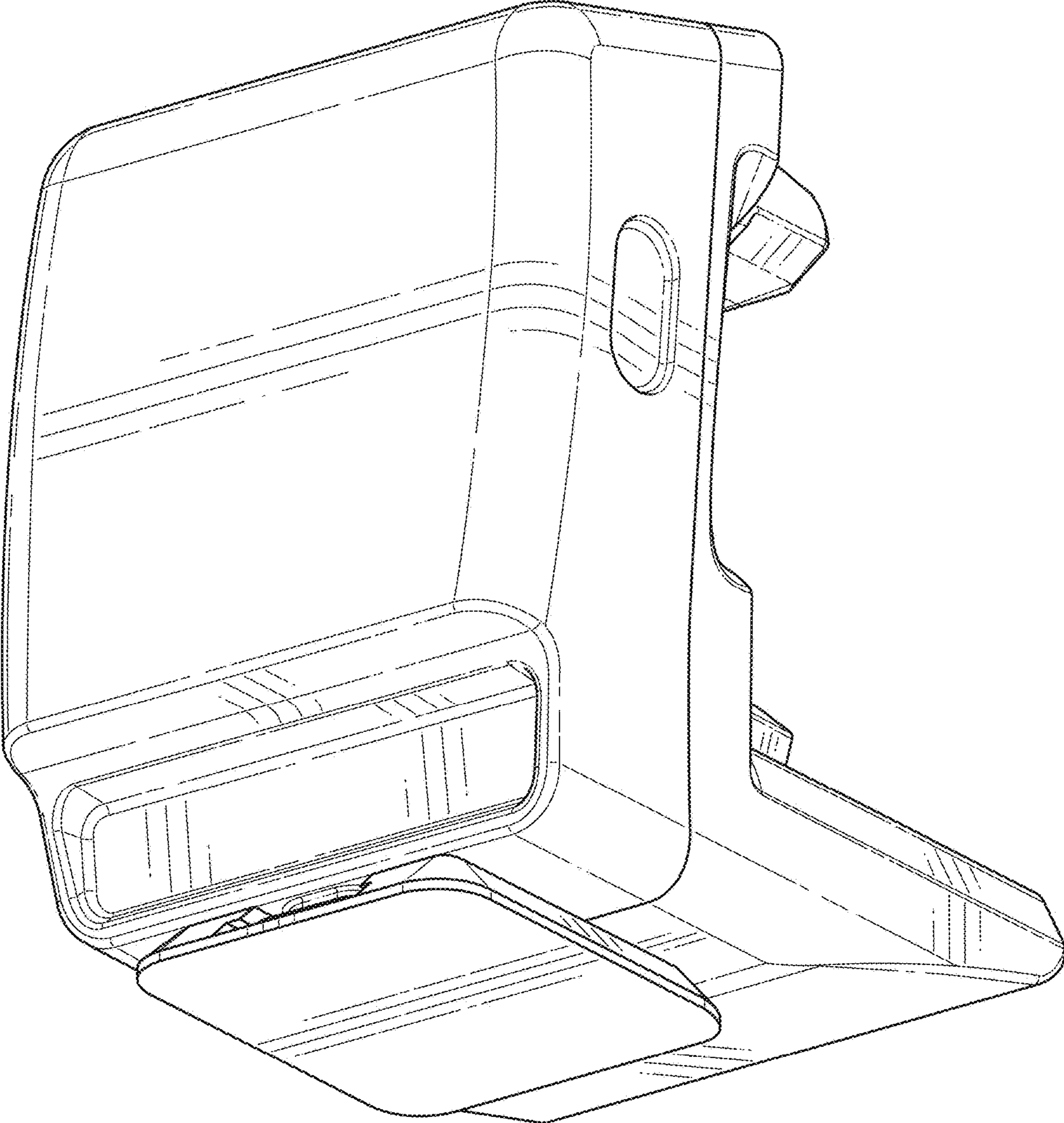


FIG. 2



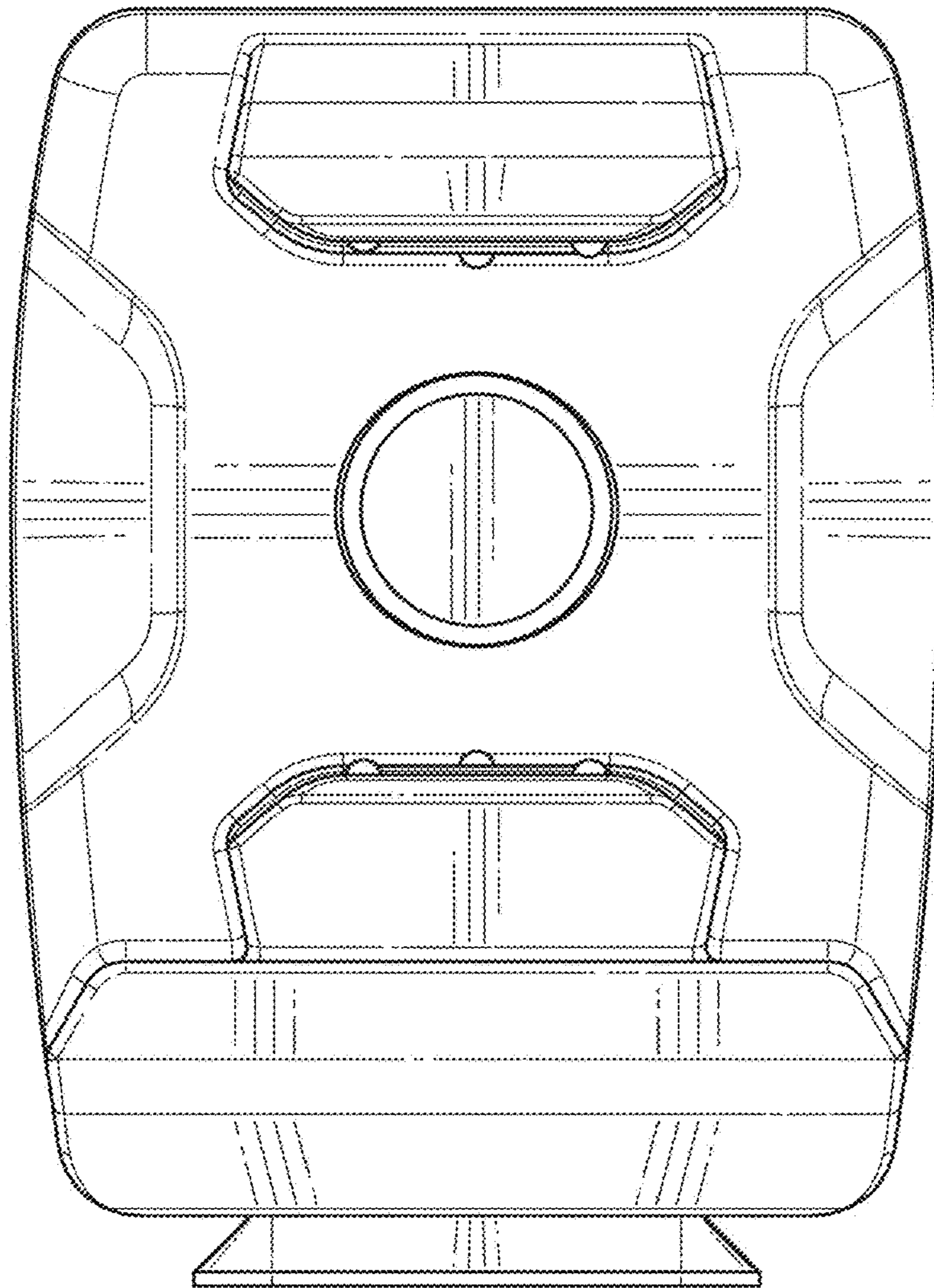


FIG. 3

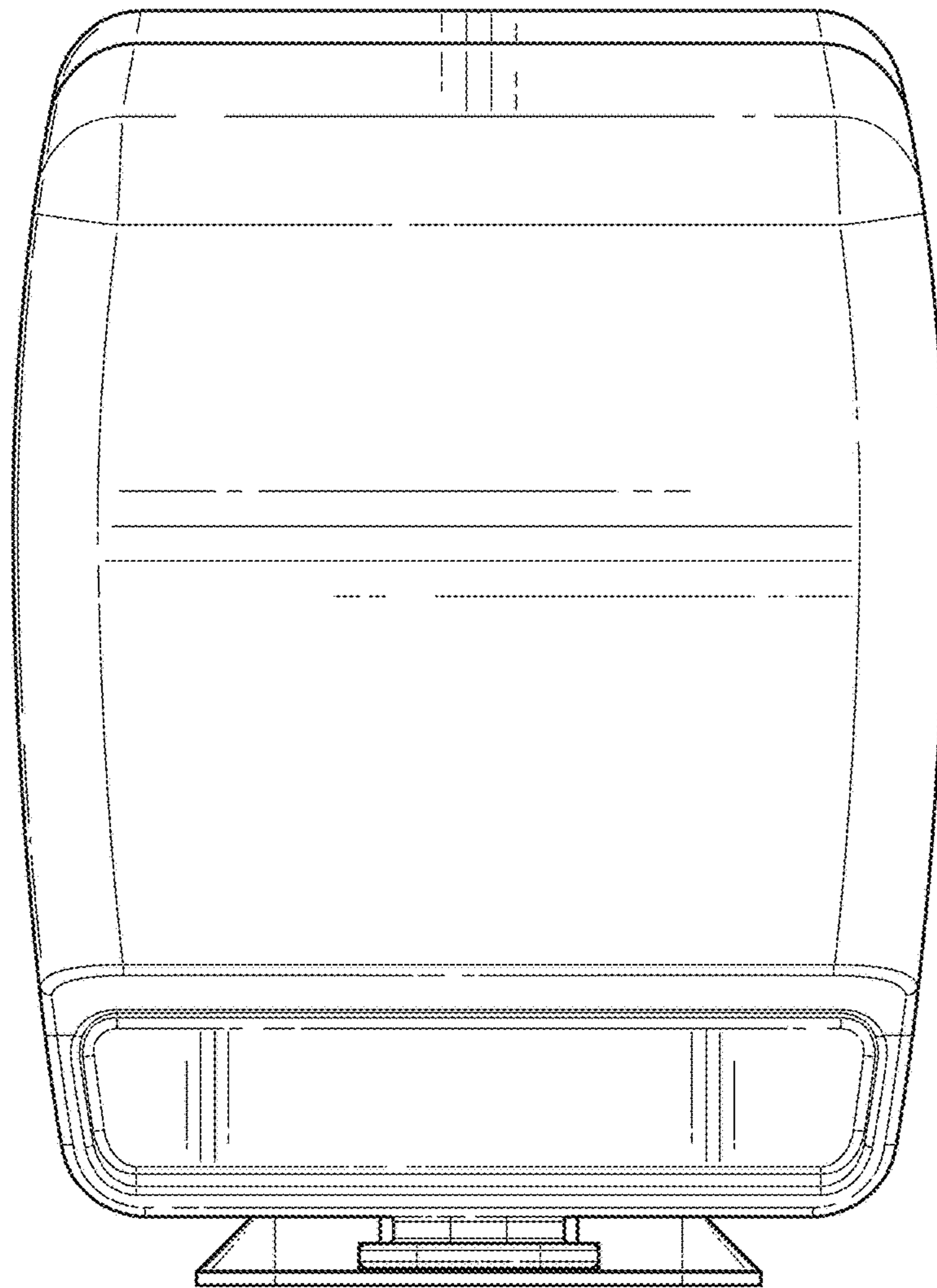


FIG. 4

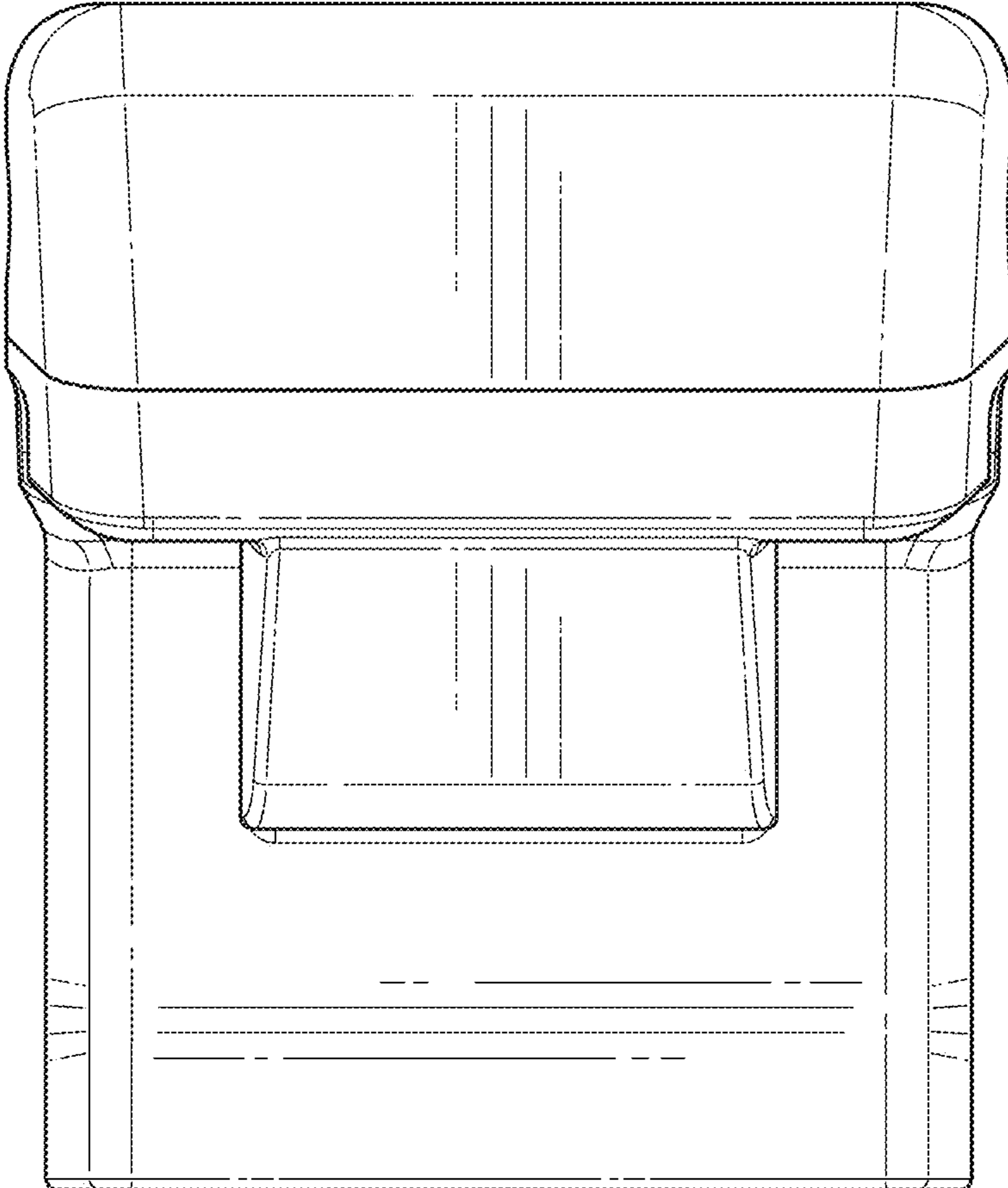


FIG. 5

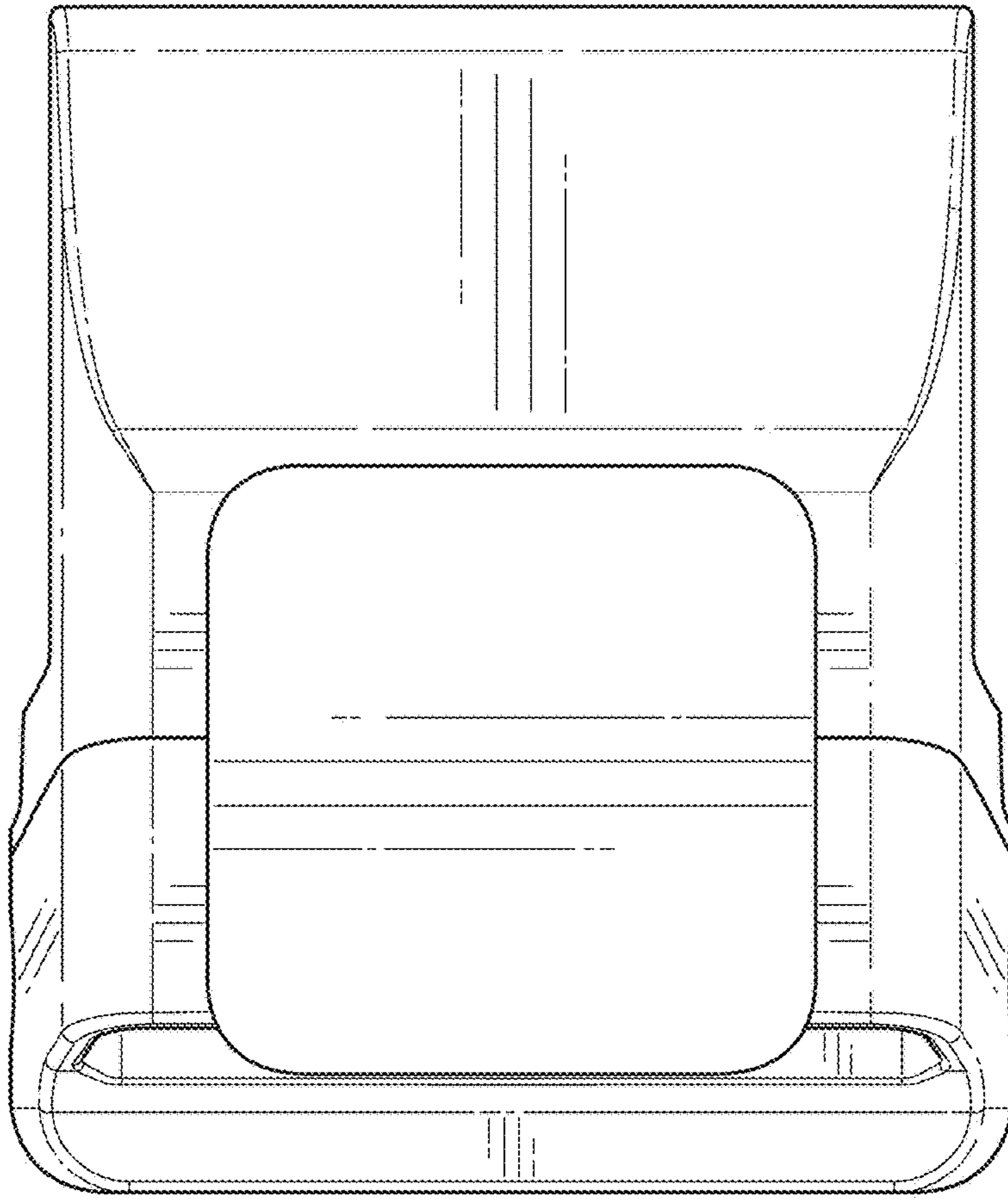


FIG. 6

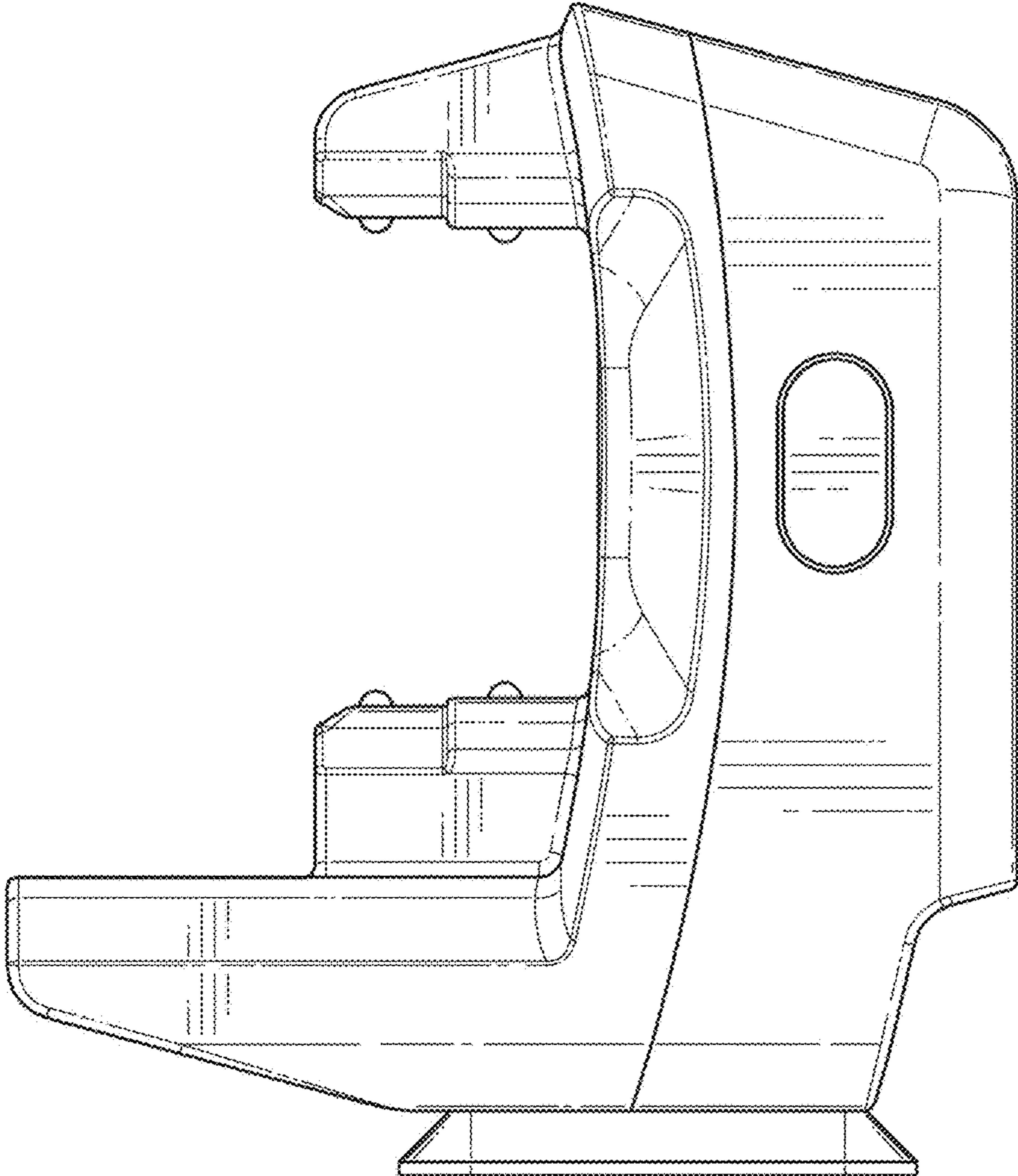


FIG. 7



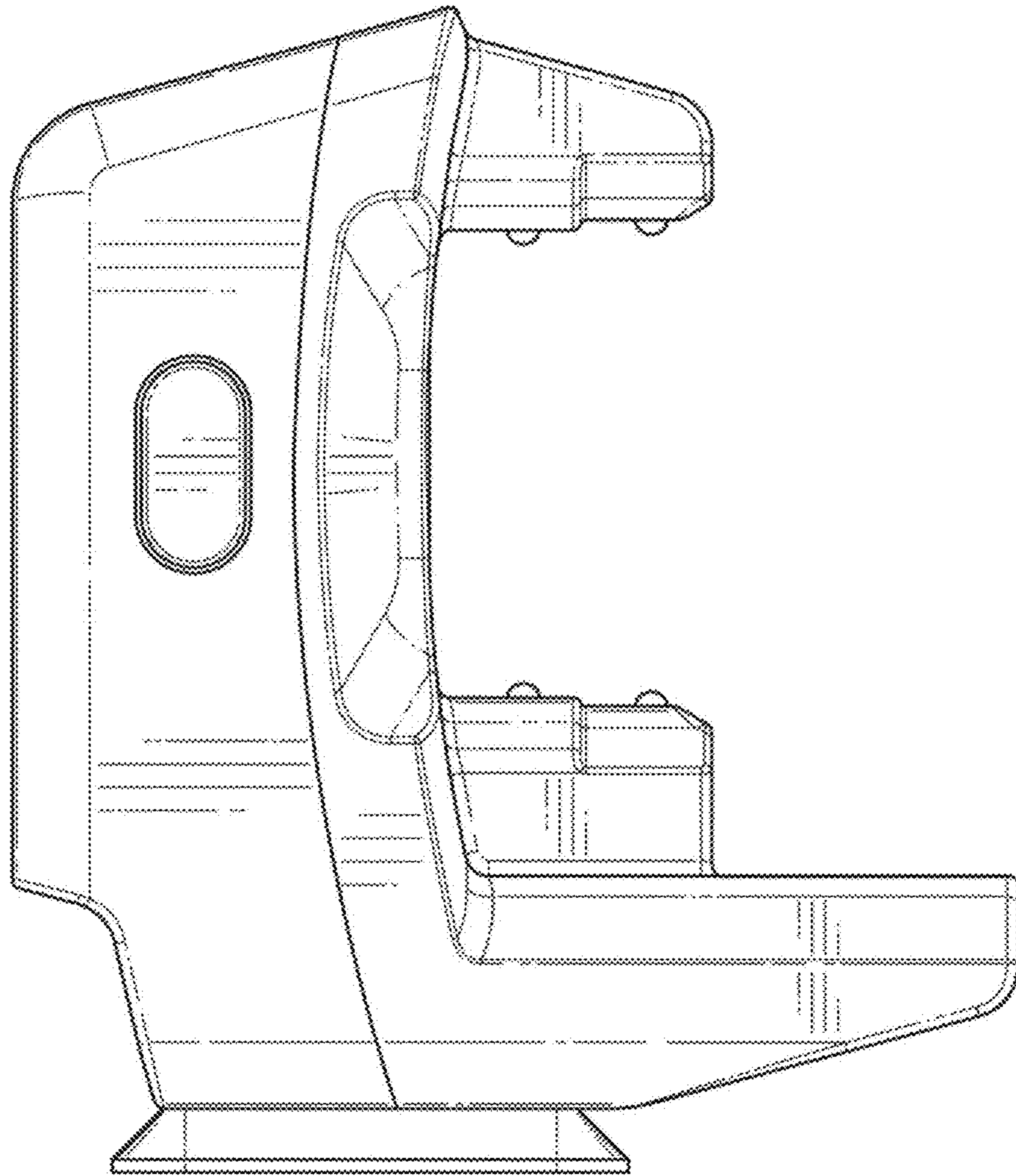


FIG. 8

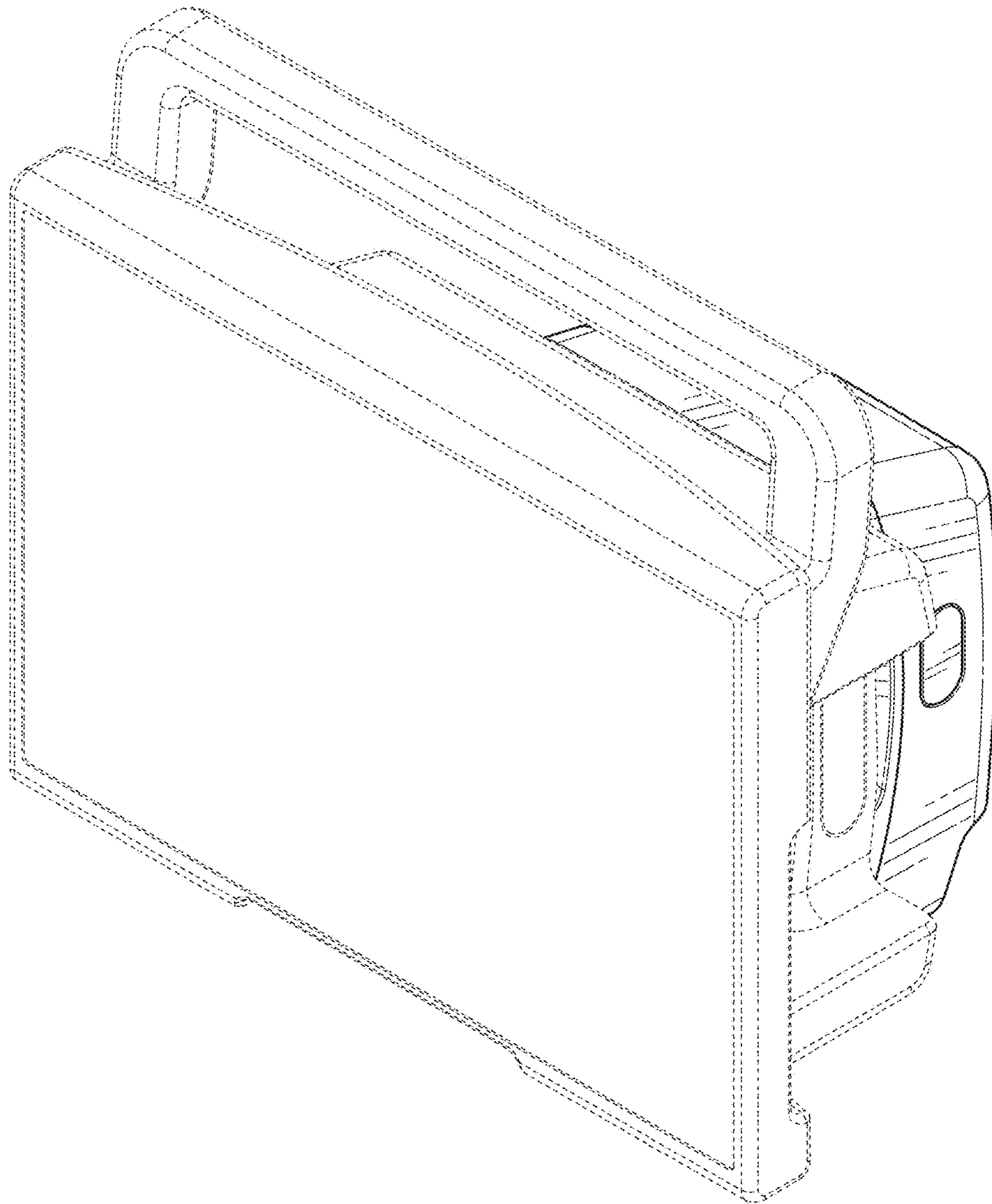


FIG. 9

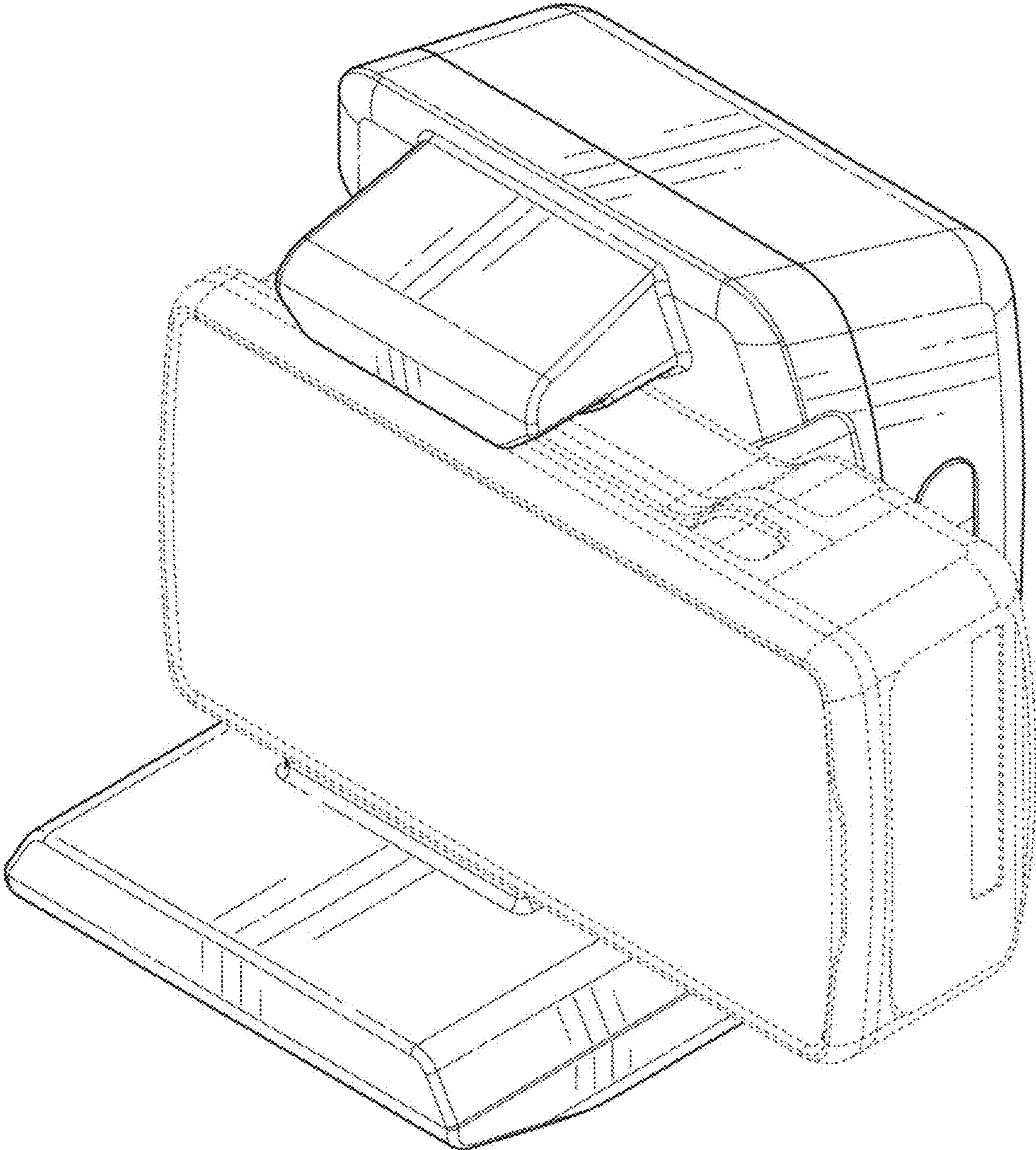


FIG. 10

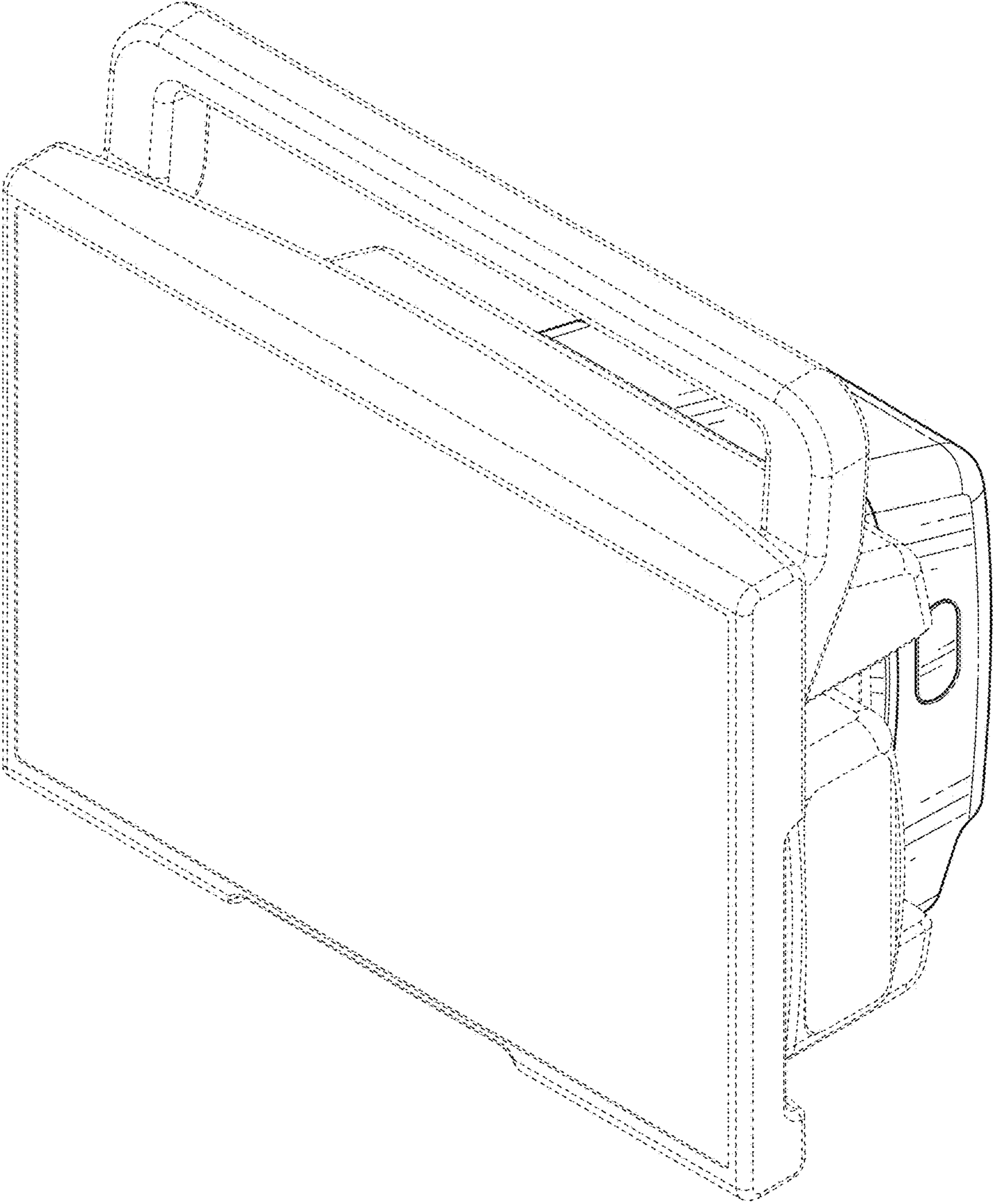


FIG. 11



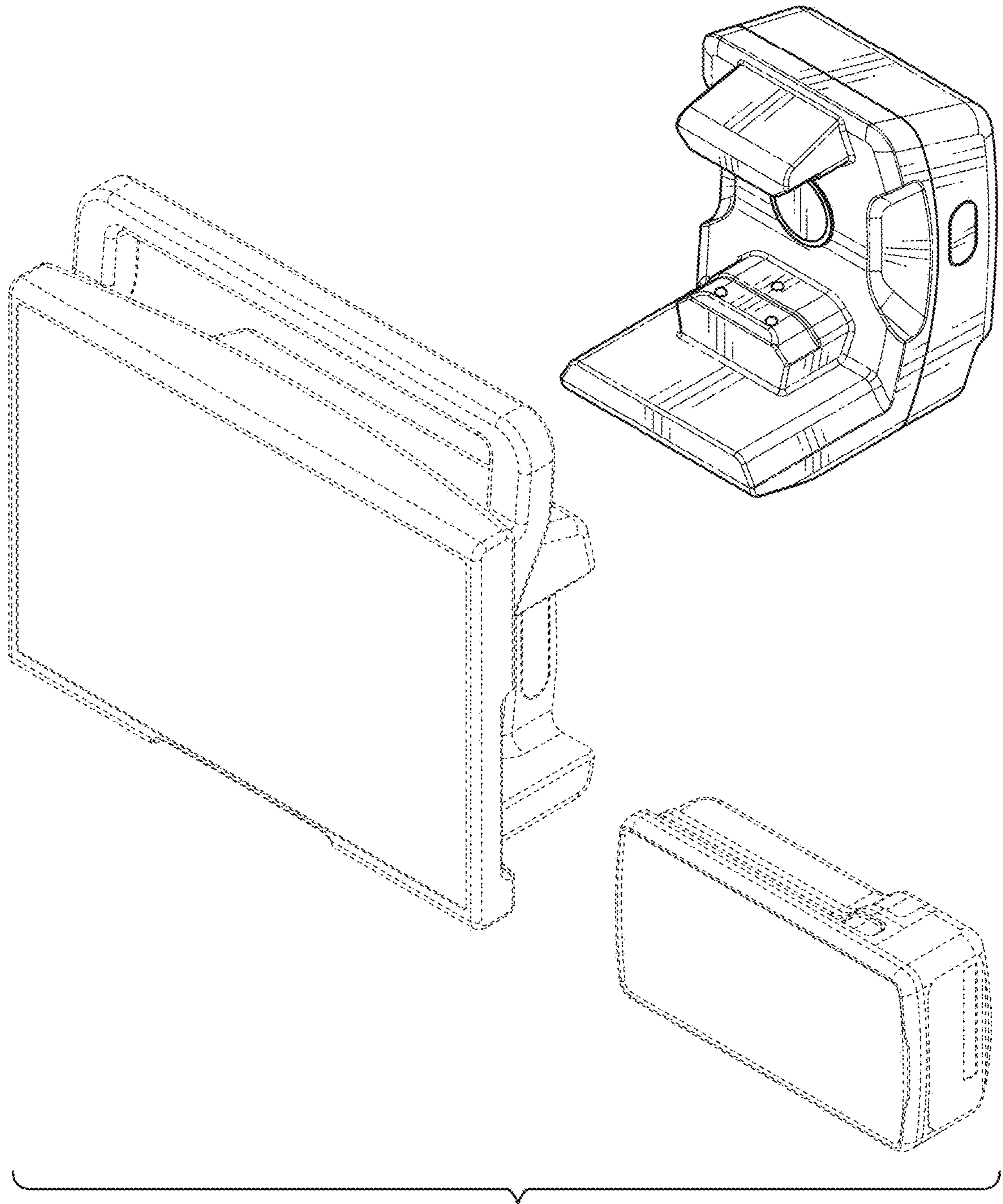


FIG. 12