



US00D841641S

(12) **United States Design Patent**  
**Huang et al.**

(10) **Patent No.:** **US D841,641 S**

(45) **Date of Patent:** **\*\* Feb. 26, 2019**

(54) **TWO-AXIS STABILIZER**

(71) Applicant: **Hohem Technology Co., Ltd**,  
Shenzhen, Guangdong (CN)

(72) Inventors: **Shoulin Huang**, Guangdong (CN);  
**Yangang Yin**, Guangdong (CN); **Min Chen**, Guangdong (CN)

(73) Assignee: **HOHEM TECHNOLOGY CO., LTD**,  
Shenzhen (CN)

(\*\*) Term: **15 Years**

(21) Appl. No.: **29/605,036**

(22) Filed: **May 23, 2017**

(30) **Foreign Application Priority Data**

Dec. 8, 2016 (CN) ..... 2016 3 0602115

(51) **LOC (11) Cl.** ..... **14-03**

(52) **U.S. Cl.**  
USPC ..... **D14/253**; D16/242

(58) **Field of Classification Search**  
USPC ..... D14/138 AB, 144, 217, 224, 251–253,  
D14/434, 447, 451–452; D3/218;  
D12/114, 177, 223, 400, 415, 417;  
D16/242–243

CPC .. G03B 17/561; G03B 15/006; G03B 17/563;  
G03B 2205/0038; G03B 3/10; G03B  
5/00; G06T 7/70

See application file for complete search history.

(56) **References Cited**

**U.S. PATENT DOCUMENTS**

- D315,731 S \* 3/1991 Watanabe ..... D14/138 AA
- D438,184 S \* 2/2001 Suzuki ..... D14/138 AB
- D535,643 S \* 1/2007 Dayan ..... D14/138 AB
- D542,761 S \* 5/2007 Yoo ..... D14/138 AB
- D559,215 S \* 1/2008 Eguchi ..... D14/138 AB
- D612,828 S \* 3/2010 Salazar ..... D14/138 AB

- D754,780 S \* 4/2016 Esarey ..... D16/242
- D776,667 S \* 1/2017 Fujioka ..... D14/447
- D778,899 S \* 2/2017 Khalili ..... D14/250
- D822,754 S \* 7/2018 Fang ..... D16/243
- D824,882 S \* 8/2018 Zheng ..... D14/217
- 2005/0164734 A1\* 7/2005 Kakuguchi ..... H04M 1/0214  
455/556.1

**OTHER PUBLICATIONS**

Andoer X-Cam SIGHT2 Creative Sight 2 Axis Handheld Stabilizer for Smartphone, date first listed Aug. 20, 2016, site visited Sep. 23, 2018, Copyright © 1996-2018, <<https://www.amazon.com/Andoer-Creative-Handheld-Stabilizer-Smartphone/dp/B01KFK5DDI>>.\*

\* cited by examiner

*Primary Examiner* — Cathron C Brooks

*Assistant Examiner* — Sharon S Oum

(74) *Attorney, Agent, or Firm* — Ladas & Parry LLP

(57) **CLAIM**

The ornamental design for two-axis stabilizer, as shown and described.

**DESCRIPTION**

FIG. 1 is a perspective view of a two-axis stabilizer showing our new design;

FIG. 2 is a front elevational view thereof;

FIG. 3 is a rear elevational view thereof;

FIG. 4 is a left side elevational view thereof;

FIG. 5 is a right side elevational view thereof;

FIG. 6 is a top plan view thereof;

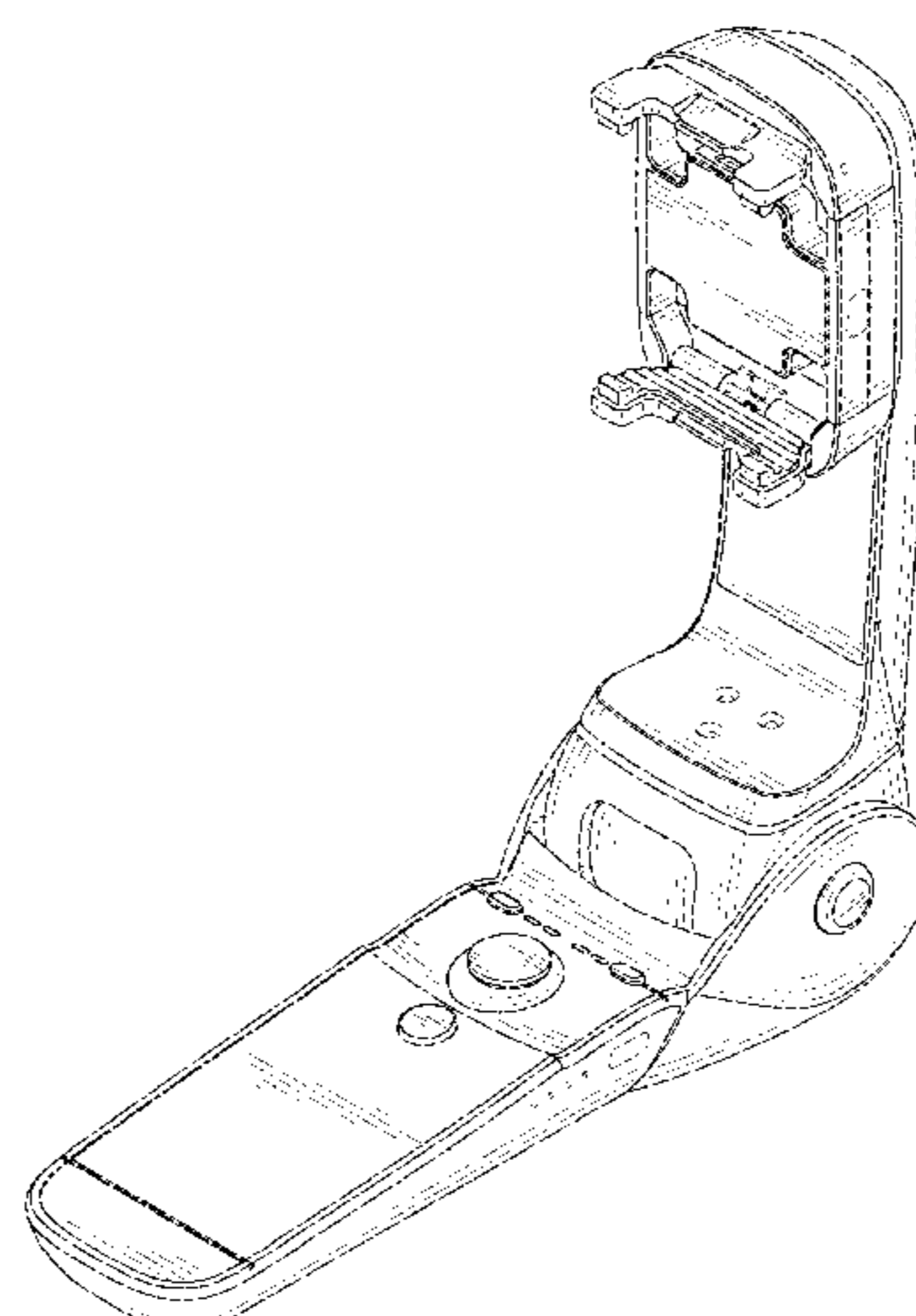
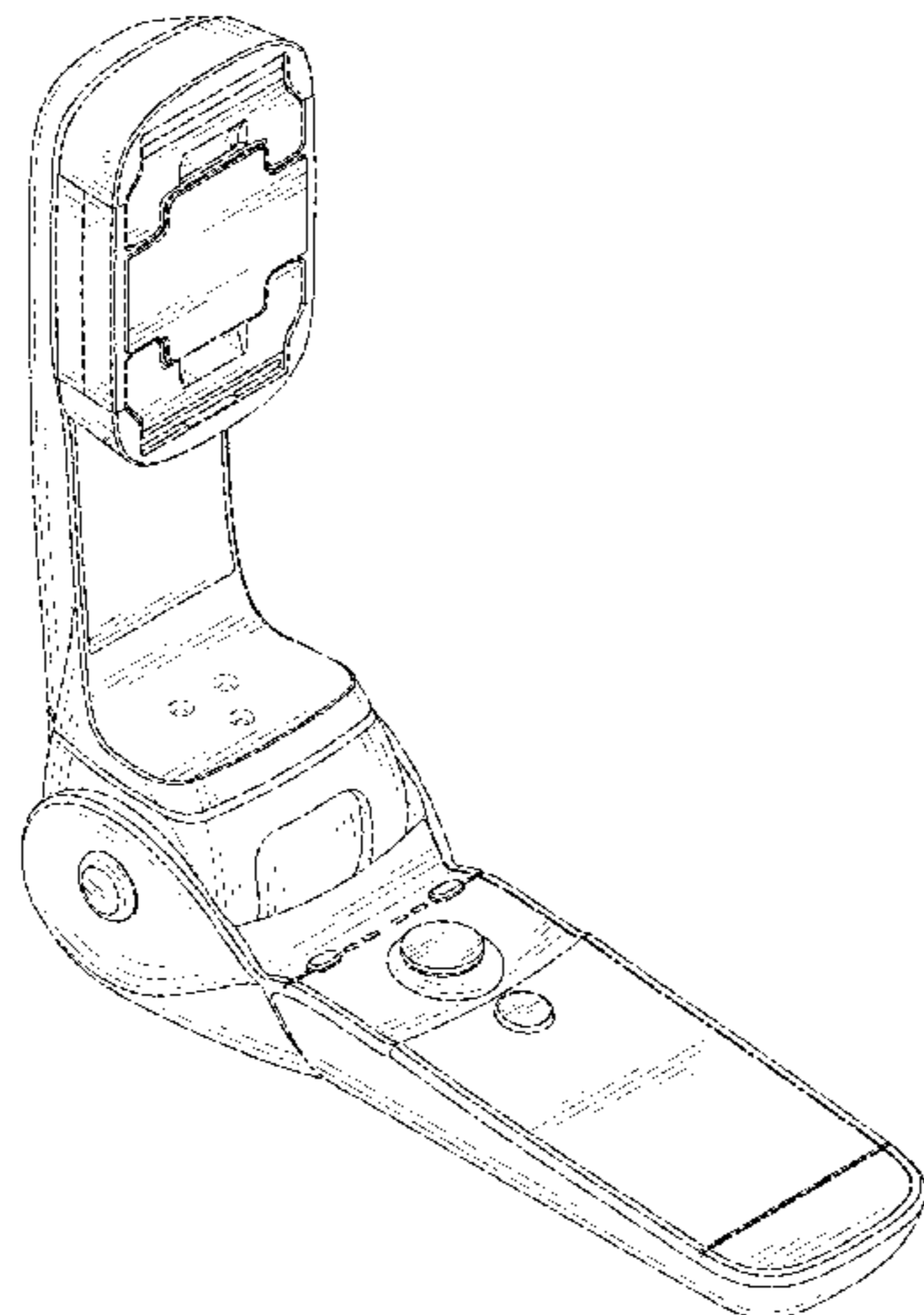
FIG. 7 is a bottom plan view thereof;

FIG. 8 is another perspective view thereof shown in an alternative position; and,

FIG. 9 is a front, bottom, left perspective view thereof showing the two-axis stabilizer ready for use.

The broken lines illustrate portions of the two-axis stabilizer that form no part of the claimed design.

**1 Claim, 9 Drawing Sheets**



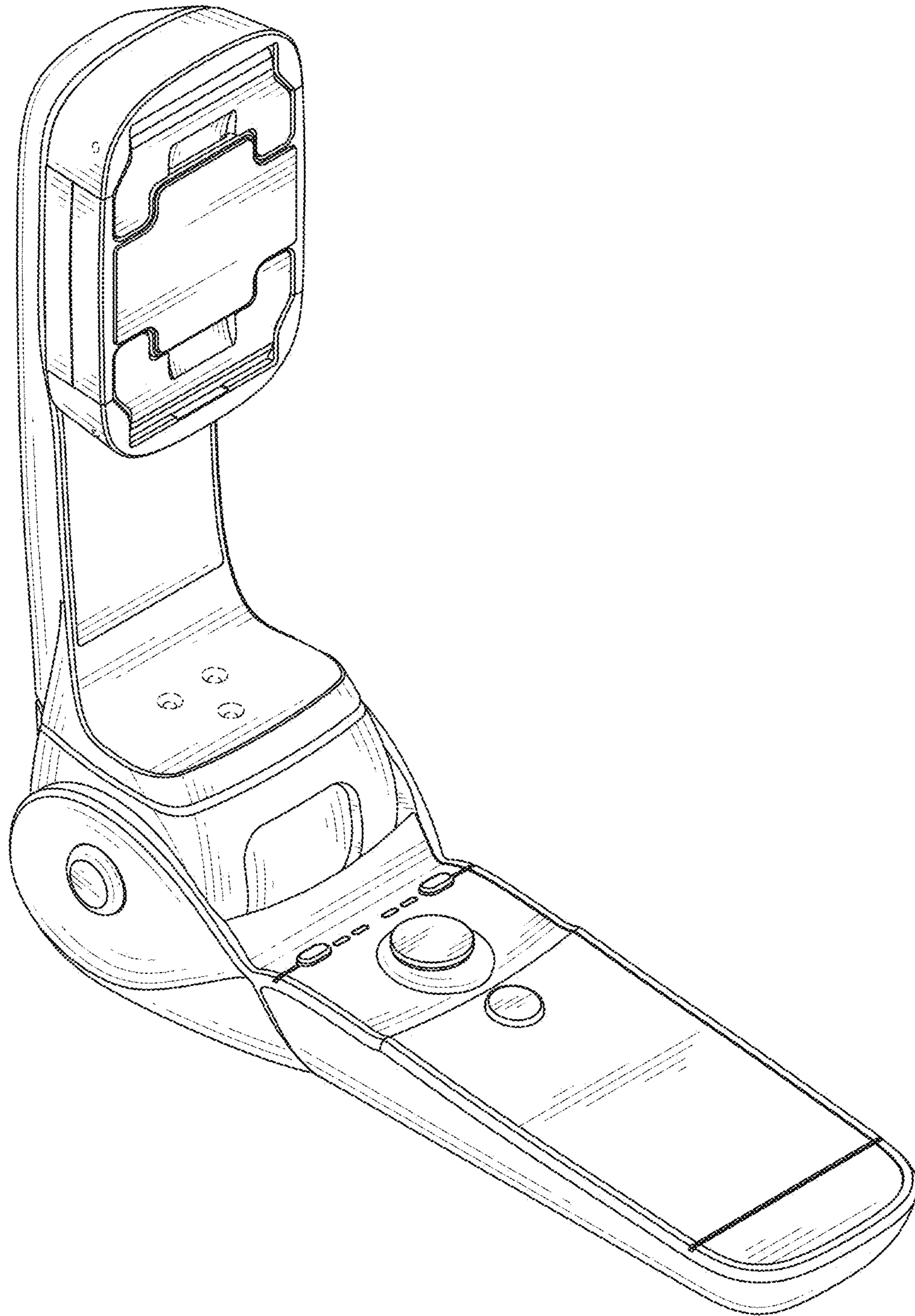


FIG. 1

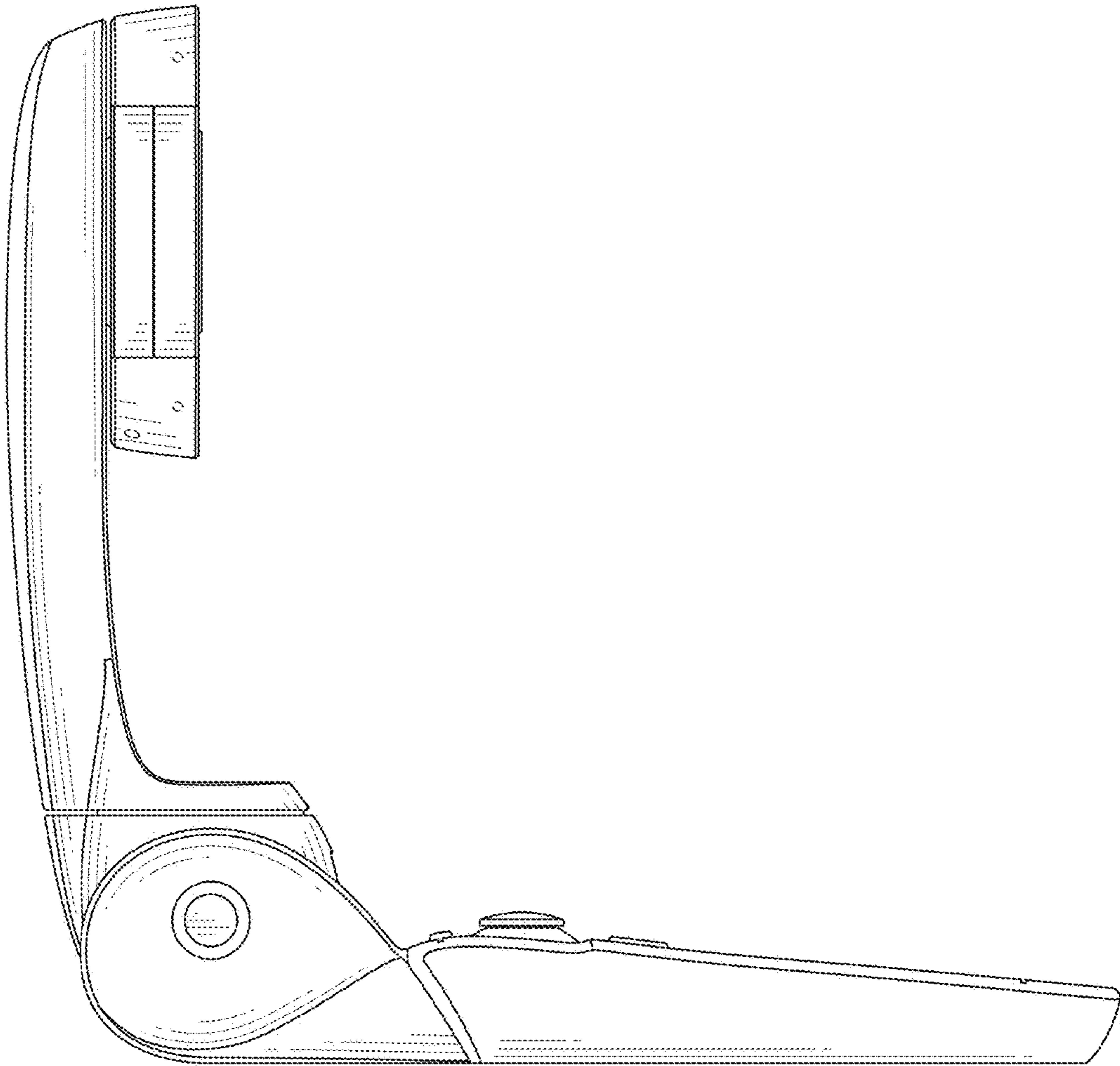


FIG. 2

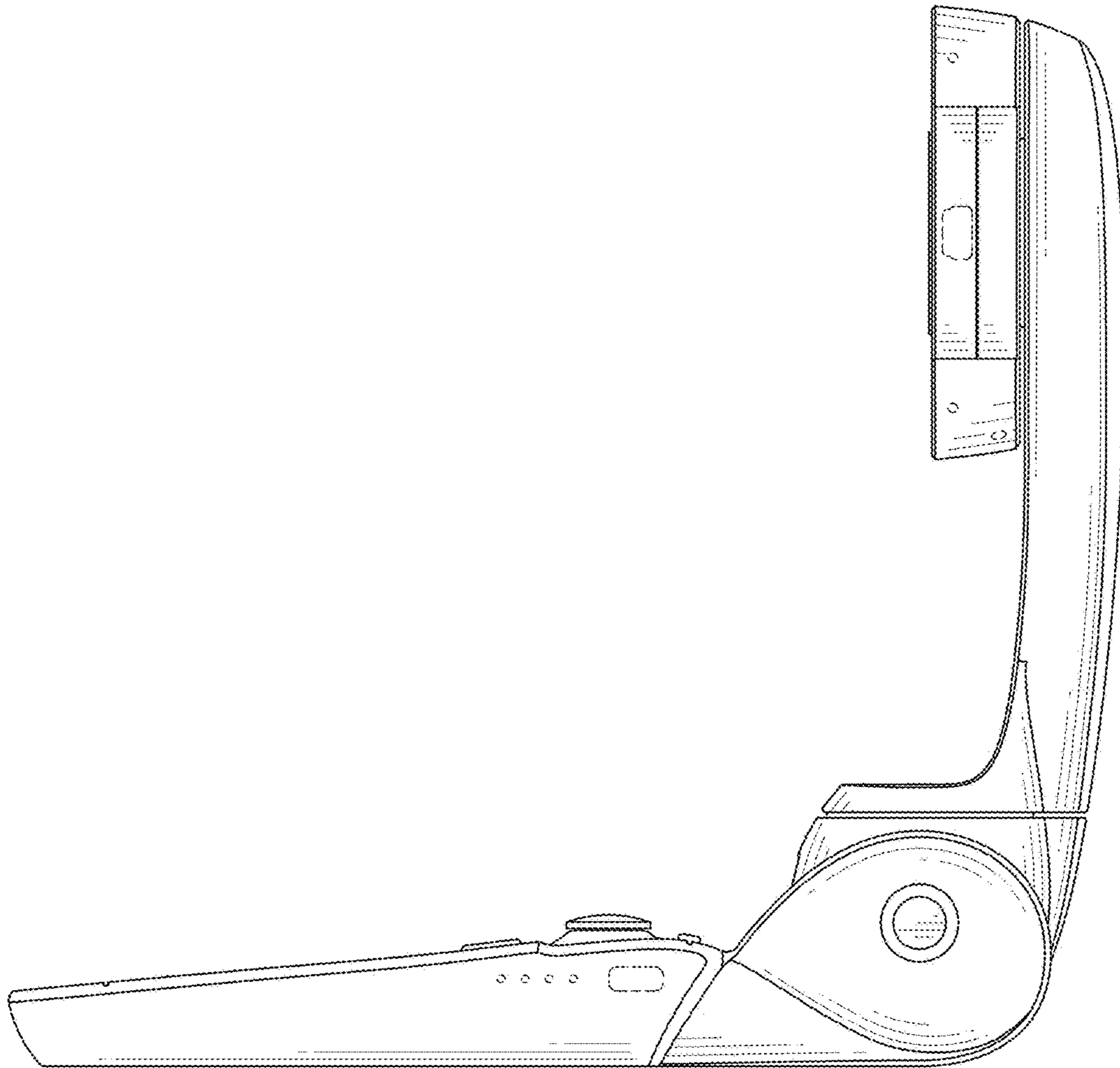


FIG. 3

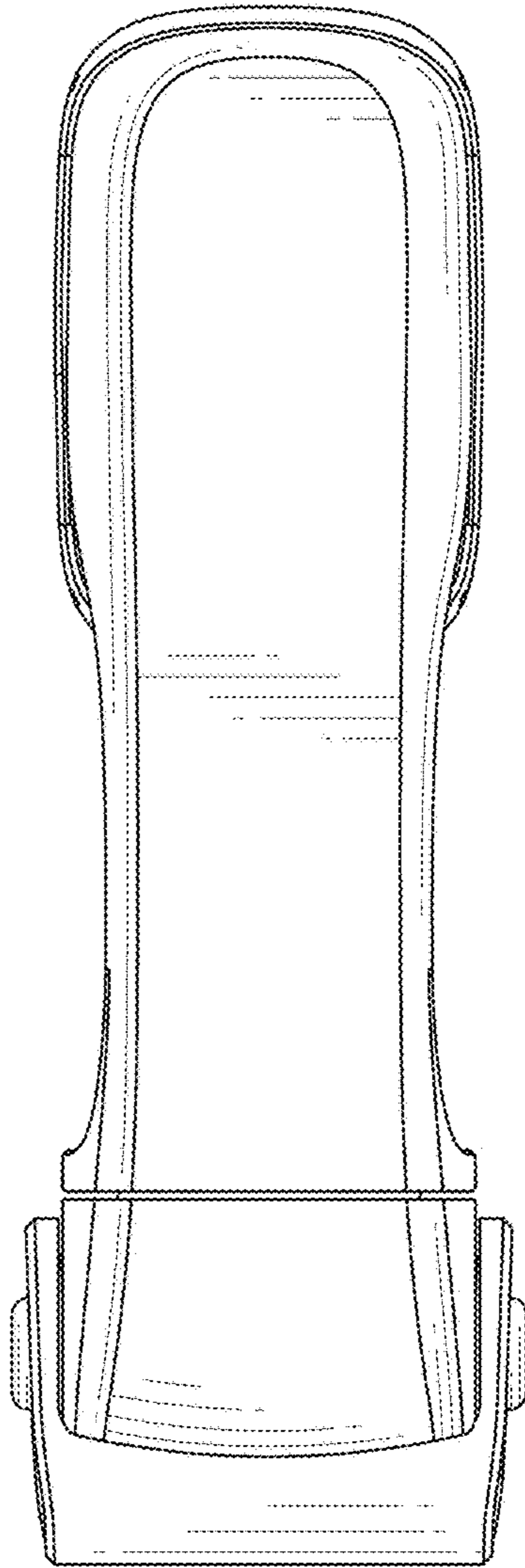


FIG. 4

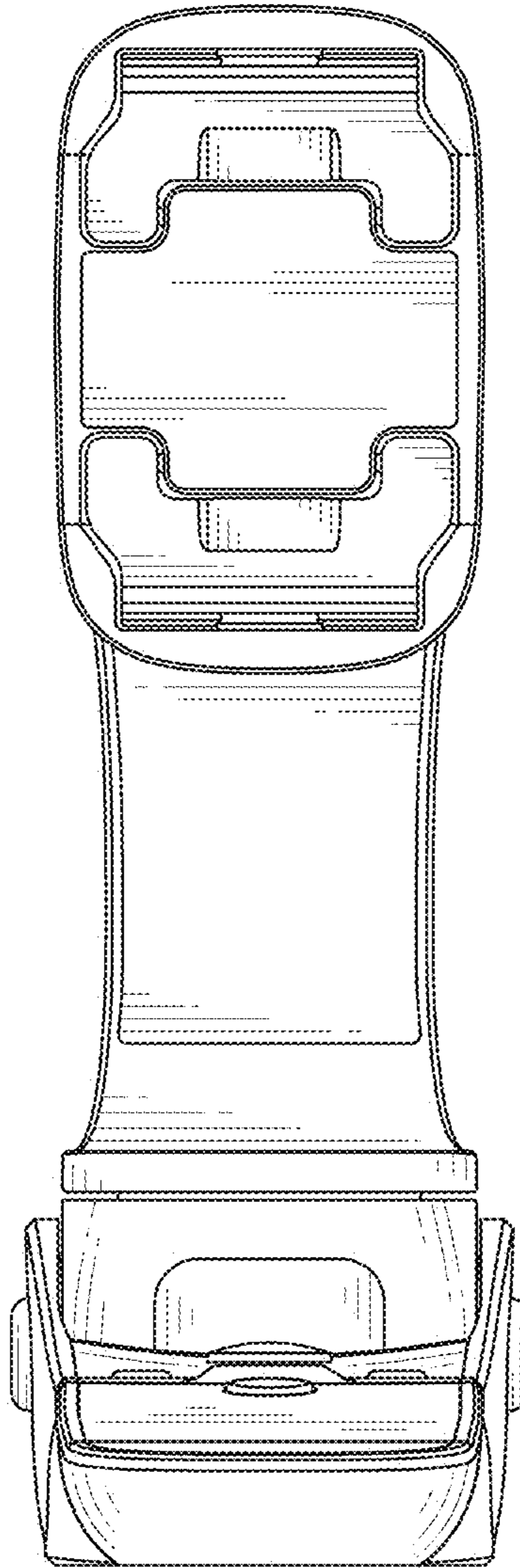


FIG. 5

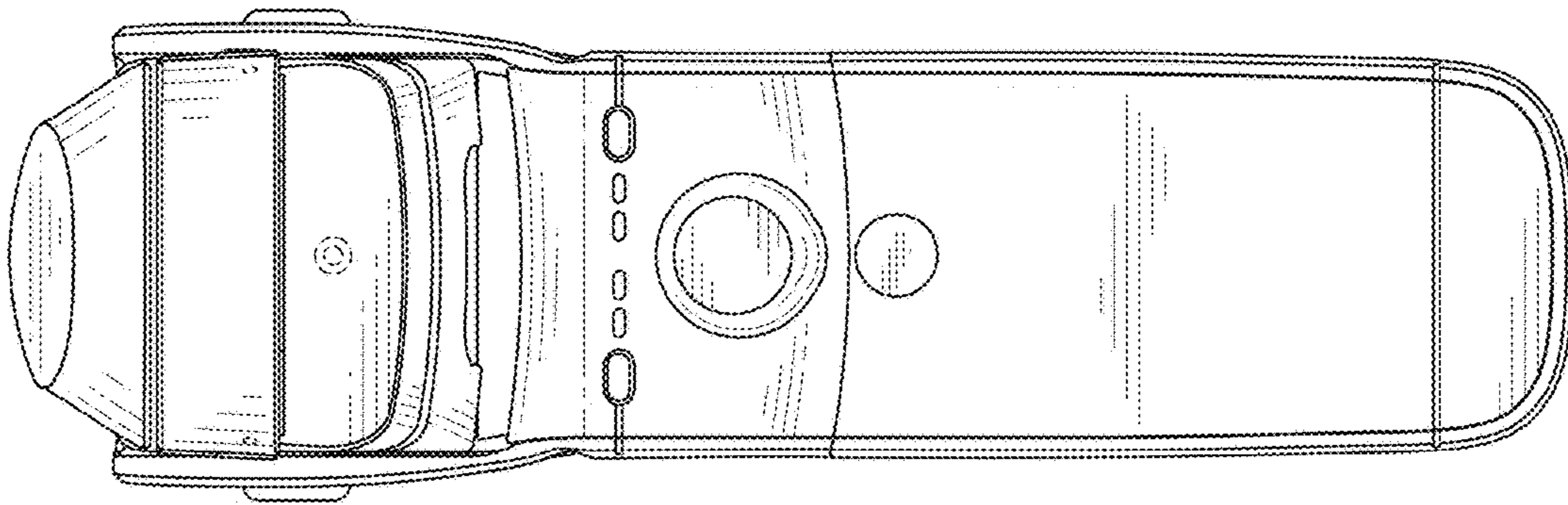


FIG. 6

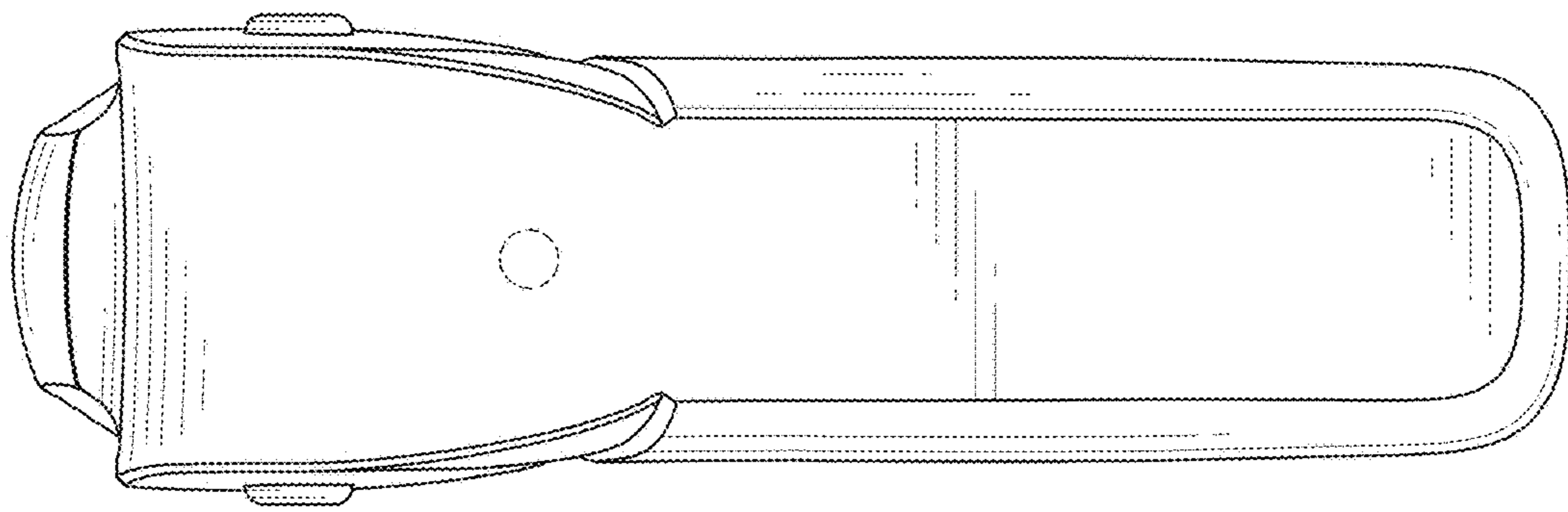


FIG. 7



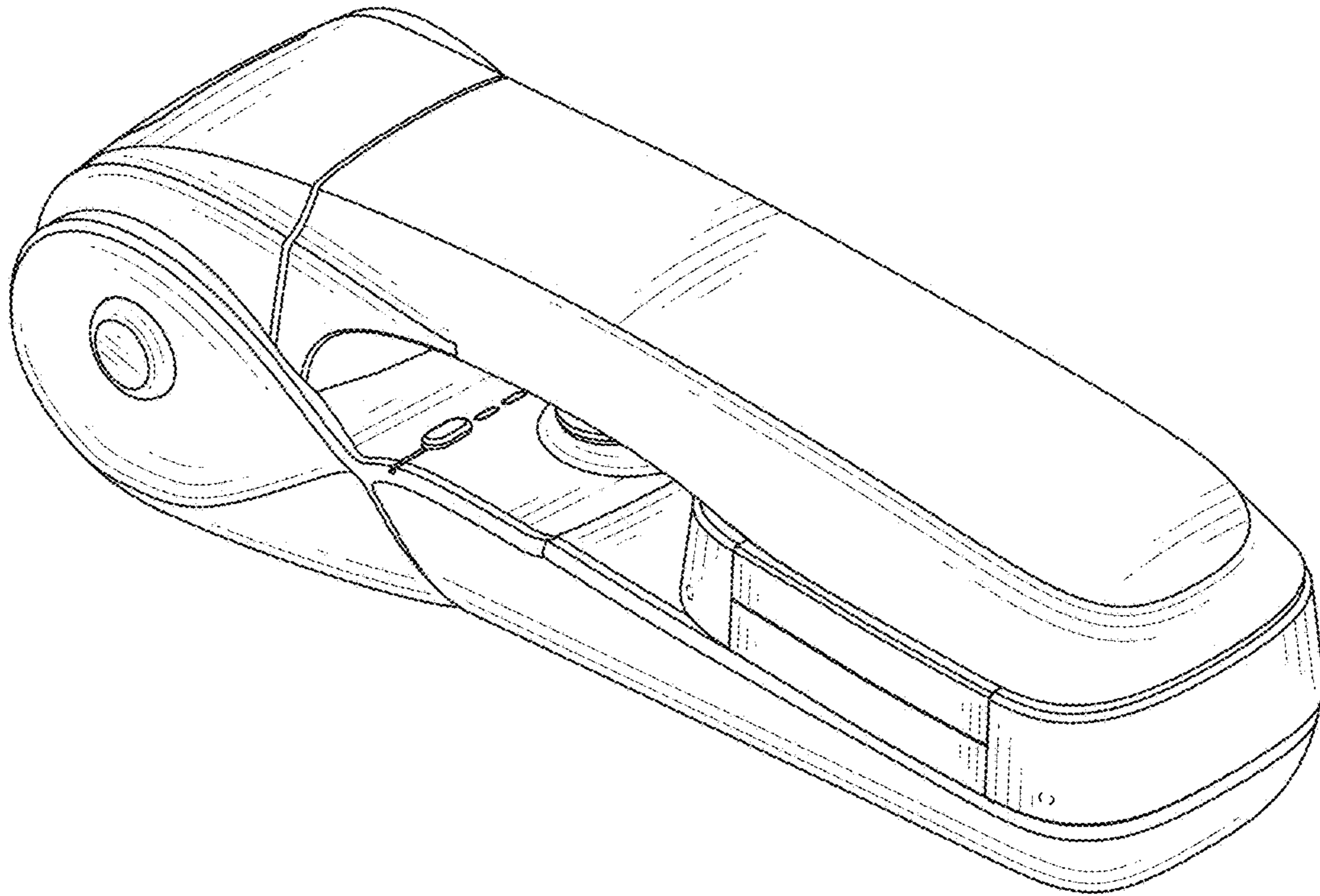


FIG. 8

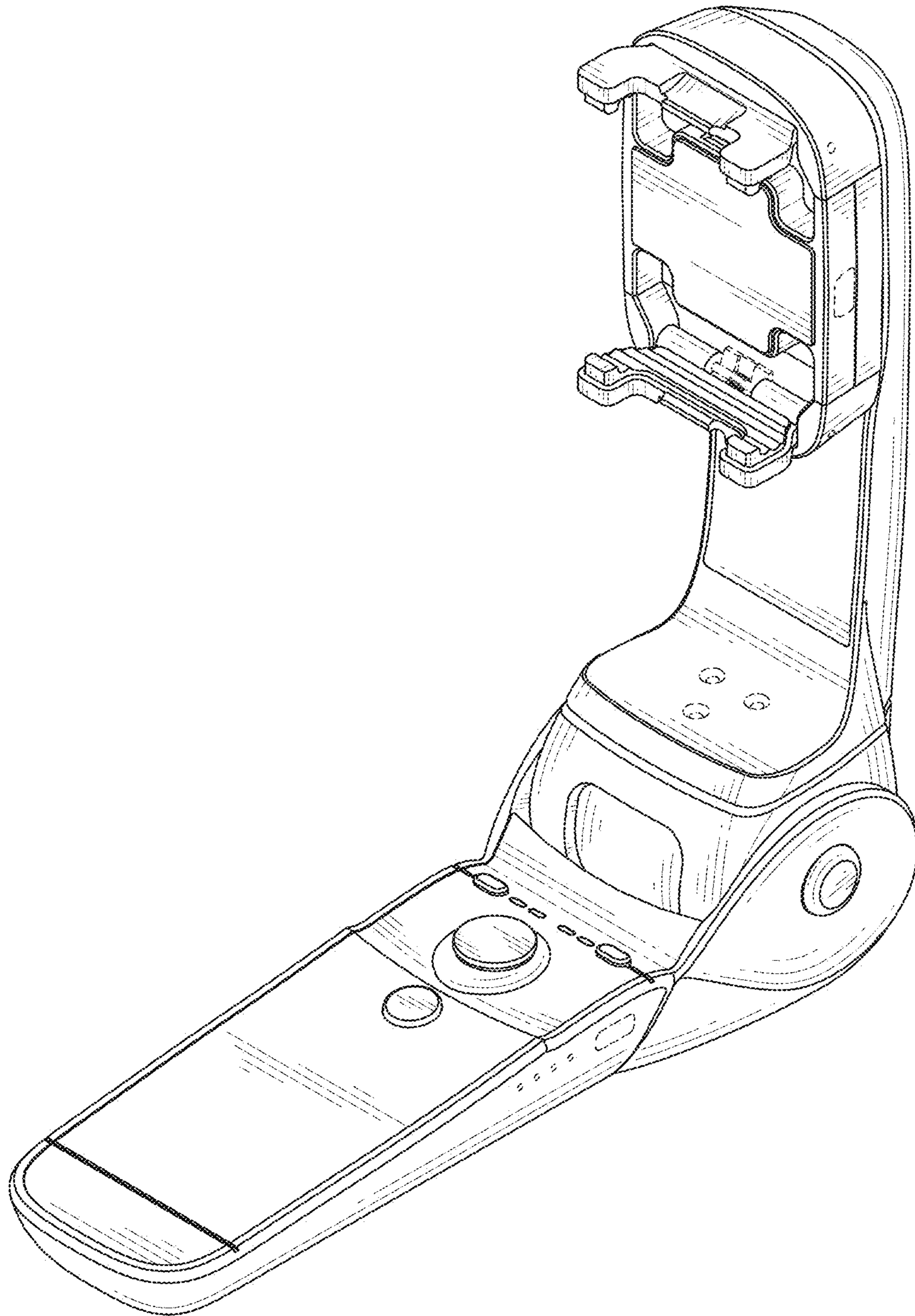


FIG. 9