



US00D841638S

(12) **United States Design Patent** (10) **Patent No.:** **US D841,638 S**
Jackson (45) **Date of Patent:** **** Feb. 26, 2019**

(54) **WRIST WORN PHONE HOLDER**
(71) Applicant: **Eljon Jackson**, Rome, GA (US)
(72) Inventor: **Eljon Jackson**, Rome, GA (US)
(**) Term: **15 Years**

2007/0095871 A1 5/2007 Chen
2012/0255978 A1 10/2012 Williams
2015/0335116 A1* 11/2015 Kim A45C 11/00
224/191
2016/0242531 A1* 8/2016 Zerfus A45F 5/00
2016/0277551 A1* 9/2016 Williams A45F 5/00

(21) Appl. No.: **29/614,666**
(22) Filed: **Aug. 22, 2017**
(51) **LOC (11) Cl.** **14-03**
(52) **U.S. Cl.**
USPC **D14/250**
(58) **Field of Classification Search**
USPC D14/250; D20/27
CPC H04B 1/385
See application file for complete search history.

FOREIGN PATENT DOCUMENTS

EP 2633673 A2 9/2013

OTHER PUBLICATIONS

Flexible phone holder, posted at phoneholder.co, posting date not given, [online], [site visited Sep. 24, 2018]. Available from Internet, URL: <http://phoneholder.co/flexible-phone-holder/> (Year: 2018).*
Gear Beast Universal Smartphone Necklace, posted at amazon.com, posting date by Dec. 2, 2016, [online], [site visited Sep. 24, 2018]. Available from Internet, URL: <https://www.amazon.com/Gear-Beast-Universal-Smartphone-Necklace/dp/B01KYCQDUO/> (Year: 2018).*

(Continued)

(56) **References Cited**

U.S. PATENT DOCUMENTS

3,352,040 A * 11/1967 Javkin A45C 13/42
40/662
3,961,431 A * 6/1976 Kalenian A45C 13/42
40/665
6,078,803 A 6/2000 Martinez
D490,113 S * 5/2004 Nykoluk D20/27
7,243,824 B2 7/2007 Tabata
7,451,561 B2 * 11/2008 Weisbart G09F 3/14
40/634
D616,197 S 5/2010 Fuccella
8,099,794 B2 1/2012 Carstens
D655,497 S 3/2012 Stanley
D720,805 S * 1/2015 Khayat D19/34
9,065,890 B2 6/2015 Filippov
D749,567 S * 2/2016 Lee D14/203.4
D789,345 S * 6/2017 Kim D14/250
D808,377 S * 1/2018 Witter D14/250
2005/0277452 A1 12/2005 Pasamba
2006/0166720 A1 7/2006 Dixon

Primary Examiner — George D. Kirschbaum
Assistant Examiner — Maria J Edwards

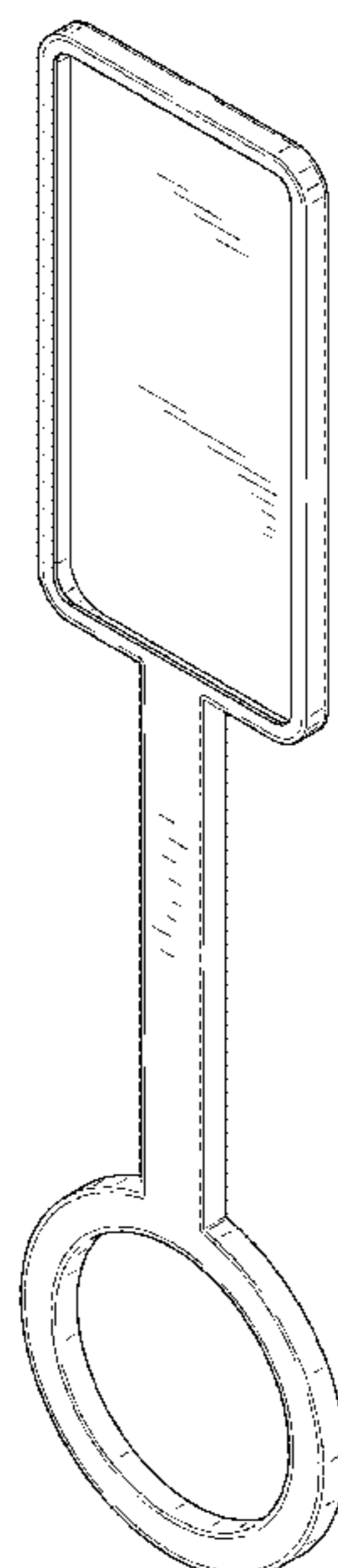
(57) **CLAIM**

I claim the ornamental design for a wrist worn phone holder, as shown and described.

DESCRIPTION

FIG. 1 is a front view of the wrist worn phone holder.
FIG. 2 is a back view of the claimed design.
FIG. 3 is a side view of the claimed design.
FIG. 4 is a top view of the claimed design.
FIG. 5 is a bottom view of the claimed design; and,
FIG. 6 is a perspective view of the claimed design.

1 Claim, 4 Drawing Sheets



(56)

References Cited

OTHER PUBLICATIONS

Ightpro Smartphone Wrist Strap, posted at cellularsmartshop.com, no date, [online], [visited Sep. 24, 2018]. Available from: <https://www.cellularsmartshop.com/collections/smartphone-holders/products/ightpro-f-mount-smartphone-grip-handle-rig-with-wrist-strap-tripod-mount-adapter-filmmaker-traveler-grip> (Year: 2018).*

Wrist phone armband, posted at dhgate.com, posting date not given, [online], [site visited Sep. 24, 2018]. Available from Internet, URL: <https://www.dhgate.com/product/arm-bands-wrist-phone-armband-marsee-forearm/402032205.html> (Year: 2018).*

* cited by examiner

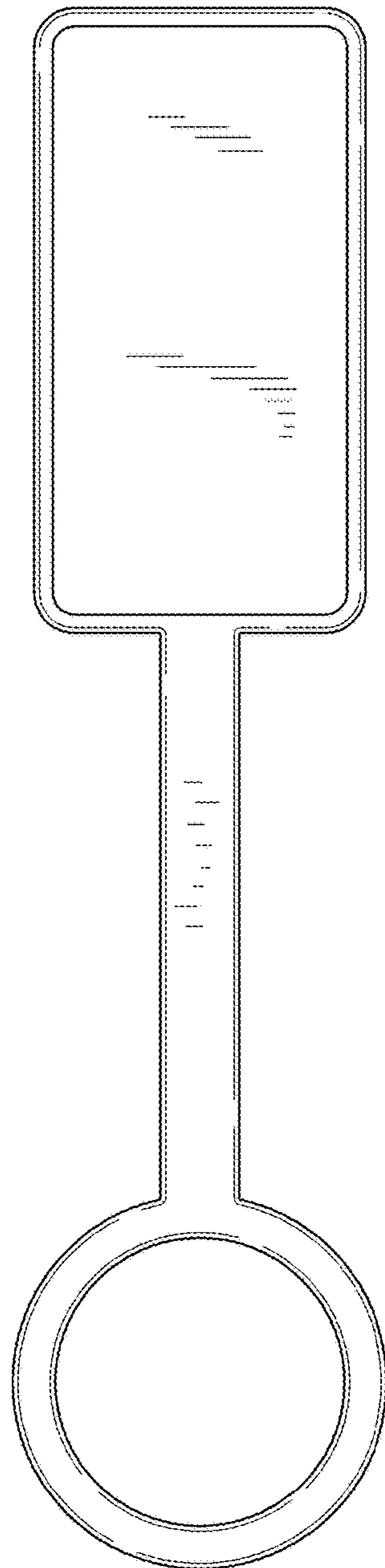


FIG. 1

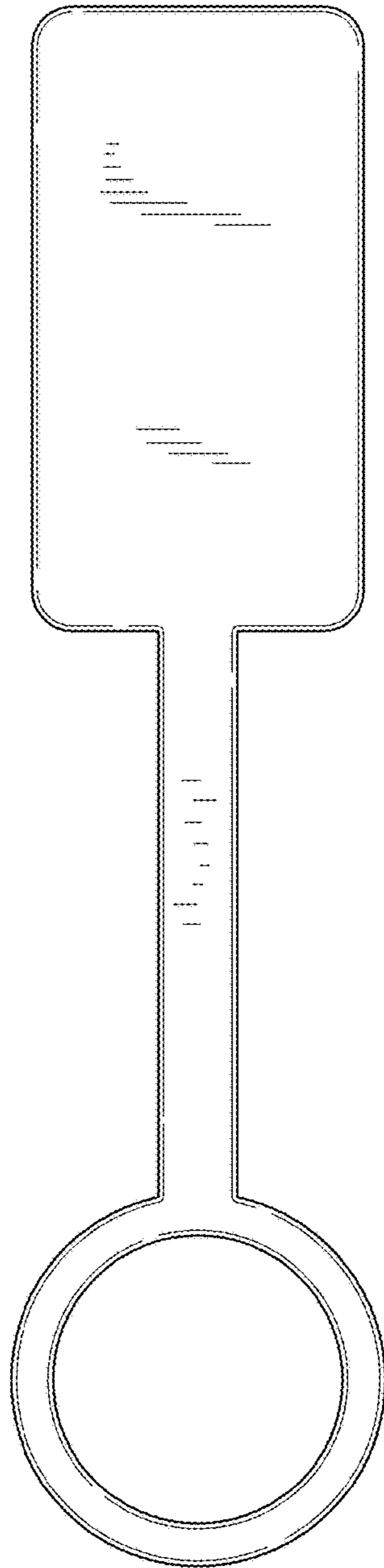


FIG. 2

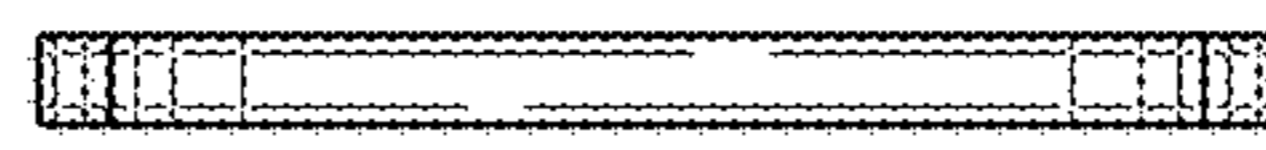
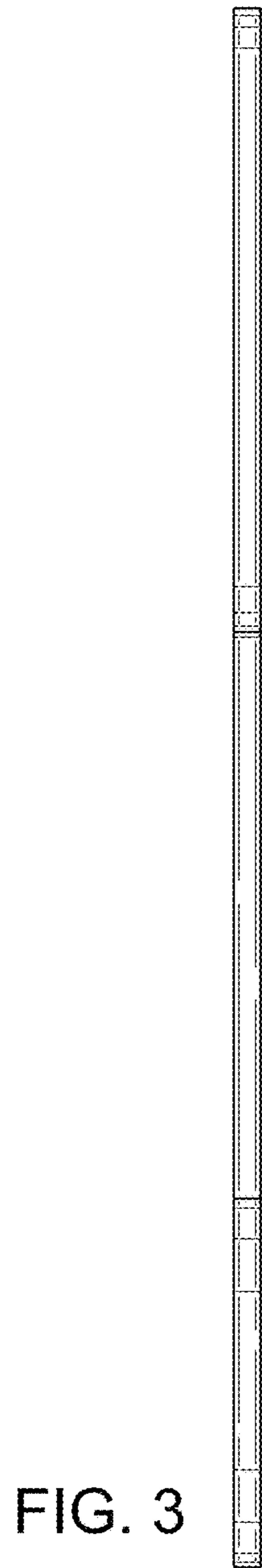


FIG. 4

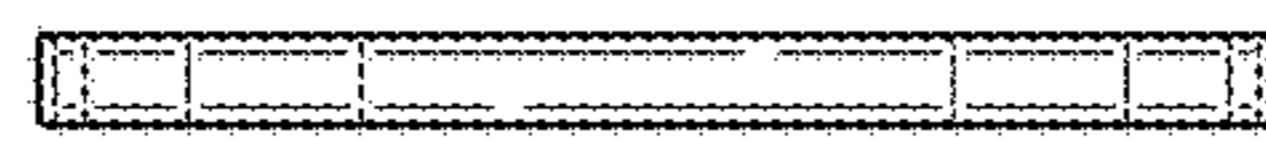


FIG. 5

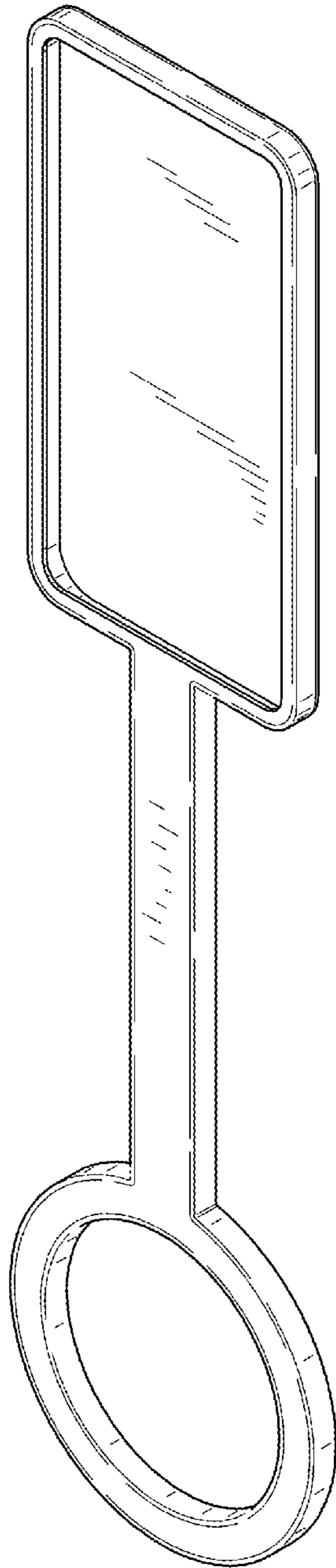


FIG. 6