



US00D841636S

(12) **United States Design Patent** (10) **Patent No.:** **US D841,636 S**
Turk (45) **Date of Patent:** **** Feb. 26, 2019**

(54) **CASE FOR A SMARTPHONE, CELLULAR PHONE, TABLET, GPS DEVICE, OR THE LIKE**

(71) Applicant: **Marc Timothy Turk**, Durban (ZA)

(72) Inventor: **Marc Timothy Turk**, Durban (ZA)

(**) Term: **15 Years**

(21) Appl. No.: **29/557,753**

(22) Filed: **Mar. 11, 2016**

Related U.S. Application Data

(63) Continuation-in-part of application No. PCT/ZA2014/000048, filed on Sep. 4, 2014.

(51) **LOC (11) Cl.** **14-03**

(52) **U.S. Cl.**
USPC **D14/250; D8/354**

(58) **Field of Classification Search**
USPC D3/201, 218, 226, 227, 247, 249, 250, D3/269, 303; D13/103, 107, 108, 119; D14/137, 138 R, 138 AA, 138 C, 138 G, D14/203.3-203.7, 217, 238.1, 247, 248, D14/250-253, 440, 447; D8/18, 33, 34, D8/354

CPC H04B 1/3888; H04M 1/0283; H04M 1/0202; A45C 1/06; A45C 2011/002; A45C 11/00; A45F 2005/028; A45F 2200/0525

See application file for complete search history.

(56) **References Cited**

U.S. PATENT DOCUMENTS

795,330 A * 7/1905 Brewington et al. B67B 7/16 81/3.55
D311,667 S * 10/1990 Cholagh D8/18
5,433,416 A 7/1995 Johnson

(Continued)

FOREIGN PATENT DOCUMENTS

DE 9409337 U1 7/1994
DE 9409336 U1 8/1994

(Continued)

OTHER PUBLICATIONS

Beanbag Mount, posted at tomtom.com, posting date not given, [online], [site Visited Jan. 17, 2017]. Available from Internet, <URL: https://www.tomtom.com/en_au/drive/accessories/mountsdocks/beanbagmount/>.

(Continued)

Primary Examiner — Susan E Krakower

Assistant Examiner — L. A. Grabenstetter

(74) *Attorney, Agent, or Firm* — Alston & Bird LLP

(57) **CLAIM**

The ornamental design for a case for a smartphone, cellular phone, tablet, GPS device, or the like, as shown and described.

DESCRIPTION

FIG. 1 is a perspective view of a case for a smartphone, cellular phone, tablet, GPS device, or the like showing my new design;

FIG. 2 is a front elevation view thereof;

FIG. 3 is a rear elevation view thereof;

FIG. 4 is a left side elevation view thereof;

FIG. 5 is a right side elevation view thereof;

FIG. 6 is a bottom plan view thereof;

FIG. 7 is a top plan view thereof;

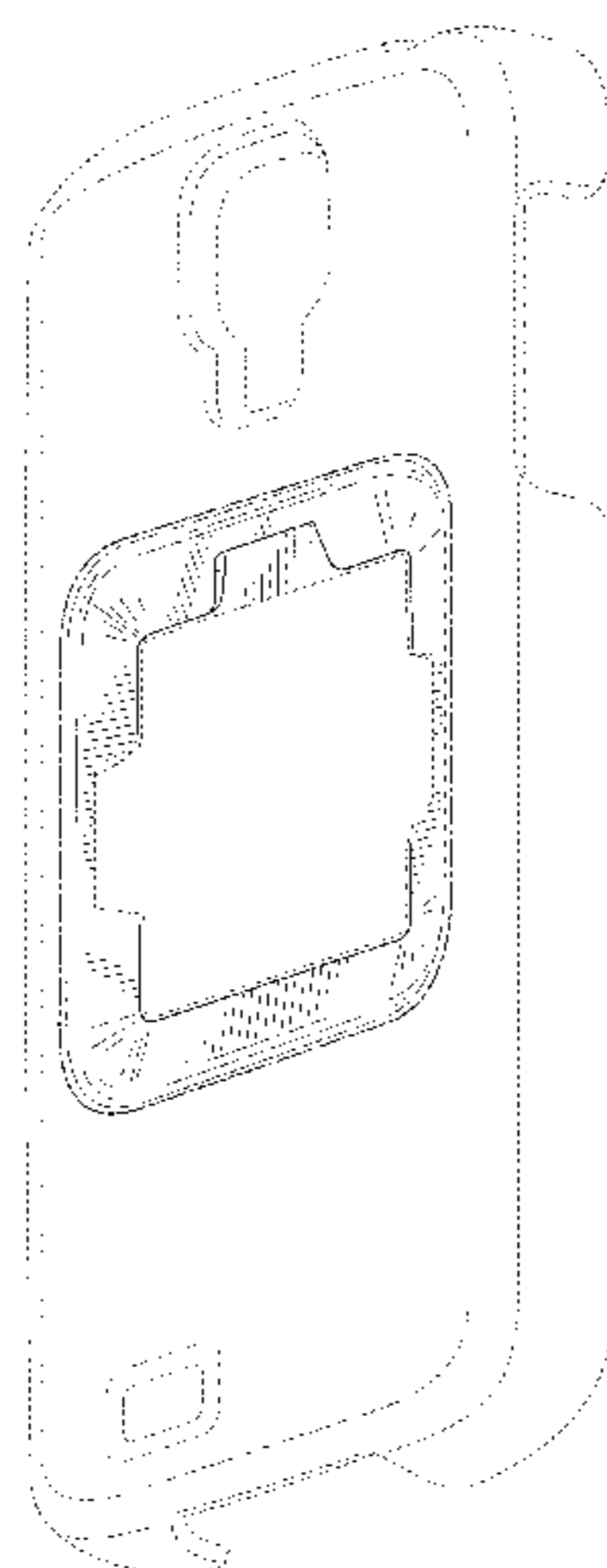
FIG. 8 is a left side elevation cross-section view thereof, taken along line 8-8 of FIG. 2; and,

FIG. 9 is a front elevation cross-section view thereof, taken along line 9-9 of FIG. 4.

The dash-dash broken lines depict portions of the case that form no part of the claimed design.

The dot-dash broken lines represent boundaries to the claim, and form no part of the claimed design.

1 Claim, 9 Drawing Sheets



(56)

References Cited

U.S. PATENT DOCUMENTS

D419,290 S * 1/2000 Treyer D14/253
 D561,561 S * 2/2008 Wohlford D8/354
 D609,460 S * 2/2010 Riccardi D3/218
 7,722,388 B1 5/2010 Michaeli et al.
 D627,771 S * 11/2010 Smith D14/253
 7,832,606 B2 11/2010 Sin
 D654,068 S * 2/2012 Monaco D14/250
 D658,972 S * 5/2012 Virgin D8/349
 D686,409 S * 7/2013 Pearce D3/218
 8,490,789 B2 * 7/2013 Lach A45C 11/00
 206/320
 D694,743 S * 12/2013 Monaco D14/250
 D700,502 S 3/2014 Smith
 8,662,362 B1 * 3/2014 Bastian H04B 1/3888
 224/197
 8,708,151 B2 * 4/2014 Whitten G06F 1/1656
 206/701
 D705,209 S * 5/2014 Feller D14/250
 D710,363 S 8/2014 Wengreen
 D712,894 S * 9/2014 Drexler D14/250
 D718,290 S * 11/2014 Whitten D14/250
 D722,603 S * 2/2015 Lay D14/447
 D725,119 S * 3/2015 Gaylord D14/440
 8,983,559 B2 * 3/2015 Chiu H04M 1/185
 379/433.11
 D726,732 S * 4/2015 Lay D14/440
 D730,341 S * 5/2015 Chan D14/250
 D739,857 S 9/2015 Lay et al.
 D740,269 S * 10/2015 Monaco D14/250
 D741,146 S 10/2015 Deirue et al.

D742,529 S * 11/2015 Huffman D24/186
 9,185,953 B2 * 11/2015 Whitten A45C 11/00
 D748,639 S * 2/2016 Khodapanah D14/447
 D749,549 S 2/2016 Wengreen
 D756,754 S 5/2016 Allen
 9,383,774 B2 * 7/2016 Whitten G06F 1/1656
 D772,859 S 11/2016 Alesi et al.
 D789,774 S * 6/2017 Turk B60R 11/02
 D8/354

2012/0126081 A1 5/2012 Wengreen et al.
 2012/0127379 A1 5/2012 Wengreen et al.

FOREIGN PATENT DOCUMENTS

DE 19538249 A1 6/1996
 EP 2 213 517 A1 8/2010

OTHER PUBLICATIONS

TomTom Go 720 Full Review, posted at gpslodge.com, posted Sep. 21, 2007, [online], [site visited Jan. 17, 2017]. Available from Internet, <URL: <http://gpslodge.com/archives/013408.php>>.
 TomTom Go 720—CNET France, posted at cnetfrance.fr, posted Jul. 31, 2007, [online], [site visited Jan. 17, 2017]. Available from Internet, <URL: <http://www.cnetfrance.fr/produits/tomtogo72039371802.htm>>.
 Office Action for Design U.S. Appl. No. 29/557,748 dated Jan. 26, 2017.
 International Search Report and Written Opinion for International Application No. PCT/ZA2014/000048 dated Feb. 27, 2015.

* cited by examiner

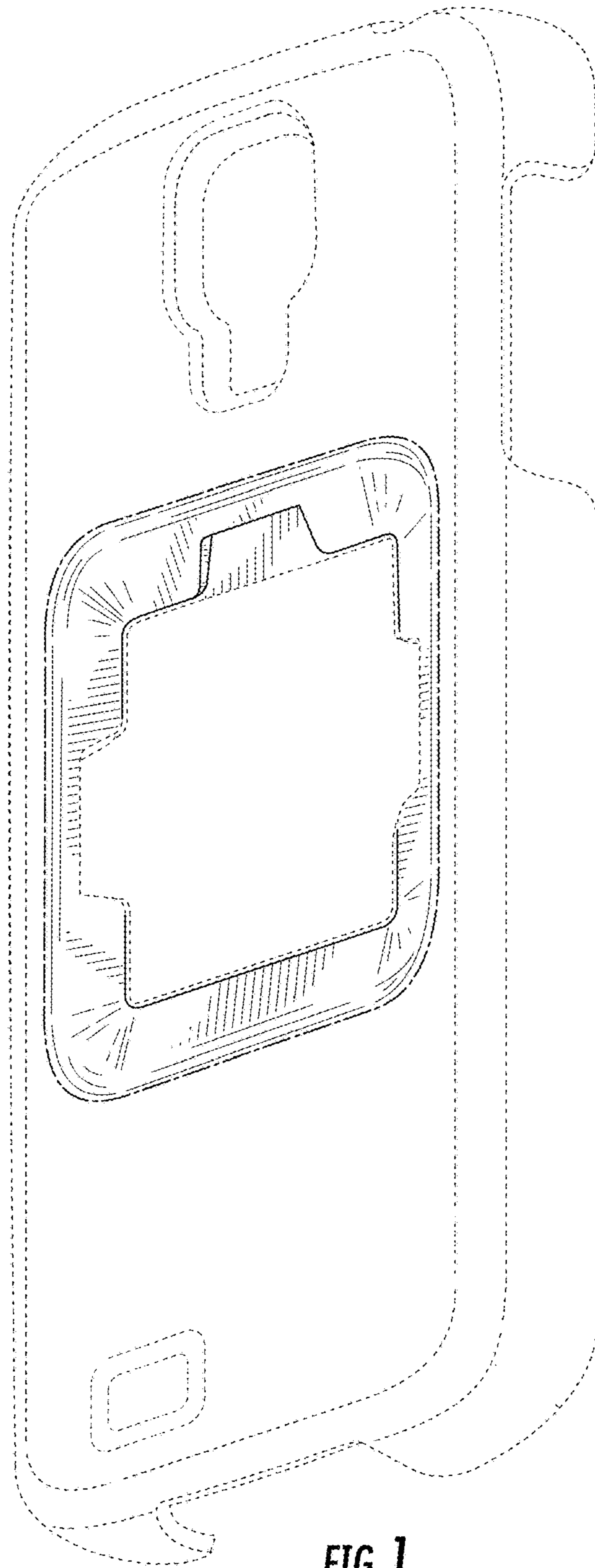


FIG. 1

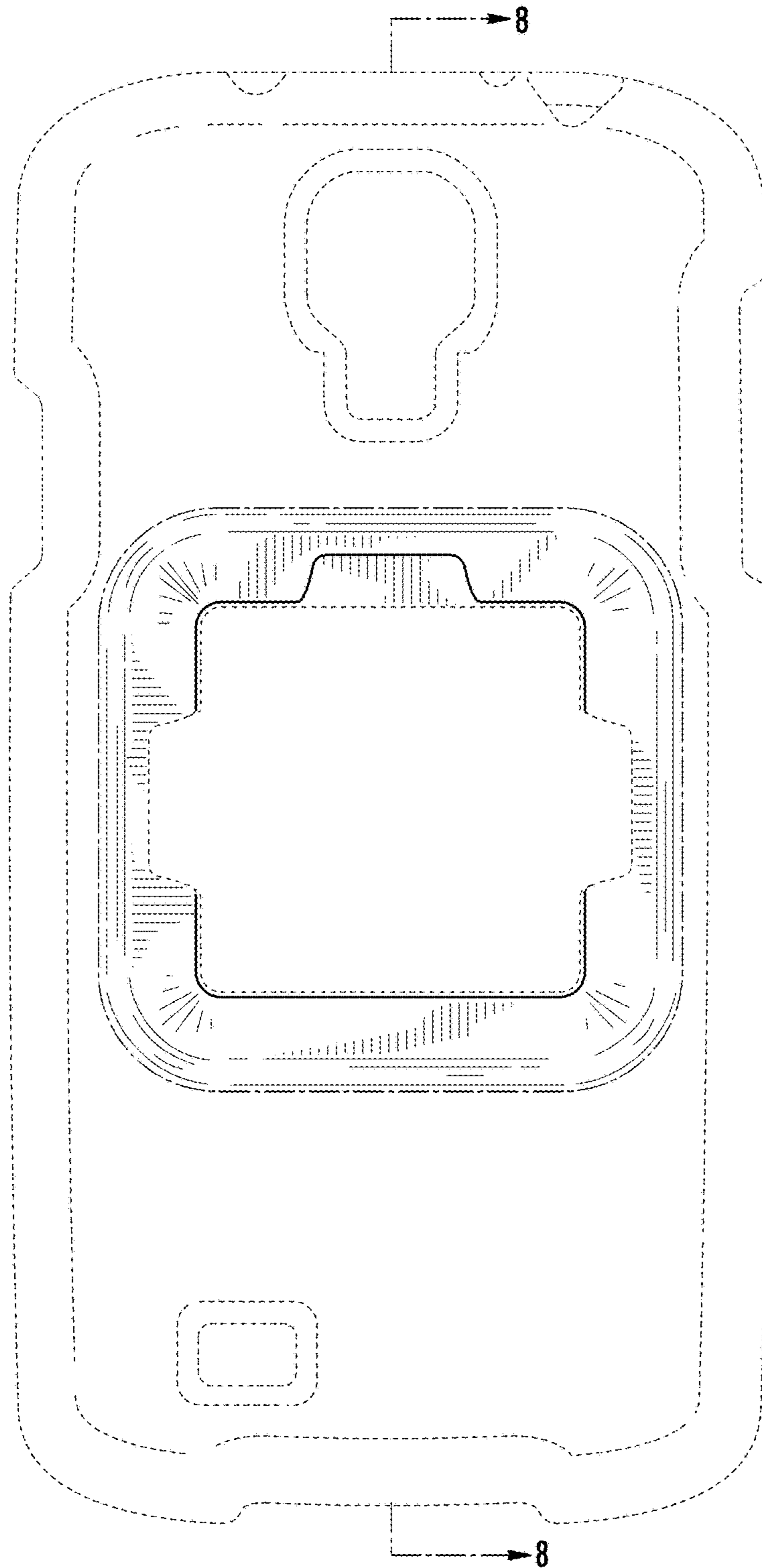


FIG. 2

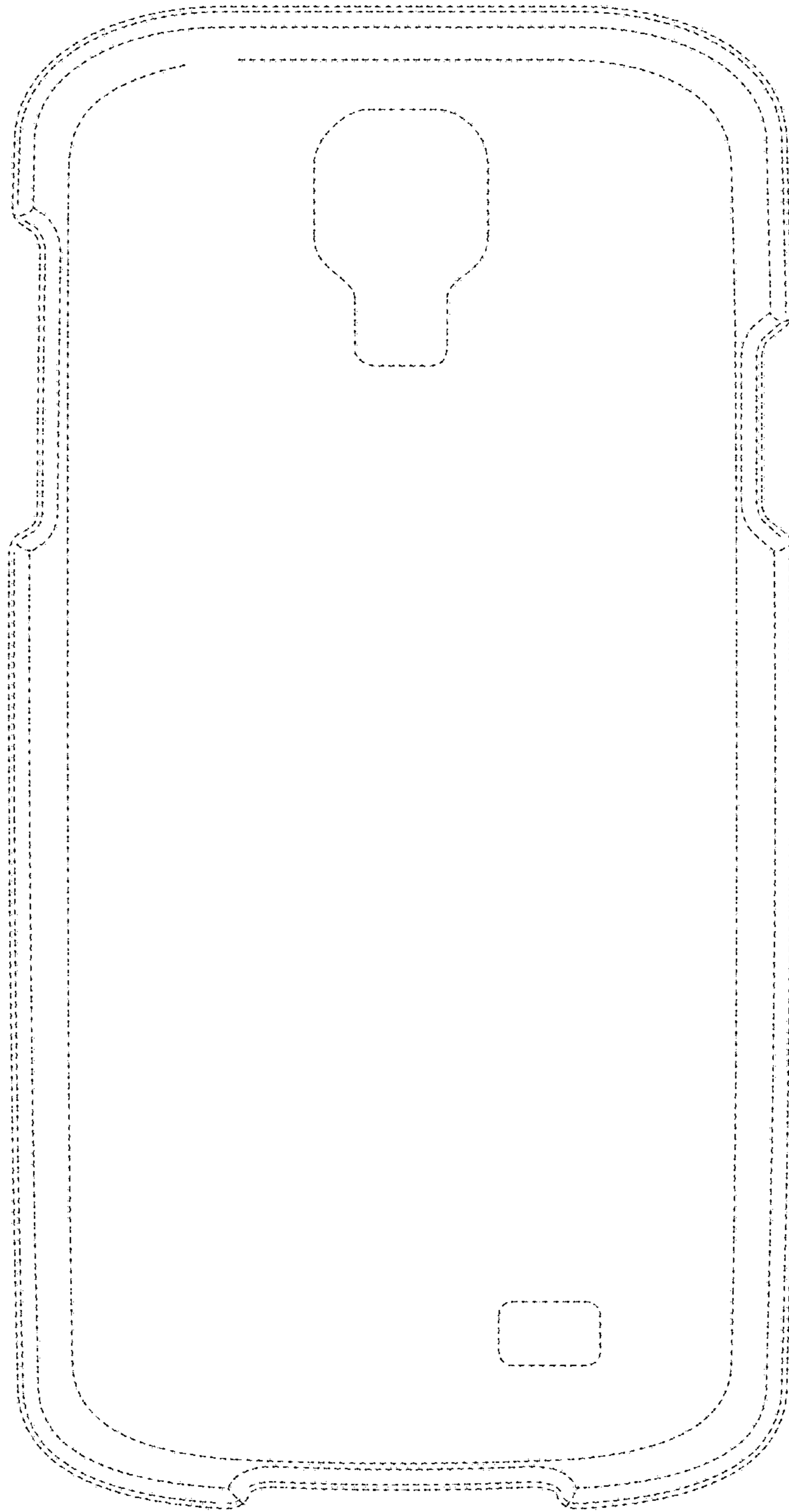


FIG. 3

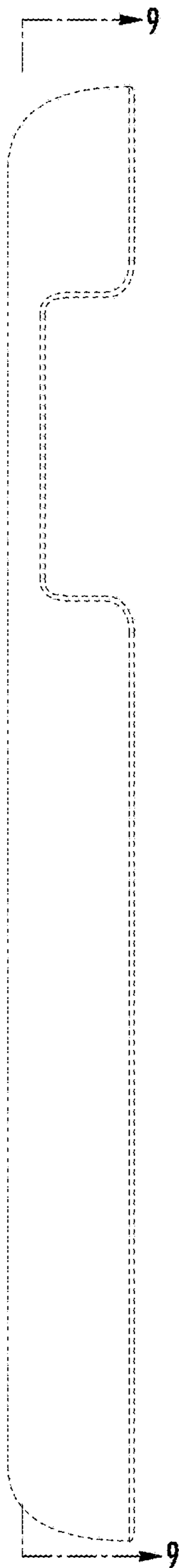


FIG. 4

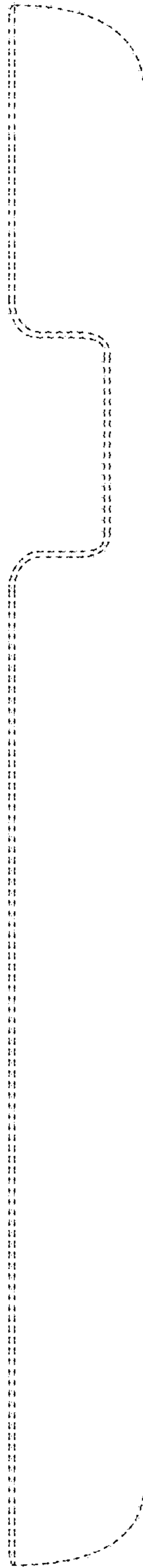


FIG. 5



FIG. 6

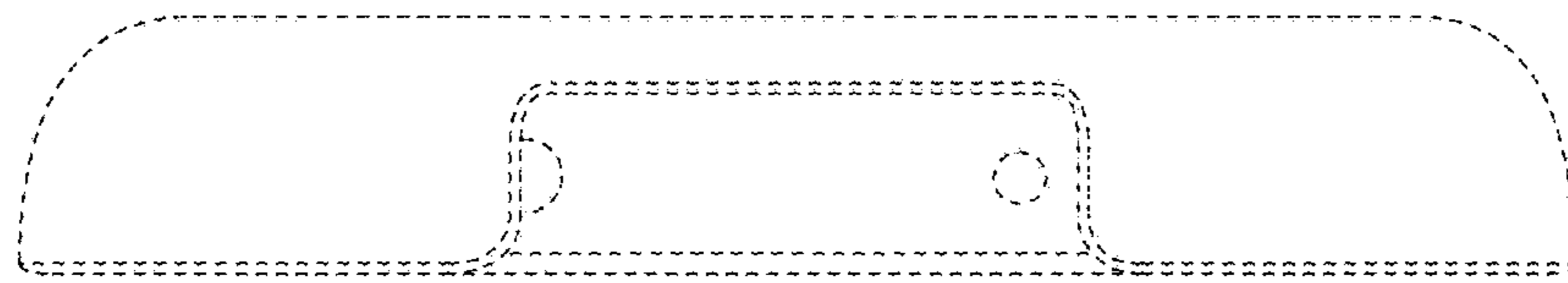


FIG. 7

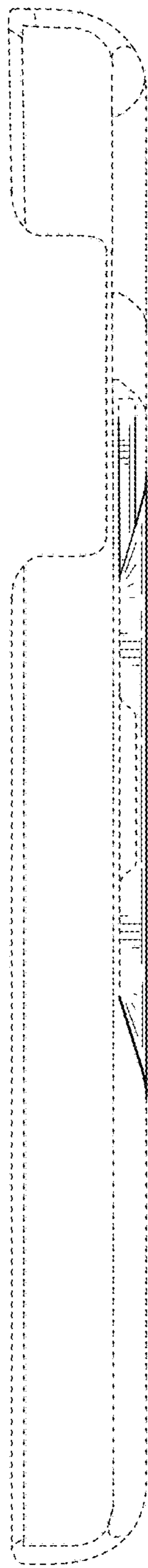


FIG. 8

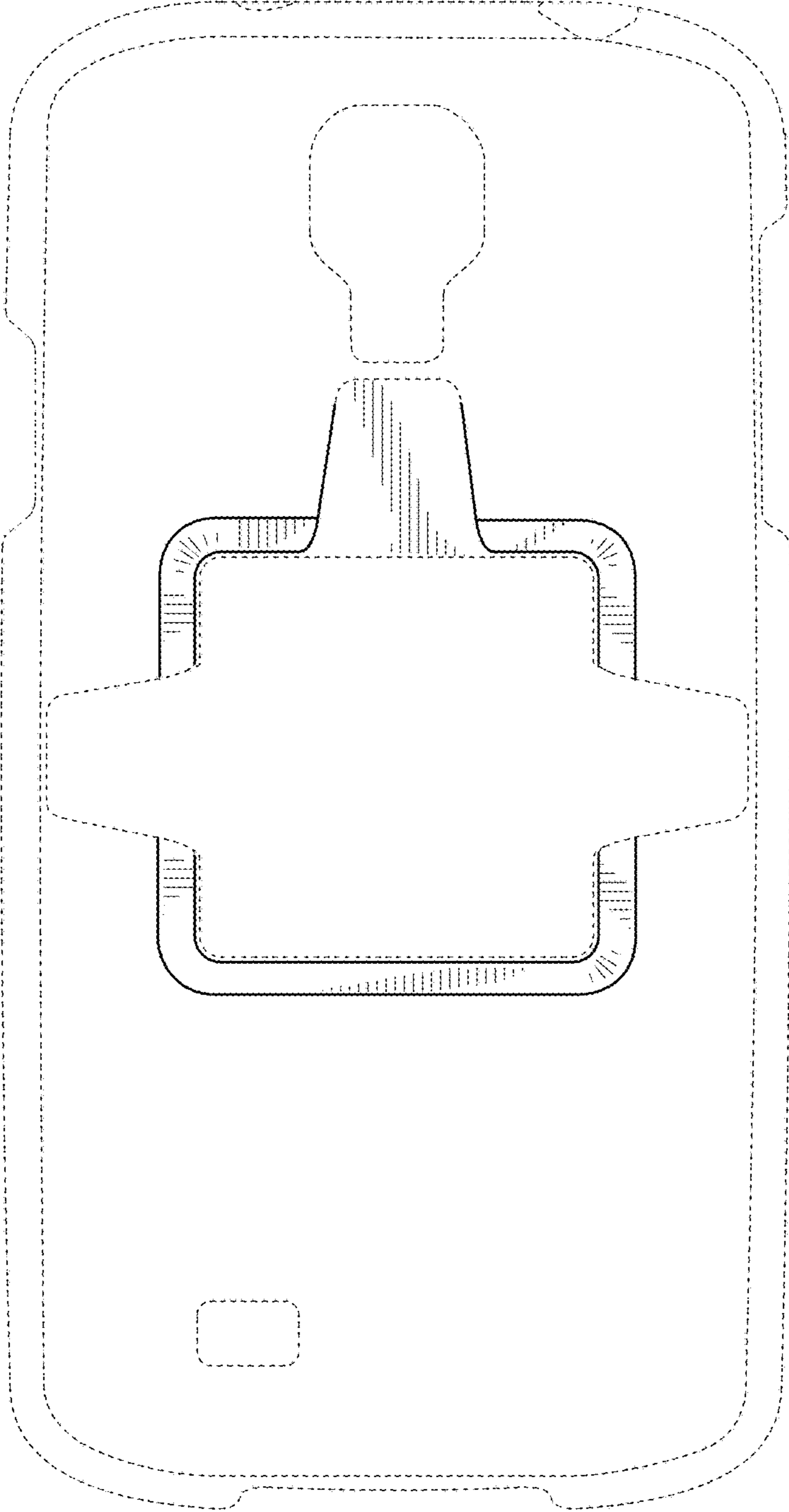


FIG. 9