



US00D841631S

(12) **United States Design Patent** (10) **Patent No.:** **US D841,631 S**  
**Pei** (45) **Date of Patent:** **\*\* Feb. 26, 2019**

(54) **FLAT TV MOUNT**

CPC ..... A47B 43/00; G03B 1/00  
See application file for complete search history.

(71) Applicant: **Xu Bo Pei**, Shenzhen (CN)

(72) Inventor: **Xu Bo Pei**, Shenzhen (CN)

(\*\*) Term: **15 Years**

(21) Appl. No.: **29/639,500**

(22) Filed: **Mar. 6, 2018**

(30) **Foreign Application Priority Data**

Dec. 25, 2017 (CN) ..... 2017 3 0667096

(51) **LOC (11) Cl.** ..... **14-03**

(52) **U.S. Cl.**  
USPC ..... **D14/239**

(58) **Field of Classification Search**

USPC ..... D14/239, 371, 136, 374-377; D8/363,  
D8/373, 349, 394; 248/465, 917-924,  
248/123.11; 348/825, 827, 836, 837, 838,  
348/180, 184, 325, 739; 600/443;  
D6/477-479, 407, 474, 460, 461, 468;  
312/7.2; 341/12; 345/87, 104, 133, 156,  
345/168, 169, 173; 720/605, 669, 600,  
720/655; 369/99, 197; 455/344-347;  
349/1, 2, 11, 62; 108/59, 91, 92, 96;  
211/40, 41.12, 42, 49.1, 50, 85.2, 90.04,  
211/187, 190, 119.003, 134.1, 53, 87.01,  
211/71.01

(56) **References Cited**

U.S. PATENT DOCUMENTS

D634,739 S \* 3/2011 Molter ..... D14/239  
D636,765 S \* 4/2011 Molter ..... D14/239  
D656,493 S \* 3/2012 Dolack ..... D14/239

\* cited by examiner

*Primary Examiner* — Randall H Gholson

(74) *Attorney, Agent, or Firm* — JCIPRNET

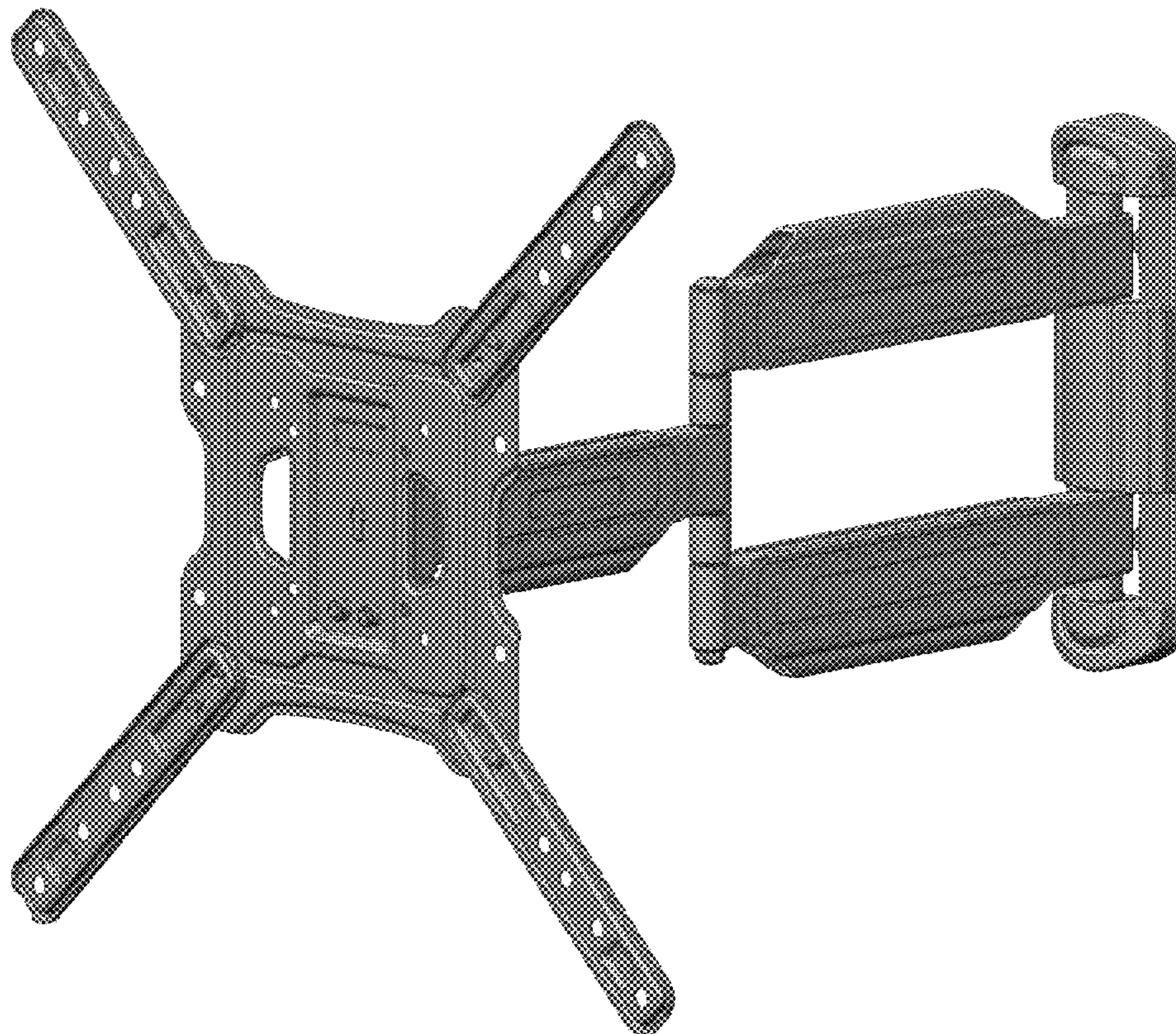
(57) **CLAIM**

The ornamental design for a flat TV mount, as shown and described.

**DESCRIPTION**

FIG. 1 is a perspective view of a flat TV mount showing my new design;  
FIG. 2 is a front view thereof;  
FIG. 3 is a rear view thereof;  
FIG. 4 is a left side view thereof;  
FIG. 5 is a right side view thereof;  
FIG. 6 is a top view thereof; and,  
FIG. 7 is a bottom view thereof.

**1 Claim, 7 Drawing Sheets**



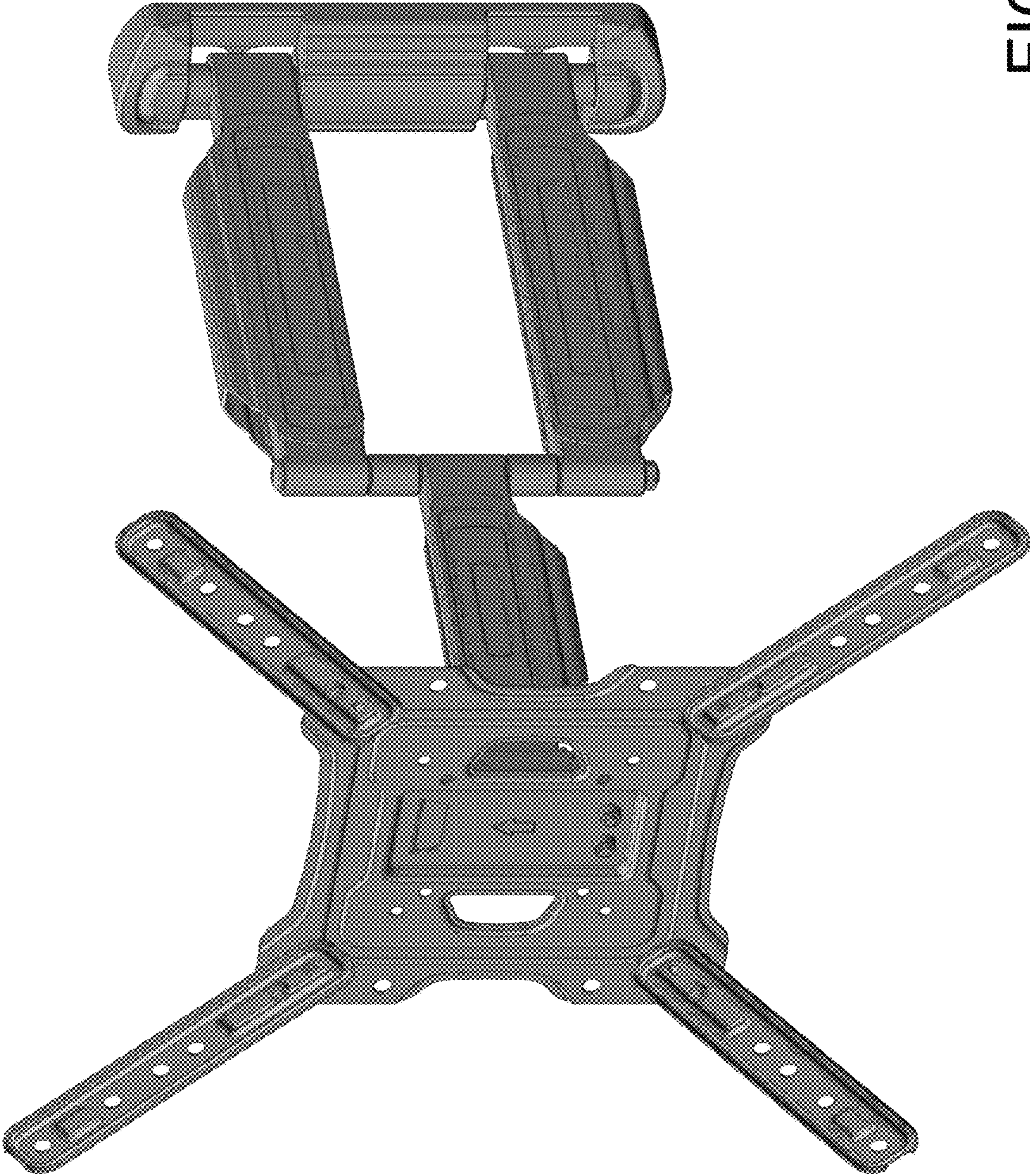


FIG. 1

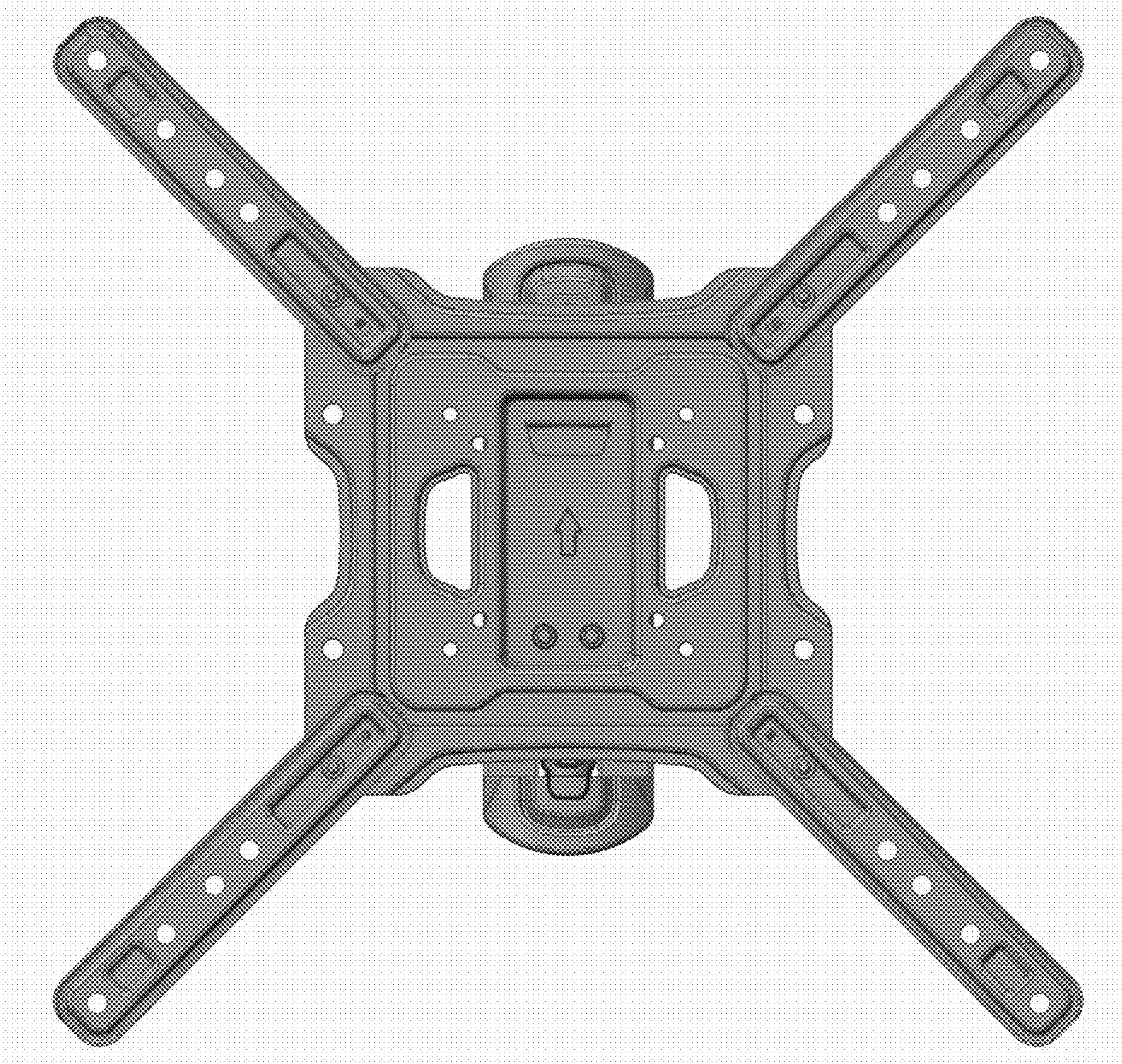


FIG. 2

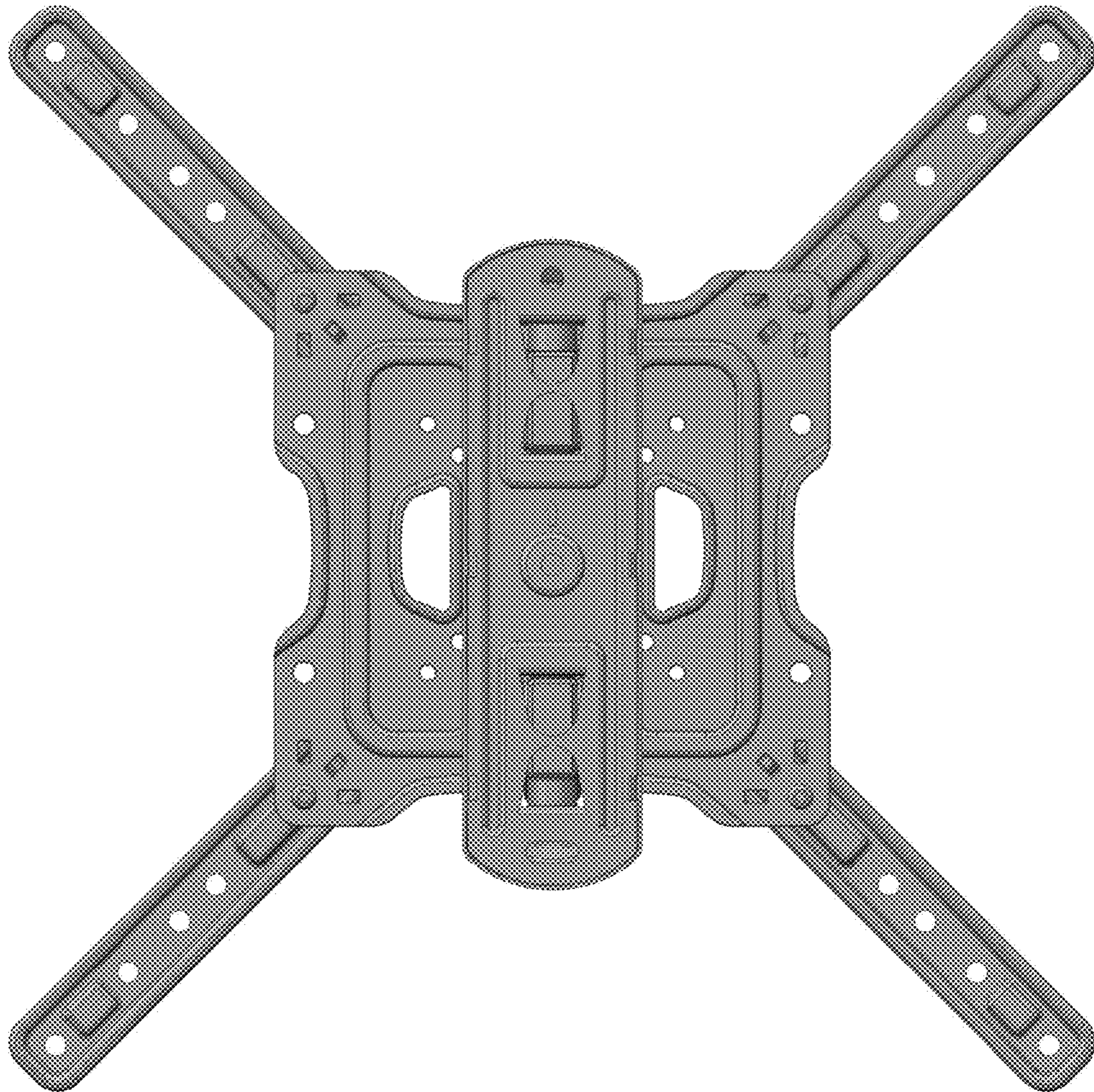


FIG. 3

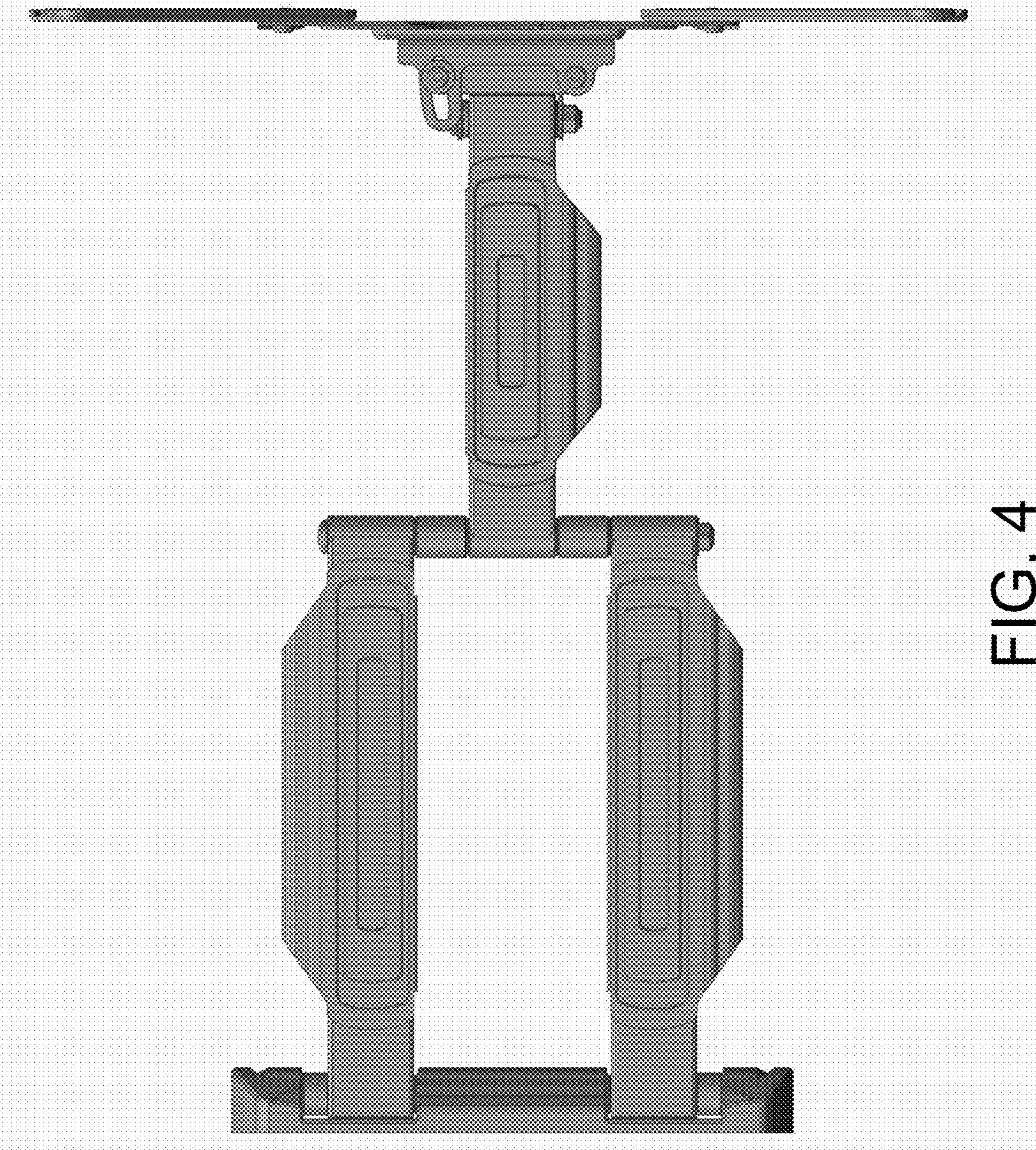


FIG. 4

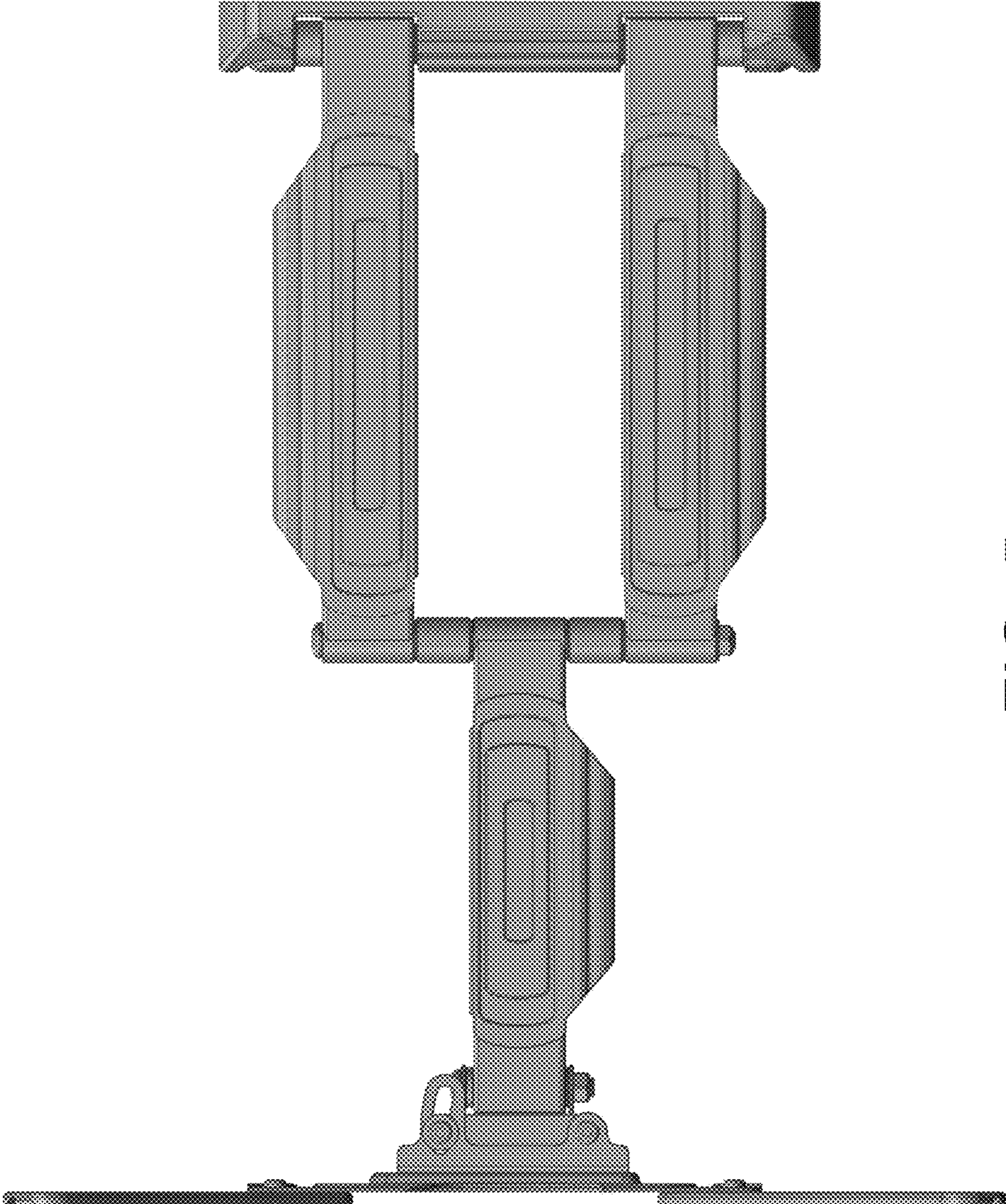


FIG. 5

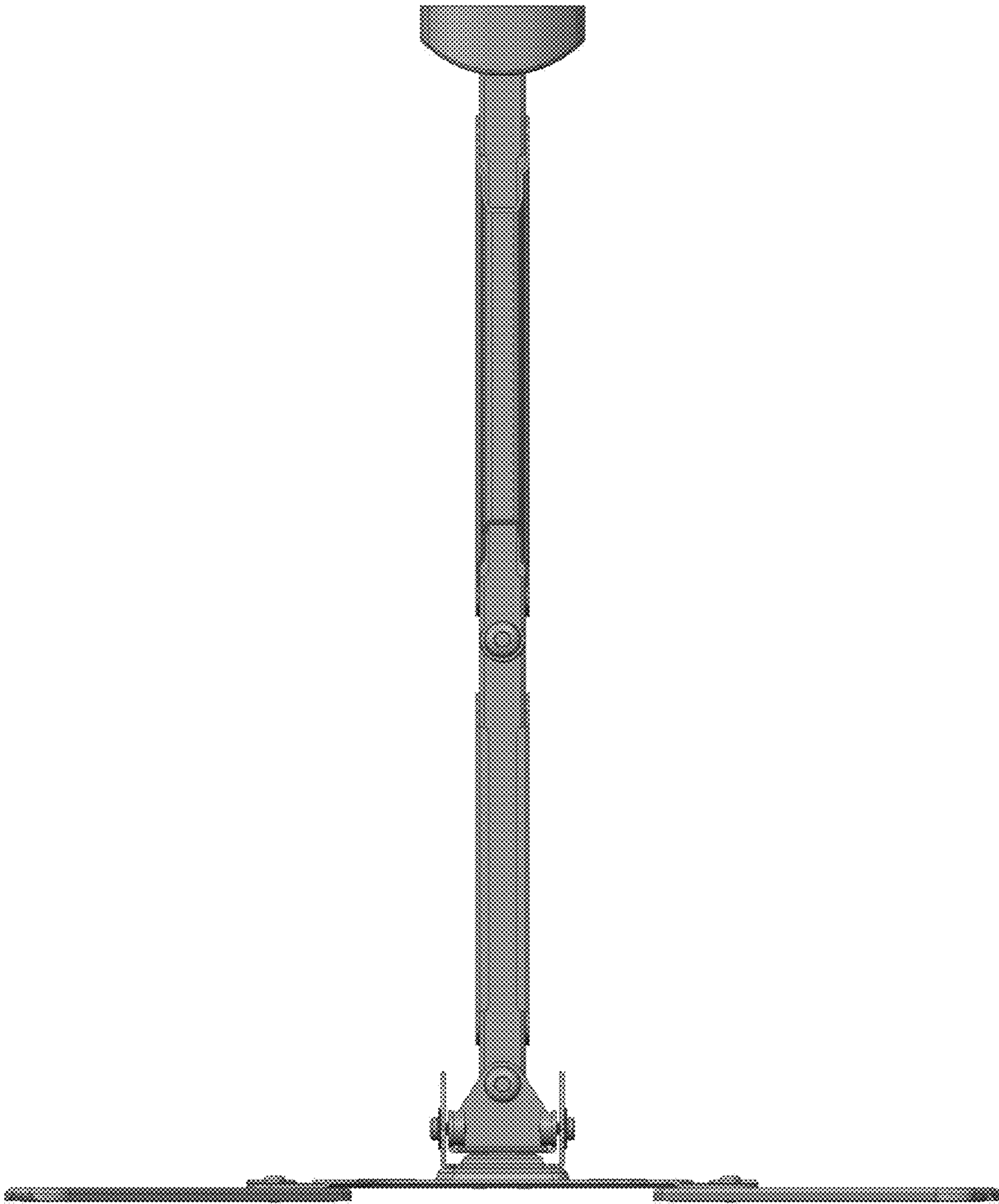


FIG. 6

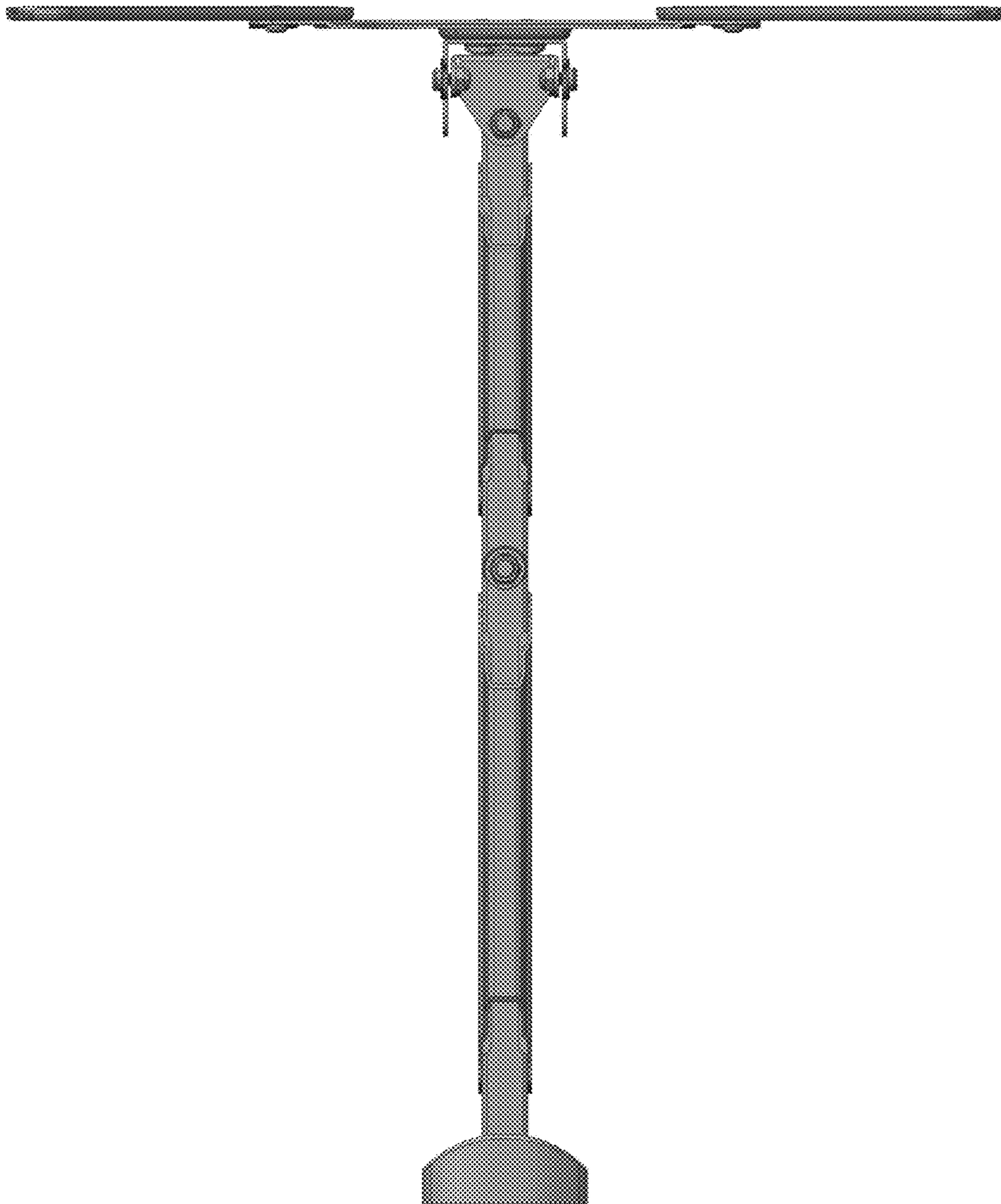


FIG. 7