



US00D841630S

(12) **United States Design Patent** (10) **Patent No.:** **US D841,630 S**
Mecchella et al. (45) **Date of Patent:** **** Feb. 26, 2019**

(54) **DEVICE COVER**

(71) Applicant: **Amazon Technologies, Inc.**, Seattle, WA (US)

(72) Inventors: **Monica Liane Mecchella**, San Francisco, CA (US); **Ravi Yatnalker**, Mountain View, CA (US)

(73) Assignee: **Amazon Technologies, Inc.**, Seattle, WA (US)

(**) Term: **15 Years**

(21) Appl. No.: **29/640,604**

(22) Filed: **Mar. 15, 2018**

Related U.S. Application Data

(62) Division of application No. 29/578,317, filed on Sep. 20, 2016, now Pat. No. Des. 813,273.

(51) **LOC (11) Cl.** **14-01**

(52) **U.S. Cl.**
USPC **D14/238.1**

(58) **Field of Classification Search**
USPC D14/432, 496, 498–511, 168–171, 188, D14/194–196, 203.1–203.8, 215–217,
(Continued)

(56) **References Cited**

U.S. PATENT DOCUMENTS

5,144,821 A 9/1992 Ernesti et al.
D397,026 S 8/1998 Drake
(Continued)

OTHER PUBLICATIONS

Canadian Office Action dated Oct. 17, 2017 for Canadian Design Application No. 173566, a counterpart foreign application of Design U.S. Appl. No. 29/578,317, 4 pages.

(Continued)

Primary Examiner — Sandra L Morris

(74) *Attorney, Agent, or Firm* — Lee & Hayes, P.C.

(57) **CLAIM**

The ornamental design for a device cover, as shown and described.

DESCRIPTION

FIG. 1 is a first perspective view of a first embodiment of a device cover, taken from above.

FIG. 2 is a second perspective view of the first embodiment of the device cover, taken from below.

FIG. 3 is a top view of the first embodiment of the device cover of FIG. 1.

FIG. 4 is a bottom view of the first embodiment of the device cover of FIG. 1.

FIG. 5 is a back view of the first embodiment of the device cover of FIG. 1.

FIG. 6 is a front view of the first embodiment of the device cover of FIG. 1.

FIG. 7 is a left-side view of the first embodiment of the device cover of FIG. 1.

FIG. 8 is a right-side view of the first embodiment of the device cover of FIG. 1.

FIG. 9 is a first perspective view of a second embodiment of a device cover, taken from above. The crosshatched pattern shown on the views of the second embodiment is meant to represent fabric (e.g., a woven fabric), and is understood to be distributed uniformly over the surface of the claimed design upon which the pattern occurs.

FIG. 10 is a second perspective view of the second embodiment of the device cover, taken from below.

FIG. 11 is a top view of the second embodiment of the device cover of FIG. 9.

FIG. 12 is a bottom view of the second embodiment of the device cover of FIG. 9.

FIG. 13 is a back view of the second embodiment of the device cover of FIG. 9.

FIG. 14 is a front view of the second embodiment of the device cover of FIG. 9.

FIG. 15 is a left-side view of the second embodiment of the device cover of FIG. 9; and,

(Continued)

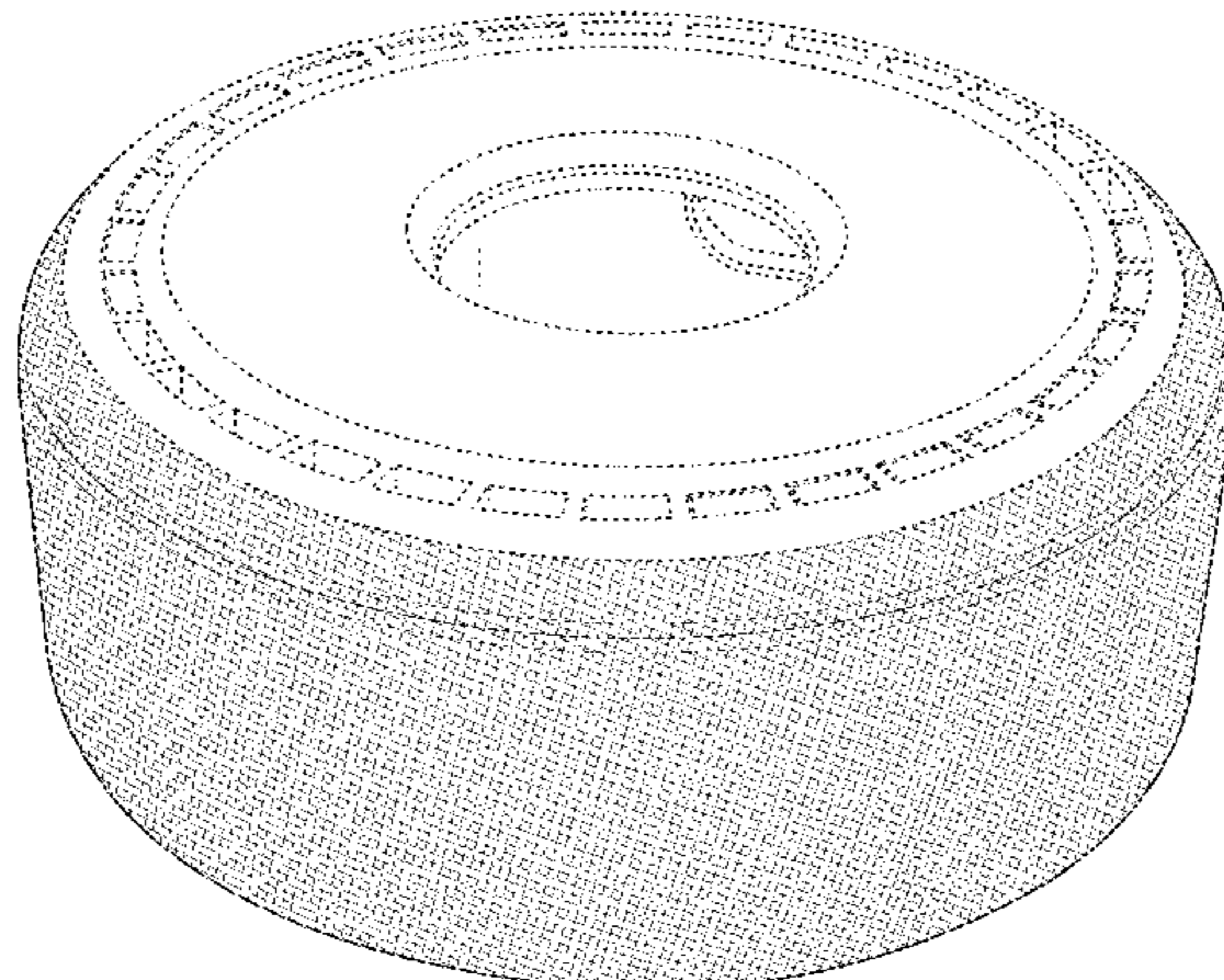


FIG. 16 is a right-side view of the second embodiment of the device cover of FIG. 9.

The broken lines depict portions of the device cover which form no part of the claimed design.

1 Claim, 16 Drawing Sheets

(58) **Field of Classification Search**

USPC D14/238.1; D3/308-309; D7/543, 548, D7/554.2

CPC .. H04B 1/06; H04B 1/08; H04B 1/086; G06F 1/1628; G06F 1/1613; G06F 1/1626; E05B 9/00; E05B 9/04

See application file for complete search history.

(56) **References Cited**

U.S. PATENT DOCUMENTS

D437,542 S	2/2001	Mimlitch et al.	
D446,441 S	8/2001	Brake	
D454,051 S	3/2002	Drake	
D569,226 S	5/2008	Brewster et al.	
7,596,830 B2	10/2009	Yin et al.	
D606,176 S *	12/2009	Urquiola	D23/293.1
7,631,397 B2	12/2009	Yin et al.	
D660,306 S *	5/2012	Voorhees	D14/238.1
D677,124 S *	3/2013	Montgomery	D7/543
D694,067 S *	11/2013	Chan	D7/548
D763,209 S	8/2016	Park et al.	
D776,121 S	1/2017	Mecchella et al.	
D784,317 S	4/2017	Mecchella et al.	
9,621,216 B1	4/2017	Yeh et al.	

OTHER PUBLICATIONS

Canadian Office Action dated Oct. 17, 2017 for Canadian Design Application No. 173568, a counterpart foreign application of Design U.S. Appl. No. 29/578,317, 4 pages.

Chinese Office Action dated Jul. 4, 2017 for Chinese design application No. 201730089853.1, a counterpart foreign application of Design U.S. Appl. No. 29/578,317, 1 page.

Indian Office Action dated Apr. 20, 2017 for Indian design application No. 291854, a counterpart foreign application of Design U.S. Appl. No. 29/578,317, 19 pages.

Indian Office Action dated Apr. 11, 2017 for Indian design application No. 291848, a counterpart foreign application of Design U.S. Appl. No. 29/578,317, 20 pages.

Indian Office Action dated Apr. 20, 2017 for Indian design application No. 291849, a counterpart foreign application of Design U.S. Appl. No. 29/578,317, 19 pages.

Translated Japanese Office Action dated Aug. 4, 2017 for Japanese Design application No. 2017-005654, a counterpart foreign application of Design U.S. Appl. No. 29/578,317, 2 pages.

Translated Japanese Office Action dated Aug. 4, 2017 for Japanese design application No. 2017-005655, a counterpart foreign application of Design U.S. Appl. No. 29/578,317, 2 pages.

Translated Japanese Office Action dated Aug. 4, 2017 for Japanese design application No. 2017-005656, a counterpart foreign application of Design U.S. Appl. No. 29/578,317, 2 pages.

Translated Japanese Office Action dated Aug. 4, 2017 for Japanese design application No. 2017-005657, a counterpart foreign application of Design U.S. Appl. No. 29/578,317, 2 pages.

Translated Japanese Office Action dated Aug. 4, 2017 for Japanese design application No. 2017-005658, a counterpart foreign application of Design U.S. Appl. No. 29/578,317, 2 pages.

Translated Japanese Office Action dated August 4, 2017 for Japanese design application No. 2017-005659, a counterpart foreign application of Design U.S. Appl. No. 29/578,317, 2 pages

* cited by examiner

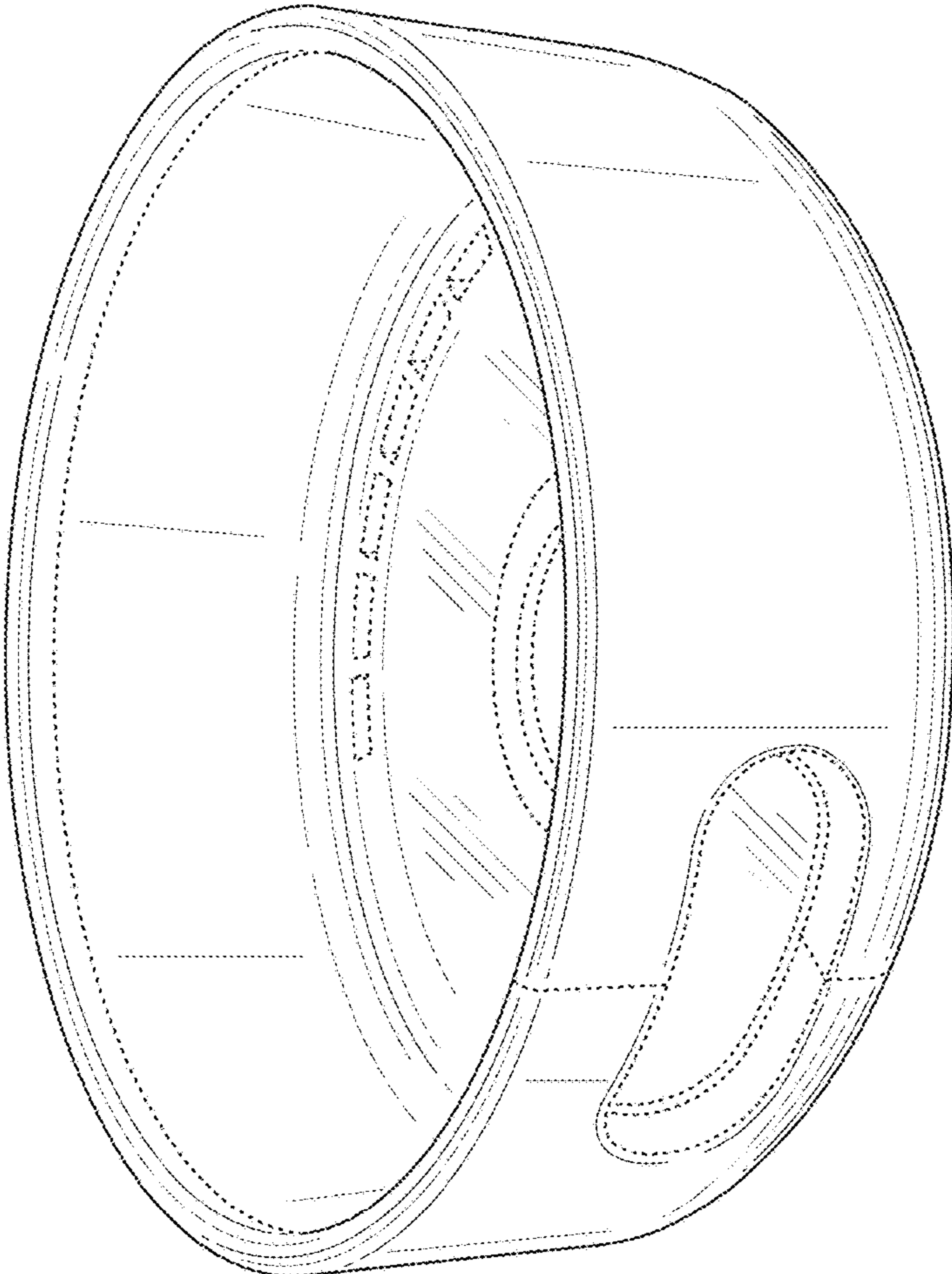


FIG. 1

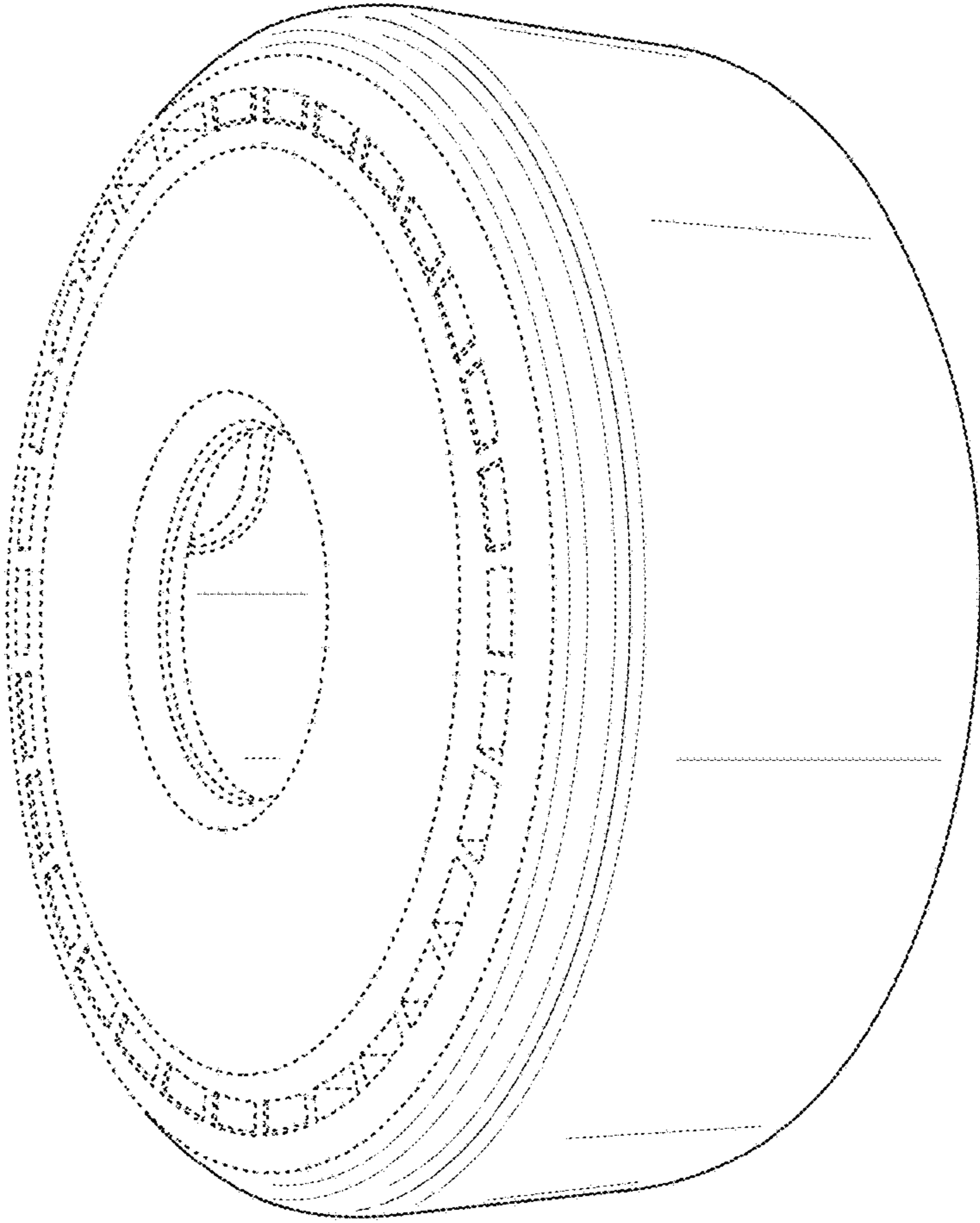


FIG. 2

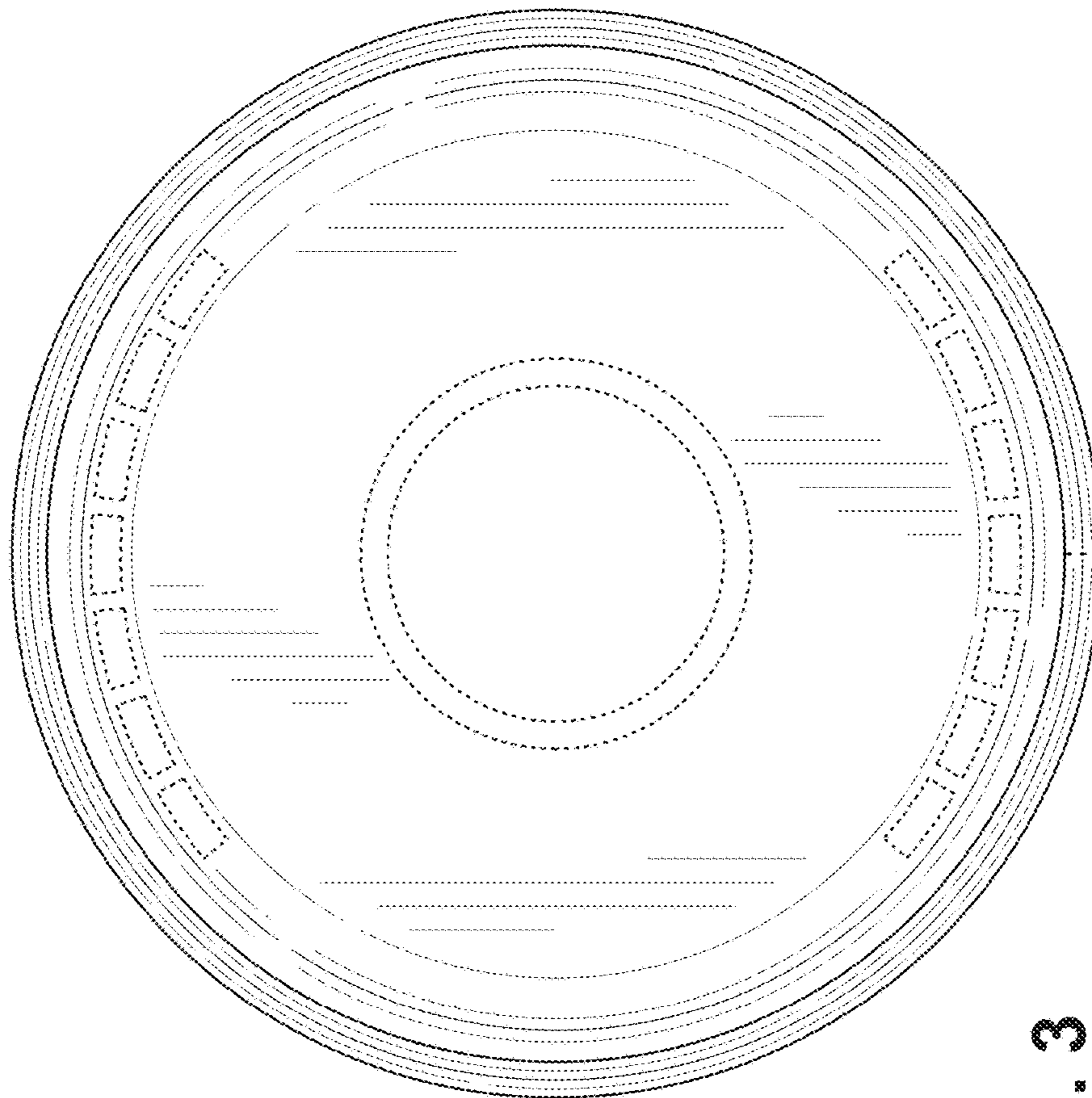


FIG. 3

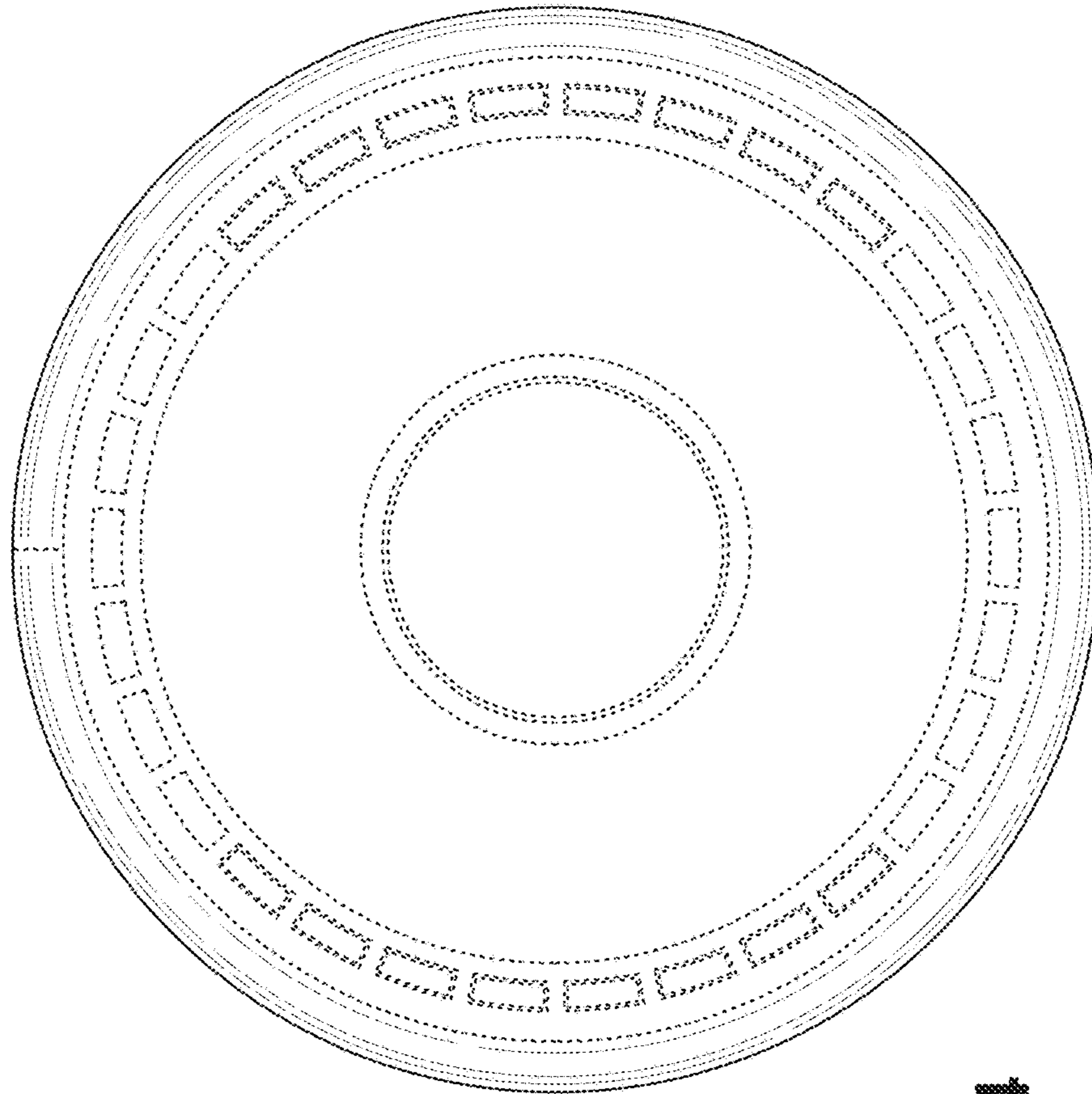


FIG. 4

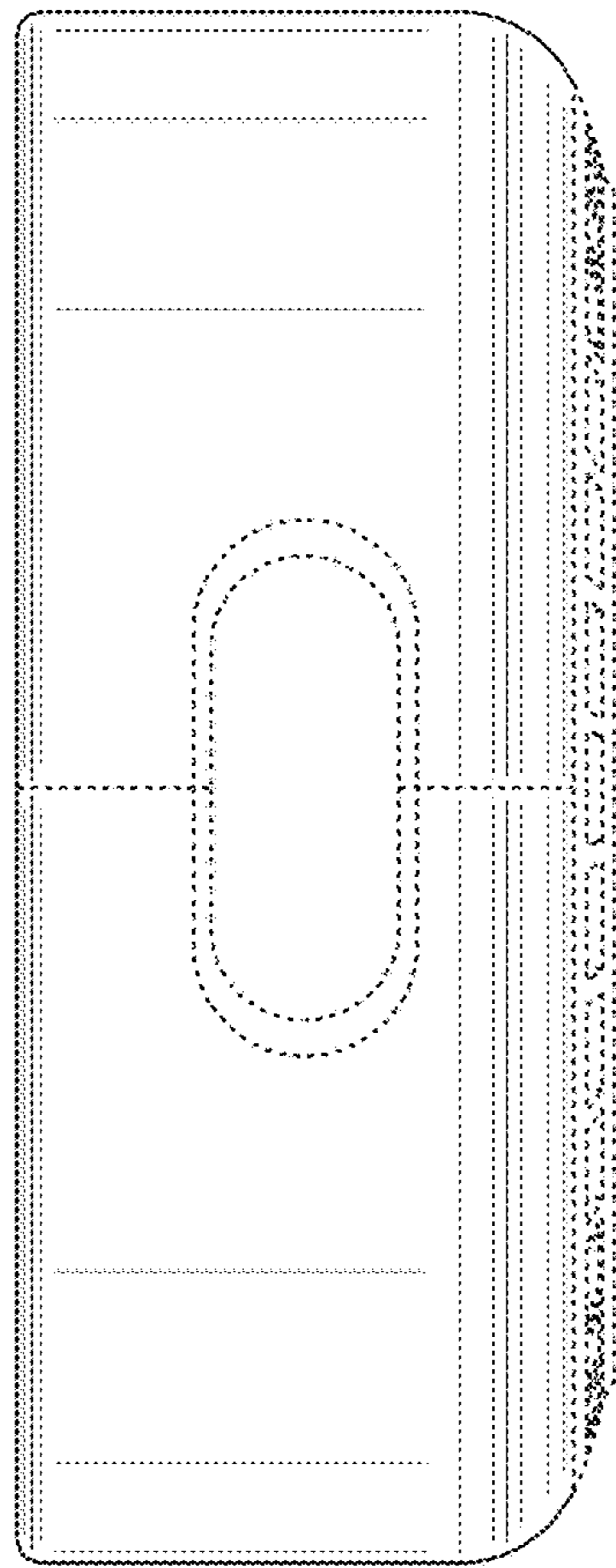


FIG. 5

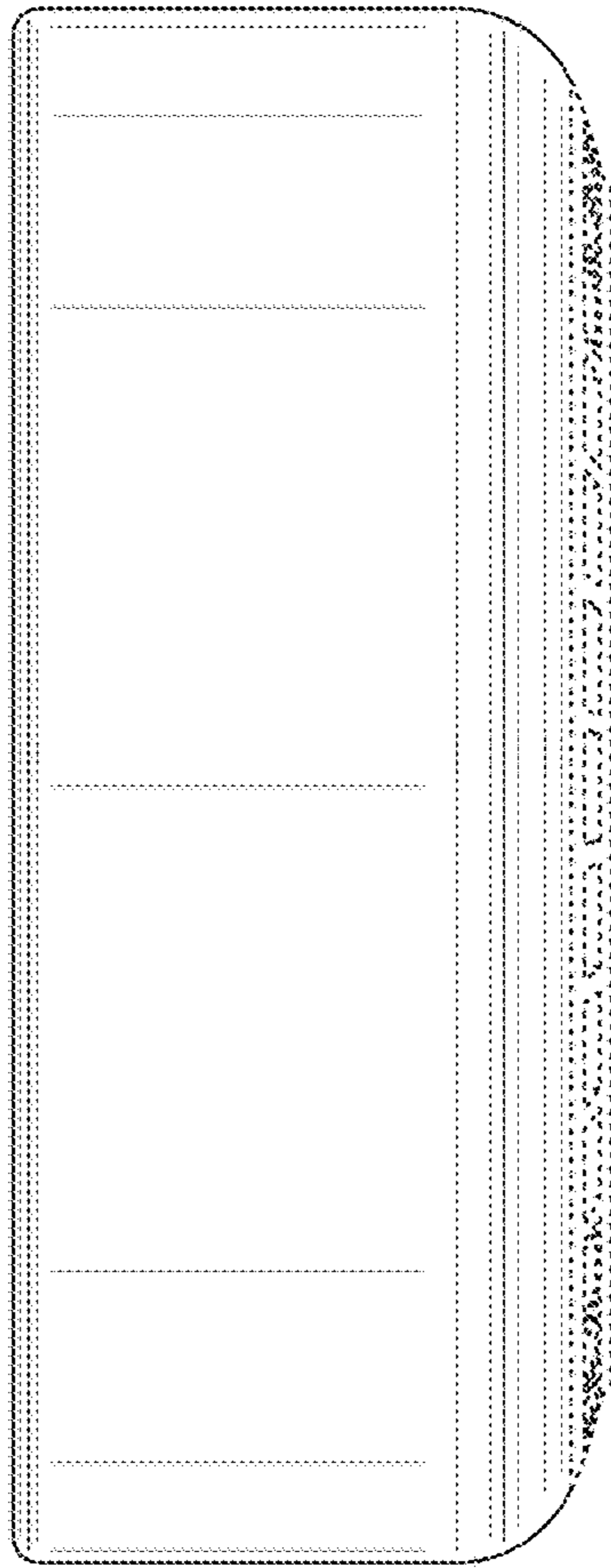


FIG. 6

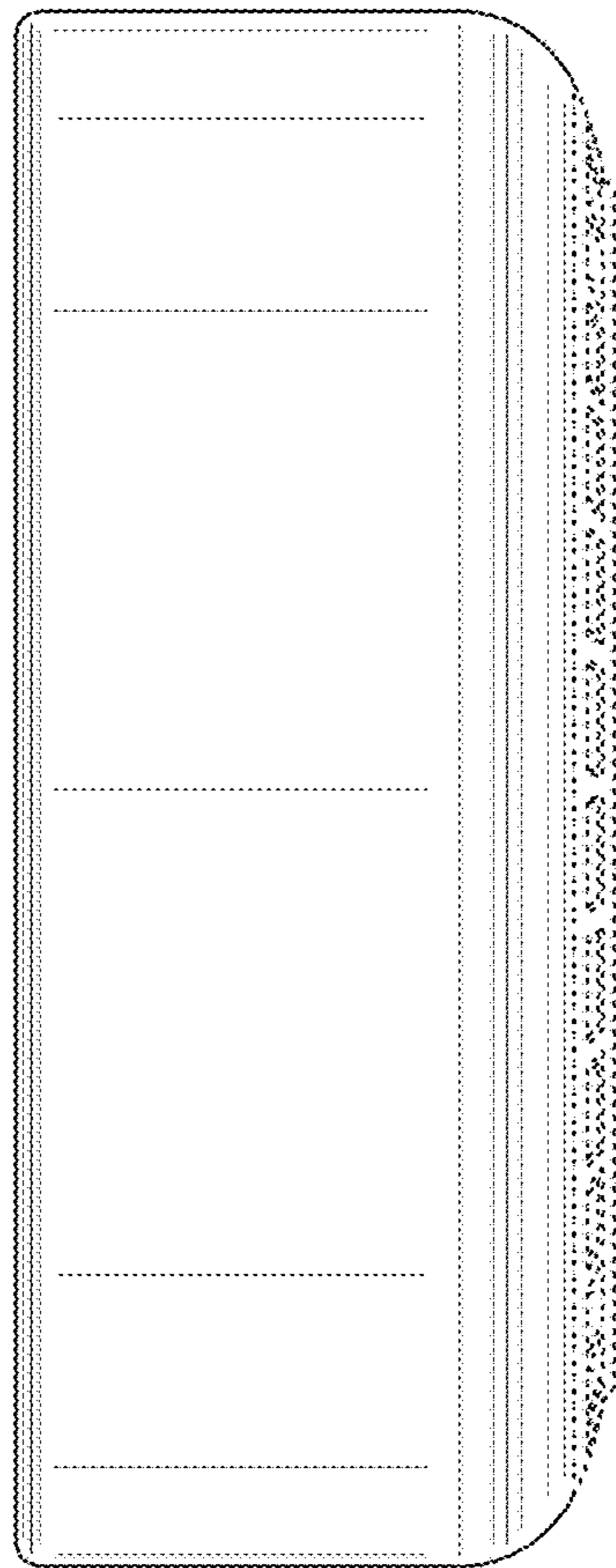


FIG. 7

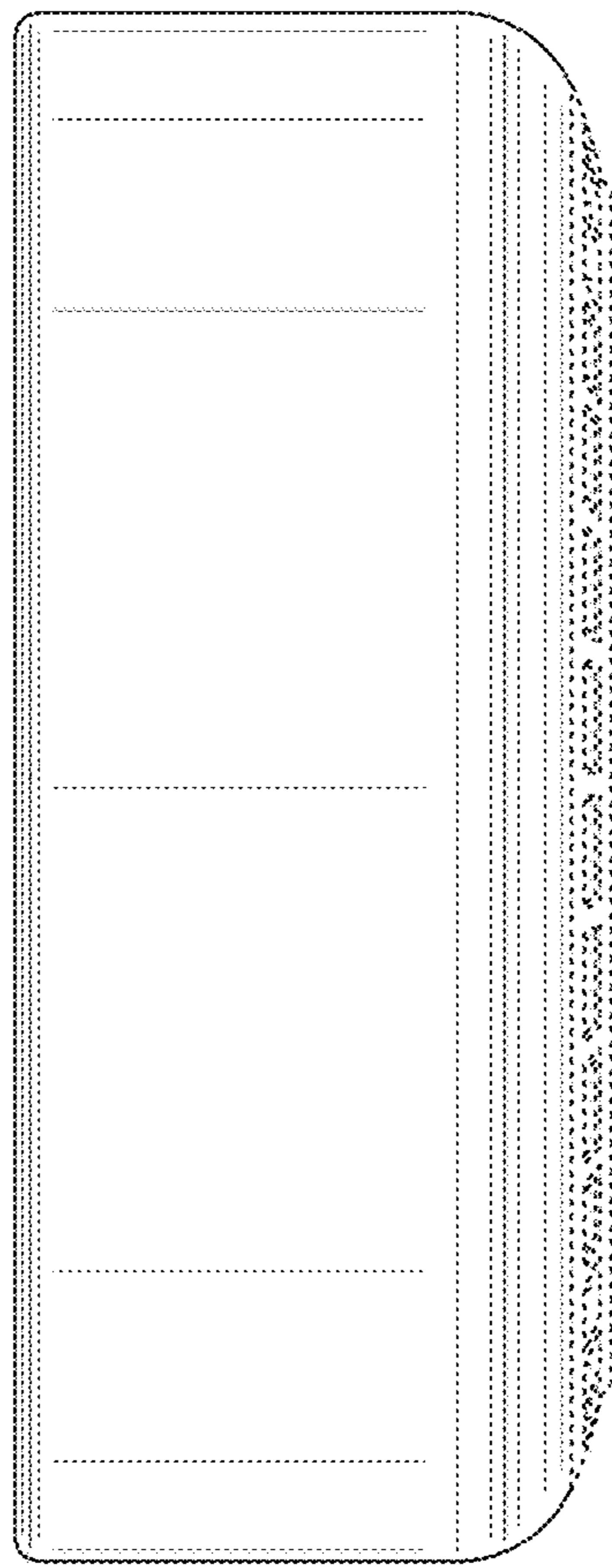


FIG. 8

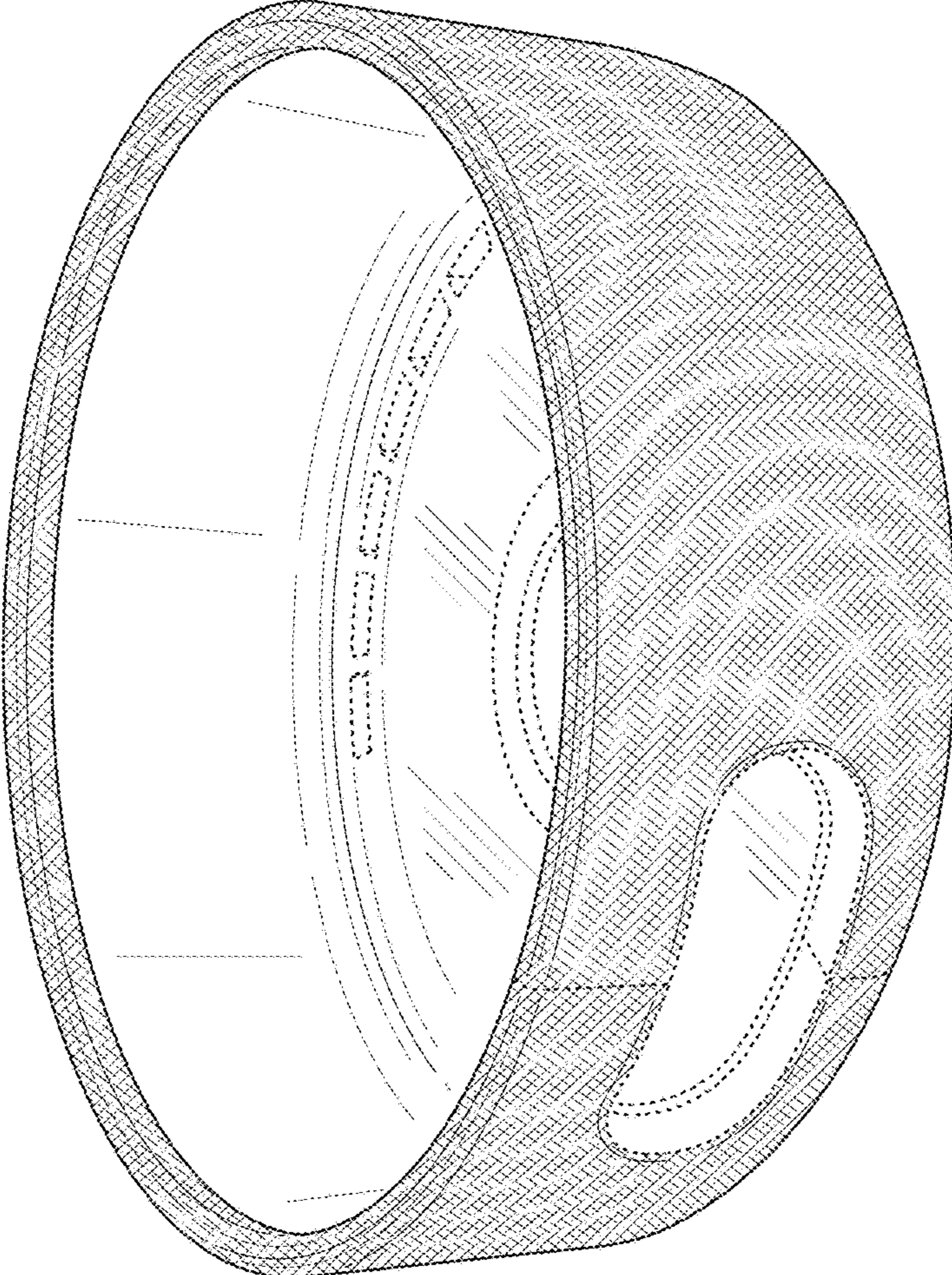


FIG. 9

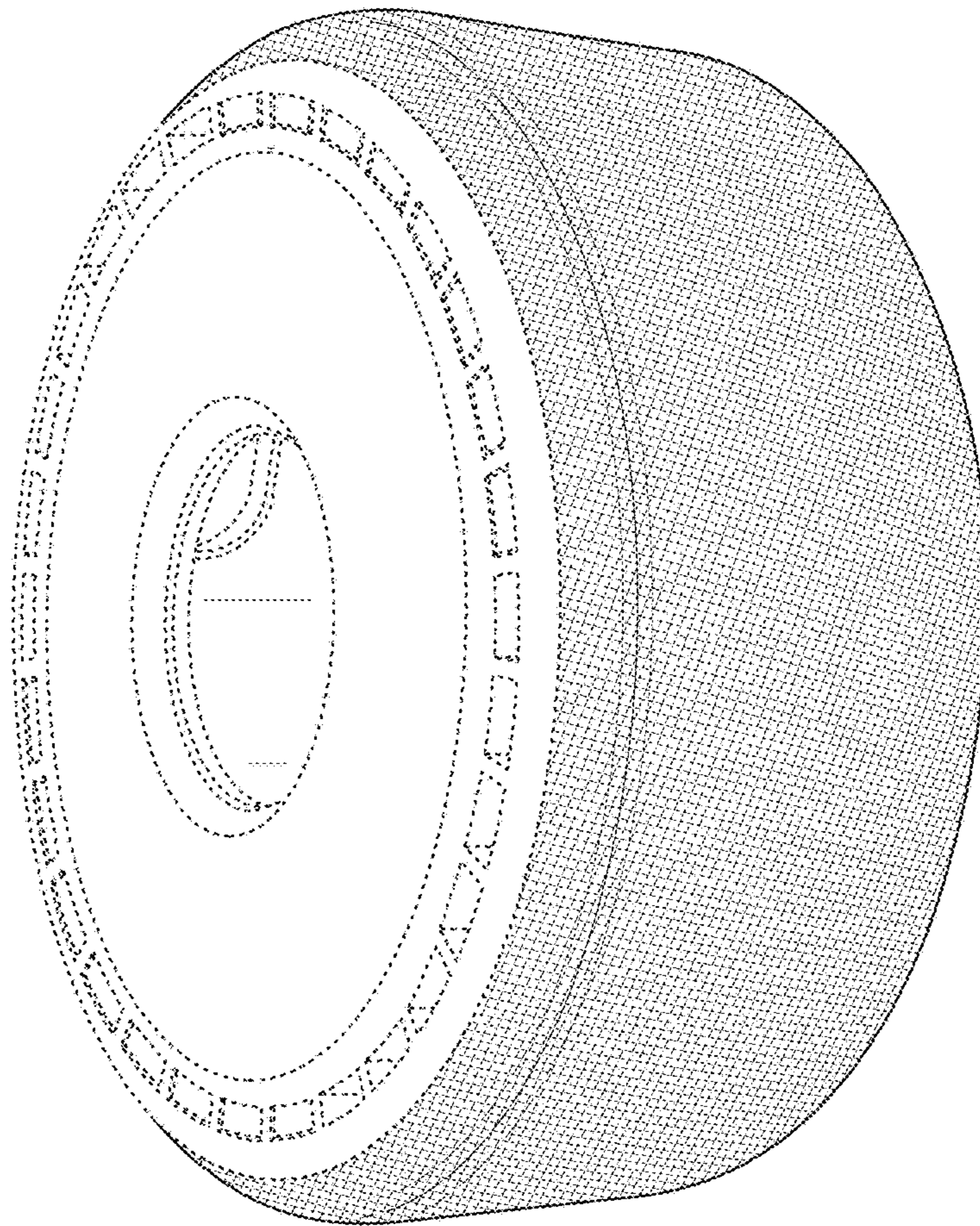


FIG. 10

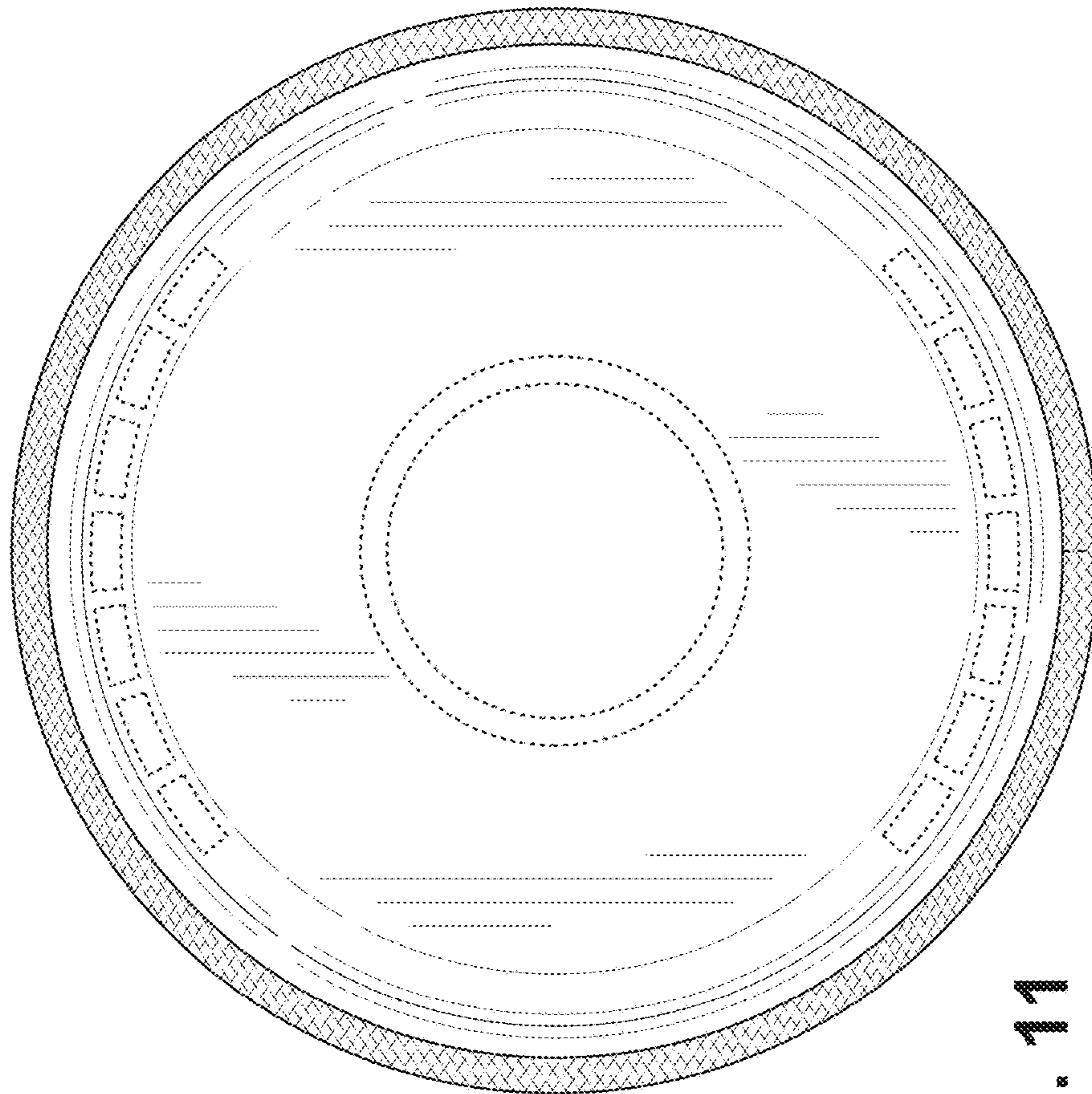


FIG. 11

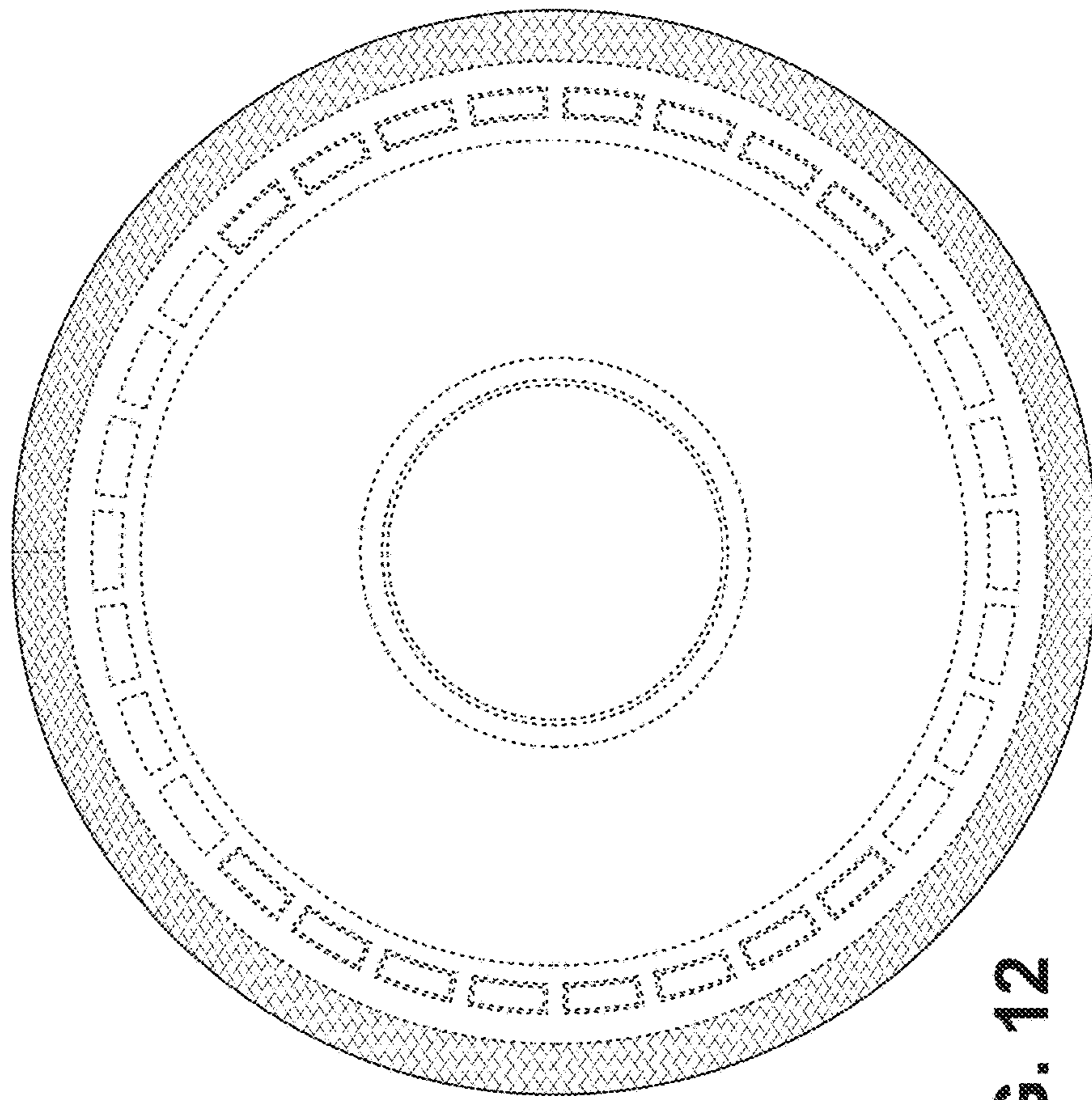


FIG. 12

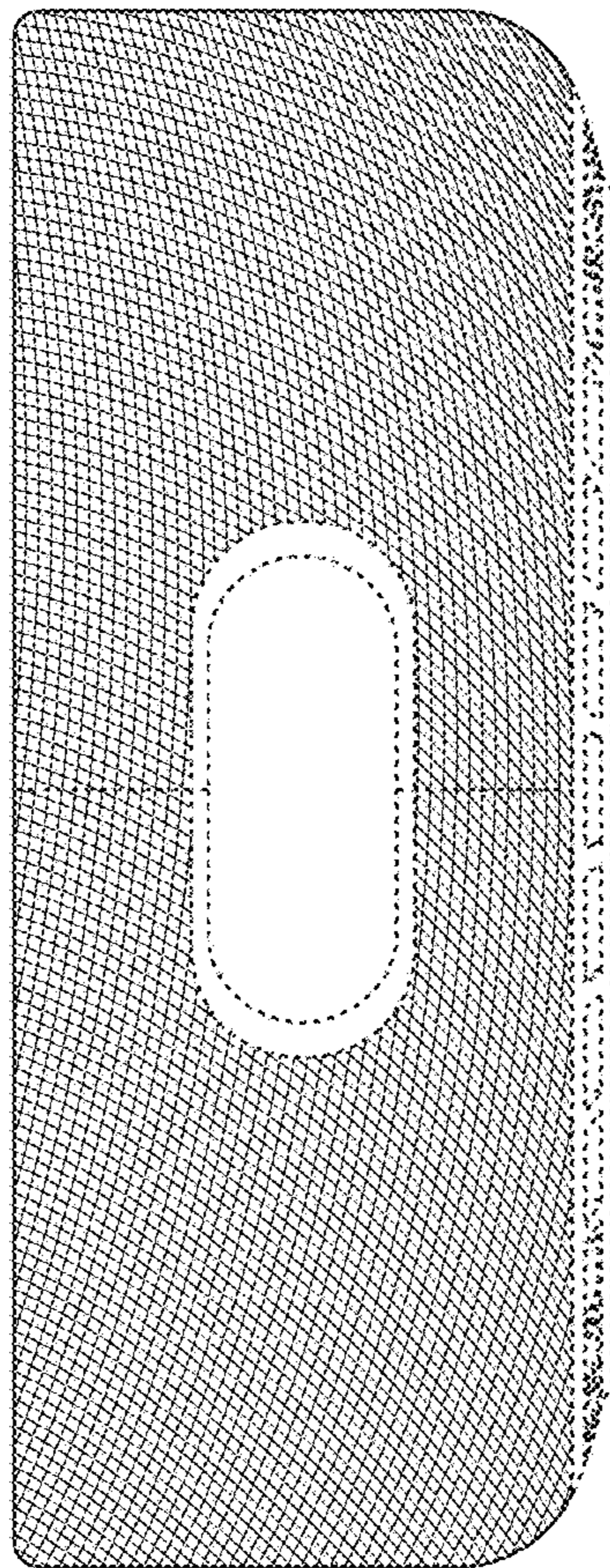


FIG. 13

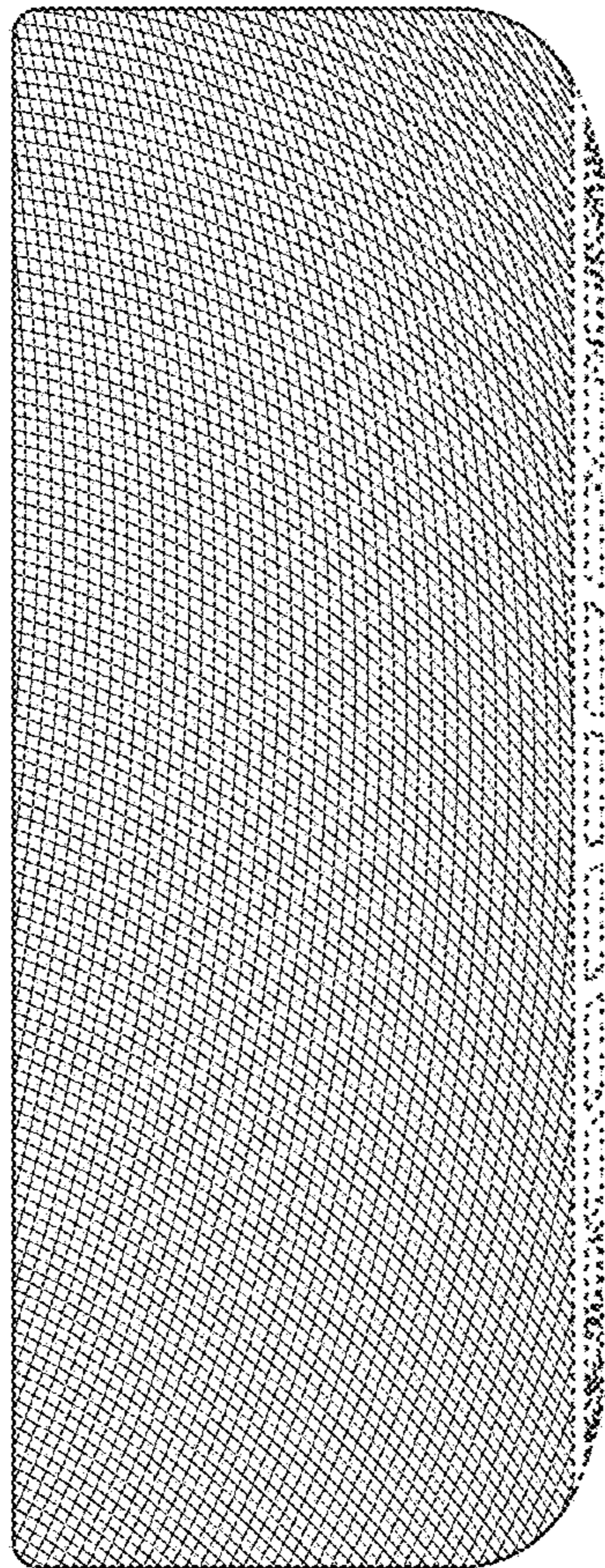


FIG. 14

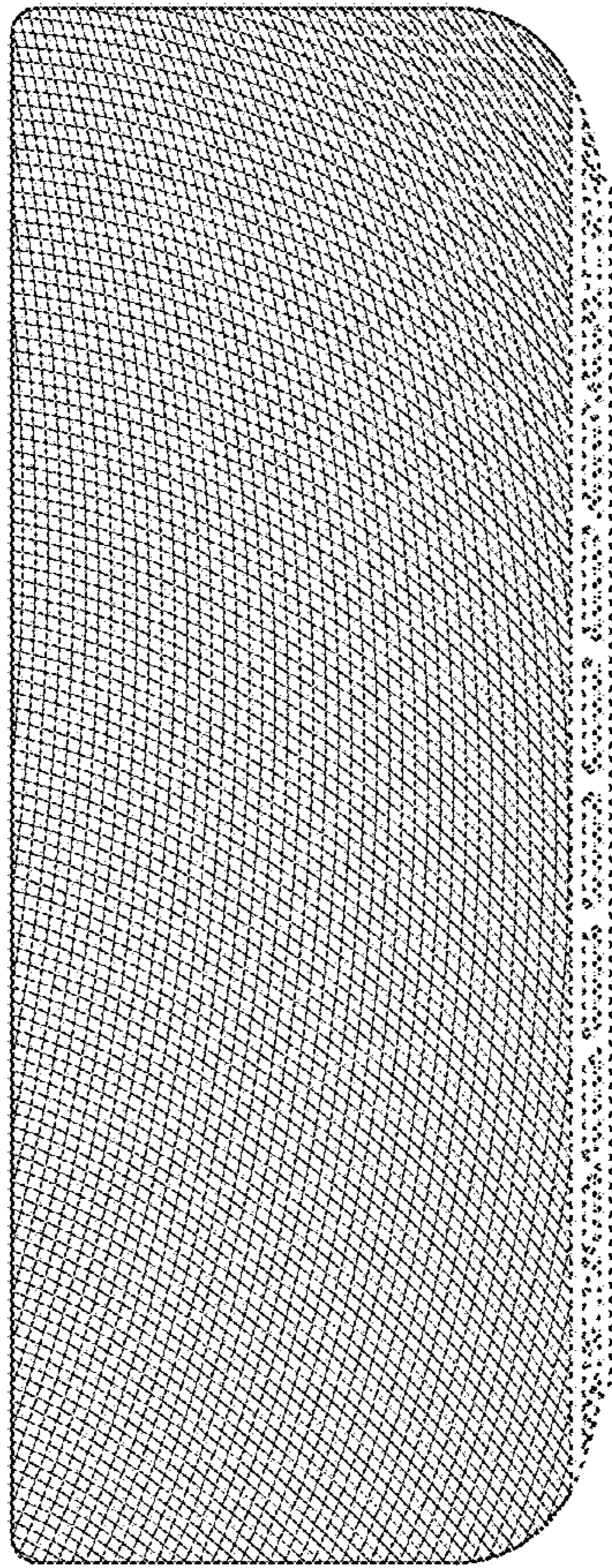


FIG. 15

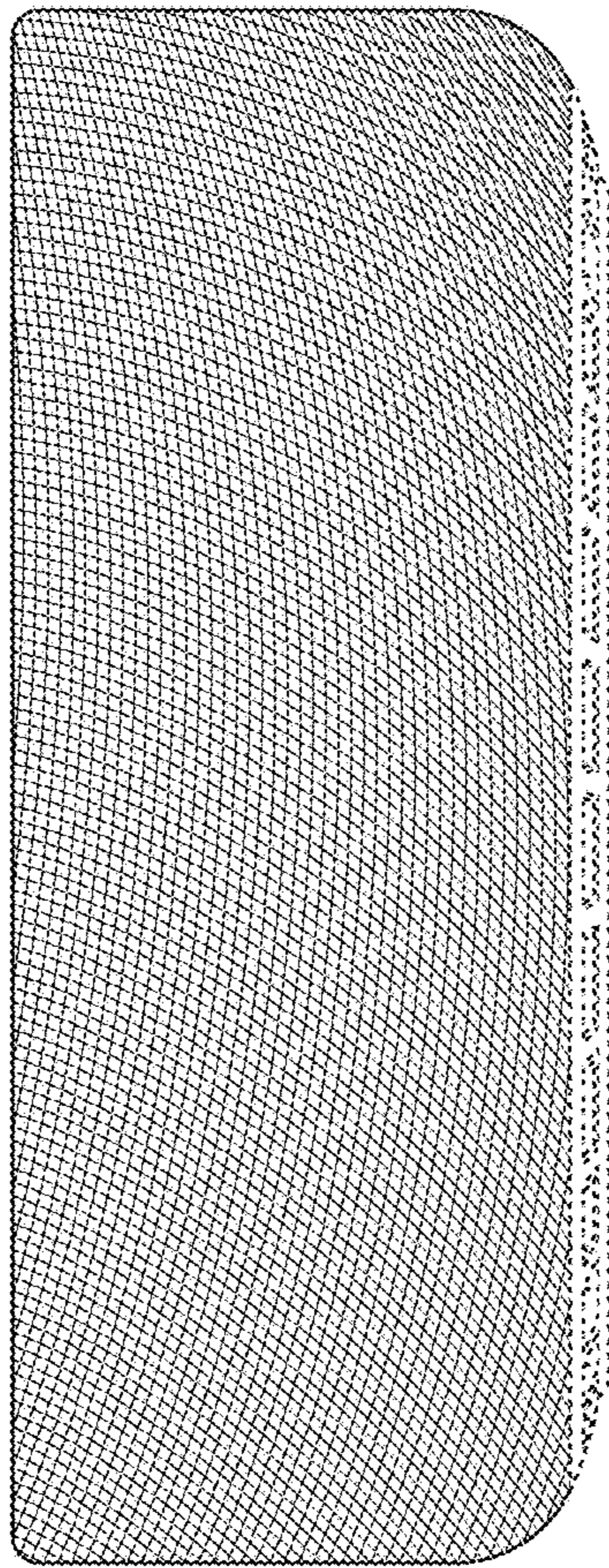


FIG. 16