



US00D841628S

(12) **United States Design Patent** (10) **Patent No.:** **US D841,628 S**
Sakamoto et al. (45) **Date of Patent:** **** Feb. 26, 2019**

(54) **MICROPHONE WITH CONNECTOR**

(71) Applicant: **Panasonic Intellectual Property Management Co., Ltd.**, Osaka-shi, Osaka (JP)

(72) Inventors: **Koichi Sakamoto**, Osaka (JP); **Fumiyasu Konno**, Osaka (JP); **Misao Kanba**, Osaka (JP); **Satoshi Kosugi**, Osaka (JP); **Masaharu Takahashi**, Osaka (JP); **Sinnosuke Nagasawa**, Osaka (JP)

(73) Assignee: **PANASONIC INTELLECTUAL PROPERTY MANAGEMENT CO., LTD.**, Osaka-Shi, Osaka (JP)

(**) Term: **15 Years**

(21) Appl. No.: **29/630,997**

(22) Filed: **Dec. 26, 2017**

(51) **LOC (11) Cl.** **14-01**

(52) **U.S. Cl.**
USPC **D14/225**; D13/133

(58) **Field of Classification Search**
USPC D14/224–229; D16/230, 235, 244; D17/99; D6/681; 248/125.1, 166, 185.1; 381/355, 359, 361–363, 365, 366, 369, 381/375; 379/428.01, 428.04, 431, 379/433.03; D10/104.1; D13/133, 146, D13/147
CPC . H04R 25/00; H04R 1/02; H04R 5/02; H04R 9/08; F16M 11/38; F16M 13/00; F16M 11/00

See application file for complete search history.

(56) **References Cited**

U.S. PATENT DOCUMENTS

D316,077 S 4/1991 Takenouchi et al.
D317,899 S 7/1991 Takenouchi et al.

D322,062 S 12/1991 Takenouchi et al.
D490,234 S 5/2004 Masaki
D498,491 S * 11/2004 Ohki D16/230
D538,744 S 3/2007 Hamada et al.
D565,631 S * 4/2008 Morishita D16/230
D594,498 S * 6/2009 Nagase D16/230
D597,120 S * 7/2009 Oota D16/230
D605,683 S * 12/2009 Inoue D16/230
D652,856 S * 1/2012 Ogawa D16/225
D677,304 S * 3/2013 Inoue D16/230
D677,305 S * 3/2013 Inoue D16/230
D730,427 S * 5/2015 Ohashi D16/235
D761,552 S * 7/2016 Kalbach D3/218
D820,214 S * 6/2018 Asano D13/147
D820,789 S * 6/2018 Asano D13/146
2011/0181847 A1 * 7/2011 Yamamoto G03B 21/145 353/119

* cited by examiner

Primary Examiner — Katie Jane Stofko

(74) *Attorney, Agent, or Firm* — Brinks Gilson & Lione

(57) **CLAIM**

We claim the ornamental design for a microphone with connector, as shown and described.

DESCRIPTION

FIG. 1 is a front perspective view of a microphone with connector of the present invention; FIG. 2 is a front view thereof; FIG. 3 is a rear view thereof; FIG. 4 is a left side view thereof; FIG. 5 is a right side view thereof; FIG. 6 is a top view thereof; and, FIG. 7 is a bottom view thereof.

The broken lines show parts of the microphone with connector that represent unclaimed subject matter and form no part of the claimed design. Additionally, the dot-dash lines shown in the drawings define the limits of the claimed design.

1 Claim, 7 Drawing Sheets

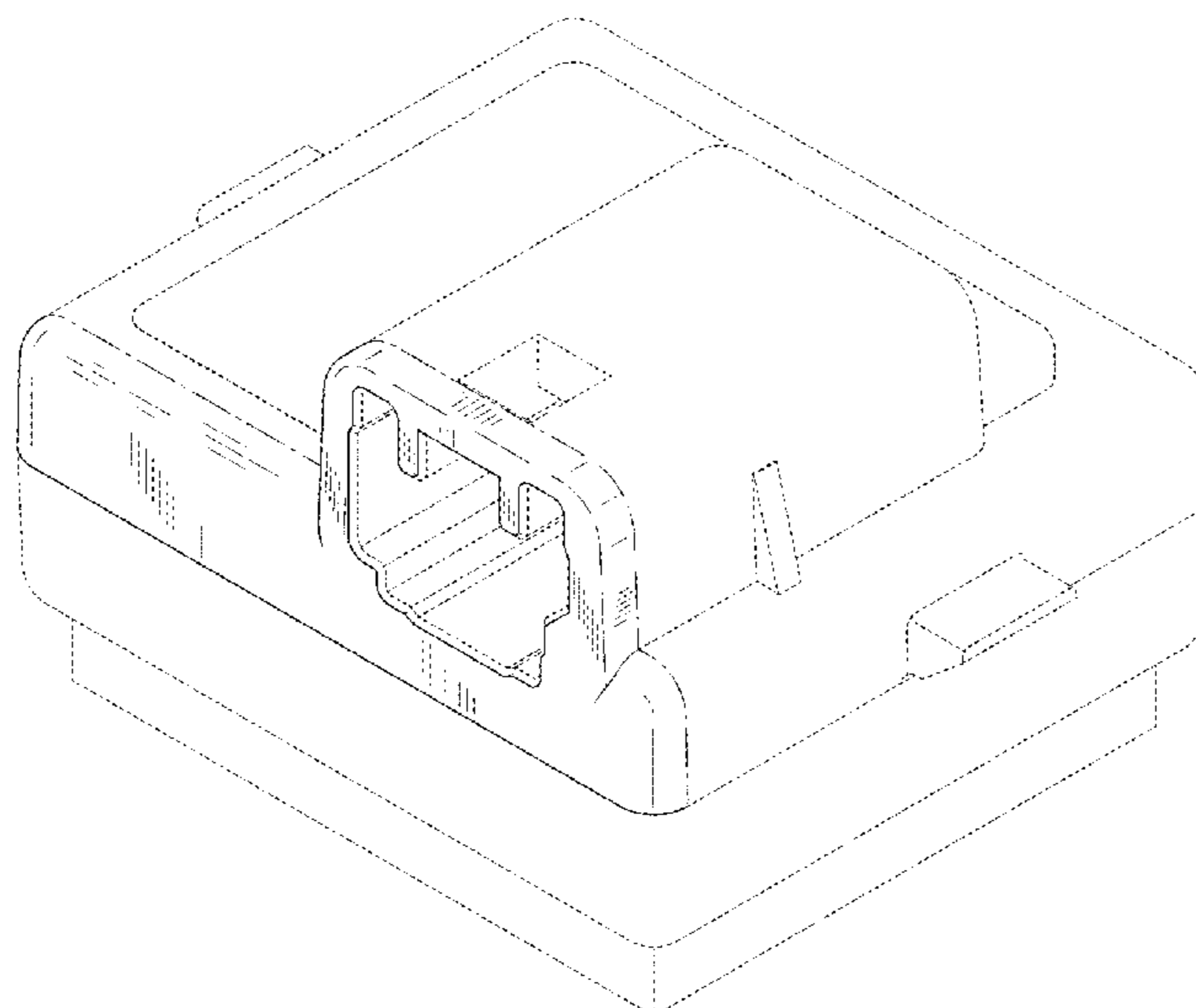


FIG. 1

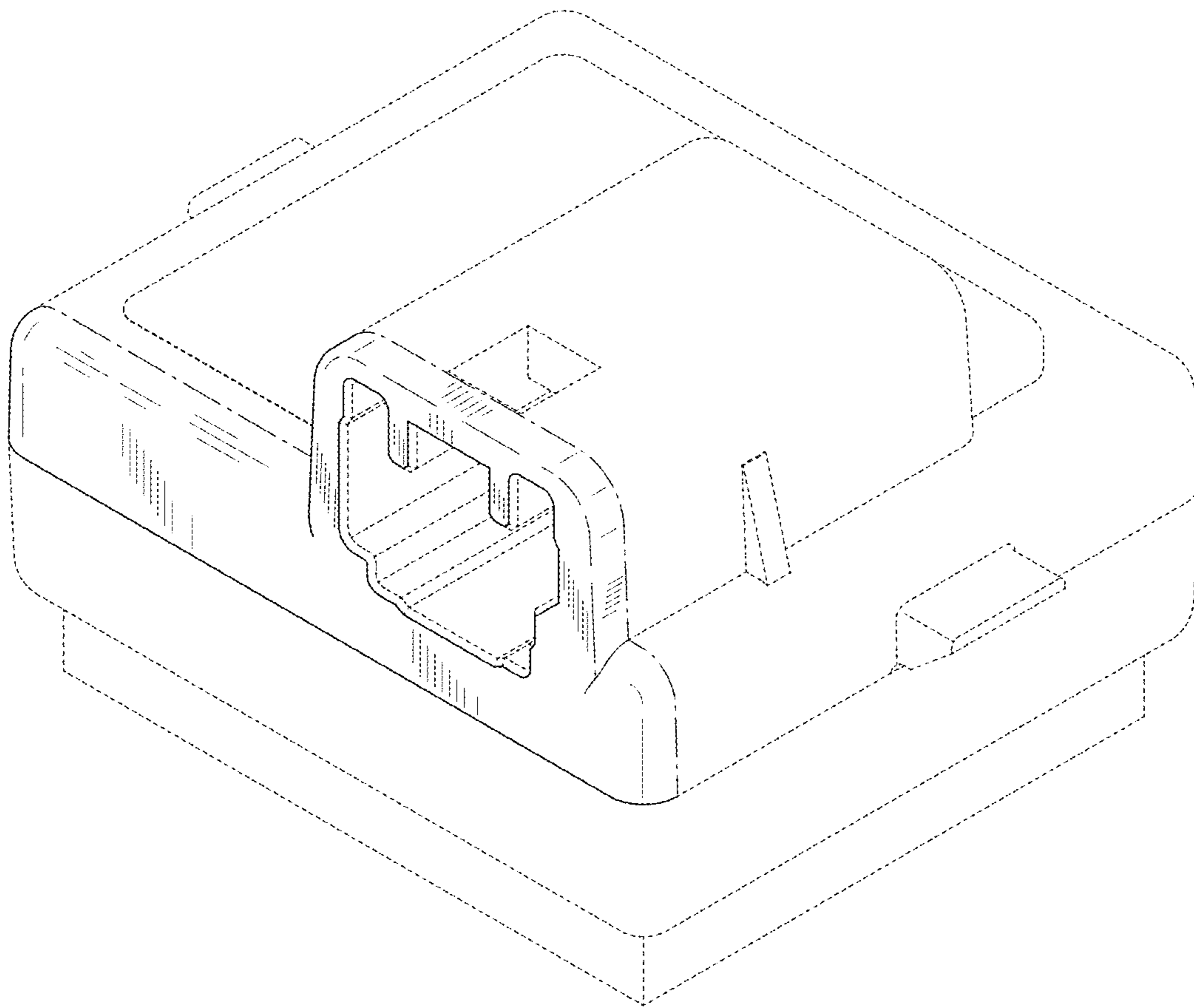


FIG. 2

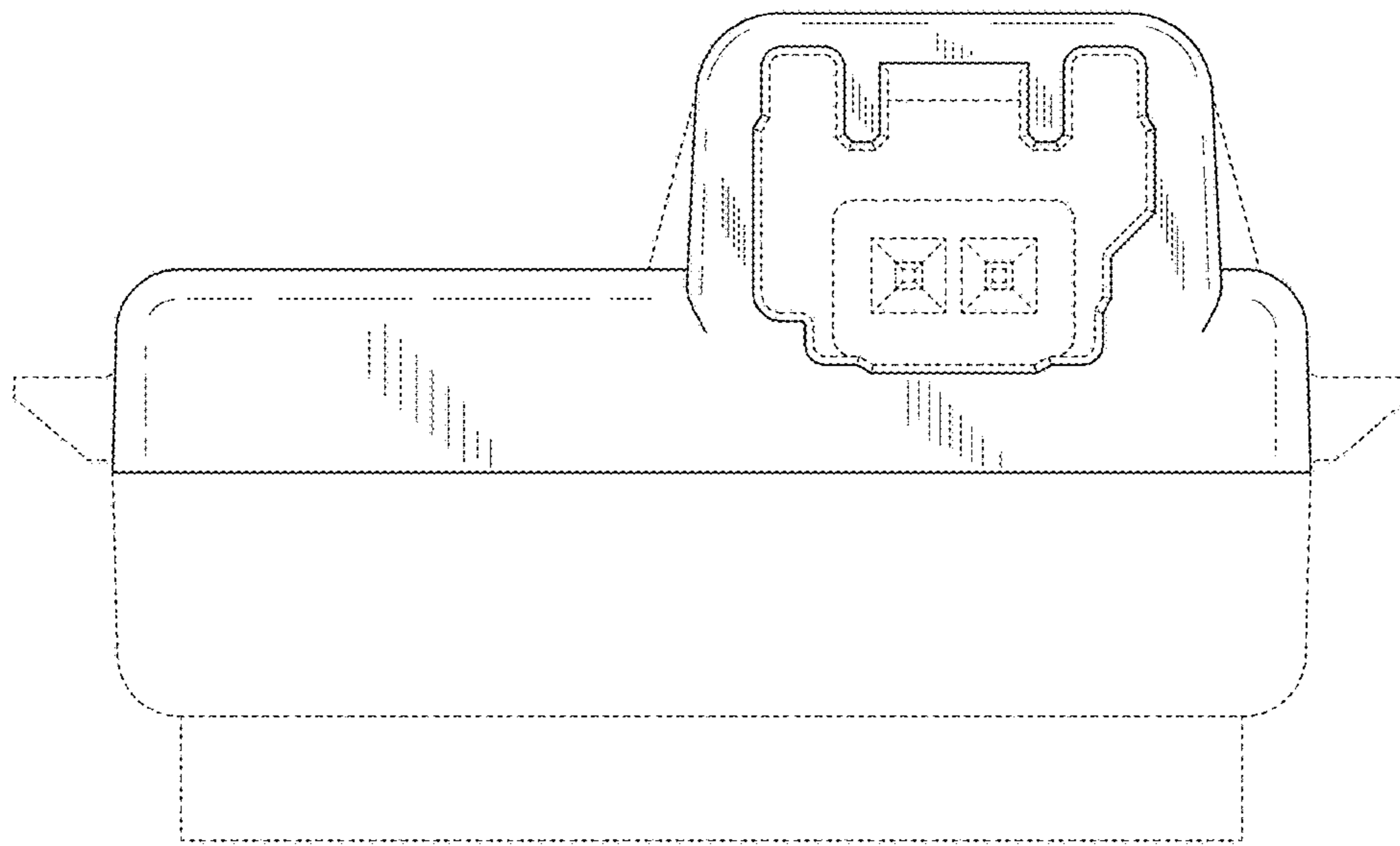


FIG. 3

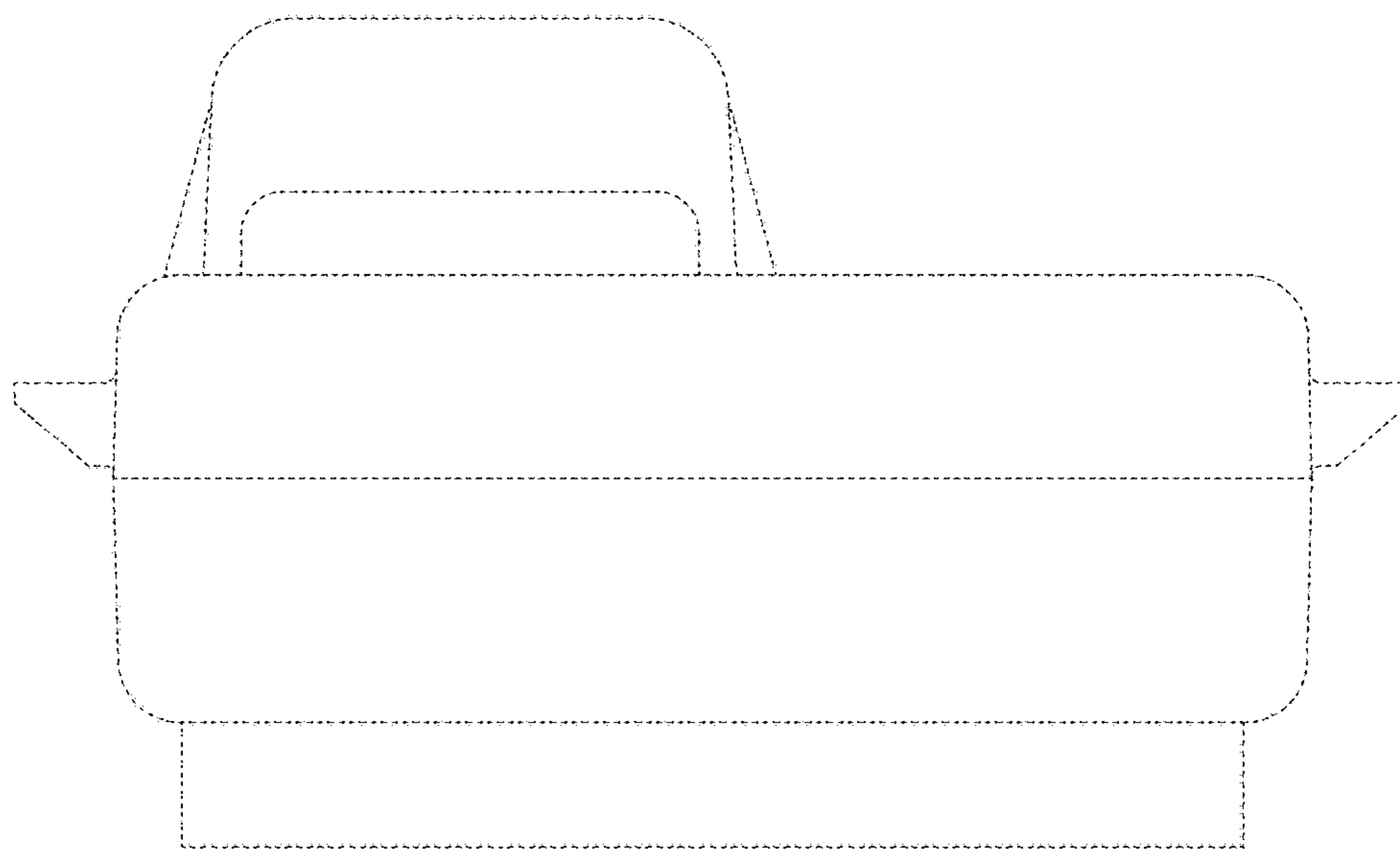


FIG. 4

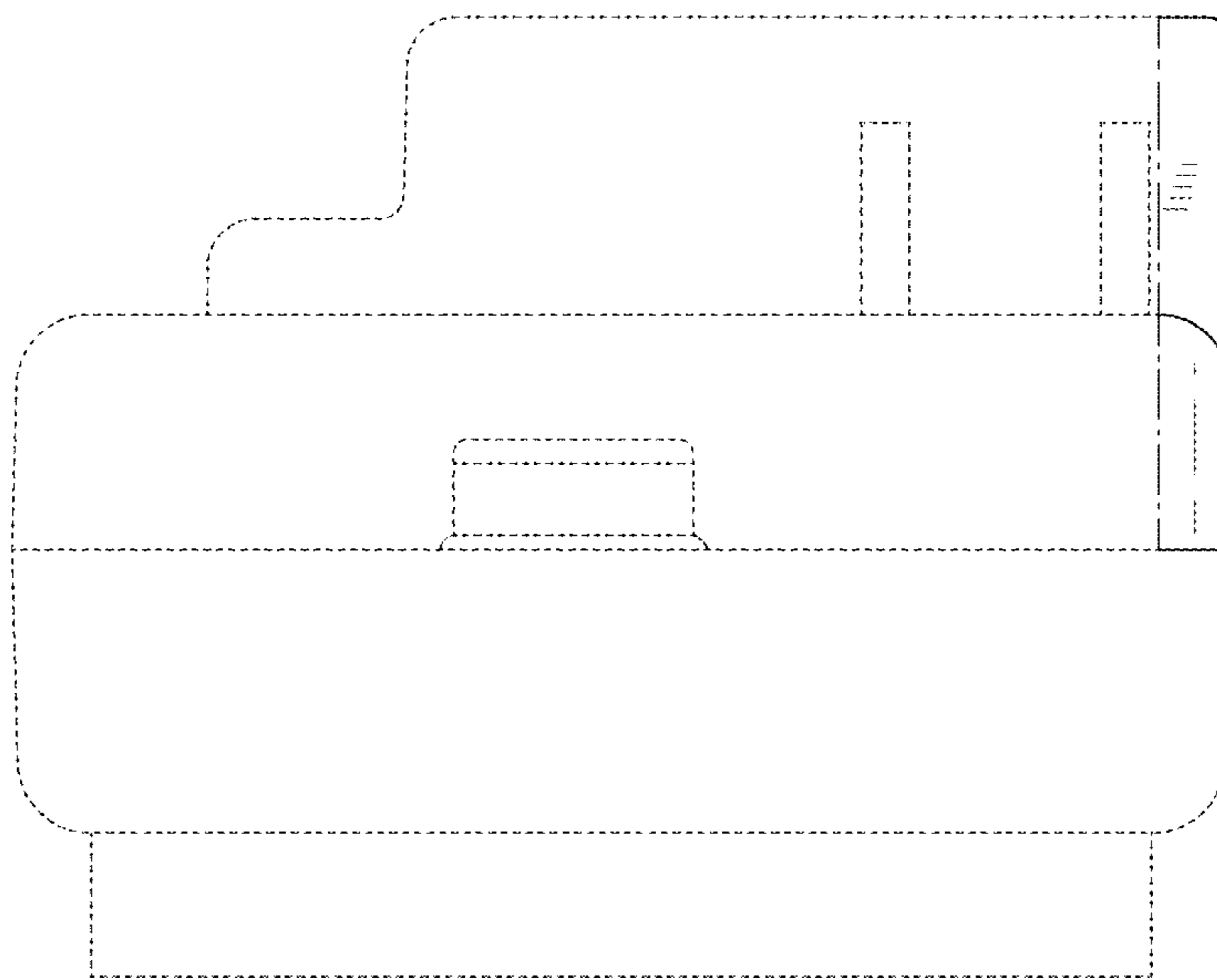


FIG. 5

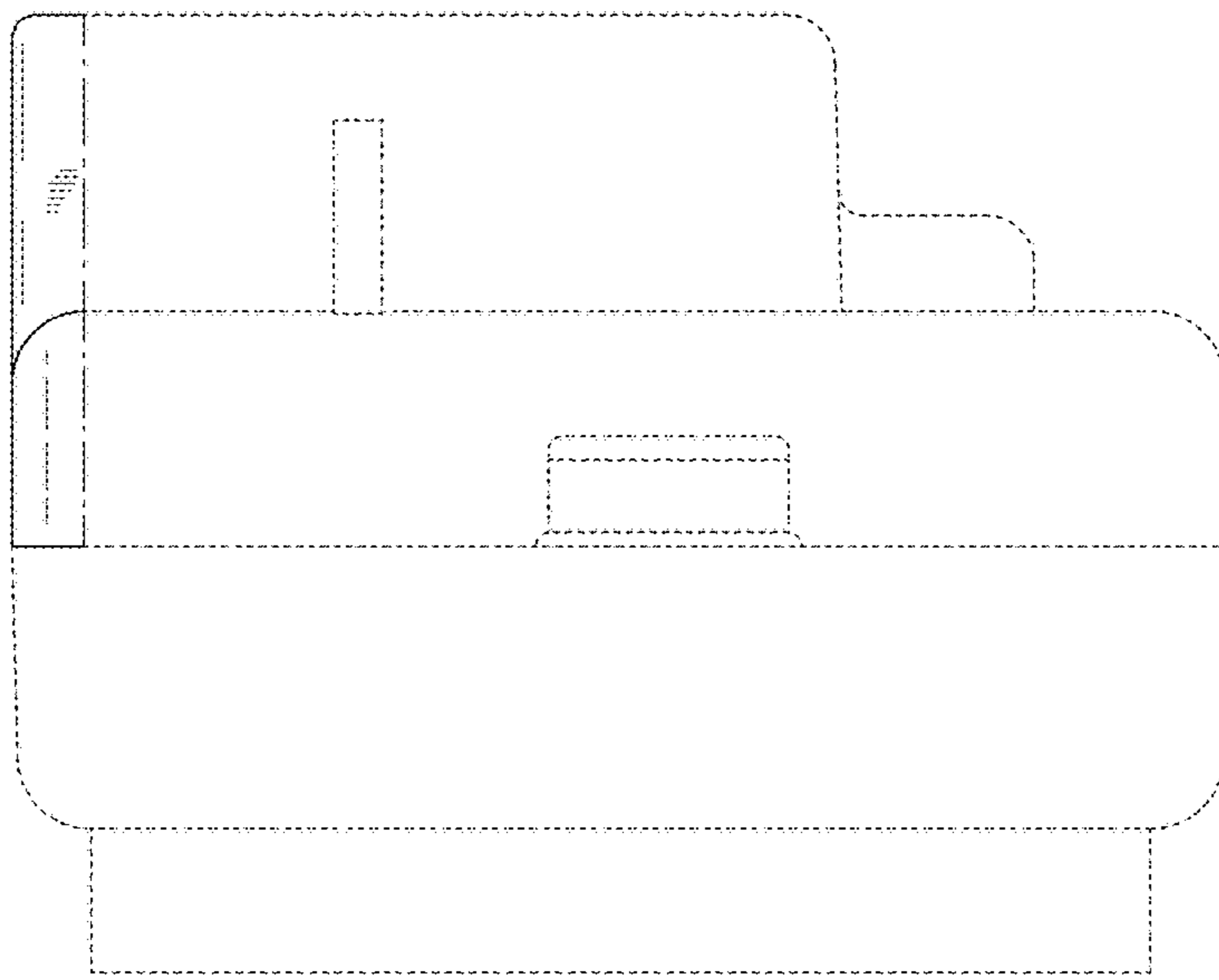


FIG. 6

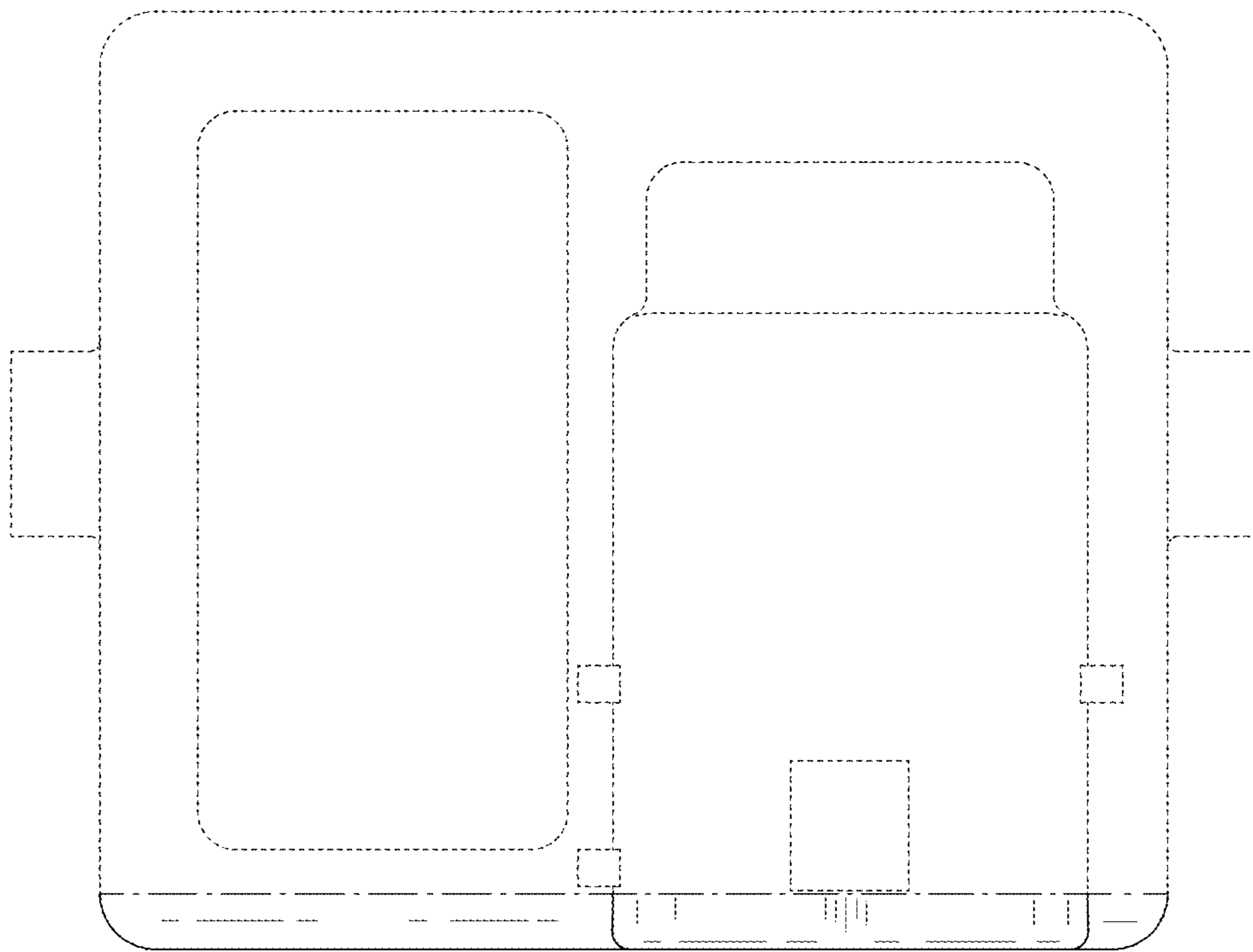


FIG. 7

