

US00D841627S

(12) **United States Design Patent**
Wen

(10) **Patent No.:** **US D841,627 S**

(45) **Date of Patent:** **** Feb. 26, 2019**

(54) **EARPHONE**

(71) Applicant: **Shenzhen Light Speed Technology Co., Ltd.**, Guangdong (CN)

(72) Inventor: **JuFei Wen**, Guangdong (CN)

(**) Term: **15 Years**

(21) Appl. No.: **29/623,216**

(22) Filed: **Oct. 24, 2017**

(51) **LOC (11) Cl.** **14-01**

(52) **U.S. Cl.**
USPC **D14/223**

(58) **Field of Classification Search**
USPC D14/223, 205, 188, 192; D24/174;
128/864, 865, 866; 181/129, 130, 135;
379/430, 431; 381/380, 381, 374, 74;
455/90.3, 575.1, 569.1
CPC H04R 1/10; H04R 1/1066; H04R 1/1016;
H04R 5/033; H04R 5/0335; H04R 25/00;
H04R 25/02; A61F 11/08
See application file for complete search history.

4,375,016 A * 2/1983 Harada H04R 25/656
181/135
D338,530 S * 8/1993 Oberlander D24/174
D367,113 S * 2/1996 Weeks D24/174
5,654,530 A * 8/1997 Sauer H04R 25/652
181/130
D469,411 S * 1/2003 Decosse D13/171
6,836,676 B2 * 12/2004 Lloyd H04M 1/6041
379/420.01
D519,108 S * 4/2006 Yang D14/223
D519,985 S * 5/2006 Wikel D14/205
D543,972 S * 6/2007 Taylor D14/223
D574,814 S * 8/2008 Hammond D14/205
D595,268 S * 6/2009 Kolton D14/205
D603,380 S * 11/2009 Hutchieson D14/223
D628,565 S * 12/2010 Wu D14/223
D631,470 S * 1/2011 Yoneyama D14/223
D632,677 S * 2/2011 Brown D14/223
D643,833 S * 8/2011 Lee D14/223
D660,292 S * 5/2012 Rautiainen D14/223
D666,581 S * 9/2012 Perez D14/223
D673,532 S * 1/2013 Lee D14/223

(Continued)

Primary Examiner — Paula Allen Greene
(74) *Attorney, Agent, or Firm* — Prakash Nama; Global IP Services, PLLC

(56) **References Cited**

U.S. PATENT DOCUMENTS

2,430,229 A * 11/1947 Kelsey H04R 1/1058
181/130
3,061,689 A * 10/1962 McCarrell H04R 25/45
381/328
3,209,082 A * 9/1965 McCarrell H04R 25/02
381/328
3,234,467 A * 2/1966 Haveson H01Q 1/24
334/76
3,270,146 A * 8/1966 Eberhard H04R 25/60
338/308
3,440,365 A * 4/1969 Hazell H04M 1/05
379/430
4,069,400 A * 1/1978 Johanson H04R 25/60
381/322

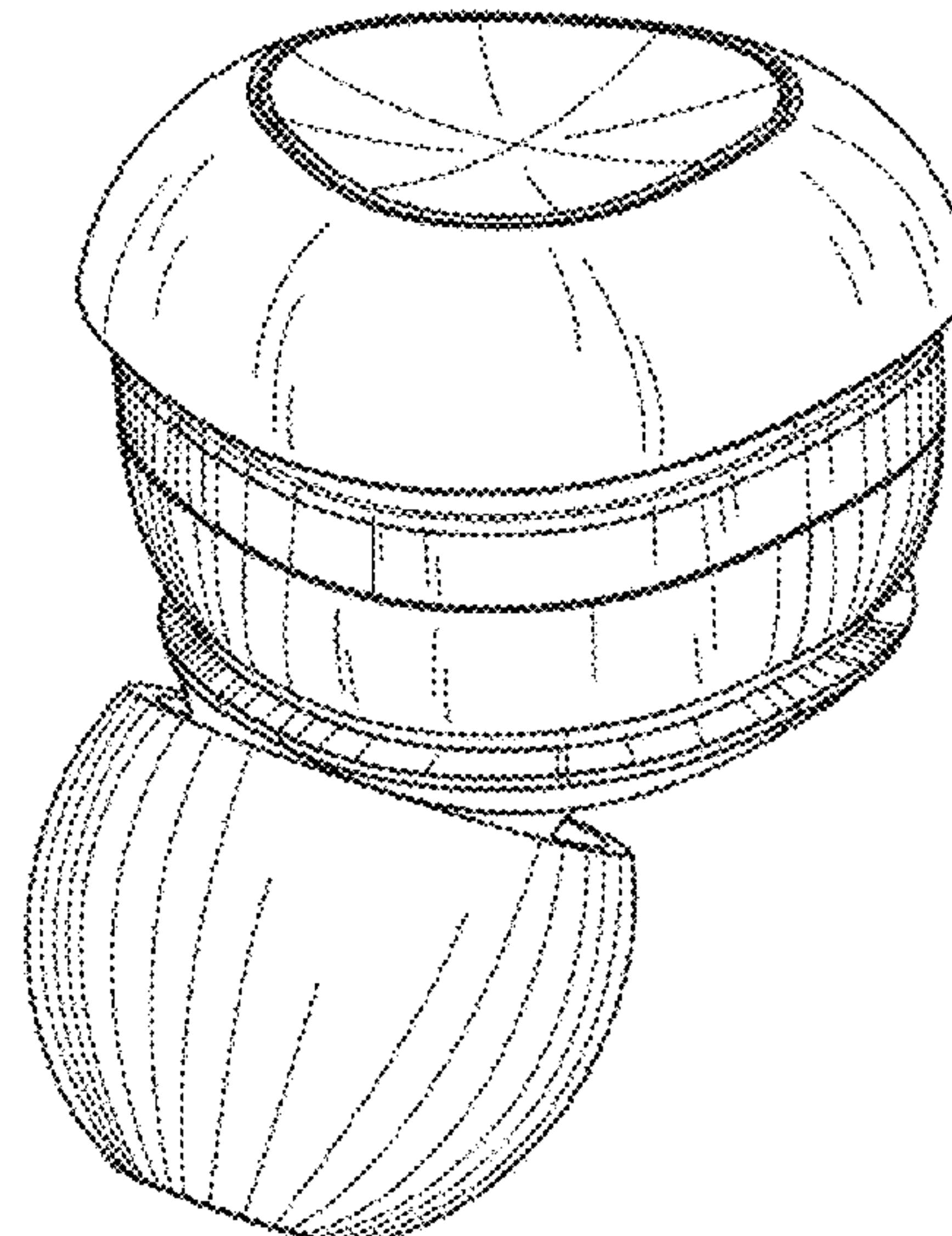
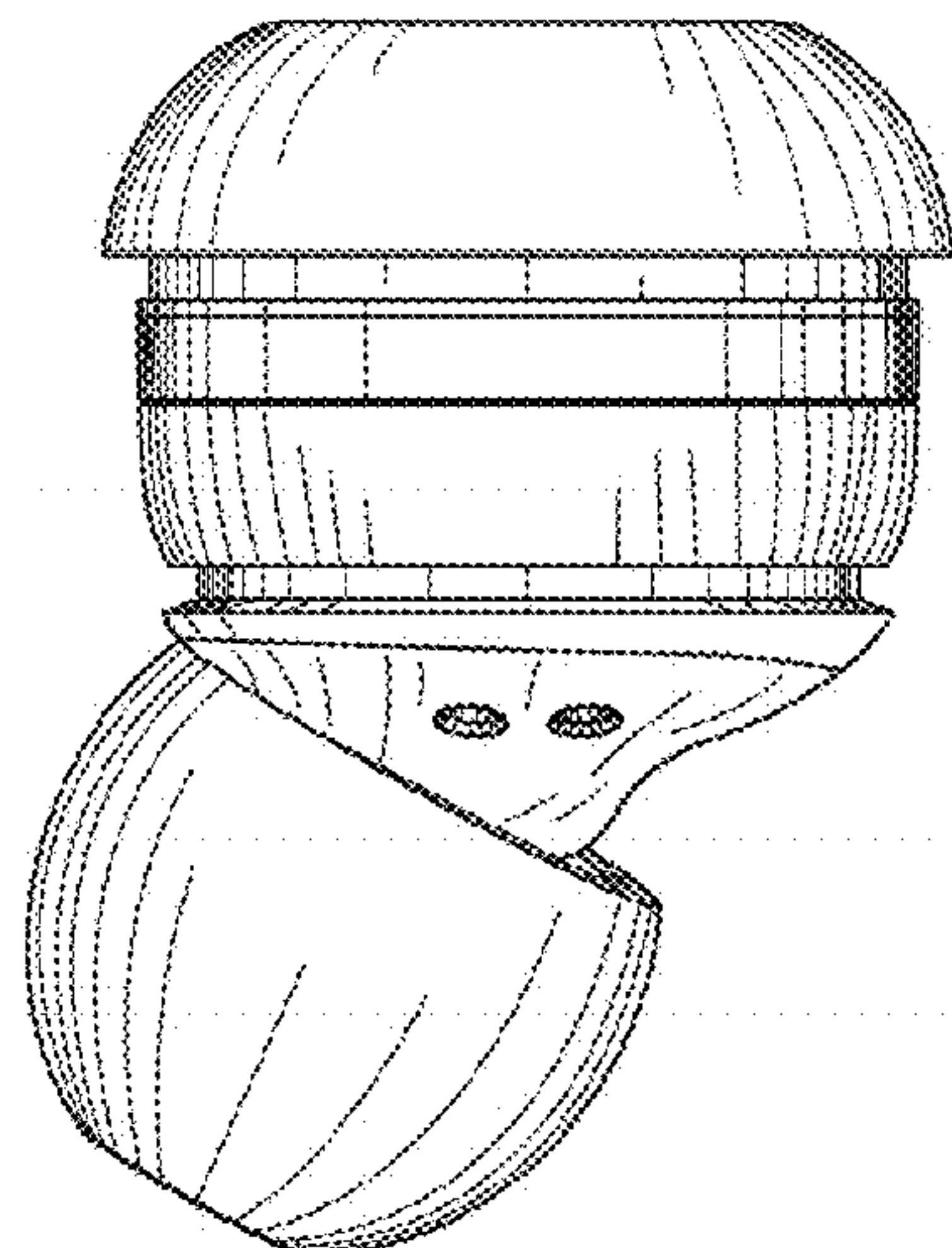
(57) **CLAIM**

The ornamental design for an earphone, as shown.

DESCRIPTION

FIG. 1 is a front elevational view of an earphone showing my new design;
FIG. 2 is a rear elevational view thereof;
FIG. 3 is a left side view thereof;
FIG. 4 is a right side view thereof;
FIG. 5 is a top plan view thereof;
FIG. 6 is a bottom plan view thereof; and,
FIG. 7 is a perspective view thereof.

1 Claim, 4 Drawing Sheets



(56)

References Cited

U.S. PATENT DOCUMENTS

D674,490 S * 1/2013 Bailey D24/174
D676,026 S * 2/2013 Lee D14/223
8,406,448 B2 * 3/2013 Lin H04R 1/1091
381/332
D685,770 S * 7/2013 Lee D14/223
D705,758 S * 5/2014 Drambarean H04R 25/00
D14/223
8,776,801 B2 * 7/2014 McIntosh A61F 11/08
128/864
D711,356 S * 8/2014 Yang D14/223
D711,858 S * 8/2014 Yang D14/223
8,983,108 B2 * 3/2015 Ho H04R 1/1016
181/135
D735,169 S * 7/2015 Shieh D14/223
D737,251 S * 8/2015 Thompson D14/223
D742,861 S * 11/2015 Miyake D14/223
D743,949 S * 11/2015 Miyake D14/223
D764,445 S * 8/2016 Czaniecki D14/223
D777,710 S * 1/2017 Palmborg D14/223
D798,843 S * 10/2017 Valenzuela D14/223
D806,879 S * 1/2018 Horbinski D24/174
D810,054 S * 2/2018 Yuan D14/223
D813,205 S * 3/2018 Palmborg D14/223
D813,848 S * 3/2018 Palmborg D14/223
D817,309 S * 5/2018 Czaniecki D14/223
2011/0155147 A1 * 6/2011 McIntosh A61F 11/08
128/864
2012/0087532 A1 * 4/2012 Yang H04R 1/10
381/380
2018/0035193 A1 * 2/2018 Tsubone H04R 1/1016

* cited by examiner

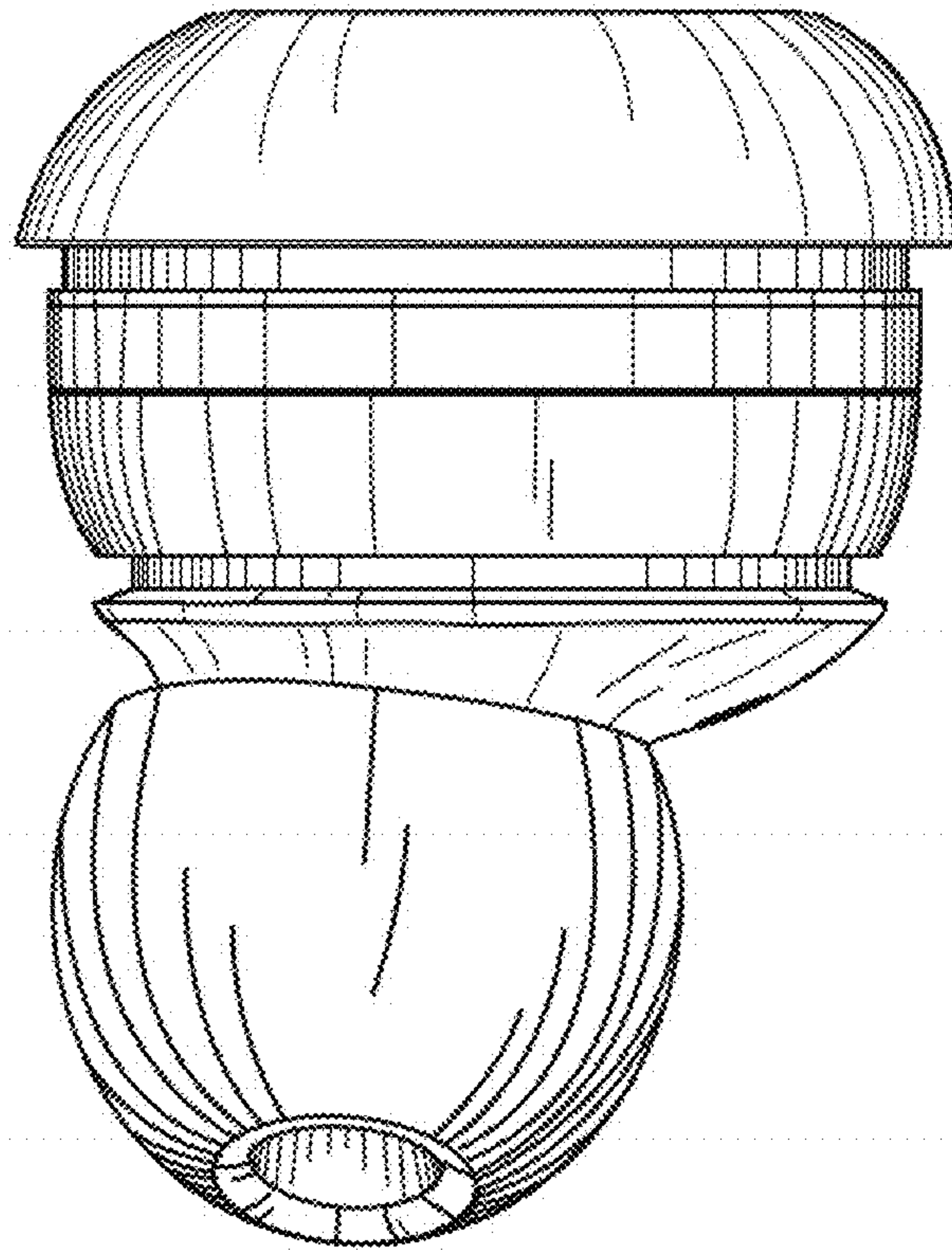


FIG. 1

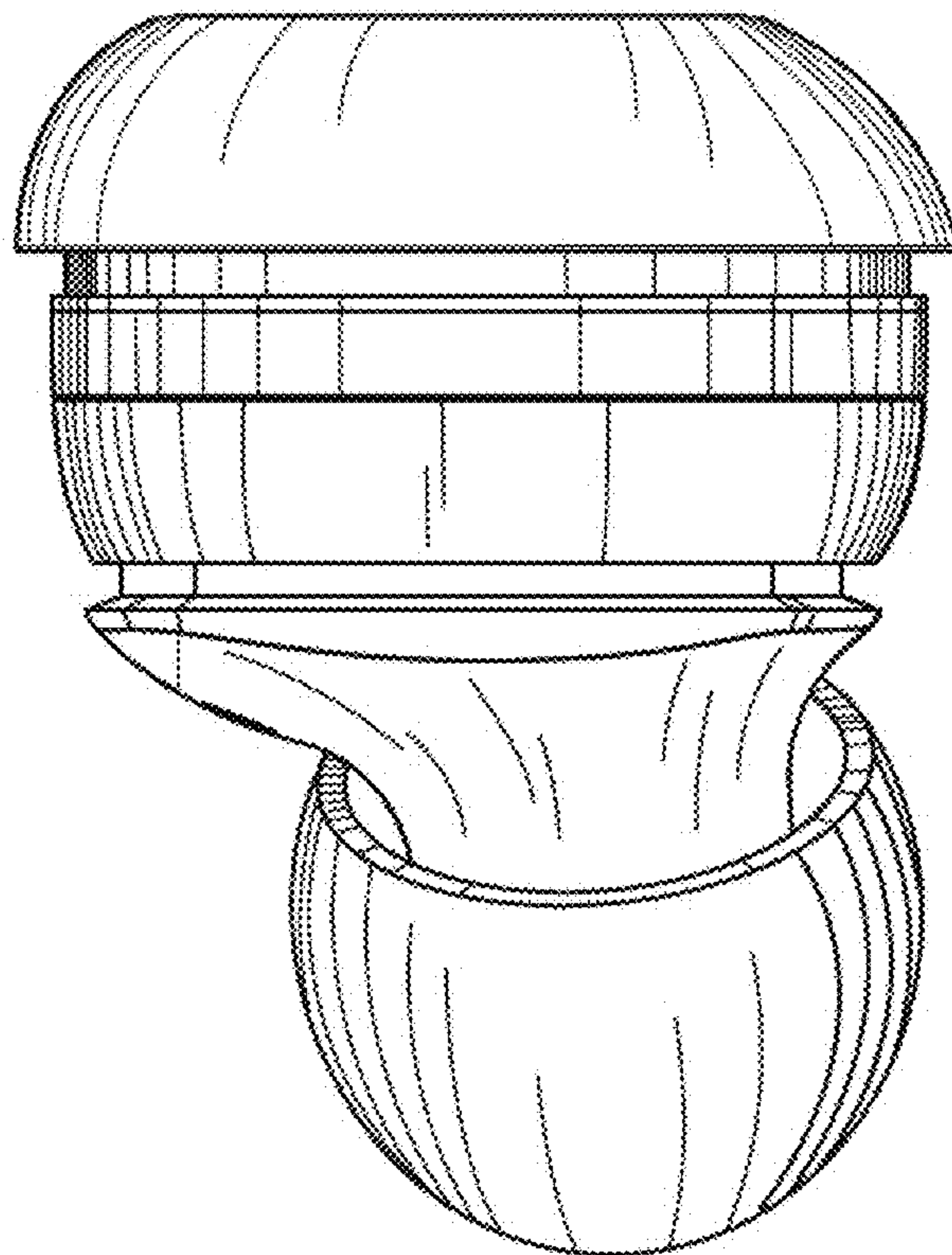


FIG. 2

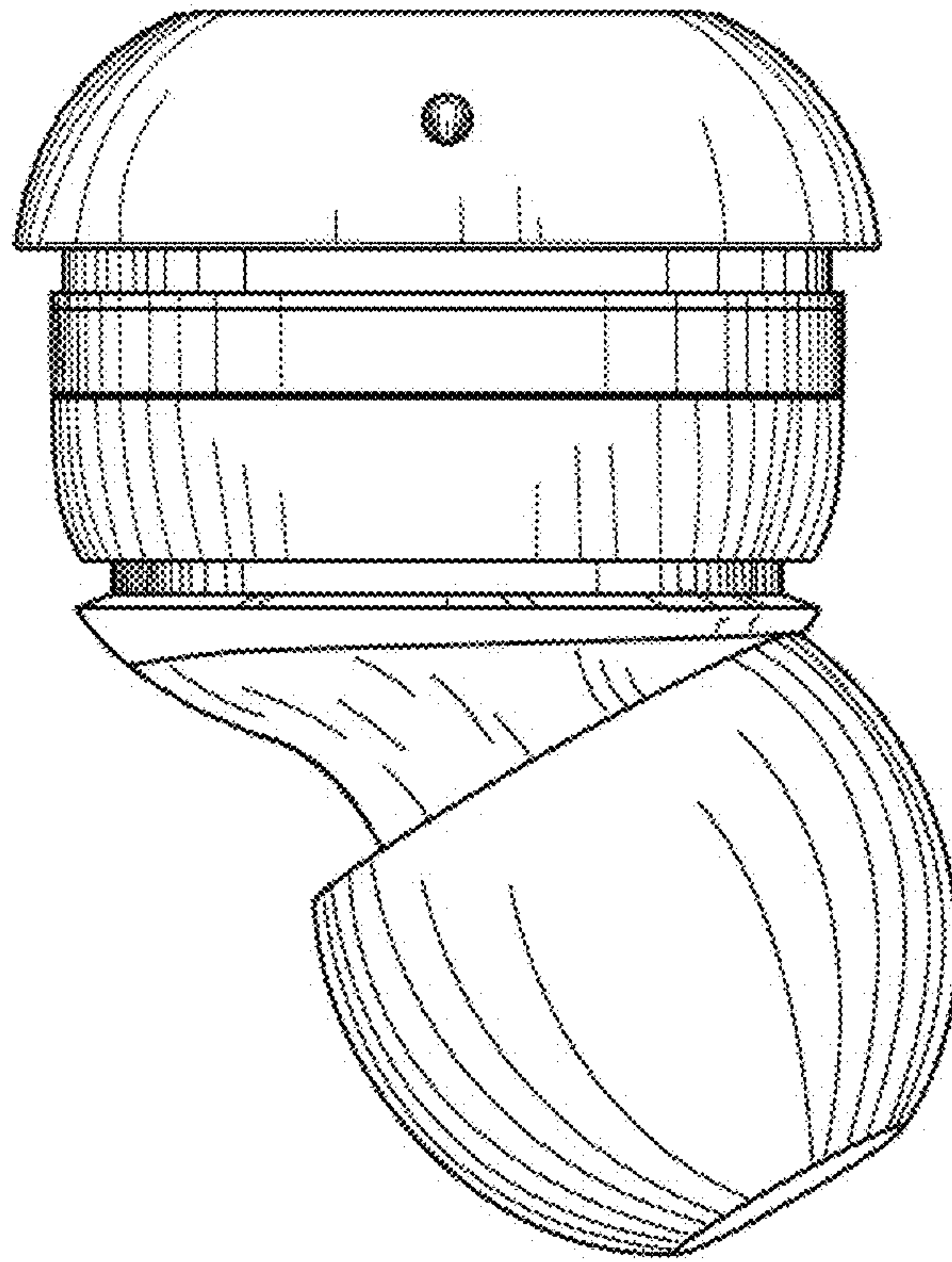


FIG. 3

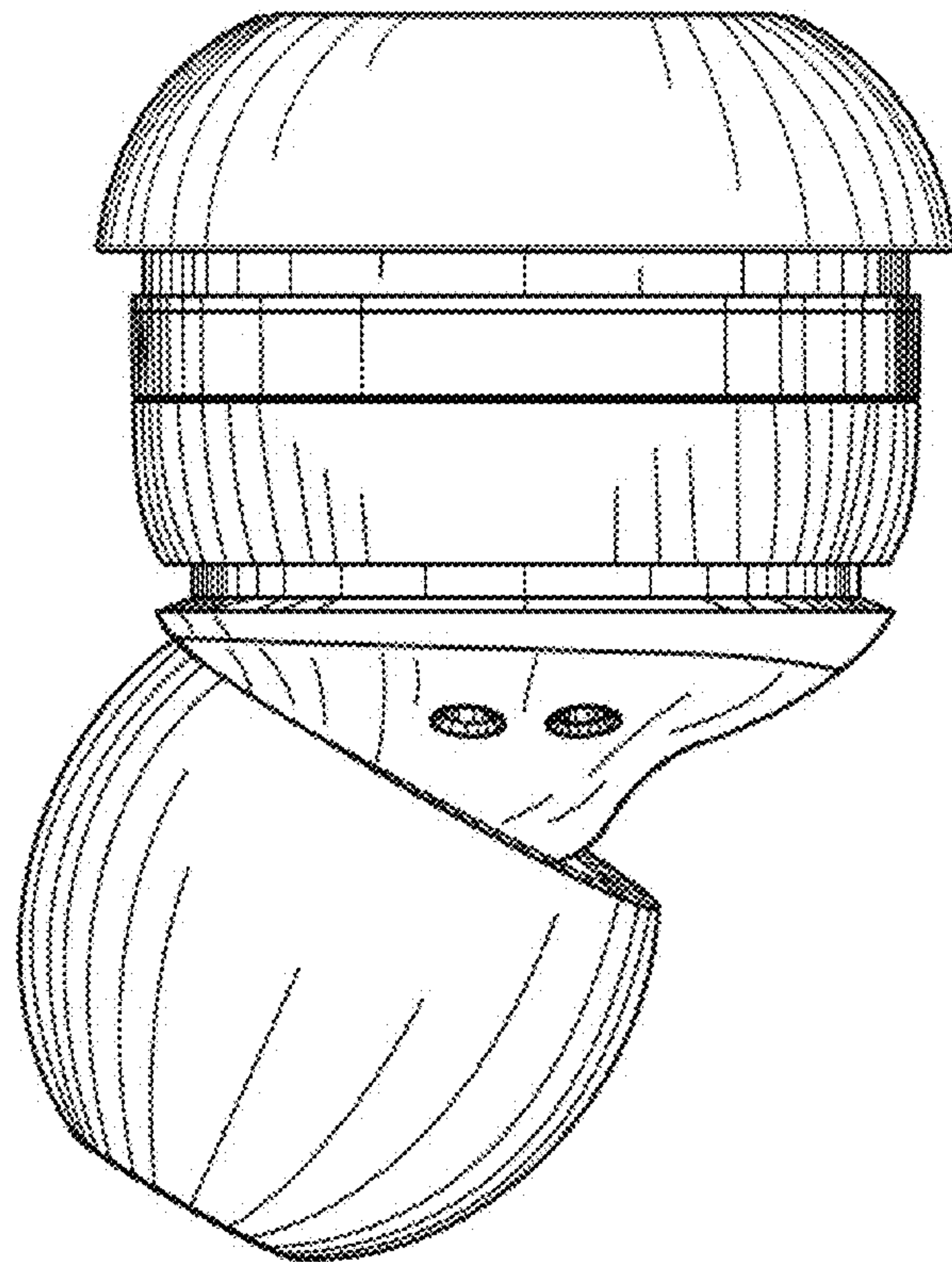


FIG. 4

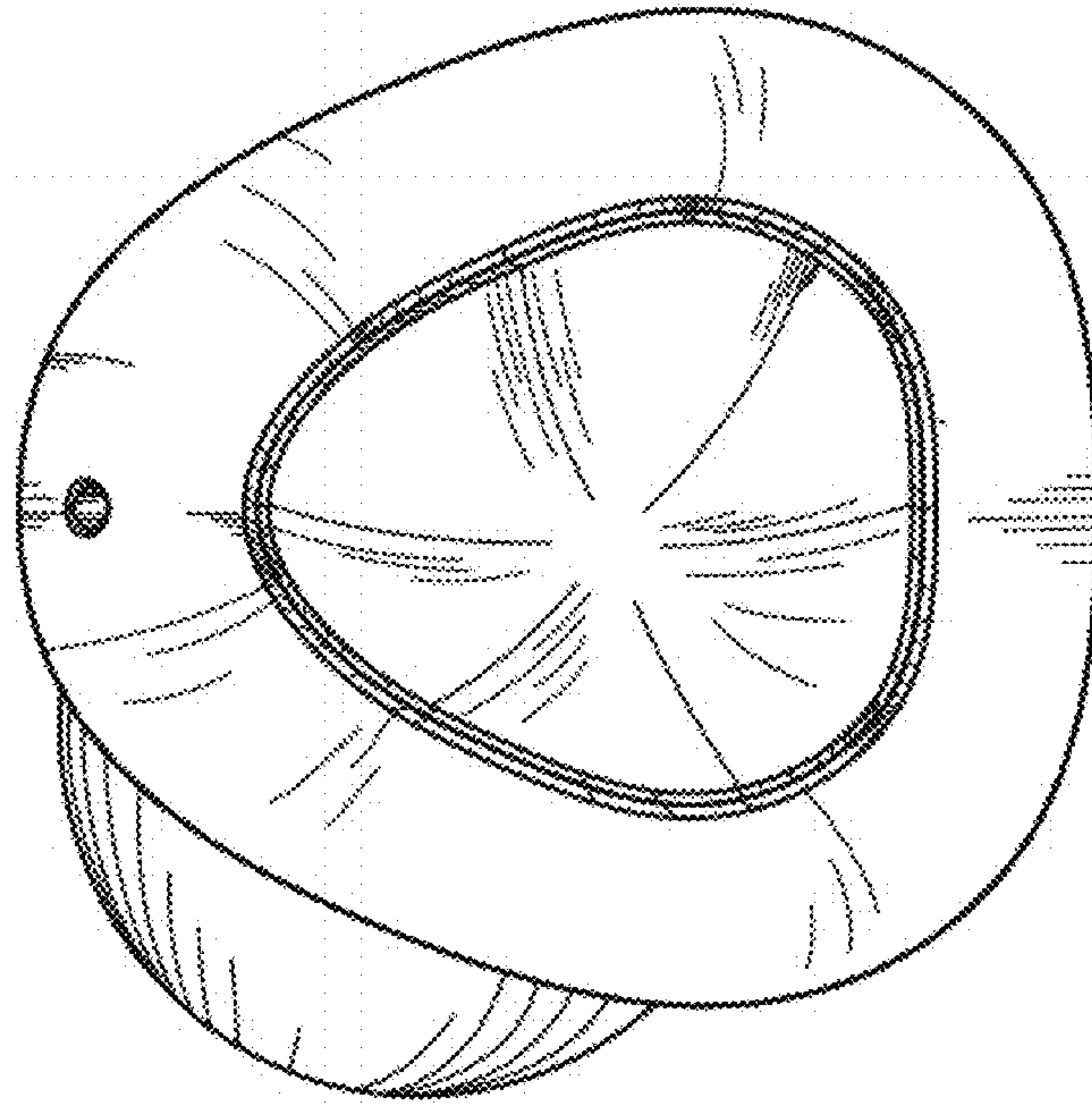


FIG. 5

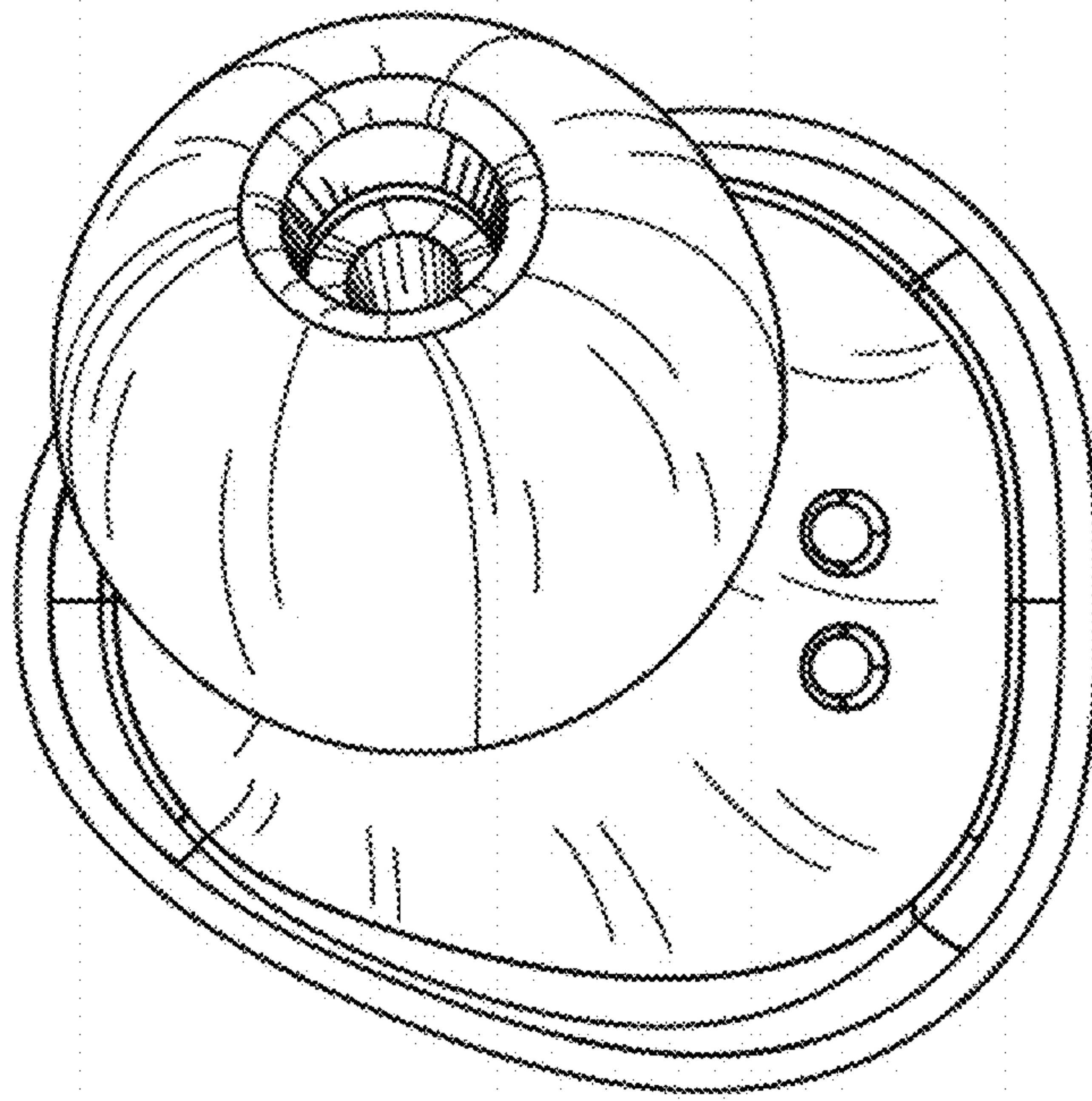


FIG. 6

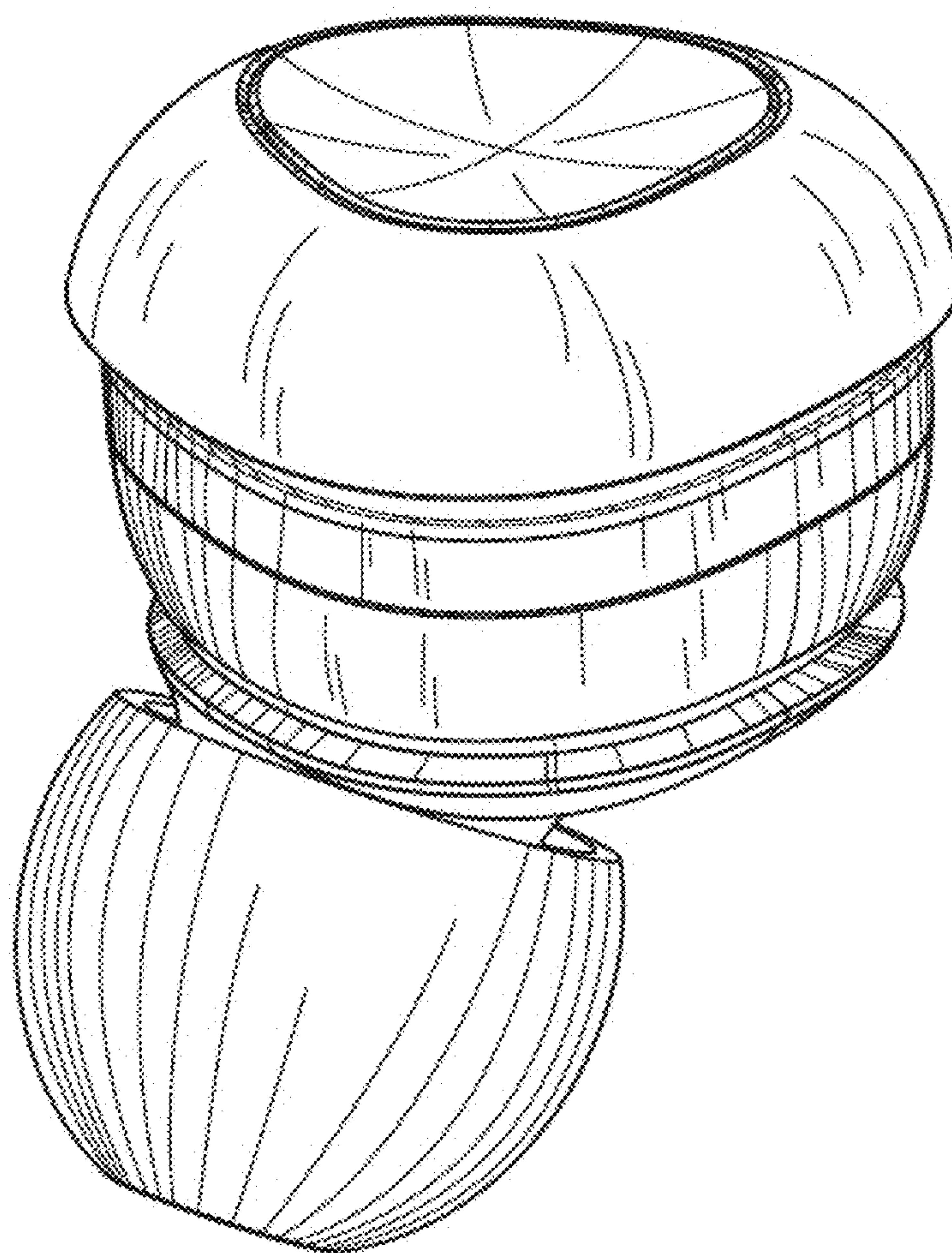


FIG. 7