



US00D841625S

(12) **United States Design Patent**  
**Degraye et al.**

(10) **Patent No.:** **US D841,625 S**

(45) **Date of Patent:** **\*\* Feb. 26, 2019**

(54) **FLEXIBLE HEAD PHONE COVER**

8,111,859 B2 \* 2/2012 Phillips ..... H04R 5/0335  
381/374

(71) Applicants: **Timothy Degraye**, Geneva (CH);  
**Liliane Huguet**, Geneva (CH)

D736,741 S \* 8/2015 Katz ..... D14/205  
2017/0118552 A1 \* 4/2017 White ..... H04R 5/0335

(72) Inventors: **Timothy Degraye**, Geneva (CH);  
**Liliane Huguet**, Geneva (CH)

**OTHER PUBLICATIONS**

(73) Assignee: **HED TECHNOLOGIES SARL**,  
Geneva (CH)

180s Urban Ear Warmer, posted at Amazon.com, posted on Nov. 17,  
2011, site visited Jun. 20, 2017, <<https://www.amazon.com/180s-21442-Urban-Ear-Warmer/dp/B005HGYYZY>>.\*

(\*\*) Term: **15 Years**

Crocheted Headphones, posted at uncommongoods.com, posted on  
Jan. 9, 2012, site visited Jun. 20, 2017, <<https://www.uncommongoods.com/product/crocheted-headphones>>.\*

(21) Appl. No.: **29/575,724**

\* cited by examiner

(22) Filed: **Aug. 29, 2016**

(51) **LOC (11) Cl.** ..... **14-01**

(52) **U.S. Cl.**  
USPC ..... **D14/223**

(58) **Field of Classification Search**  
USPC ..... D14/205-206, 223, 225, 372, 433;  
D29/112; D24/173-174

CPC ..... H04R 1/10; H04R 1/1016; H04R 1/1066;  
H04R 1/105; H04R 1/1033; H04R 1/08;  
H04R 5/033; H04R 5/0335; H04R 25/00

See application file for complete search history.

*Primary Examiner* — Barbara Fox

*Assistant Examiner* — Messina L Smith

(74) *Attorney, Agent, or Firm* — Porzio Bromberg &  
Newman P.C.

(56) **References Cited**

**U.S. PATENT DOCUMENTS**

3,249,949	A *	5/1966	Rosenberg	.....	A61F 11/06	2/209
5,551,089	A *	9/1996	Whidden	.....	A61F 11/14	128/866
6,888,950	B2 *	5/2005	Siskin	.....	A61F 11/14	181/129
7,212,645	B2 *	5/2007	Le Gette	.....	H04R 1/06	381/301
7,424,125	B2 *	9/2008	Amae	.....	H04R 5/0335	381/370

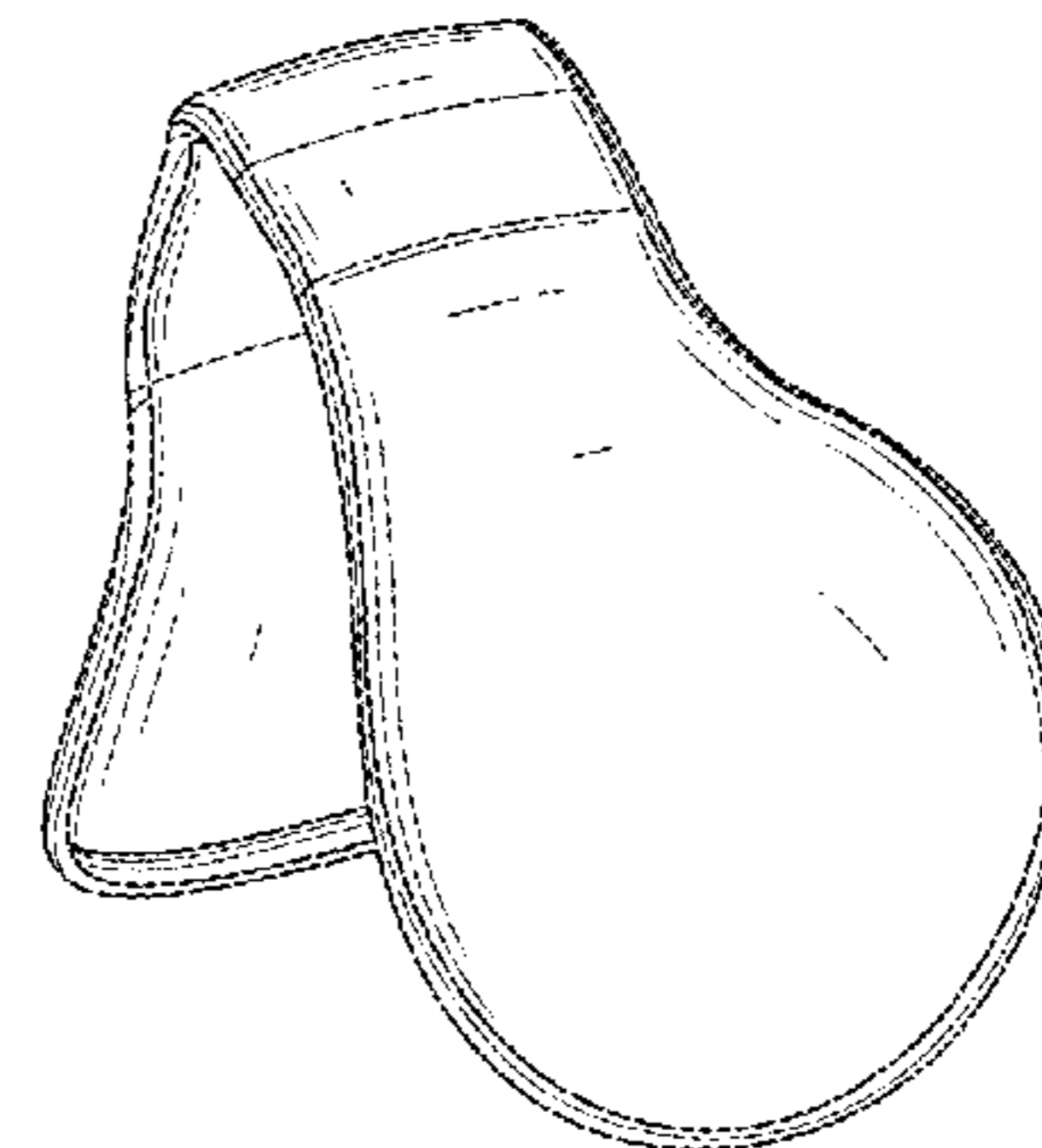
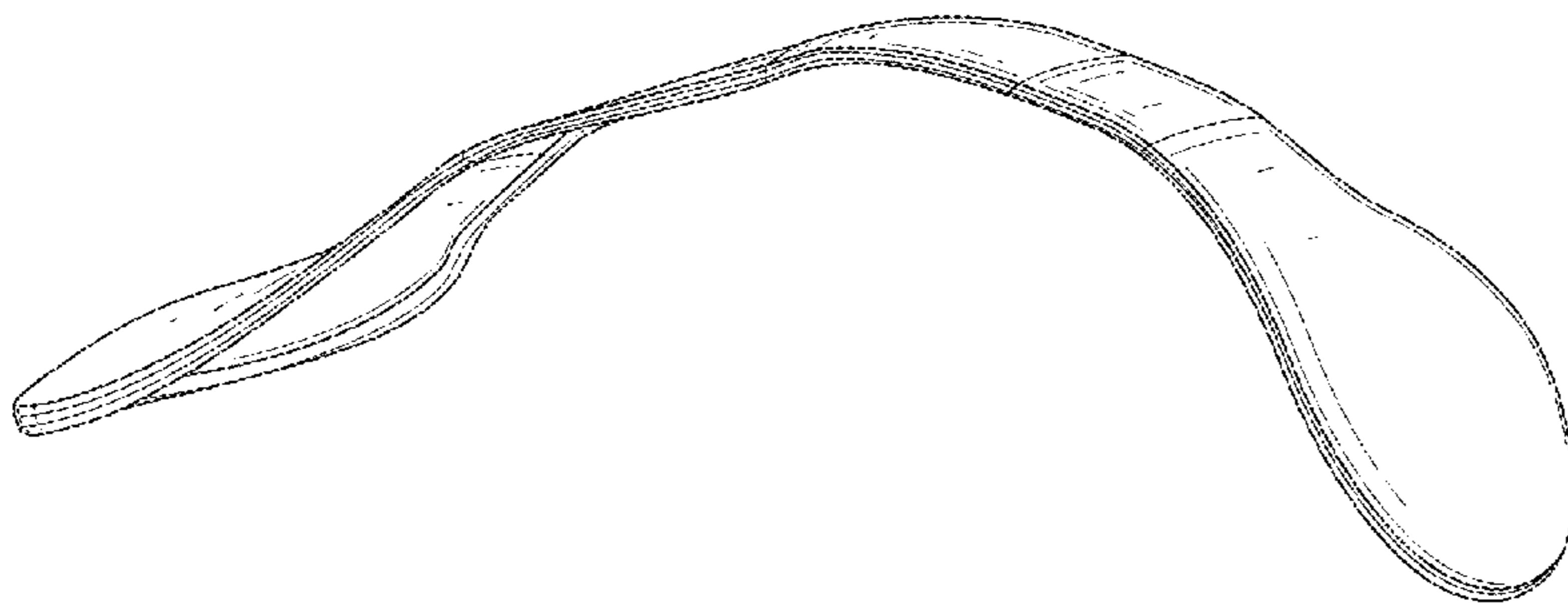
(57) **CLAIM**

The ornamental design for a flexible head phone cover, as shown and described.

**DESCRIPTION**

FIG. 1 is a perspective view of a flexible head phone cover, showing our new design, FIG. 2 is a right side view of FIG. 1, FIG. 3 is a left side view of FIG. 1, FIG. 4 is a rear view of FIG. 1, FIG. 5 is a front view of FIG. 1, FIG. 6 is a bottom view of FIG. 1, FIG. 7 is a top view of FIG. 1, FIG. 8 is a top and side view of FIG. 1; and, FIG. 9 is a bottom and side view of FIG. 1.

**1 Claim, 5 Drawing Sheets**



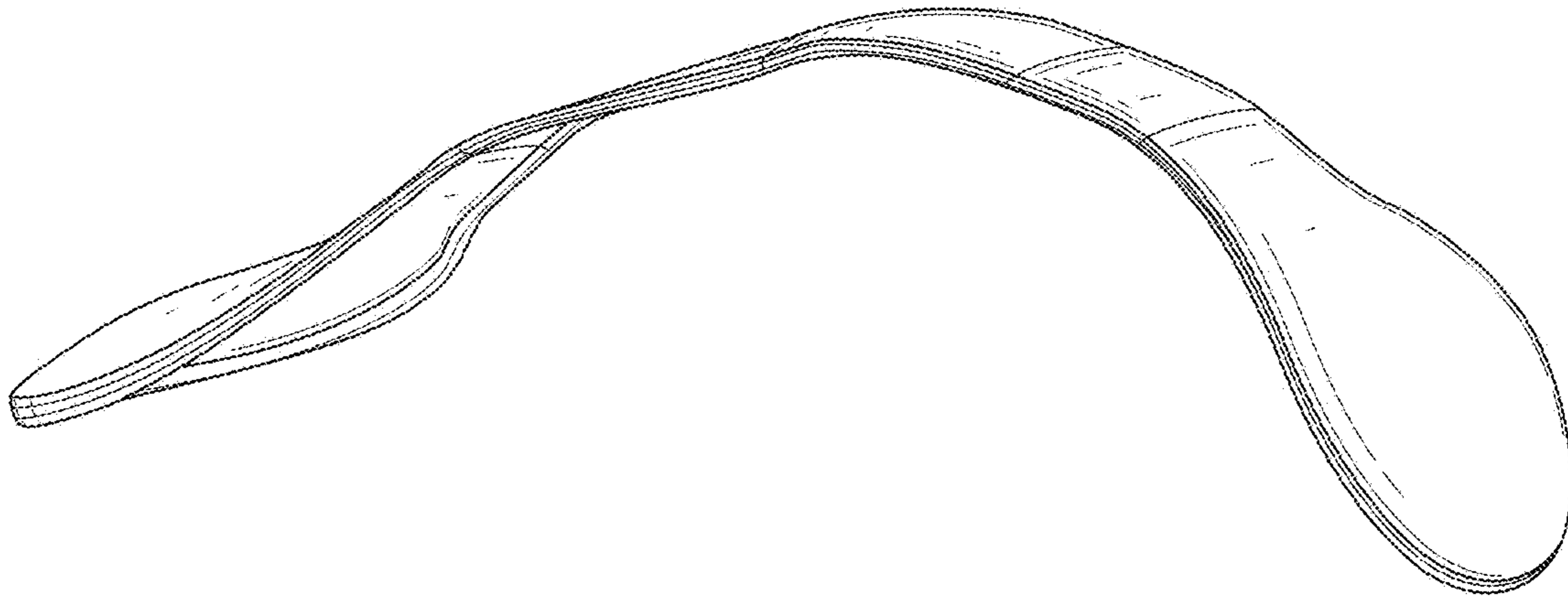


FIG. 1

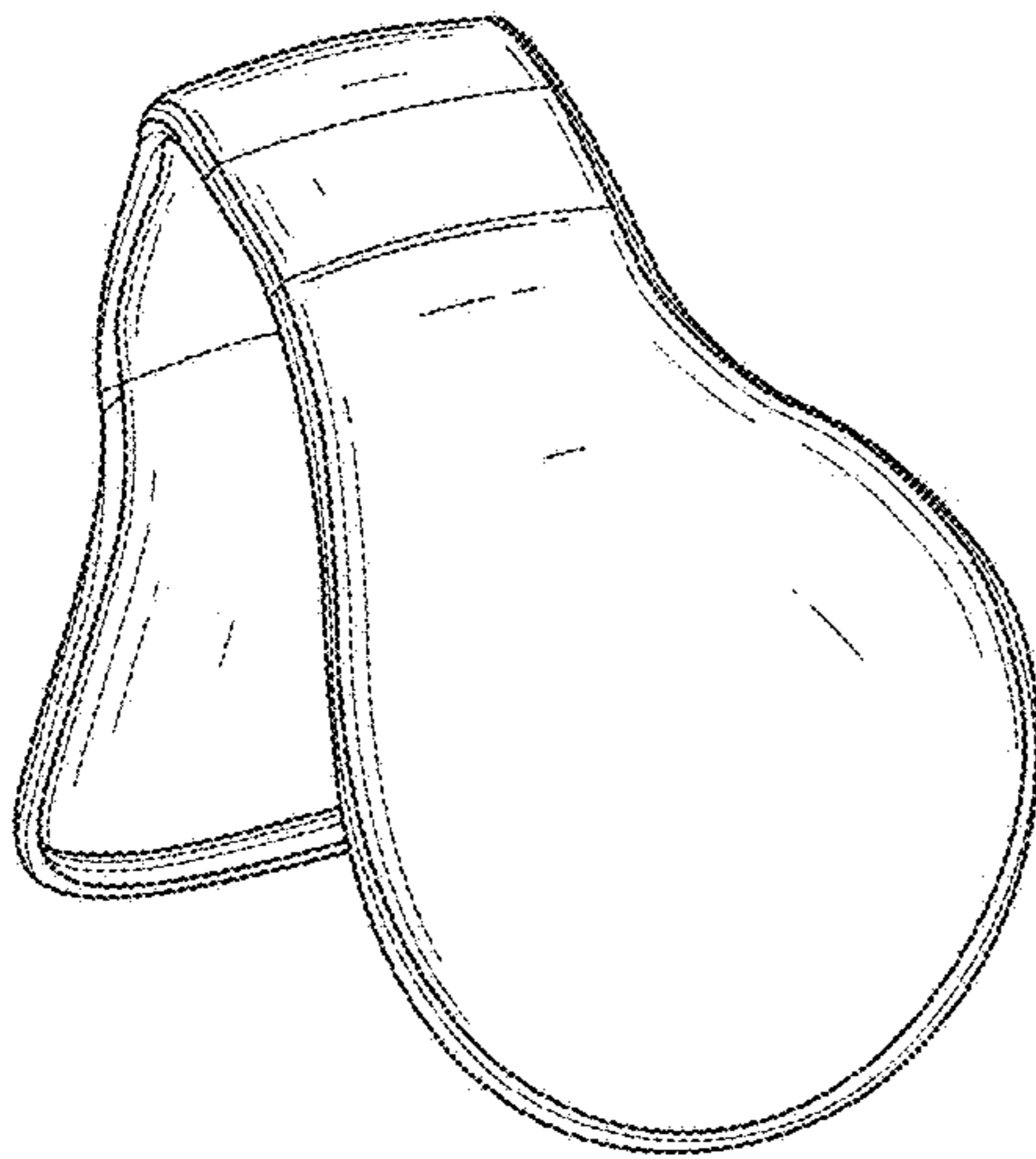


FIG. 2

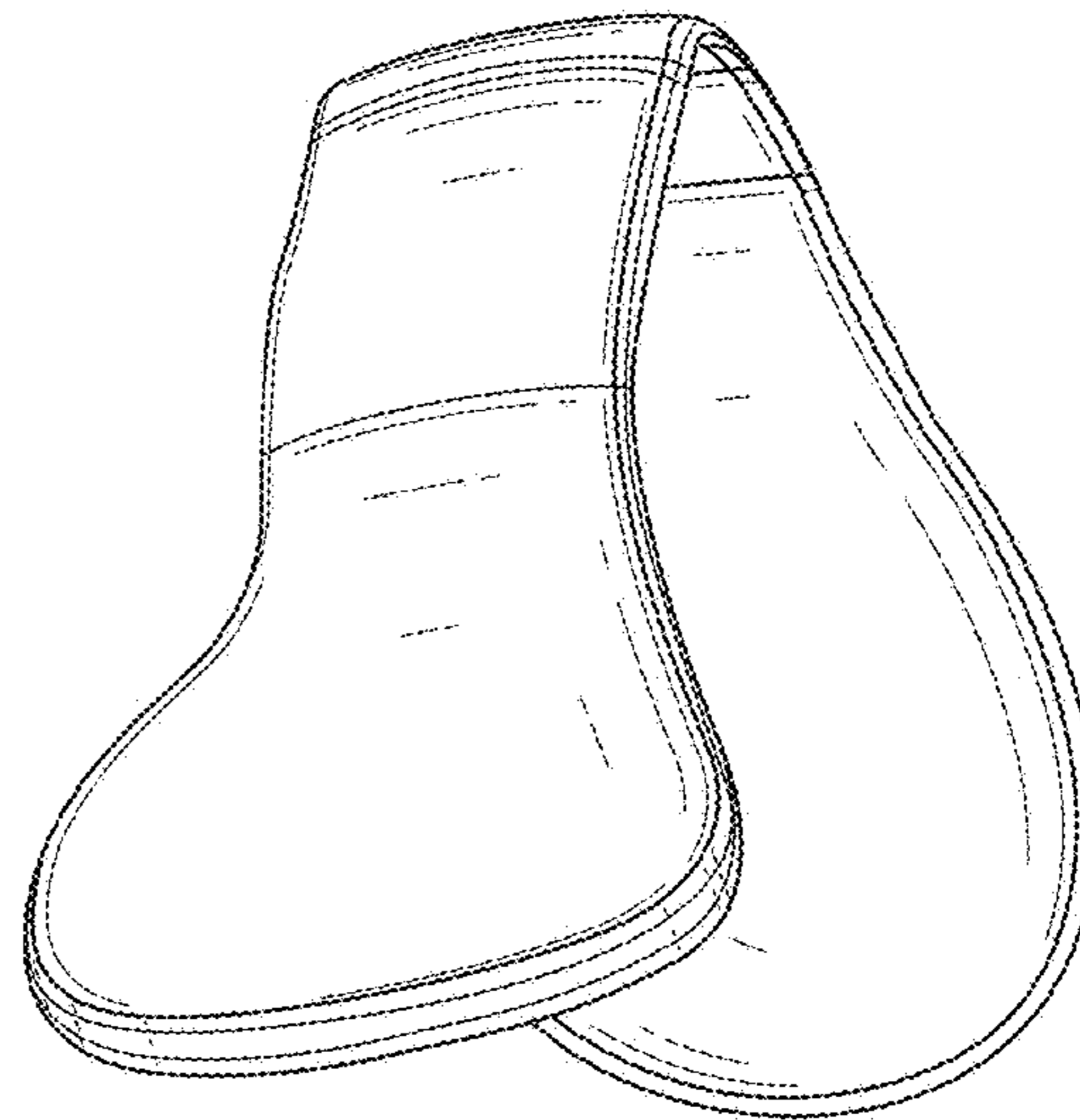


FIG. 3

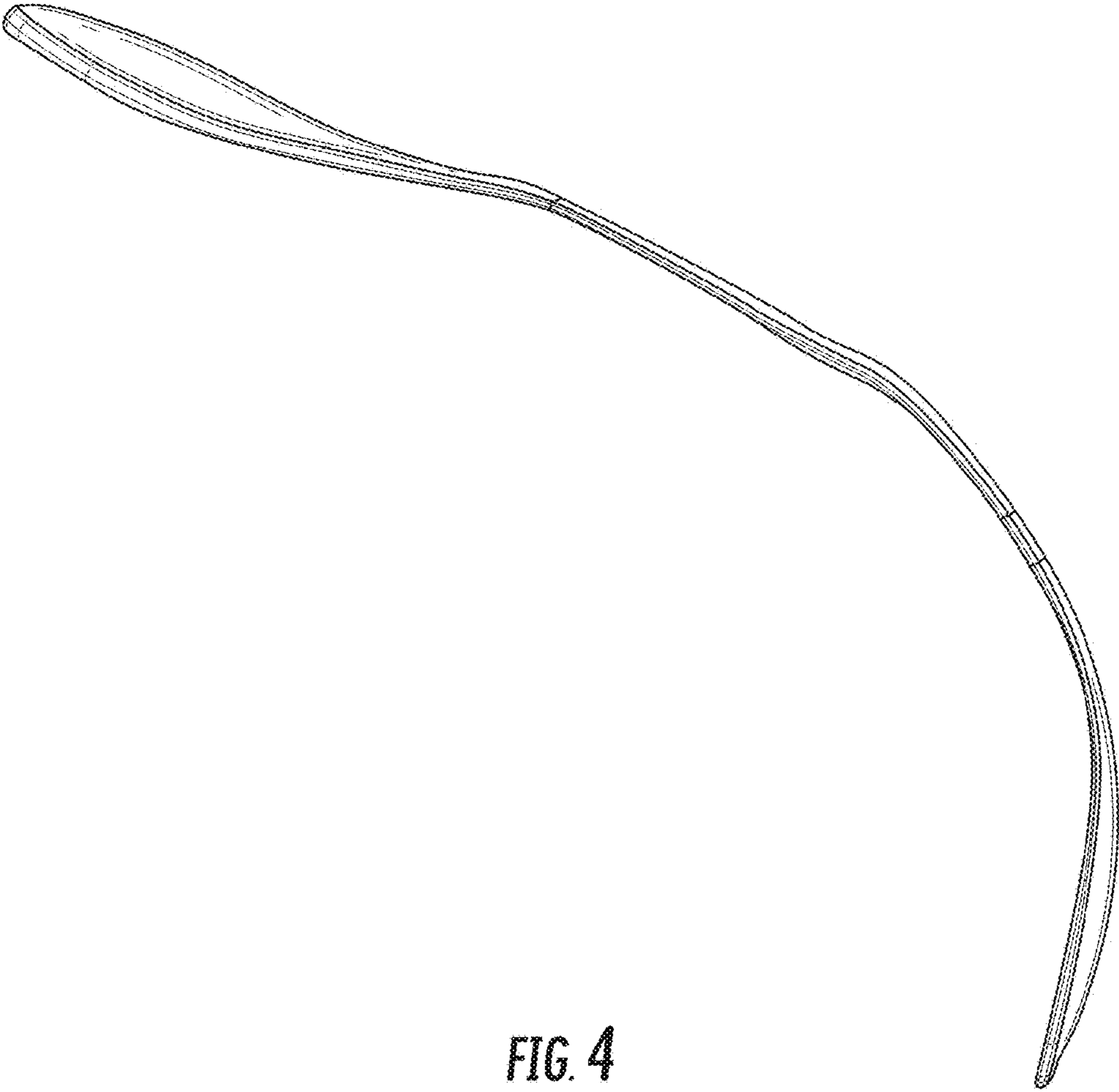


FIG. 4

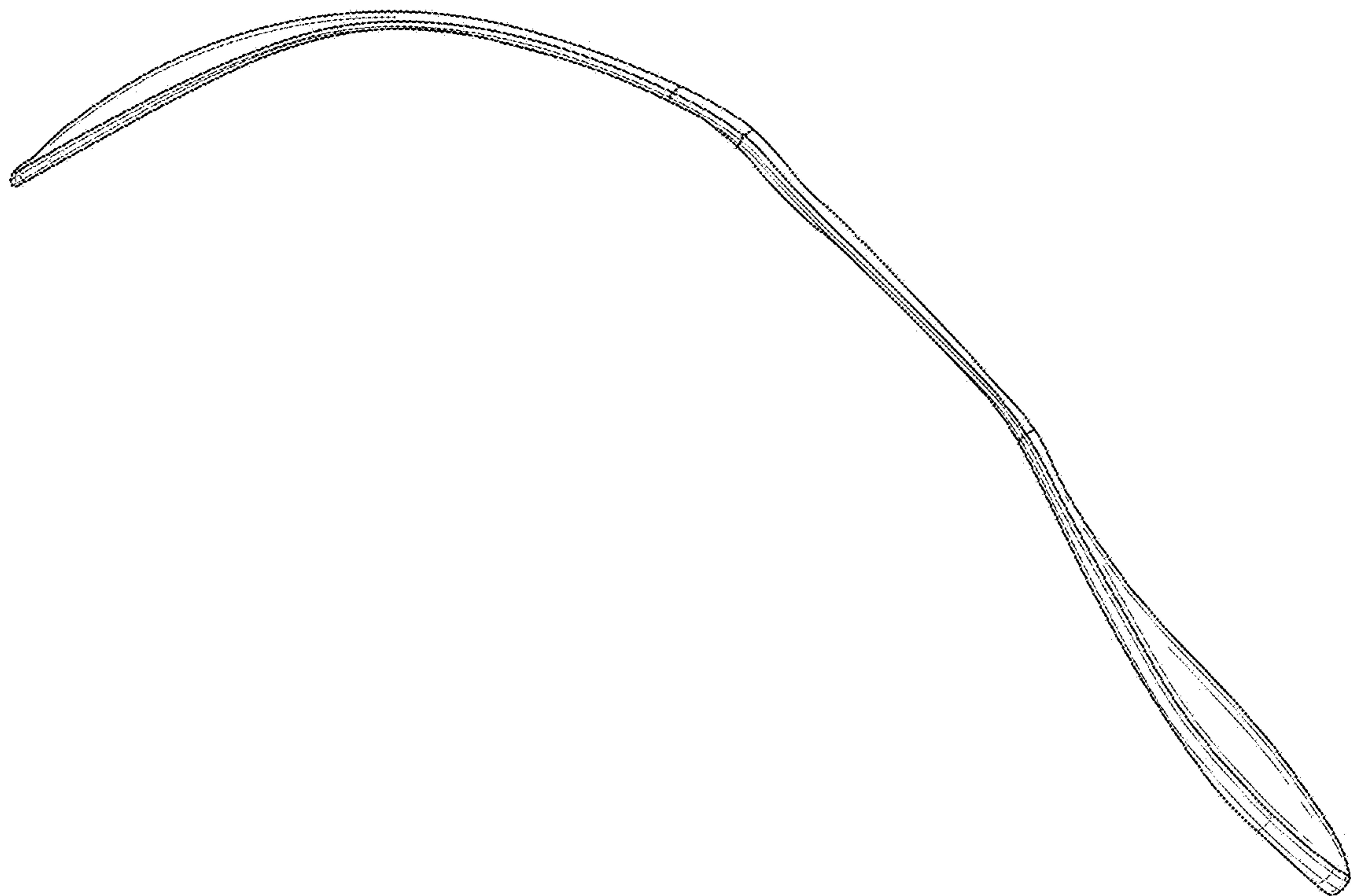


FIG. 5

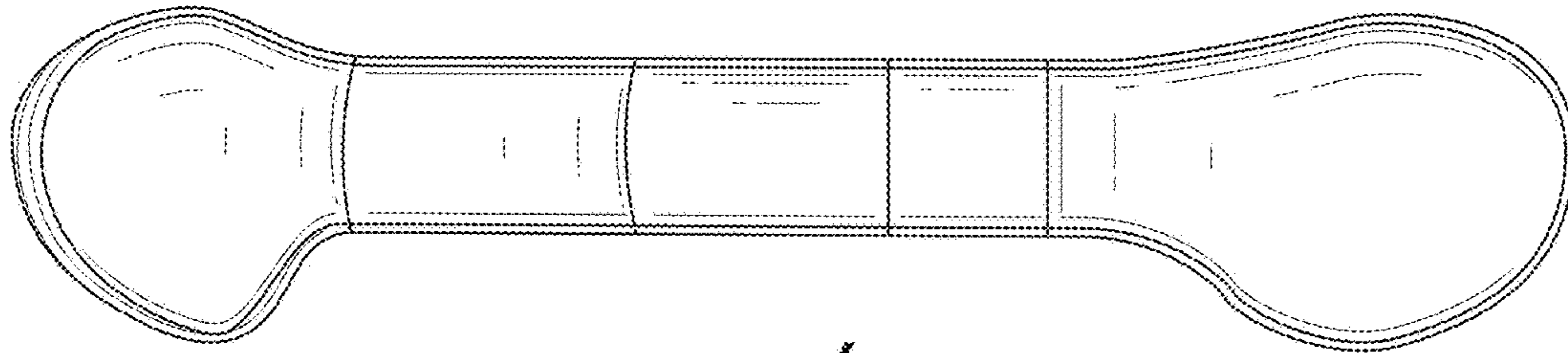


FIG. 6

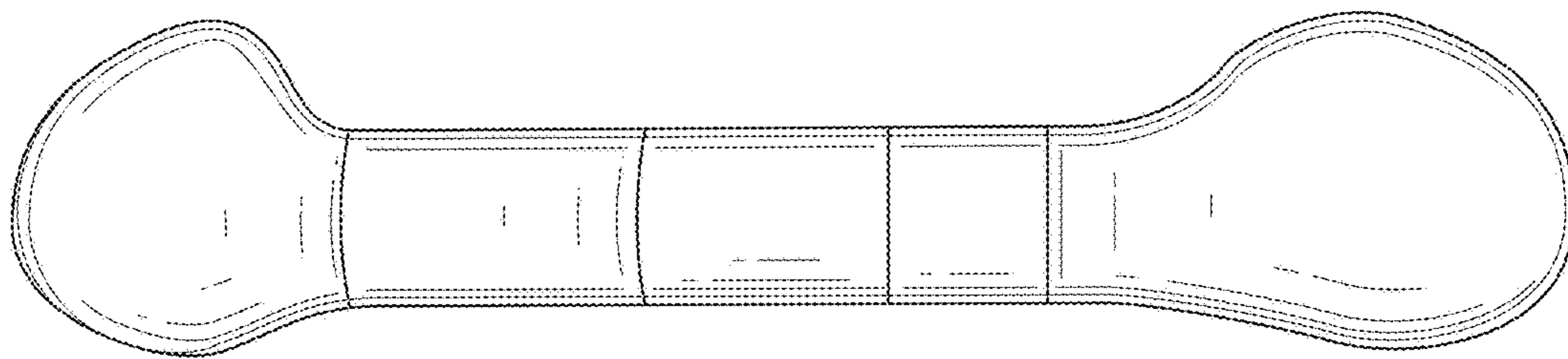


FIG. 7

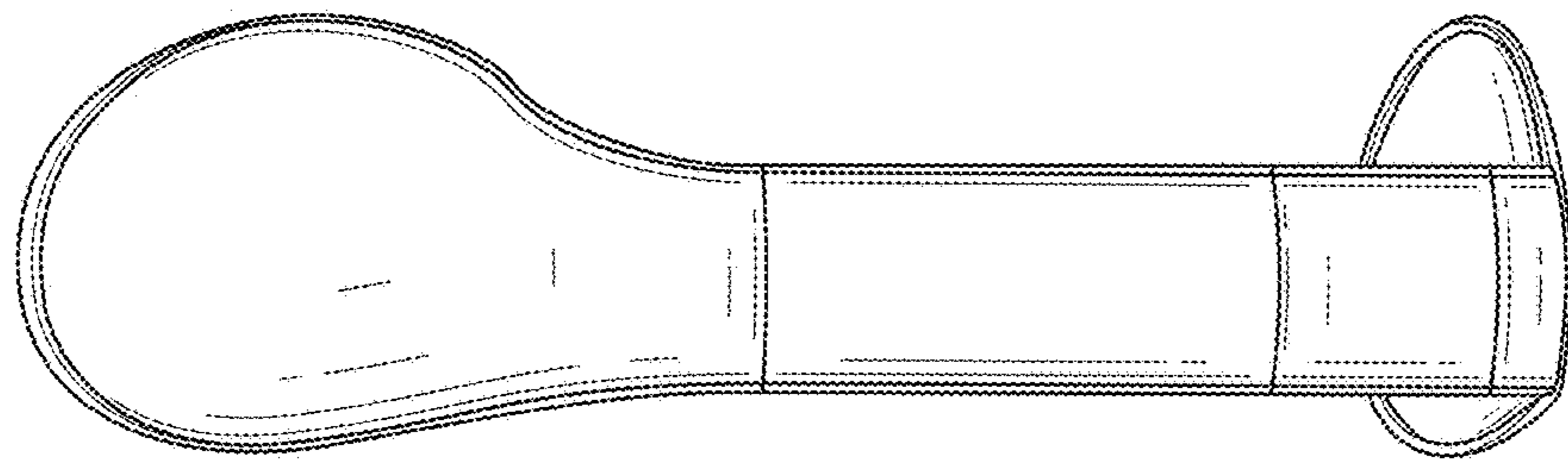


FIG. 8

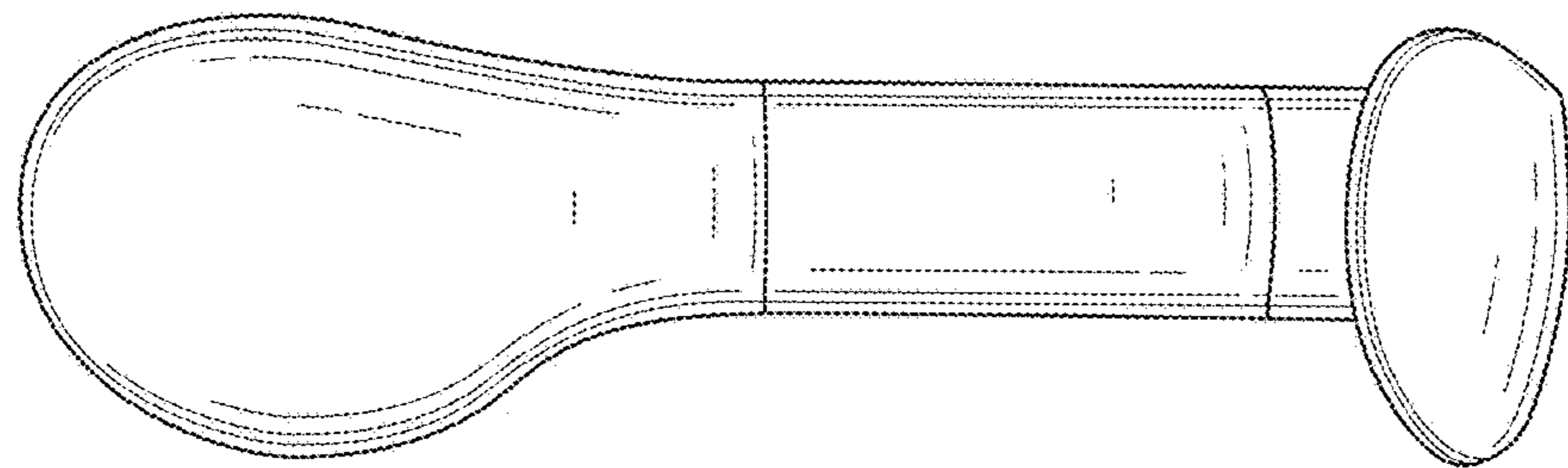


FIG. 9